



# USER MANUAL

产品安装说明书

## ZM35014PR



1/35 SCALE

# HUSKY MK III VMMD (Vehicle mounted mine detector)

“哈士奇” 型地雷探测車

### READ BEFORE ASSEMBLY

组装前请仔细阅读

1. Study and understand these instructions thoroughly before beginning assembly  
组装前请仔细阅读以下内容
2. When needed, remove photo-etch parts carefully using a modeling knife or photo etch sprue cutter, be careful not to damage or lose small parts  
请使用专业模型工具仔细去除蚀刻片或胶件上需要剪下的部分，小心不要损坏或丢失
3. Take extra care in handling photo etch parts in order to avoid injury  
在处理蚀刻片的部分时请格外小心，以避免伤害
4. Apply instant cement sparingly to photo etch parts were instructed  
用强力快干胶水粘合蚀刻片零件和金属轴，过量使用快干胶水可能导致可动零件粘住，小心涂胶
5. Tools recommended(not included in kit): Plastic and instant cements, sprue cutters, long nose pliers, modeling knife, small files, tweezers, pin vise & scissors. Soft cloth and sandpaper will also assist in construction  
推荐模型工具(自备): 胶水、水口剪刀、长咀钳、刀片、锉刀、镊子、钳、钻、剪刀、瞬间快干胶  
软布与砂纸同时也应该是必备工具，请使用塑料胶水和油漆(模型内不含)
6. Glue and paint are not included in the kit. Use plastic cement and hobby paints only. Color guide for purchasing paint is included in the kit.

### ICON INSTRUCTION

图标说明



Optional  
选择



Bending  
折弯



Do not stick  
不涂胶水



Decal  
水贴纸



Remove  
切除



Drilling  
钻孔

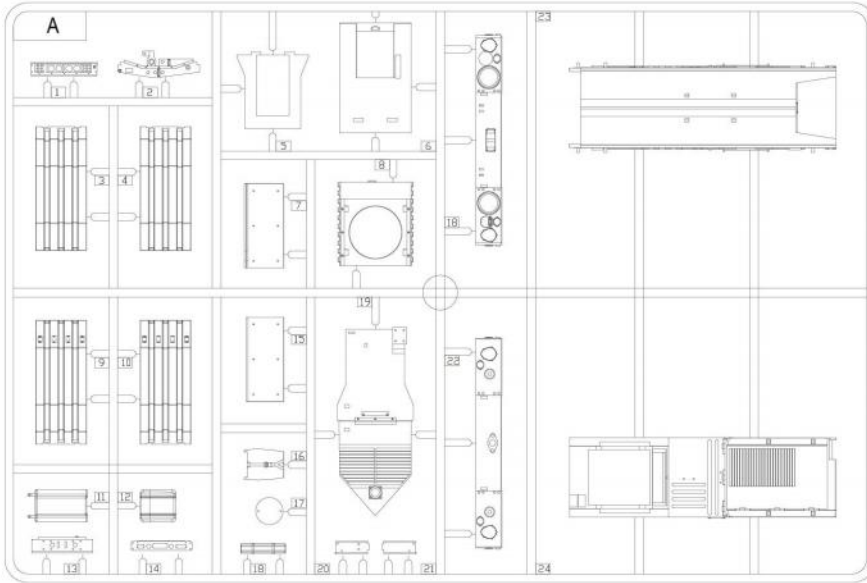


Fill  
填补

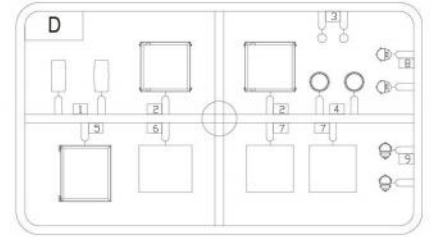


Weight  
配重

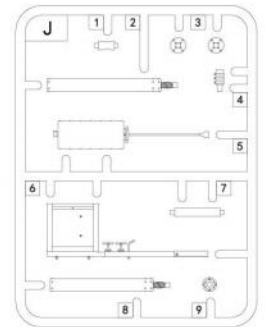
Ax1



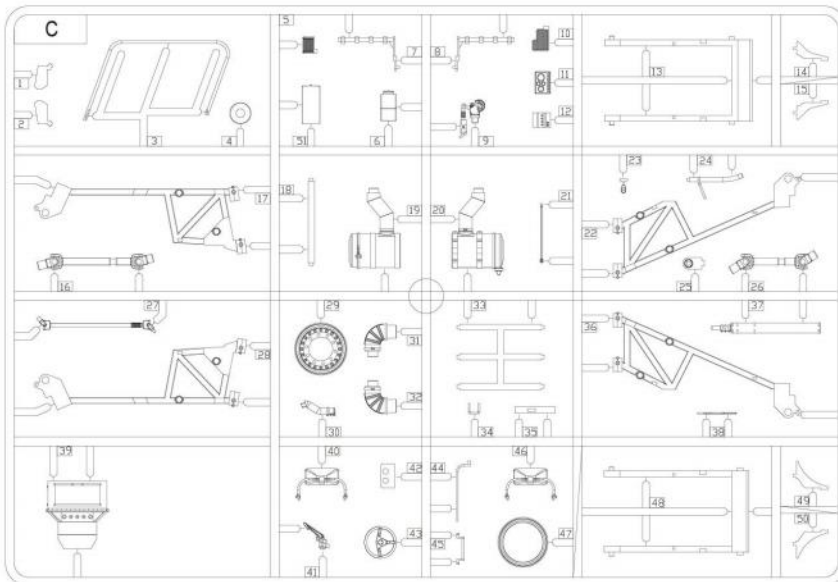
Dx1



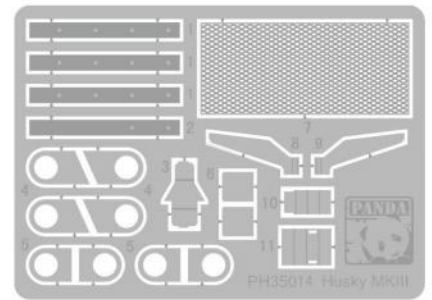
J



Cx1



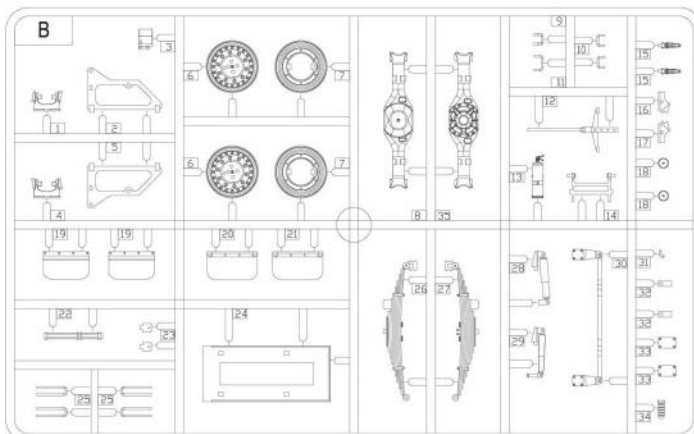
PEX1



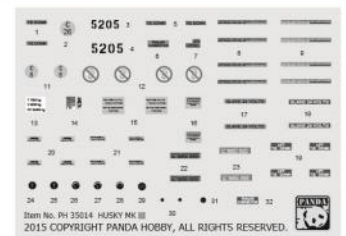
轮胎X5  
 TyreX5



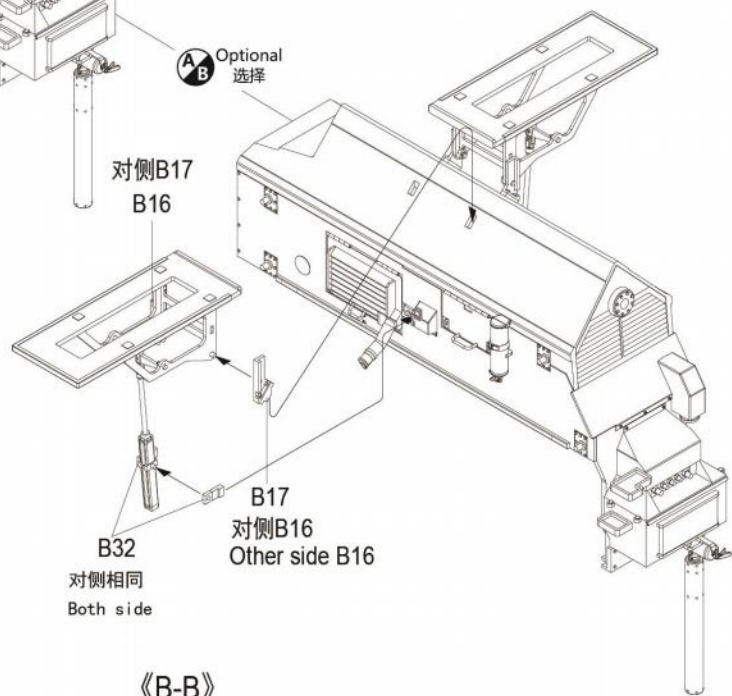
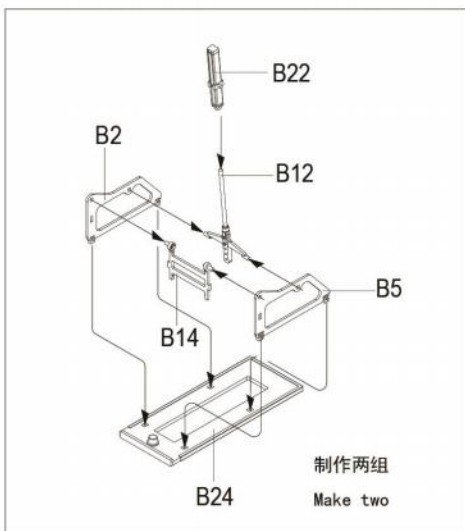
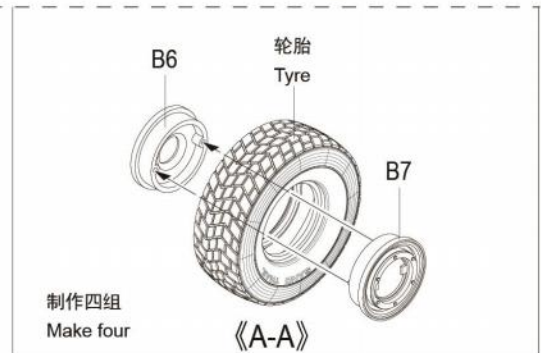
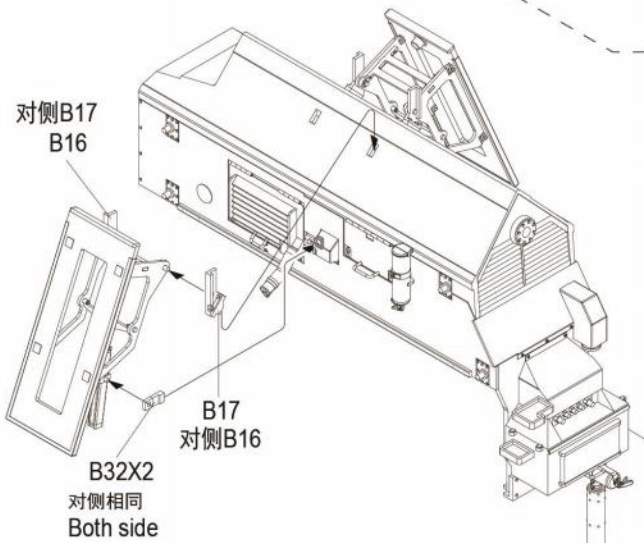
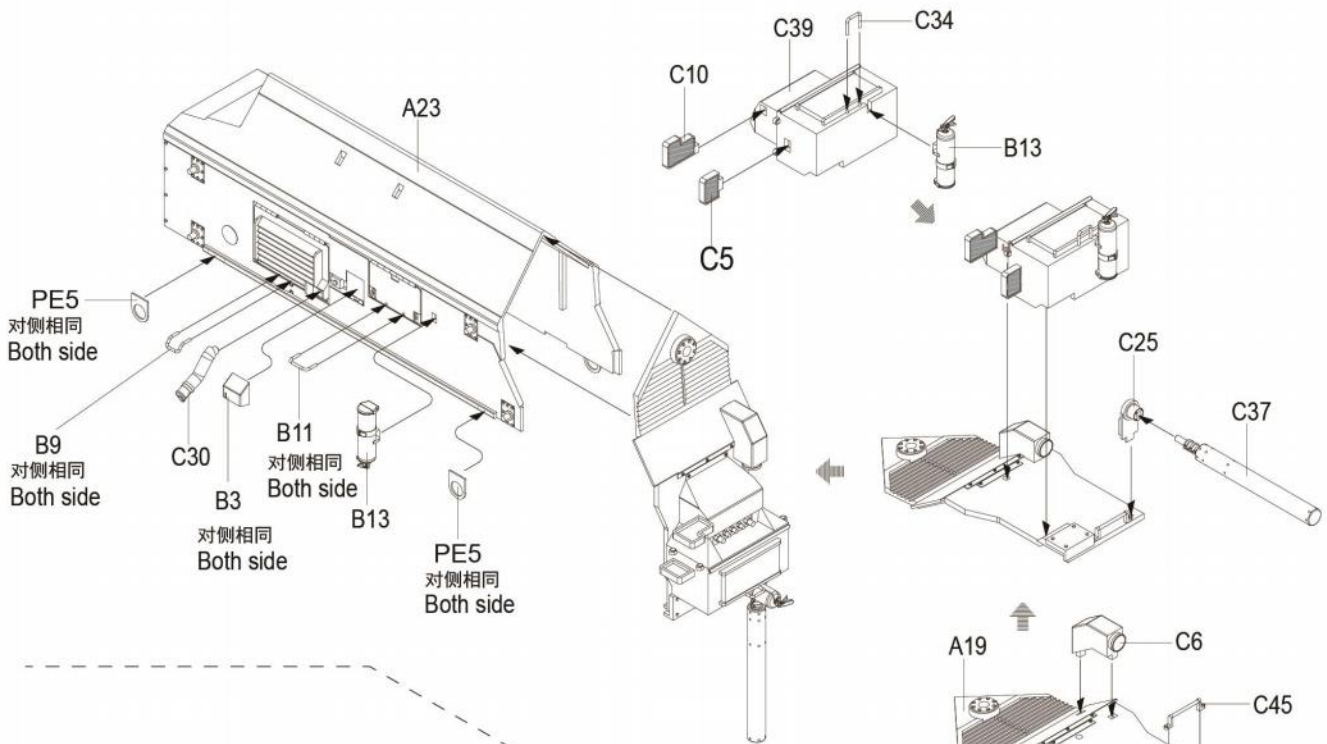
Bx2



DECALX1

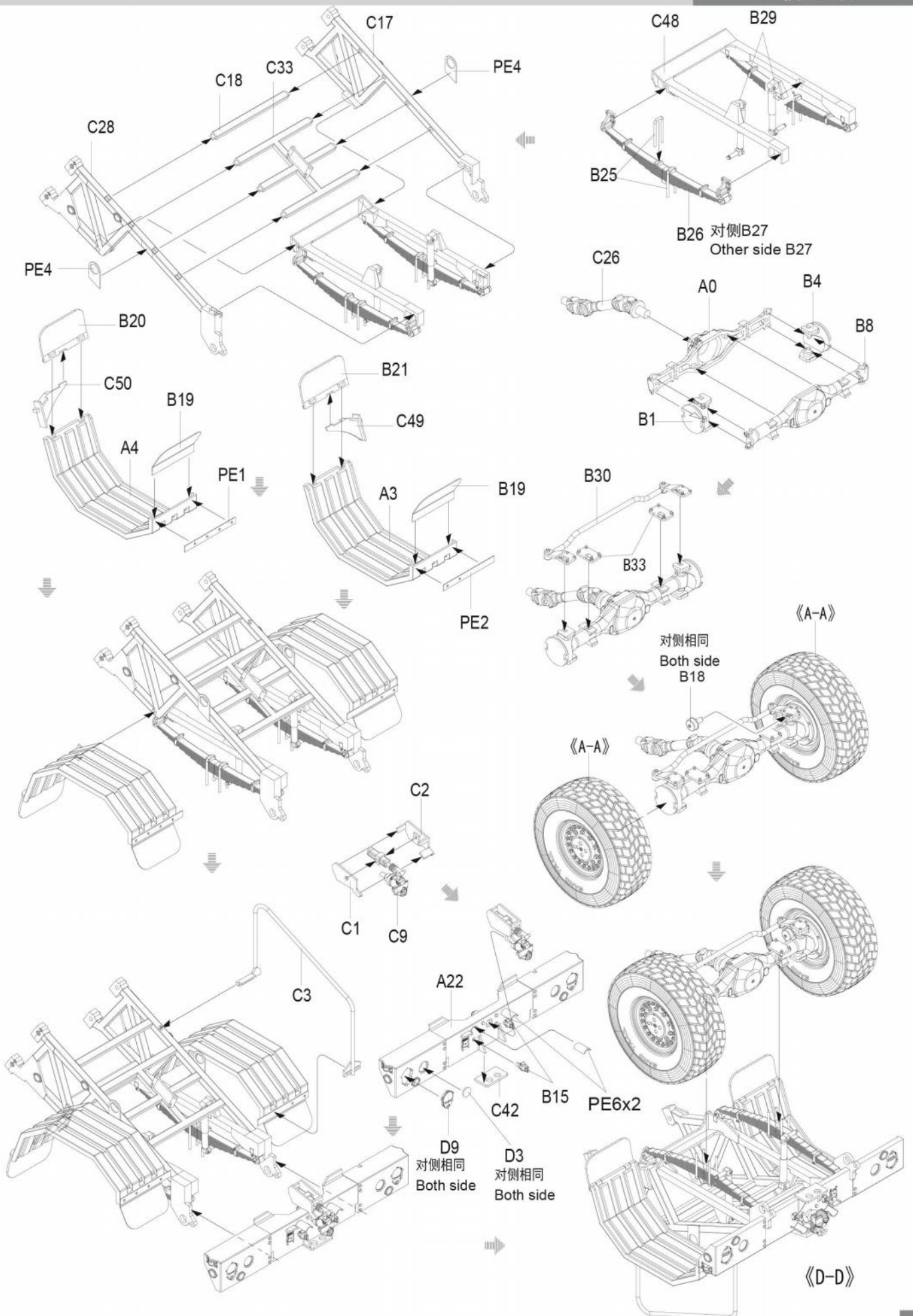


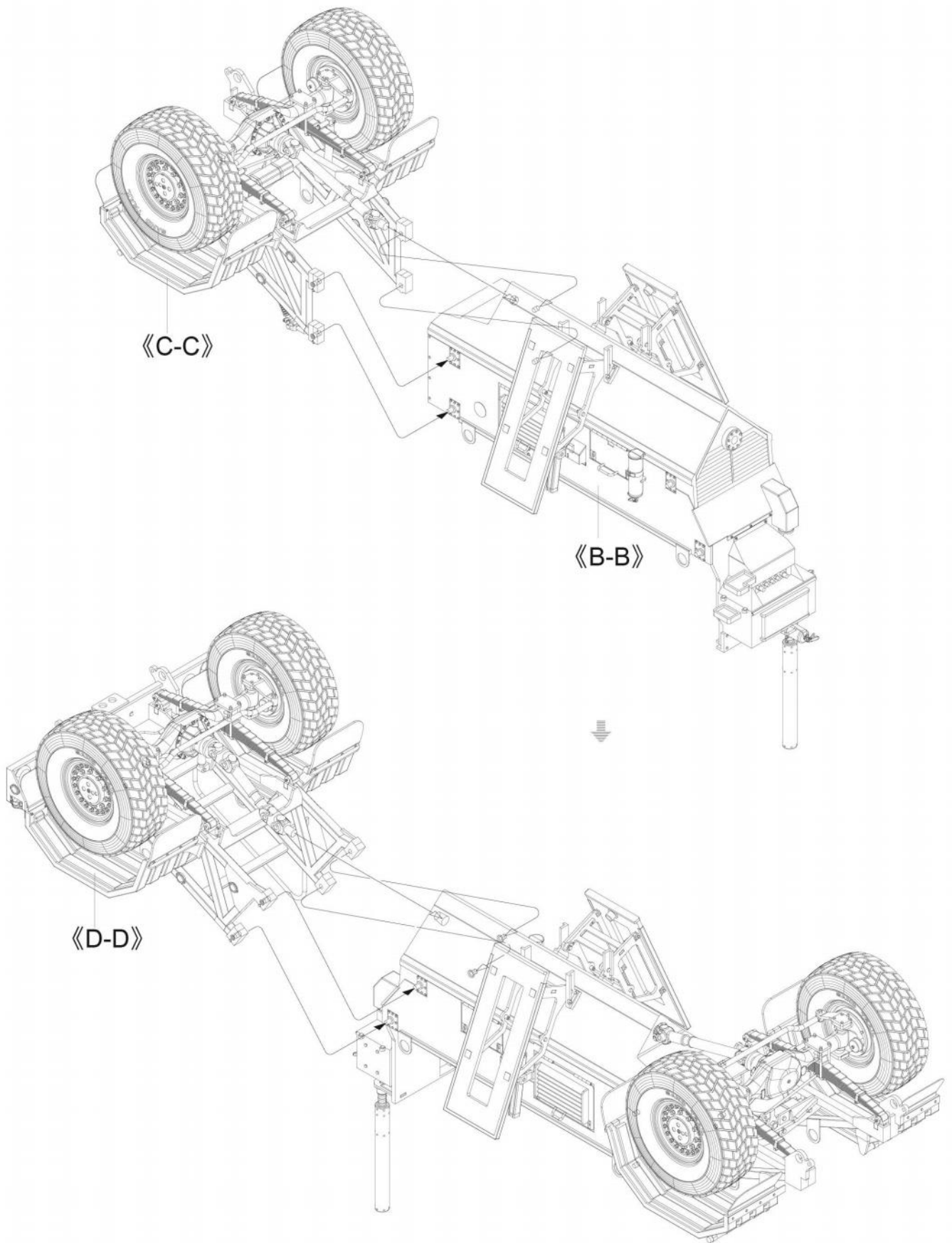


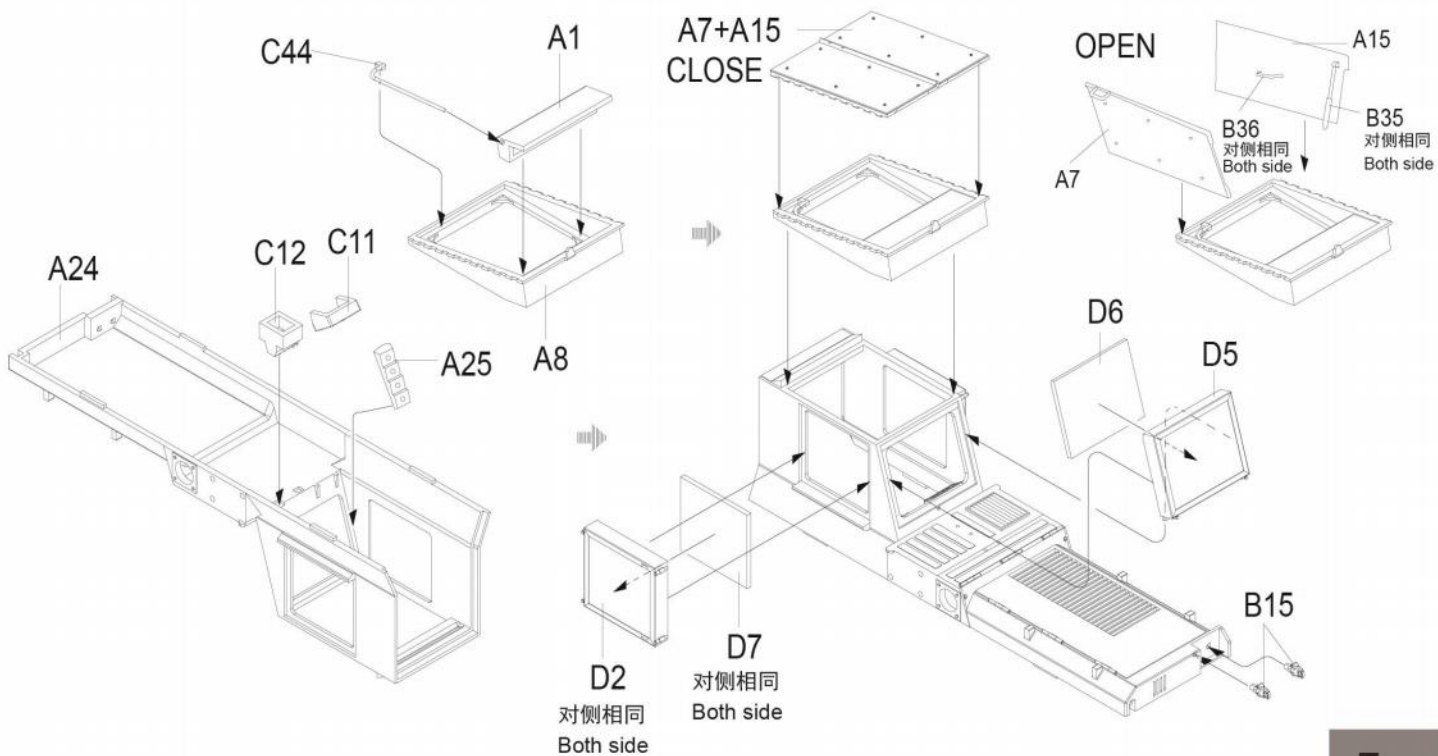
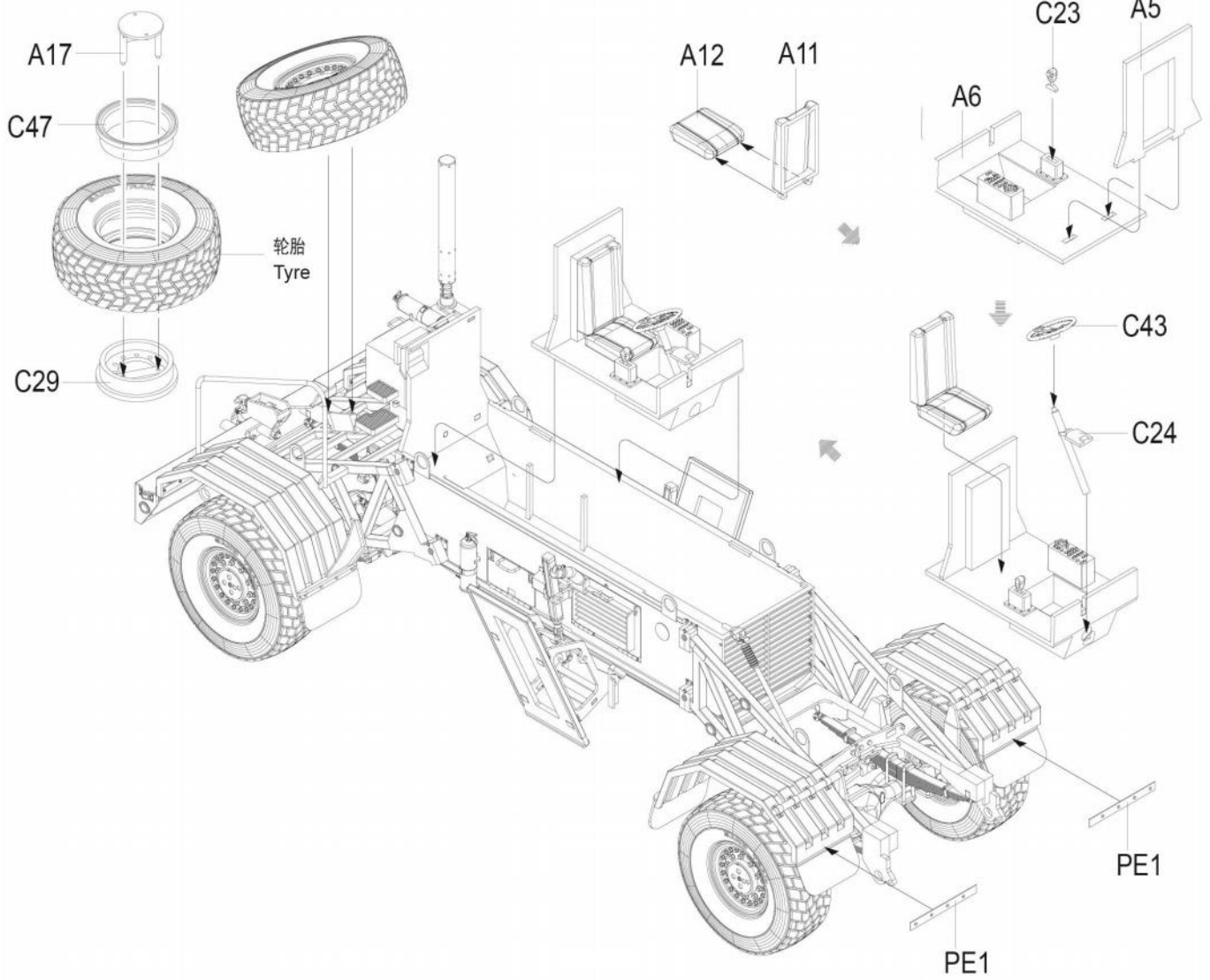




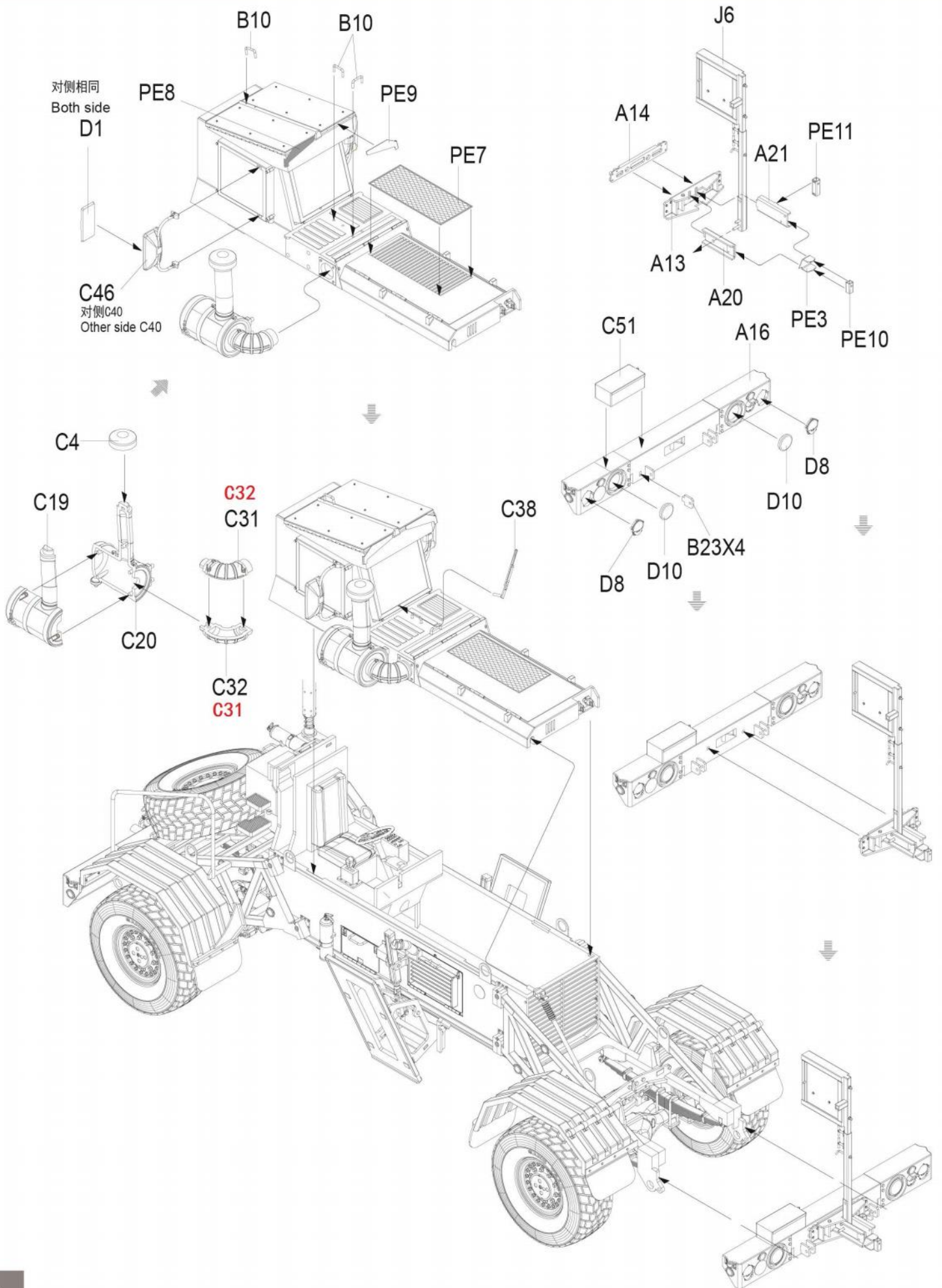














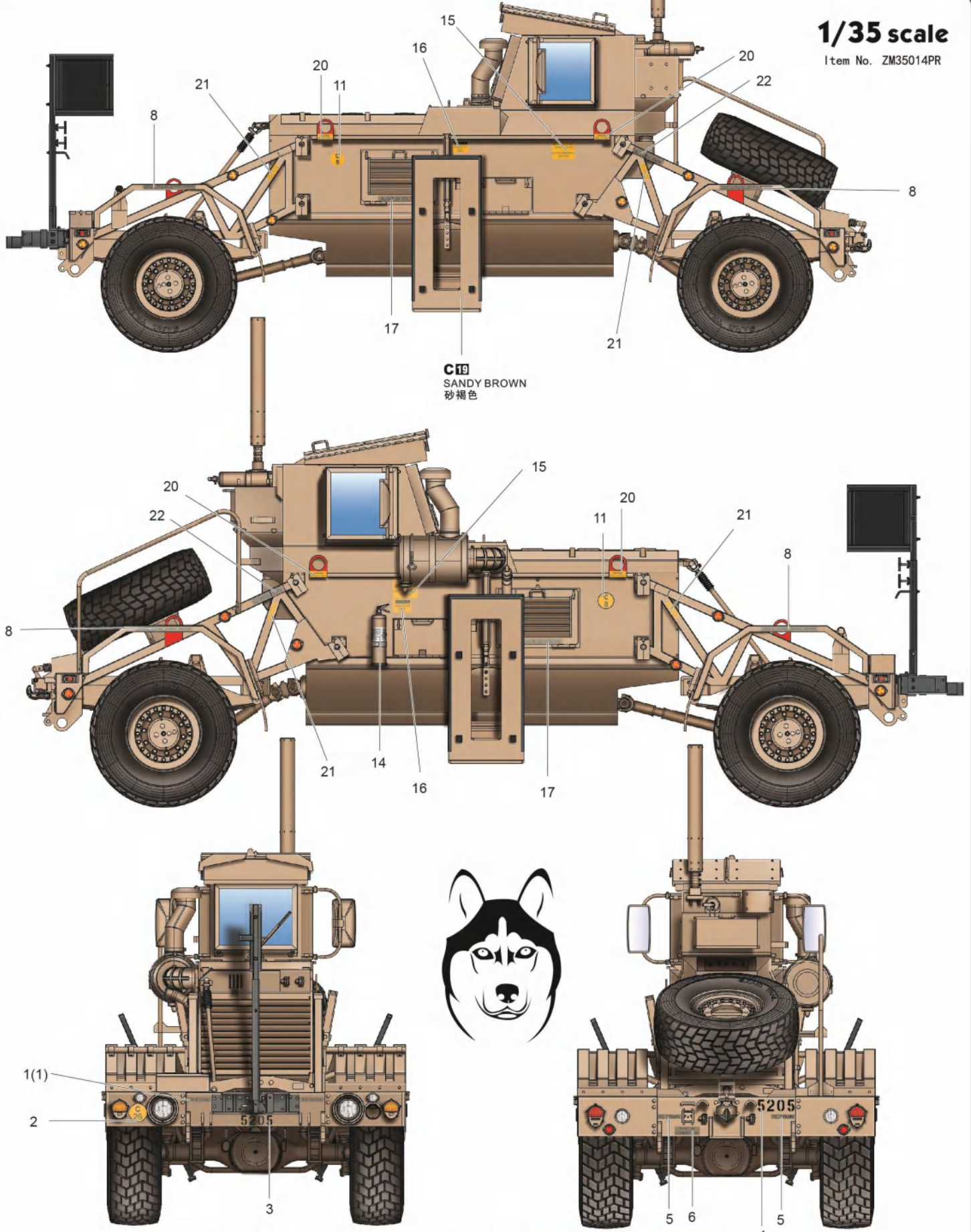
# HUSKY MK III VMMD (Vehicle mounted mine detector)



“哈士奇” III型地雷探測車

1/35 scale

Item No. ZM35014PR



**C19**  
SANDY BROWN  
砂褐色



# HUSKY MK III VMMD

(Vehicle mounted mine detector)

“哈士奇” III 型地雷探测车

CLASSICAL SCALE SERIES

1/35 scale

Item No. ZM35014PR

