

# Instruction

模型拼裝說明書

1:35 Scale



# AH-6J/MH-6J

## Little Bird Nightstalkers



美国AH-6J/MH-6J“小鸟”直升机

ZM50003

# READ BEFORE ASSEMBLY

在組合您的模型之前，請充分閱讀本冊說明書。組合模型您需要如下物品（需另購）：模型膠水；一把模型鉗或一把用于將零件從框架上切下的模型筆刀。筆刀同樣可以用來修整零件的合模綫。祝您制作愉快！

Before assembling your model kit, read through these instructions carefully. To assemble this kit, you will need Plastic glue ( not include ). A pair of side cutter or a sharp modelling knife is required for removing parts from the frame. Plastic mould lines can be removed with the modelling knife.



塗色  
Painting



對側  
Opposite



隨愛好選擇  
Optional



鉆孔  
Make Hole

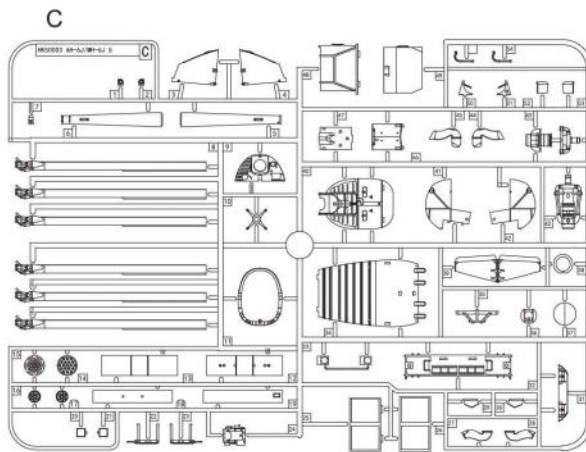
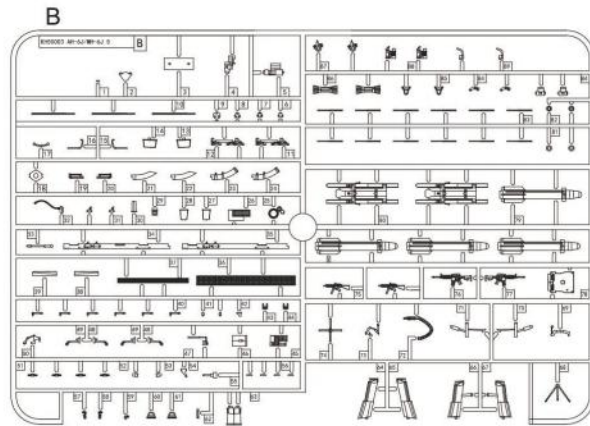
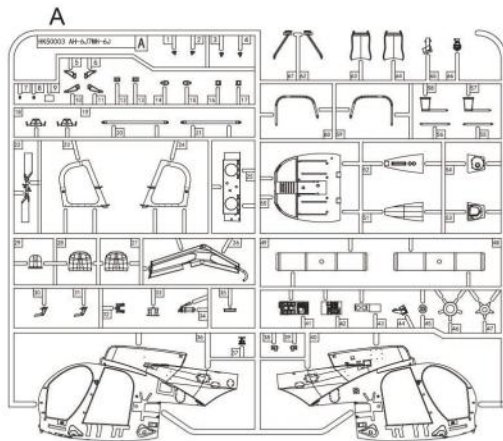


制作兩組  
Make Two

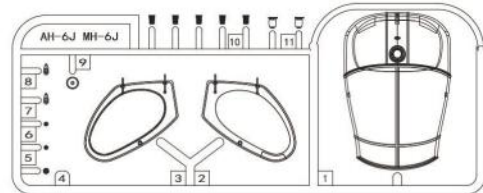


彎曲  
Bend

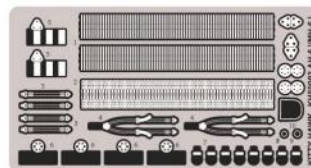
## 部品图 Parts



GP



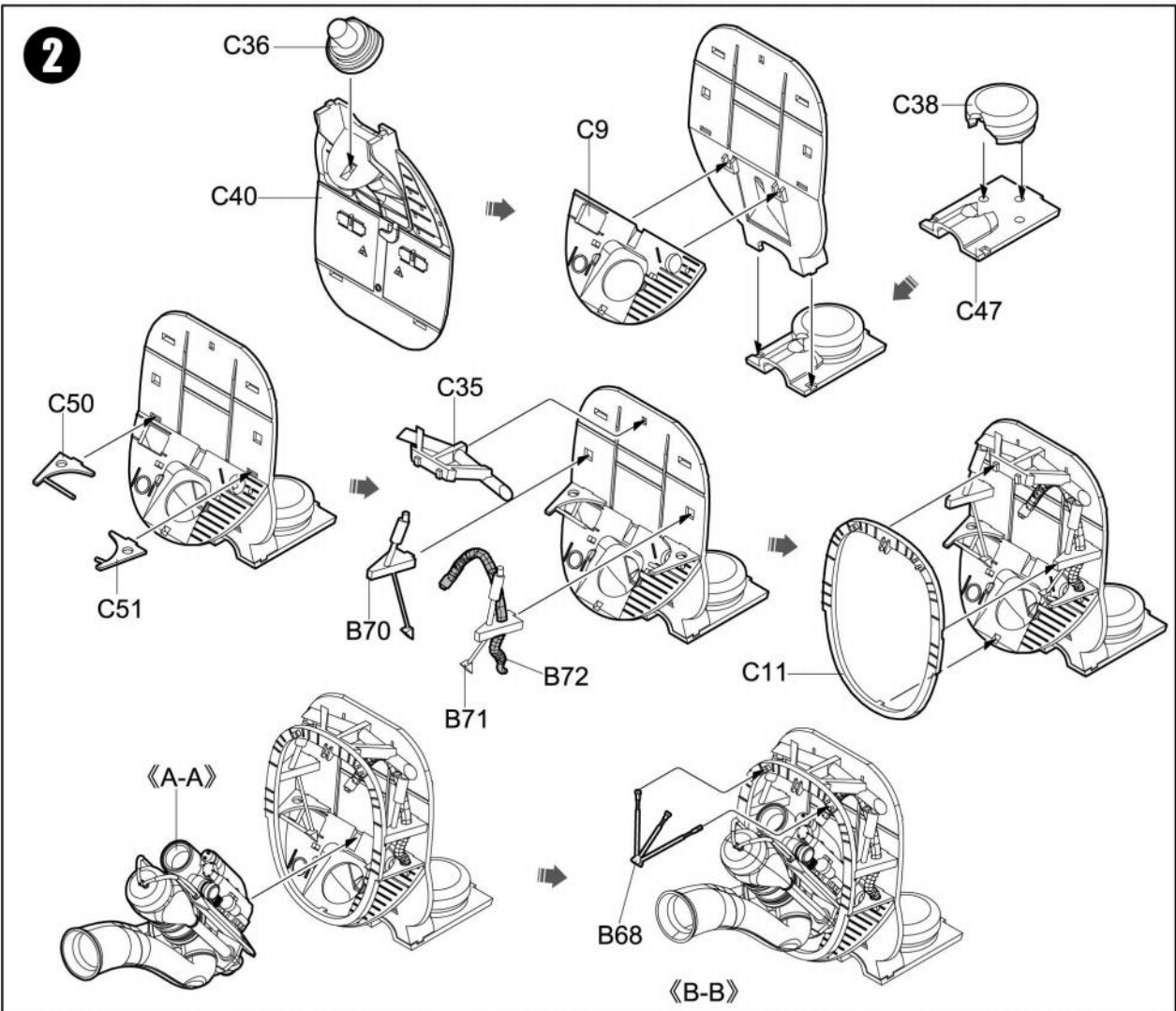
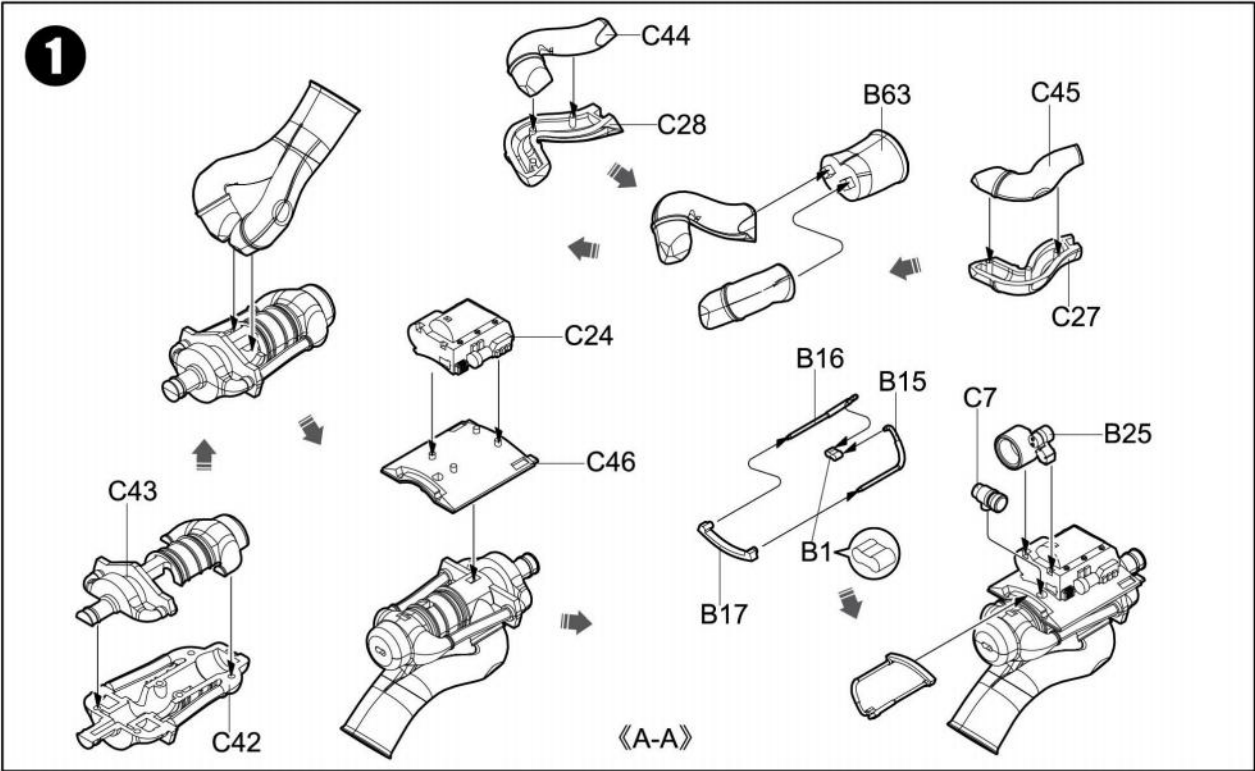
PE  
蚀刻片

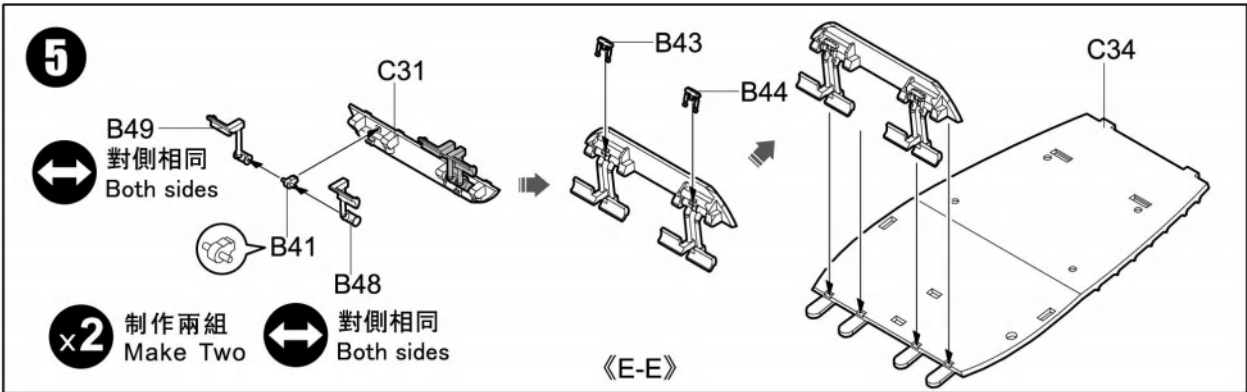
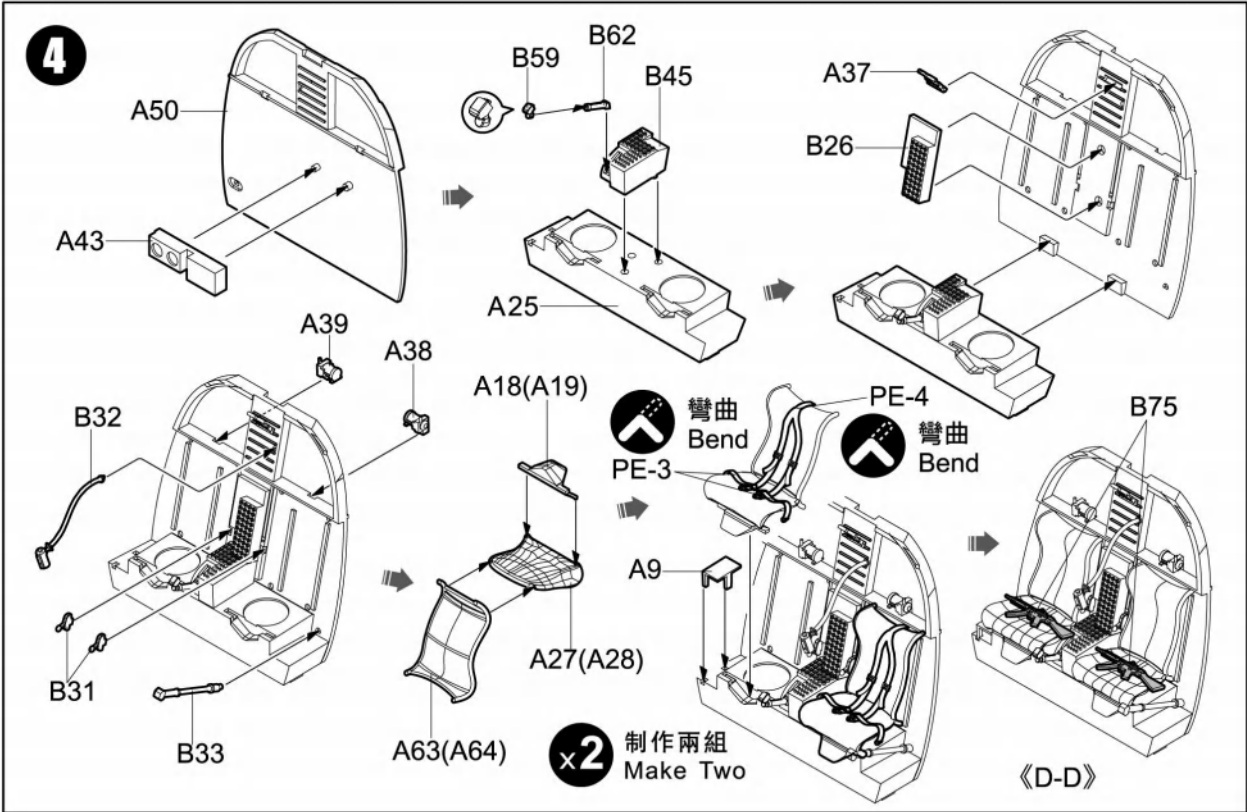
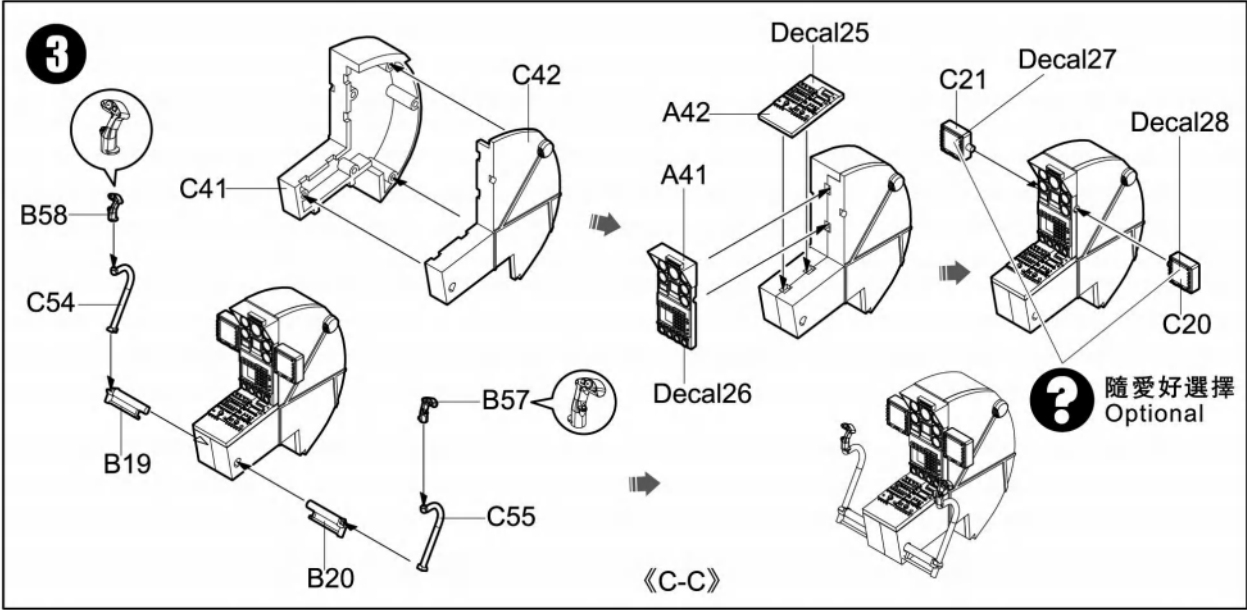


Decal A  
水贴纸A



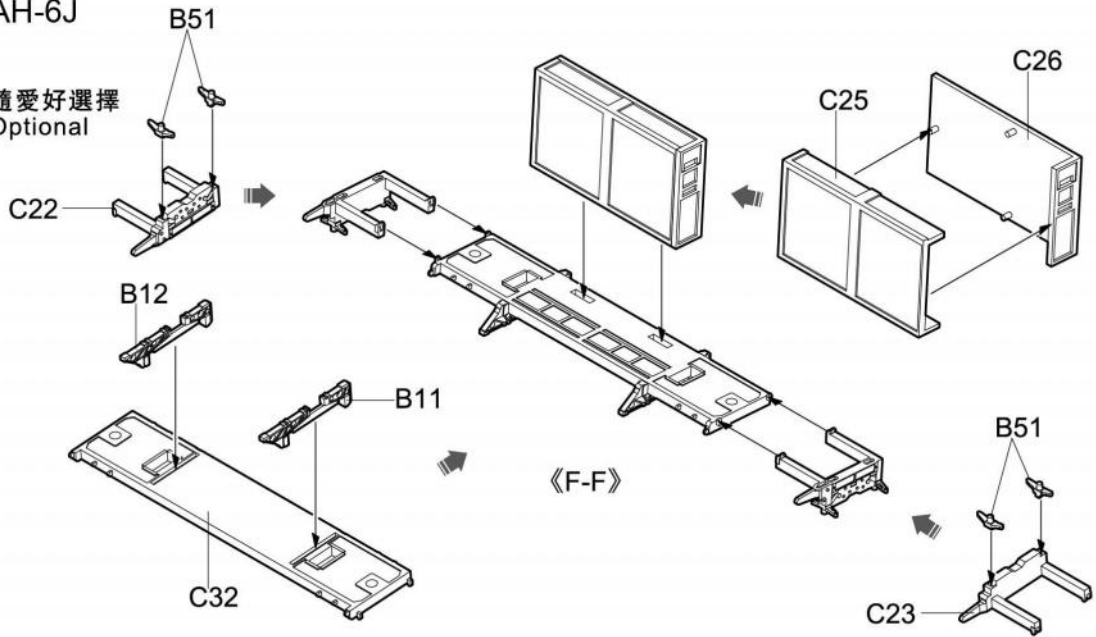
KITTY HAWK KH50003 AH-6J & MH-6J





**6** AH-6J

**?** 隨愛好選擇  
Optional



**7** MH-6J

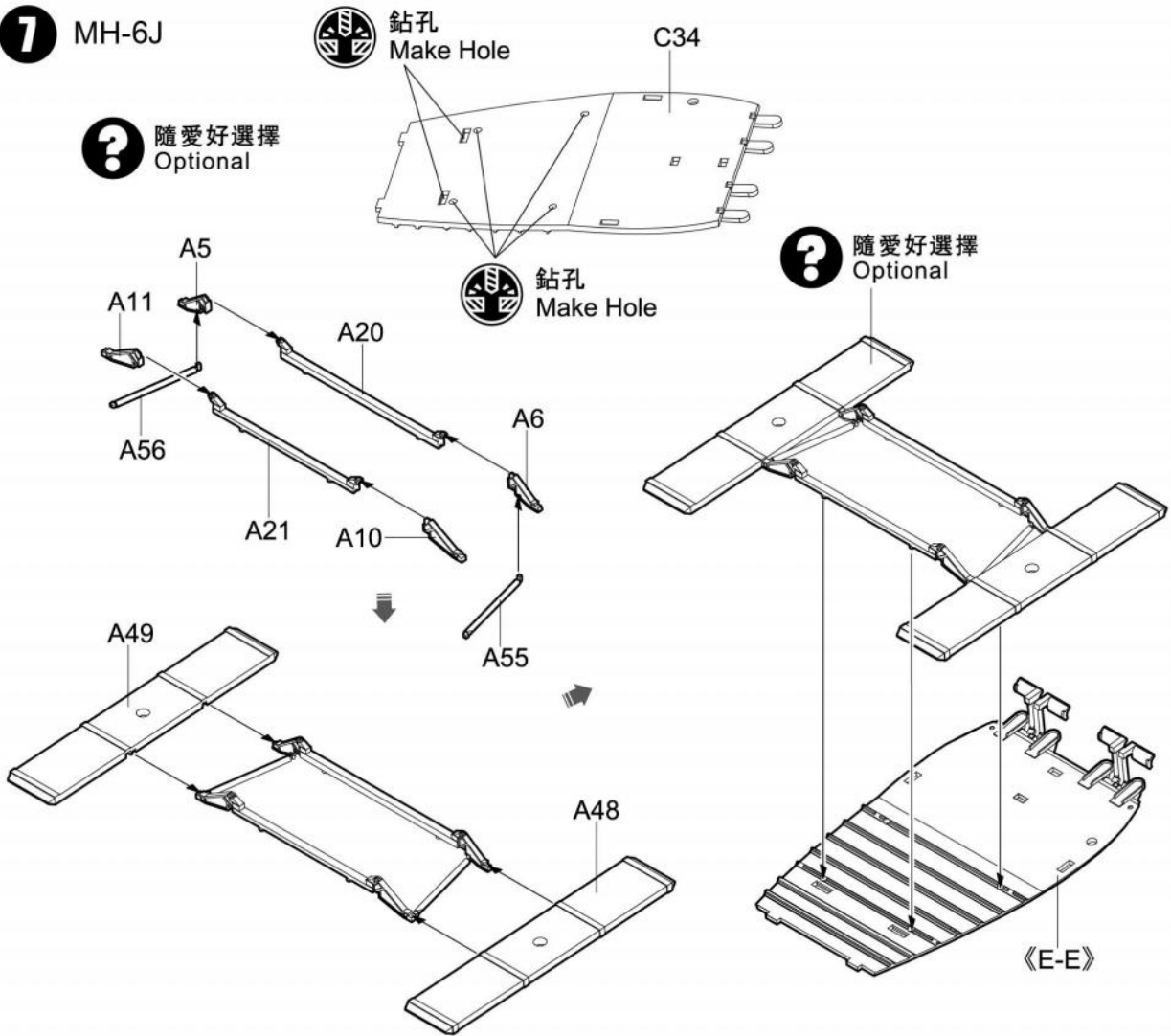
**?** 隨愛好選擇  
Optional

**?** 鉗孔  
Make Hole

C34

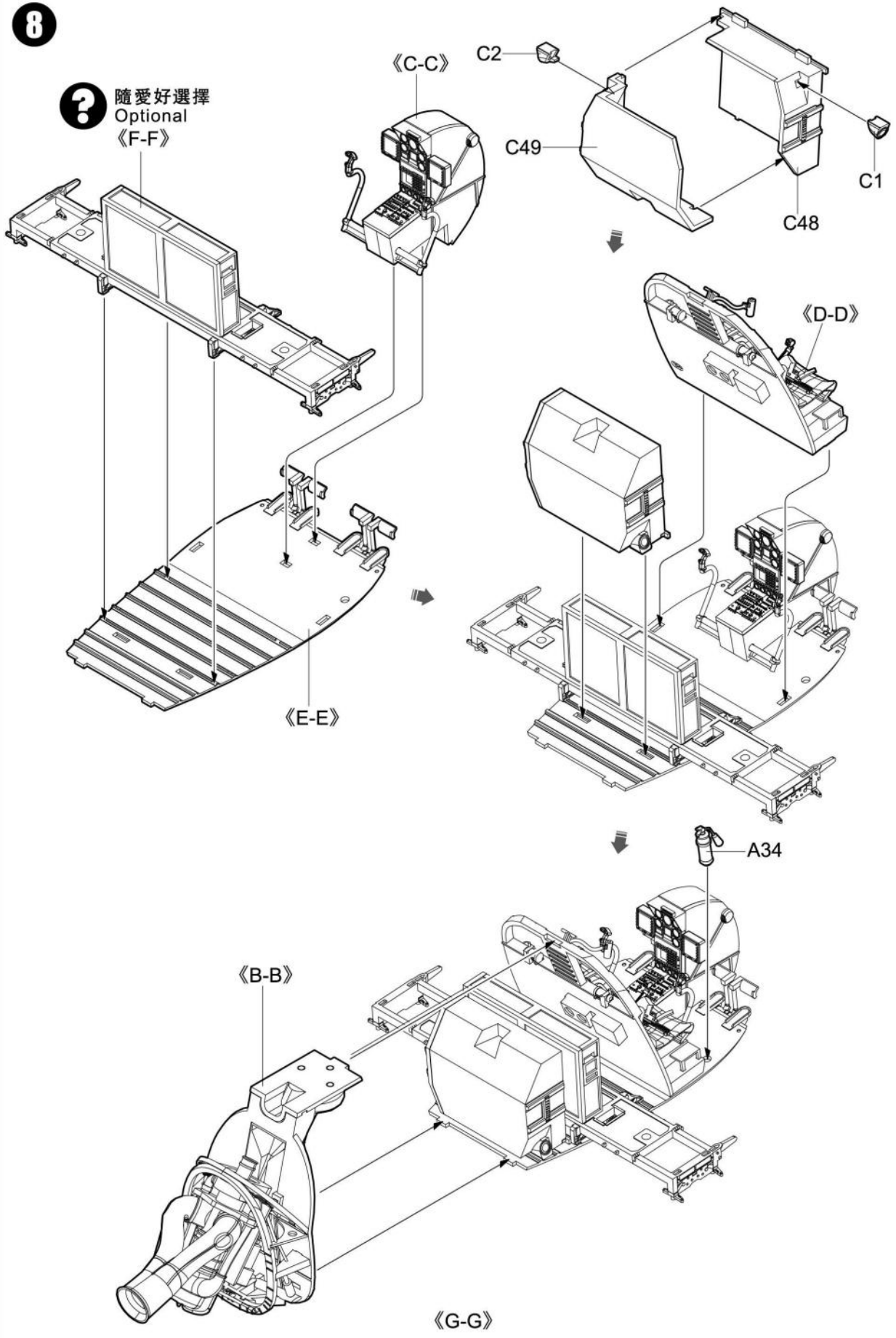
**?** 鉗孔  
Make Hole

**?** 隨愛好選擇  
Optional



8

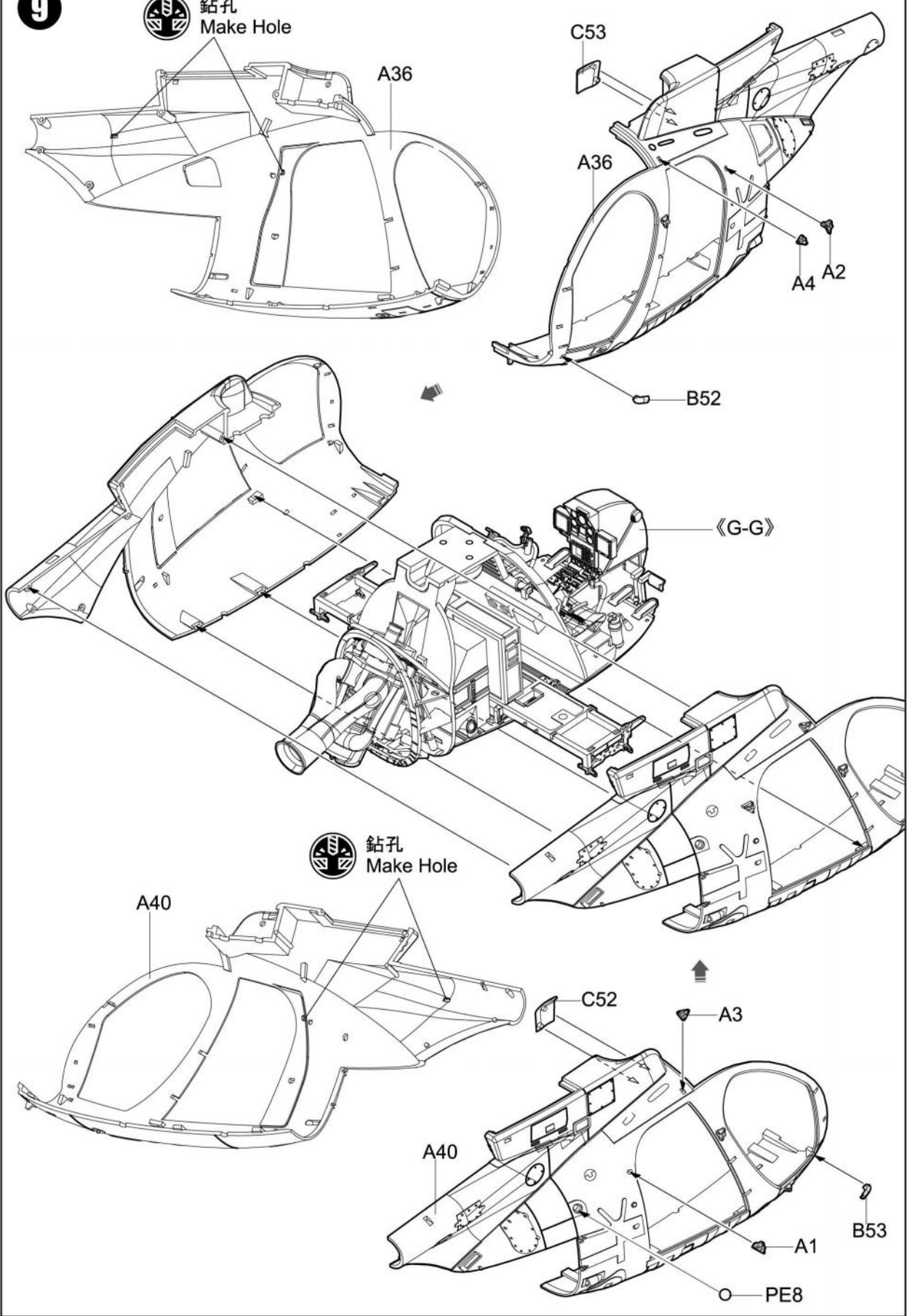
隨愛好選擇  
Optional  
《F-F》

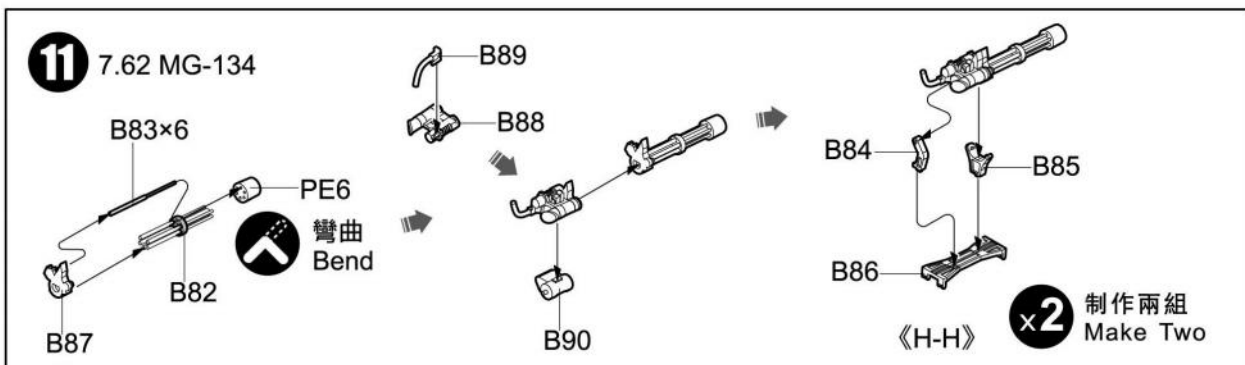
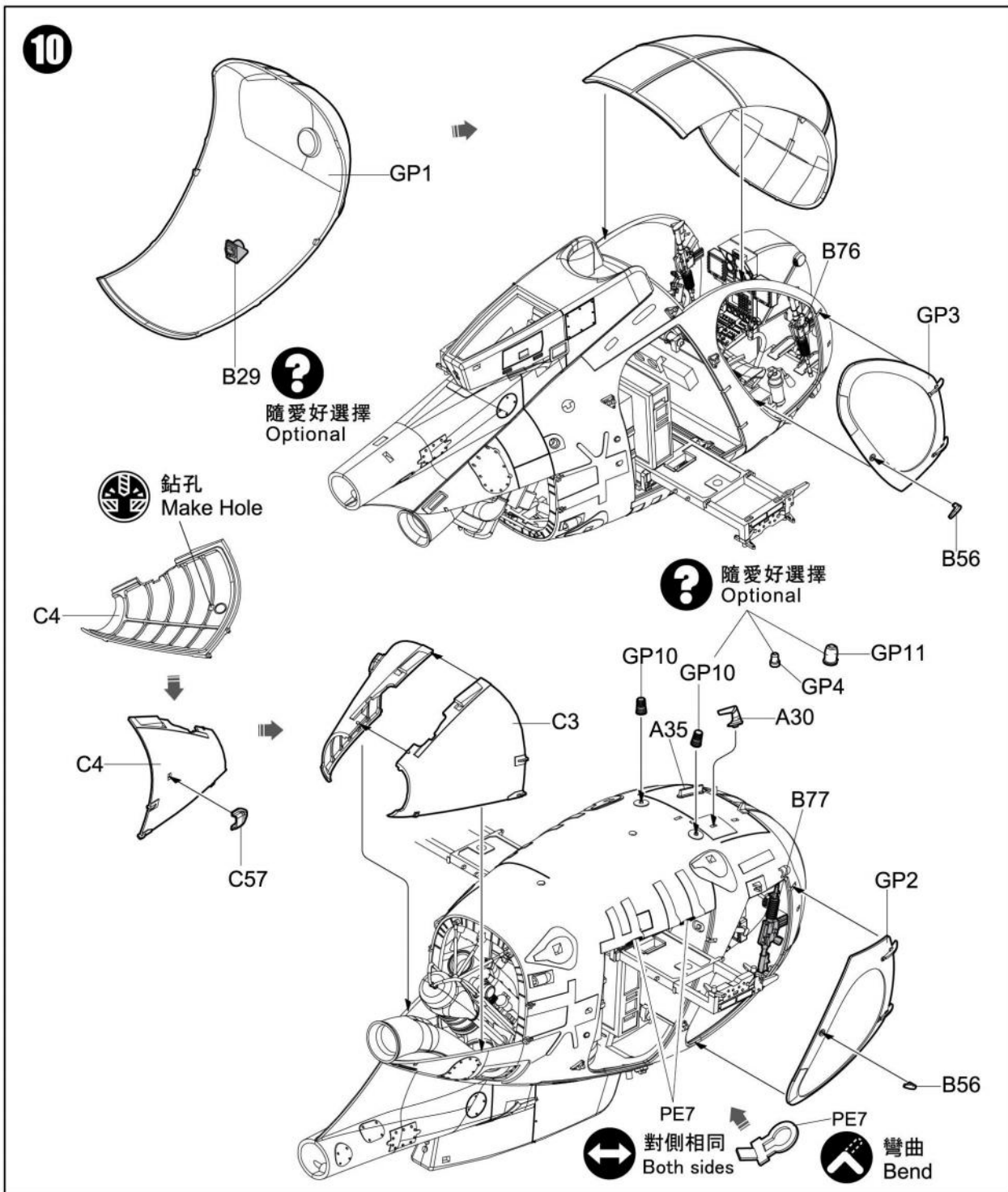


9



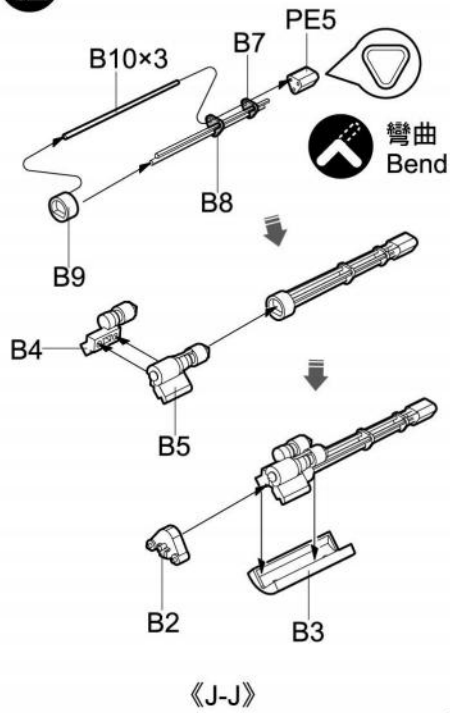
鉗孔  
Make Hole



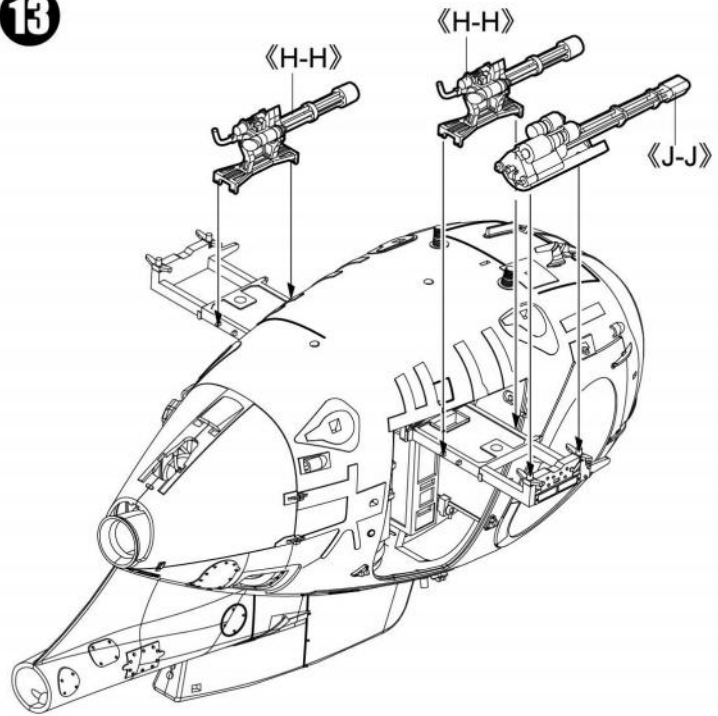




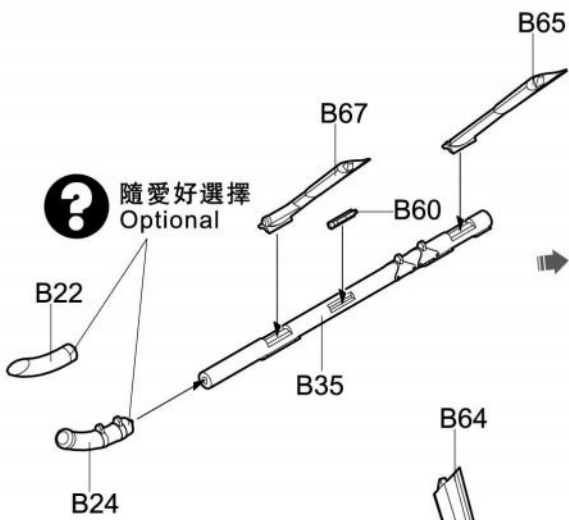
**12** .50BMG GAU-19



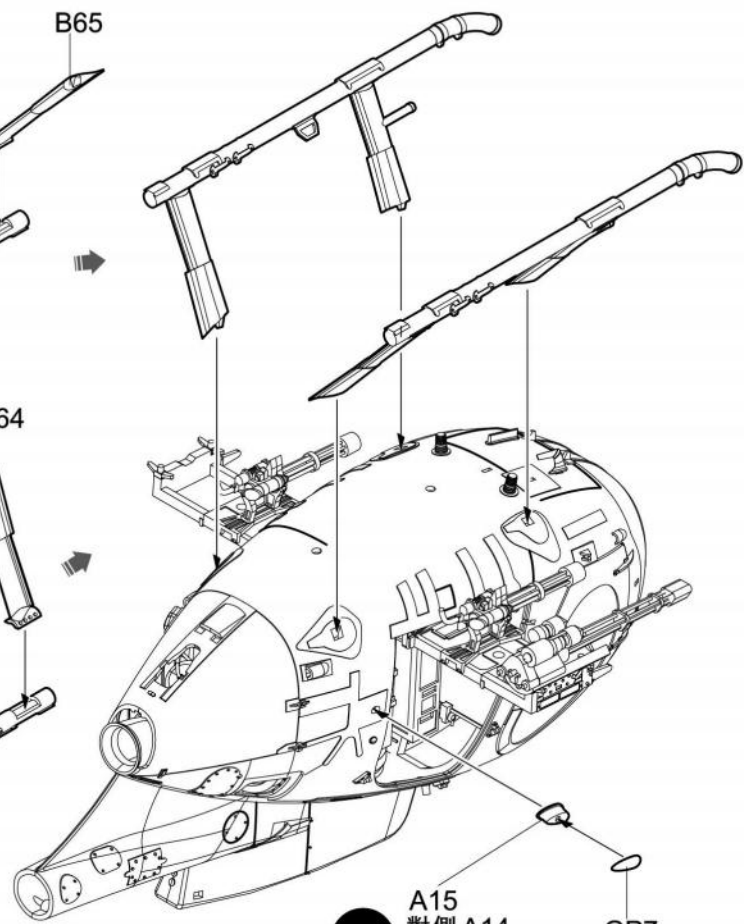
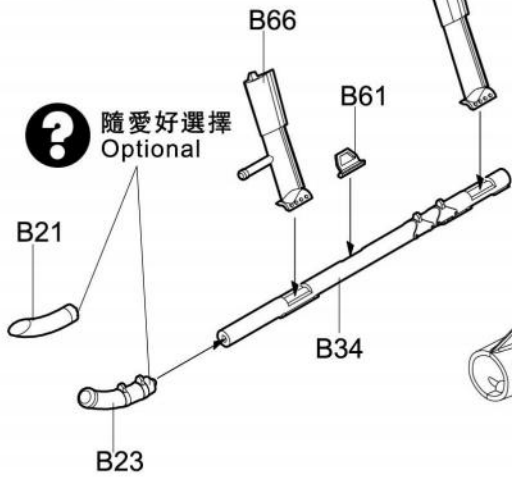
**13**



? 隨愛好選擇  
Optional



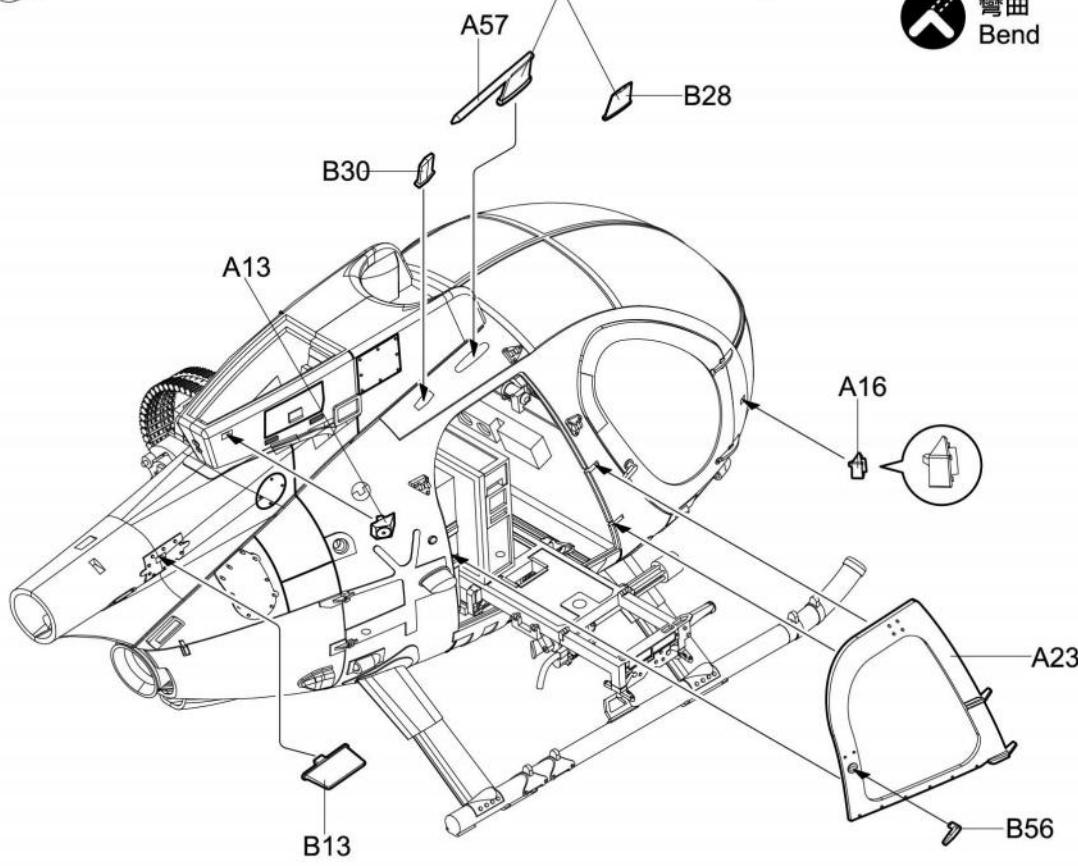
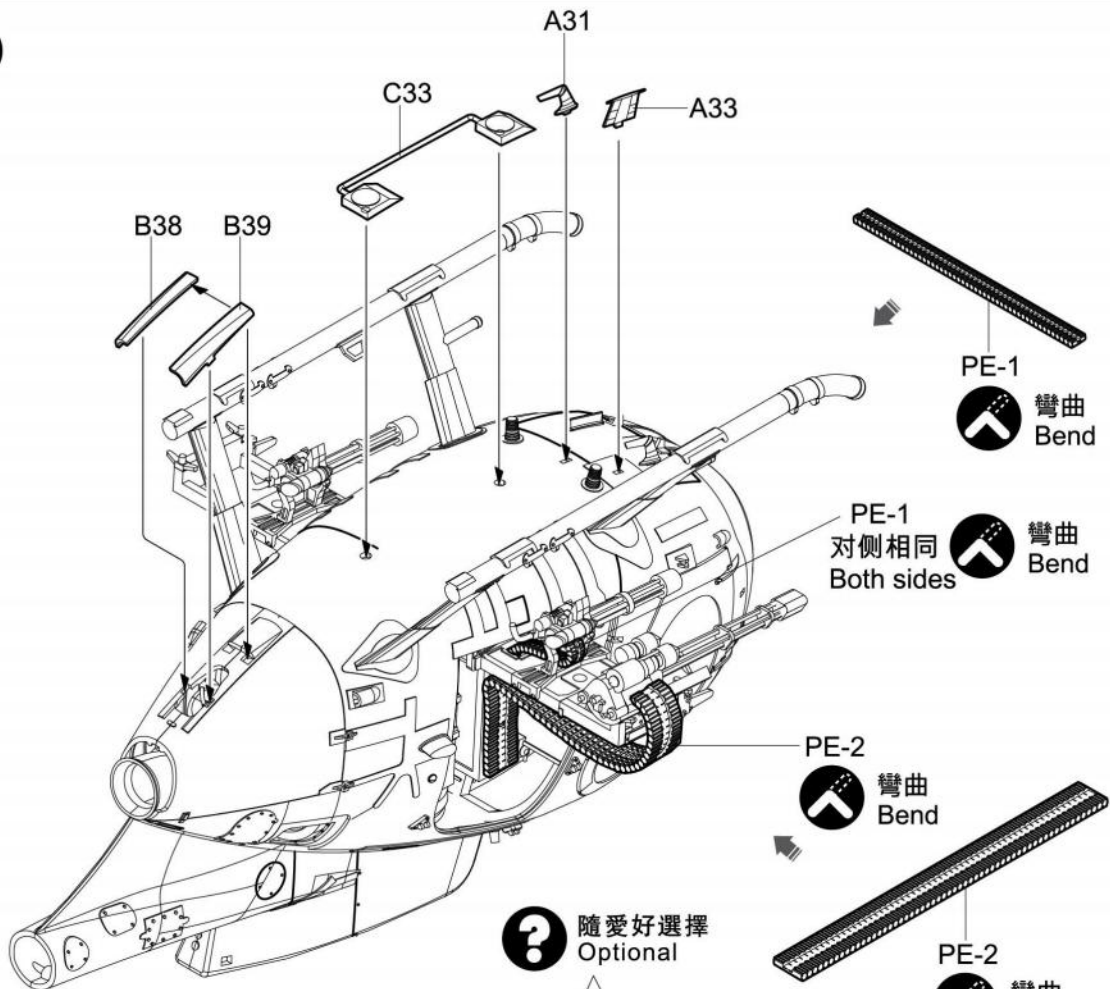
? 隨愛好選擇  
Optional



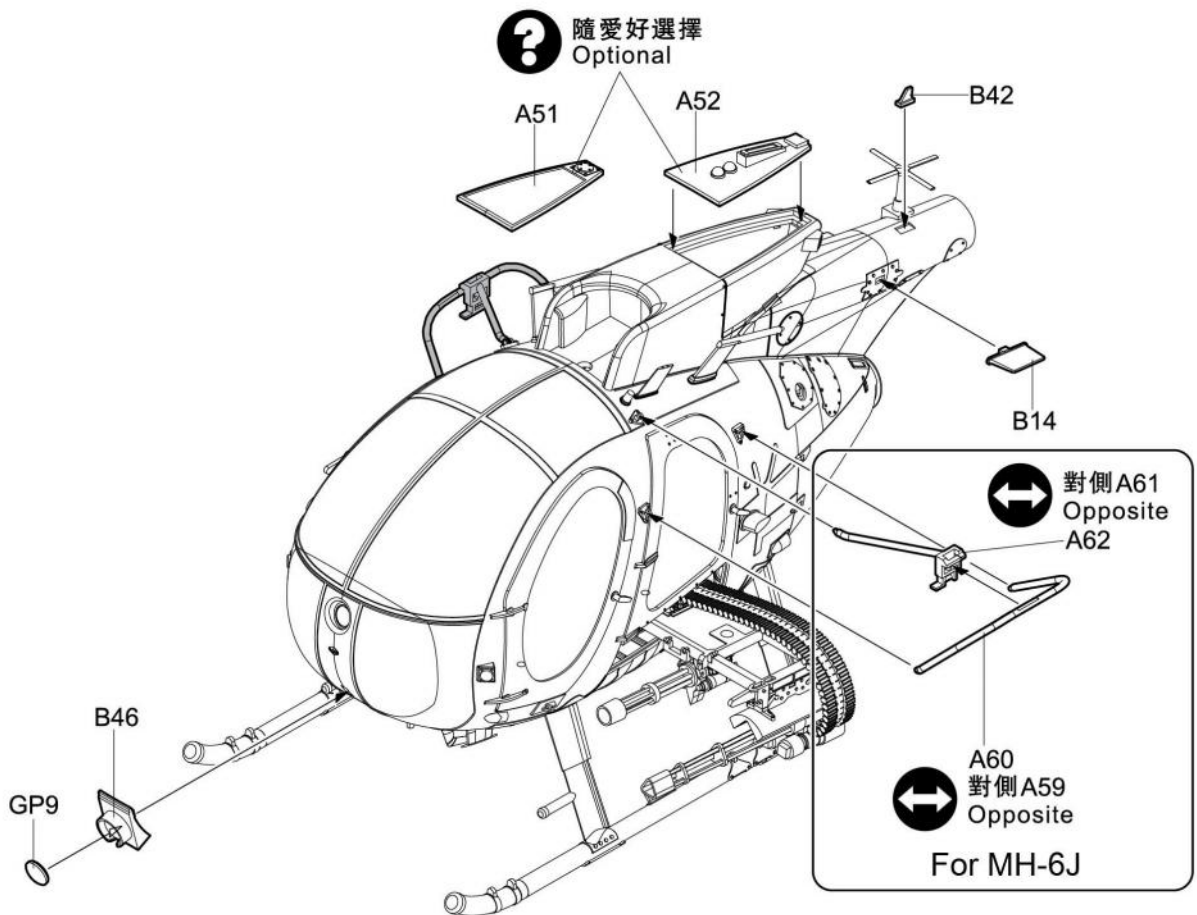
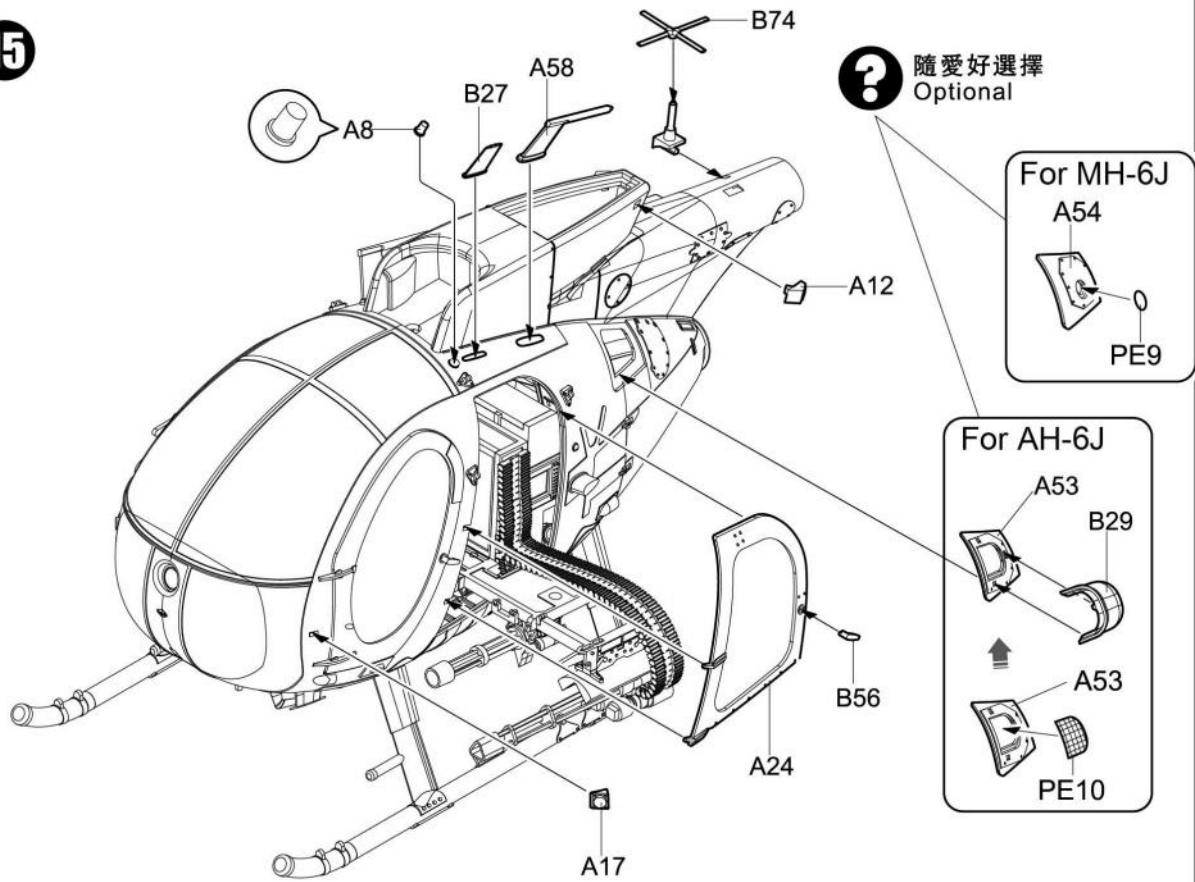
↔ A15  
對側 A14  
Opposite

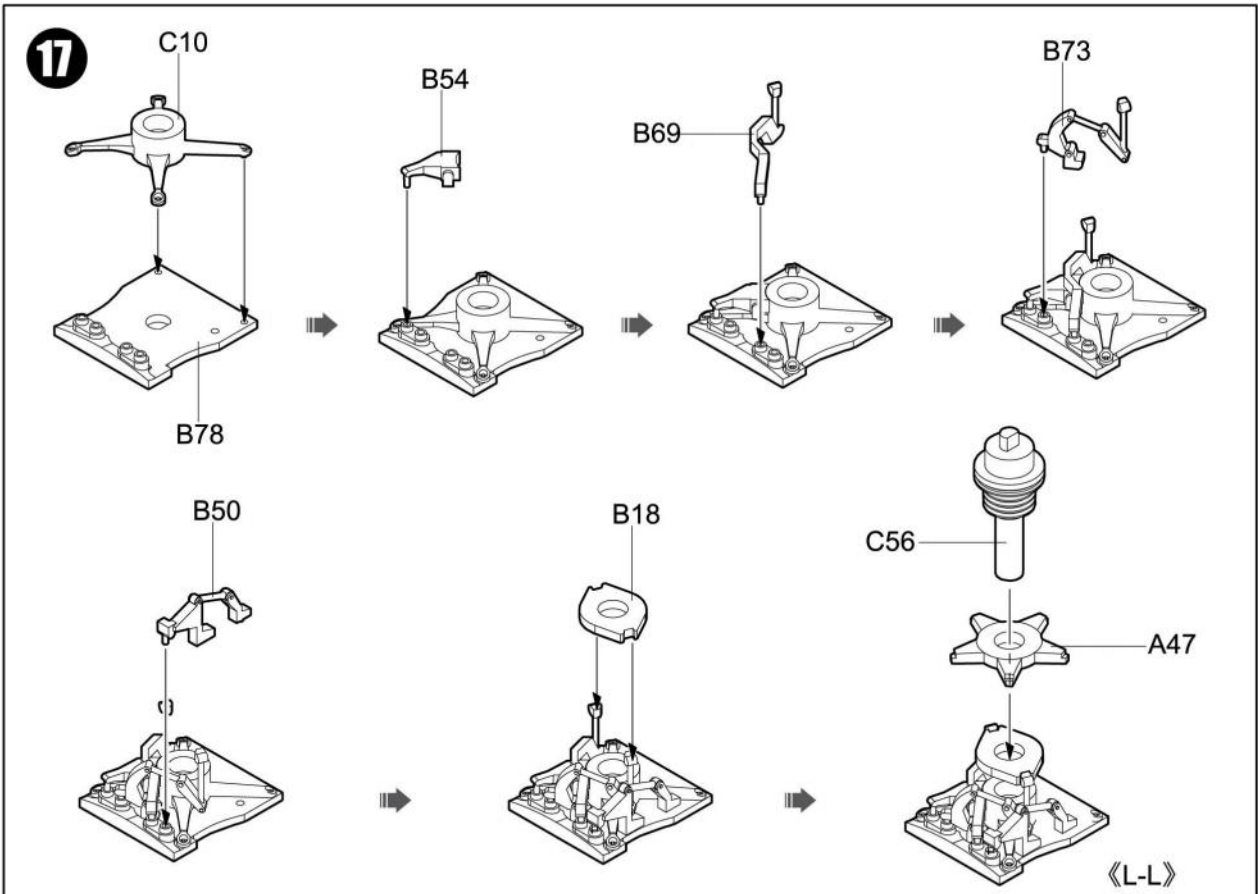
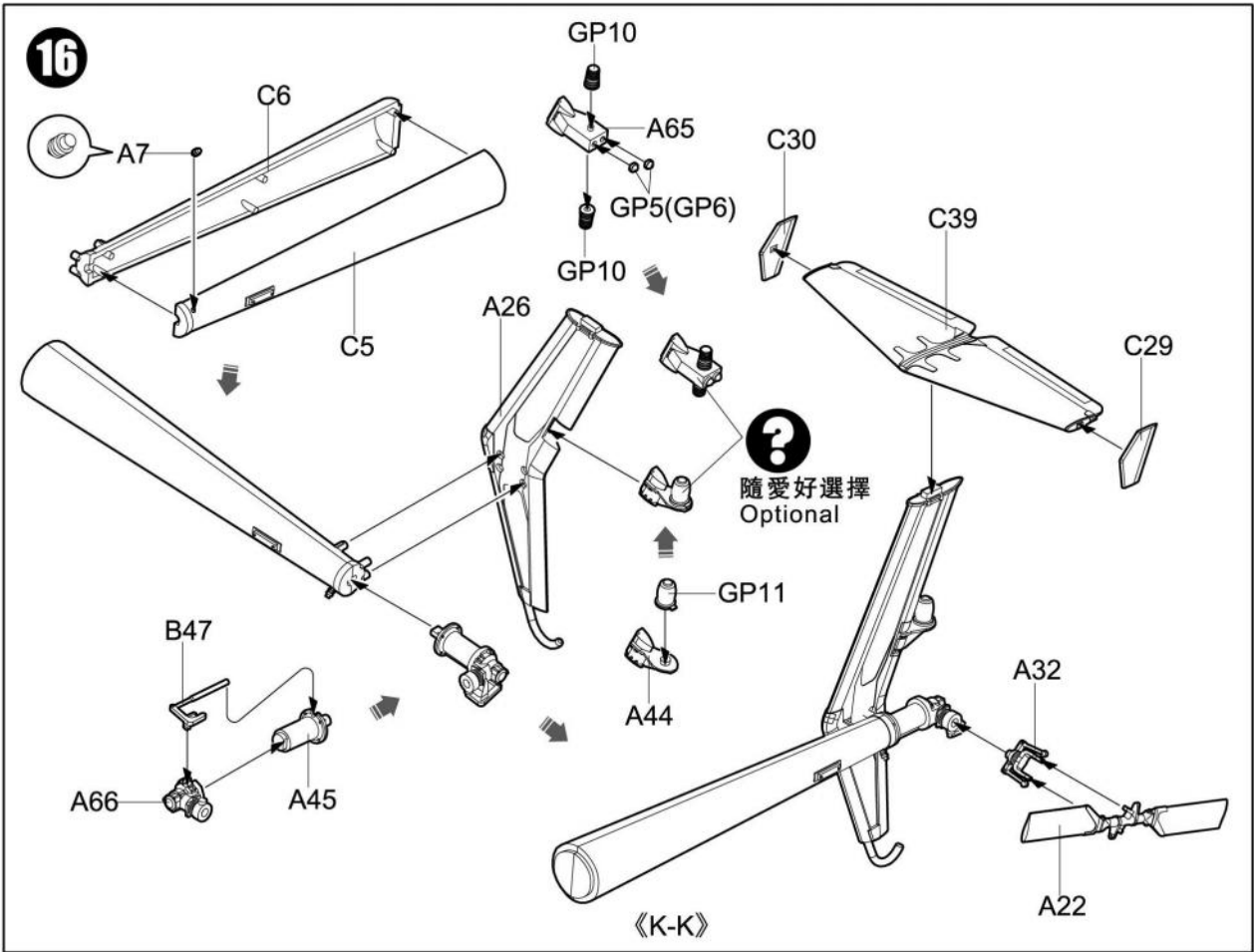
↔ GP7  
對側 GP8  
Opposite

14

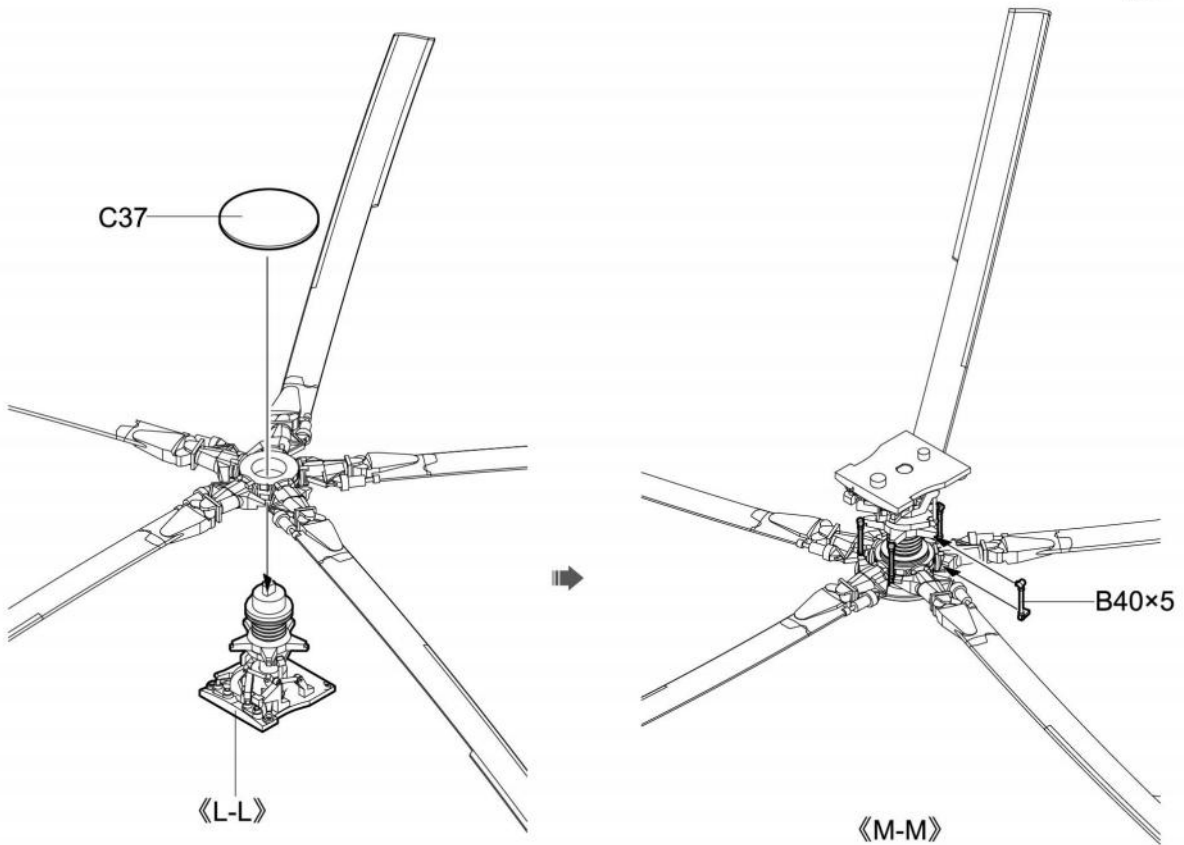
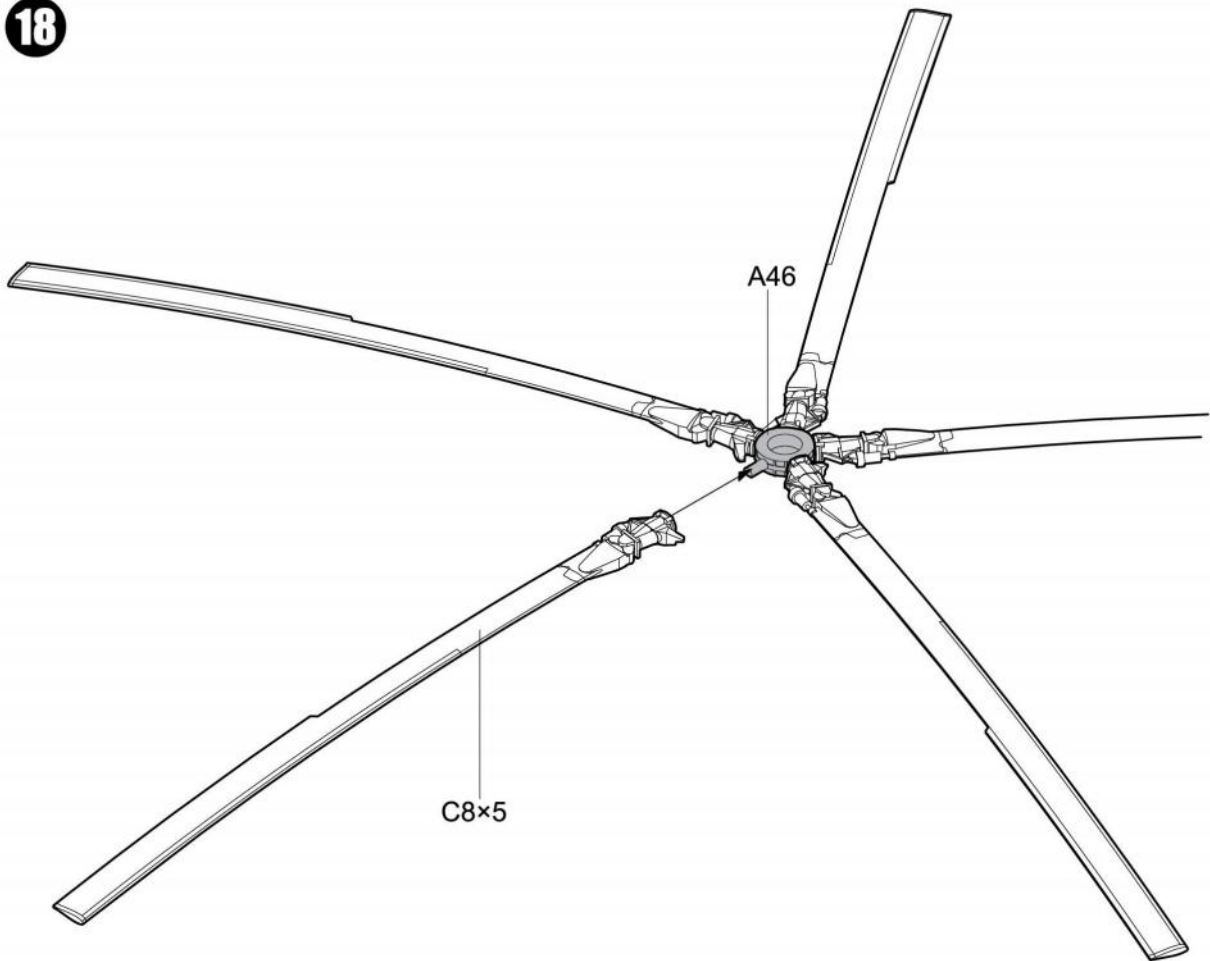


15

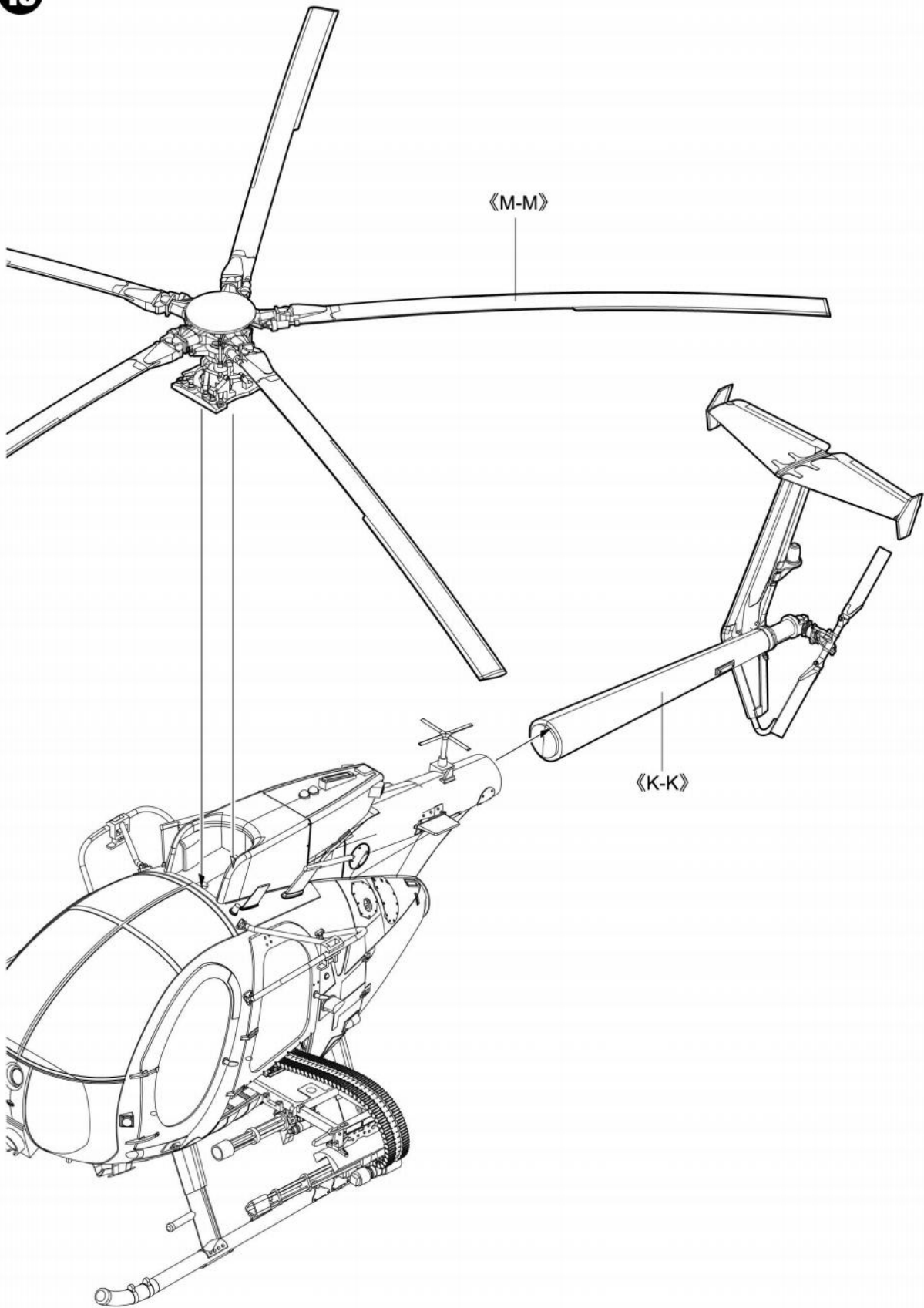




18

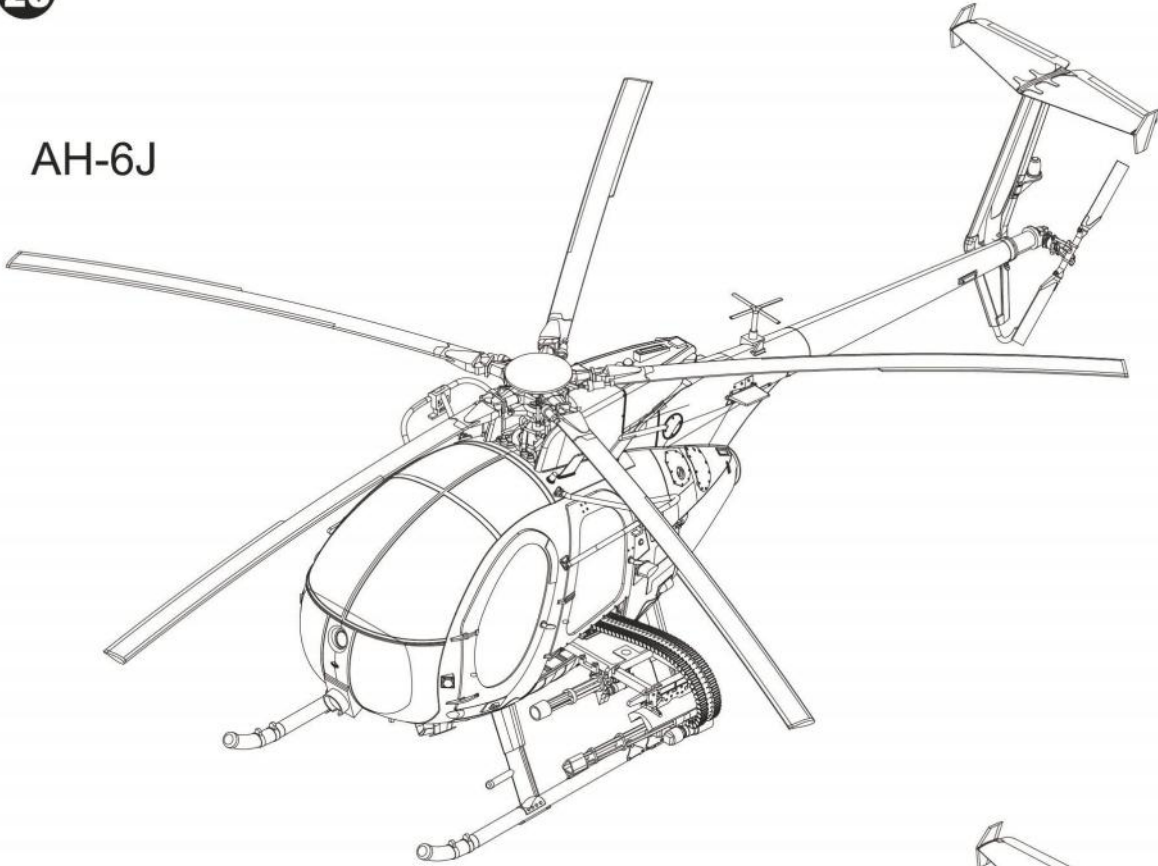


19

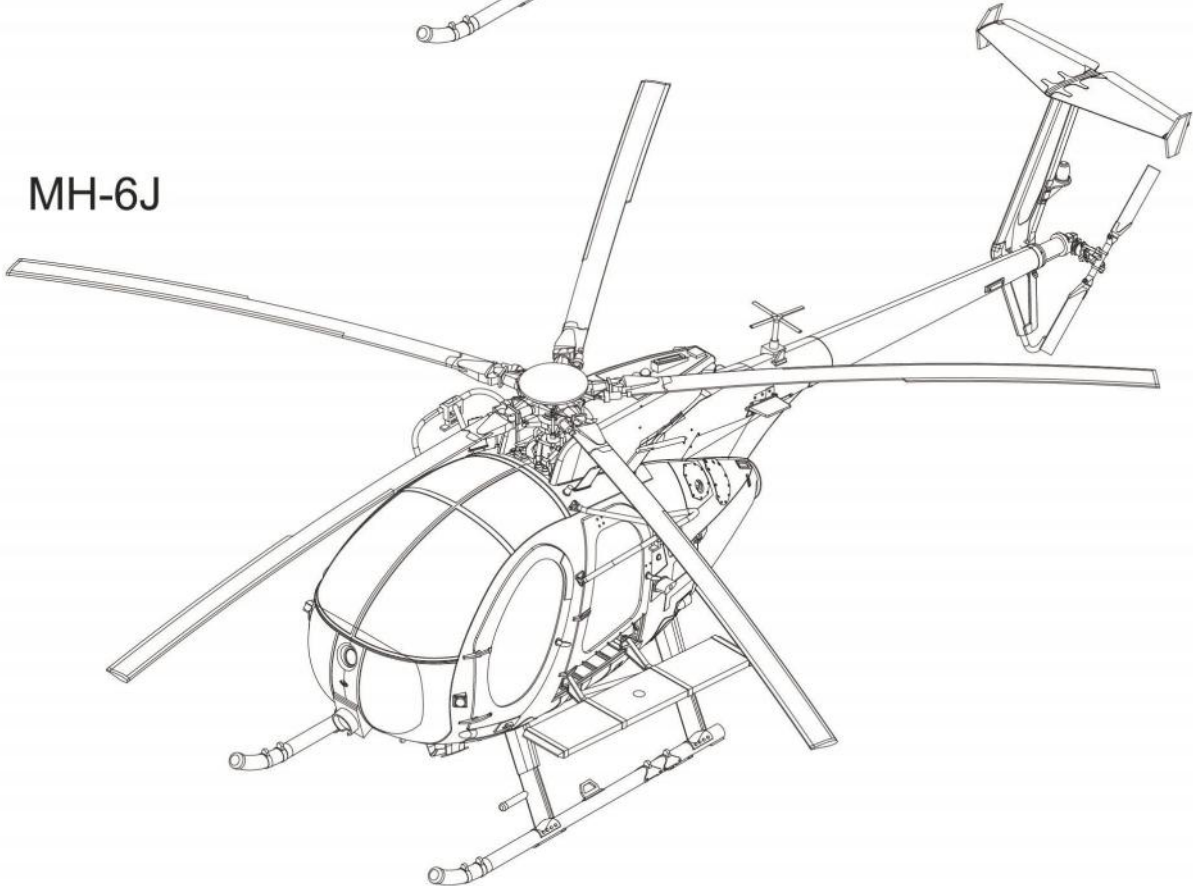


20

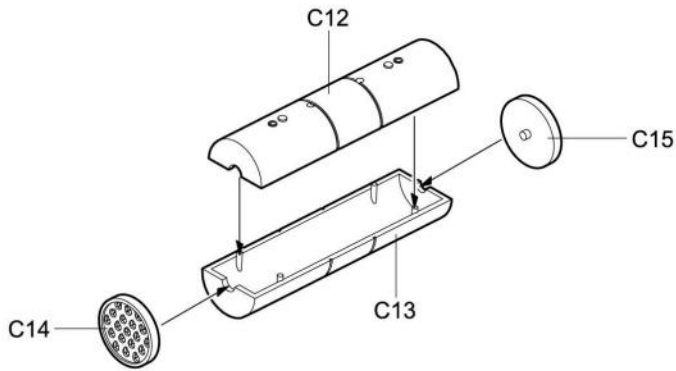
AH-6J



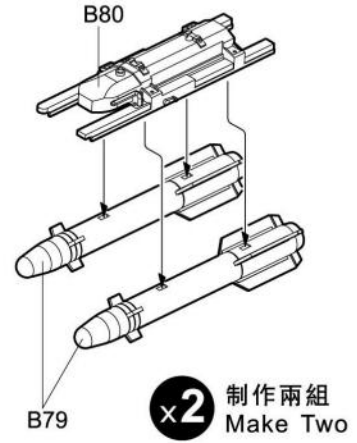
MH-6J



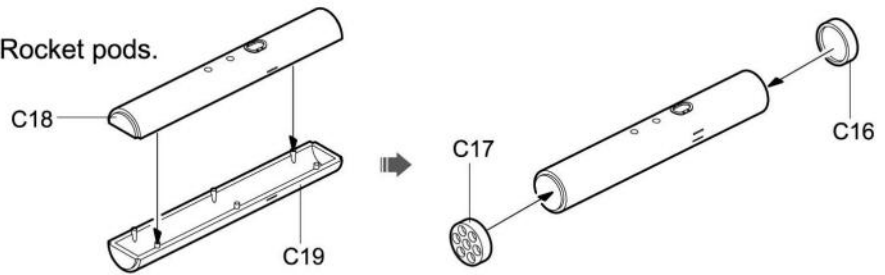
**21** M260 FFAR 2.75" 12-Rocket pods.



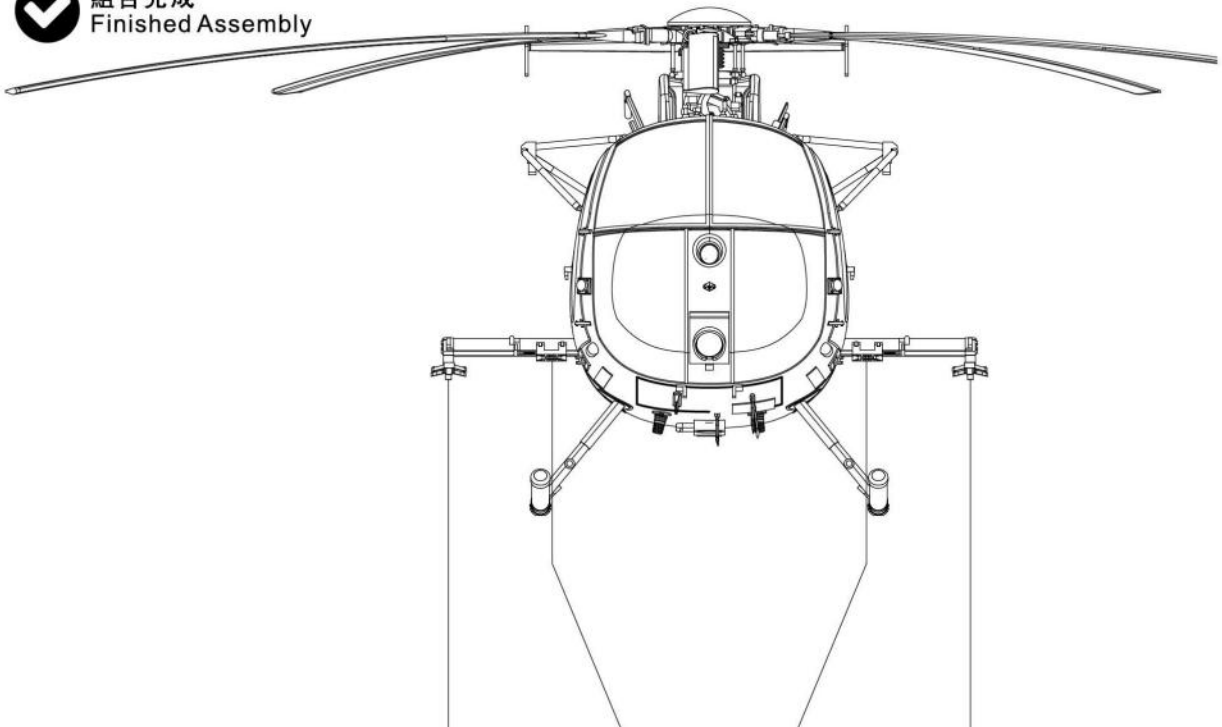
**22** AGM-114 Hellfire



**23** M260 FFAR 2.75" 7-Rocket pods.



**✓** 組合完成  
Finished Assembly



Sta.No	1	2	3	4
Missile				
.50BMG GAU-19				●
7.62 MG-134		●	●	
M260 FFAR 2.75" 12-Rocket pods.	●			●
M260 FFAR 2.75" 7-Rocket pods.	●			●
AGM-114 Hellfire	●			●

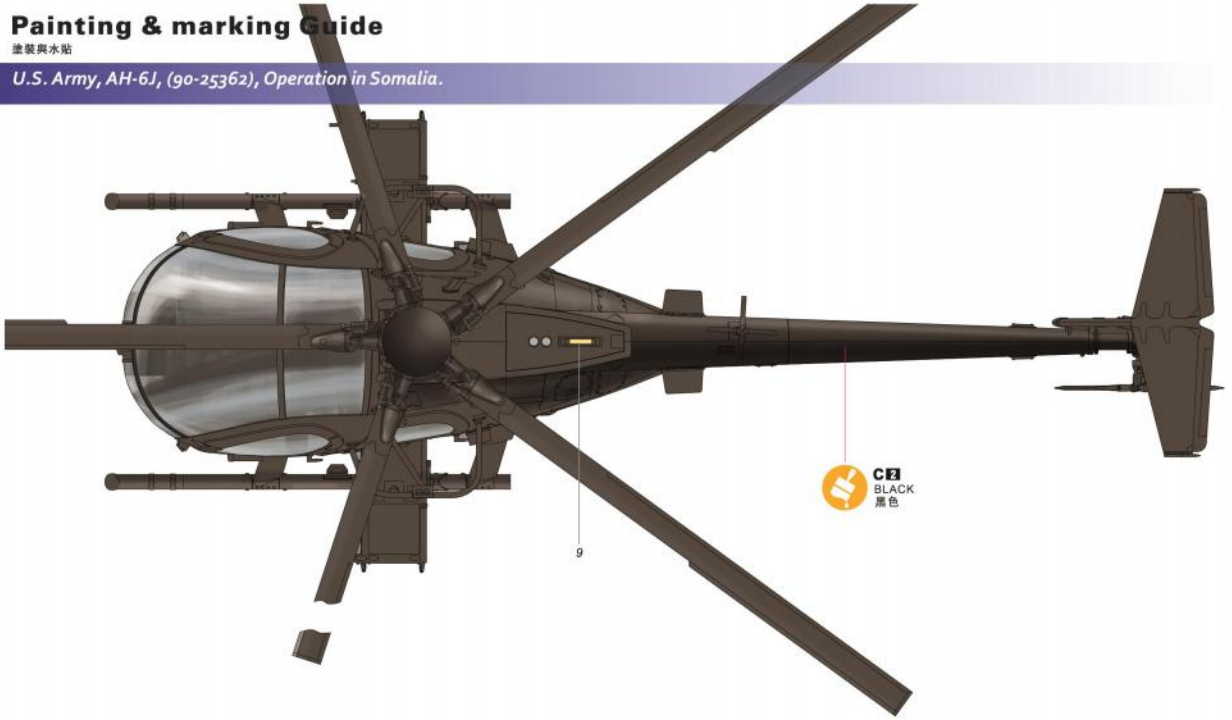


# Painting & marking Guide

塗裝與水貼

U.S. Army, AH-6J, (90-25362), Operation in Somalia.

10



15



# Painting & marking Guide

涂装与标记

U.S. Army, AH-6J, 160th SOAR (160th Special Operations Aviation Regiments.)

11



12

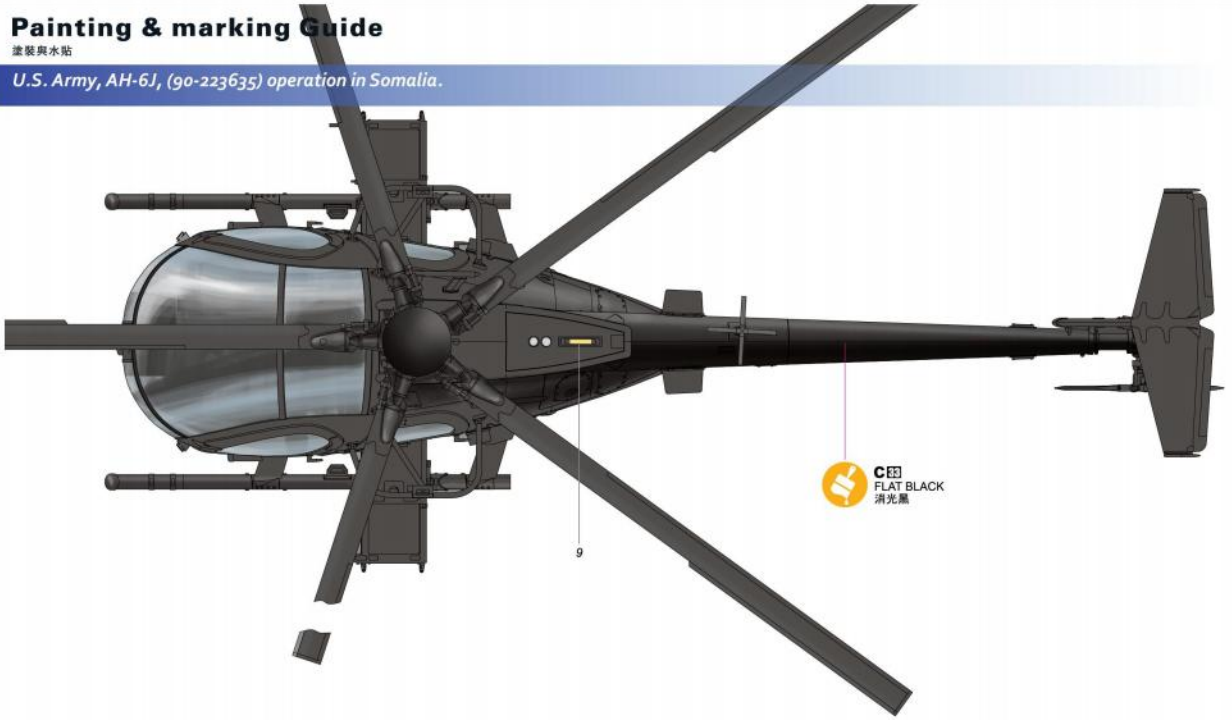


# Painting & marking Guide

塗裝與水貼

U.S. Army, AH-6J, (90-223635) operation in Somalia.

13



14

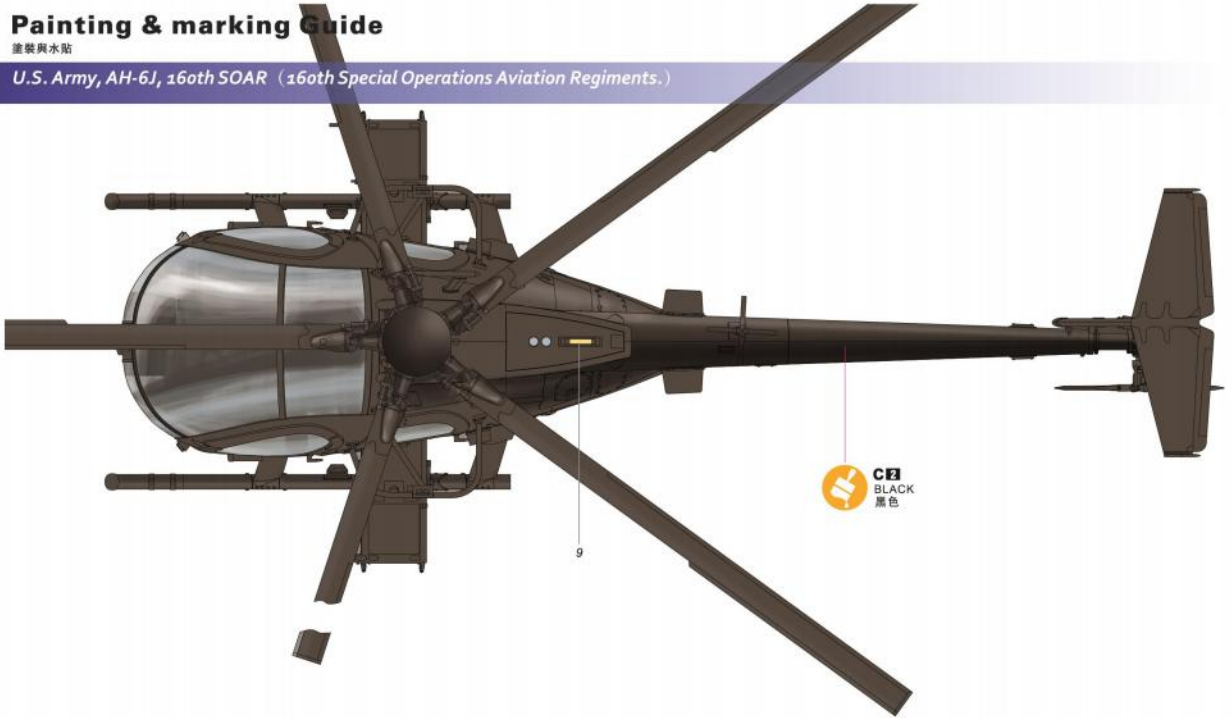


# Painting & marking Guide

塗裝與水貼

U.S. Army, AH-6J, 160th SOAR (160th Special Operations Aviation Regiments.)

12



13

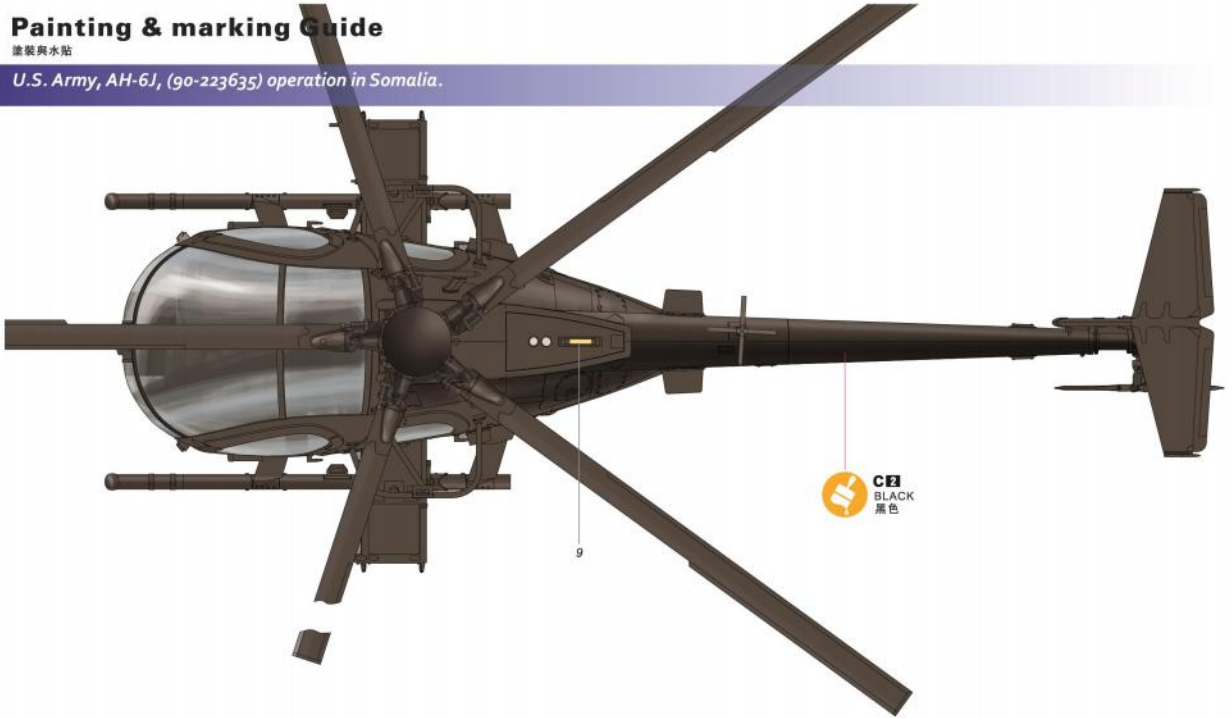


# Painting & marking Guide

塗裝與水貼

U.S. Army, AH-6J, (90-223635) operation in Somalia.

14



11



# Painting & marking Guide

涂装與水貼

U.S. Army, AH-6J, (90-25362), Operation in Somalia.

15



16

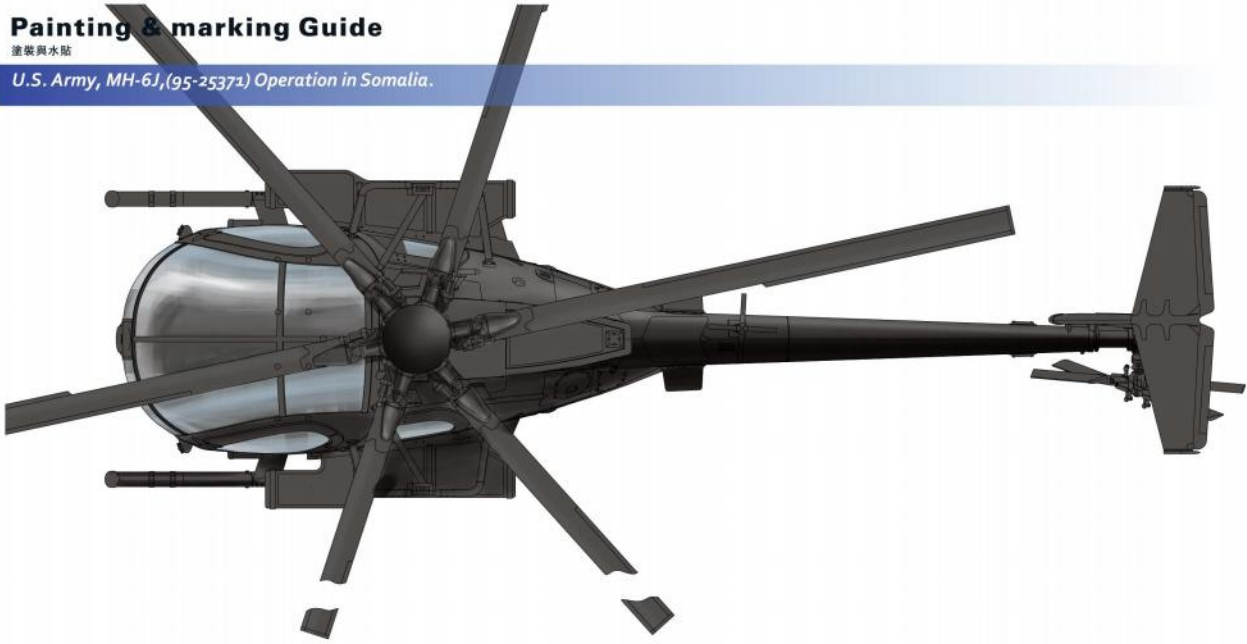


# Painting & marking Guide

塗裝與水貼

U.S. Army, MH-6J, (95-25371) Operation in Somalia.

9



10

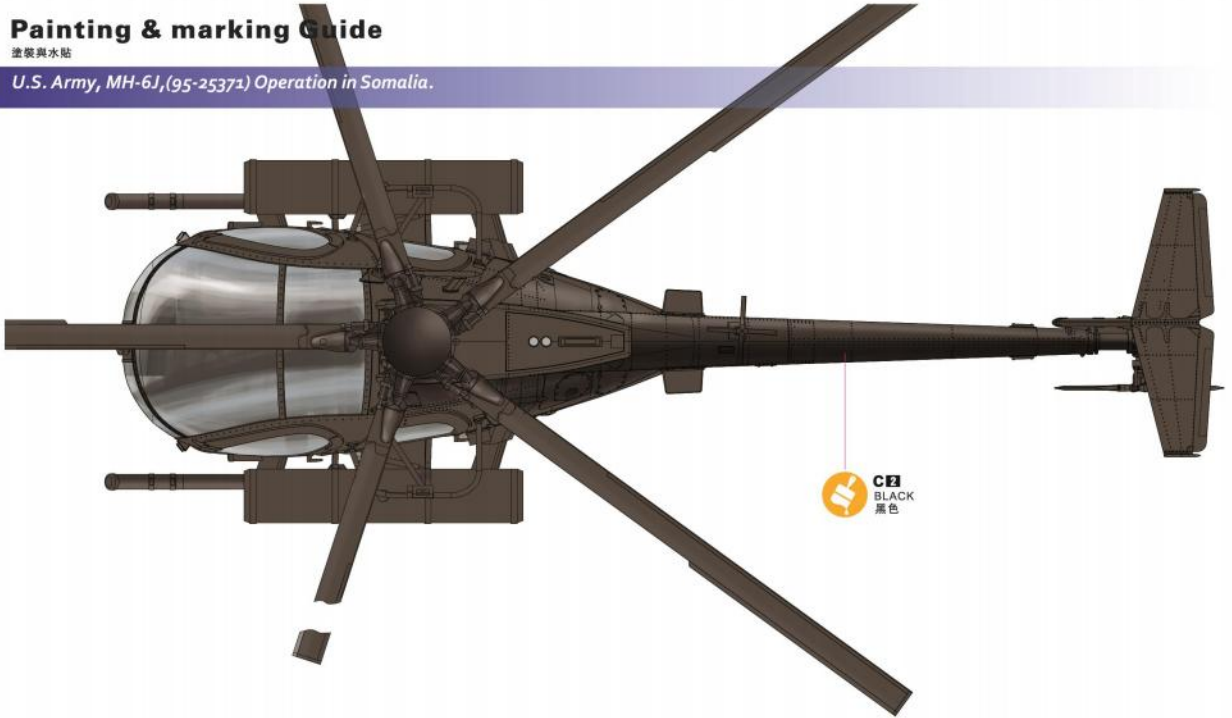


# Painting & marking Guide

塗裝與水貼

U.S. Army, MH-6J, (95-25371) Operation in Somalia.

16



9

