

Instruction
模型拼装说明书

1:35 Scale



AH-6J/MH-6J

Little Bird (with figures)



美国AH-6J/MH-6J“小鸟”直升机

ZM50004

READ BEFORE ASSEMBLY

在組合您的模型之前，請充分閱讀本冊說明書。組合模型您需要如下物品（需另購）：模型膠水；一把模型鉗或一把用于將零件從框架上切下的模型筆刀。筆刀同樣可以用來修整零件的合模綫。祝您制作愉快！

Before assembling your model kit, read through these instructions carefully. To assemble this kit, you will need Plastic glue (not include). A pair of side cutter or a sharp modelling knife is required for removing parts from the frame. Plastic mould lines can be removed with the modelling knife.



塗色
Painting



對側
Opposite



隨愛好選擇
Optional



鉗孔
Make Hole

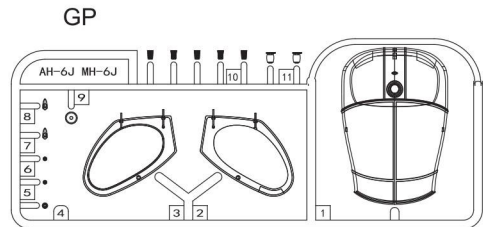
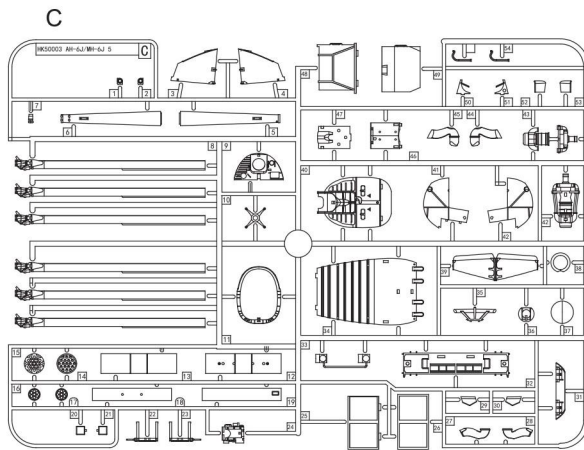
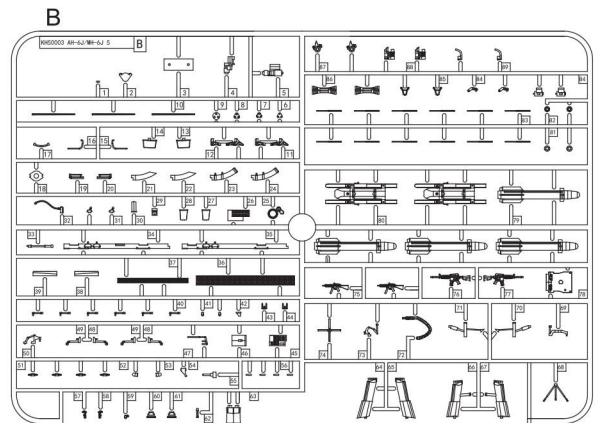
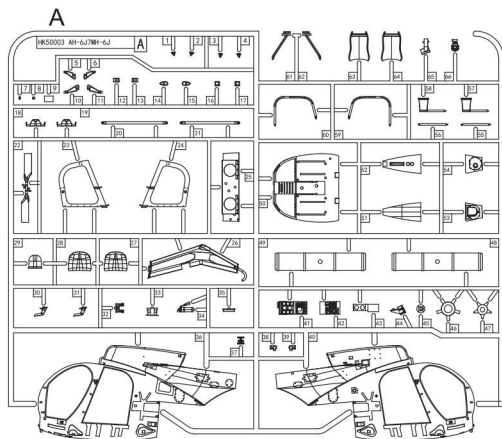


制作兩組
Make Two

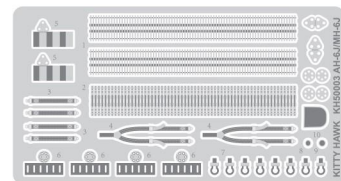


彎曲
Bend

部品图 Parts



PE
蚀刻片

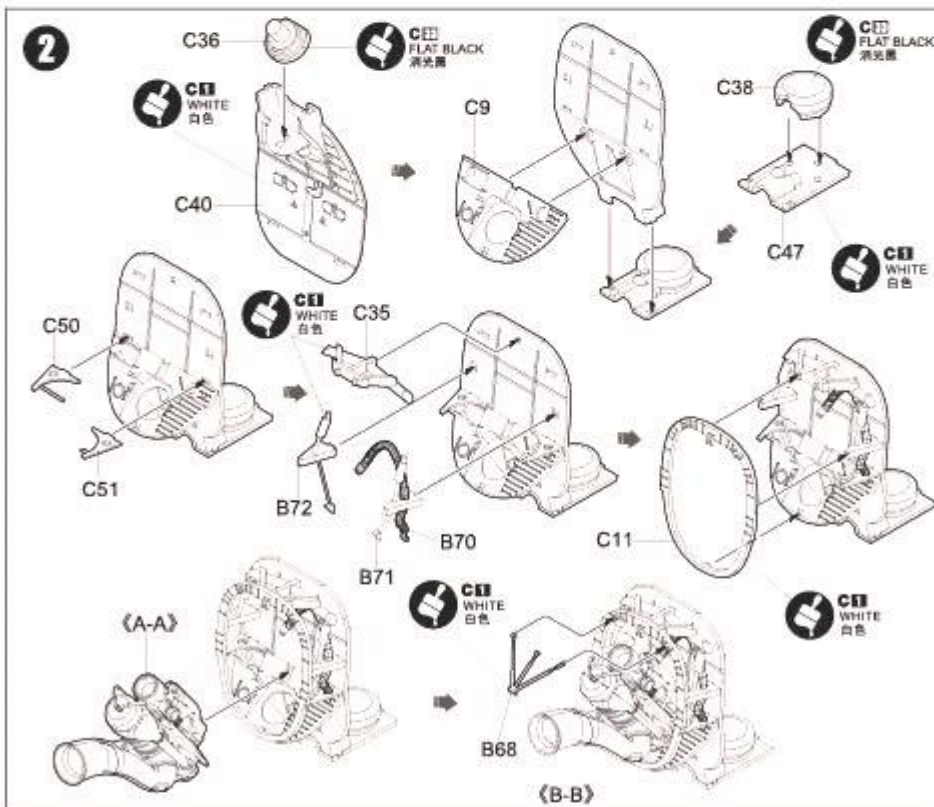
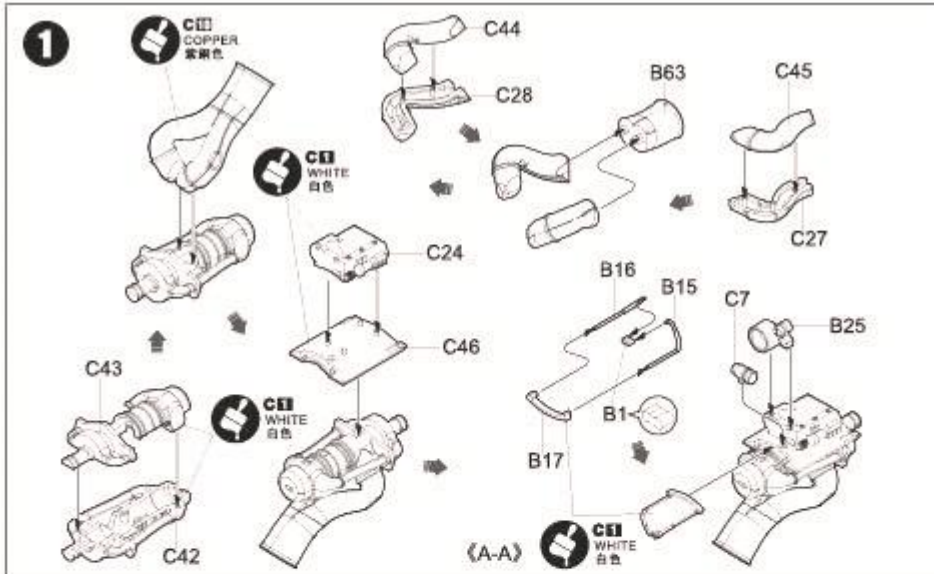


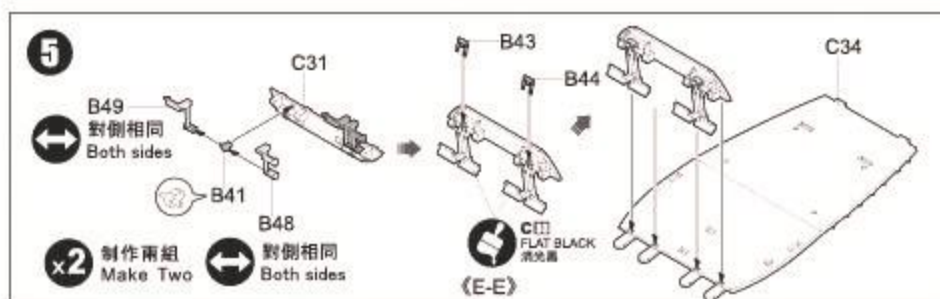
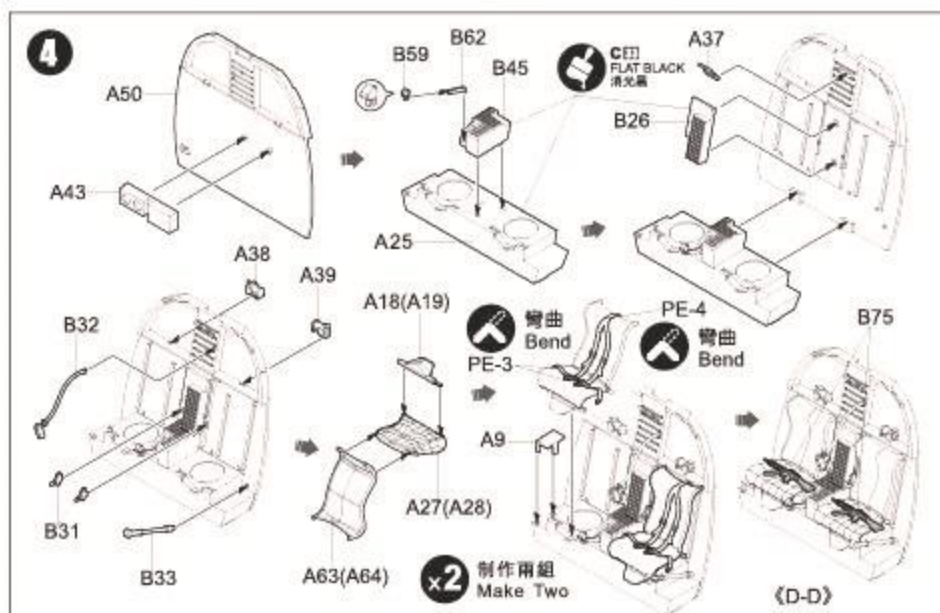
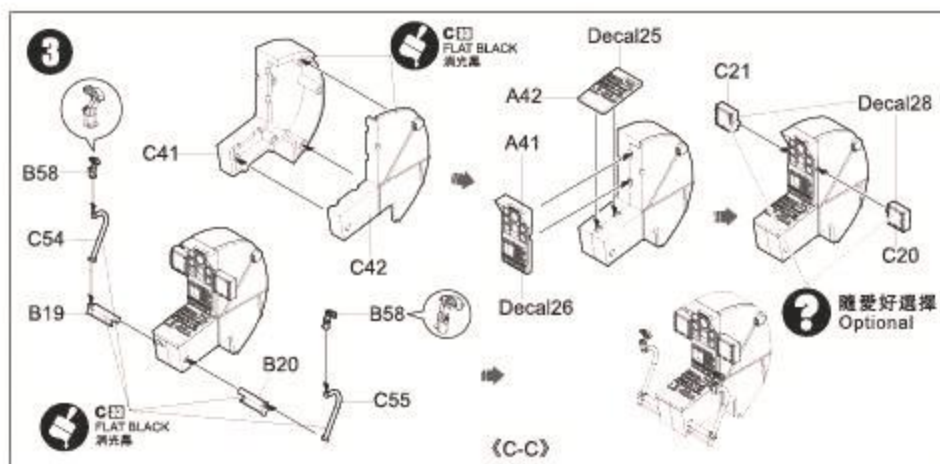
《树脂件》
RESIN PART

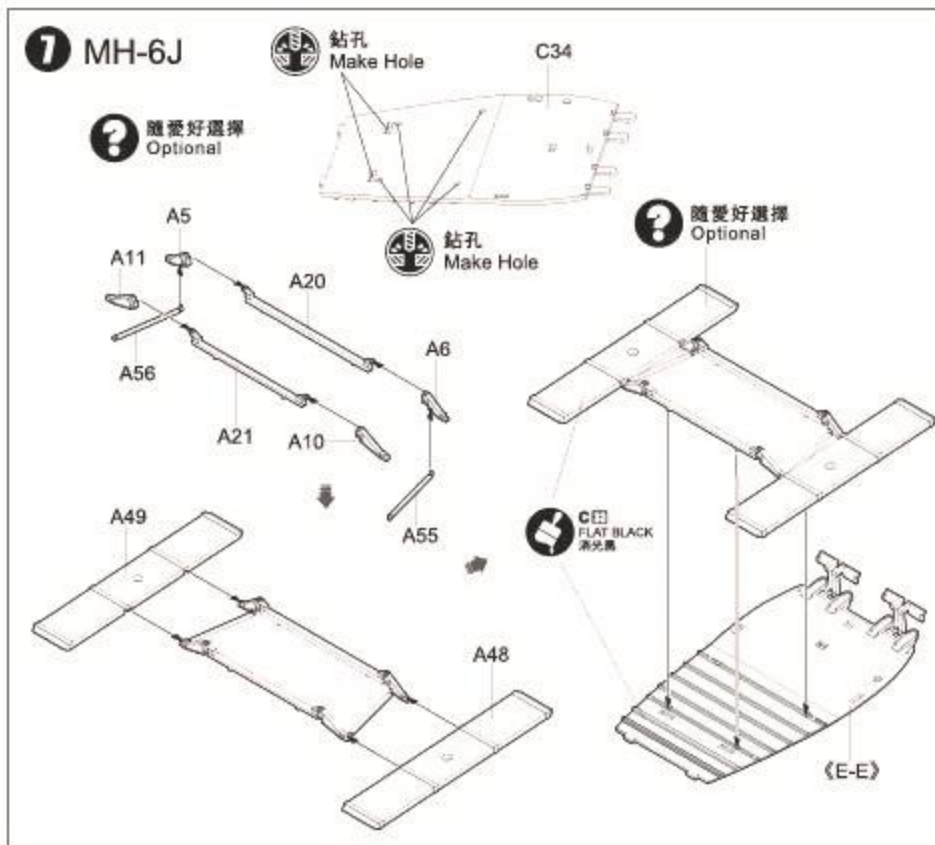
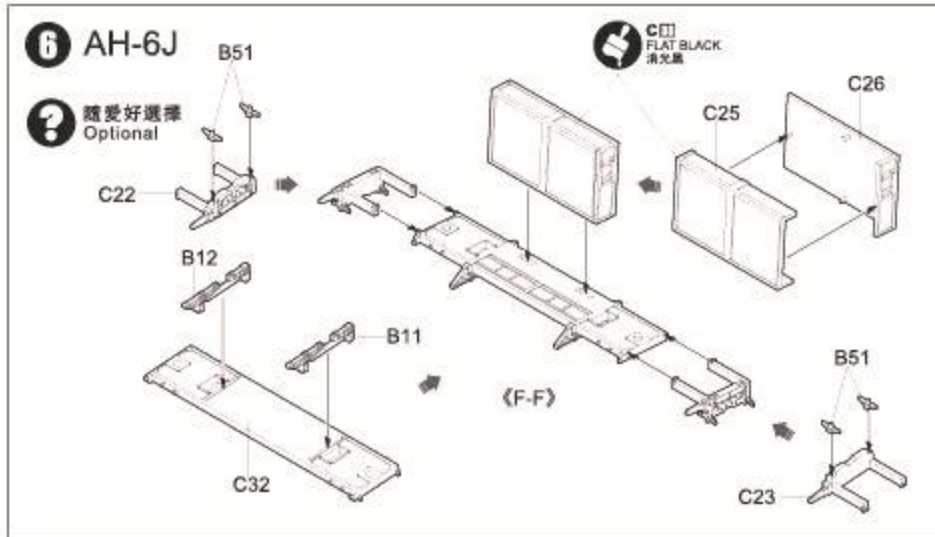


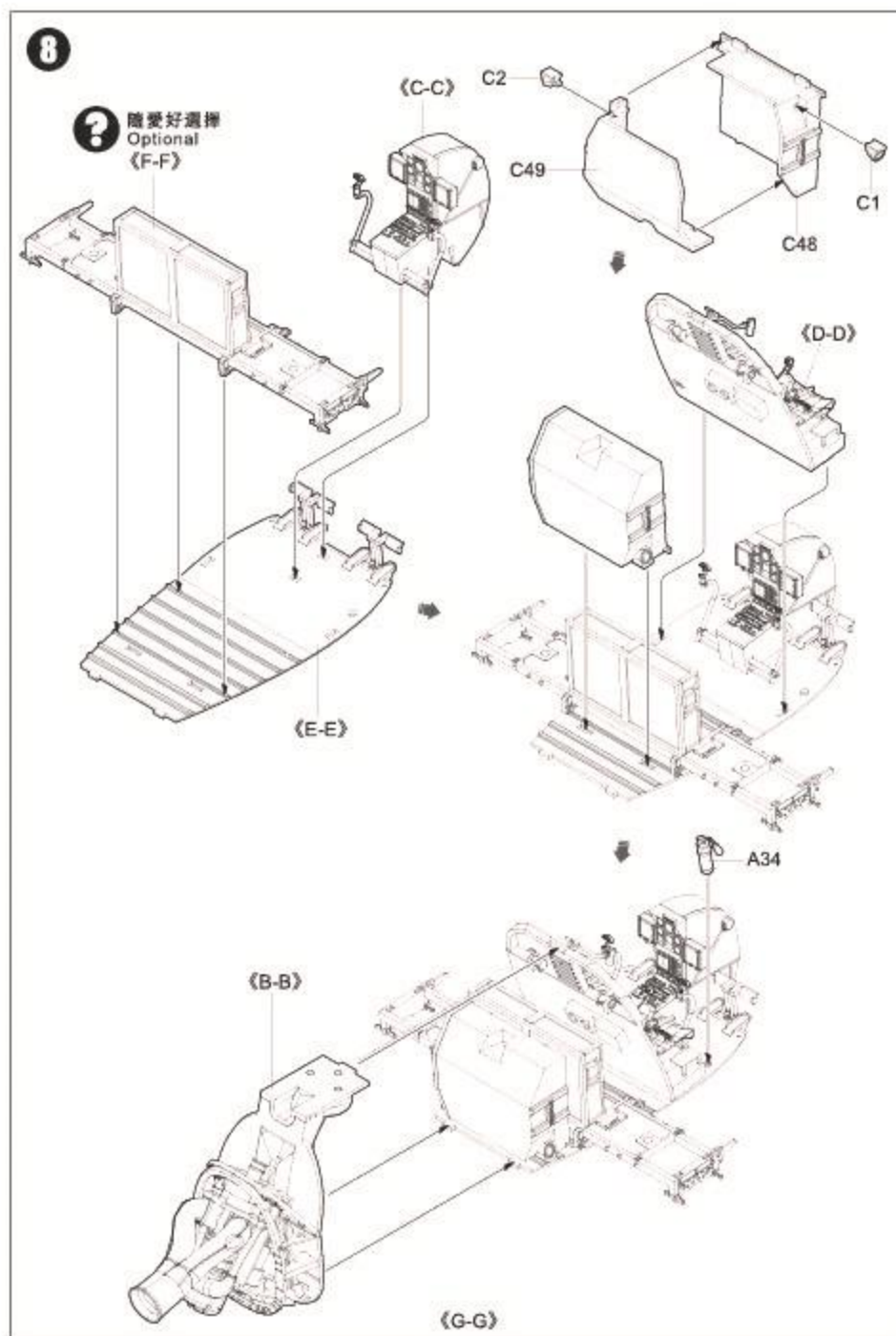
Decal A
水贴纸A

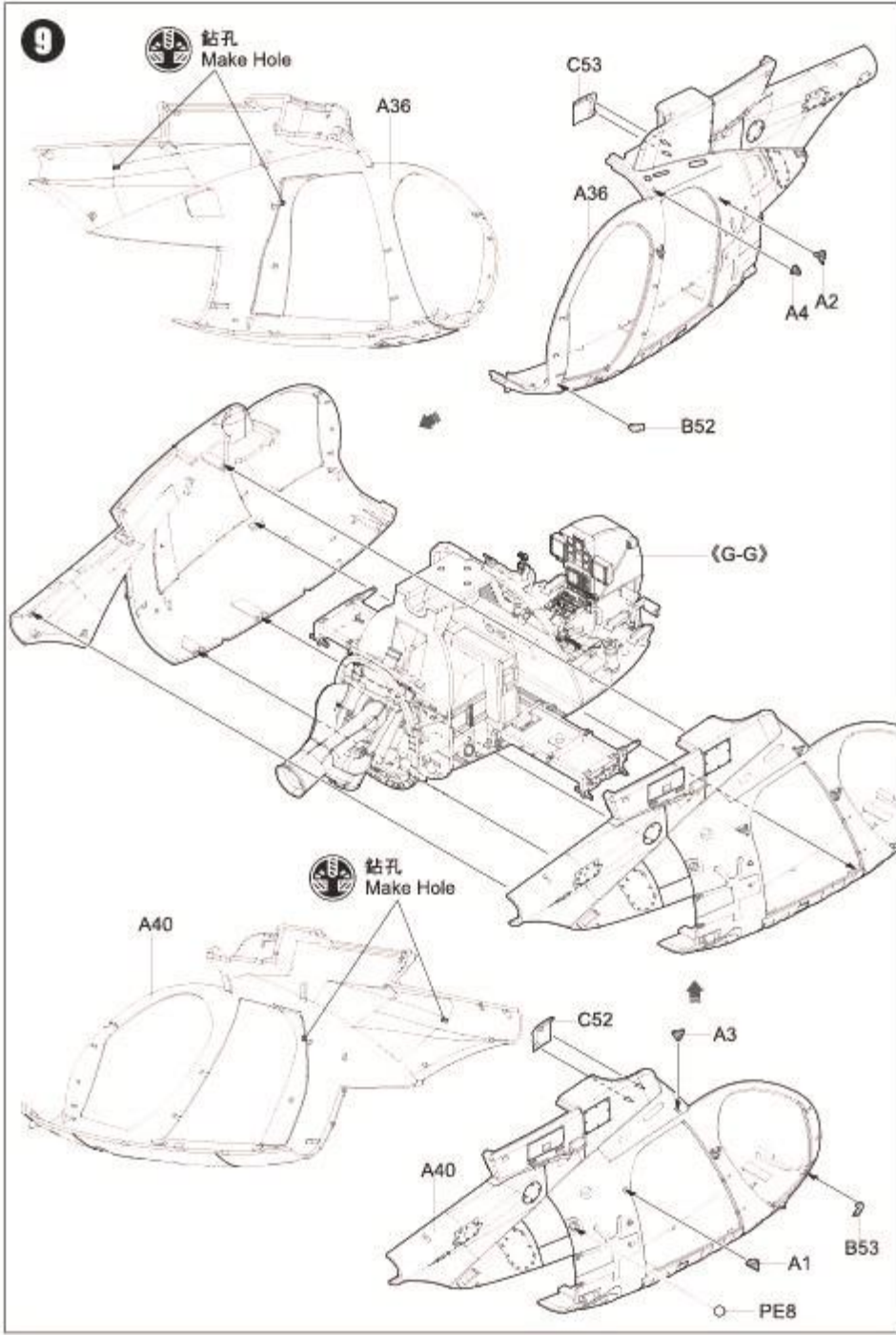


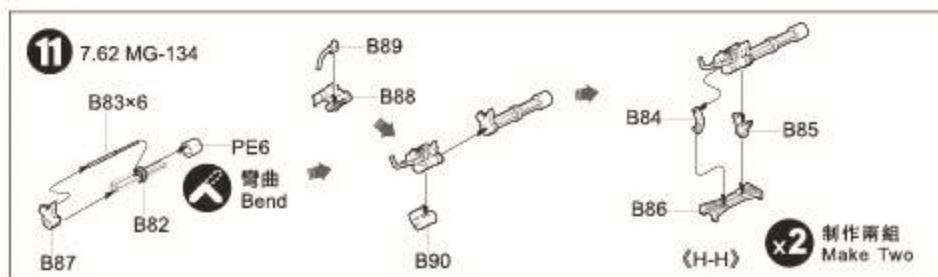
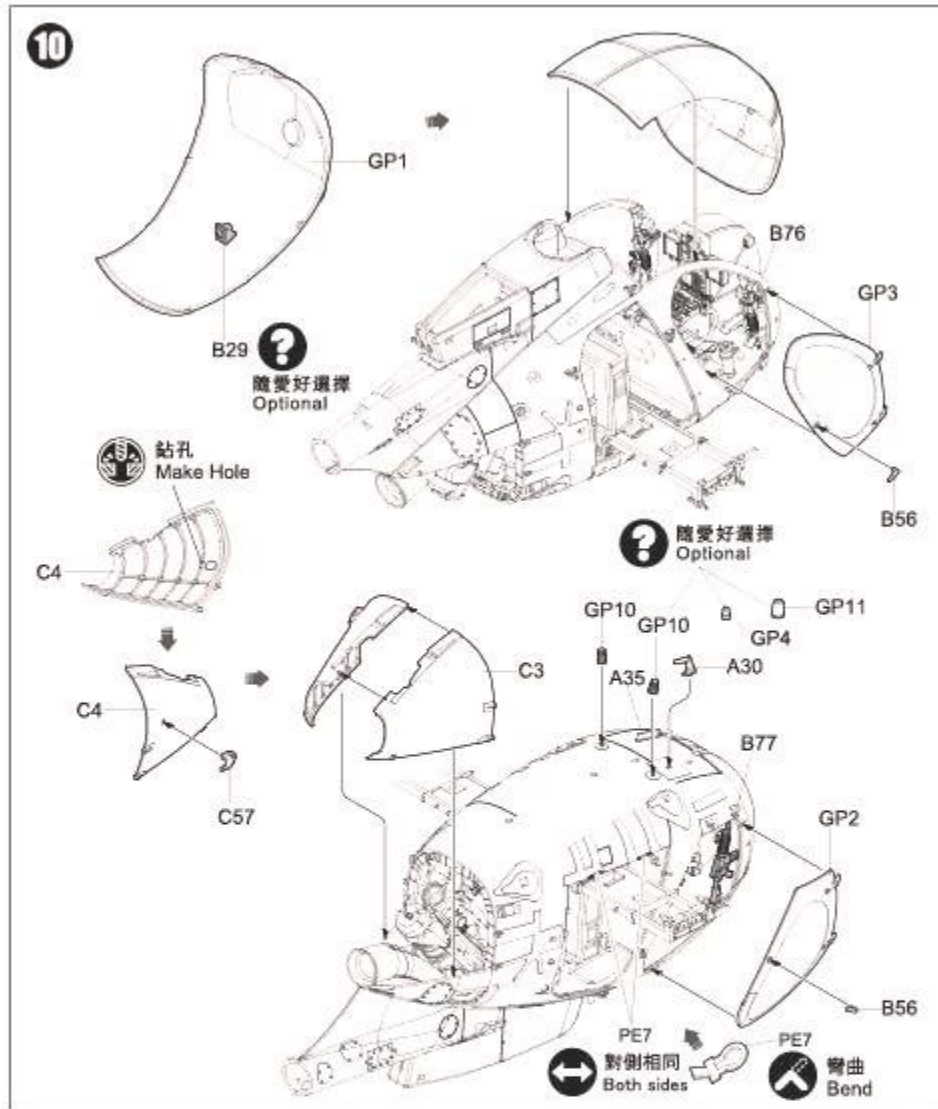


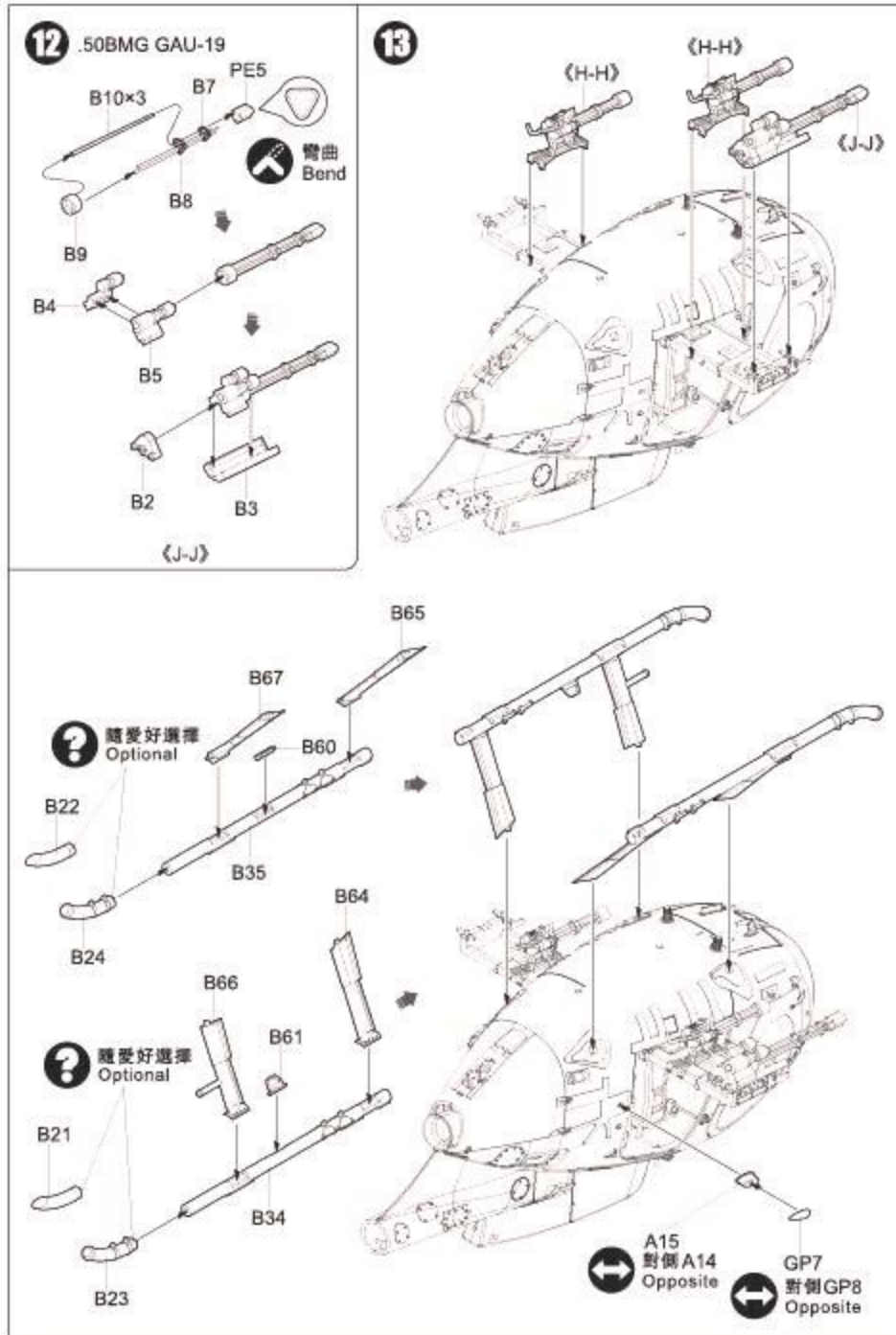




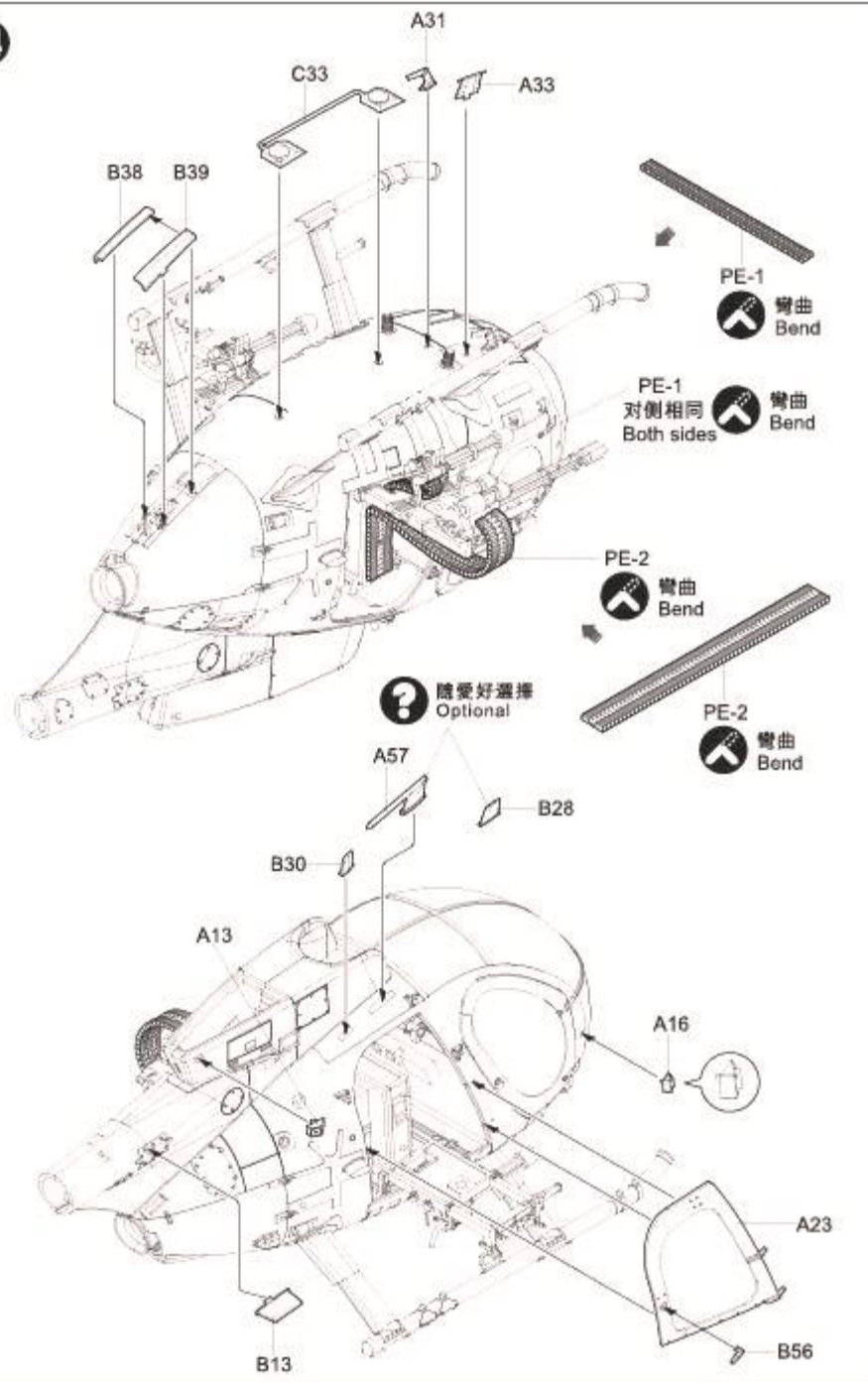


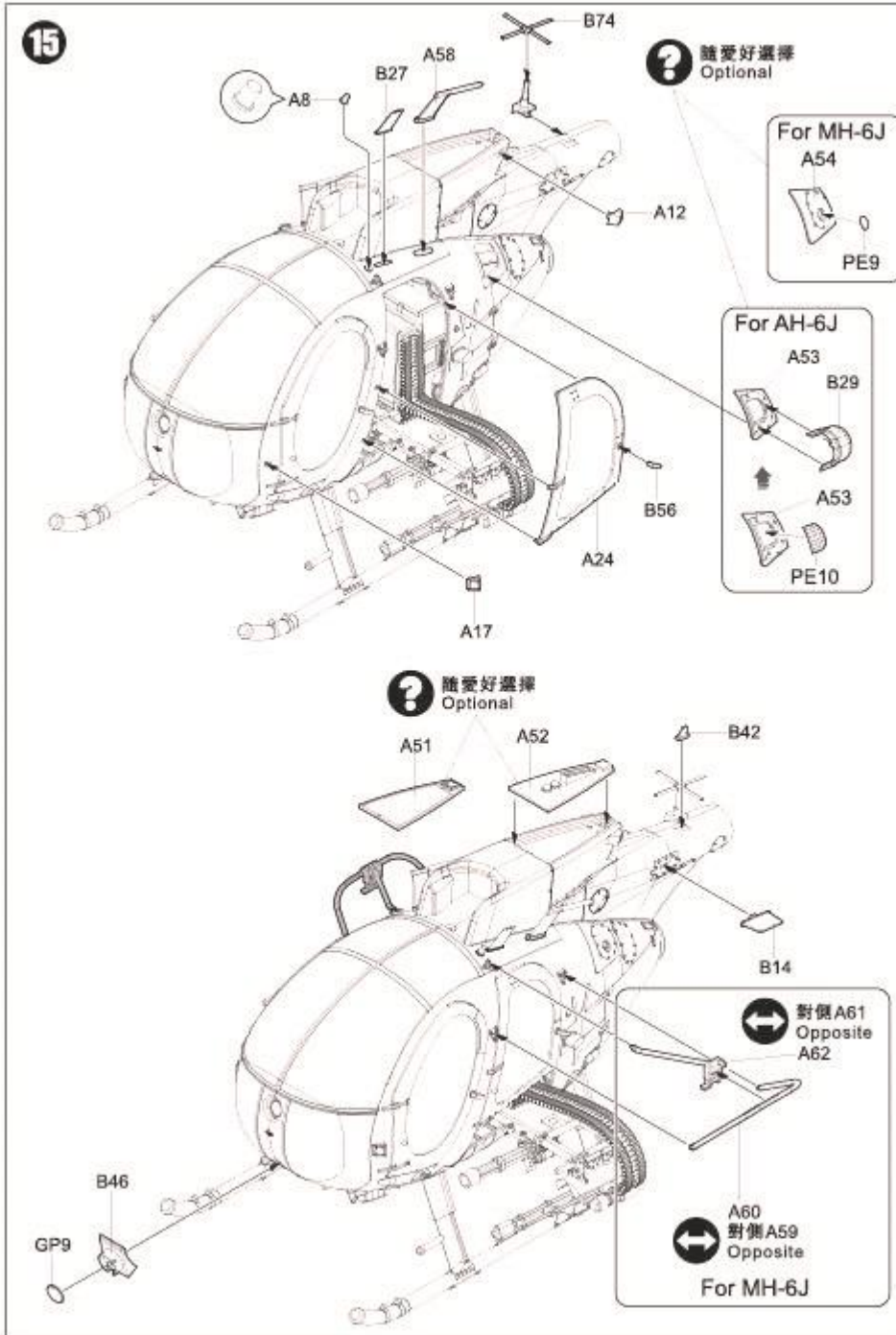


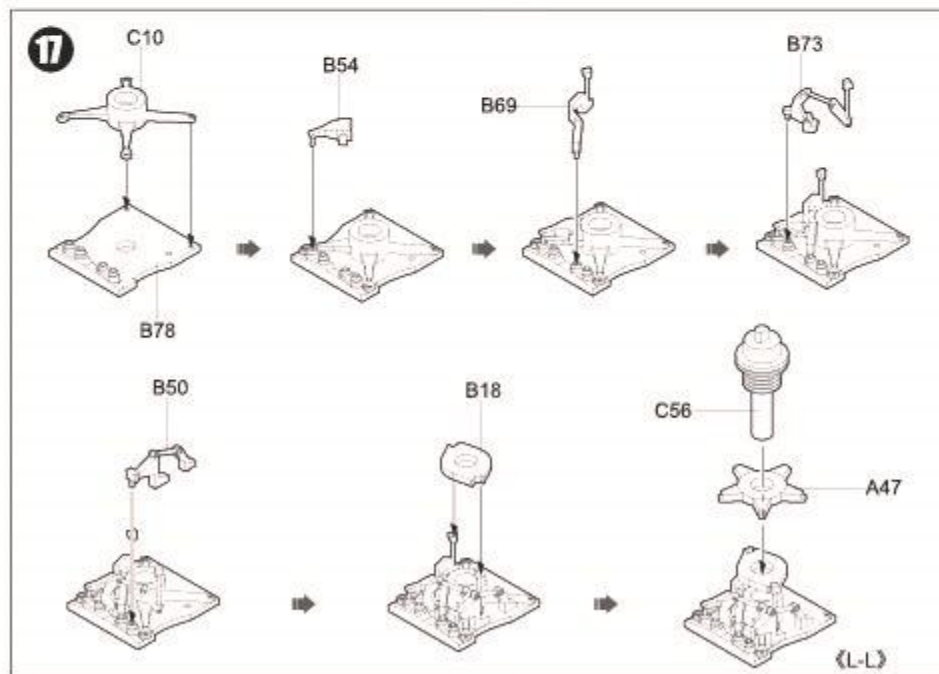
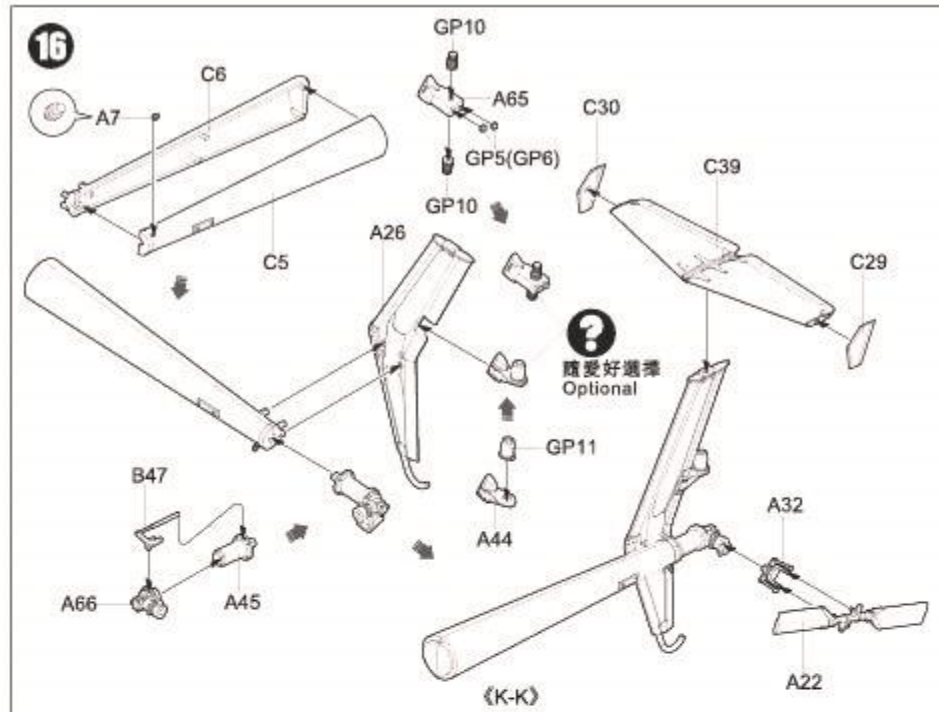




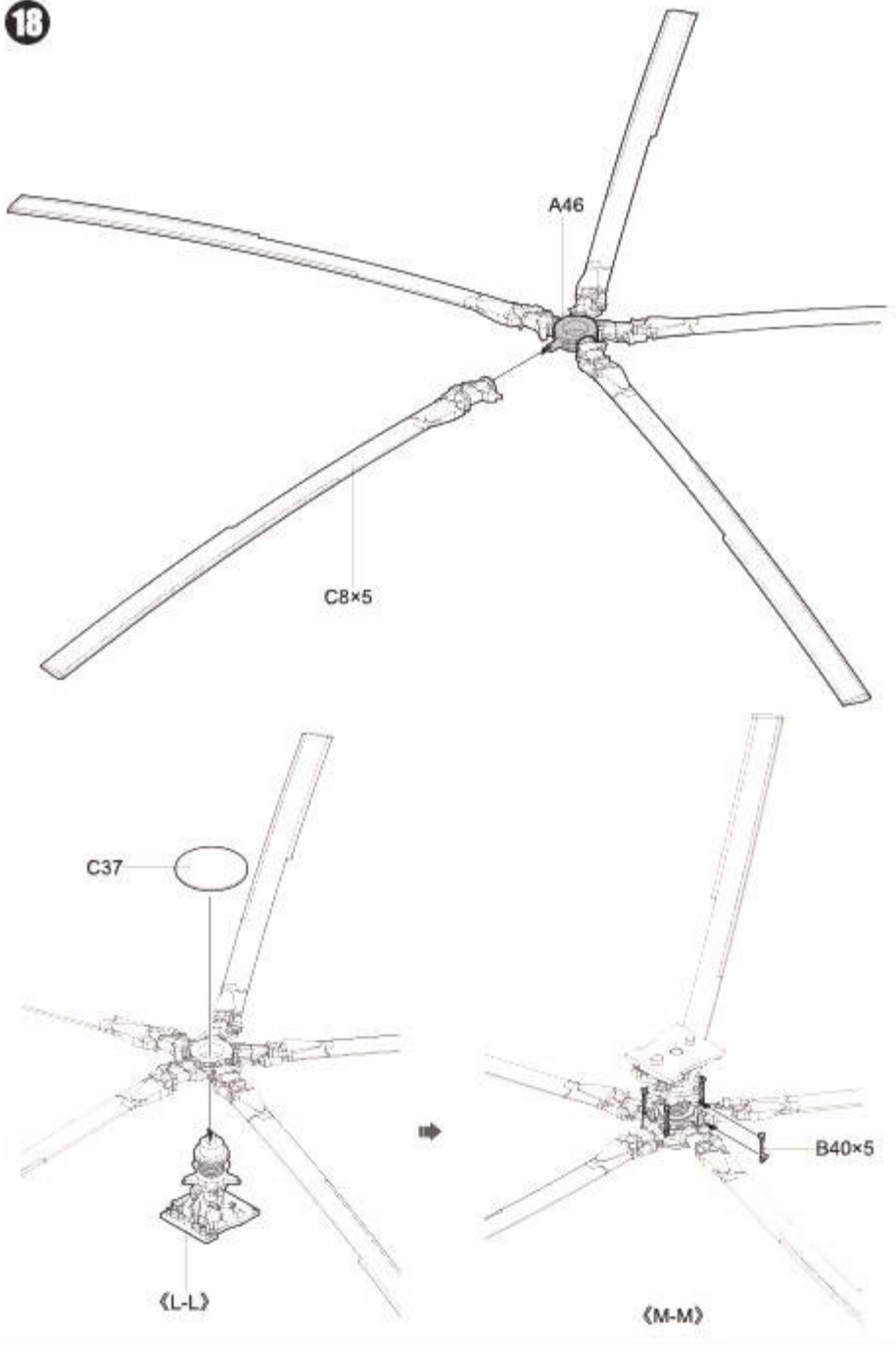
14



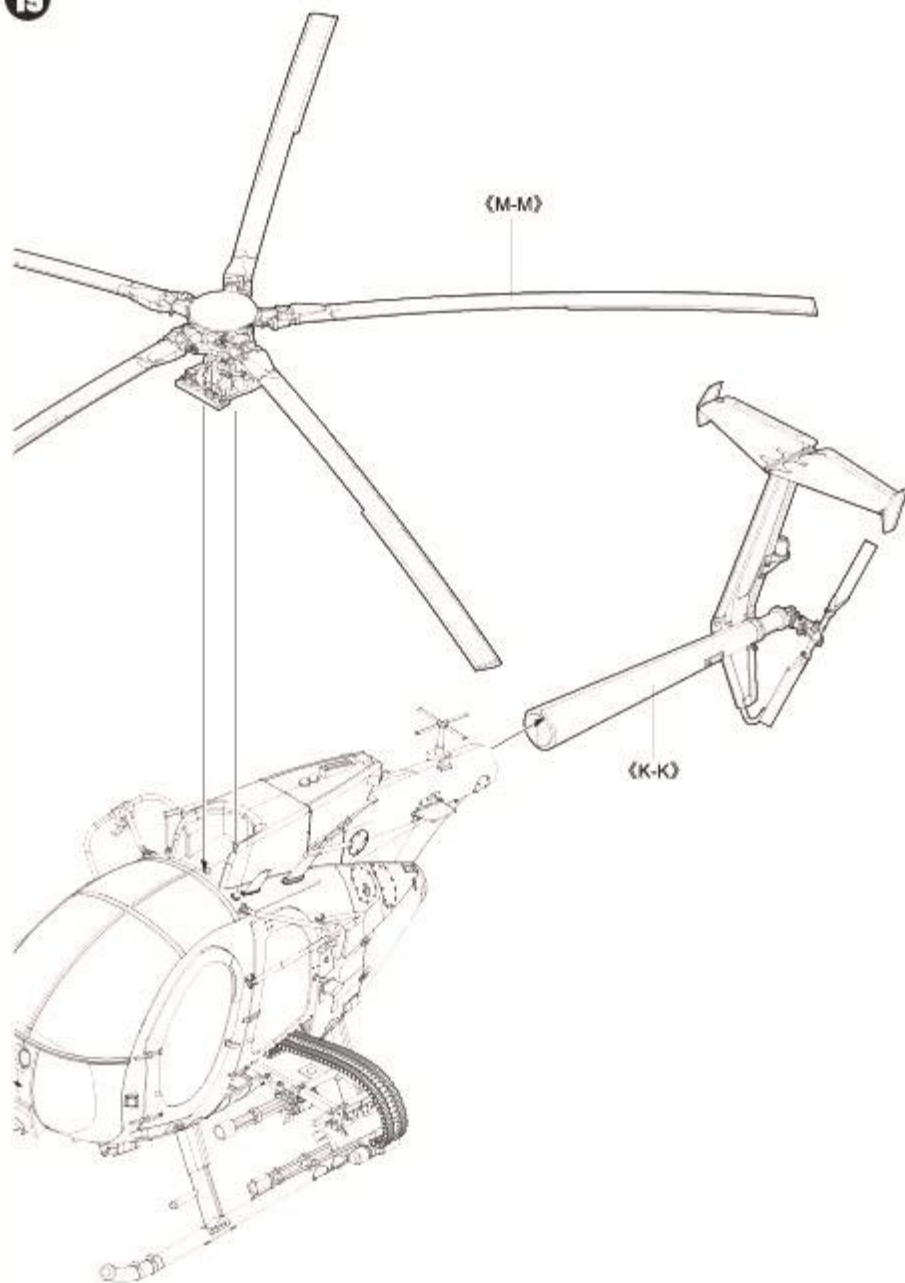




18

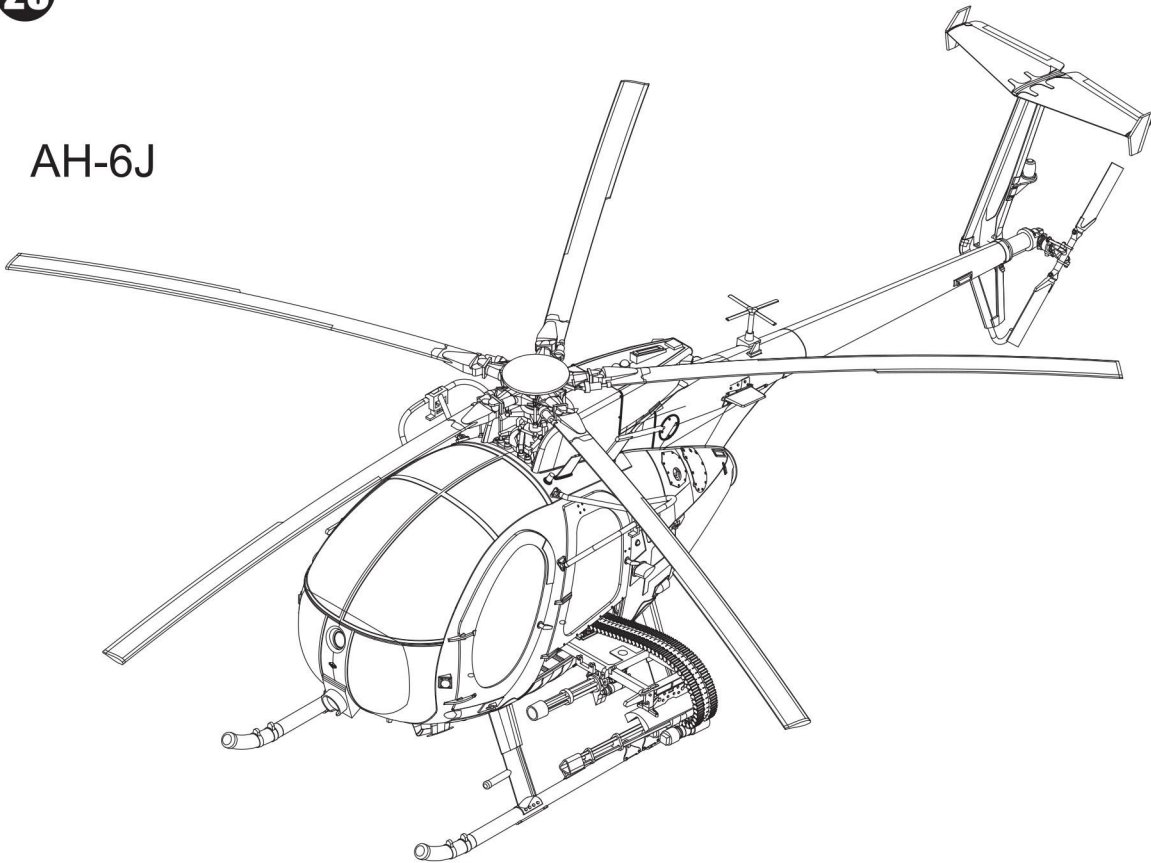


19



20

AH-6J



MH-6J



21 M260 FFAR 2.75" 12-Rocket pods.

22 AGM-114 Hellfire

x2 制作兩組
Make Two

23 M260 FFAR 2.75" 7-Rocket pods.

✓ 組合完成
Finished Assembly

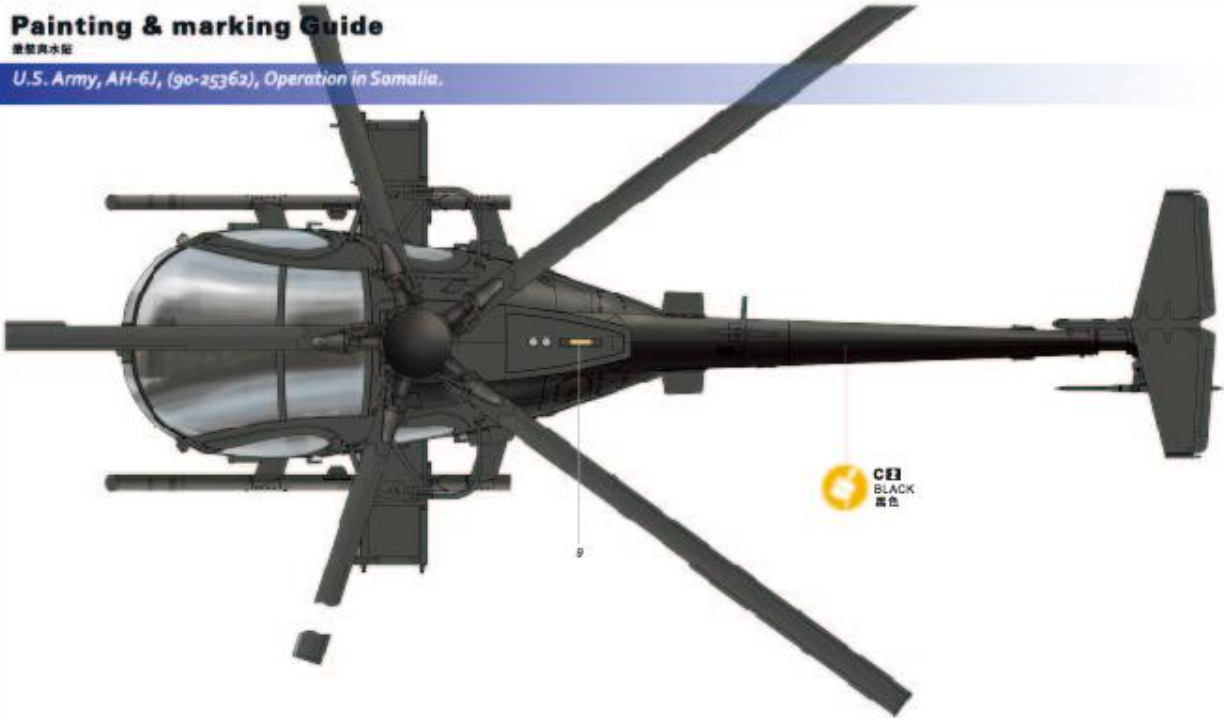
Missile	Sta. No	1	2	3	4
.50BMG GAU-19					●
7.62 MG-134			●	●	
M260 FFAR 2.75" 12-Rocket pods.		●			●
M260 FFAR 2.75" 7-Rocket pods.		●			●
AGM-114 Hellfire		●			●

Painting & marking Guide

涂装与标记

U.S. Army, AH-6J, (90-25362), Operation in Somalia.

10



15

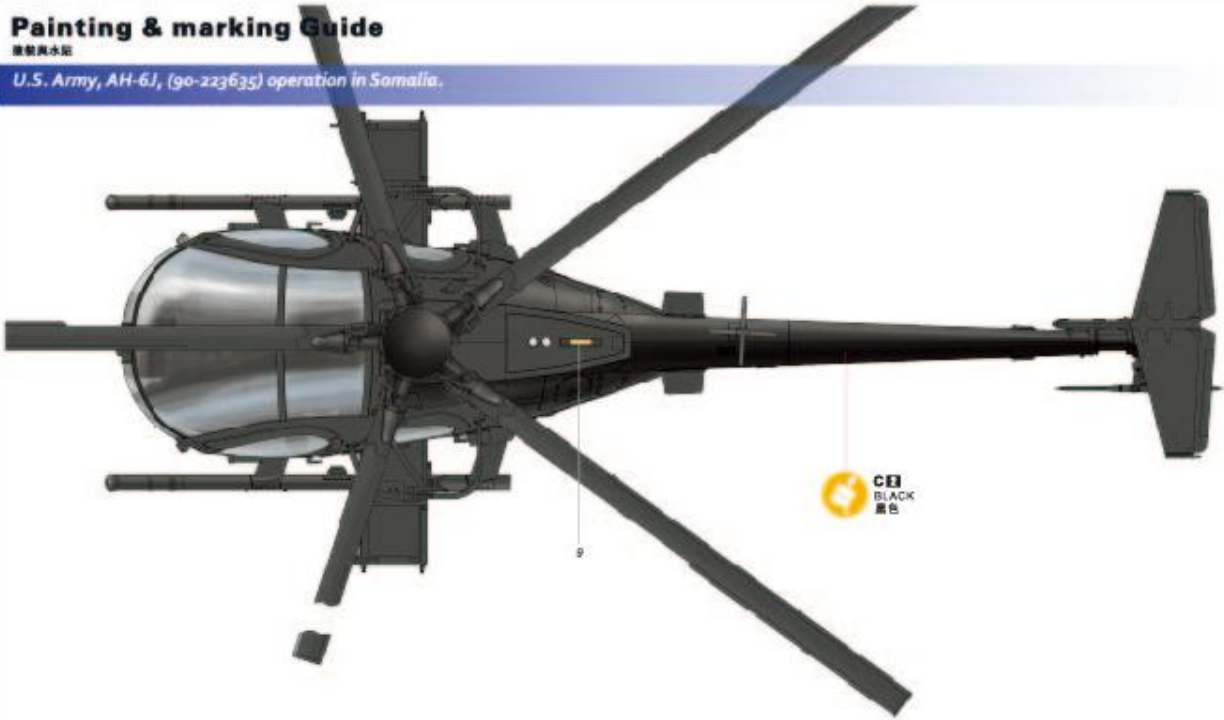


Painting & marking Guide

涂装与标记

U.S. Army, AH-6J, (90-223635) operation in Somalia.

14



11

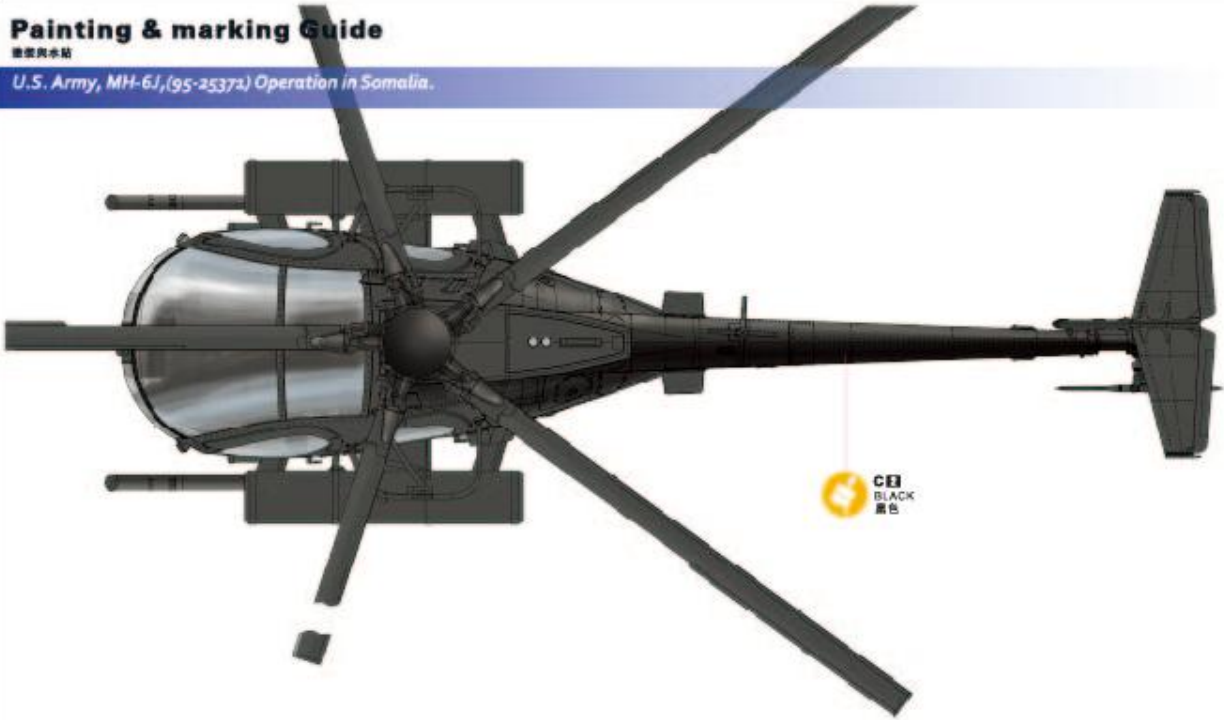


Painting & marking Guide

涂装指南

U.S. Army, MH-6J,(95-25371) Operation in Somalia.

16



9



29