

**Instruction**

模型拼裝說明書

**1:35 Scale**



# HH-60H Rescue Hawk




1:35 HH-60H “救援鹰” 直升机


ZM50010


# READ BEFORE ASSEMBLY

在組合您的模型之前，請充分閱讀本冊說明書。組合模型您需要如下物品（需另購）：模型膠水；一把模型鉗或一把用于將零件從框架上切下的模型筆刀。筆刀同樣可以用來修整零件的合模綫。祝您制作愉快！

Before assembling your model kit, read through these instructions carefully. To assemble this kit, you will need Plastic glue (not included). A pair of side cutter or a sharp modelling knife is required for removing parts from the frame. Plastic mold lines can be removed with the modelling knife.


 請注意  
Special instructions

 隨愛好選擇  
Optional


 組合完成  
Finished Assembly

 彎曲  
Bend

 制作兩組  
Make Two

 鉗孔  
Make Hole

 塗色  
Painting

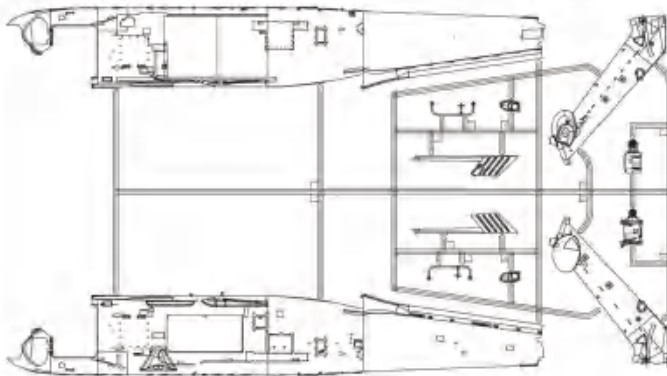
 無需膠粘  
Do Not Cement

 切除  
Cut

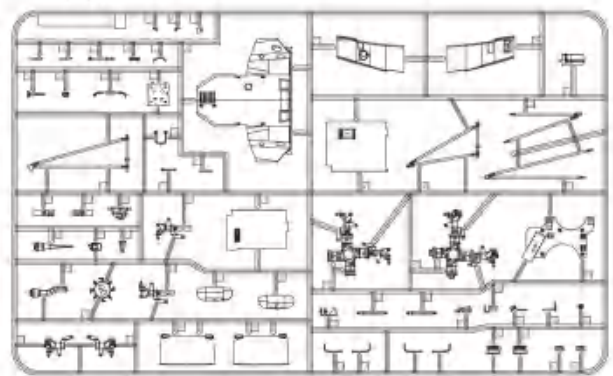
 對側  
Opposite

## 部品图 Part

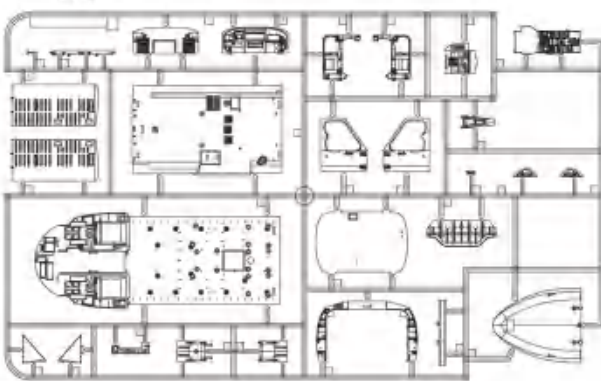
HA



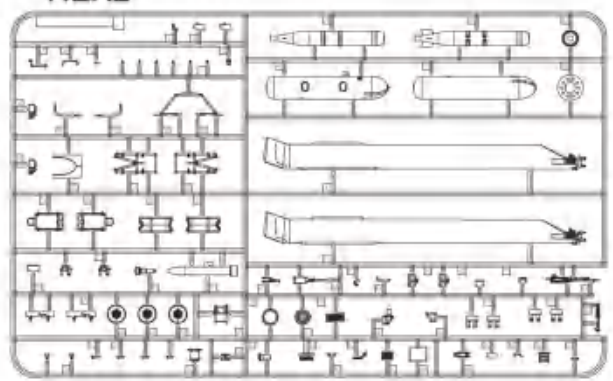
HD



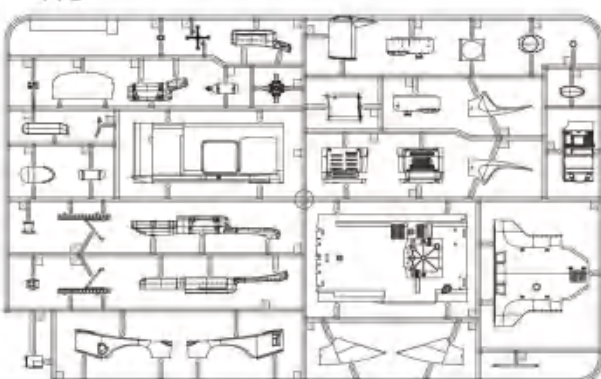
HB



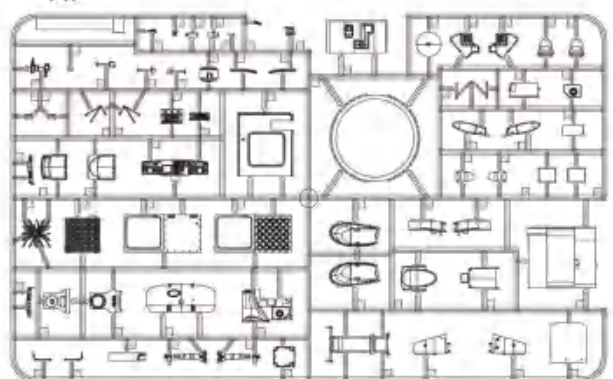
HEX2



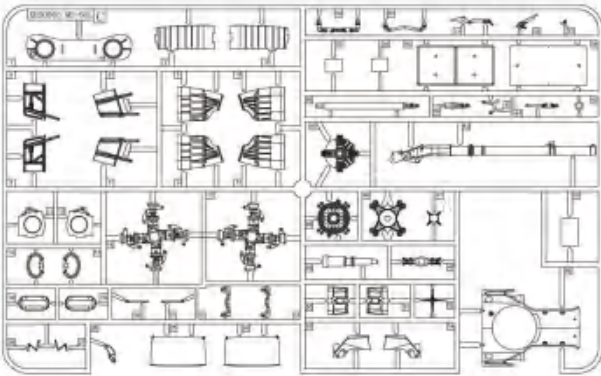
HC



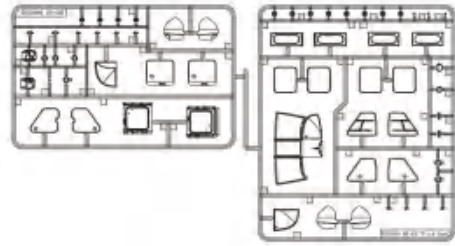
HF



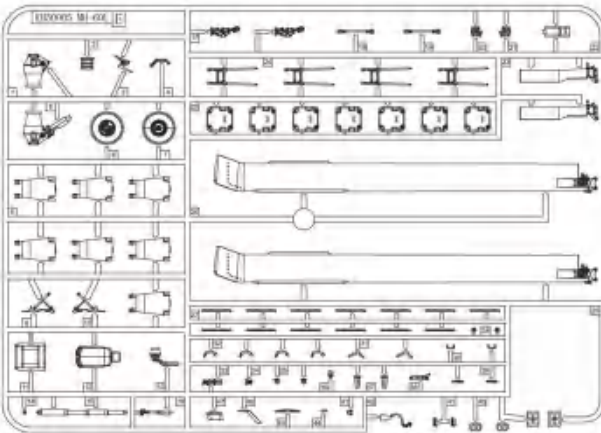
C



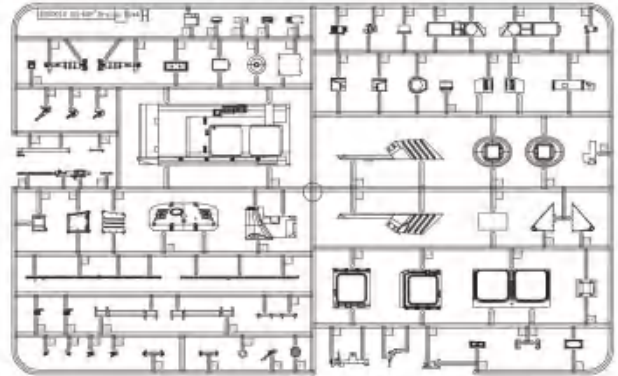
GP



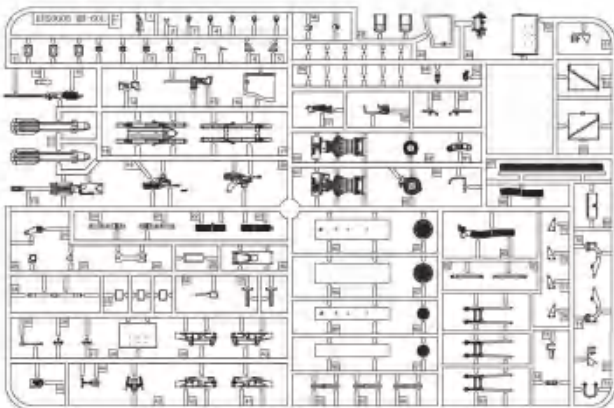
EX2



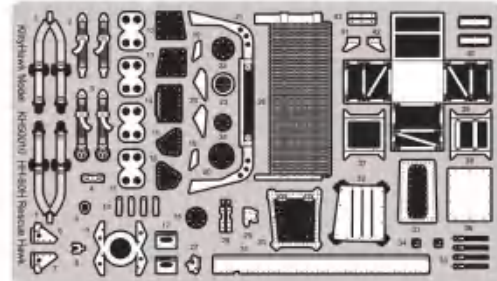
HH



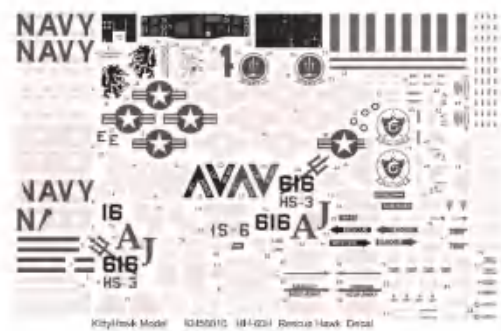
FX2

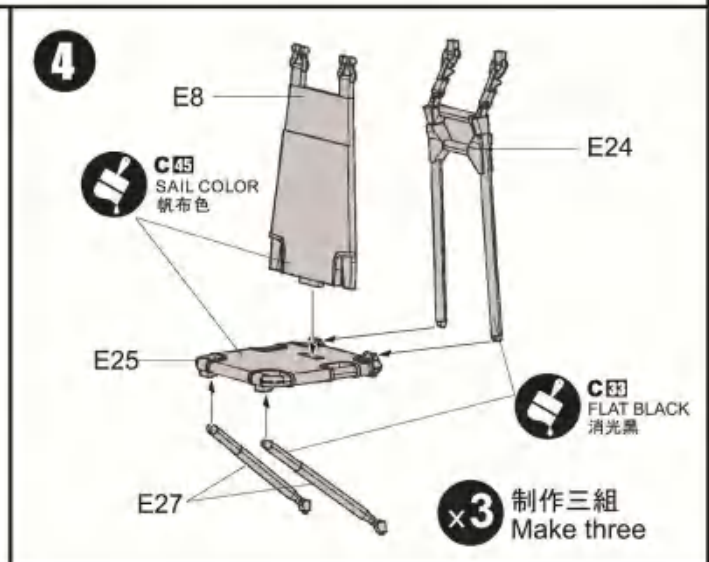
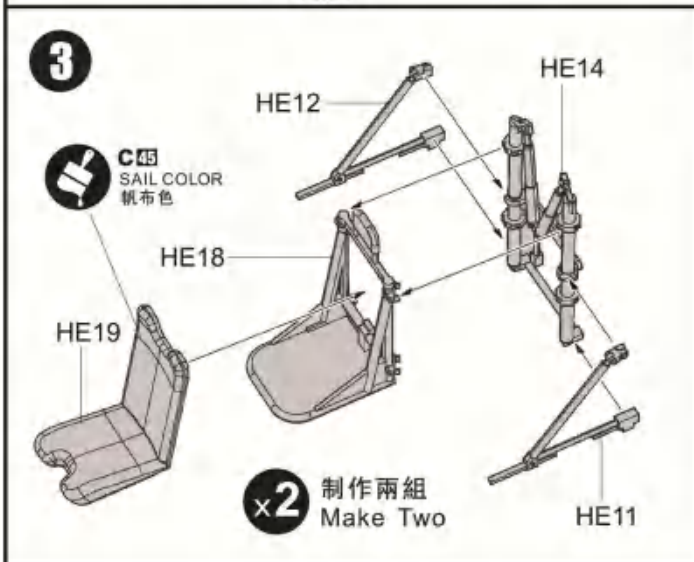
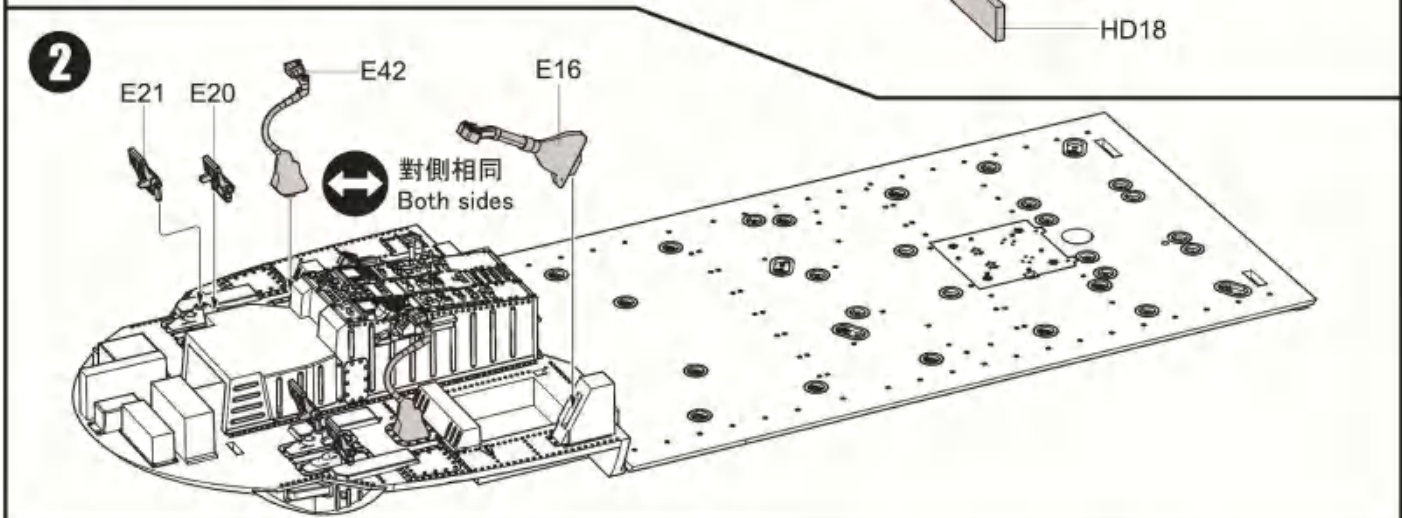
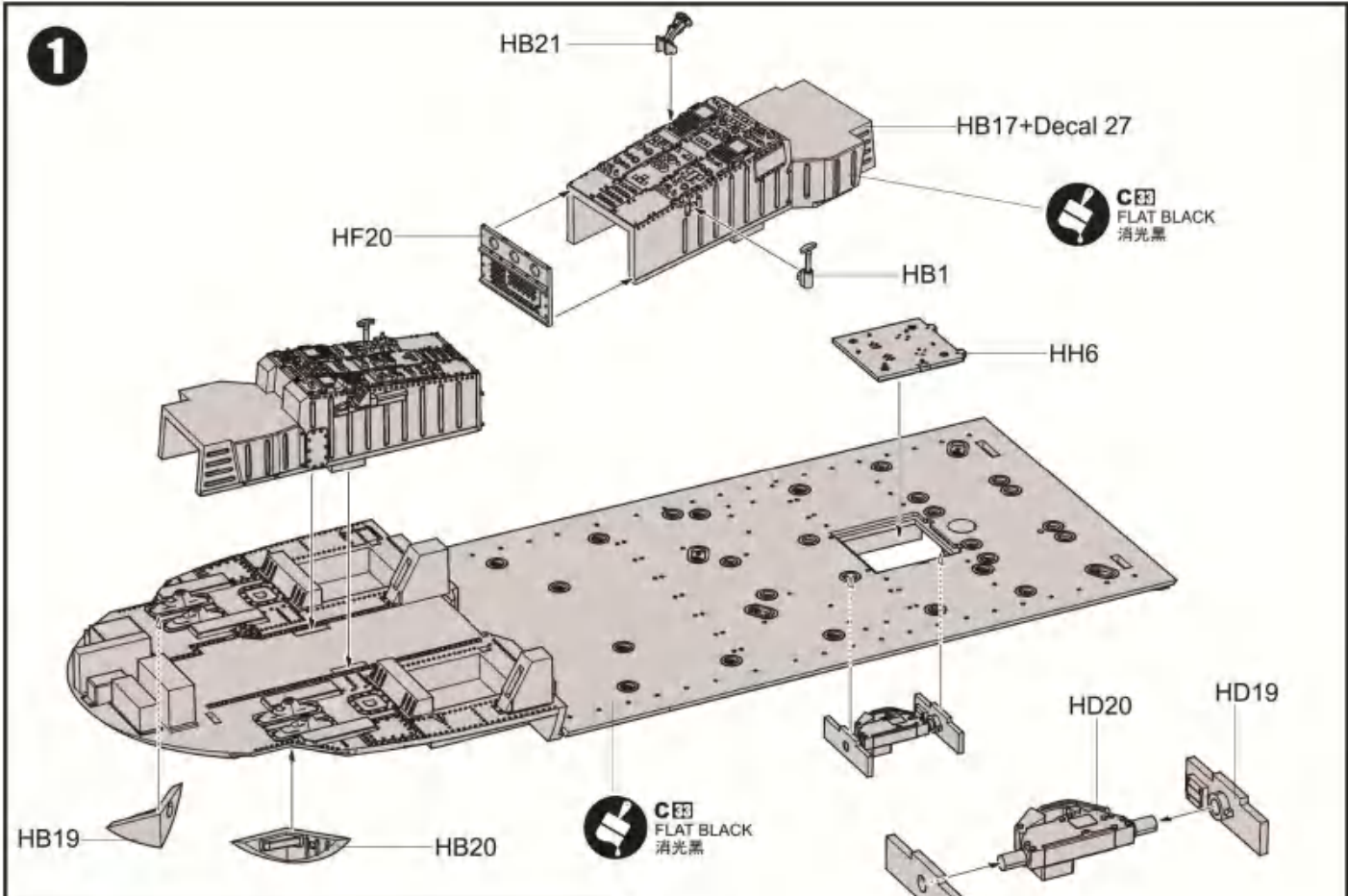


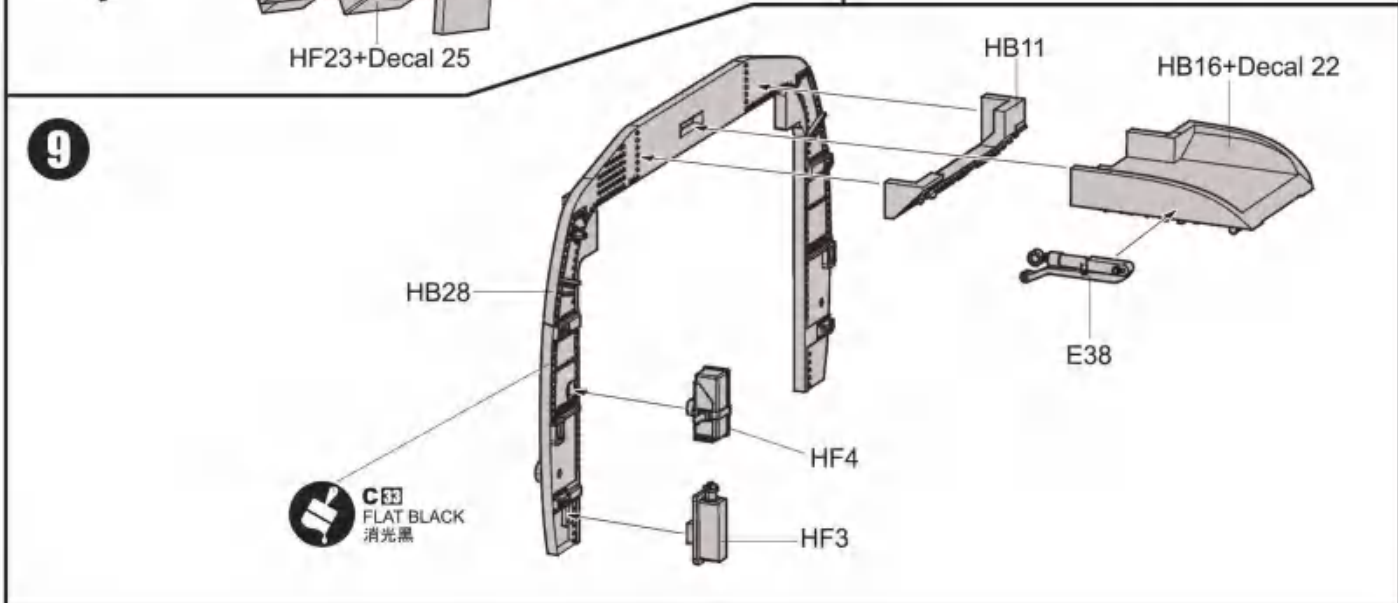
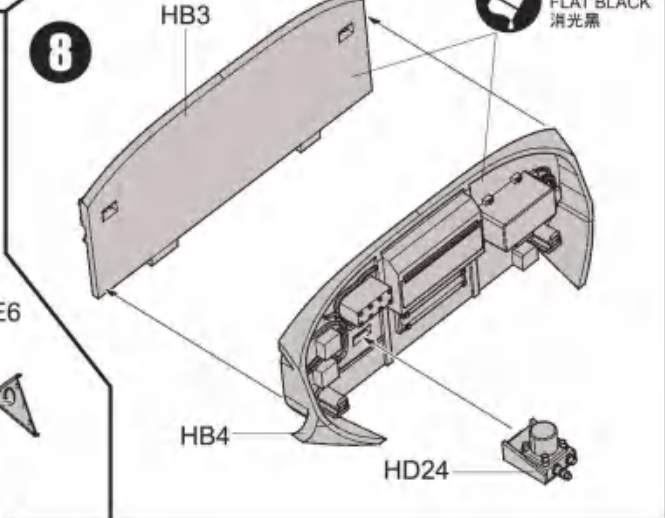
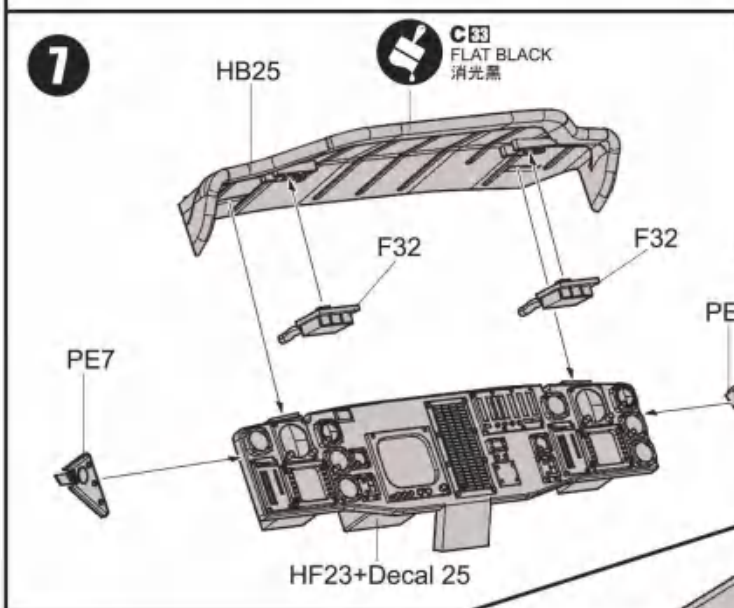
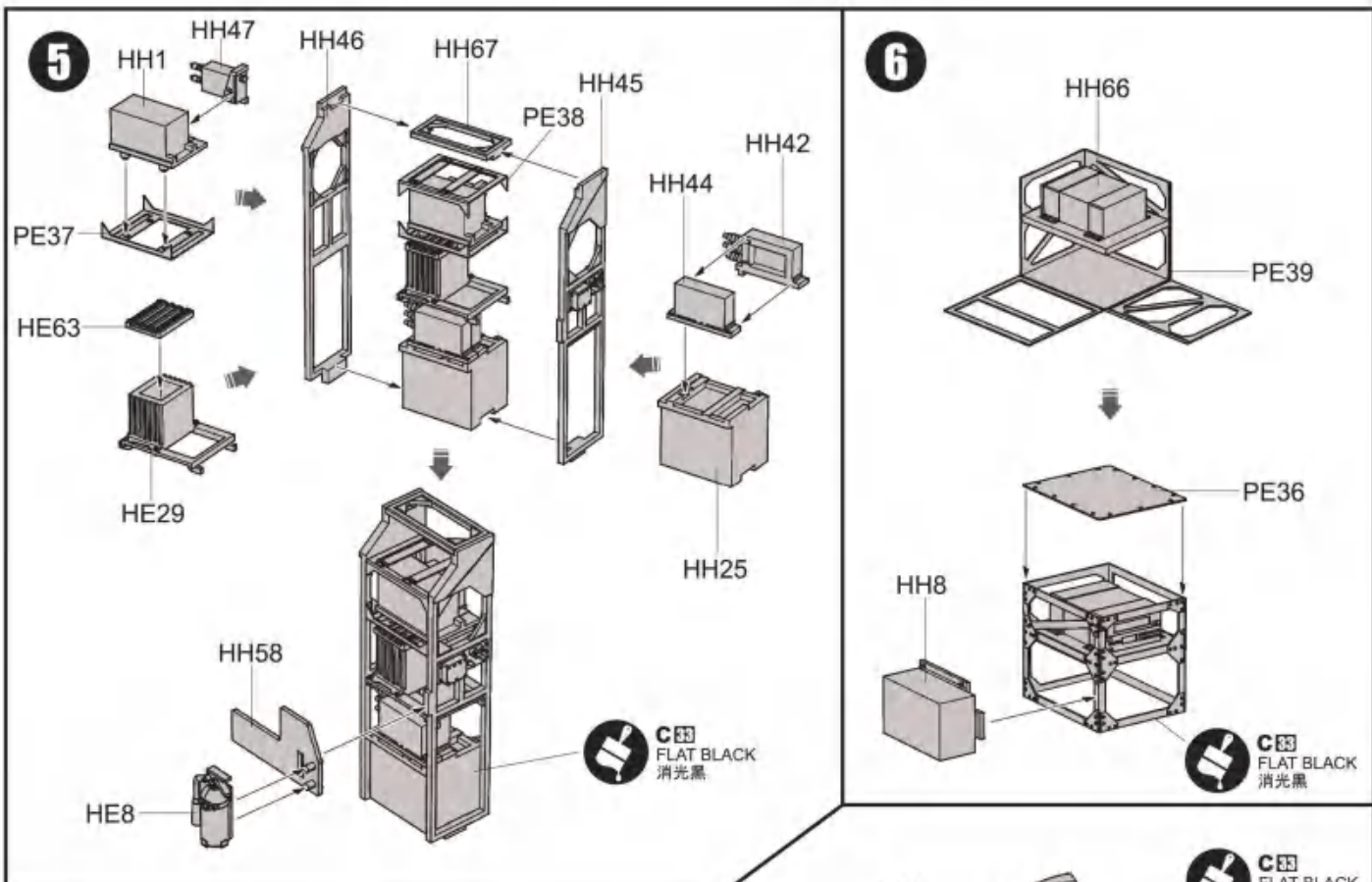
《蚀刻片》  
PE

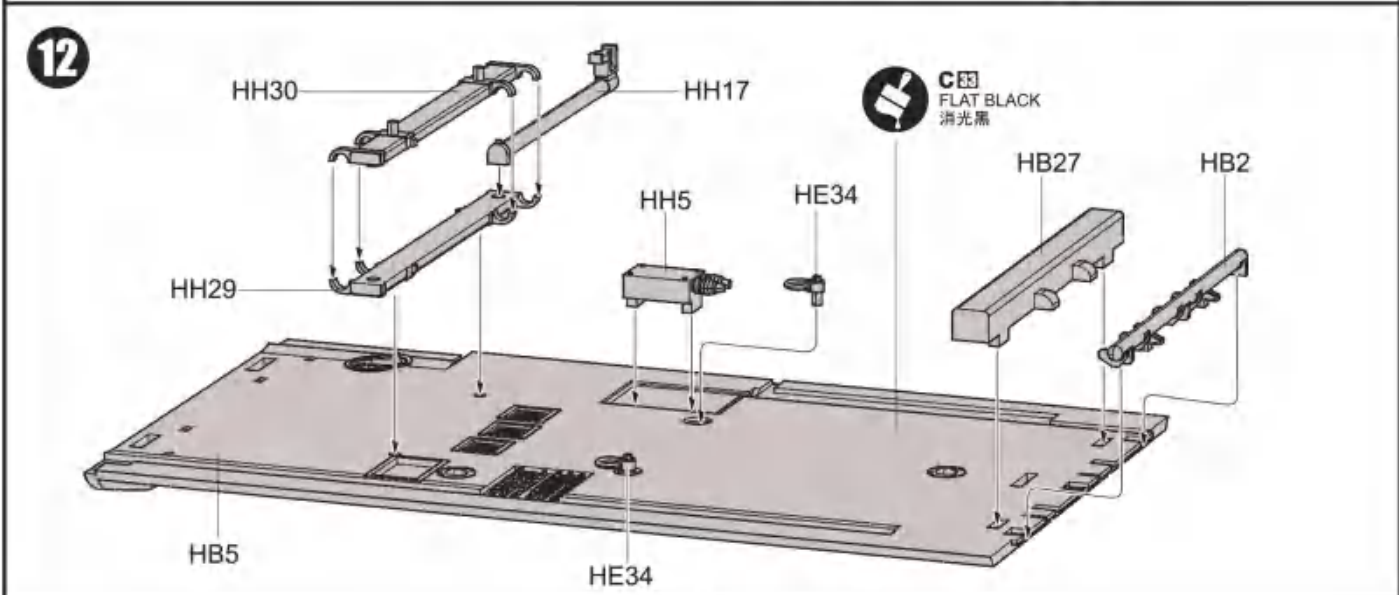
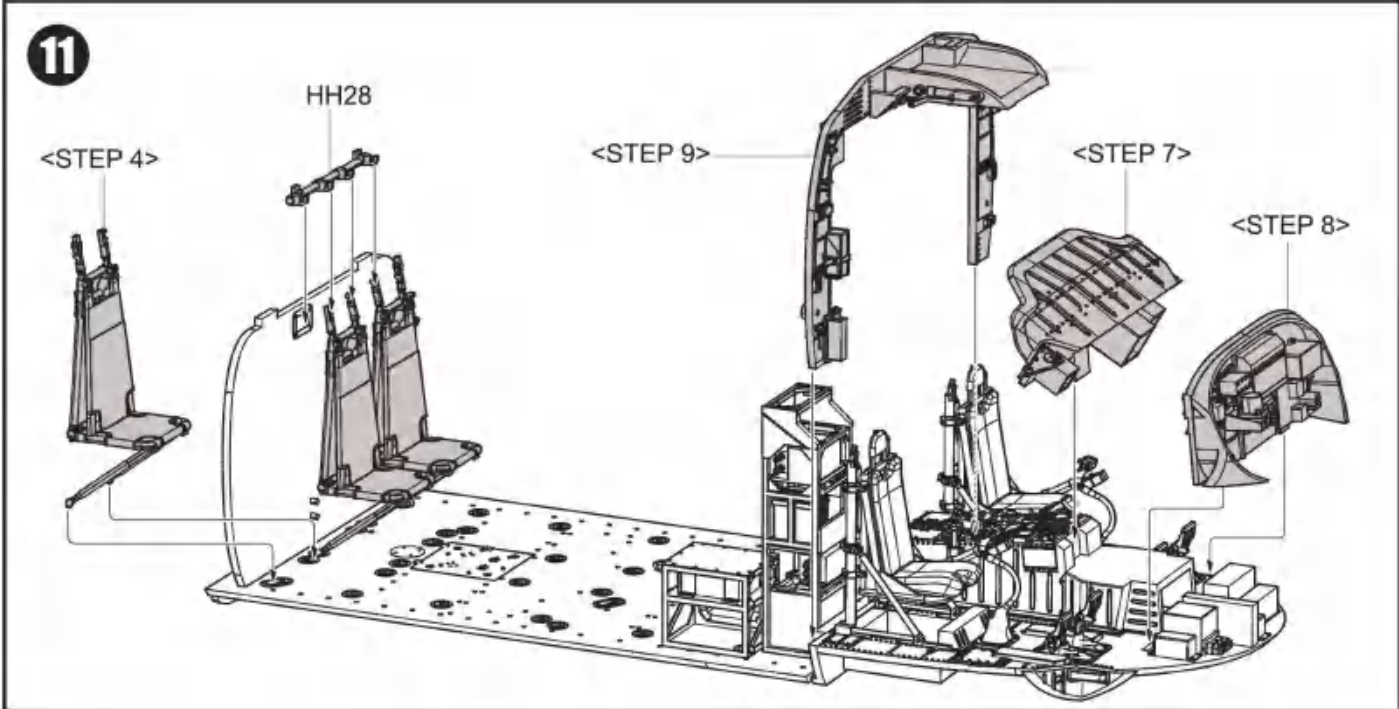
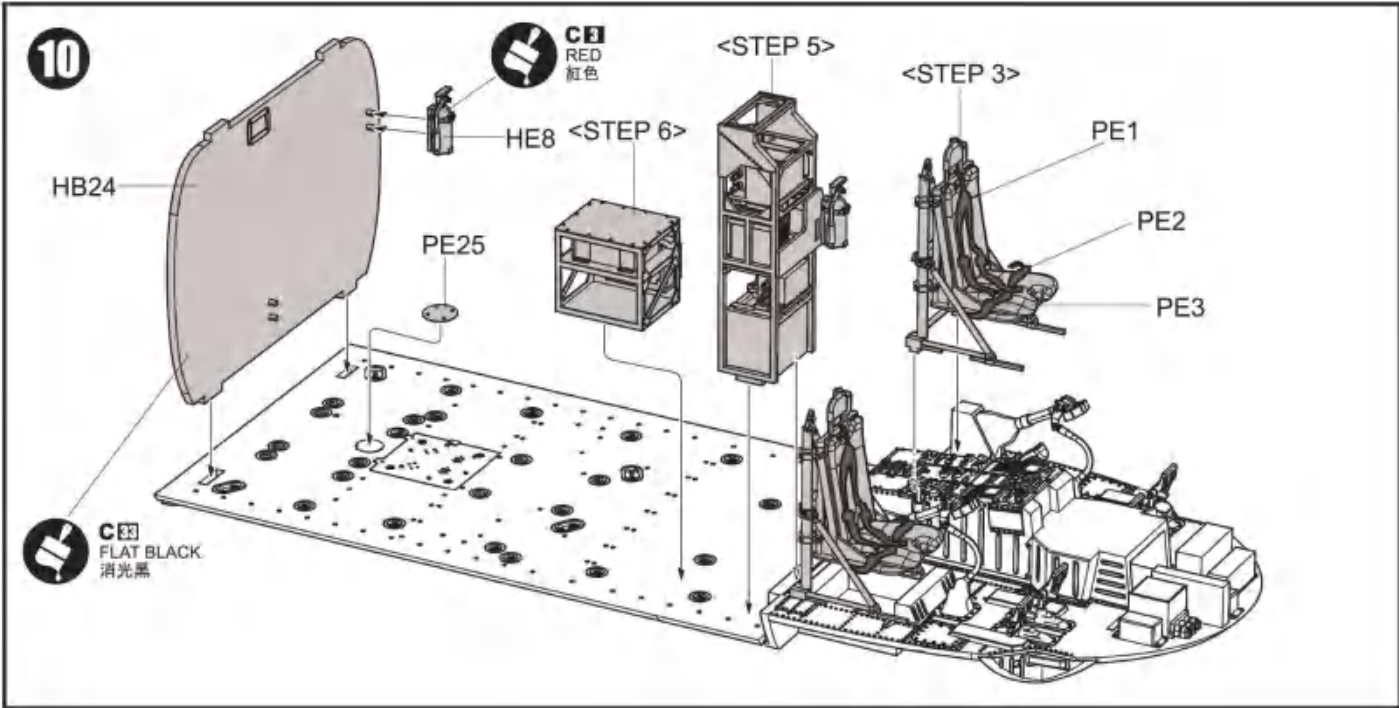


《水贴纸》  
Decal

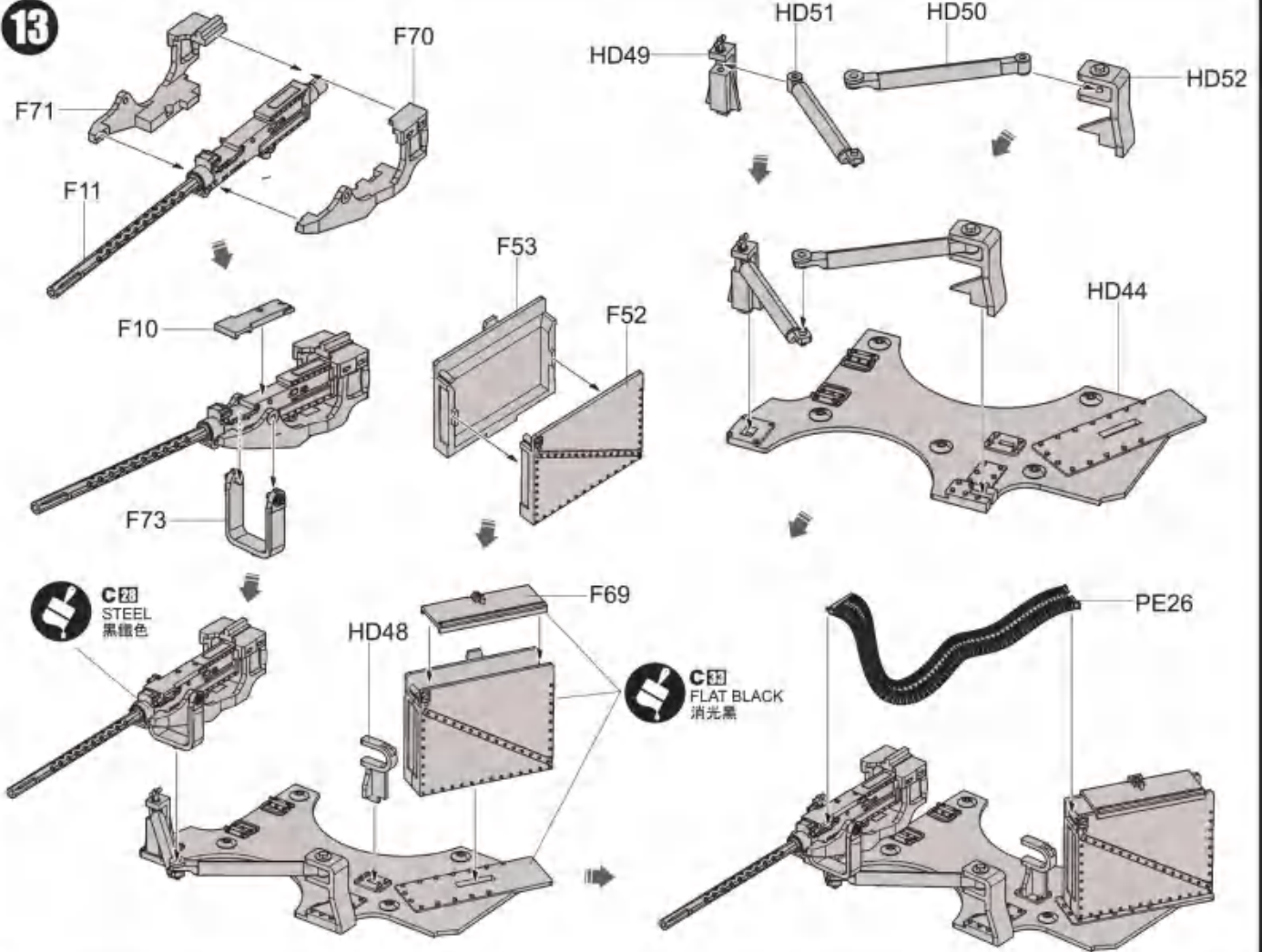




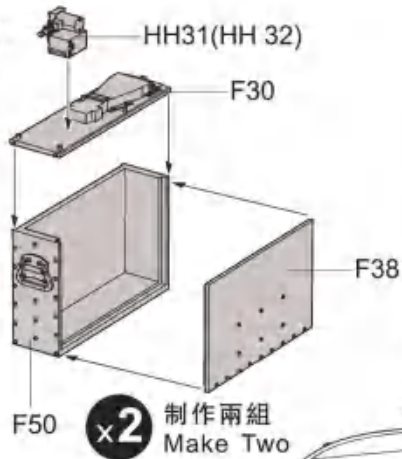




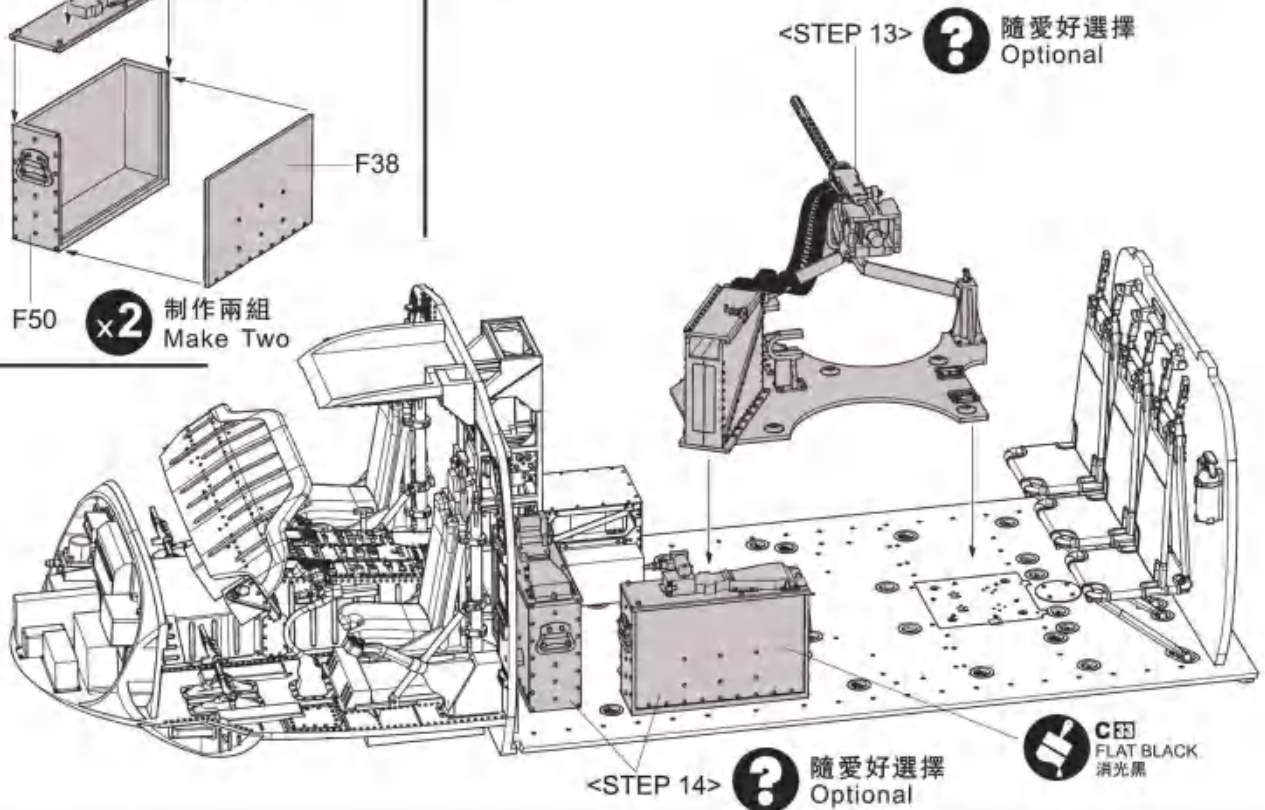
13



14



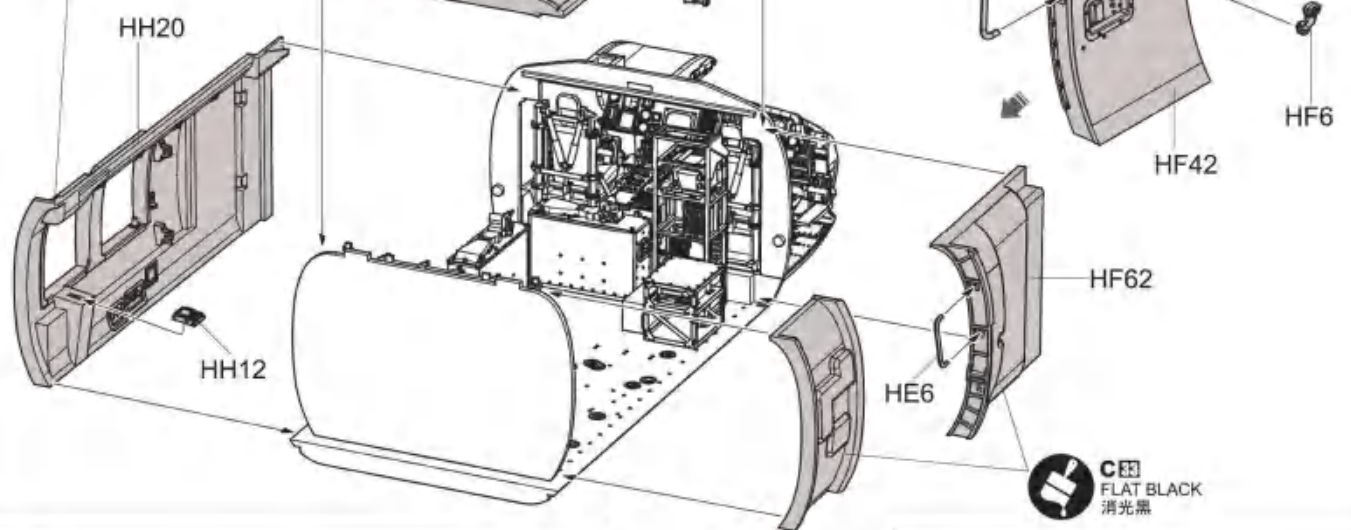
15



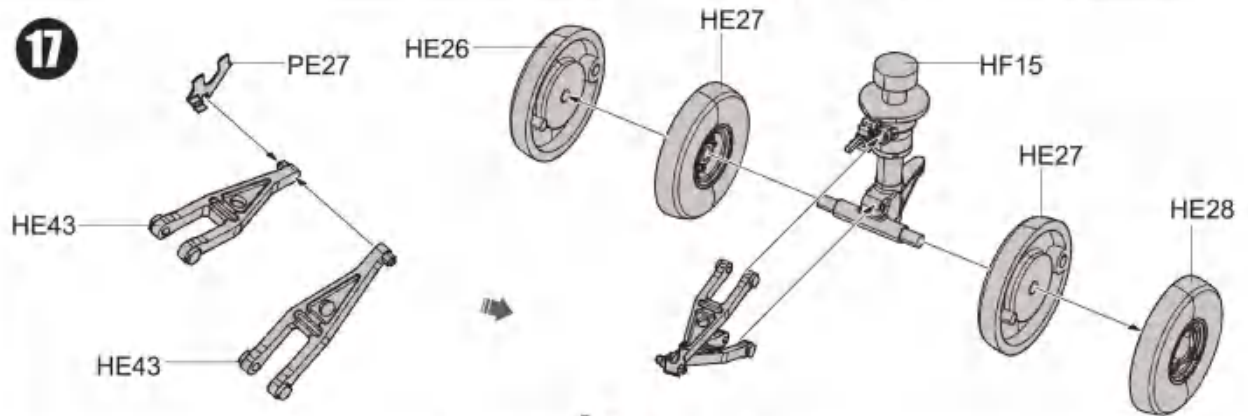
16

<STEP 12>

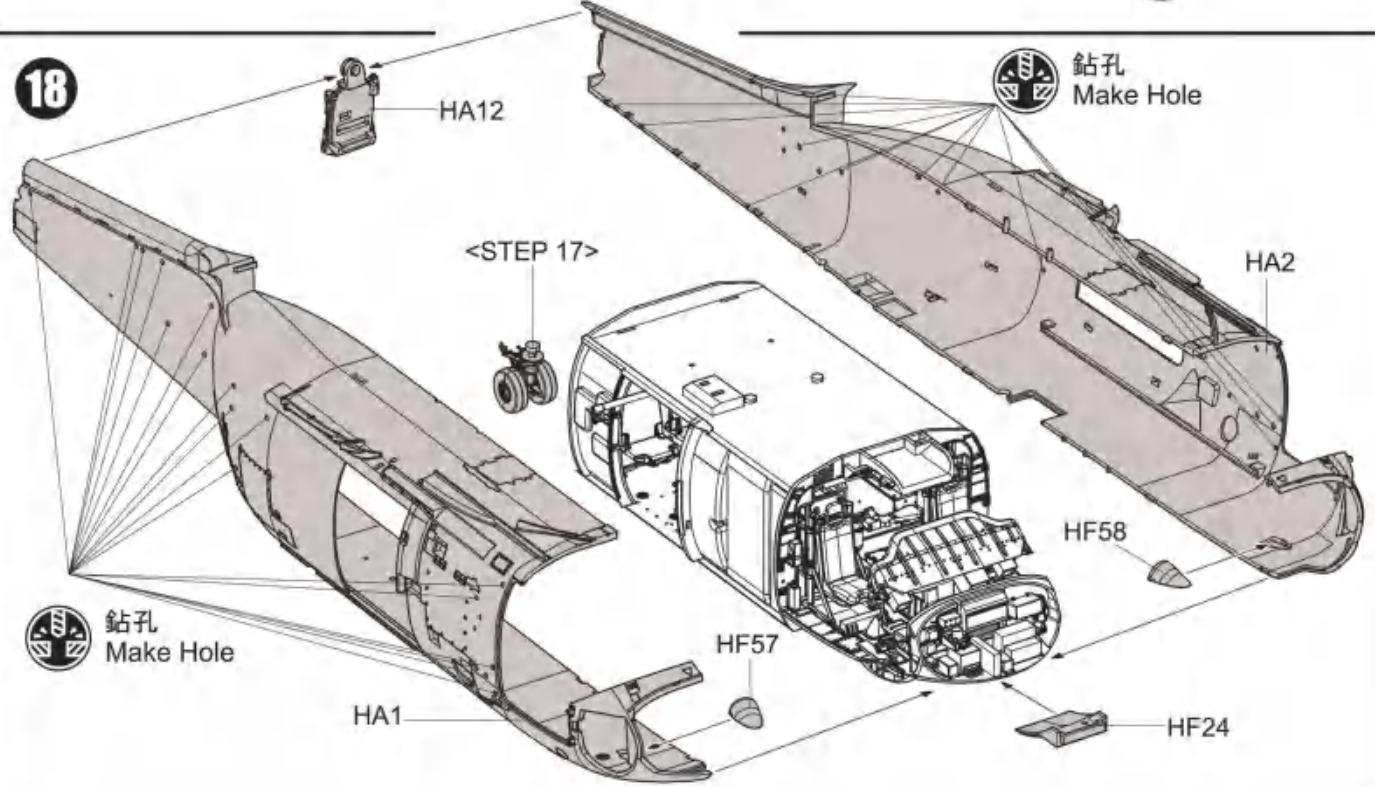
 C 田  
FLAT BLACK  
消光黑



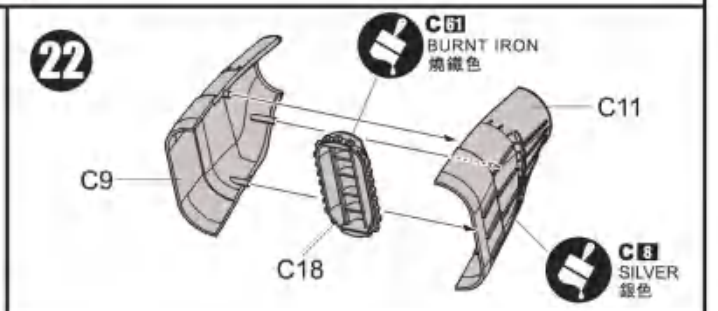
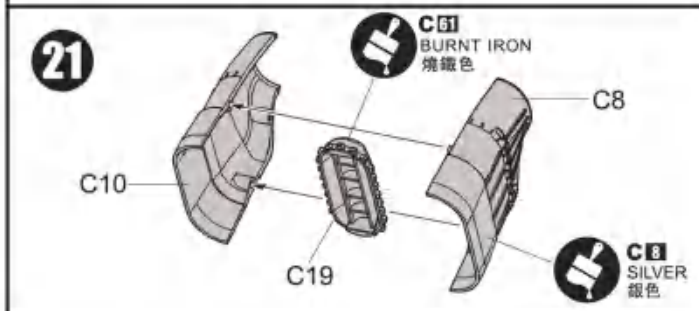
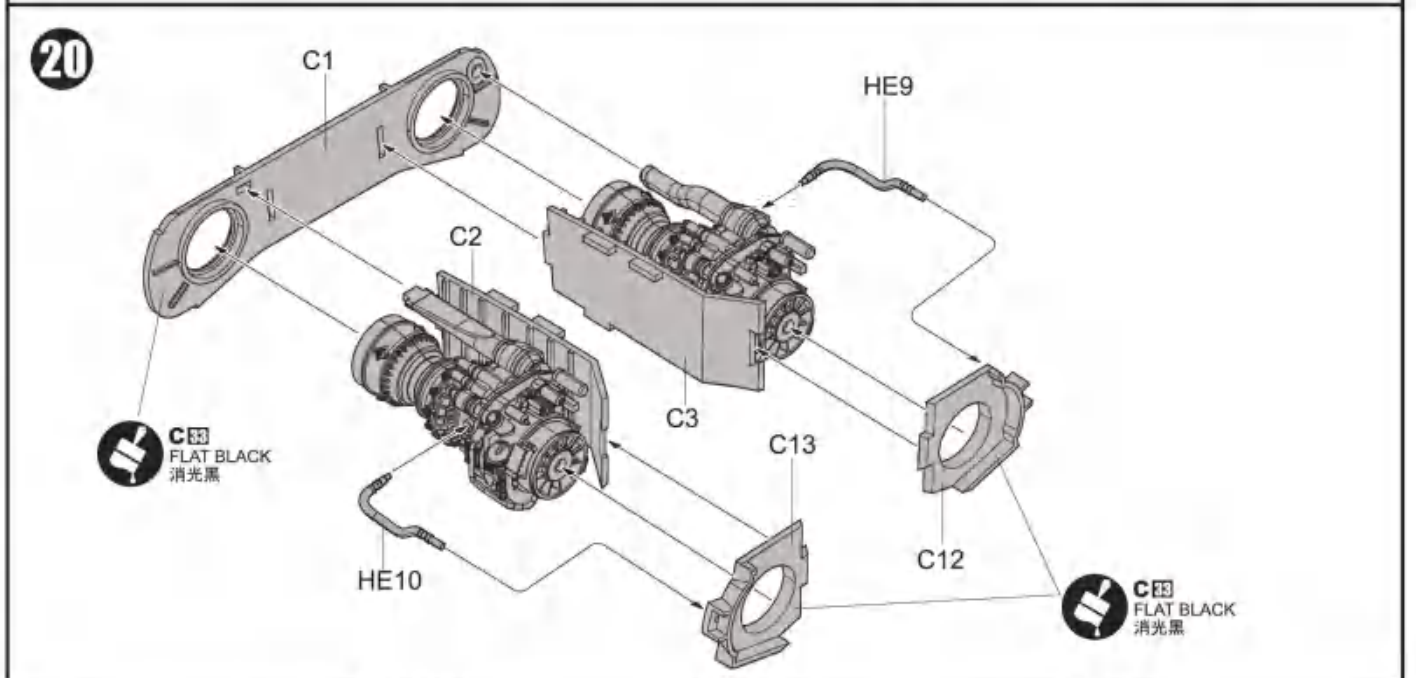
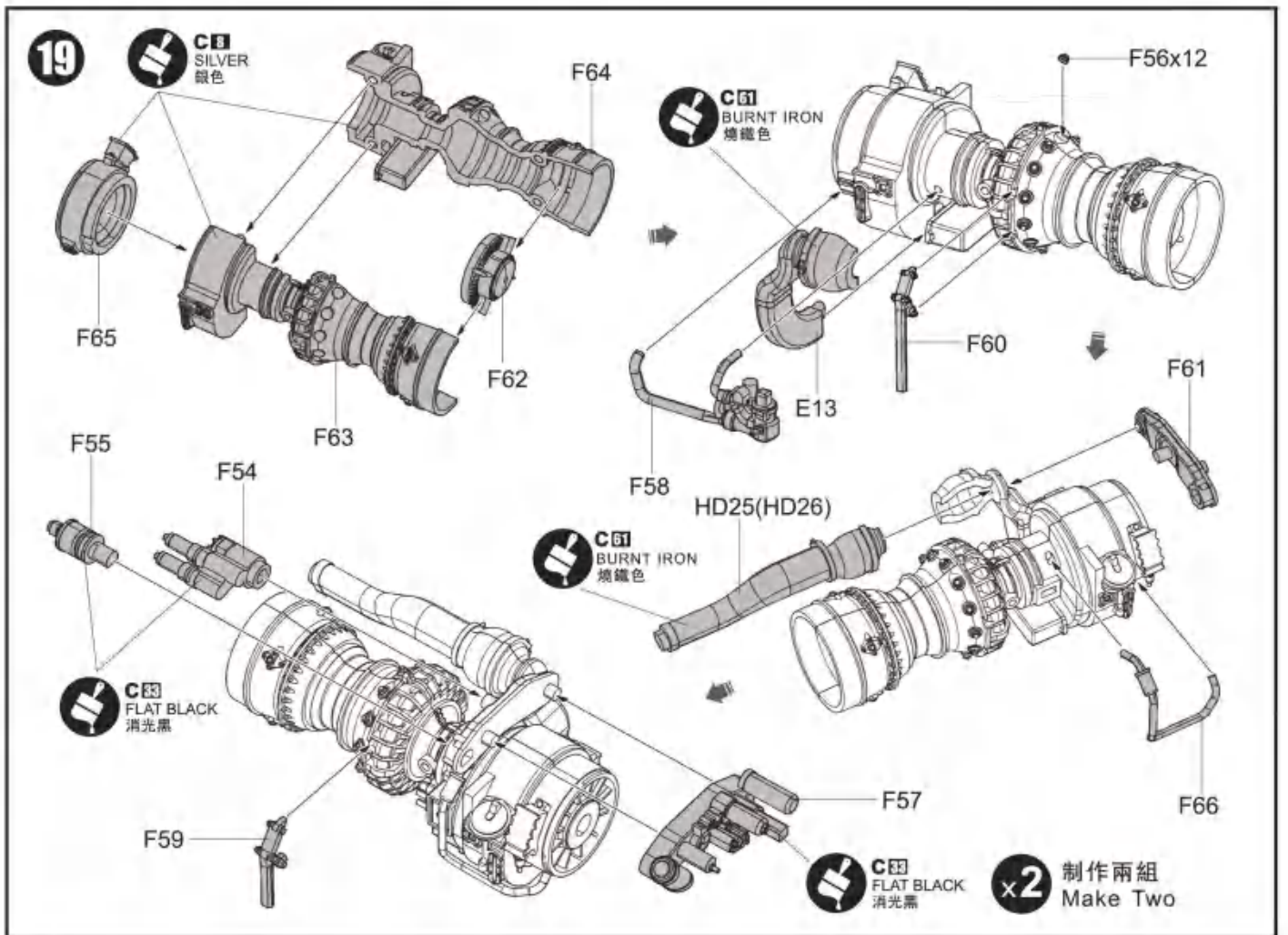
17



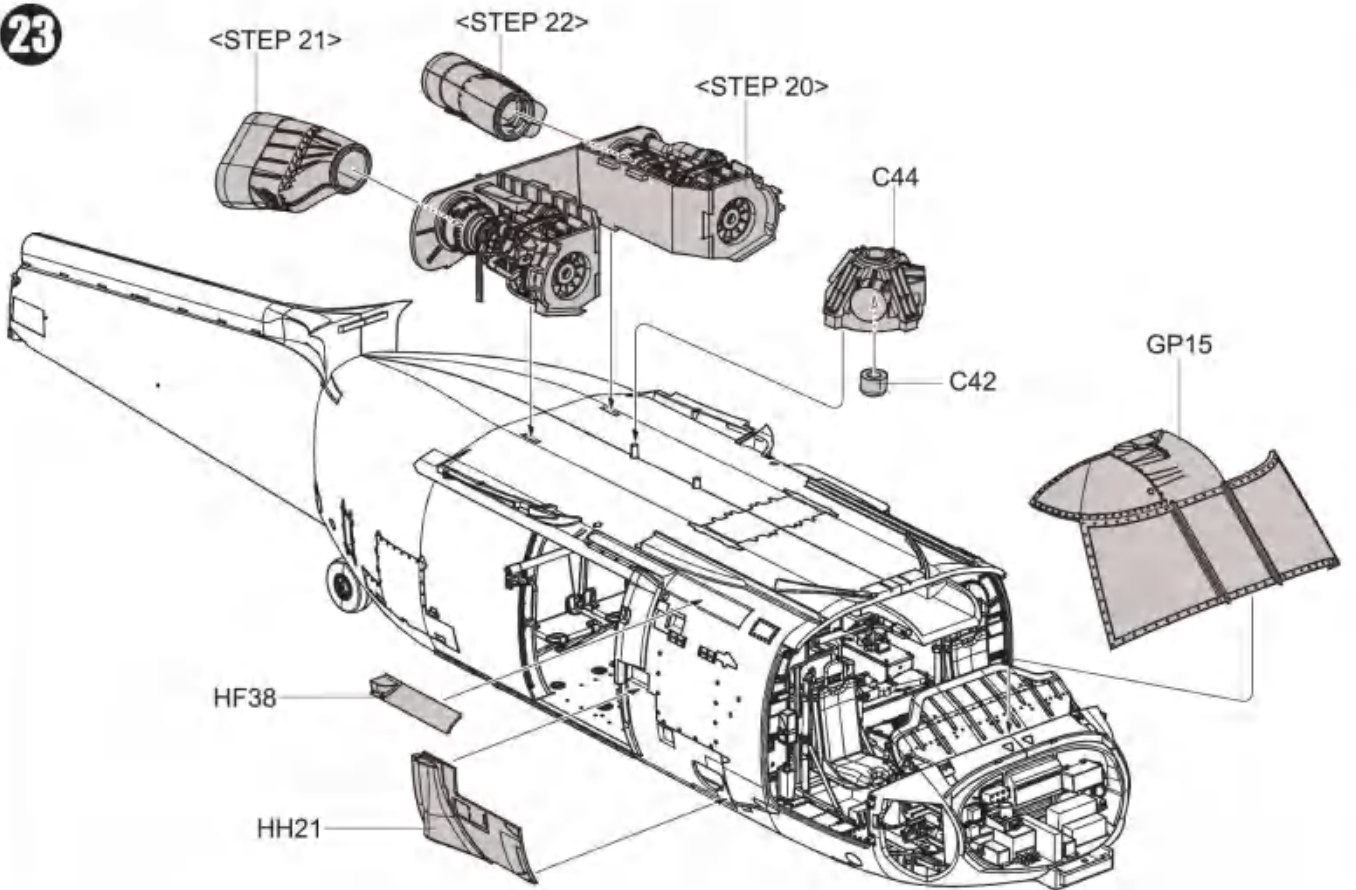
18



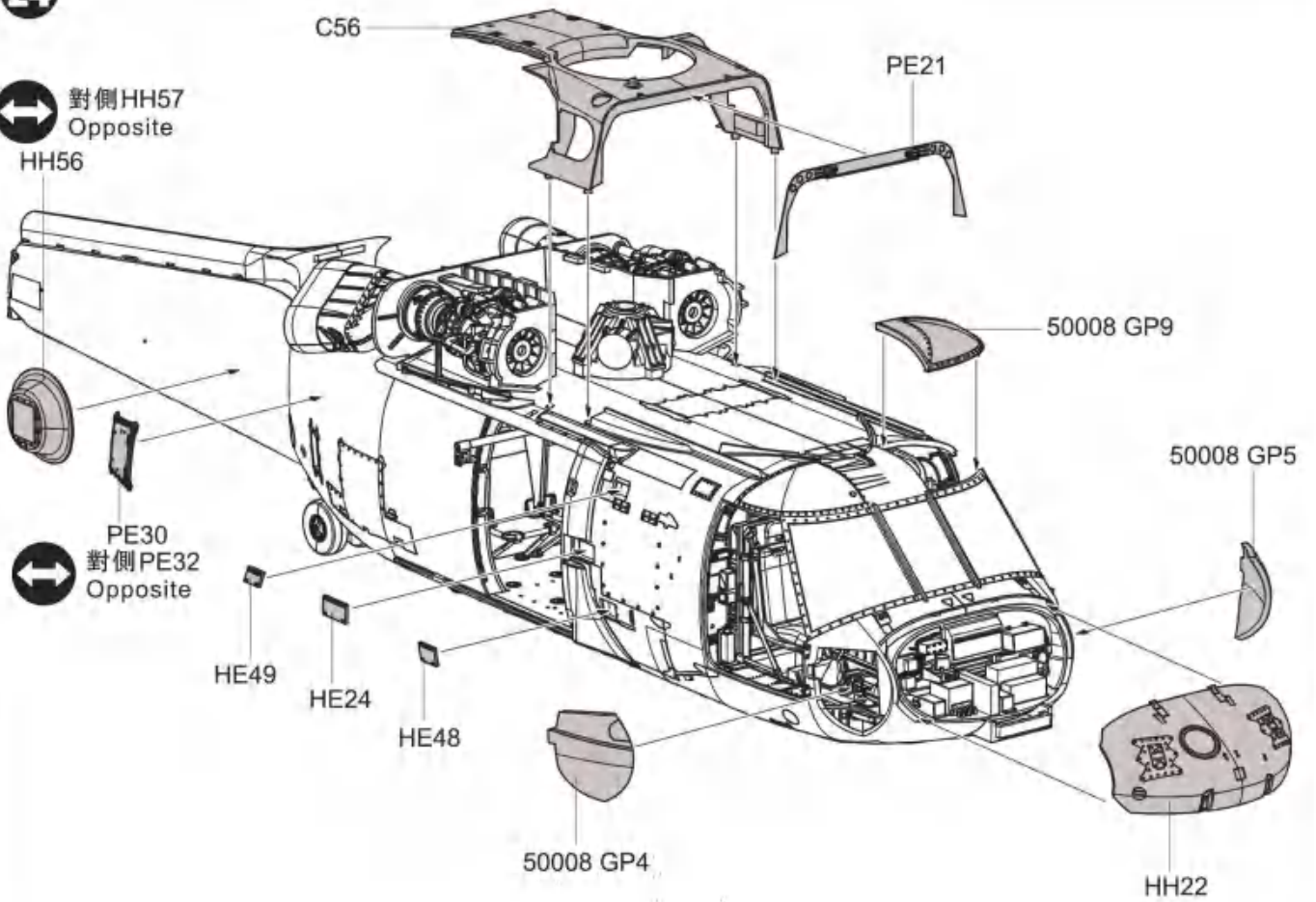




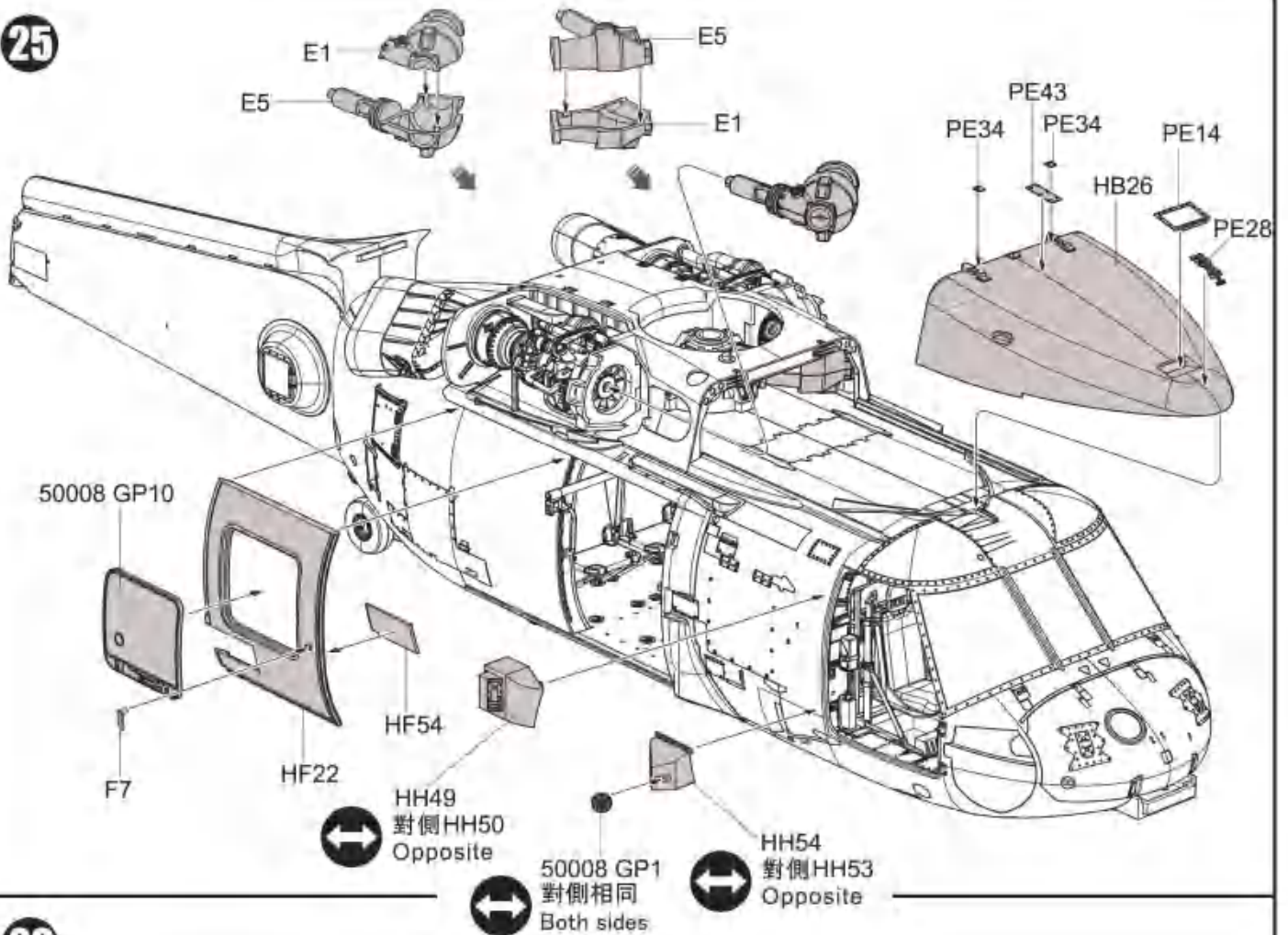
23



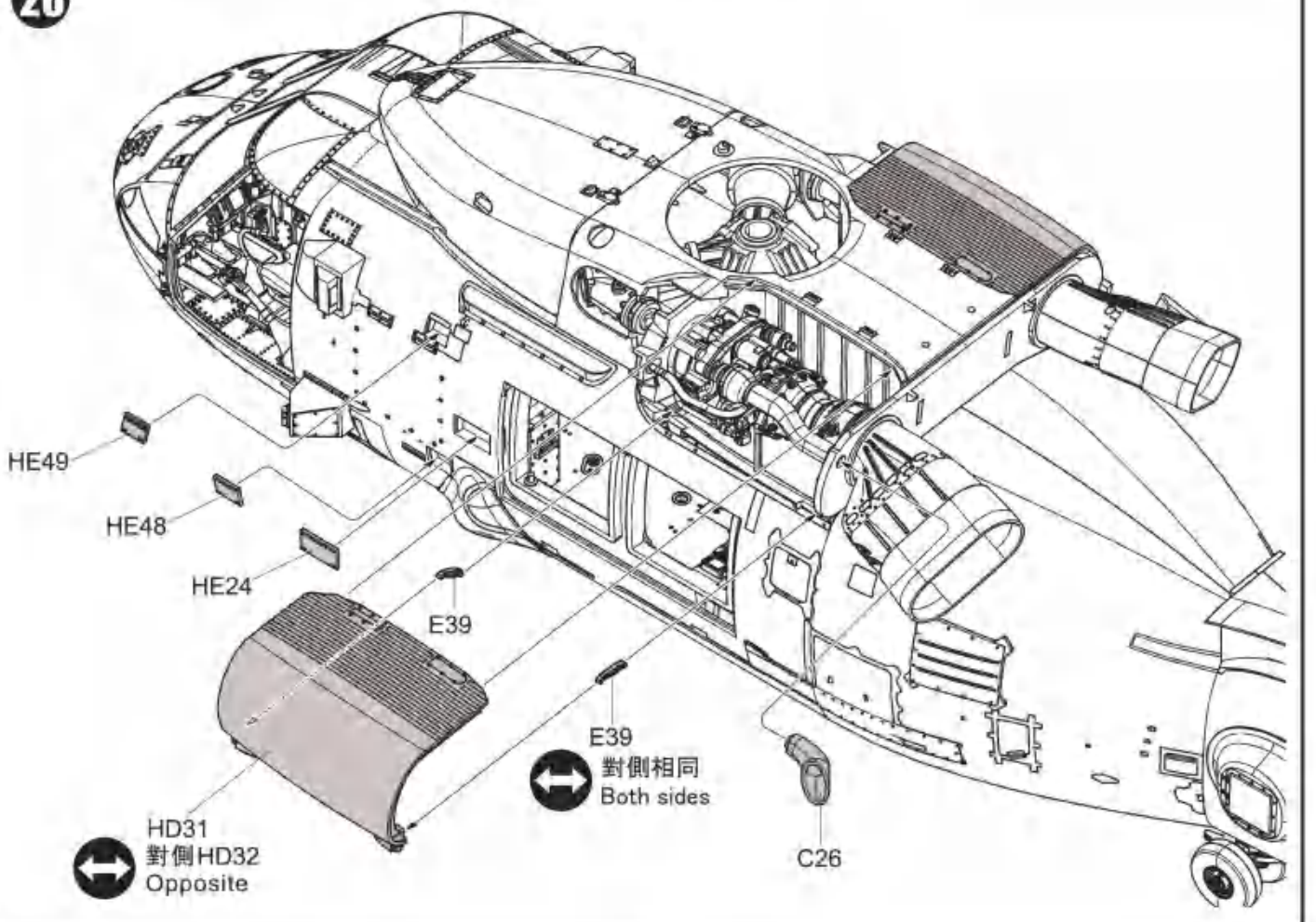
24

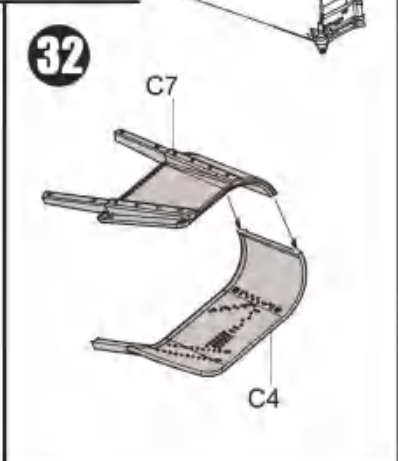
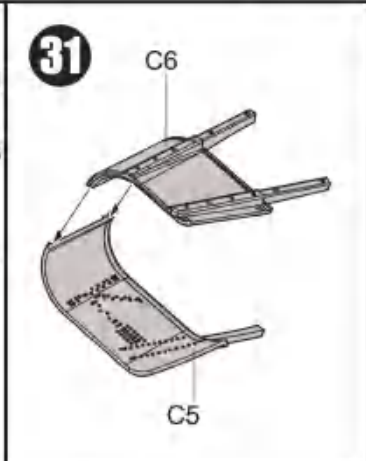
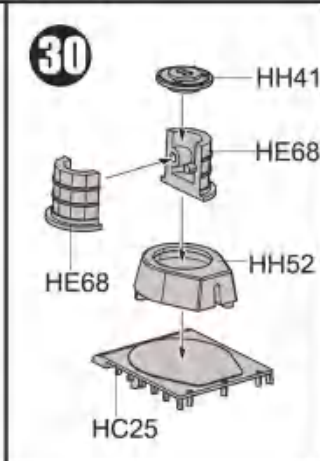
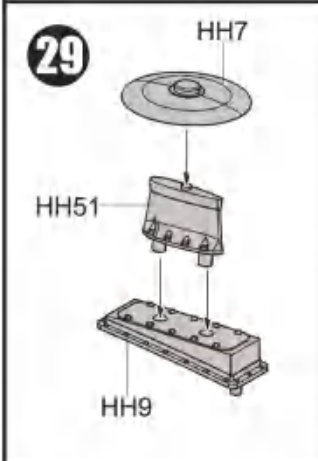
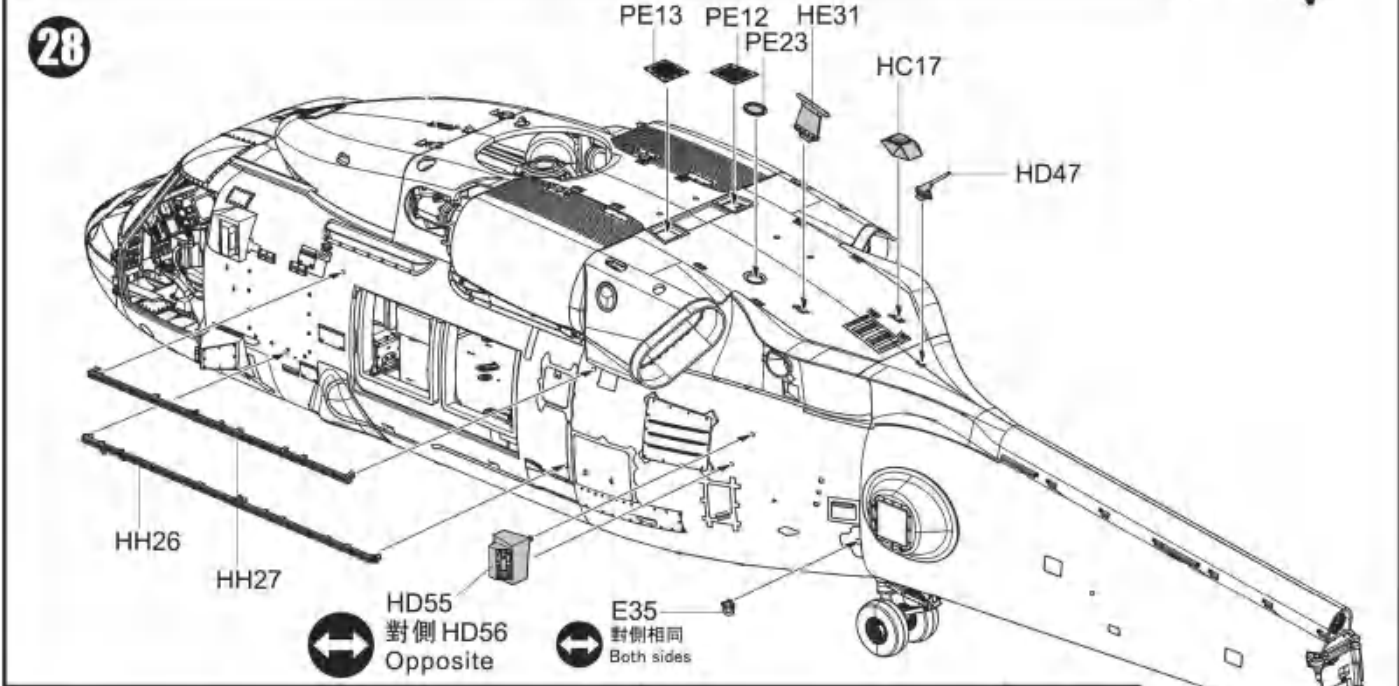
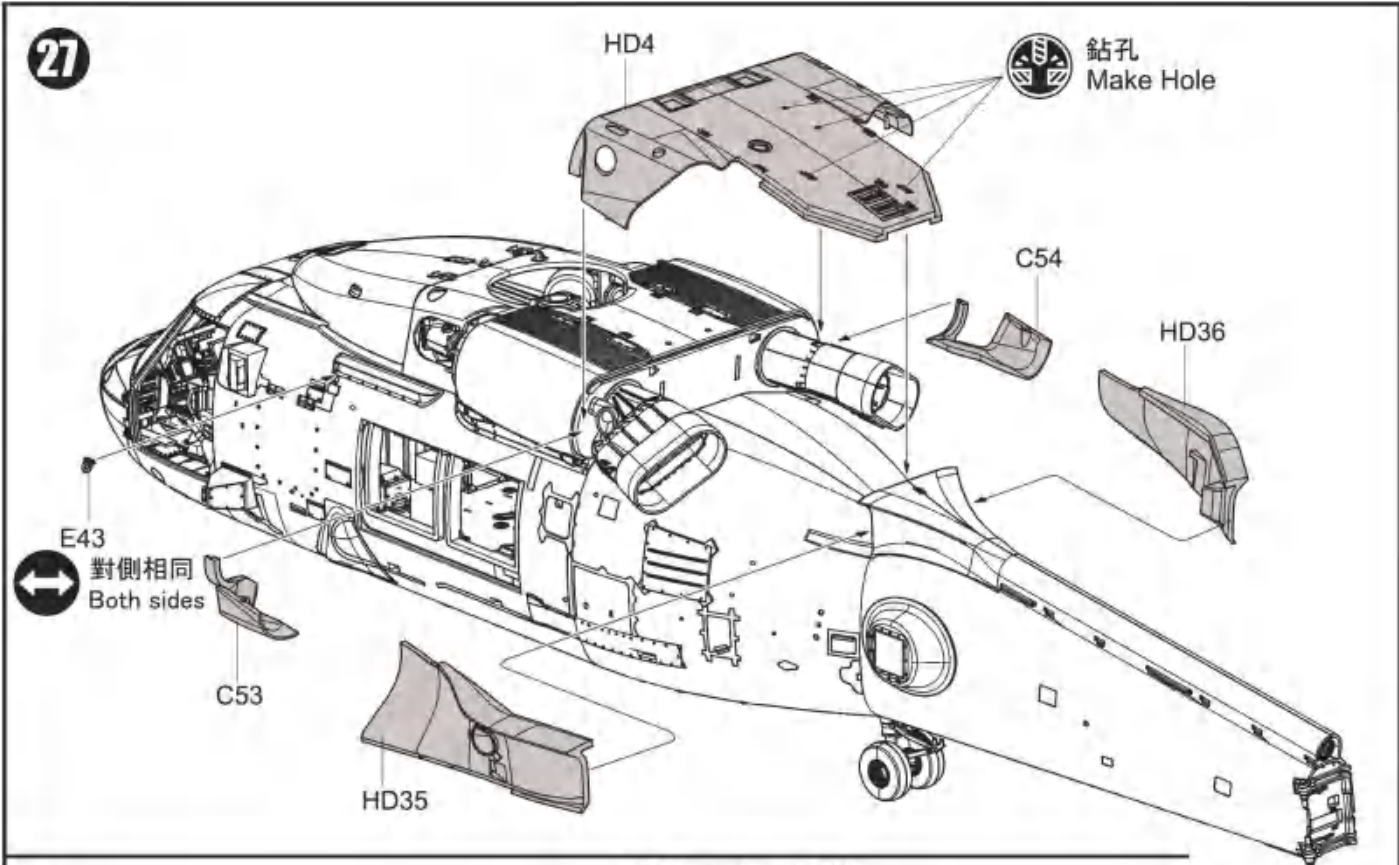


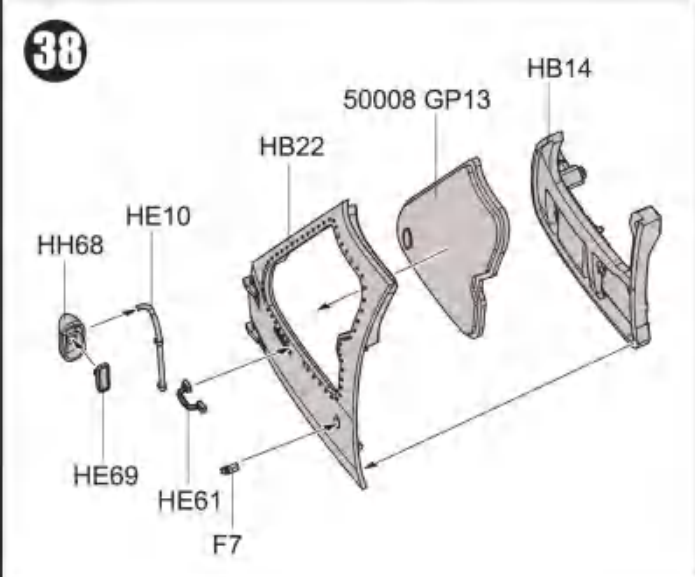
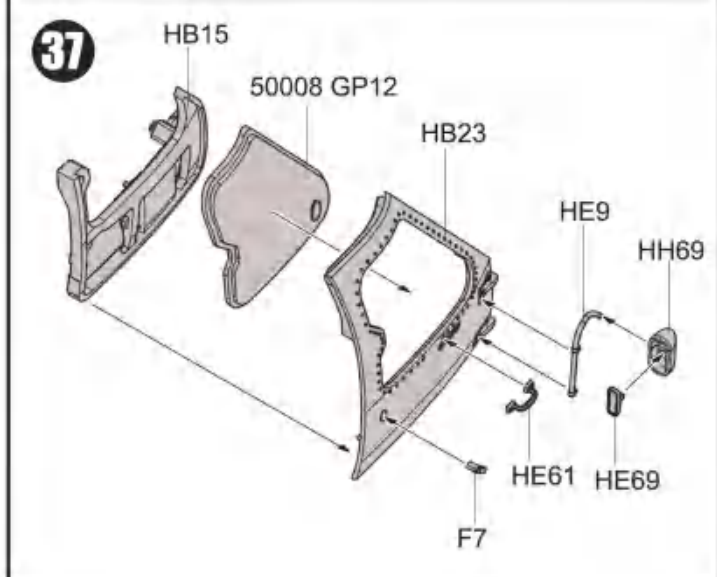
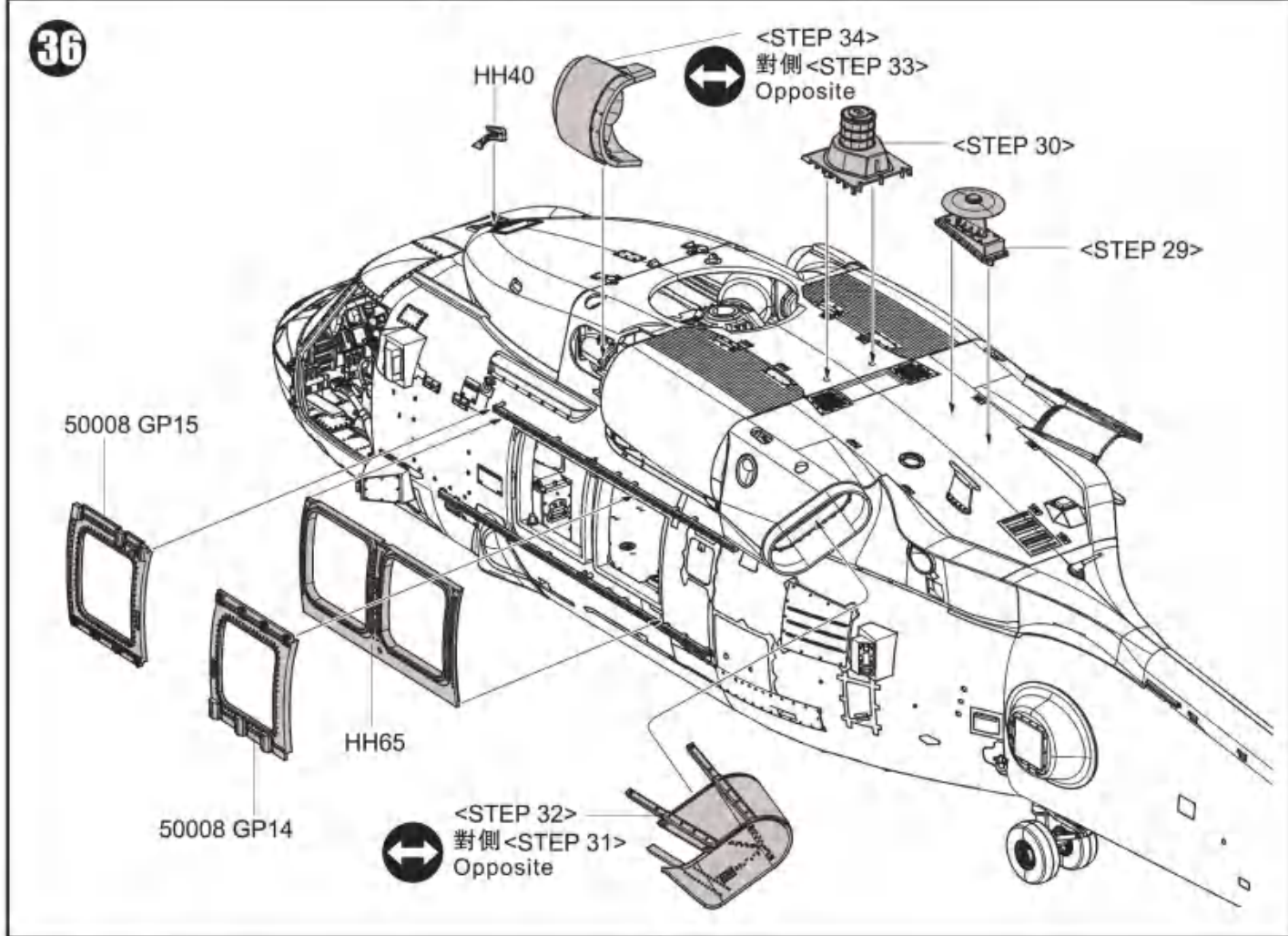
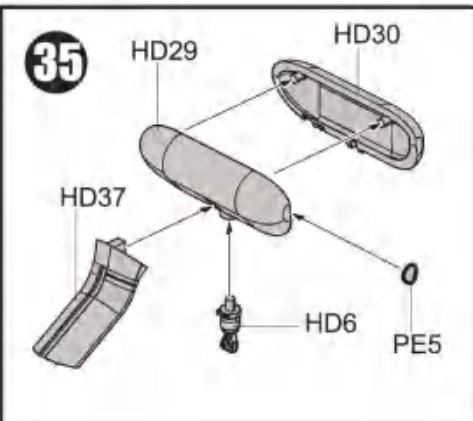
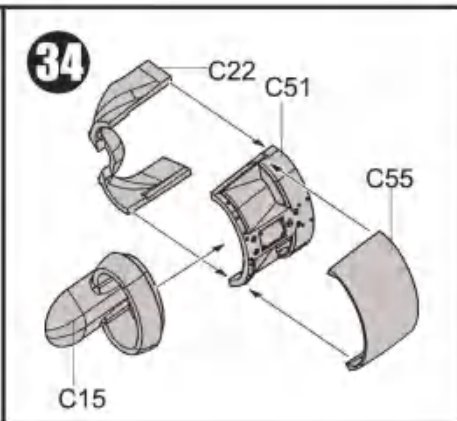
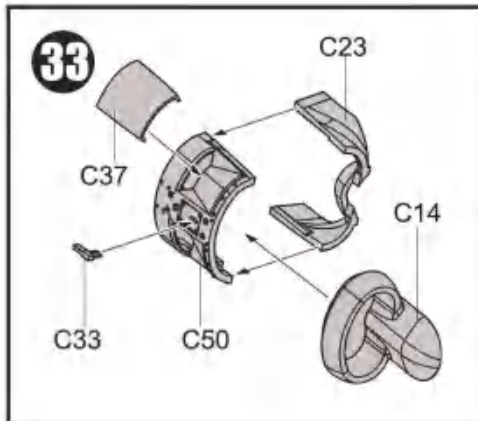
25

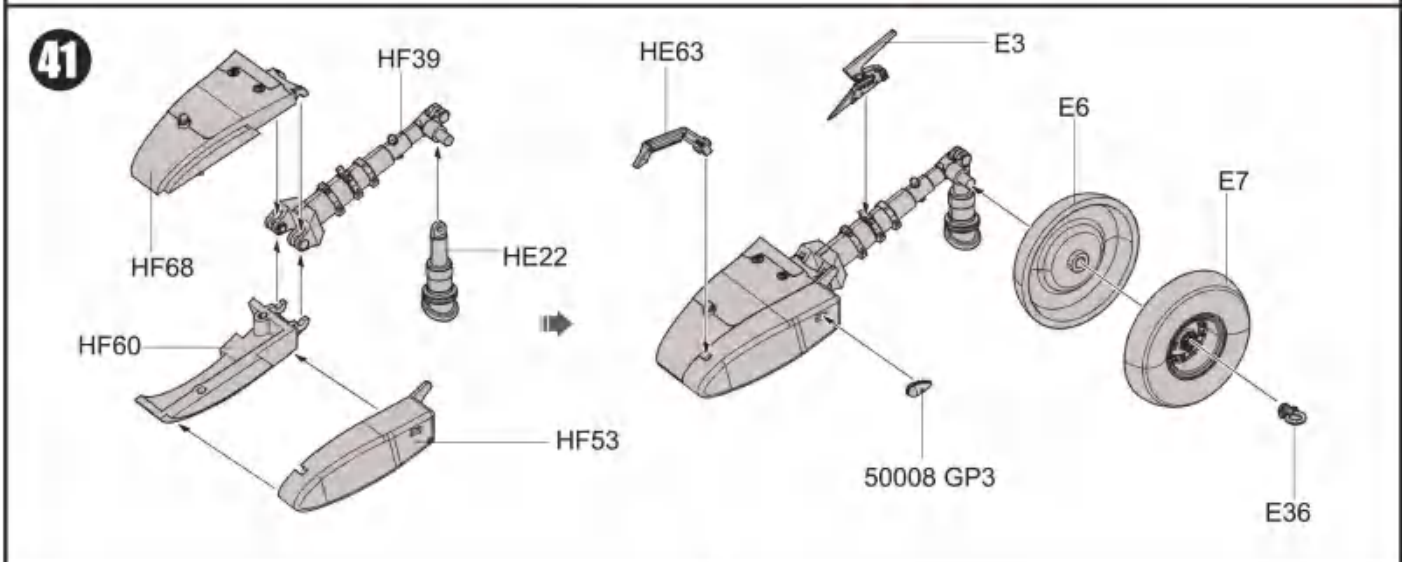
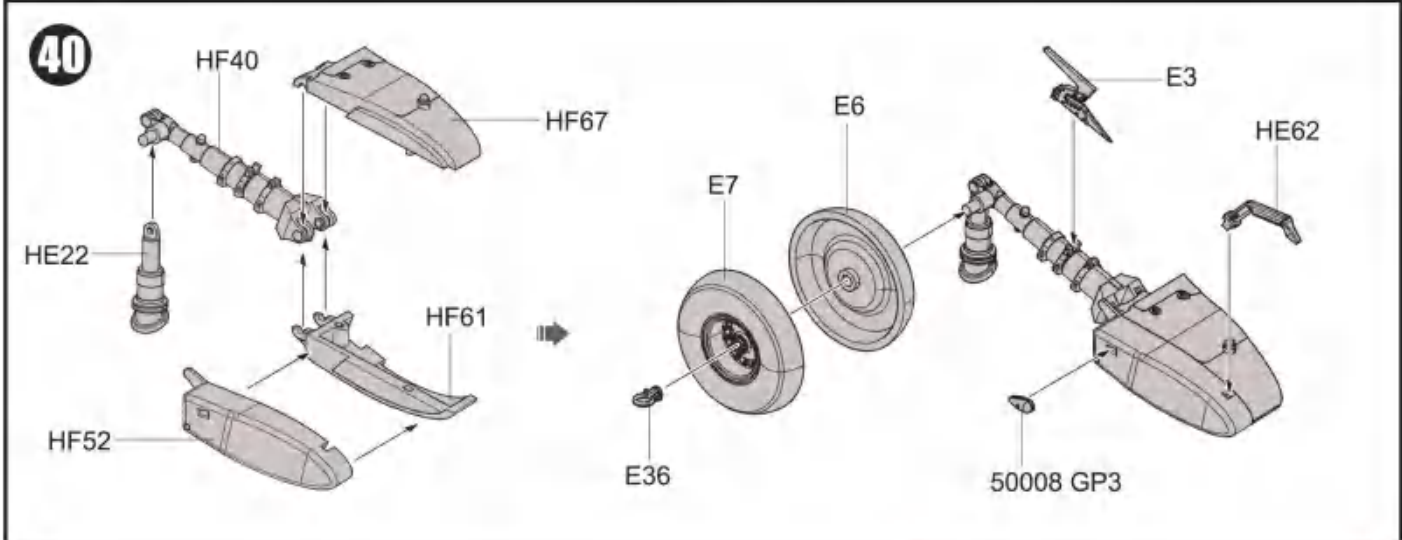
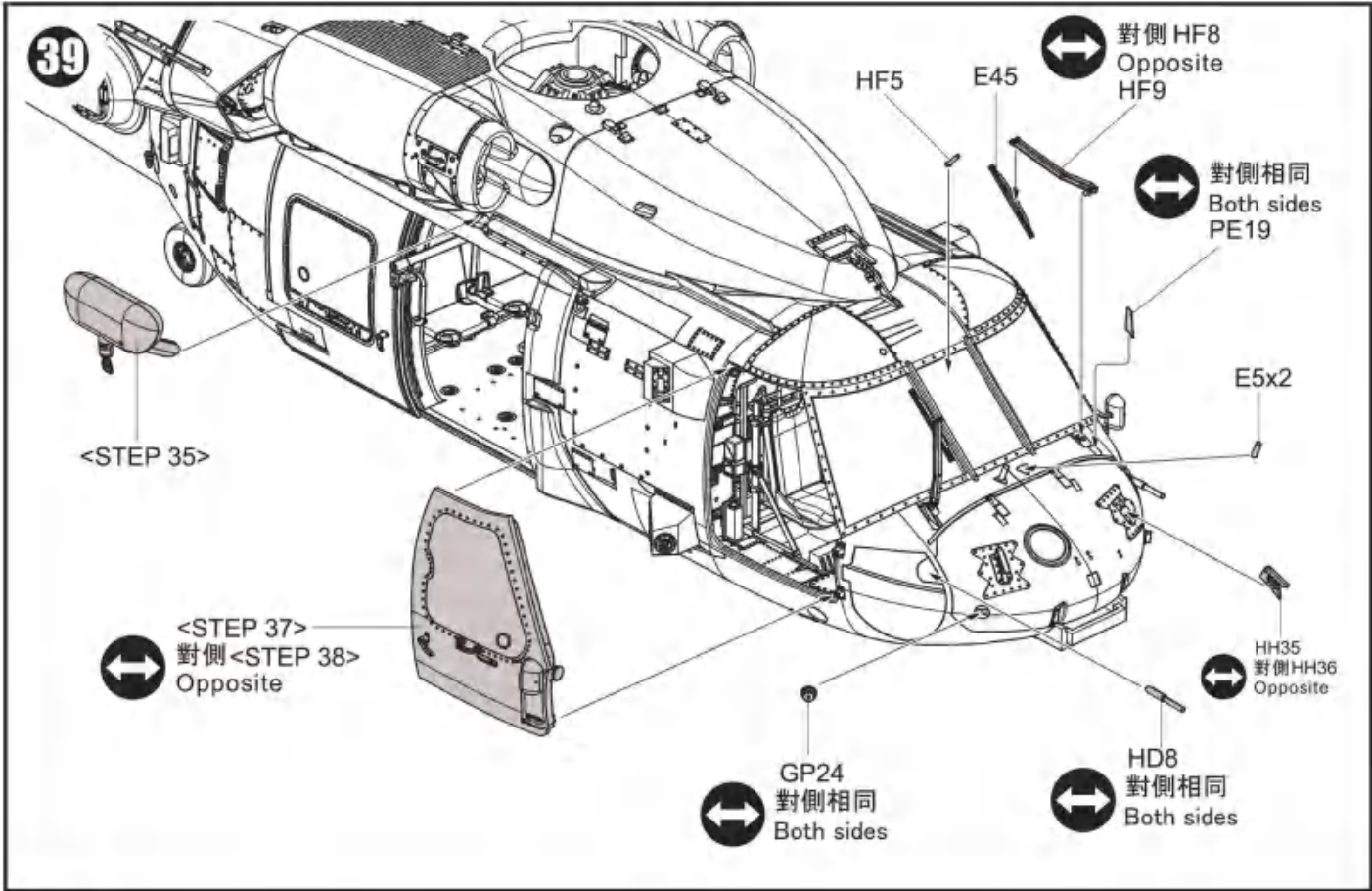


26

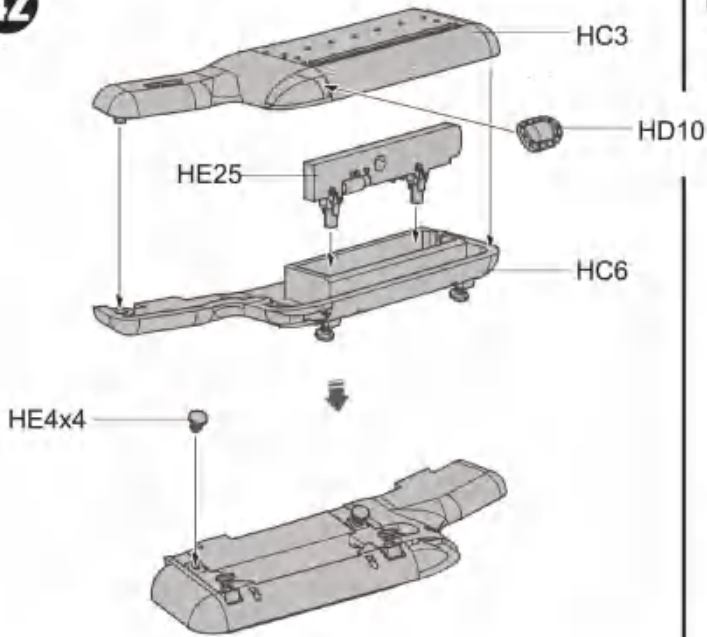




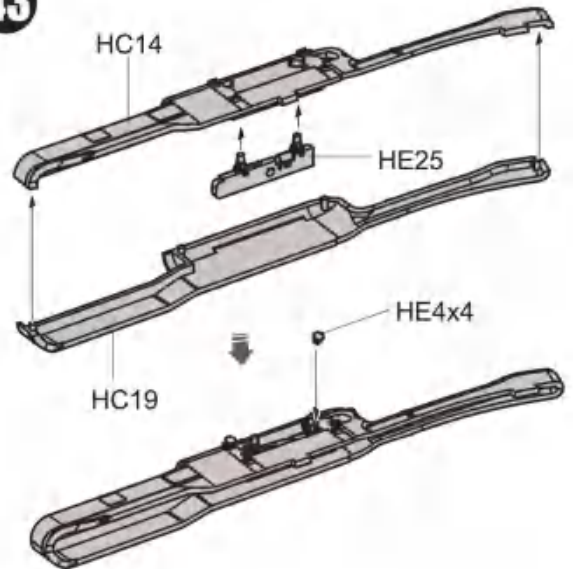




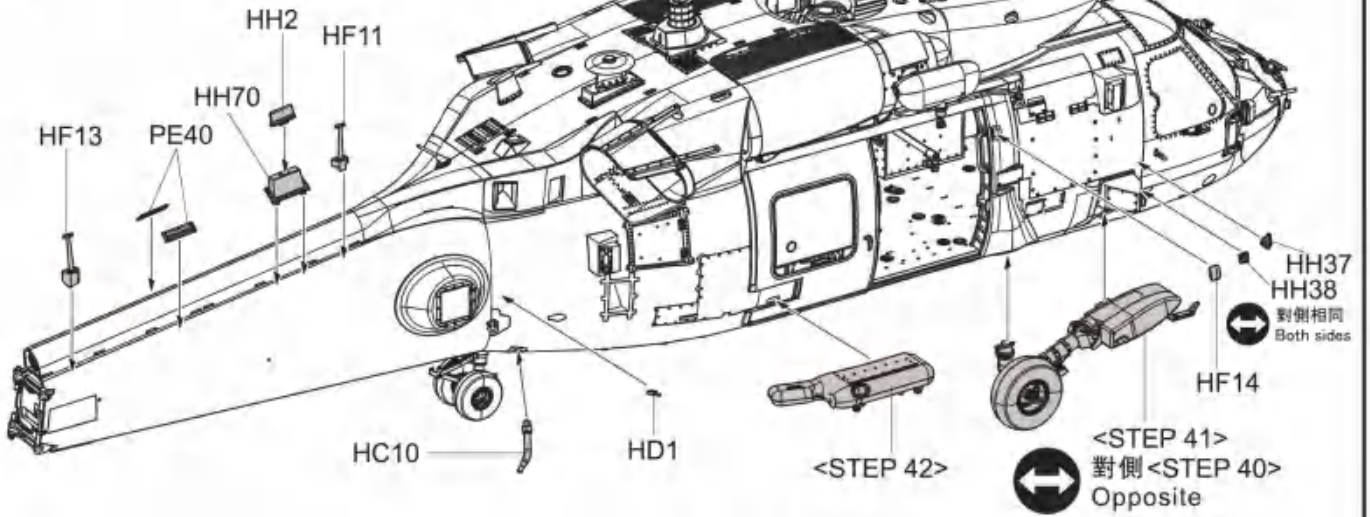
42



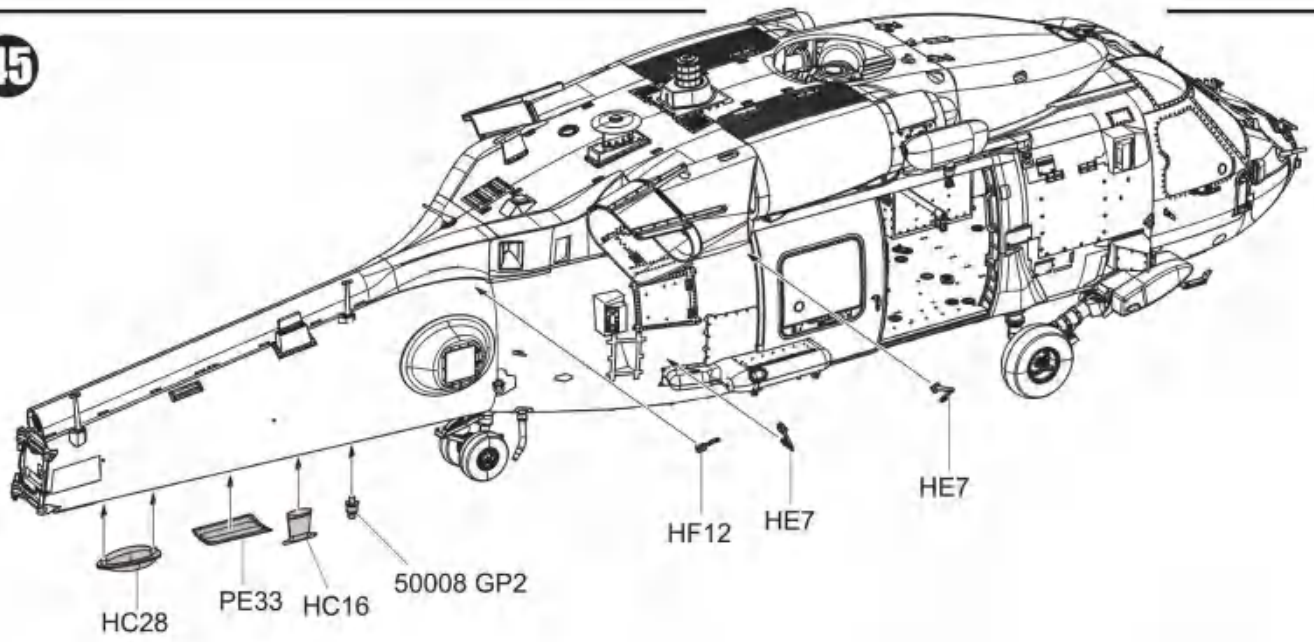
43



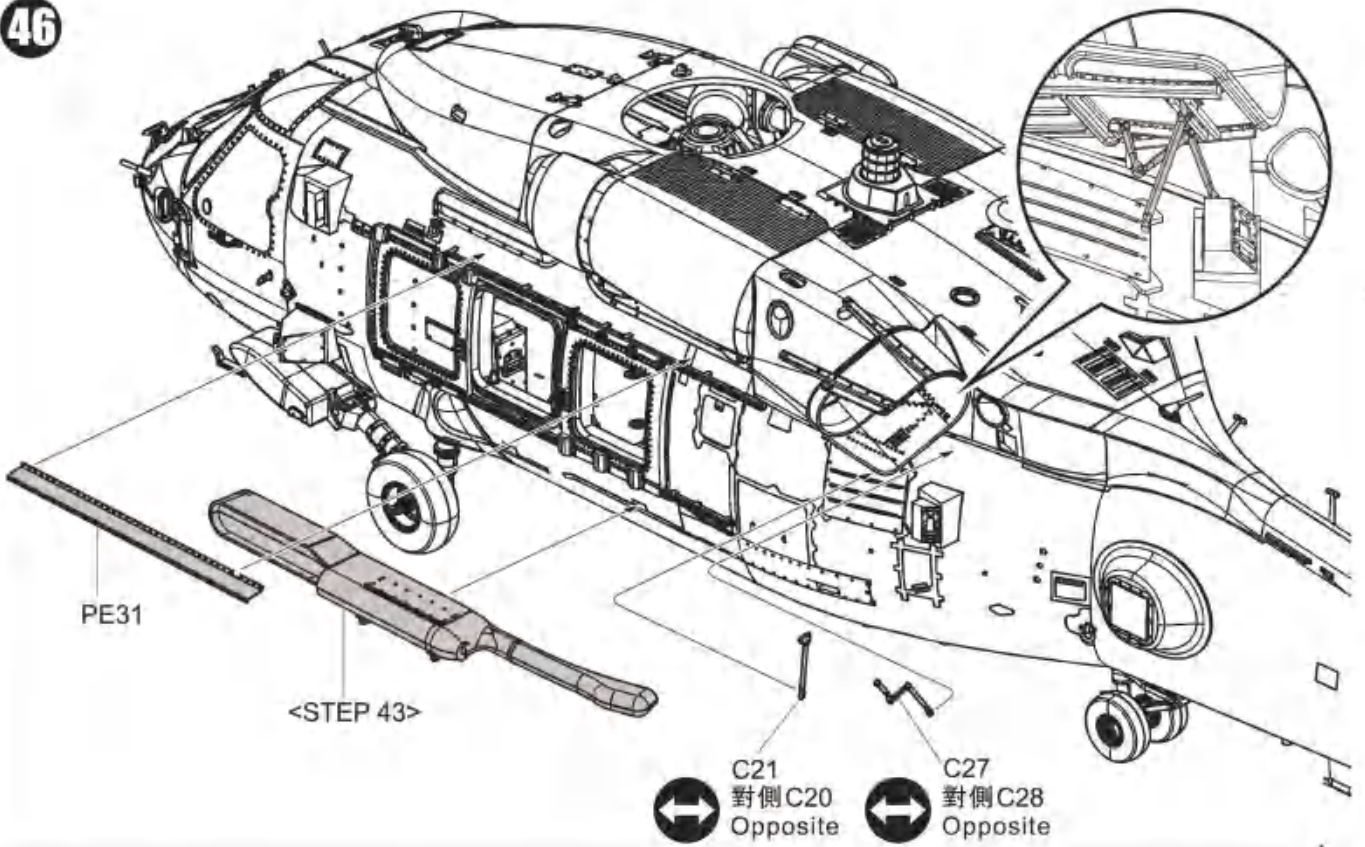
44



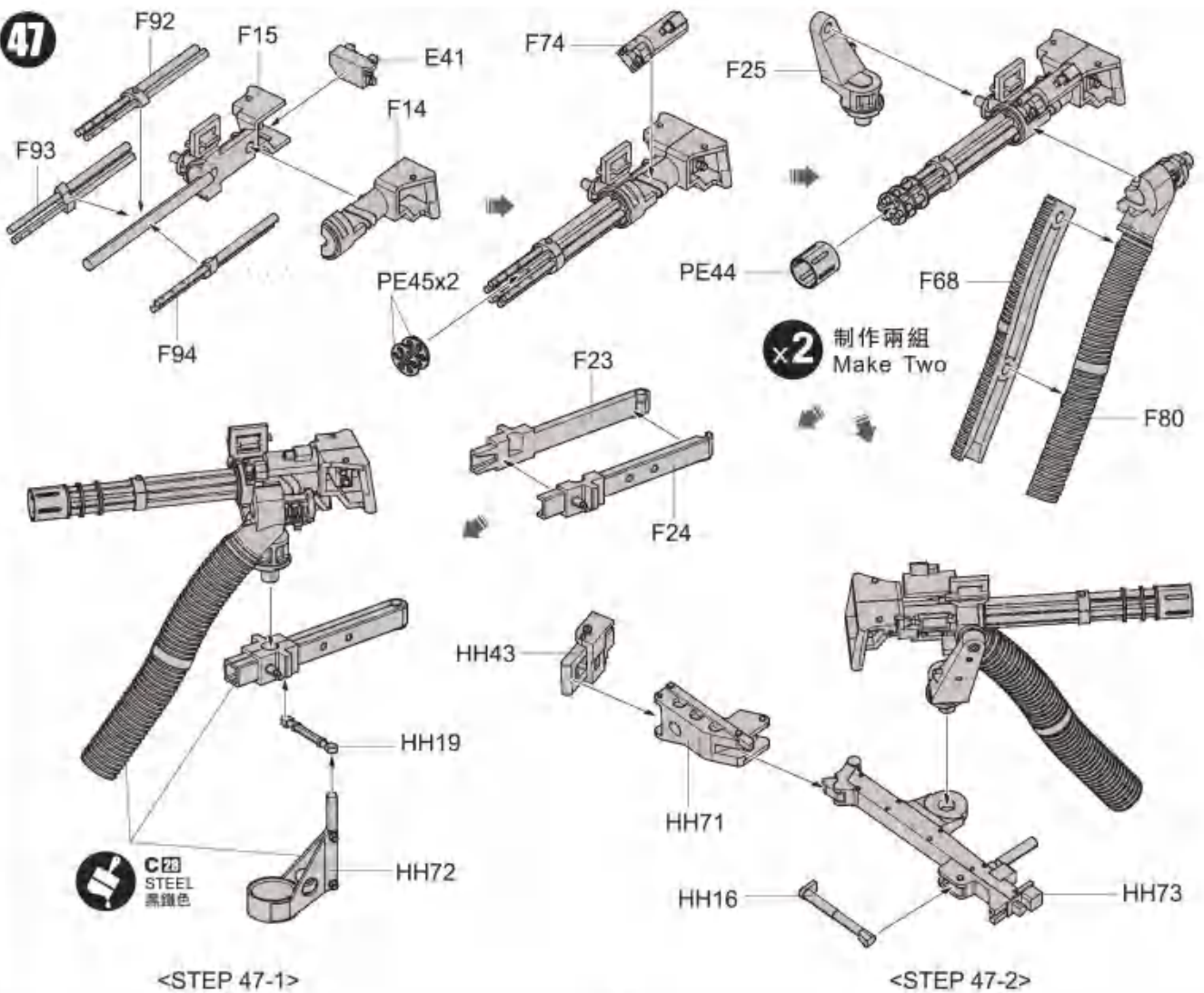
45



46



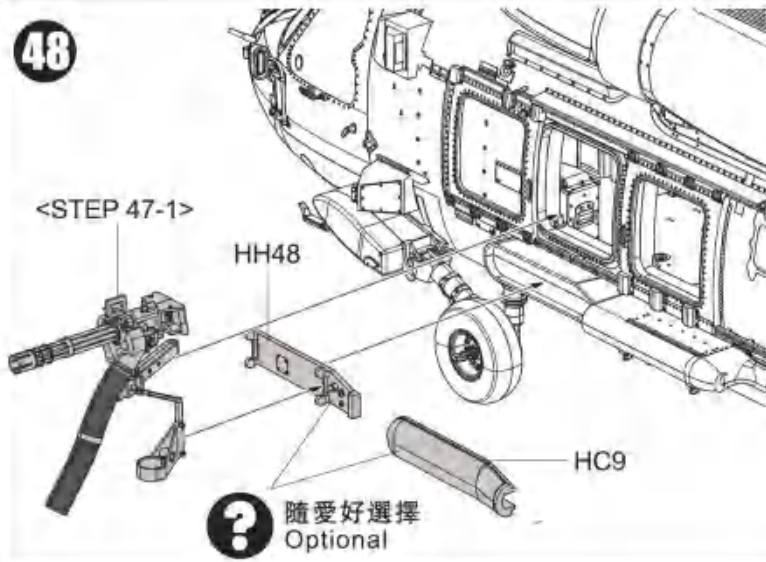
47





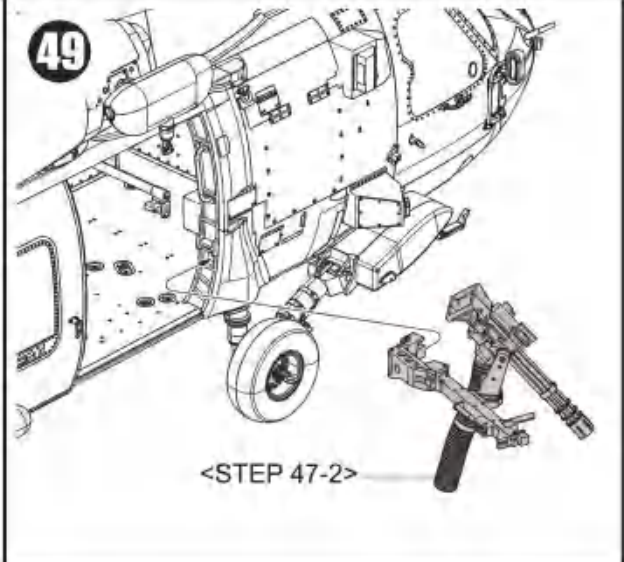
48

<STEP 47-1>



49

<STEP 47-2>



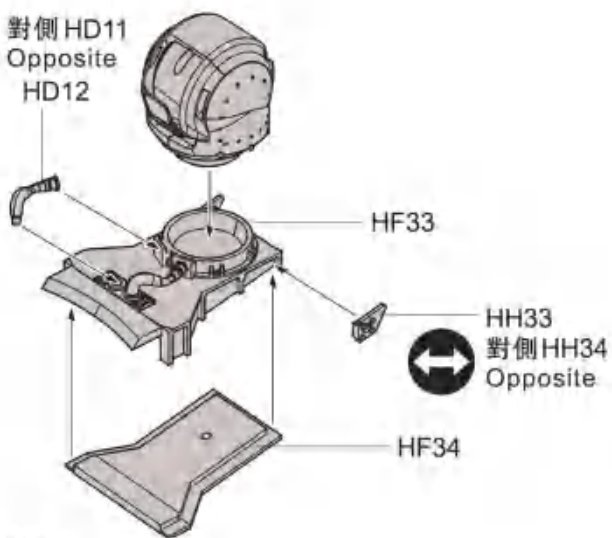
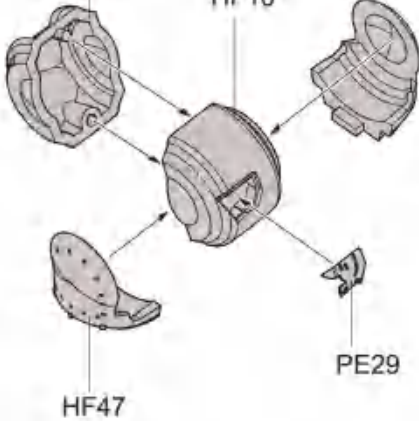
50

50008 GP16

HF46

HF10

↔ 對側 HD11  
Opposite  
HD12



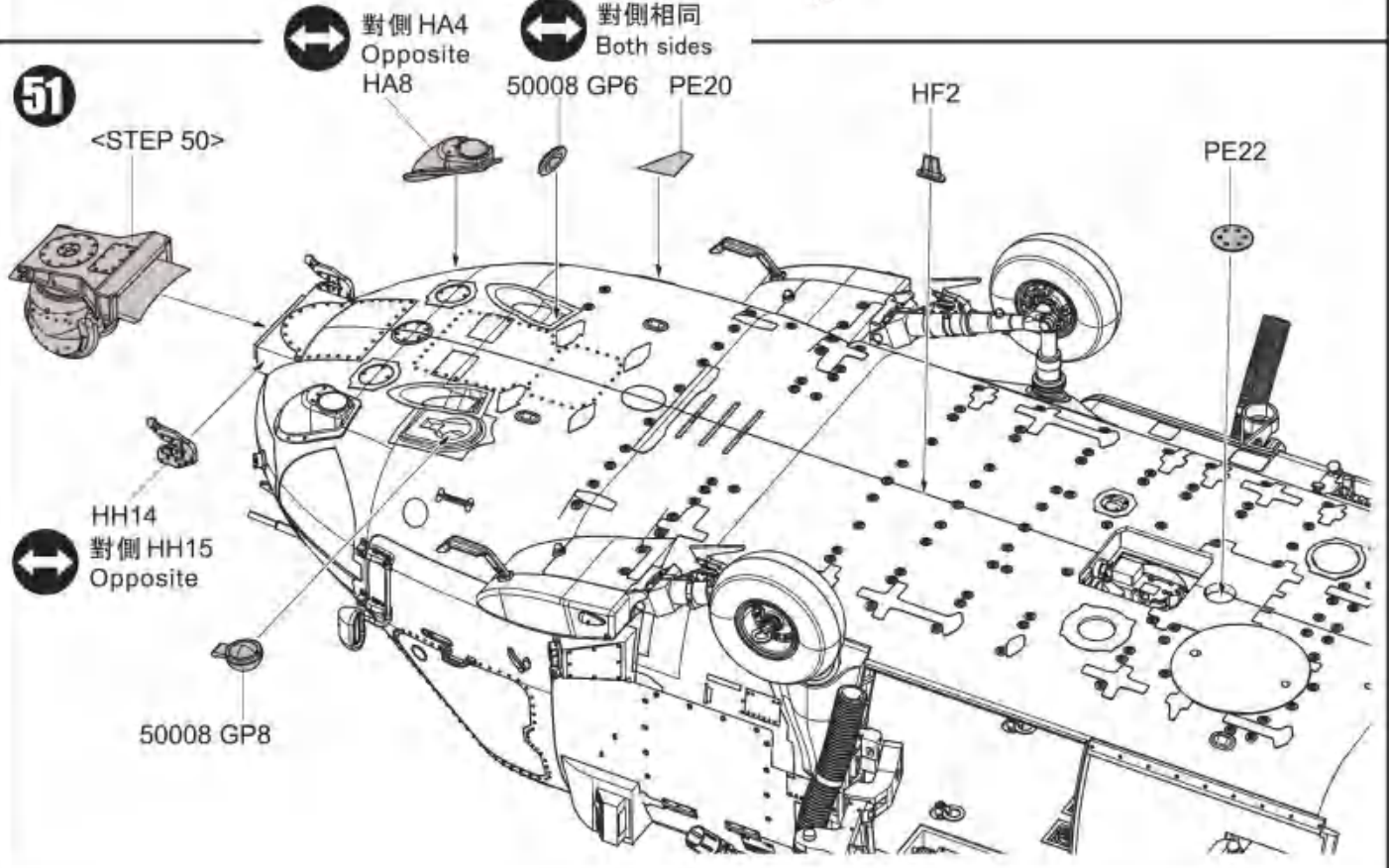
↔ 對側 HA4  
Opposite  
HA8

↔ 對側相同  
Both sides

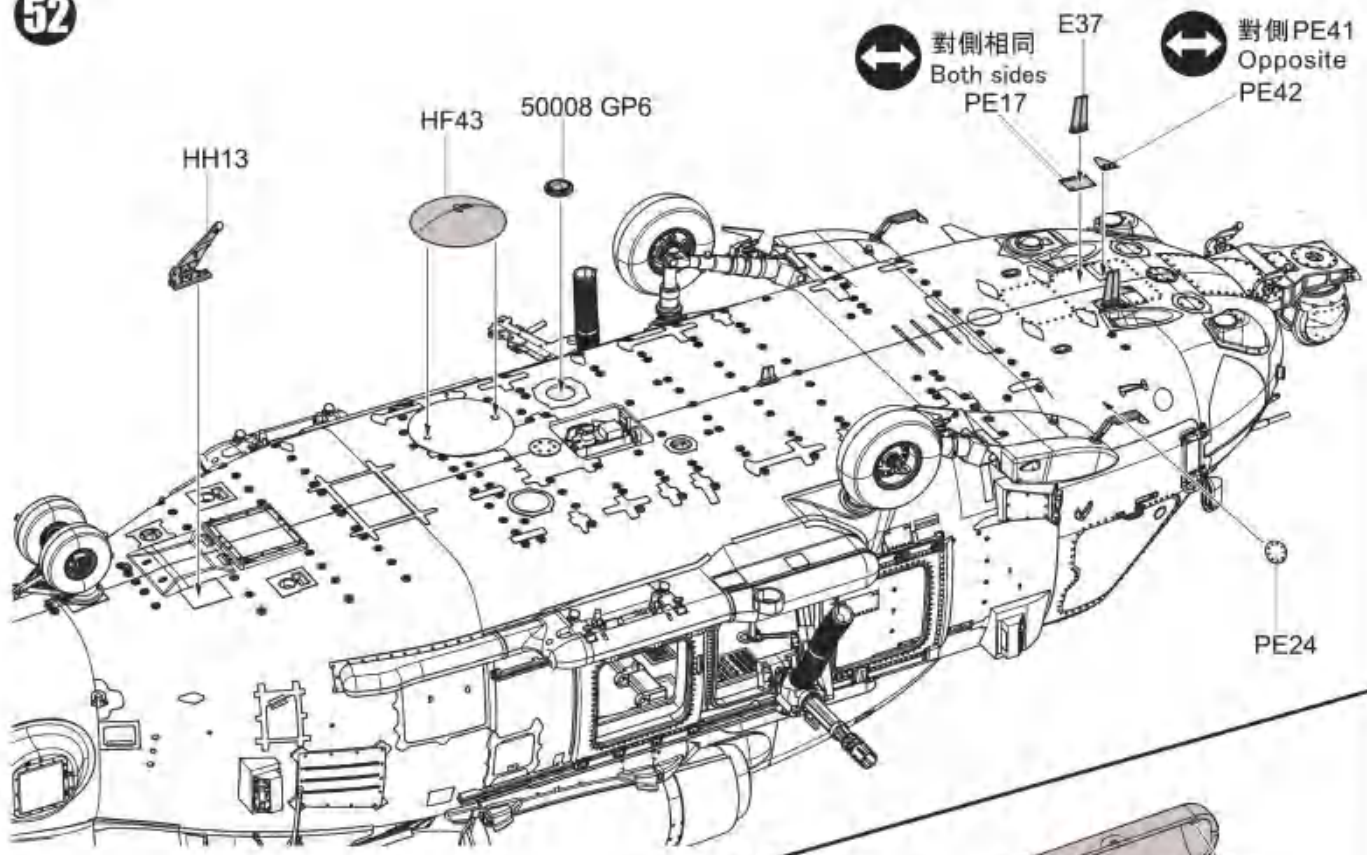
50008 GP6 PE20

51

<STEP 50>



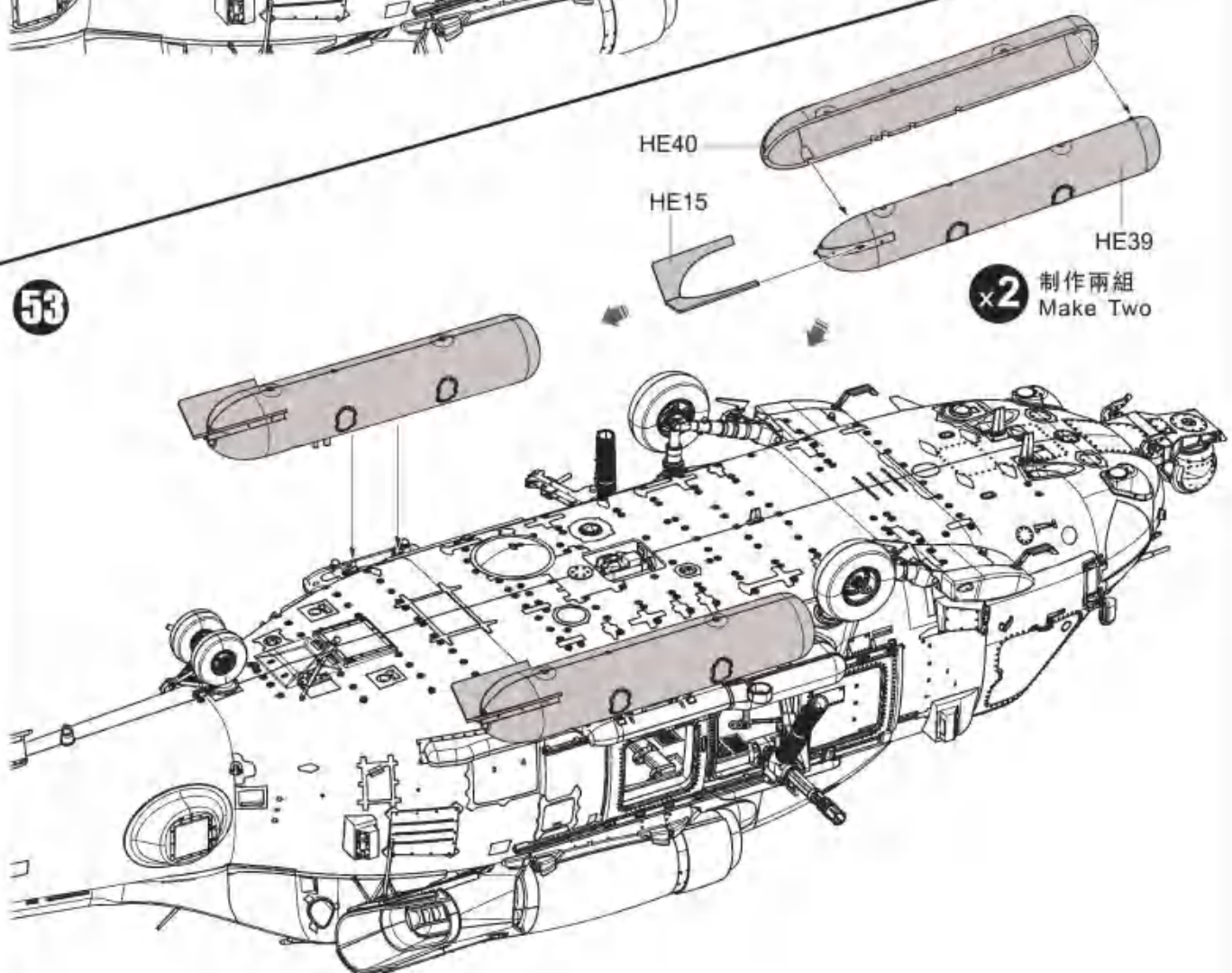
52



↔ 對側相同  
Both sides  
PE17

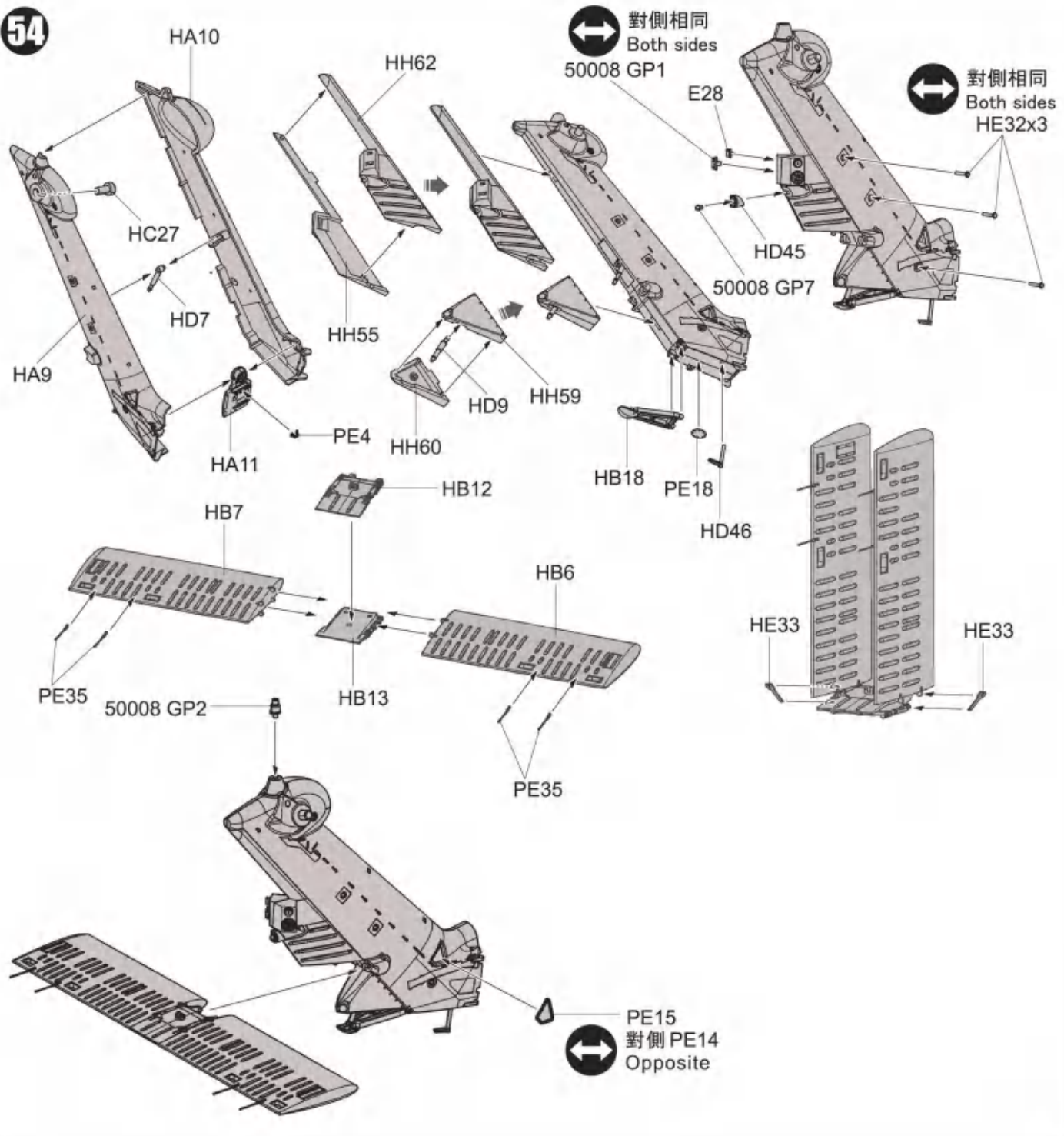
↔ 對側PE41  
Opposite  
PE42

53

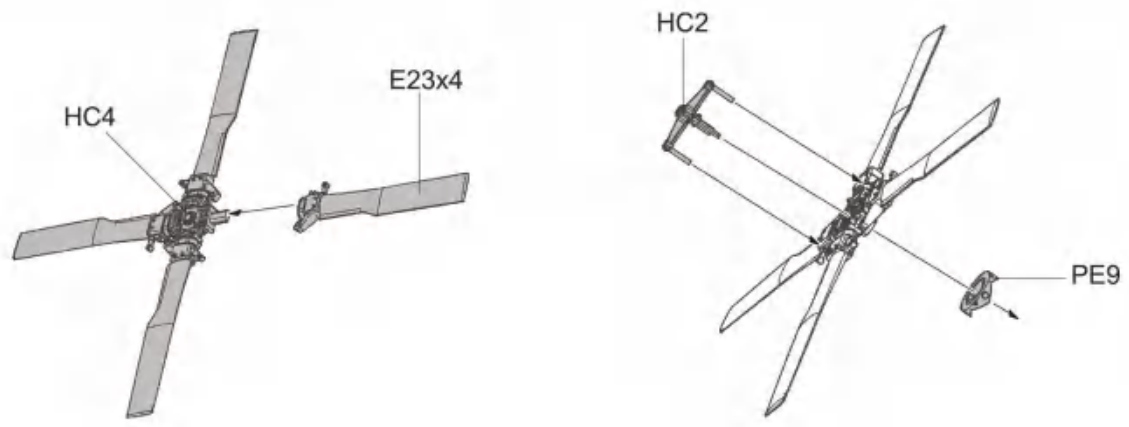


x2 制作兩組  
Make Two

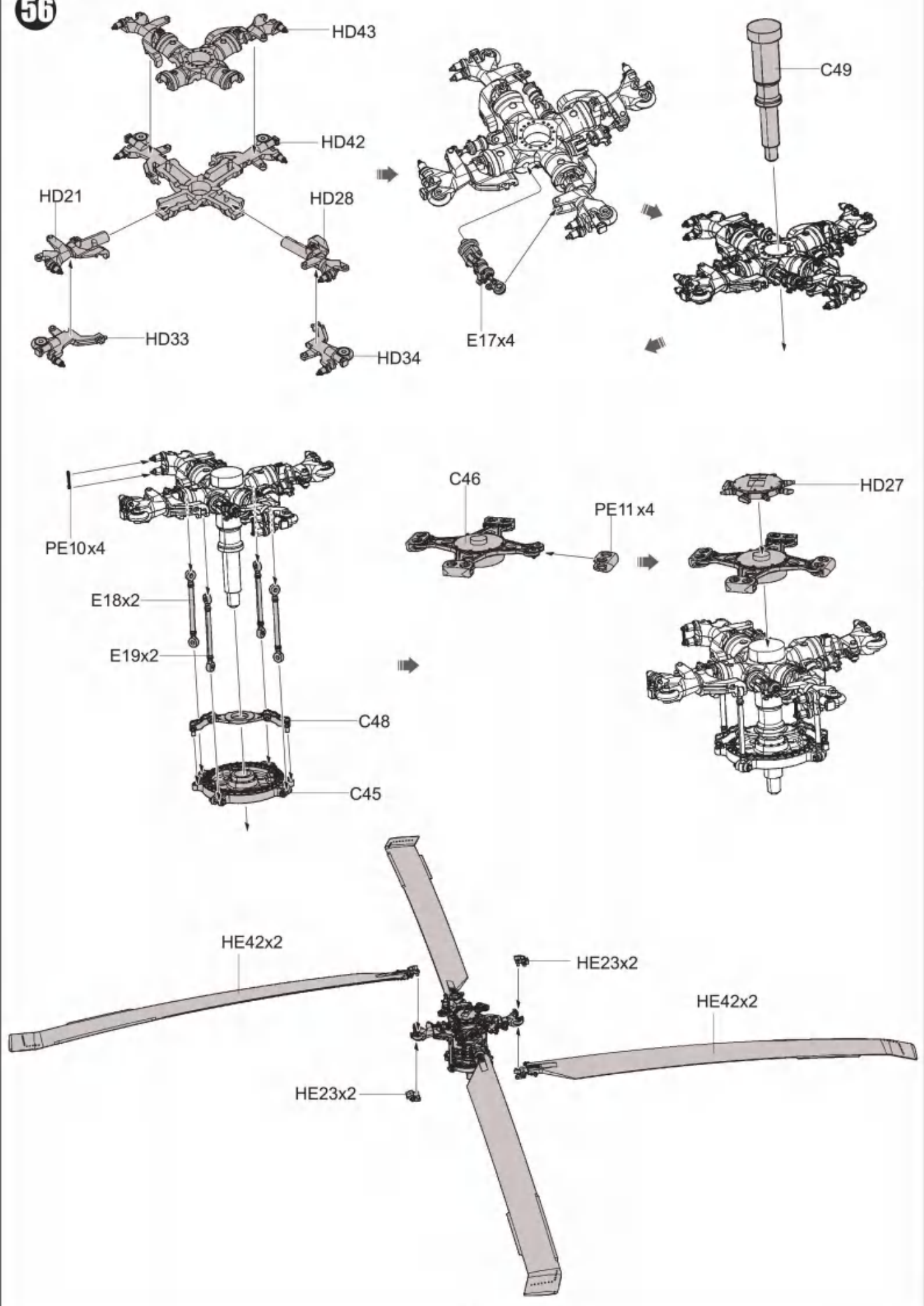
54



55



56



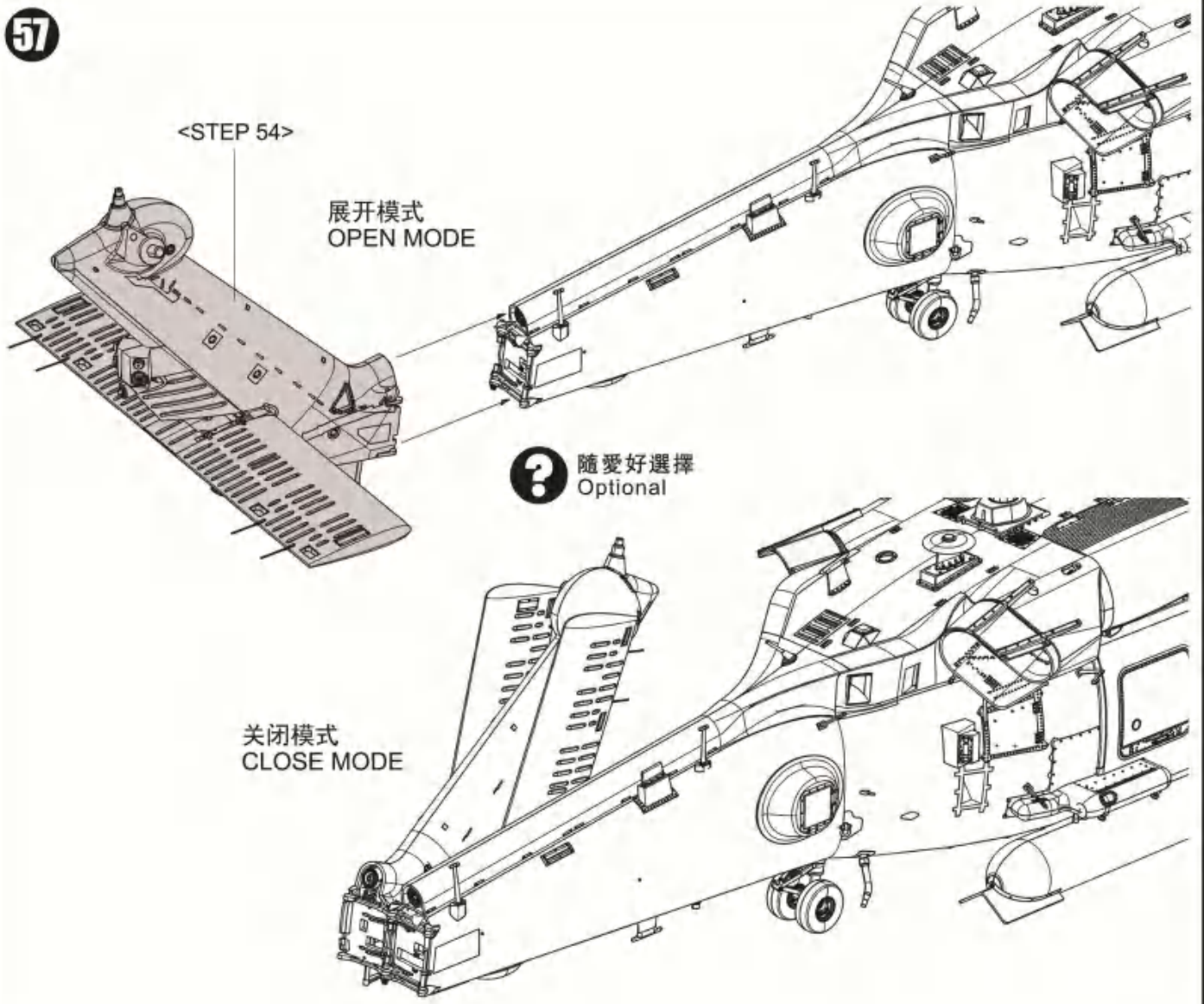
57

<STEP 54>

展开模式  
OPEN MODE

? 随爱好选择  
Optional

关闭模式  
CLOSE MODE



58

<STEP 56>

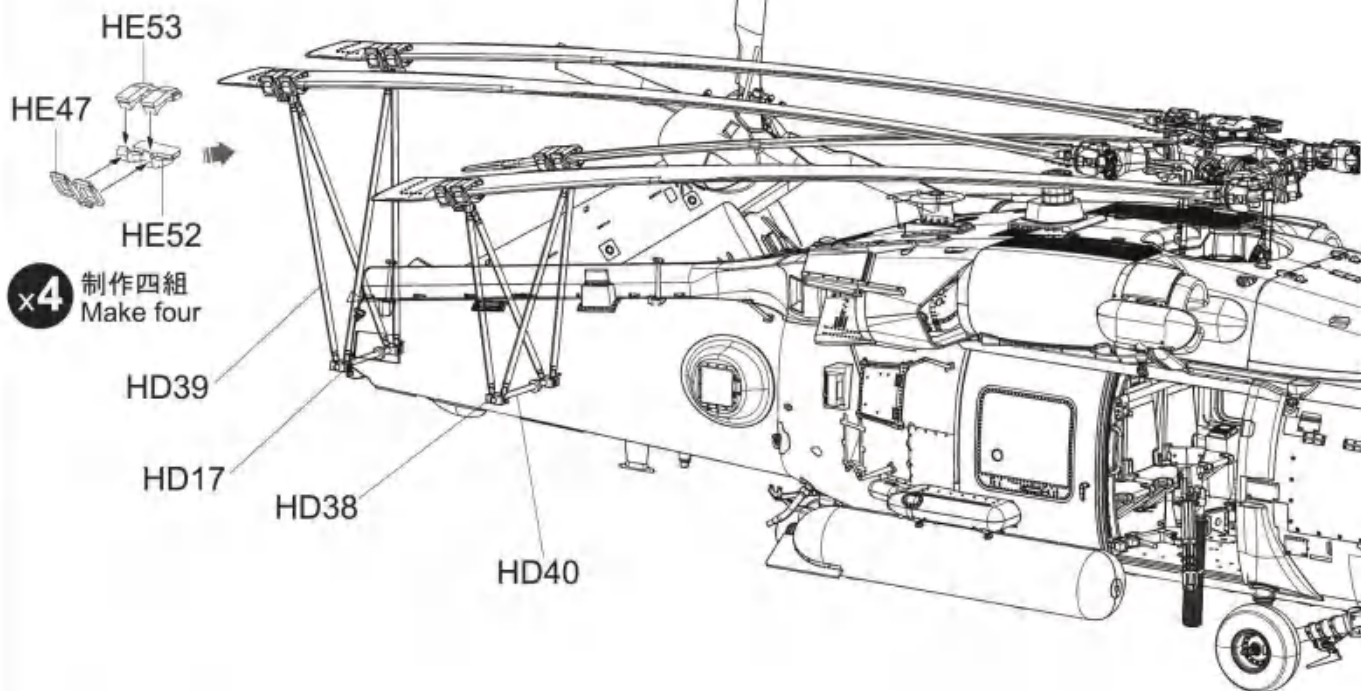
<STEP 55>



关闭模式  
CLOSE MODE



隨愛好選擇  
Optional



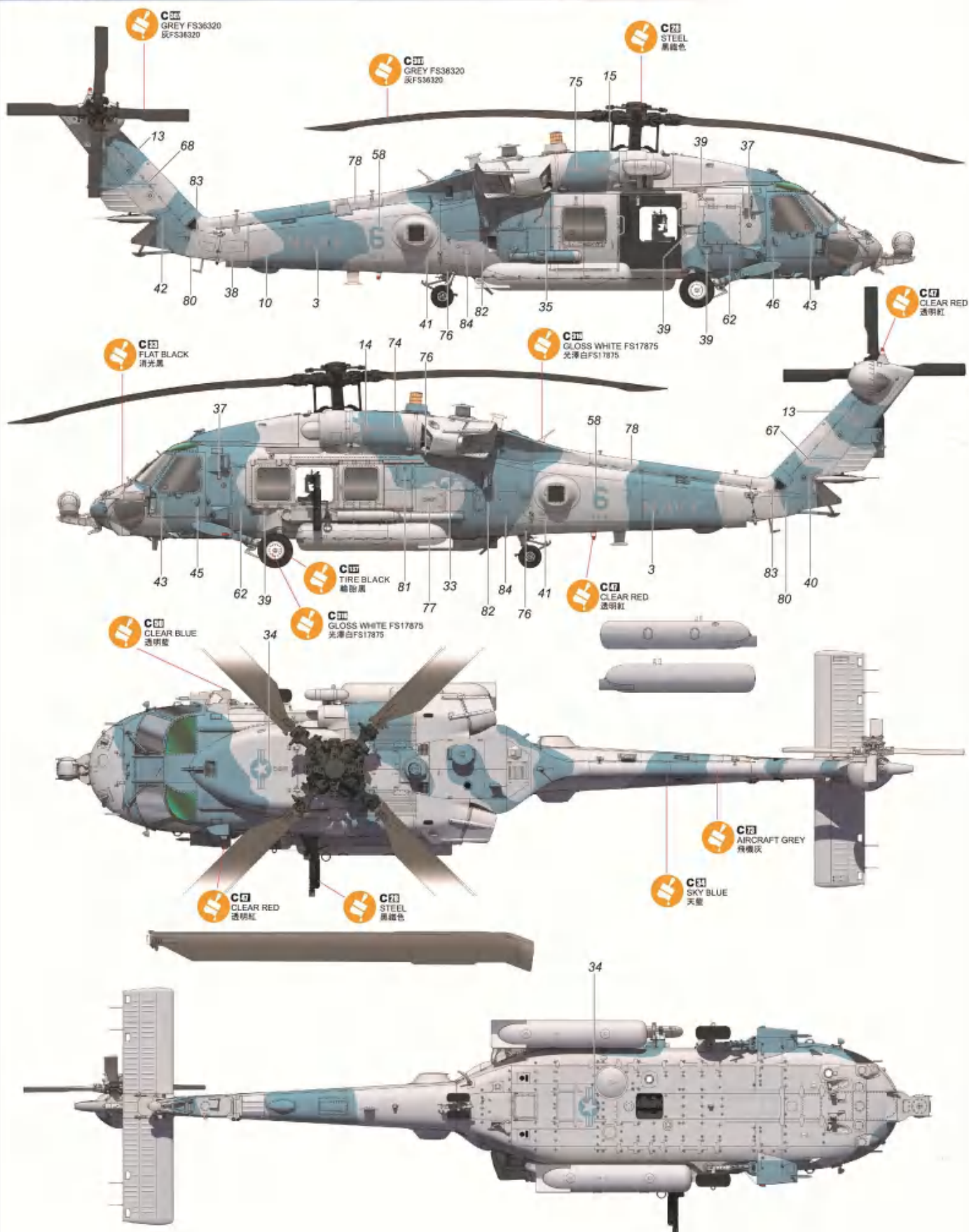
組合完成  
Finished Assembly



# Painting & marking Guide

重裝與水陸

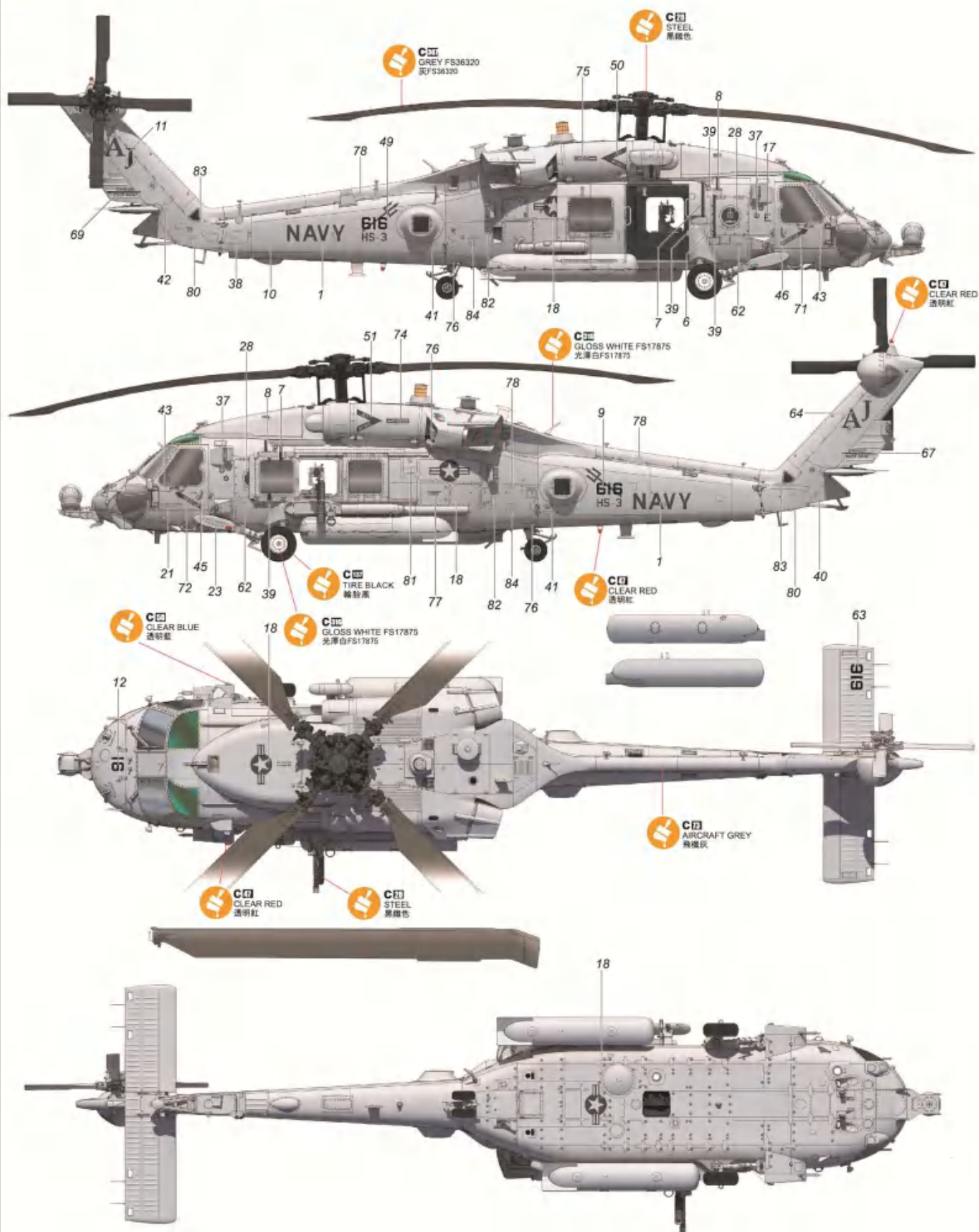
## HH-60H, HS-6



# Painting & marking Guide

塗裝與標記

## HH-60H, HS-3 'Tridents'





# Painting & marking Guide

畫裝與水貼

## HH-60H, HA(L)-3 'Sea Wolves'



# Painting & marking Guide

涂装與水貼

## HH-60H, HS-6 'Indians'

