

**Instruction**

模型拼裝說明書

**1:35 Scale**



# MH-60S Knighthawk



1:35 SH-60B “海鷹” 直升機

ZM50015

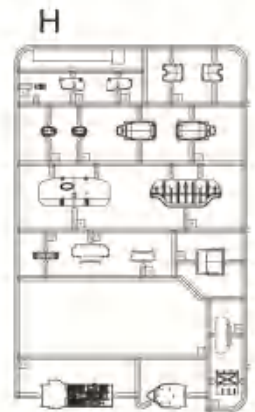
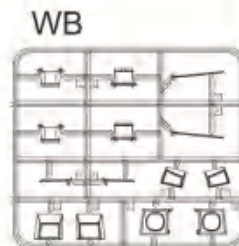
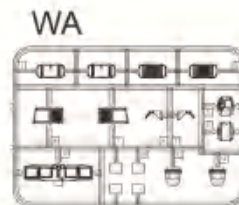
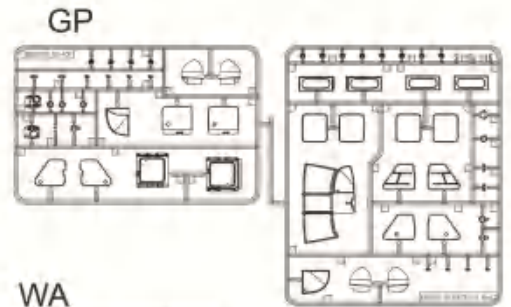
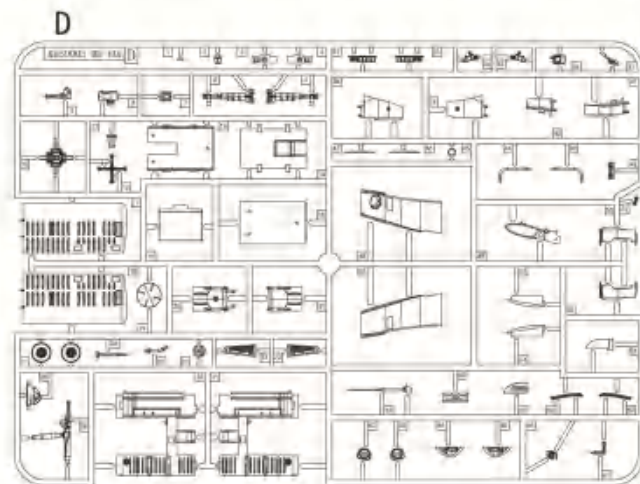
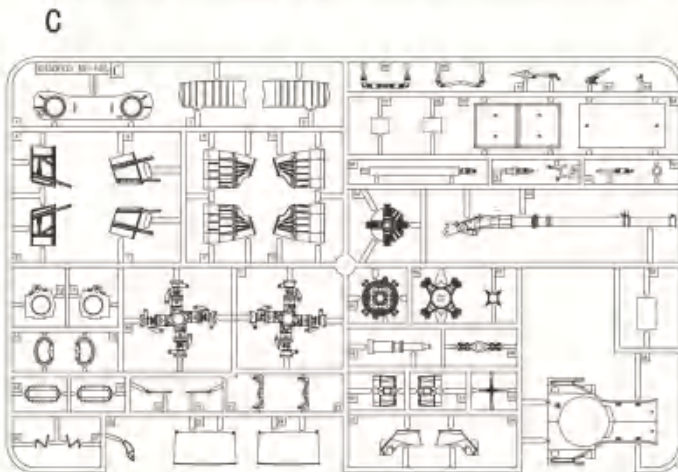
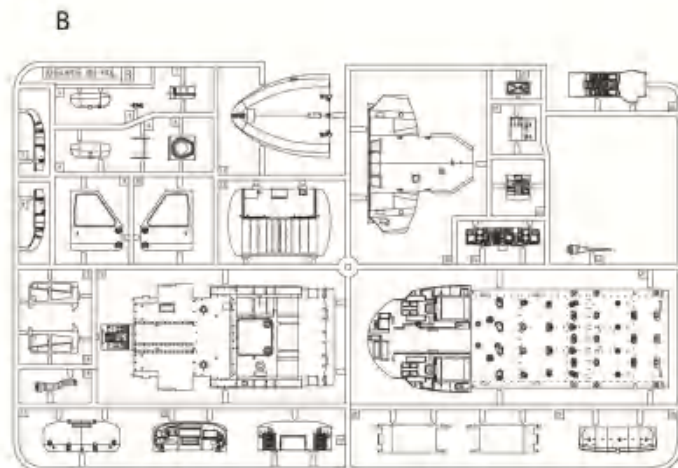
# READ BEFORE ASSEMBLY

在組合您的模型之前，請充分閱讀本冊說明書。組合模型您需要如下物品（需另購）：模型膠水；一把模型鉗或一把用于將零件從框架上切下的模型筆刀。筆刀同樣可以用來修整零件的合模綫。祝您制作愉快！

Before assembling your model kit, read through these instructions carefully. To assemble this kit, you will need Plastic glue (not included). A pair of side cutter or a sharp modelling knife is required for removing parts from the frame. Plastic mold lines can be removed with the modelling knife.

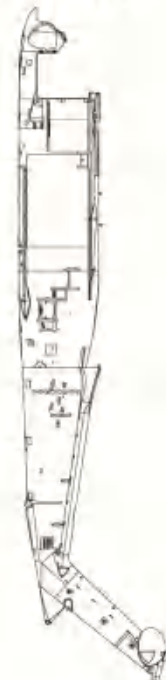
-  **請注意**  
Special instructions
-  **隨愛好選擇**  
Optional
-  **組合完成**  
Finished Assembly
-  **彎曲**  
Bend
-  **制作兩組**  
Make Two
-  **鉗孔**  
Make Hole
-  **塗色**  
Painting
-  **無需膠粘**  
Do Not Cement
-  **切除**  
Cut
-  **對側**  
Opposite

## 部品图 Part



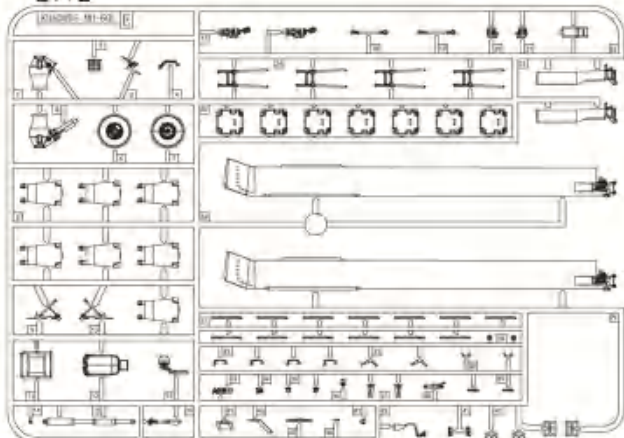
《左侧机身》  
Left fuselage

《右侧机身》  
Right fuselage

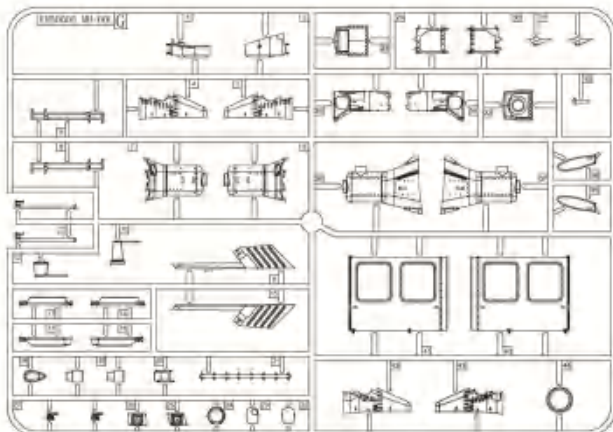




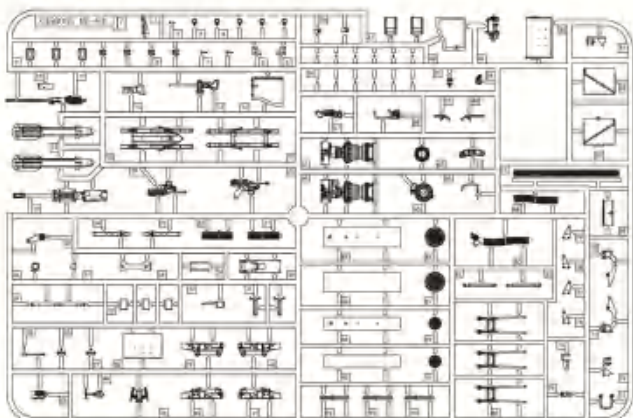
EX2



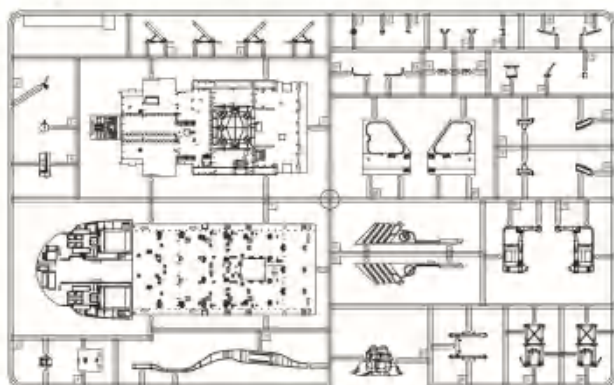
G



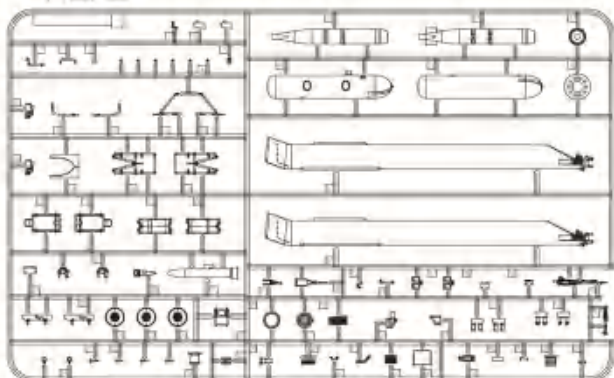
FX2



K



HEX2



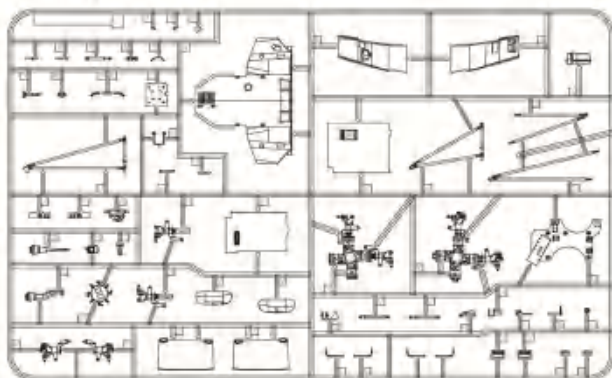
《水贴纸A》  
Decal A



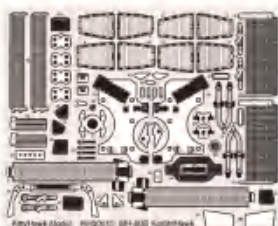
《水贴纸B》  
Decal B



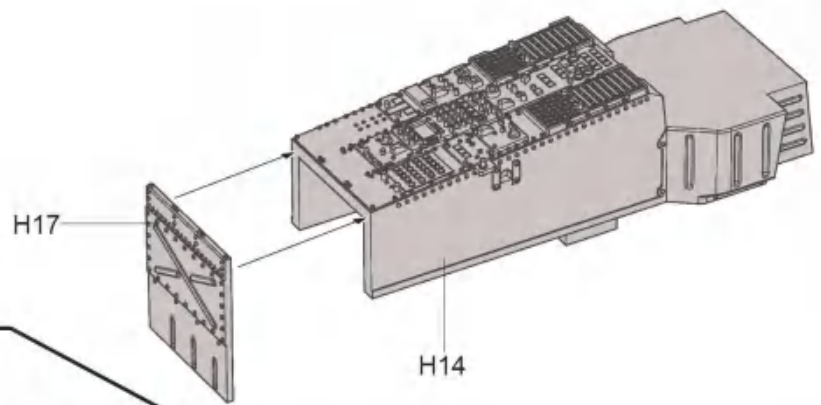
HD



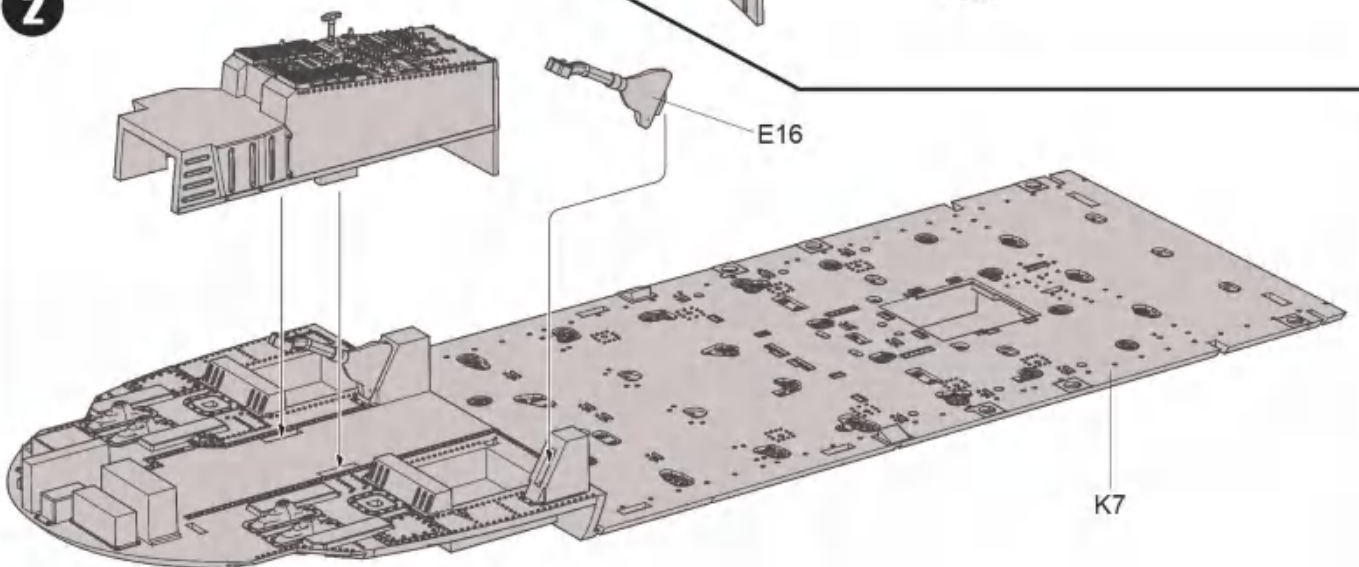
《蚀刻片》  
PE



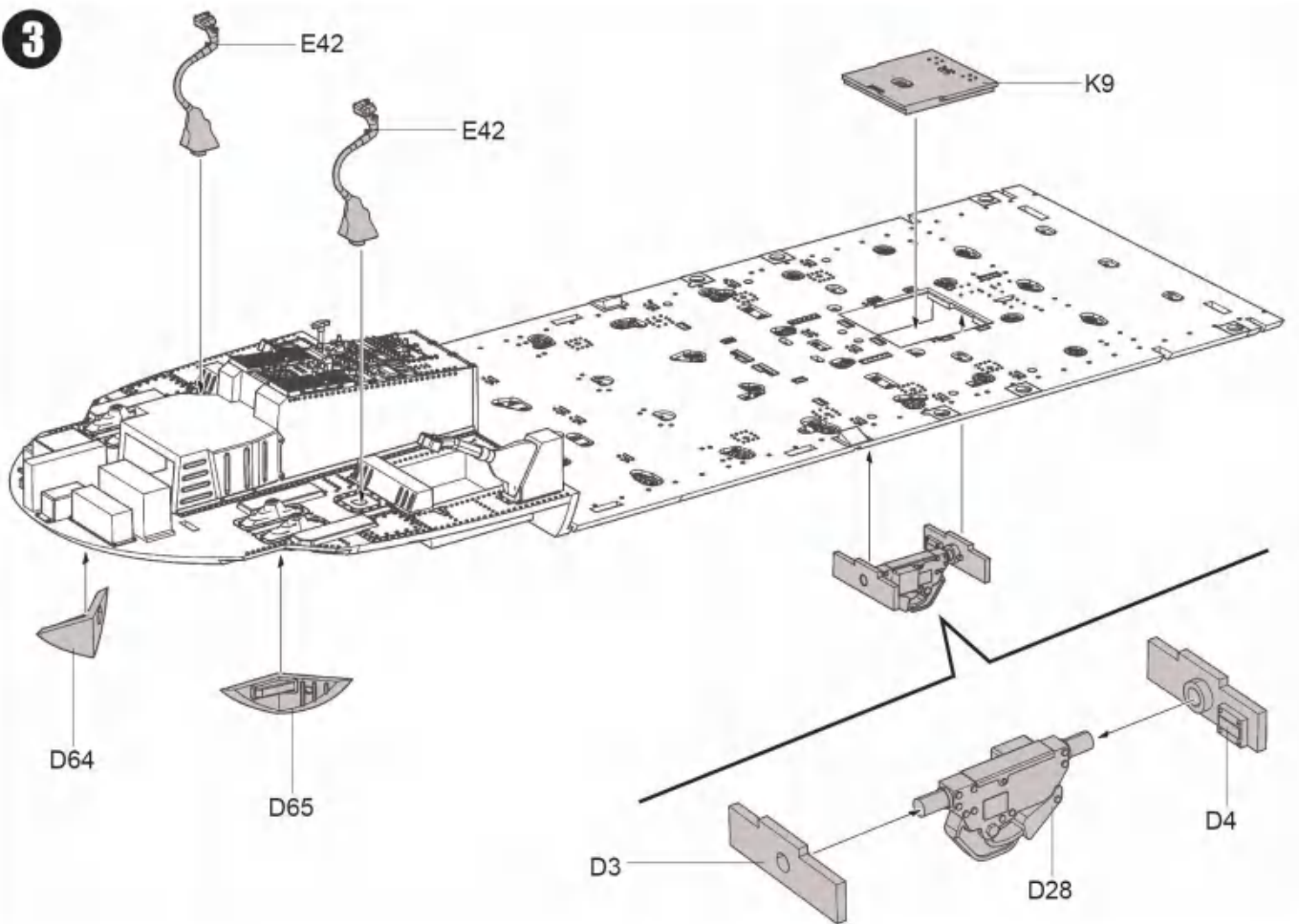
1



2

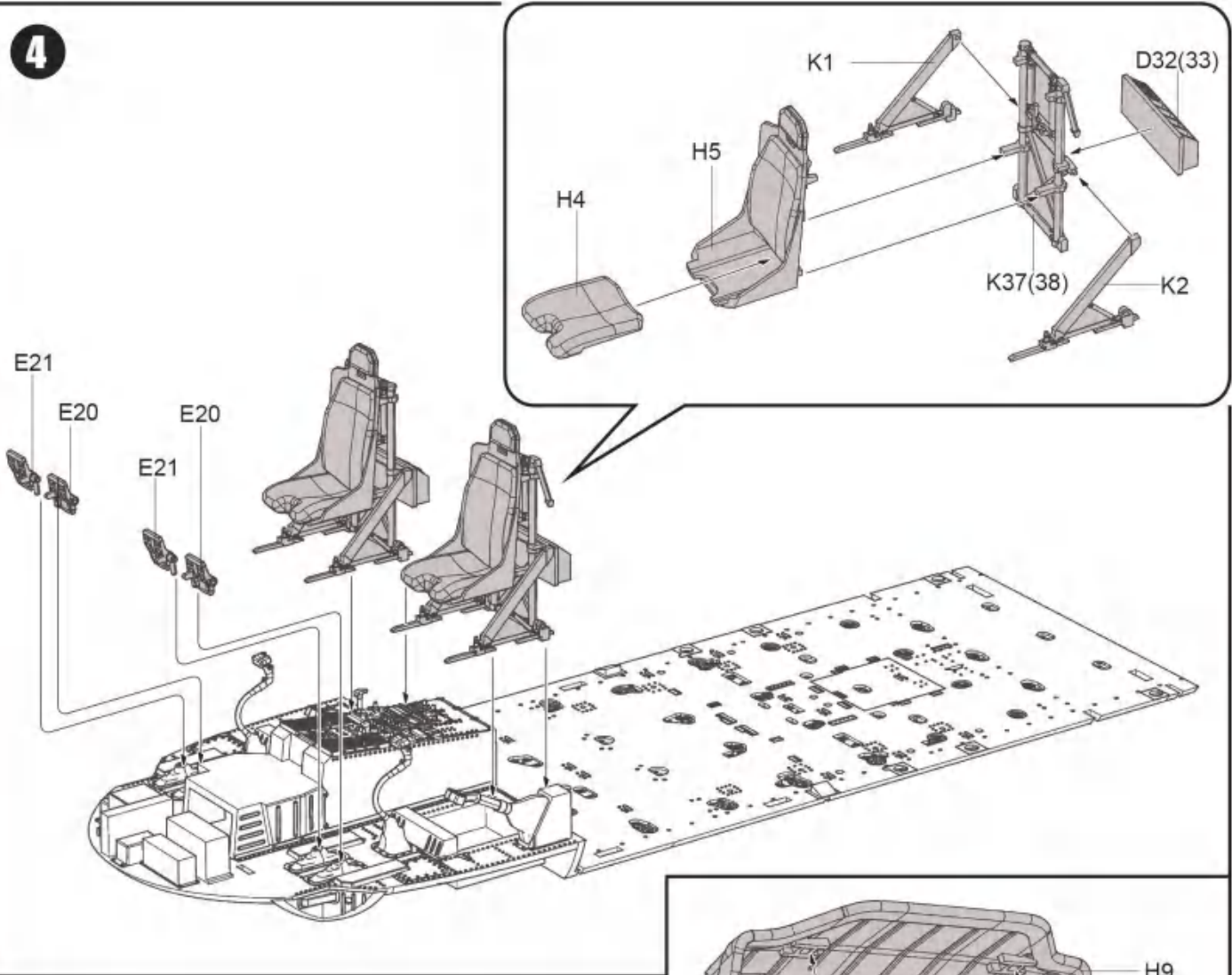


3

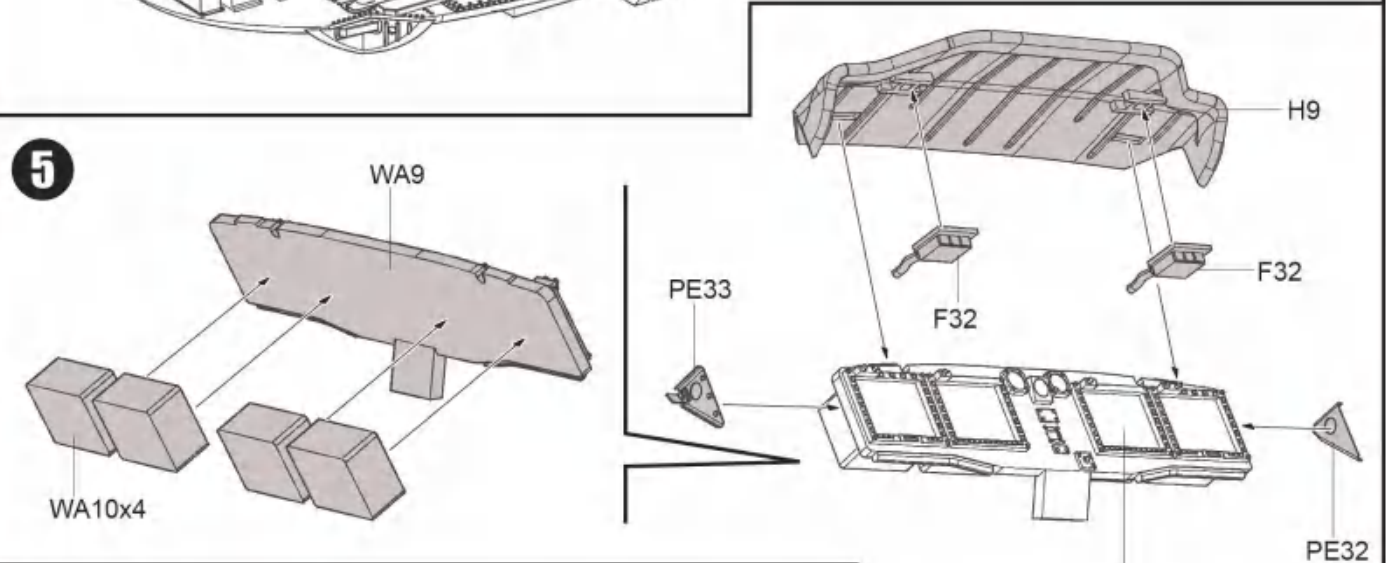




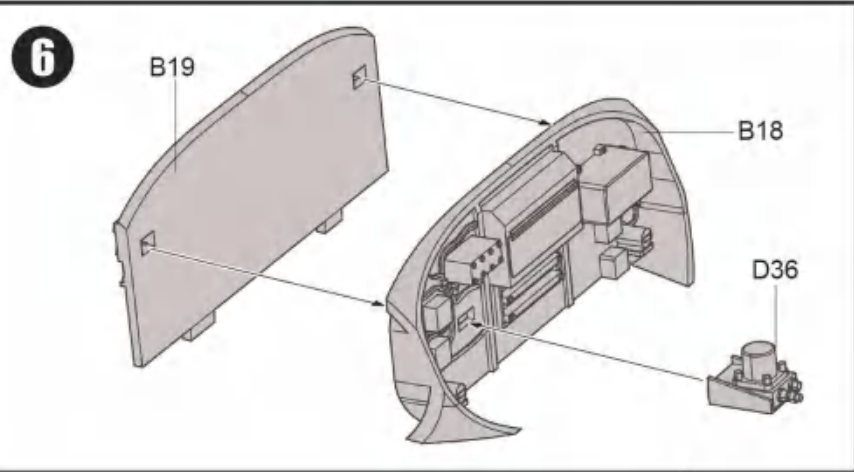
**4**



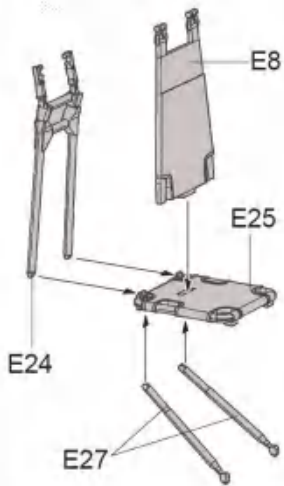
**5**



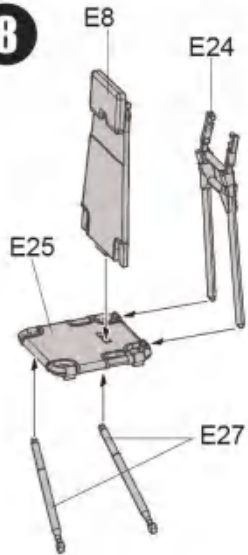
**6**



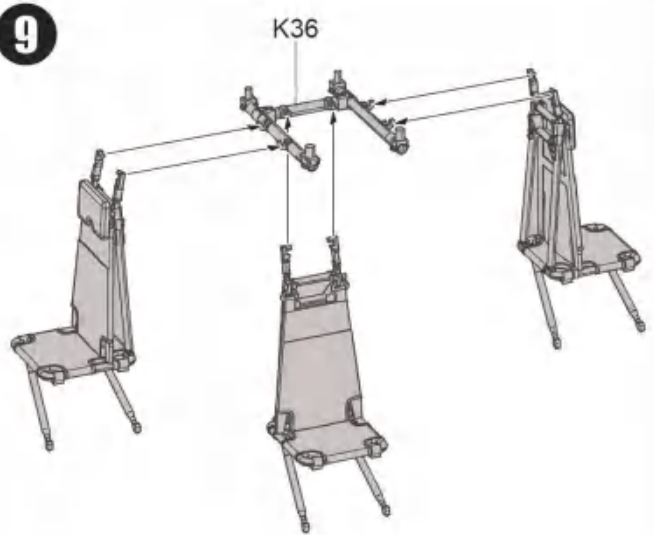
7



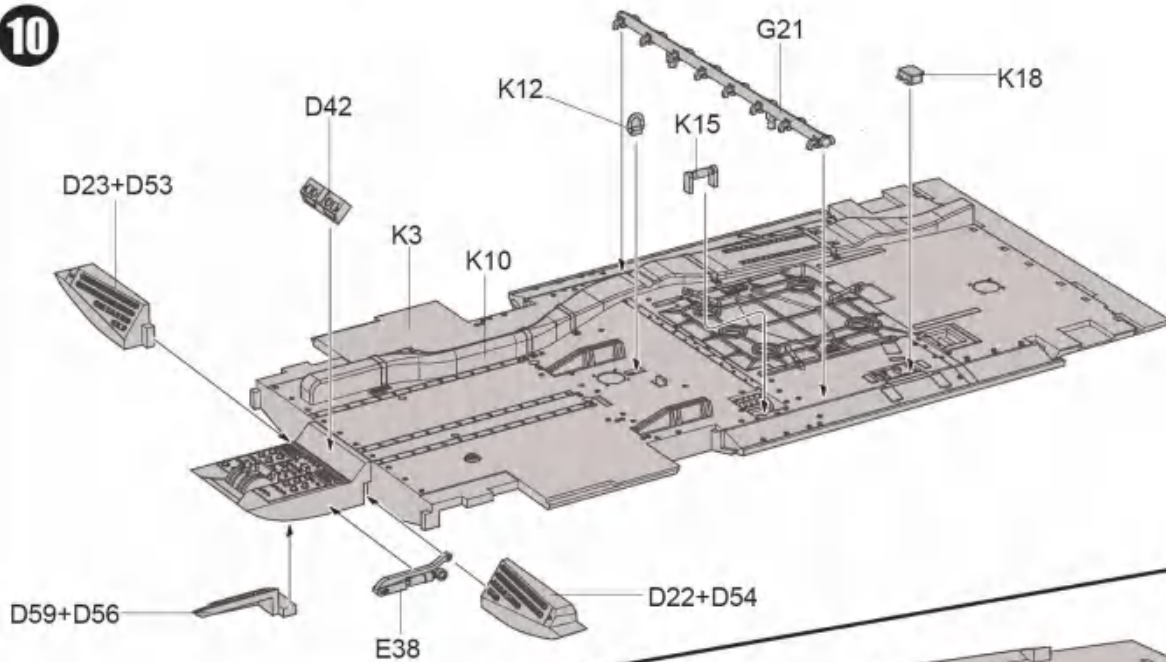
8



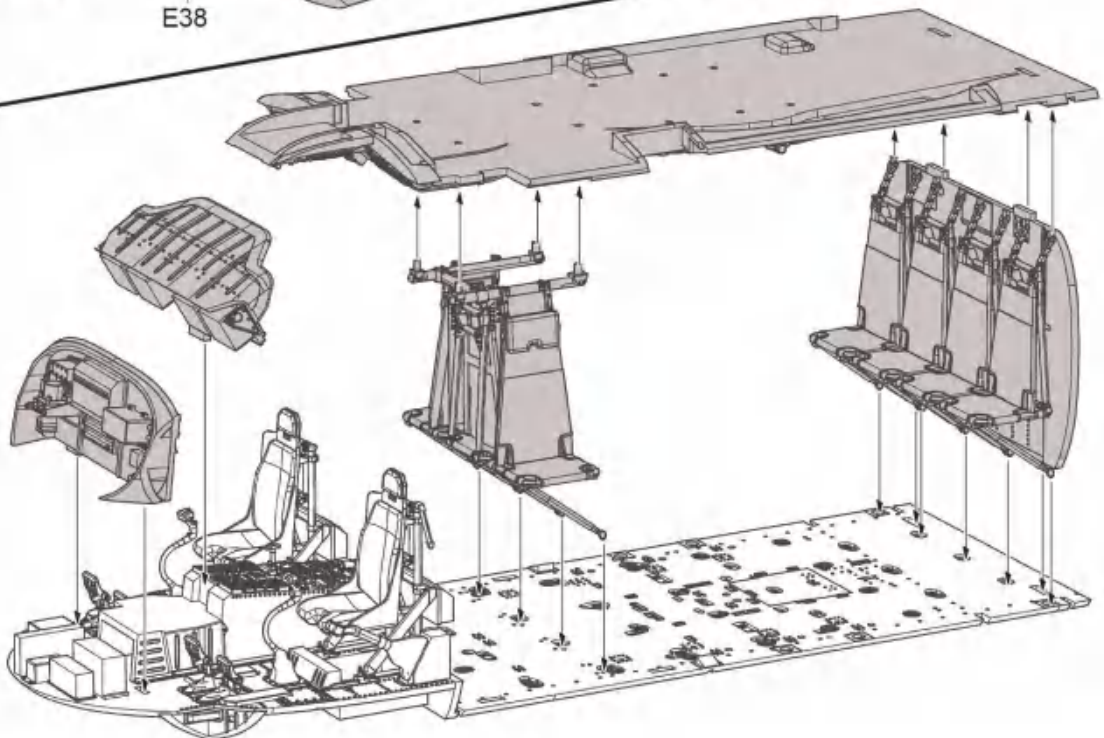
9

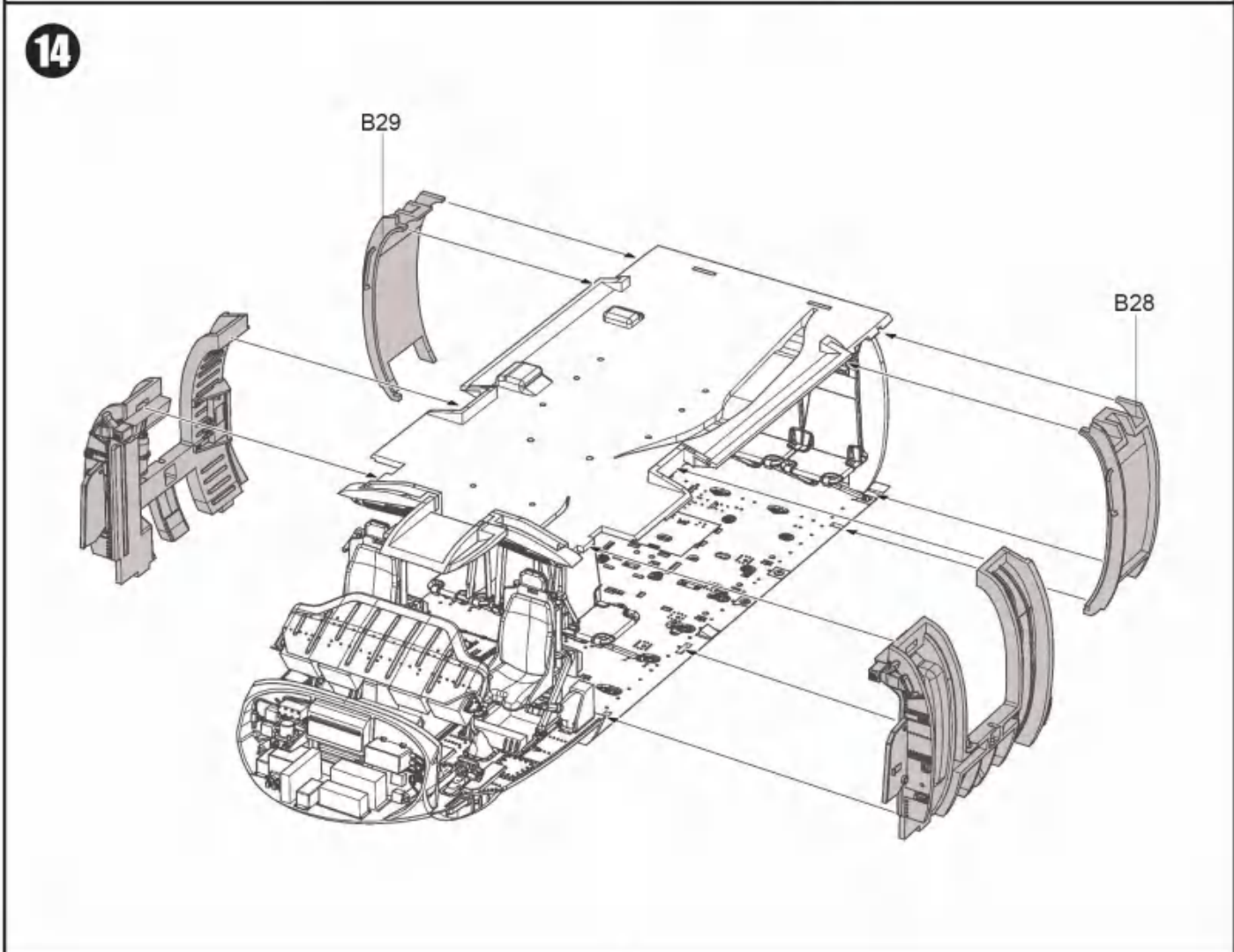
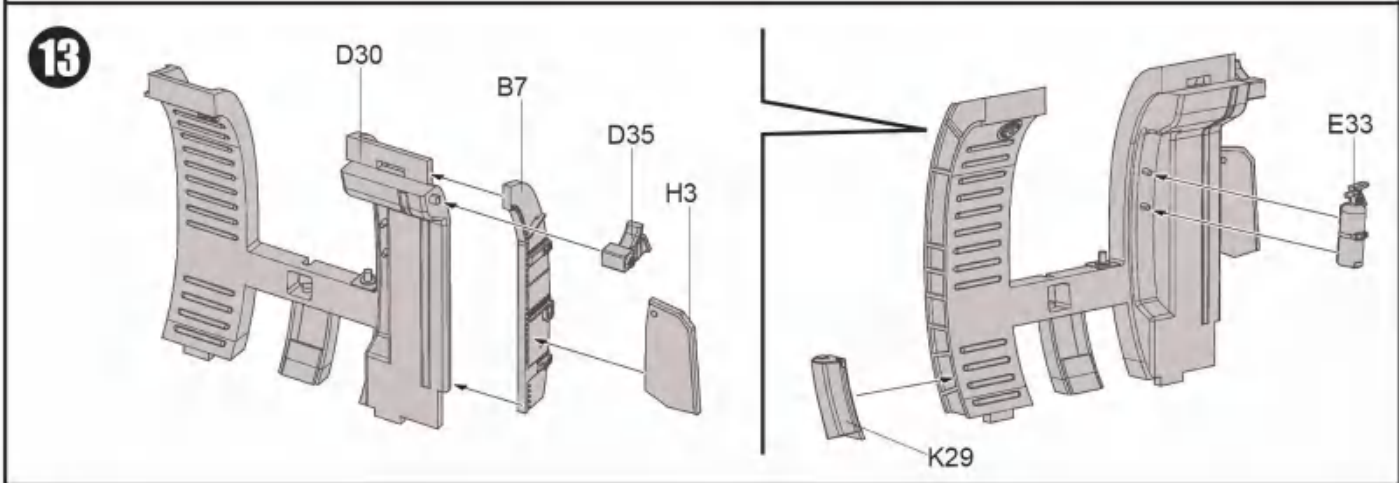
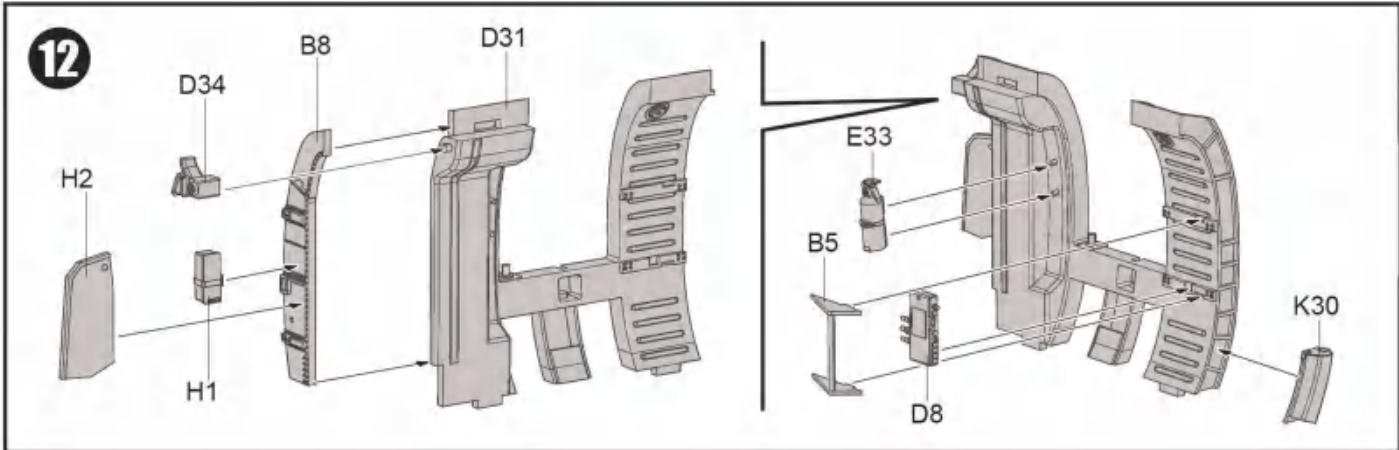


10



11







15

《右侧机身》  
Right fuselage

D29

D9

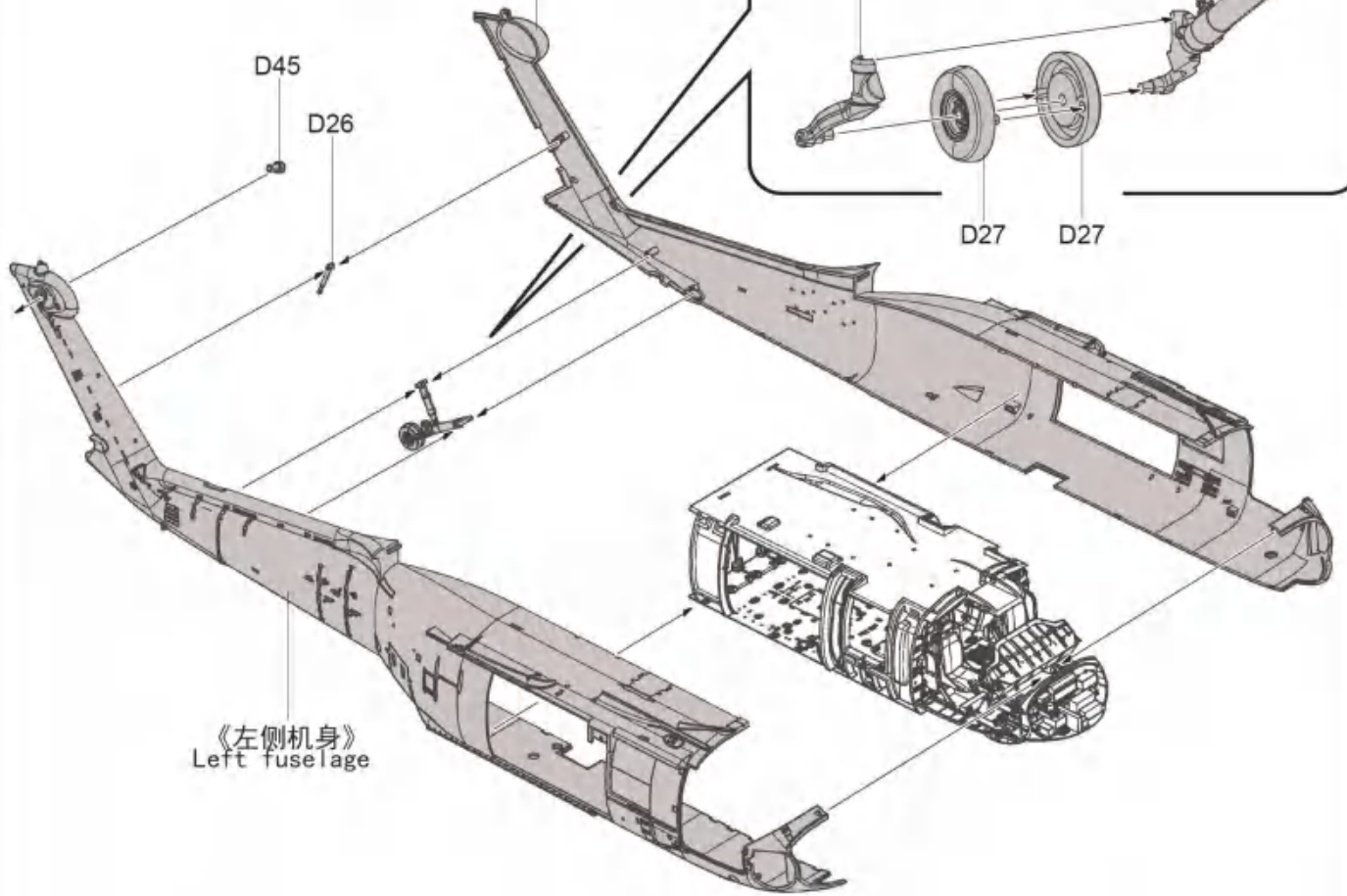
D45

D26

D27

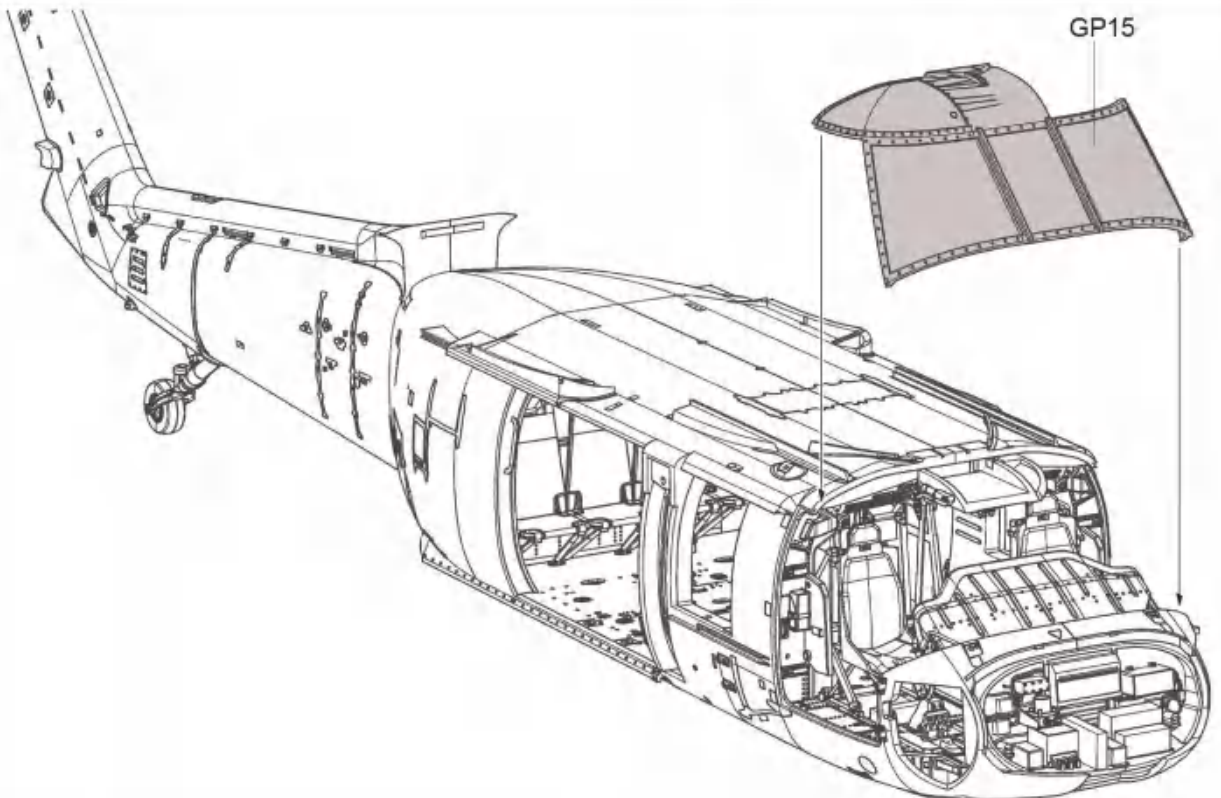
D27

《左侧机身》  
Left fuselage

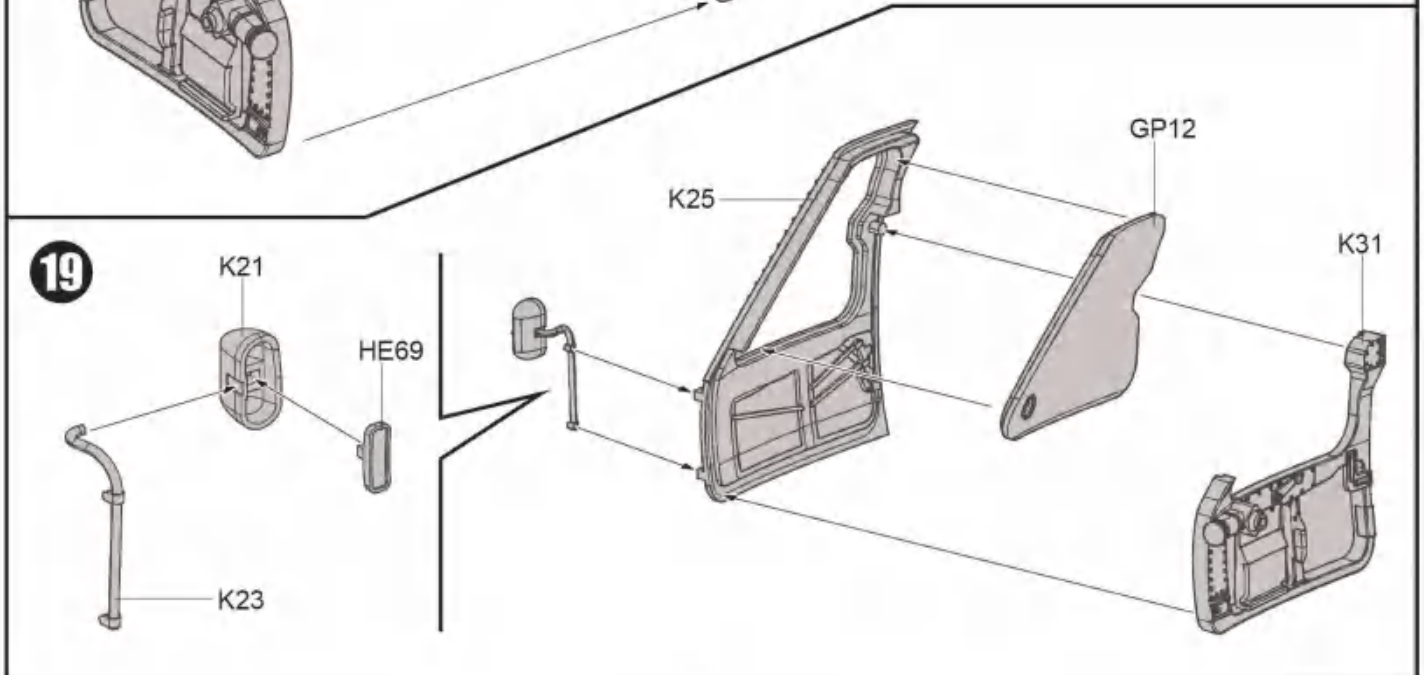
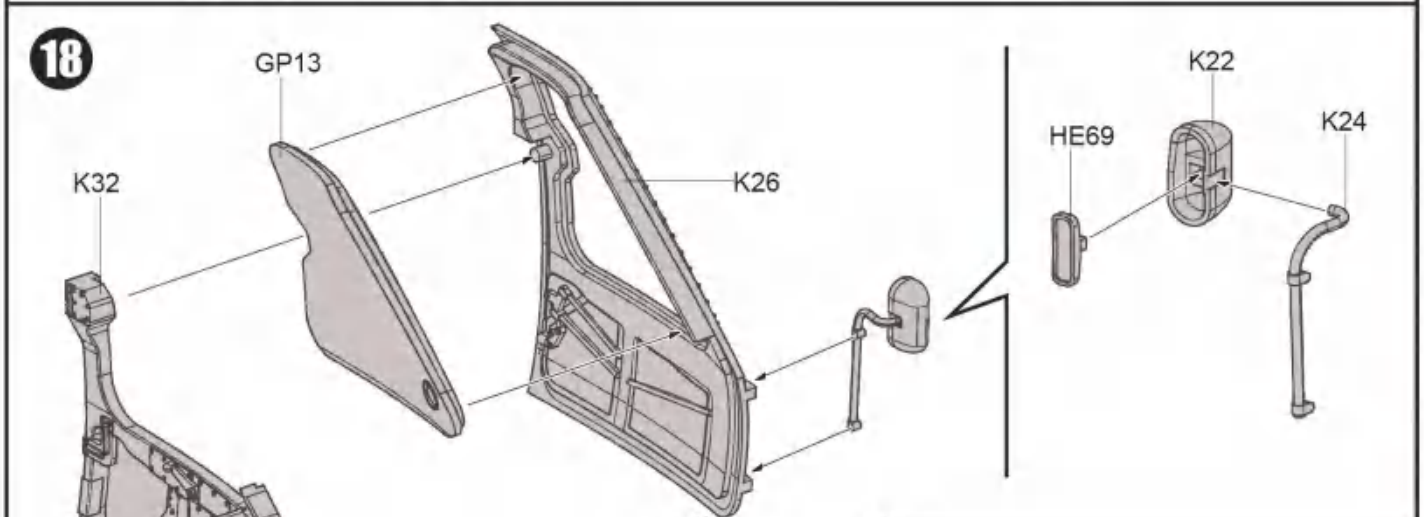
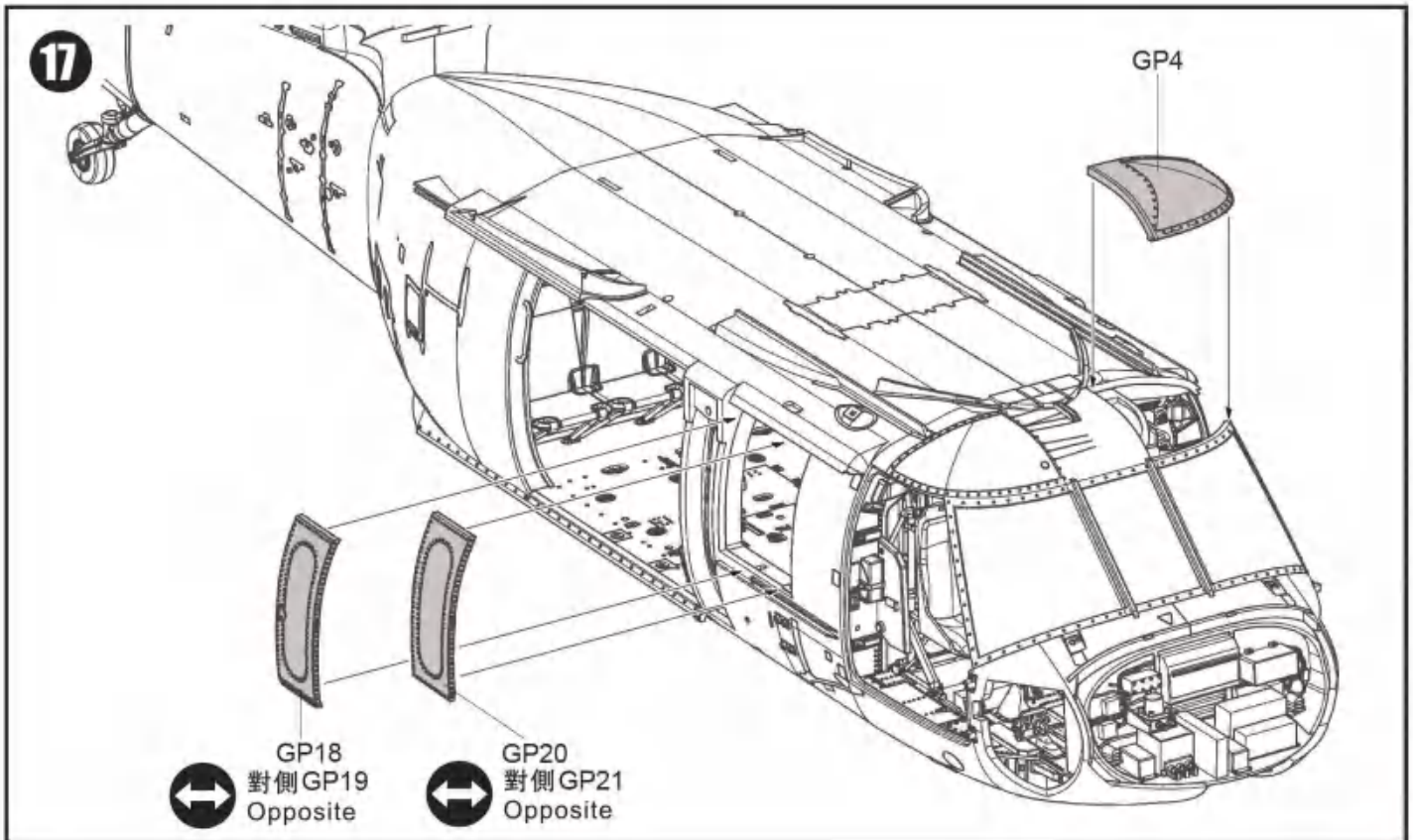


16

GP15



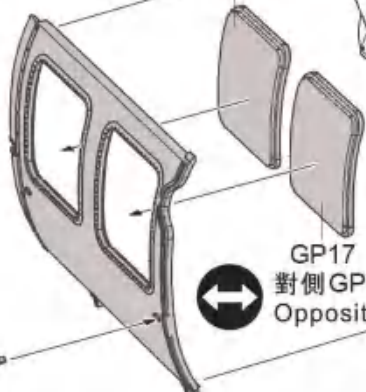




20



對側 GP13  
Opposite  
GP16



GP17  
對側 GP12  
Opposite



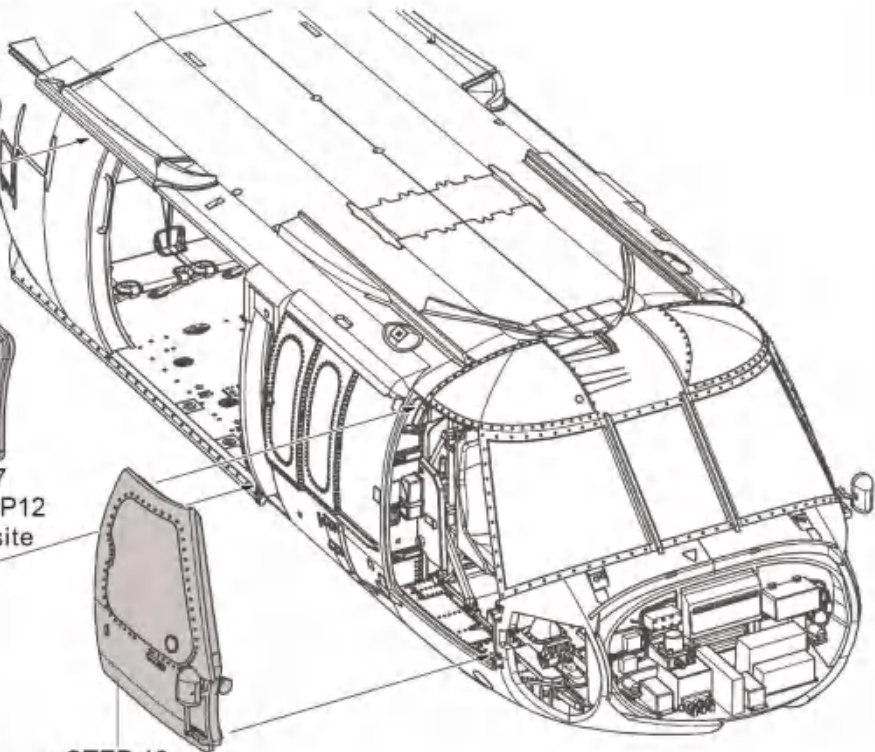
F7  
對側相同  
Both sides



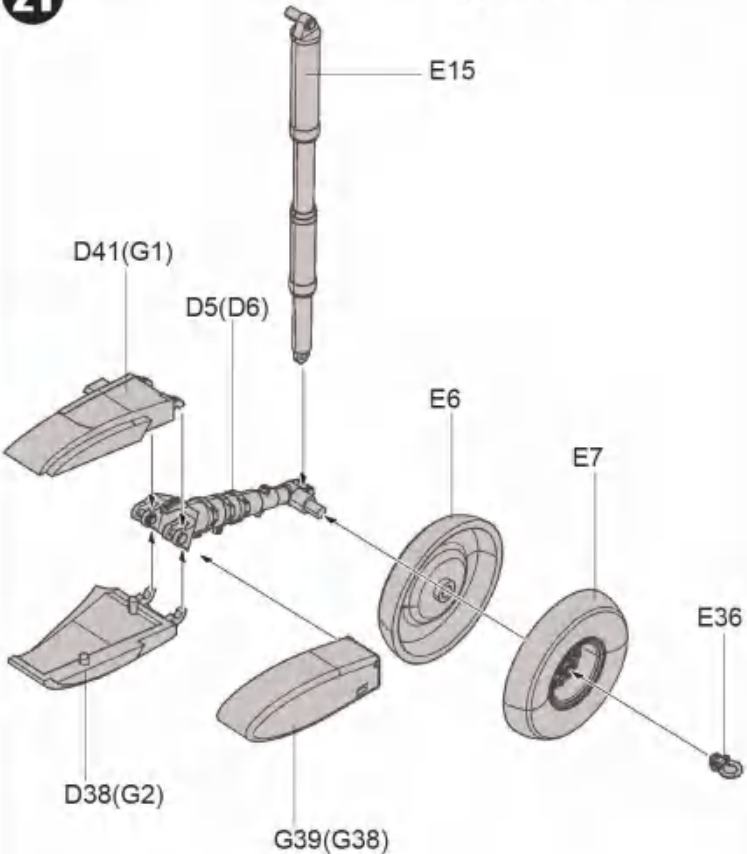
G40  
對側 G41  
Opposite



<STEP 19>  
對側 <STEP 18>  
Opposite



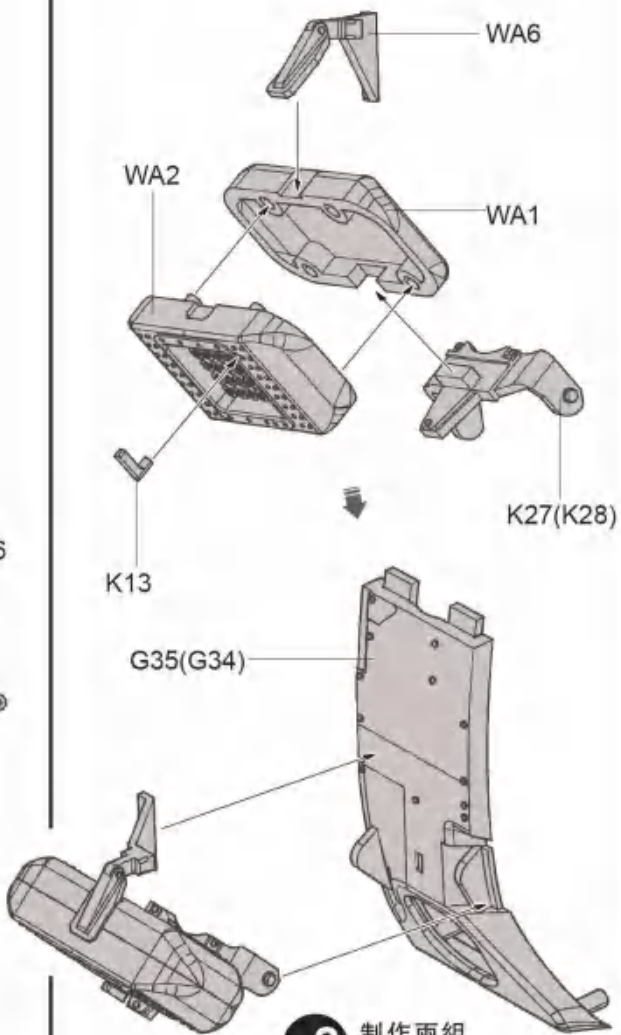
21



x2

制作兩組  
Make Two

22

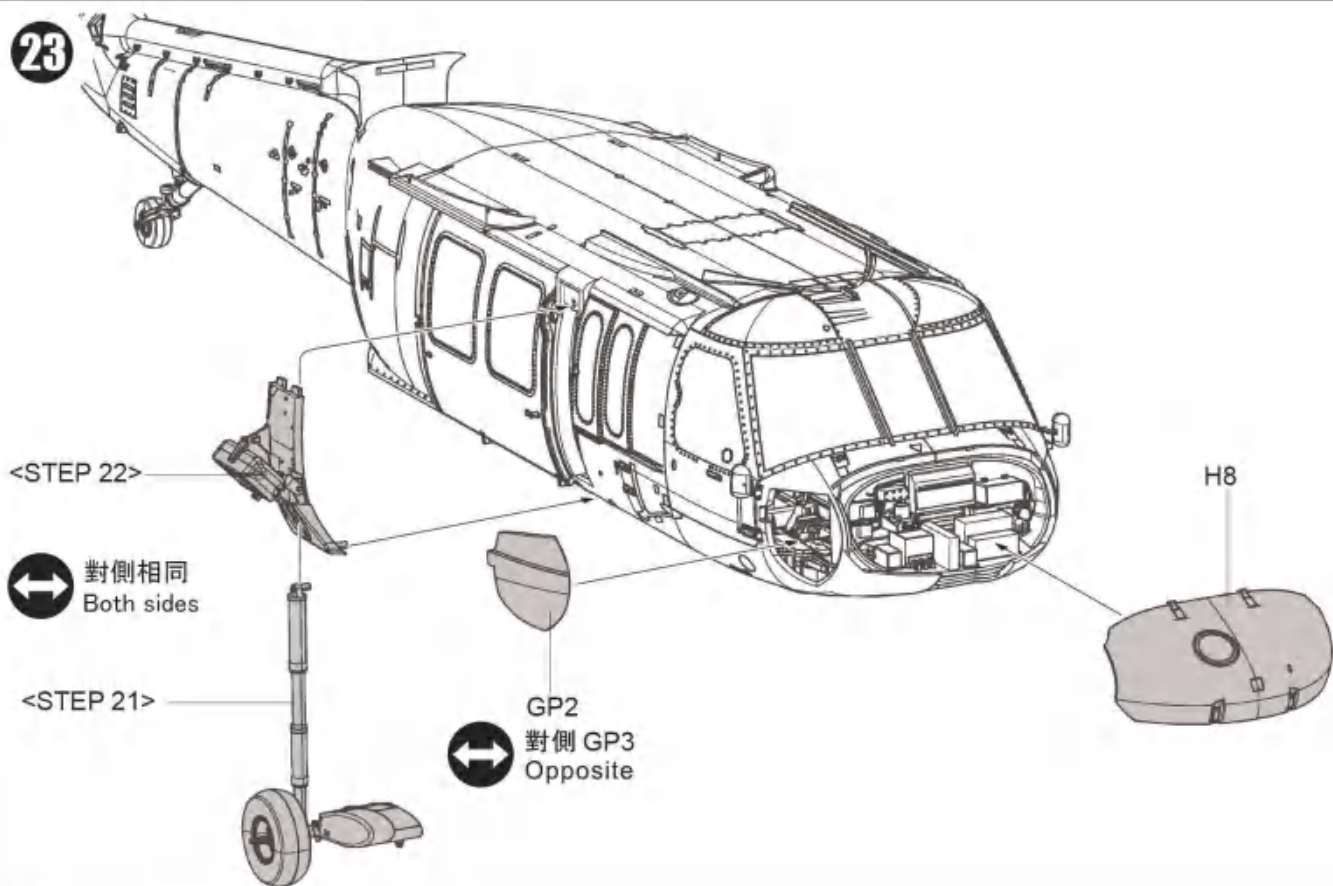


x2

制作兩組  
Make Two



23

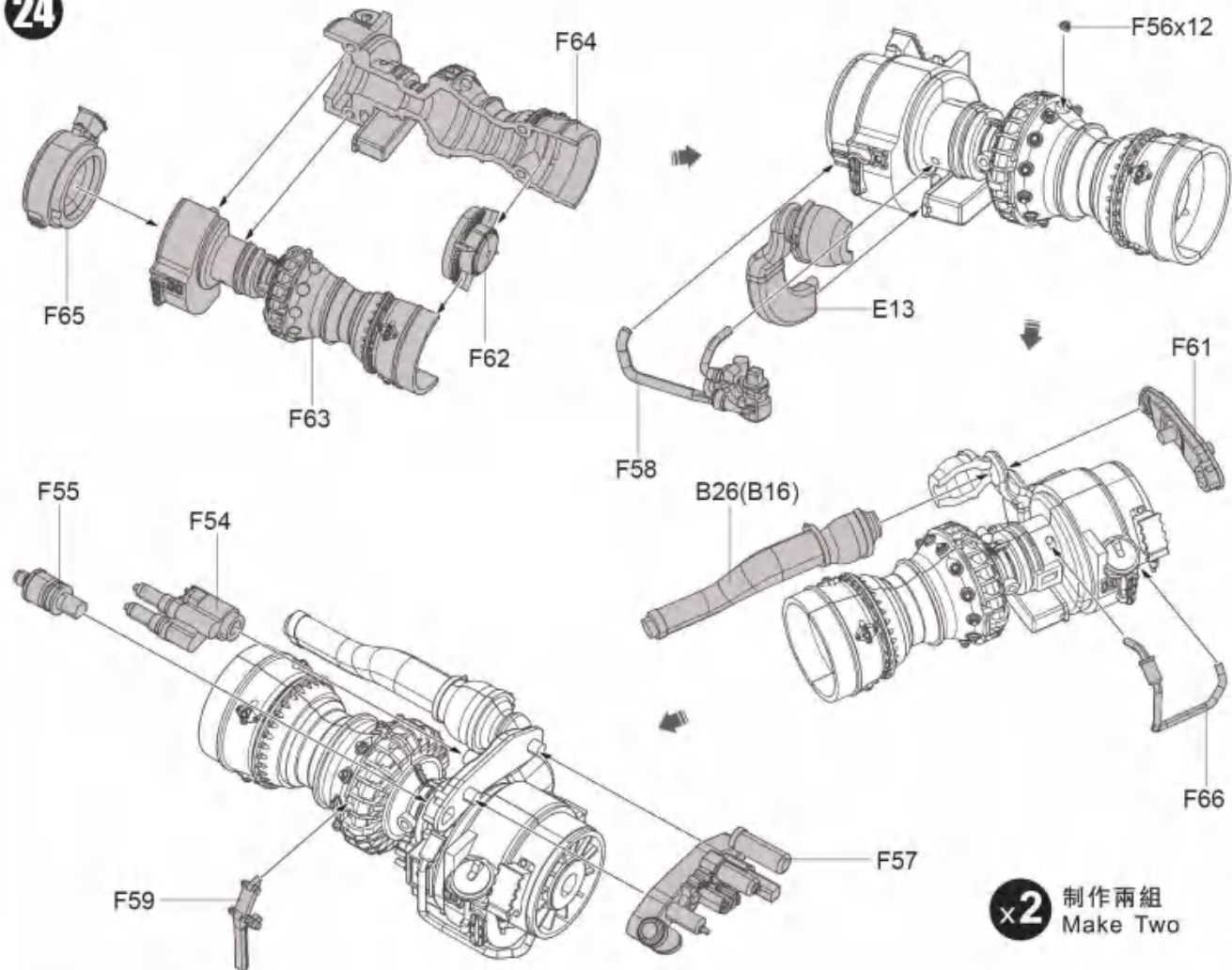


對側相同  
Both sides

<STEP 21>

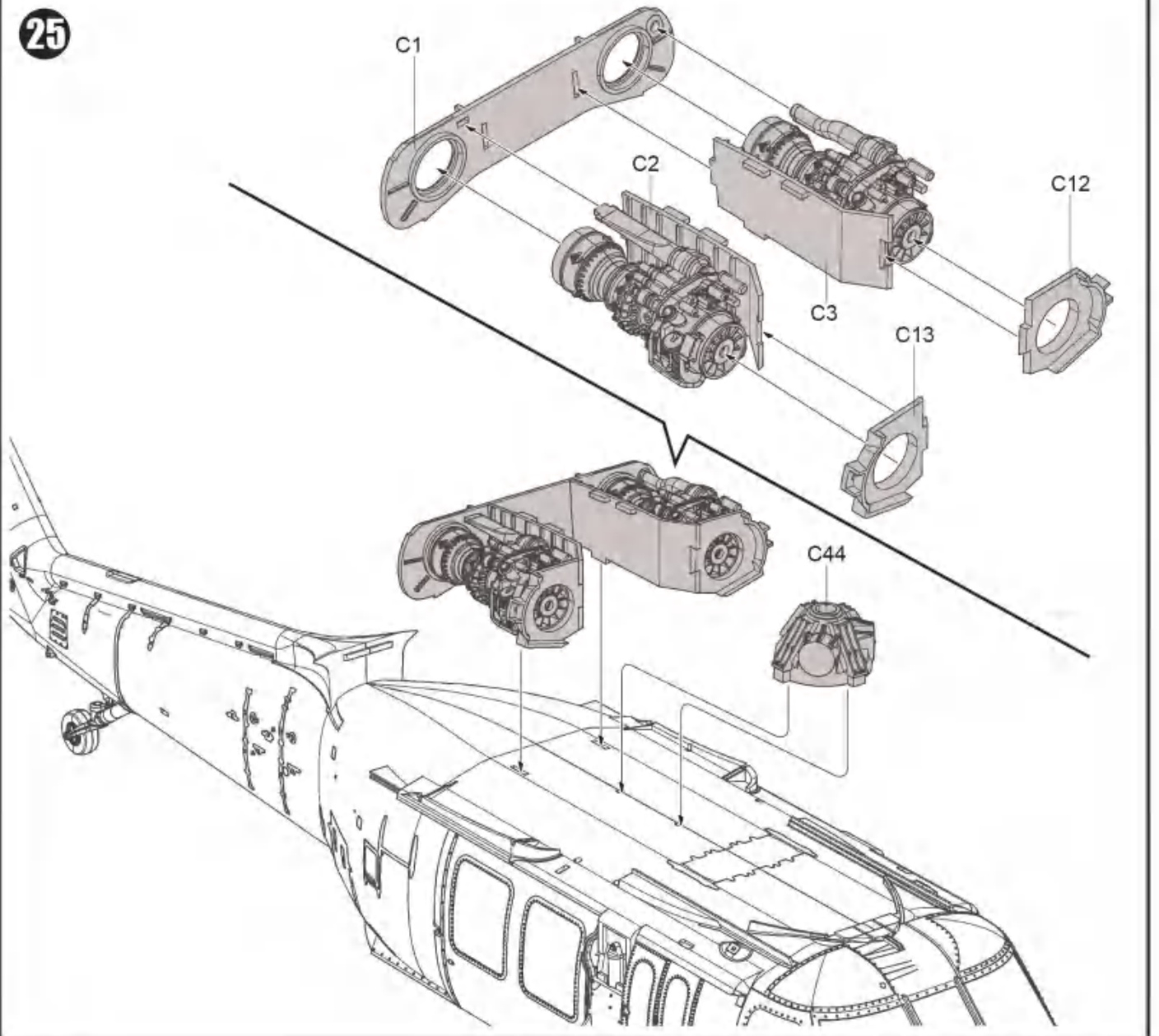
GP2  
對側 GP3  
Opposite

24

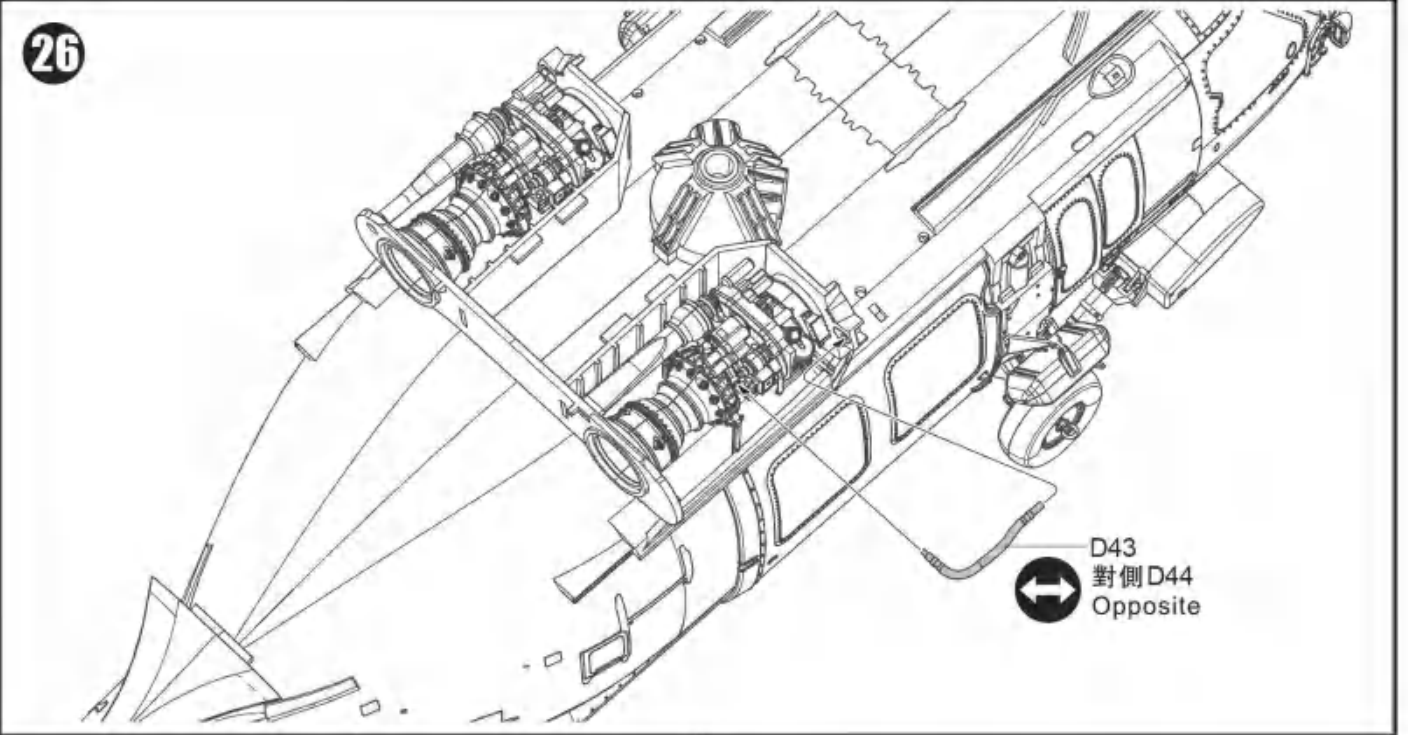


x2 制作兩組  
Make Two

25

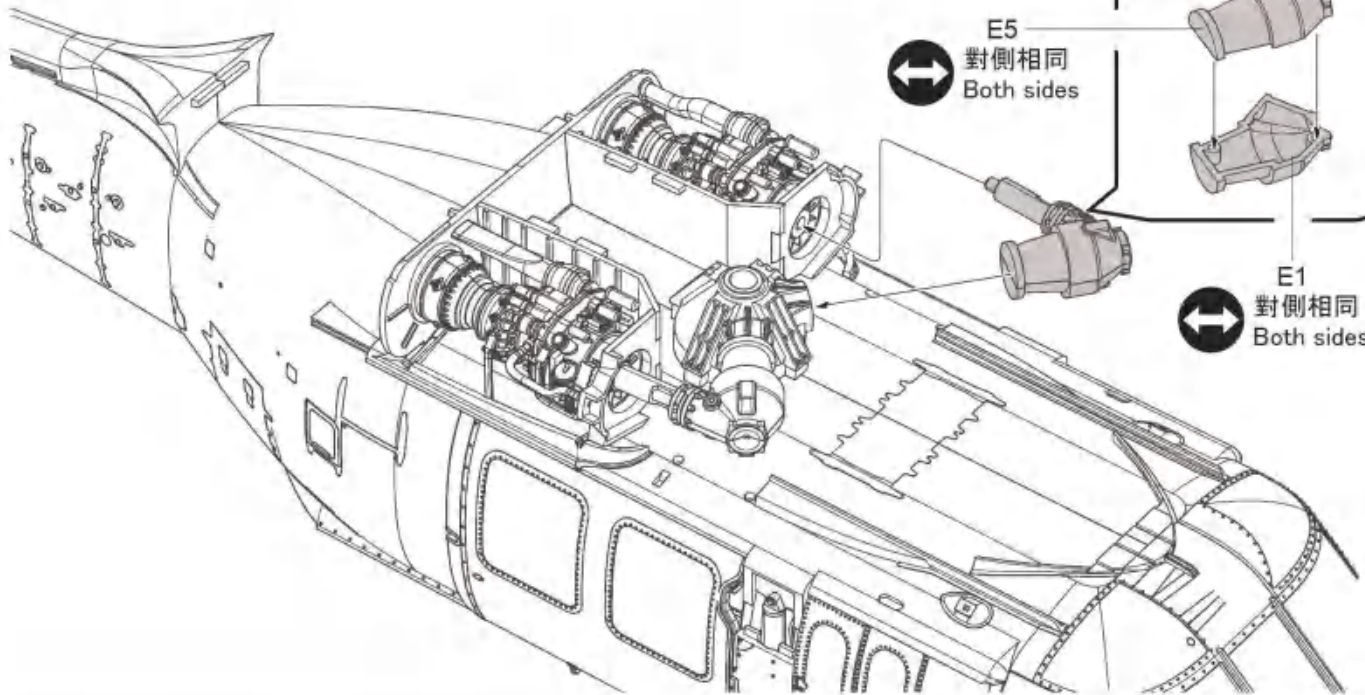


26

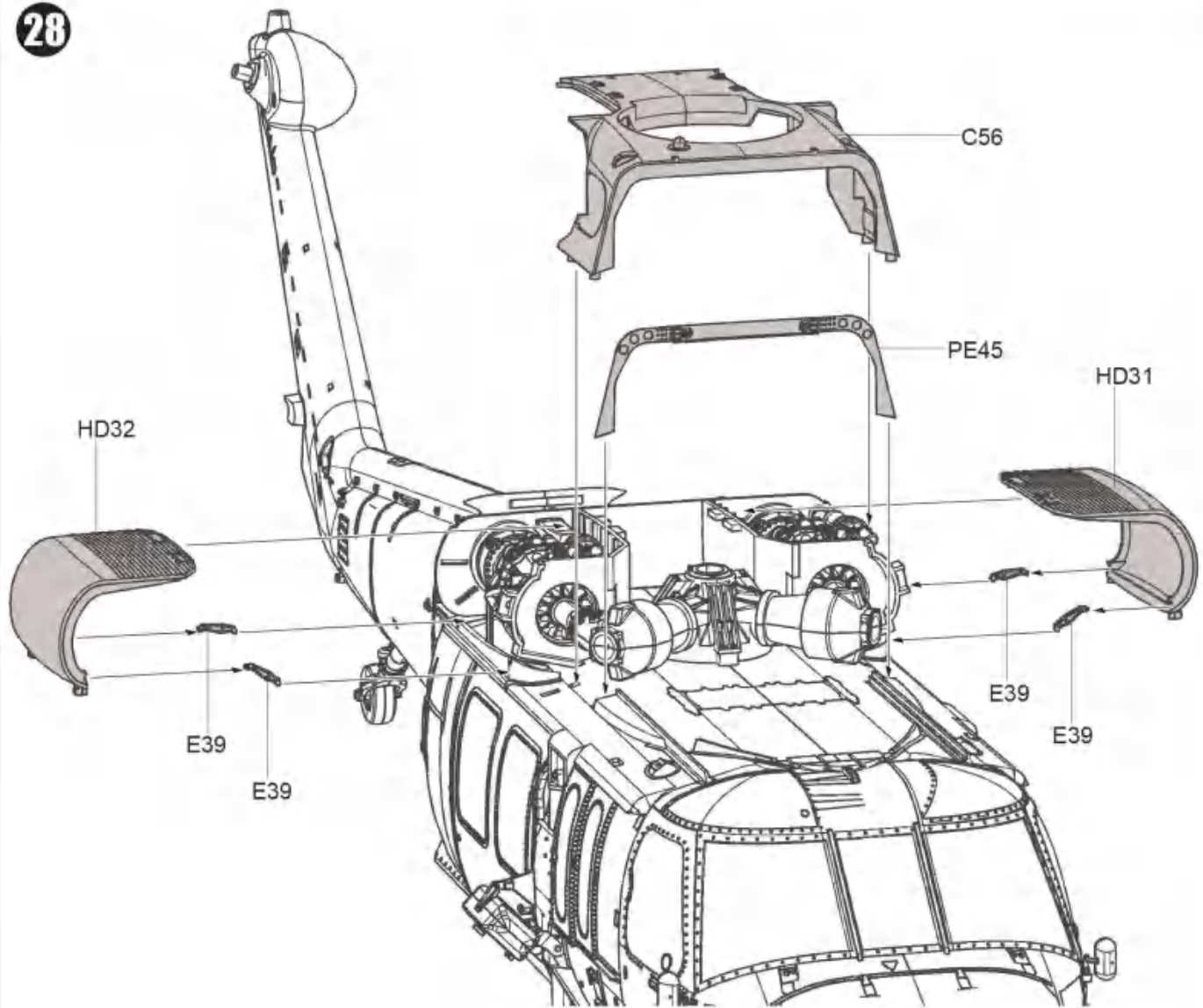




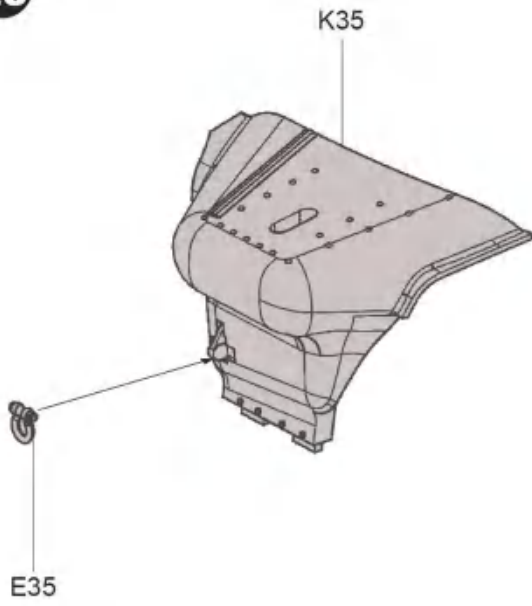
27



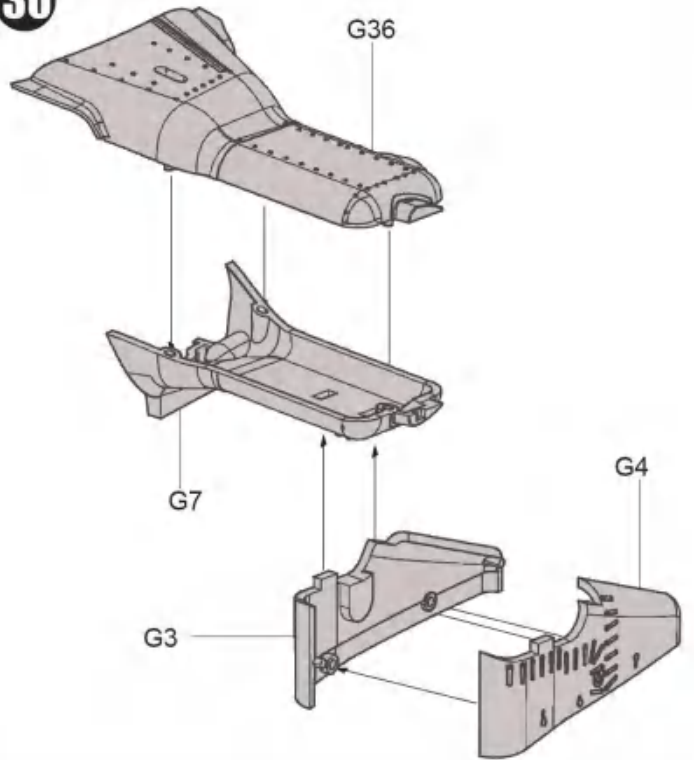
28



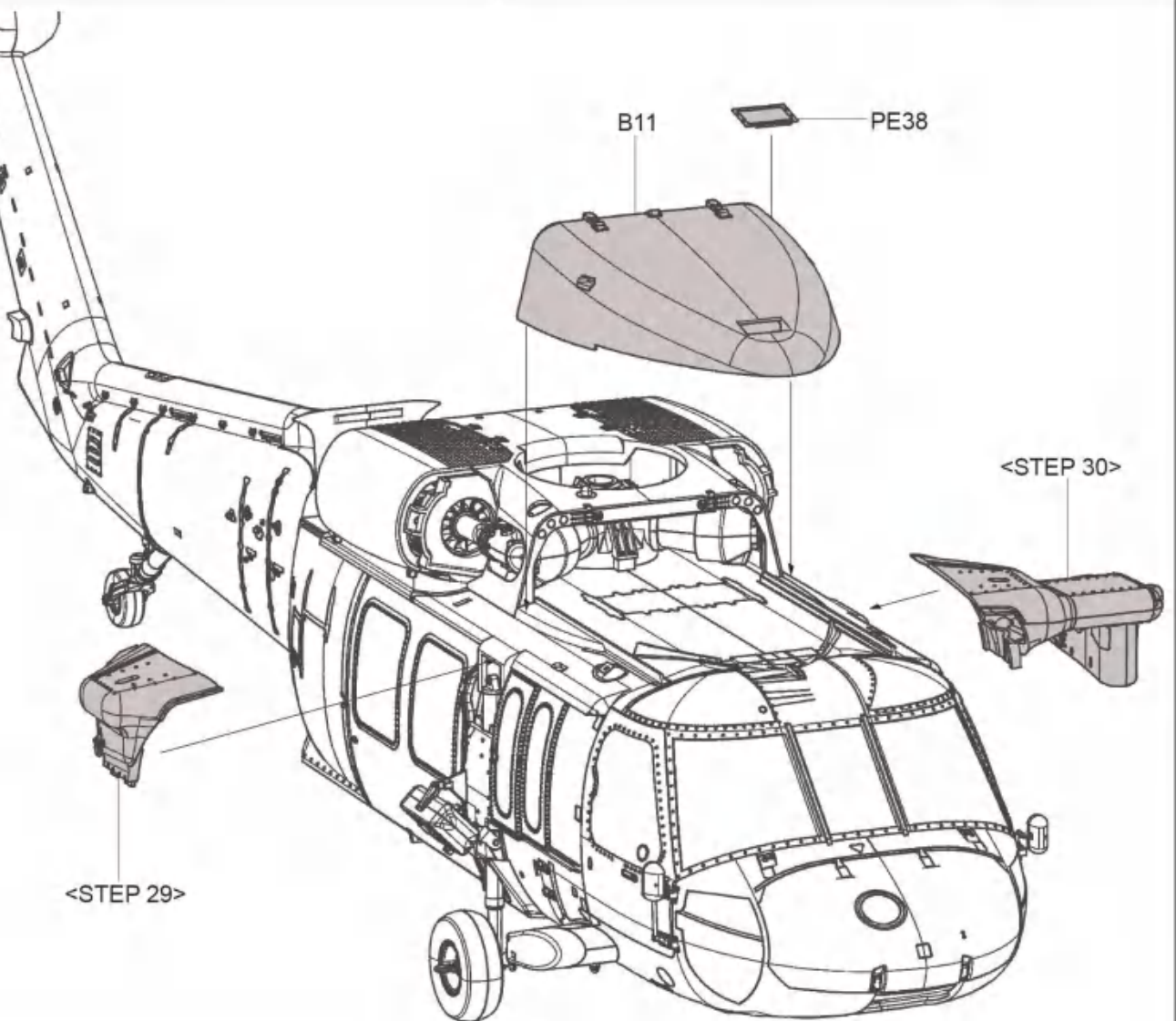
29



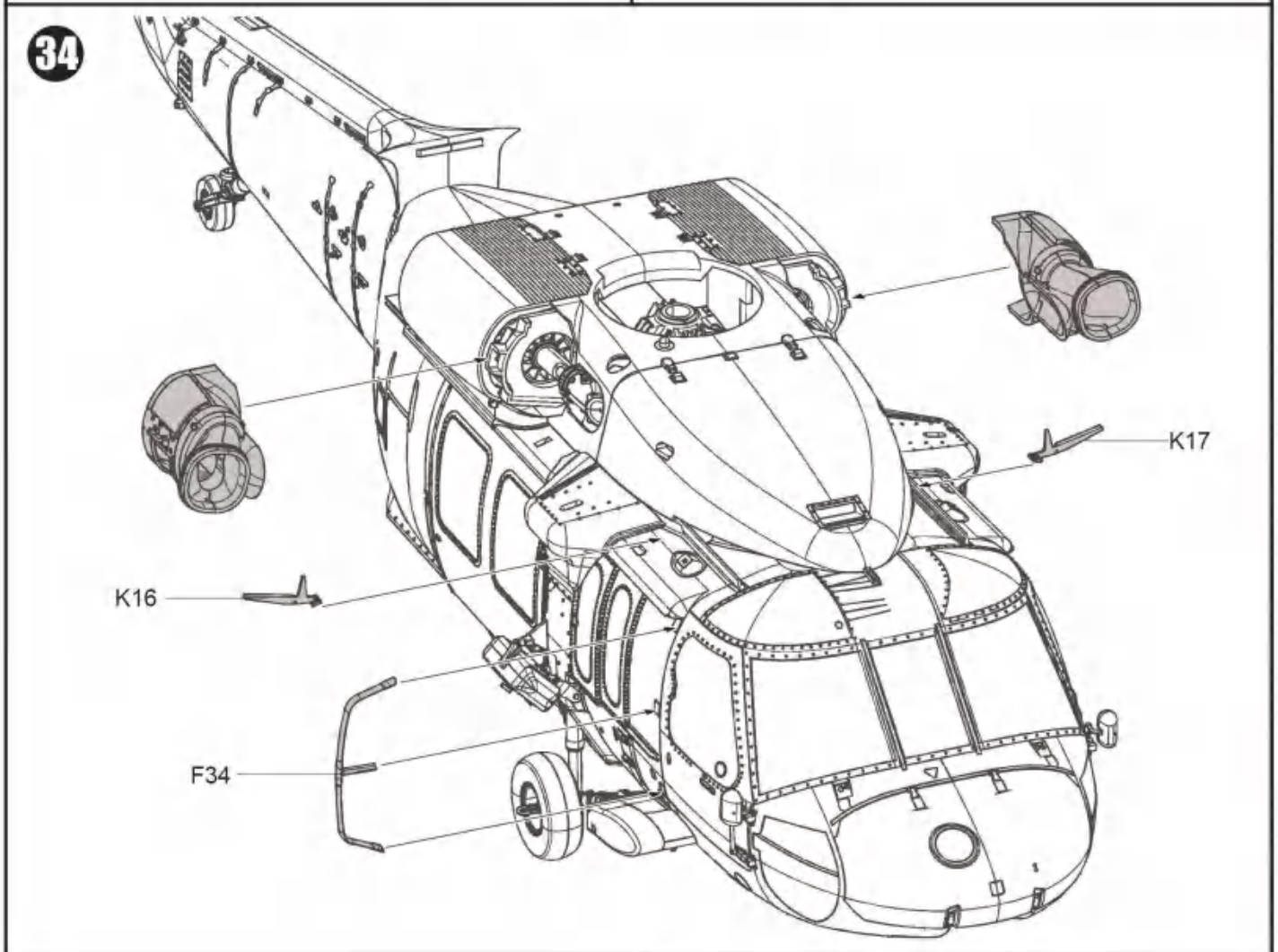
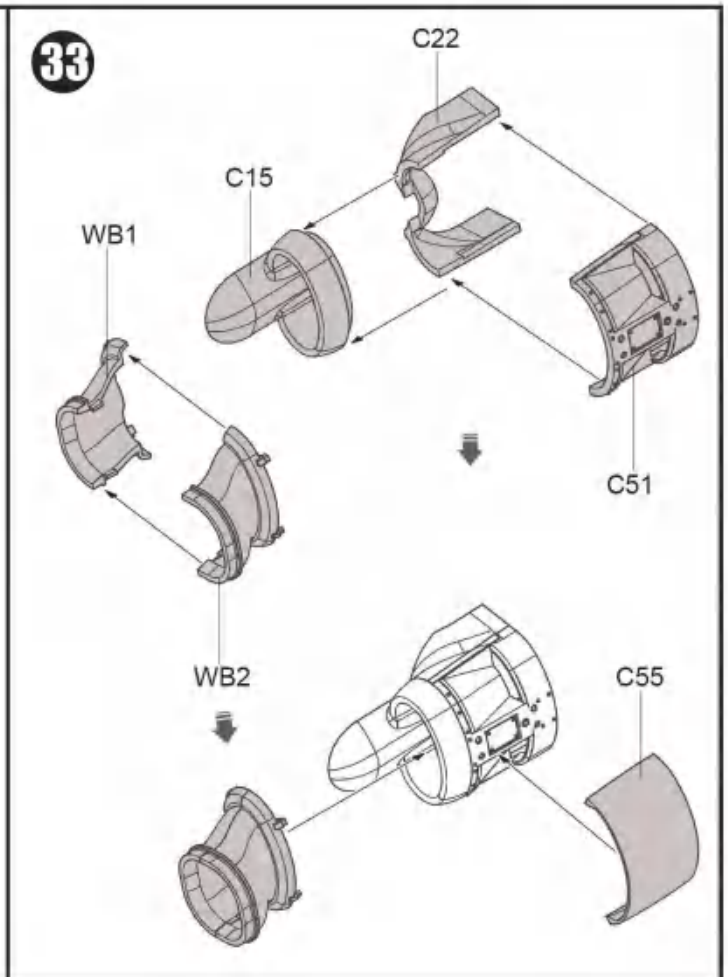
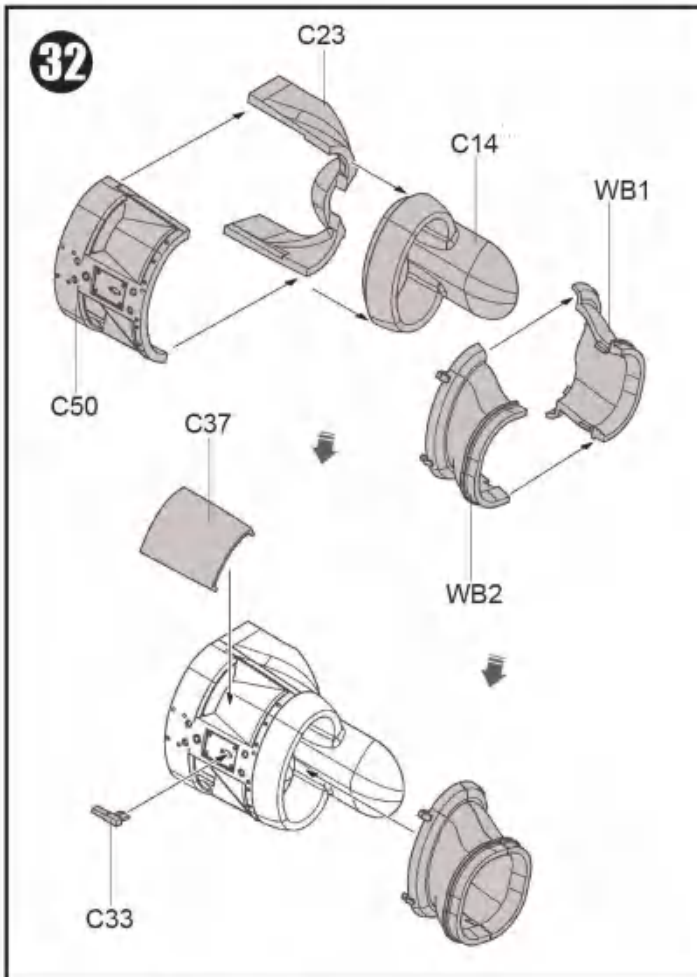
30

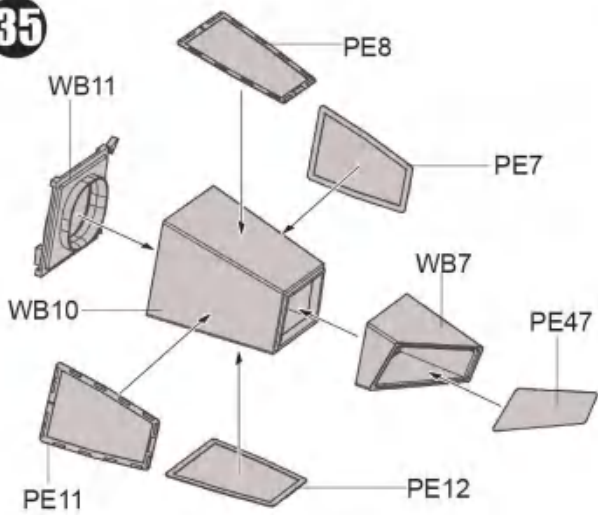
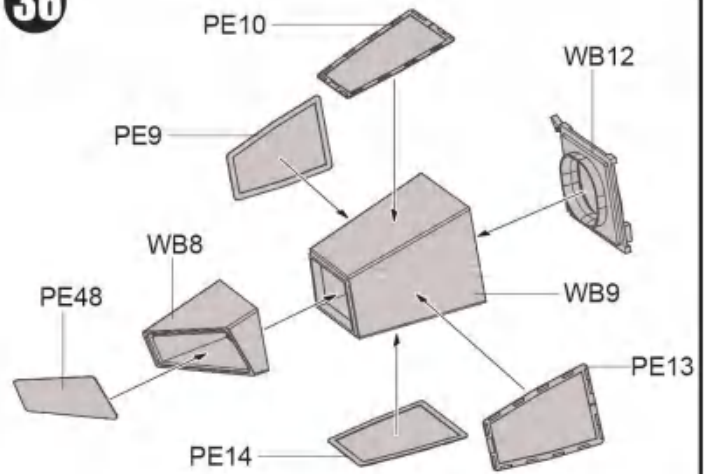
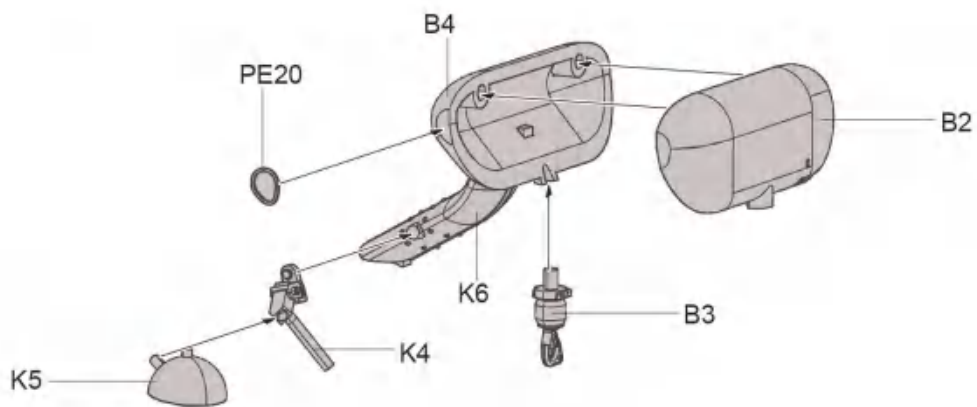
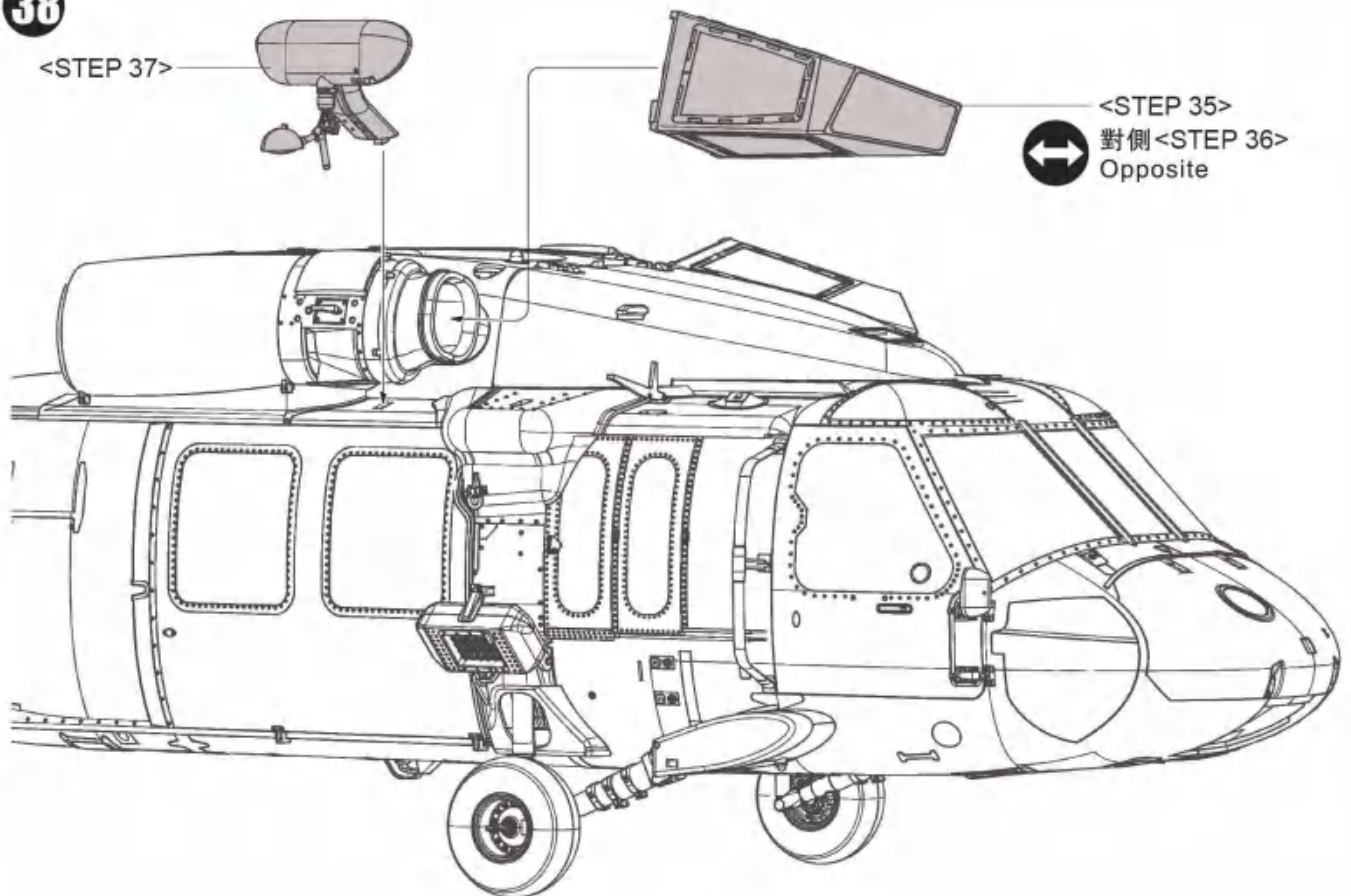


31





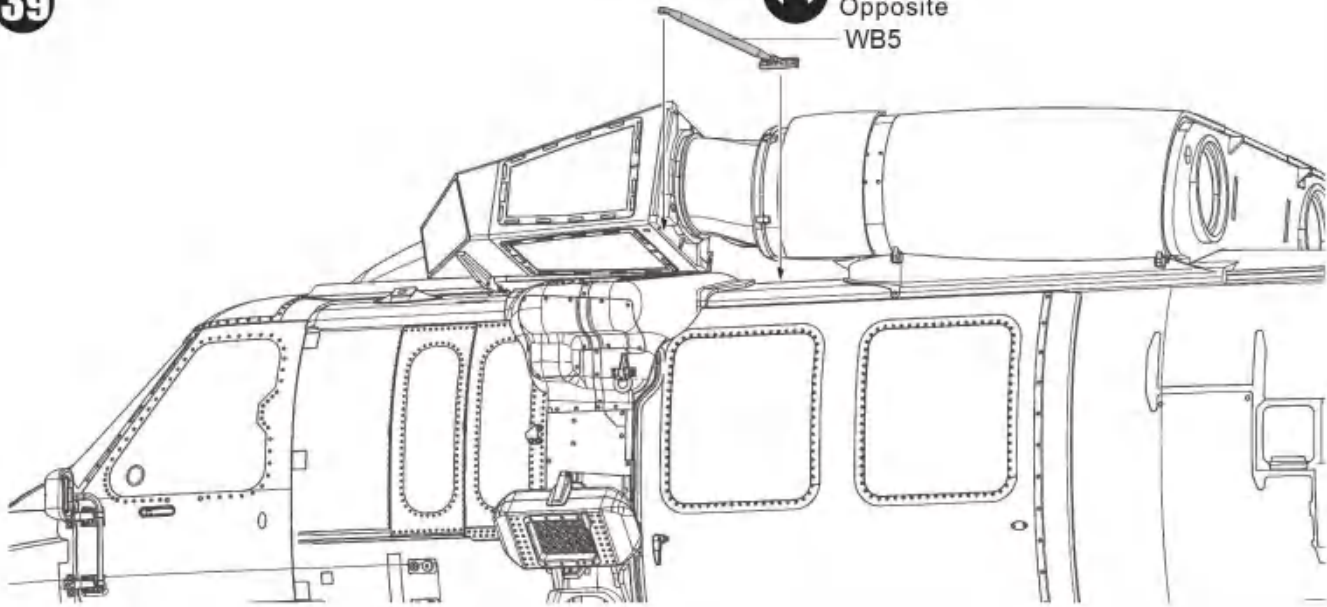


**35****36****37****38**

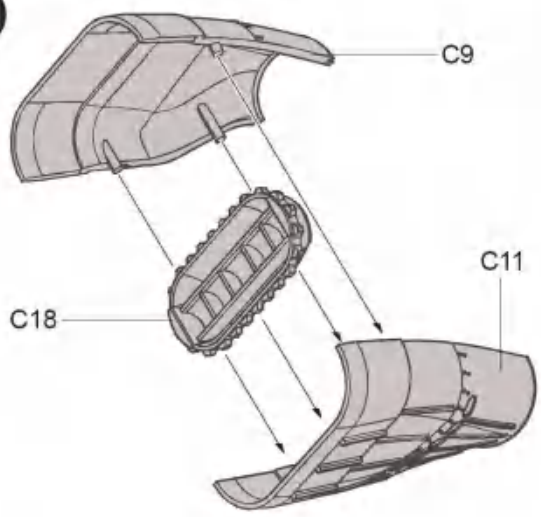


39

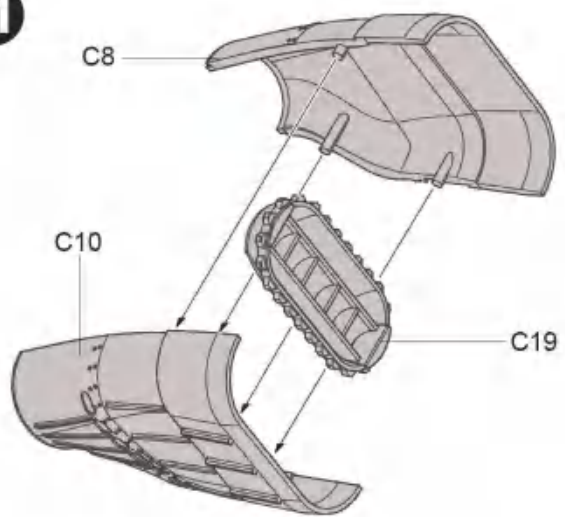
↔ 對側 WB6  
Opposite  
WB5



40

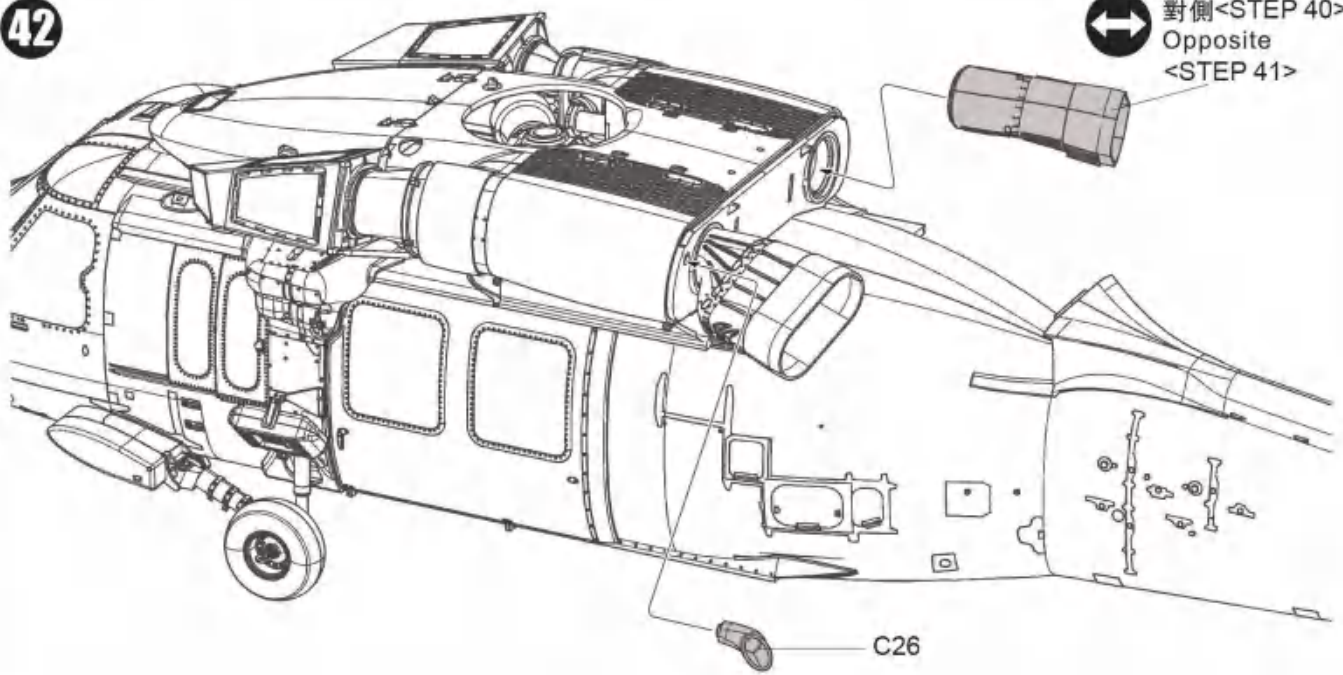


41

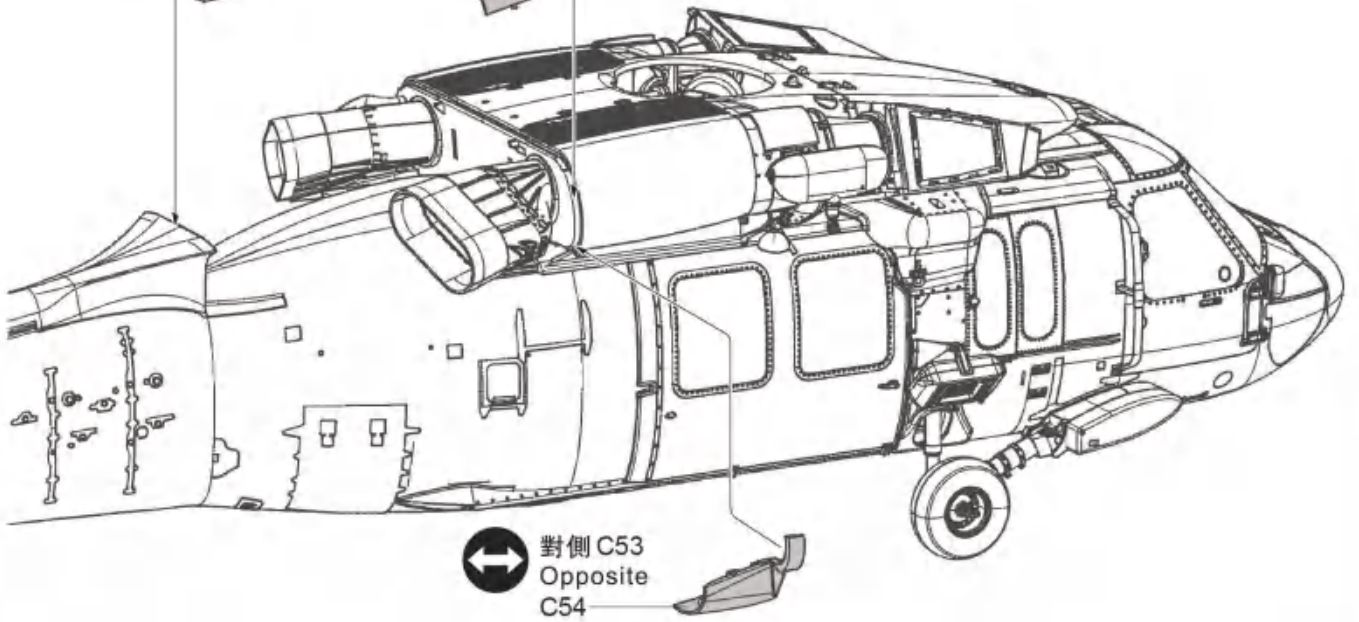
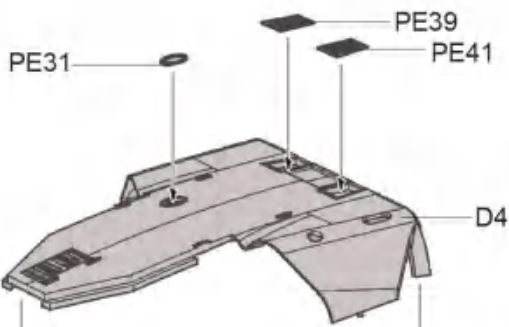


42

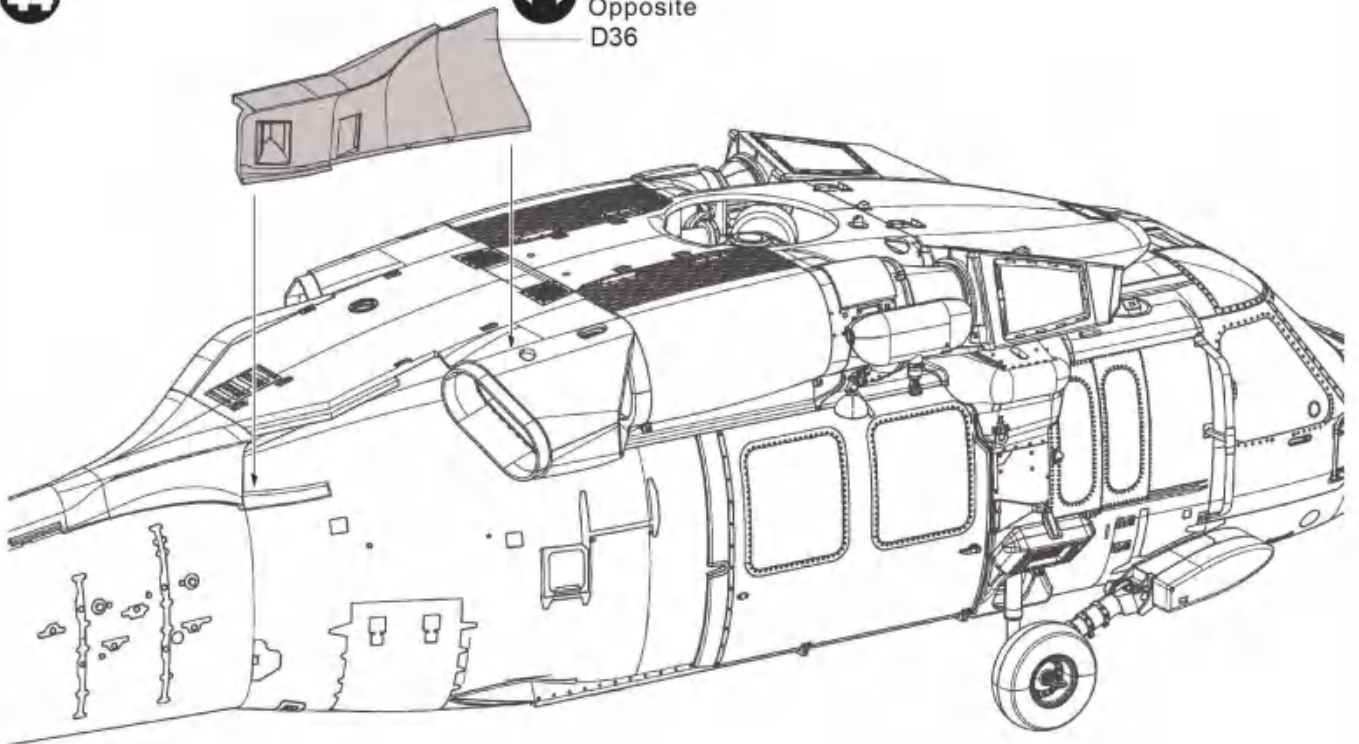
↔ 對側 <STEP 40>  
Opposite  
<STEP 41>



43



44

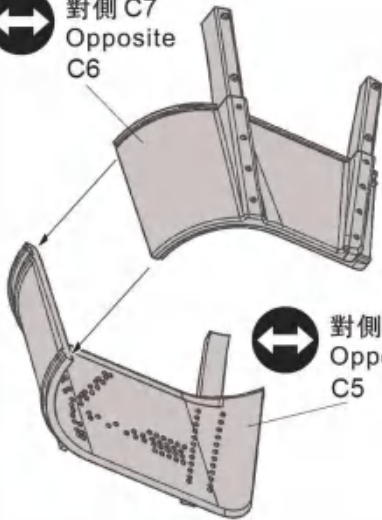




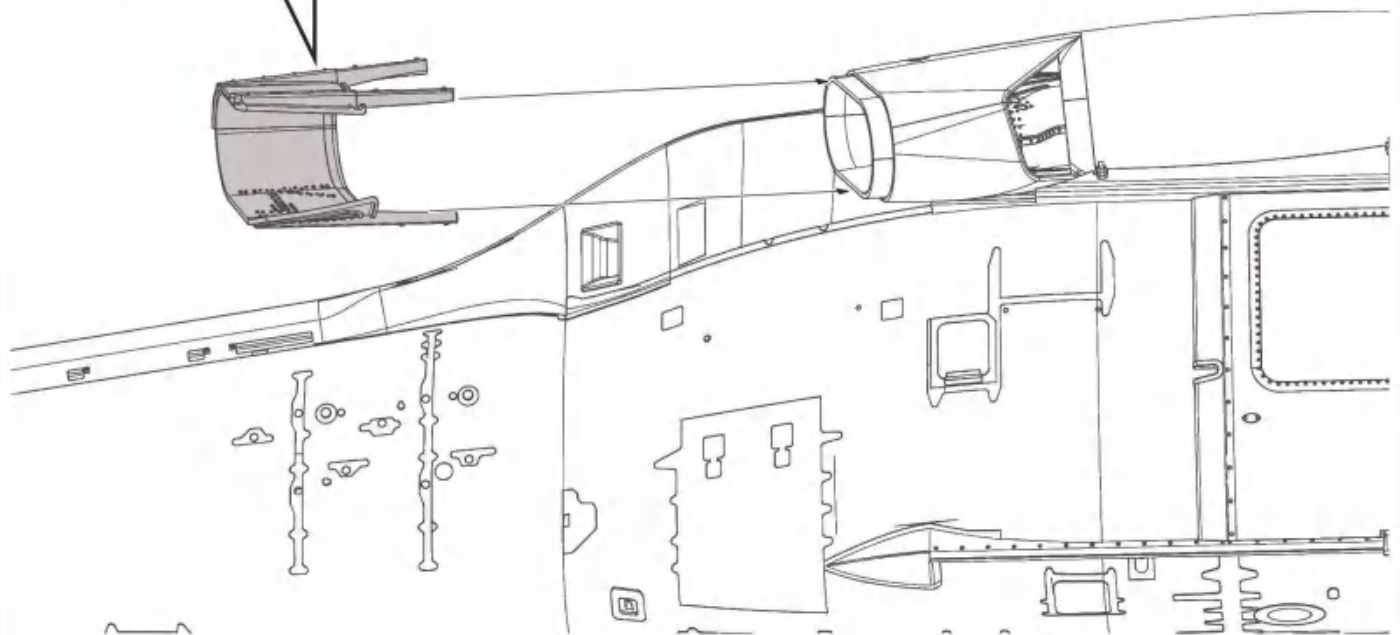
45



對側 C7  
Opposite  
C6



對側 C4  
Opposite  
C5



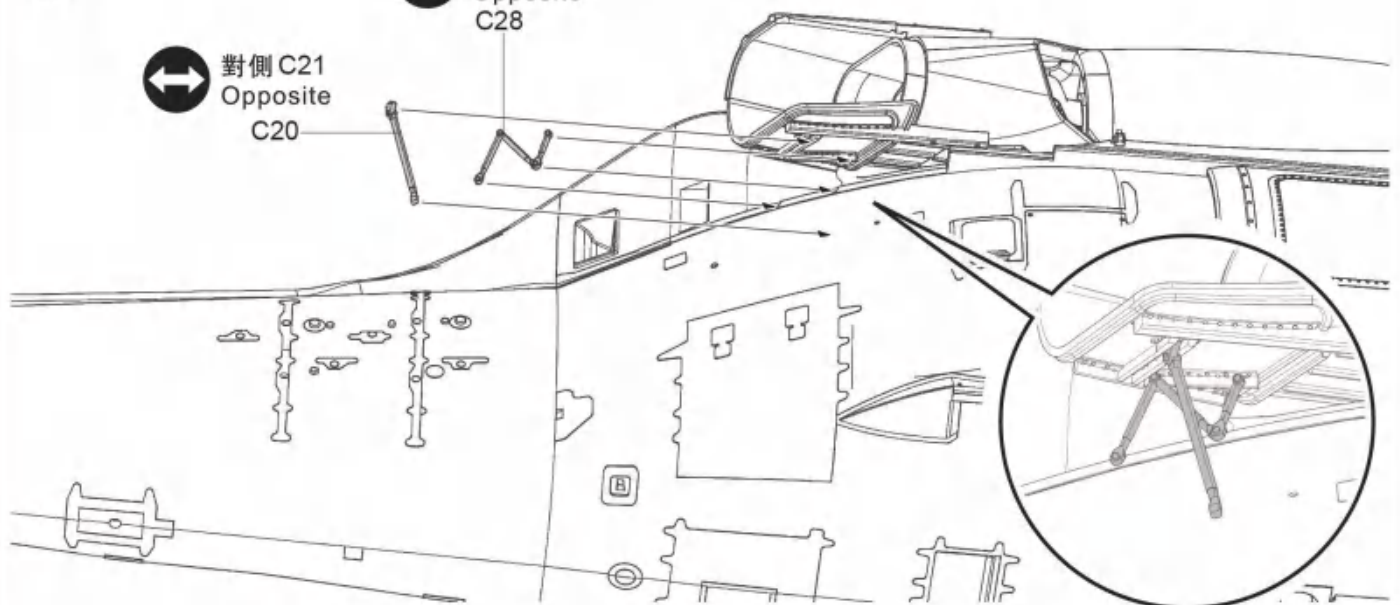
46



對側 C27  
Opposite  
C28



對側 C21  
Opposite  
C20



47

E37+PE17

G18

PE24

對側相同  
Both sides  
GP1

對側相同  
Both sides

48

H10

GP5

GP10

E4

PE26

E3

對側相同  
Both sides

49

D2

GP9

GP5

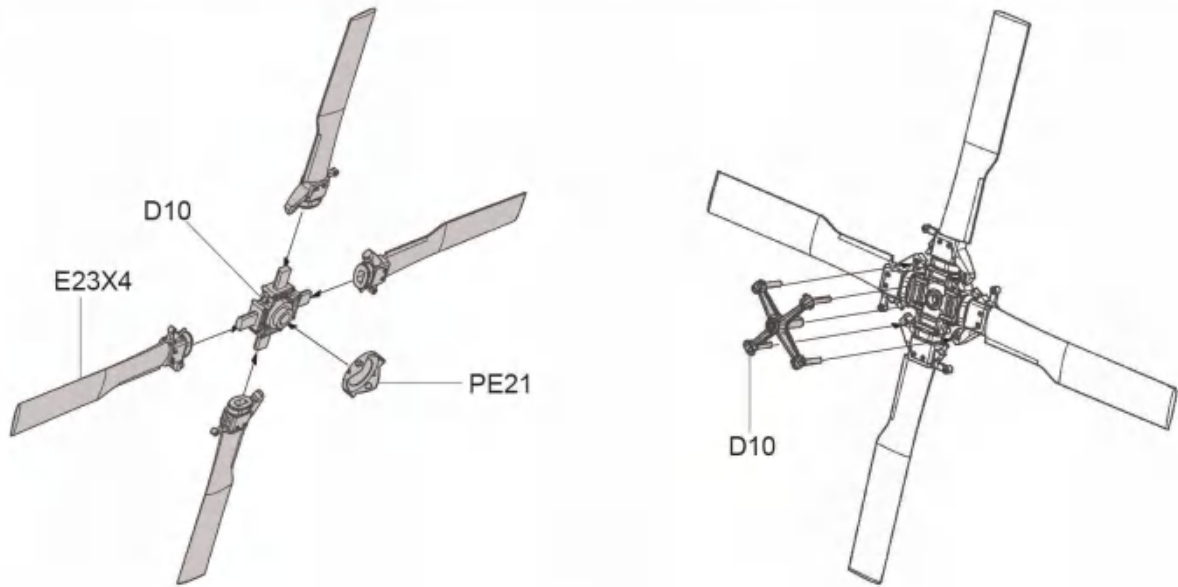
D11

GP8

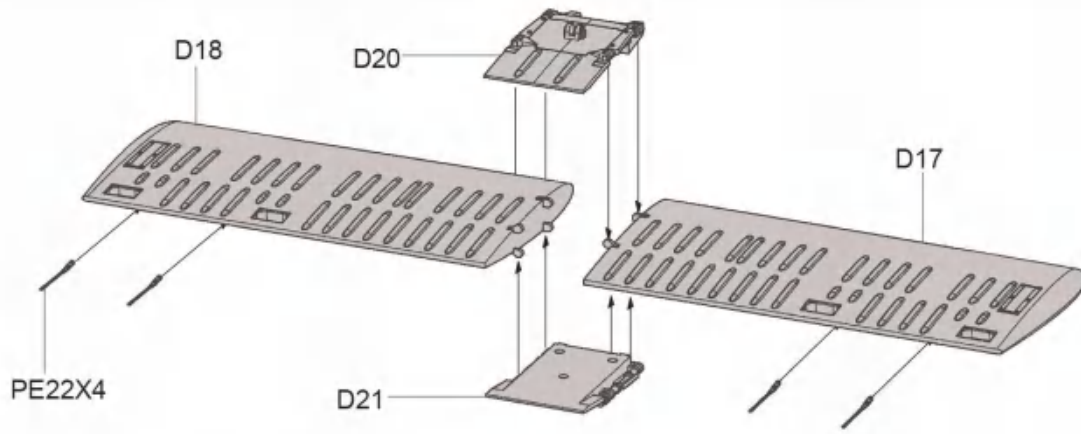
PE34



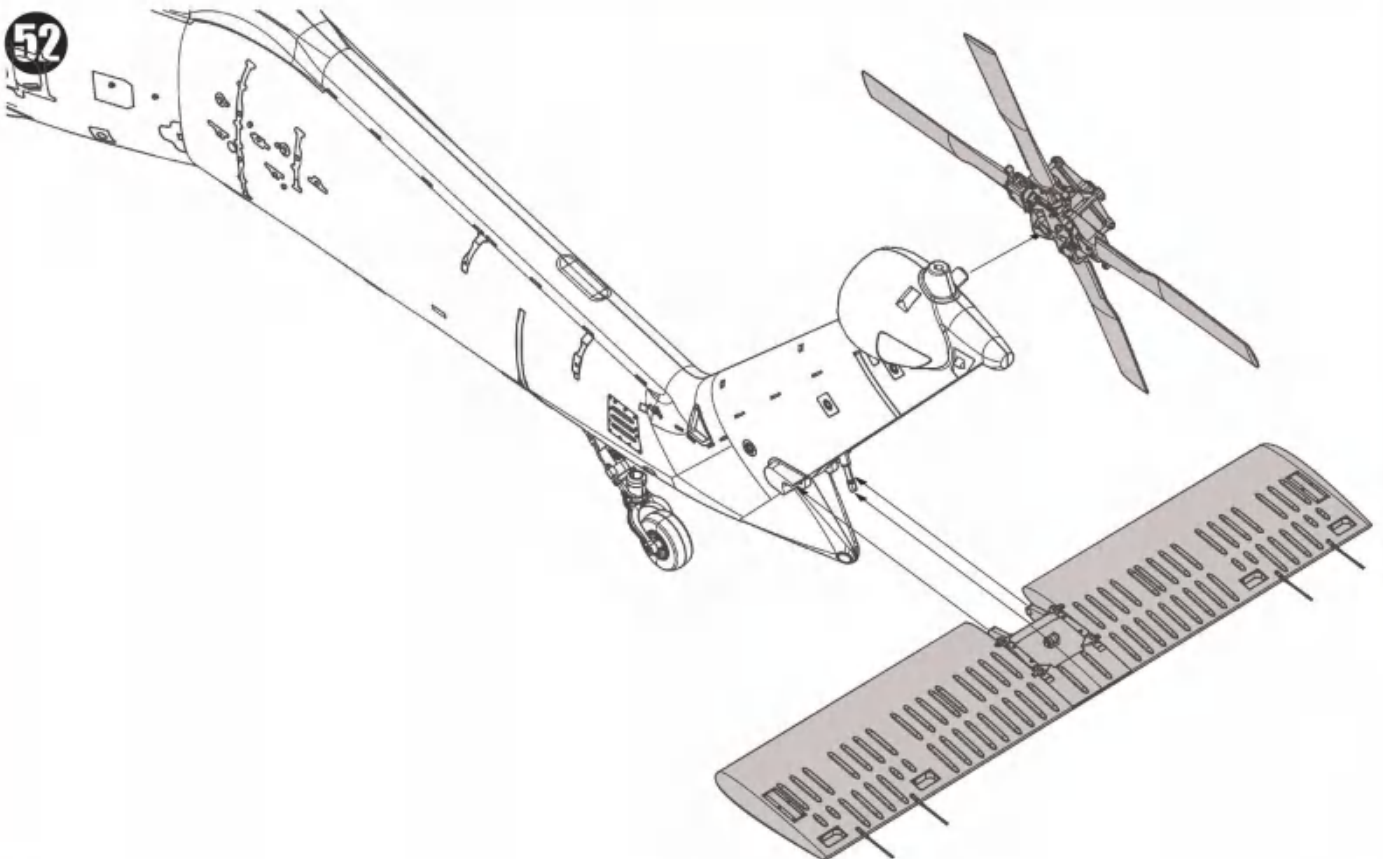
50

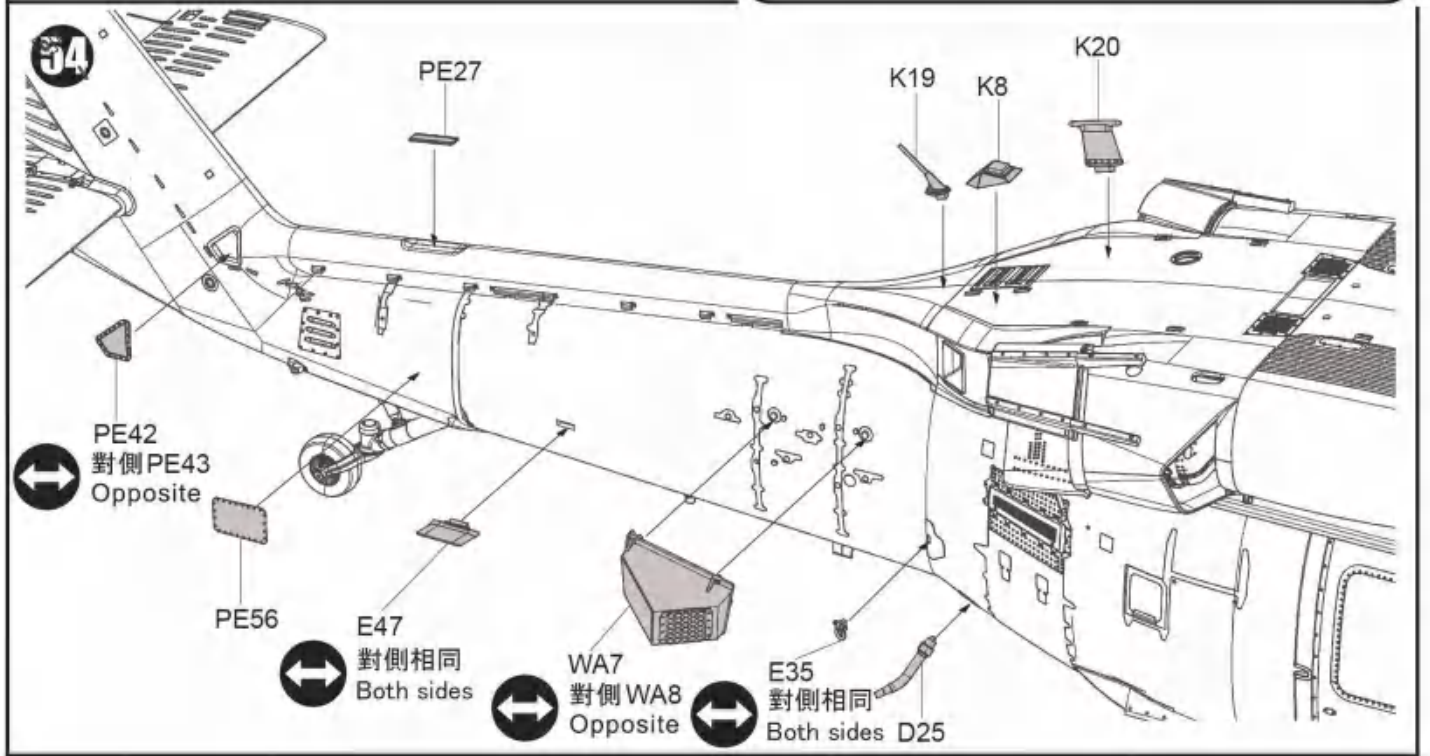
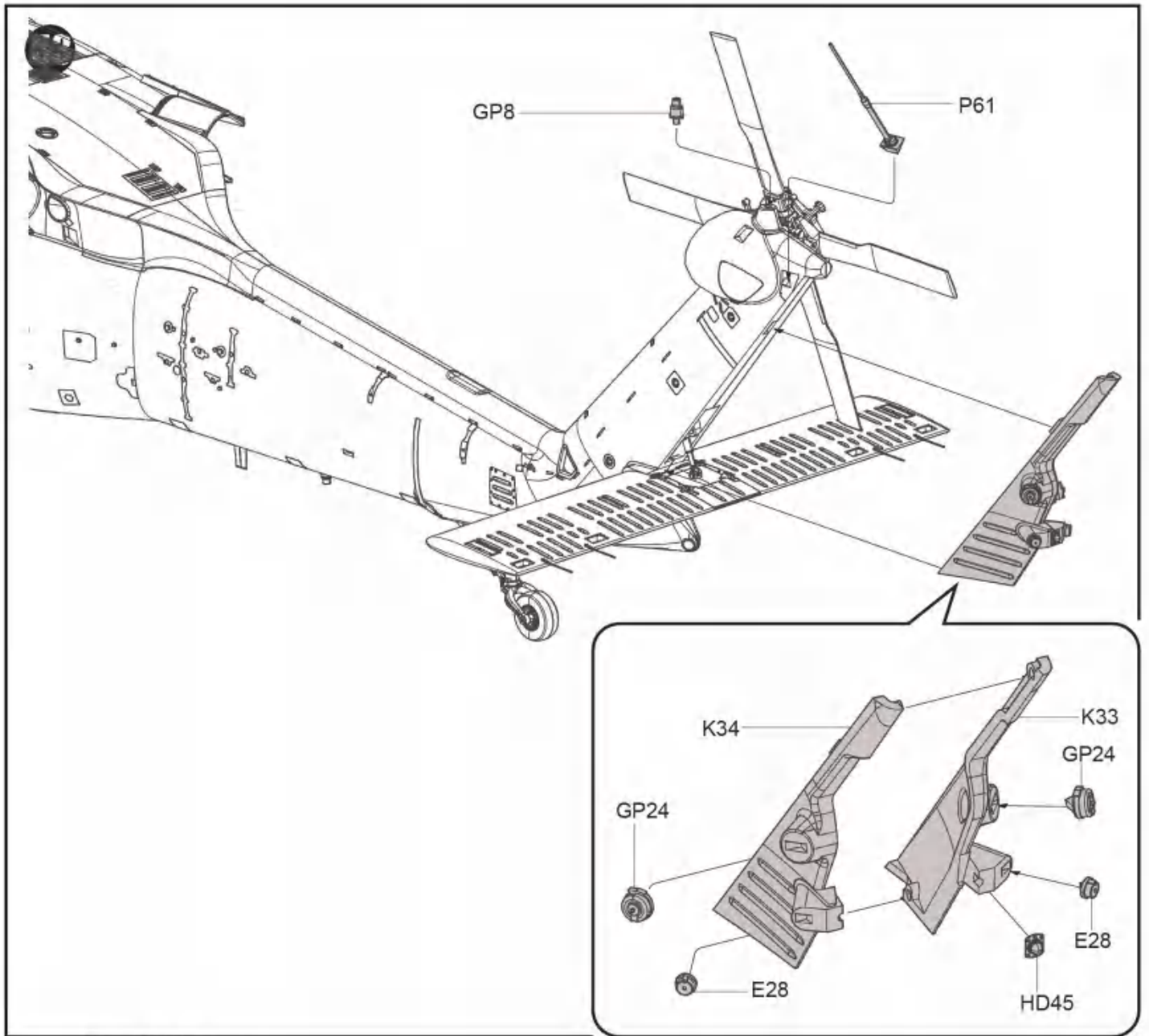


51



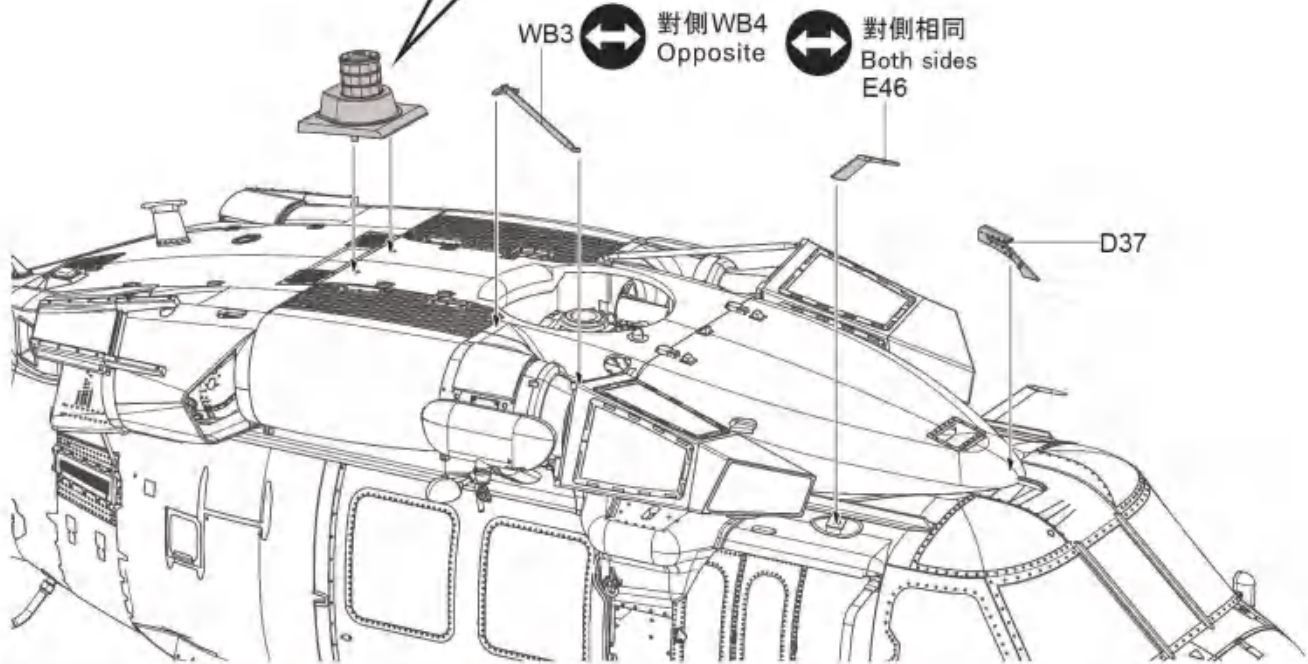
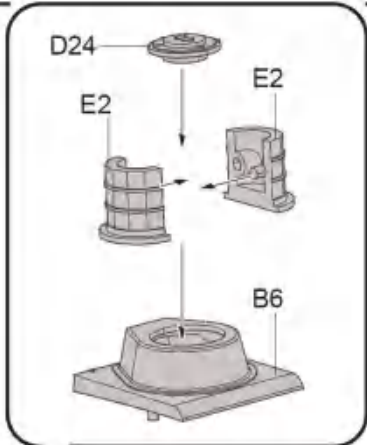
52



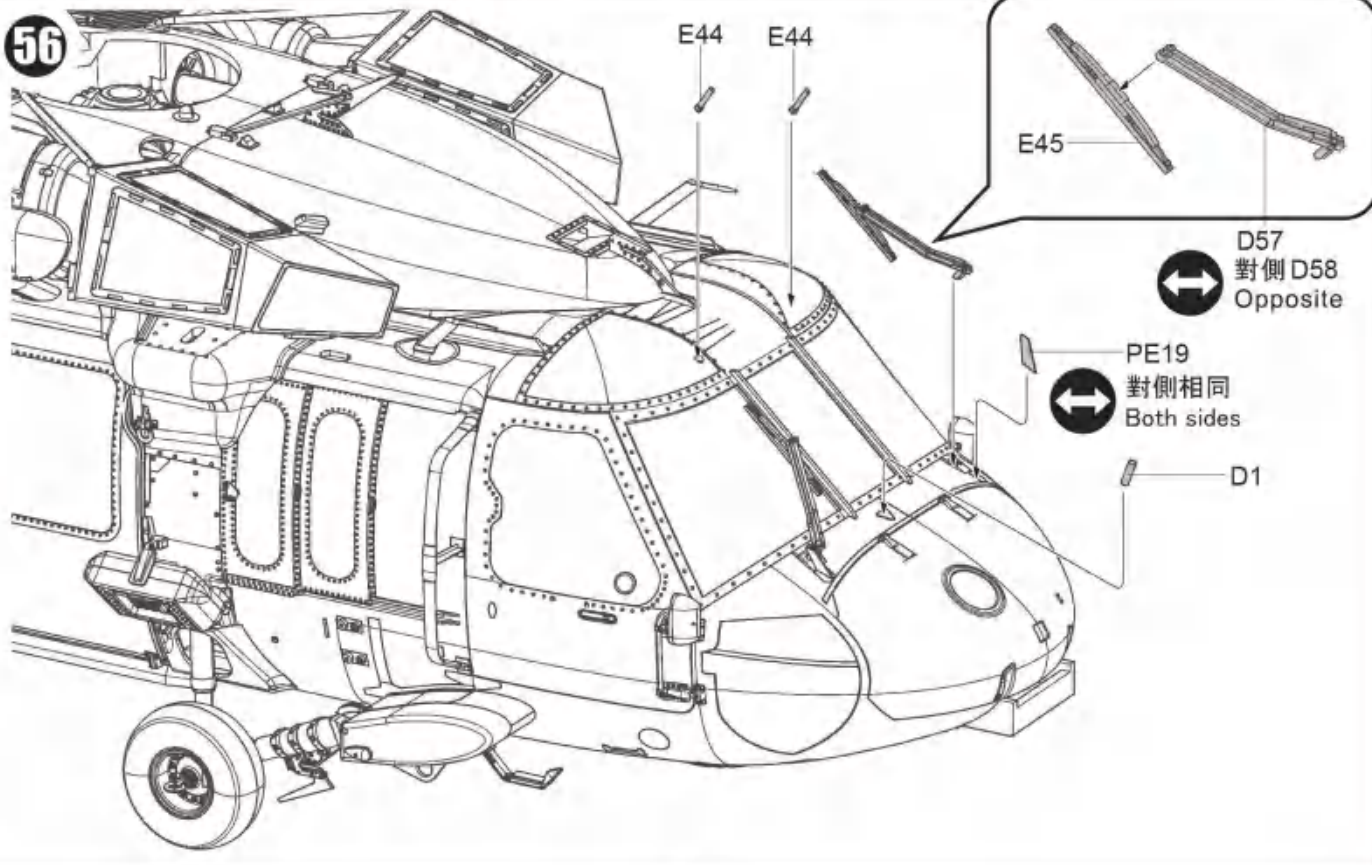
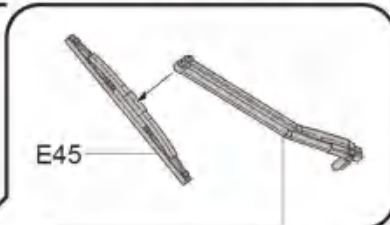


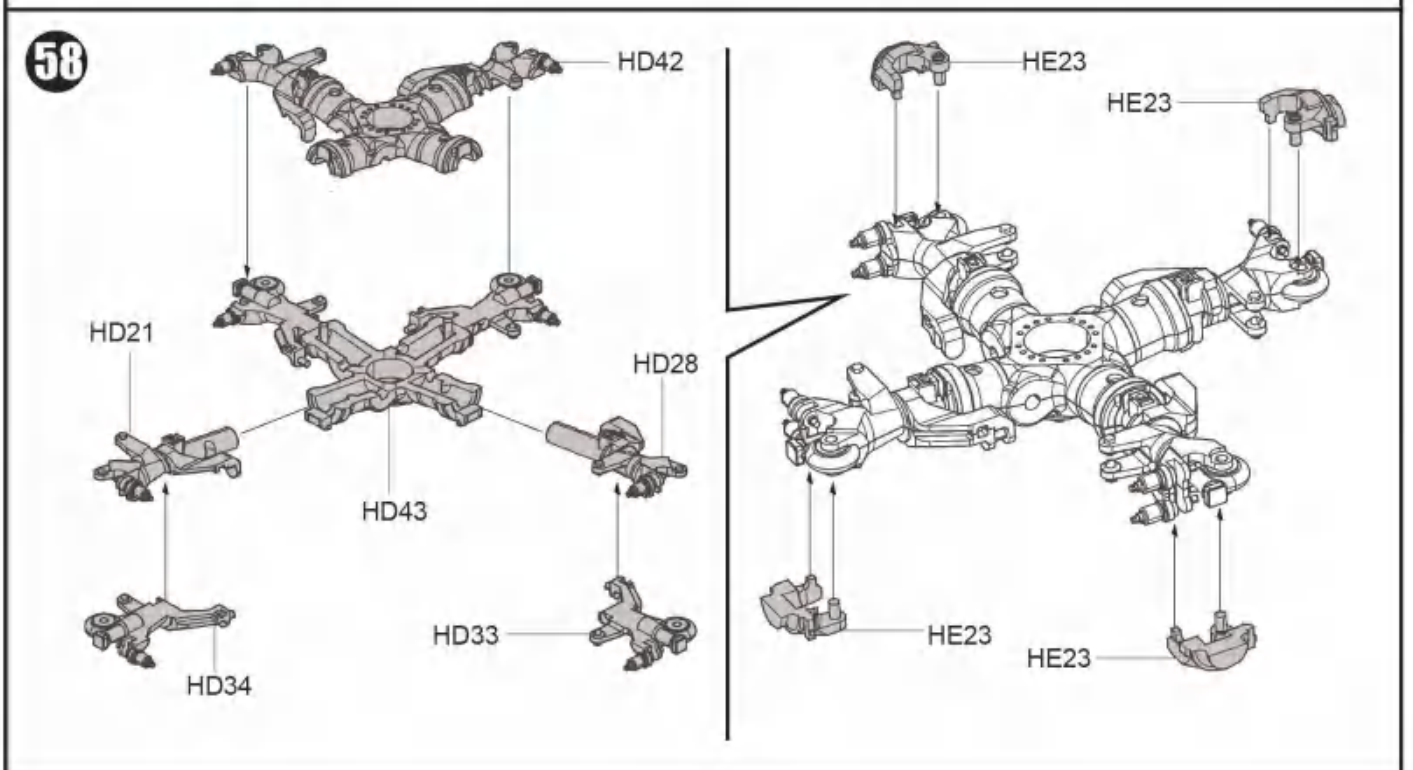
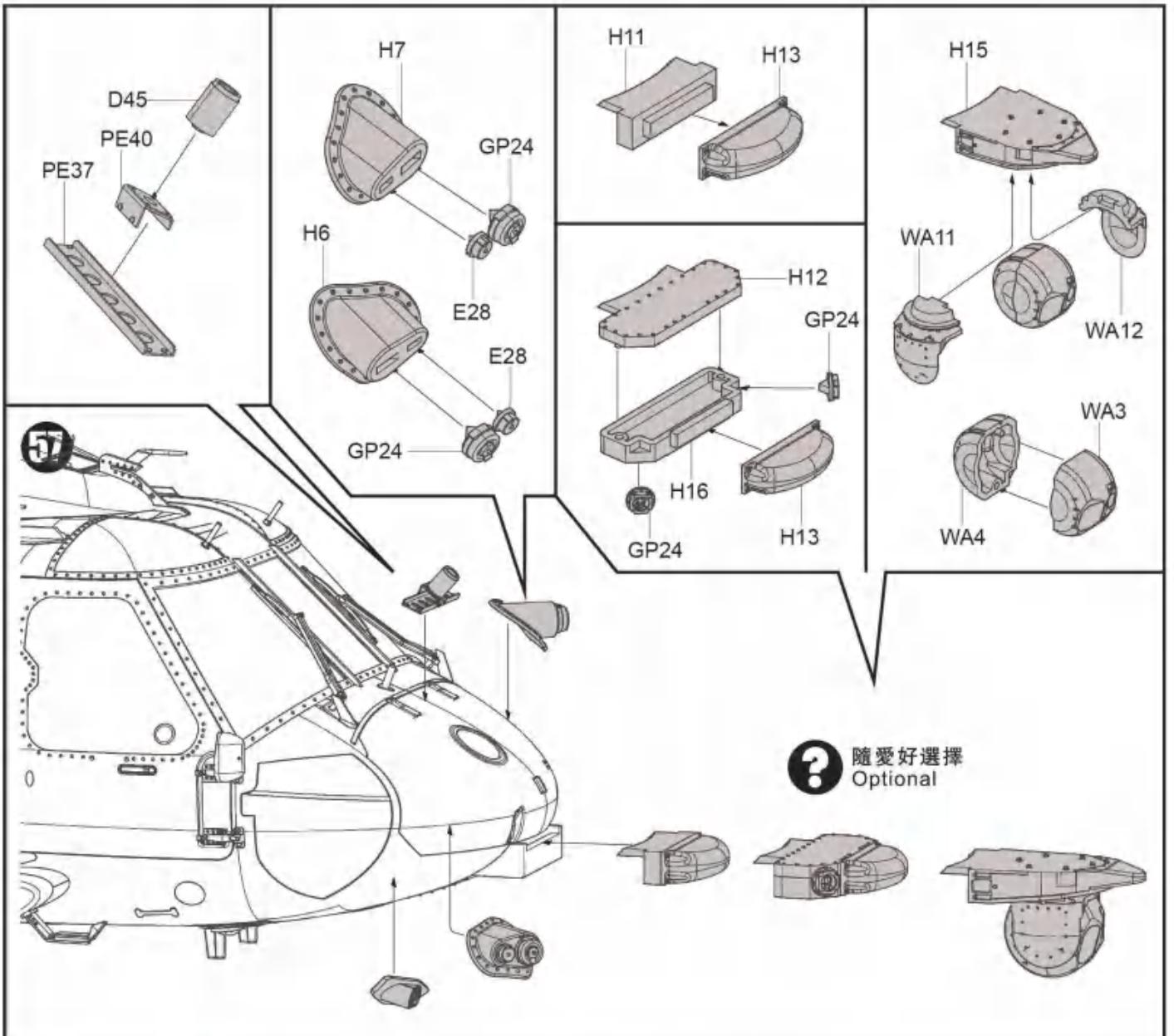


55



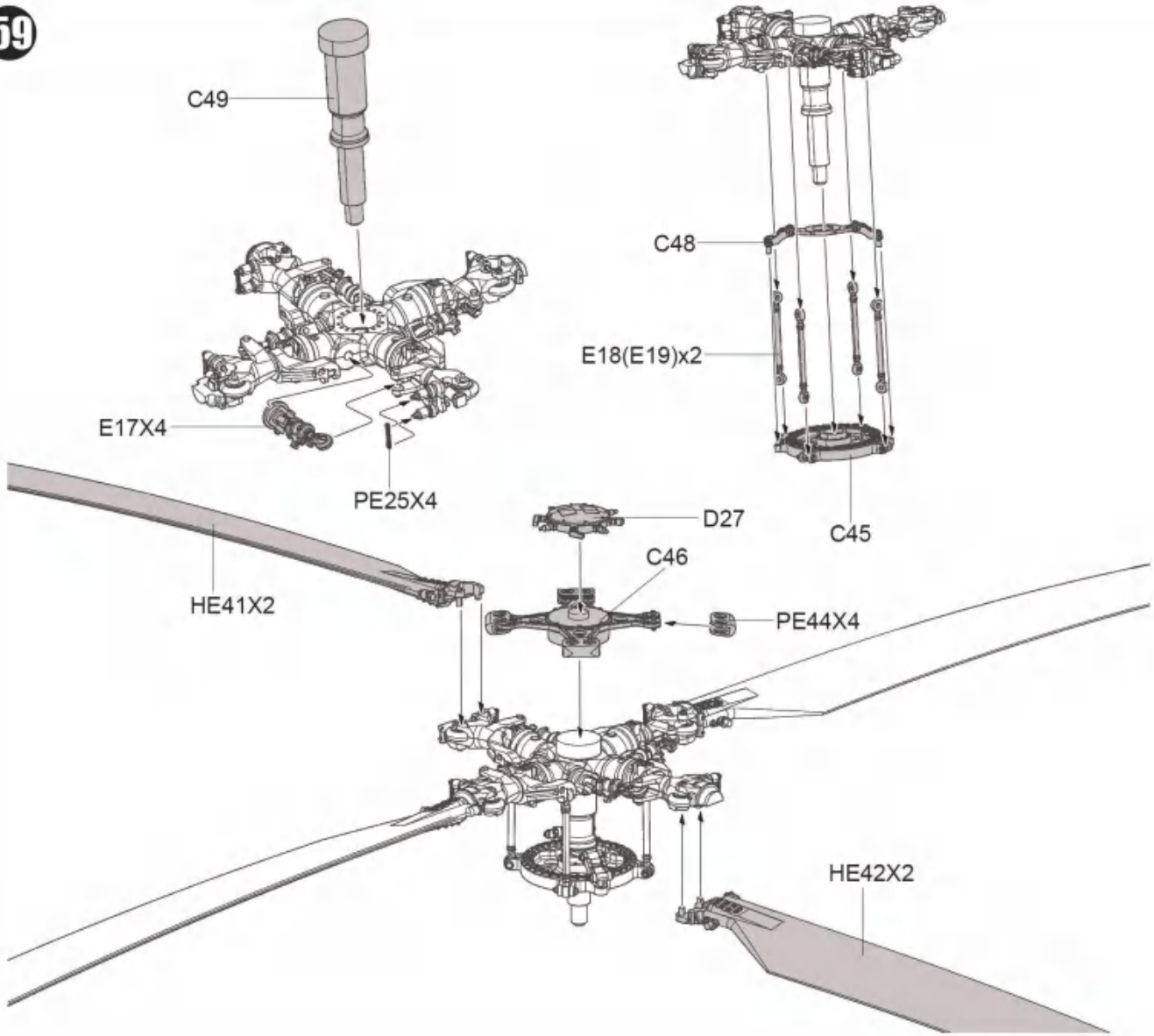
56







59

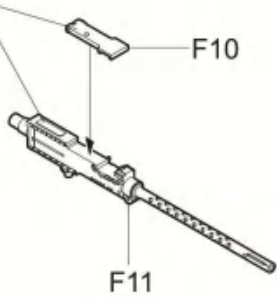


60



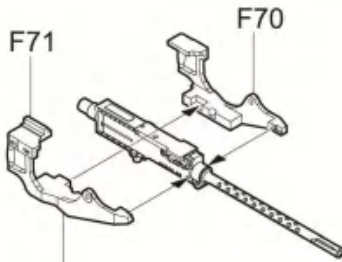


C23  
STEEL  
黑鍍色



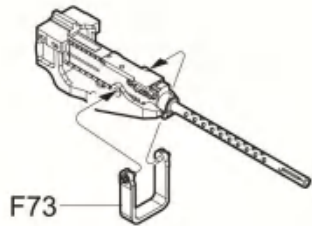
F10

F11



F71

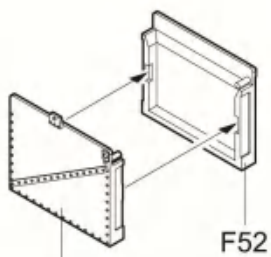
F70



F73

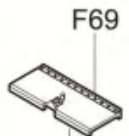


C23  
FLAT BLACK  
消光黑

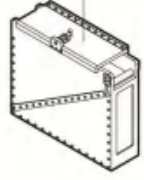
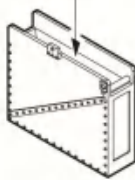


F53

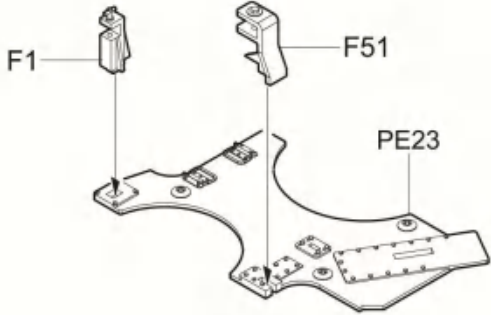
F52



F69



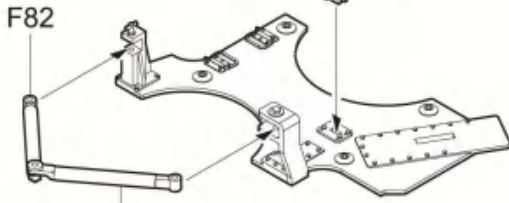
C23  
FLAT BLACK  
消光黑



F1

F51

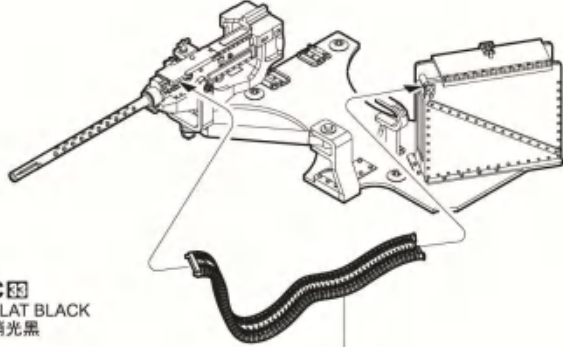
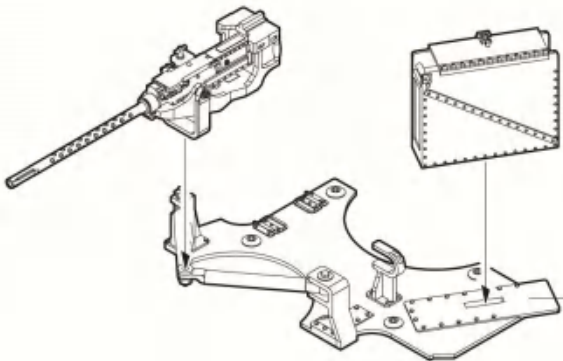
PE23



F82

F81

F75

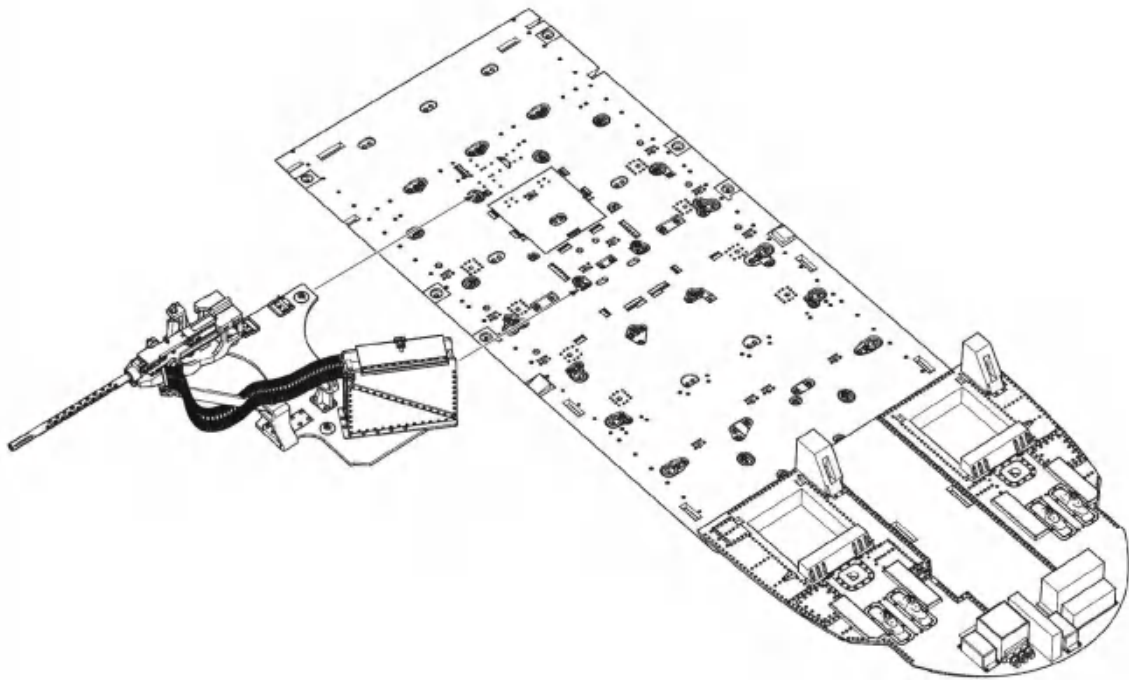
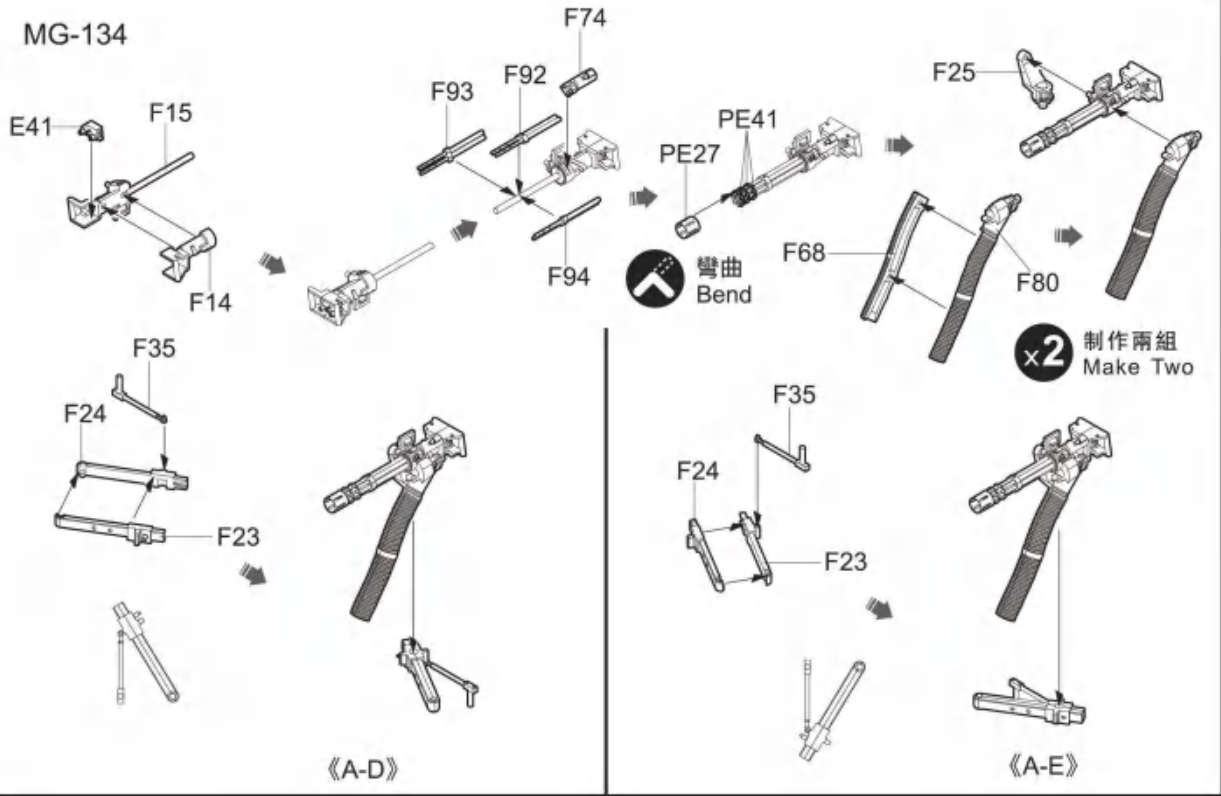


PE35

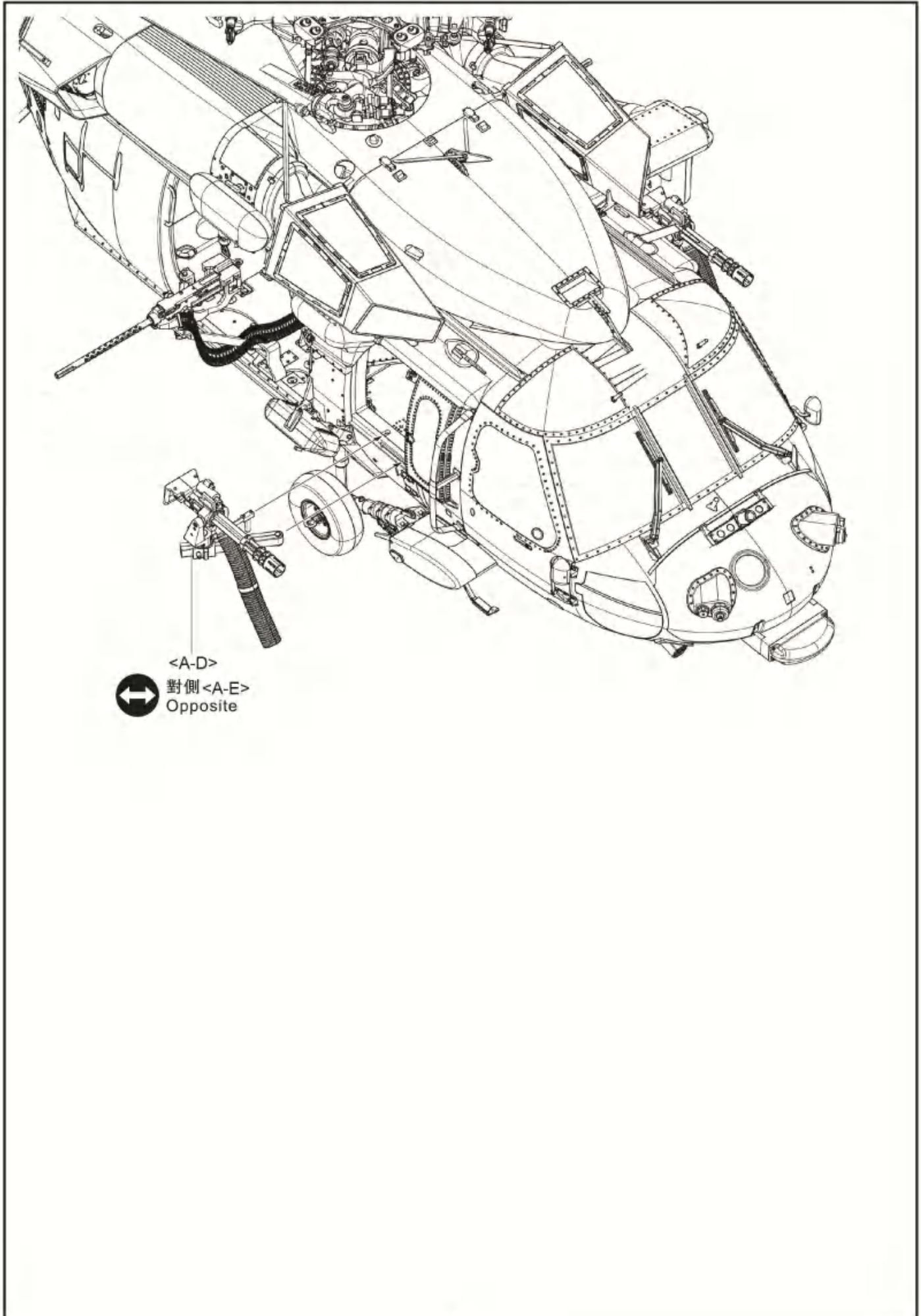


C23  
FLAT BLACK  
消光黑

MG-134





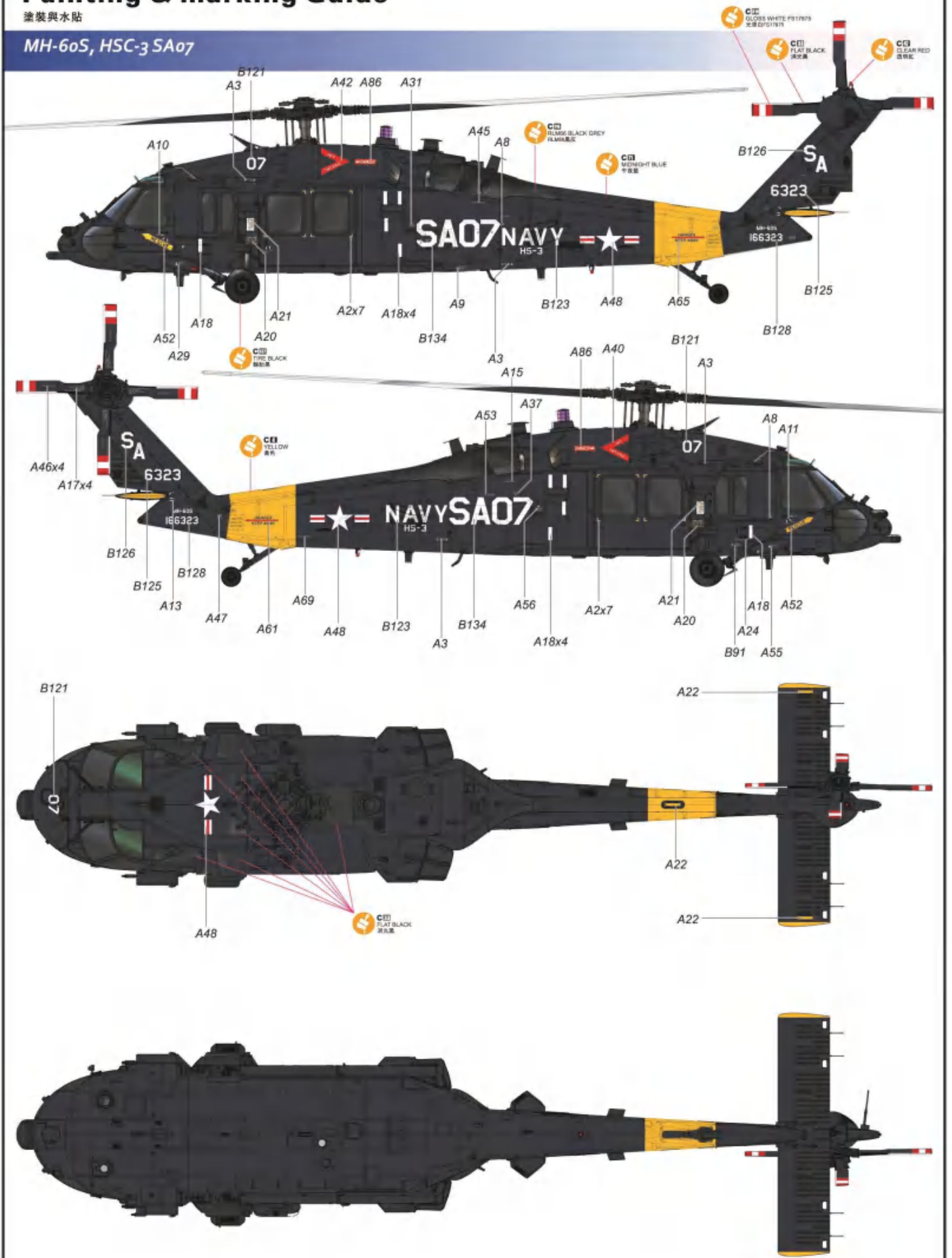


<A-D>  
對側 <A-E>  
Opposite

# Painting & marking Guide

塗裝與水貼

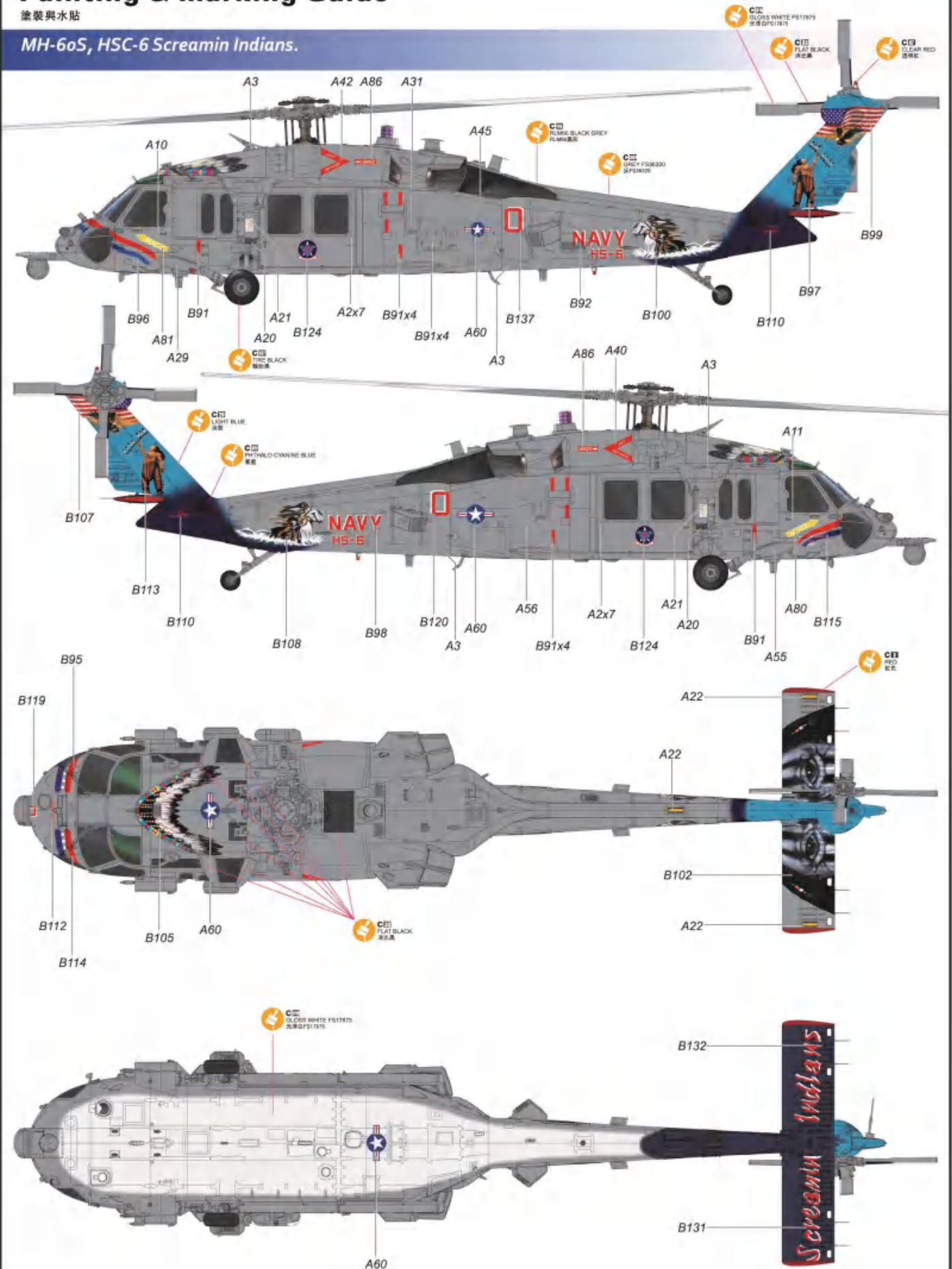
MH-60S, HSC-3 SA07



# Painting & marking Guide

塗裝與水貼

MH-60S, HSC-6 Screamin Indians.

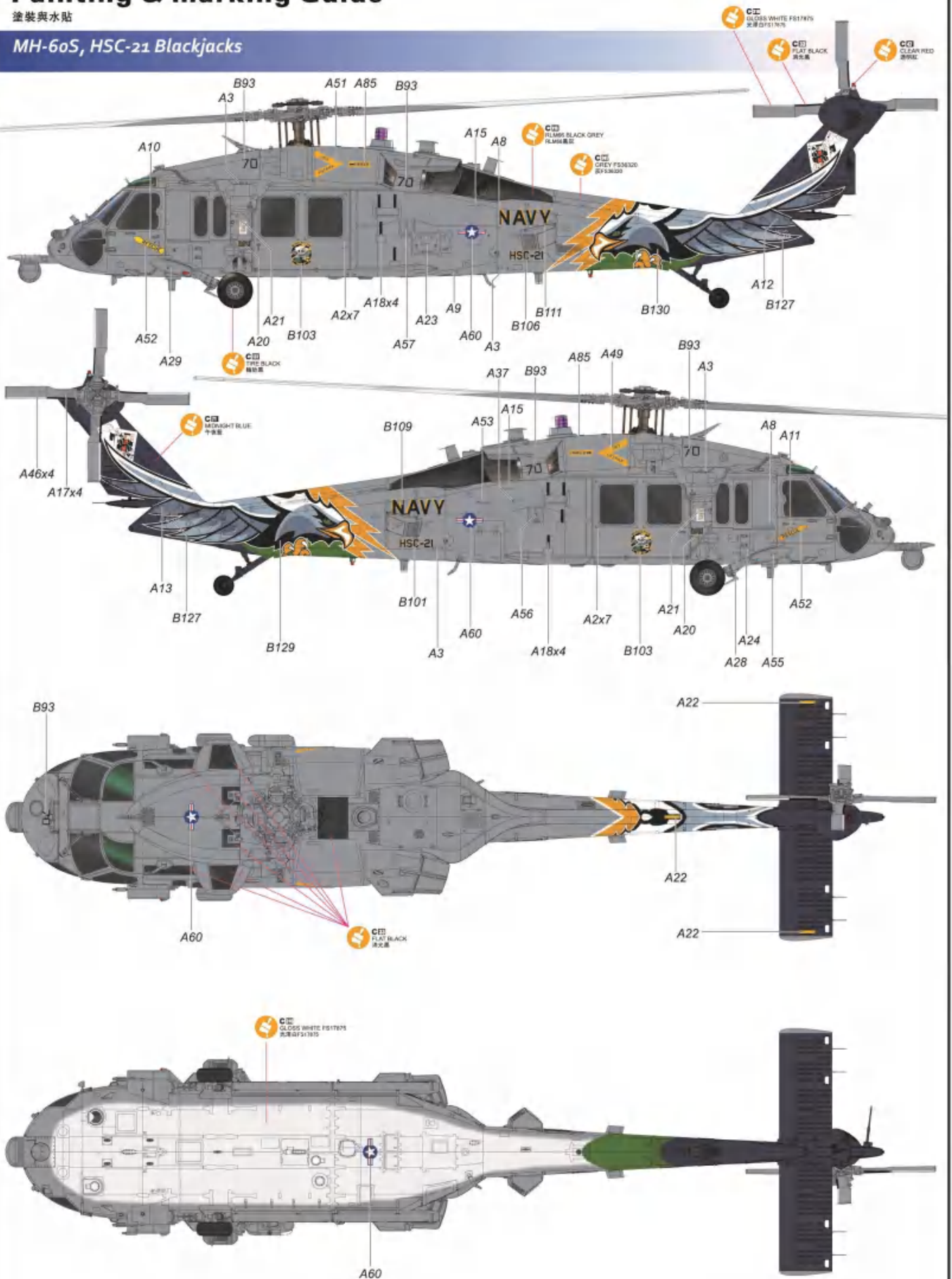




# Painting & marking Guide

塗裝與水貼

## MH-60S, HSC-21 Blackjacks



# Painting & marking Guide

塗裝與水貼

MH-60S, HSC-7 'Dusty Dogs'

