



**1:32**

# **T-6 Texan**



**Instruction**

ITEM NO. ZM32001R

# READ BEFORE ASSEMBLY

在組合您的模型之前，請充分閱讀本冊說明書。組合模型您需要如下物品（需另購）：模型膠水；一把模型鉗或一把用于將零件從框架上切下的模型筆刀。筆刀同樣可以用來修整零件的合模綫。祝您制作愉快！

Before assembling your model kit, read through these instructions carefully. To assemble this kit, you will need Plastic glue (not include). A pair of side cutter or a sharp modelling knife is required for removing parts from the frame. Plastic mould lines can be removed with the modelling knife.



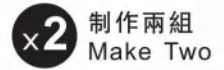
塗色  
Painting



隨愛好選擇  
Optional



組合完成  
Finished Assembly



制作兩組  
Make Two

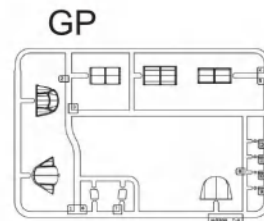
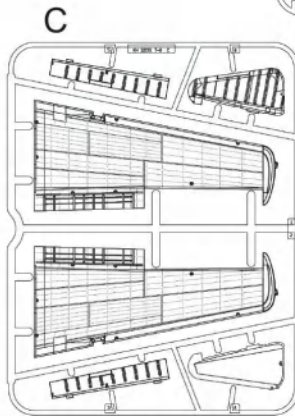
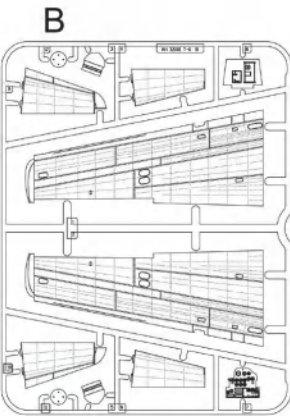
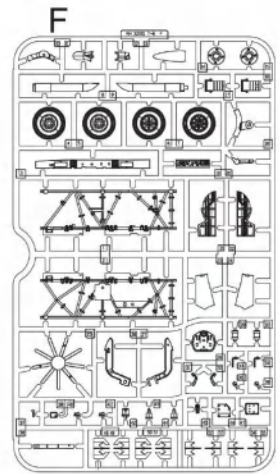
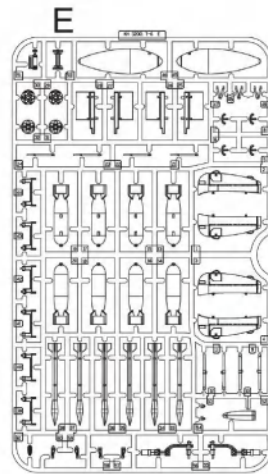
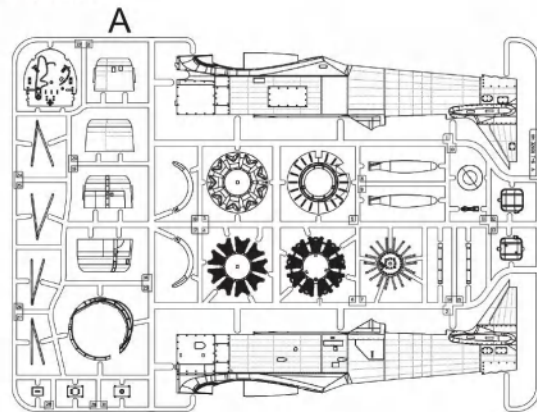


切除  
Cut

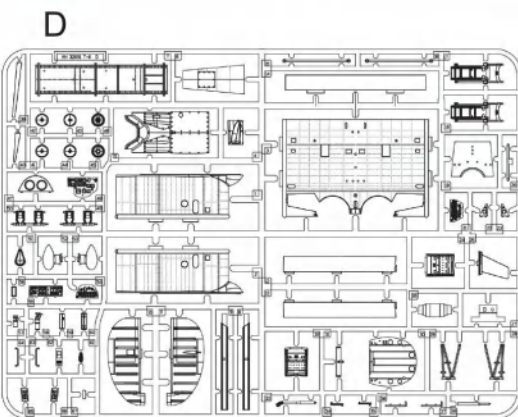


對側  
Opposite

## 部品图 Parts

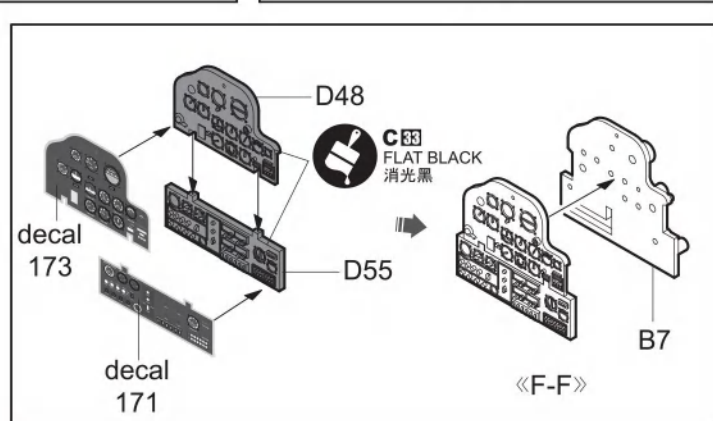
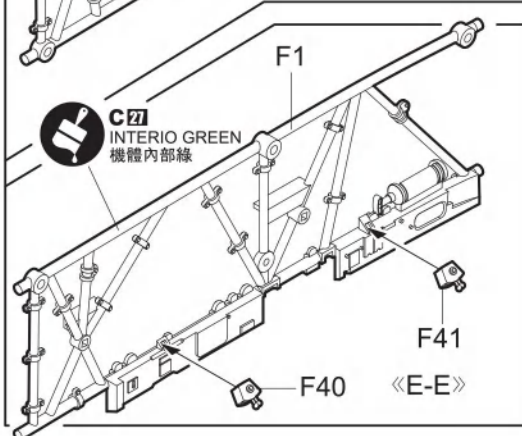
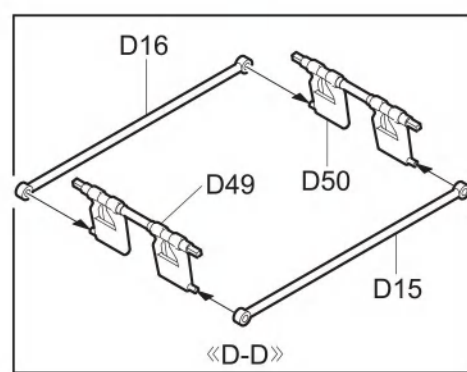
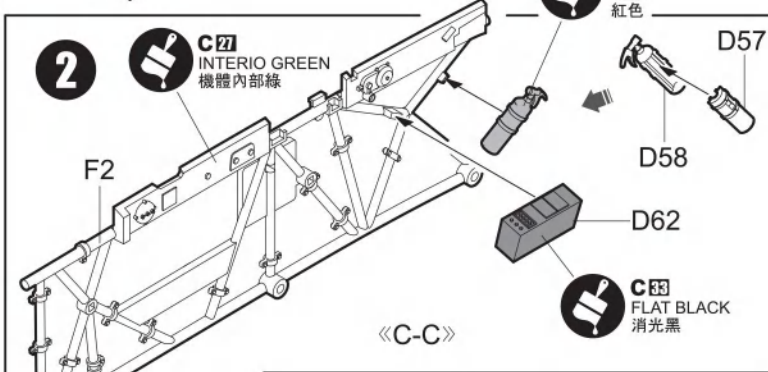
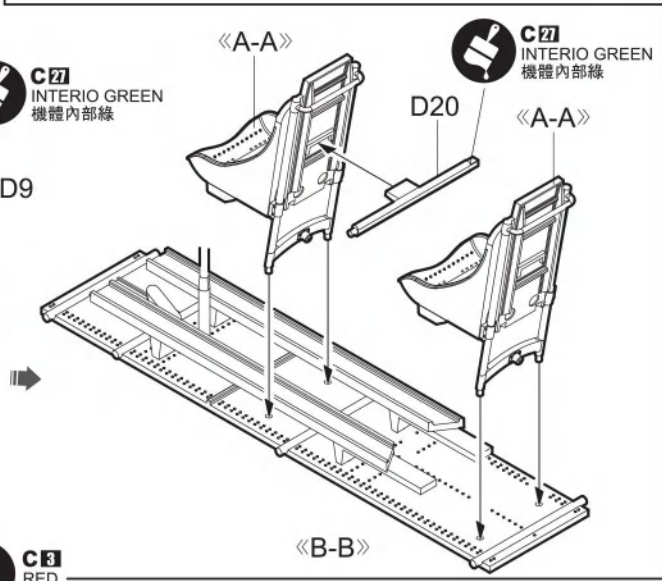
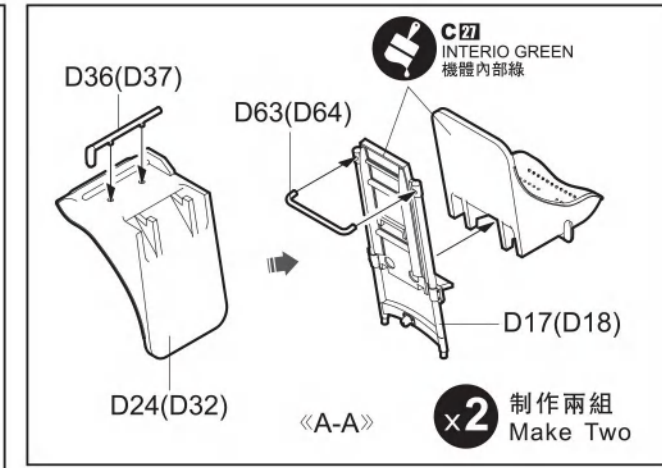
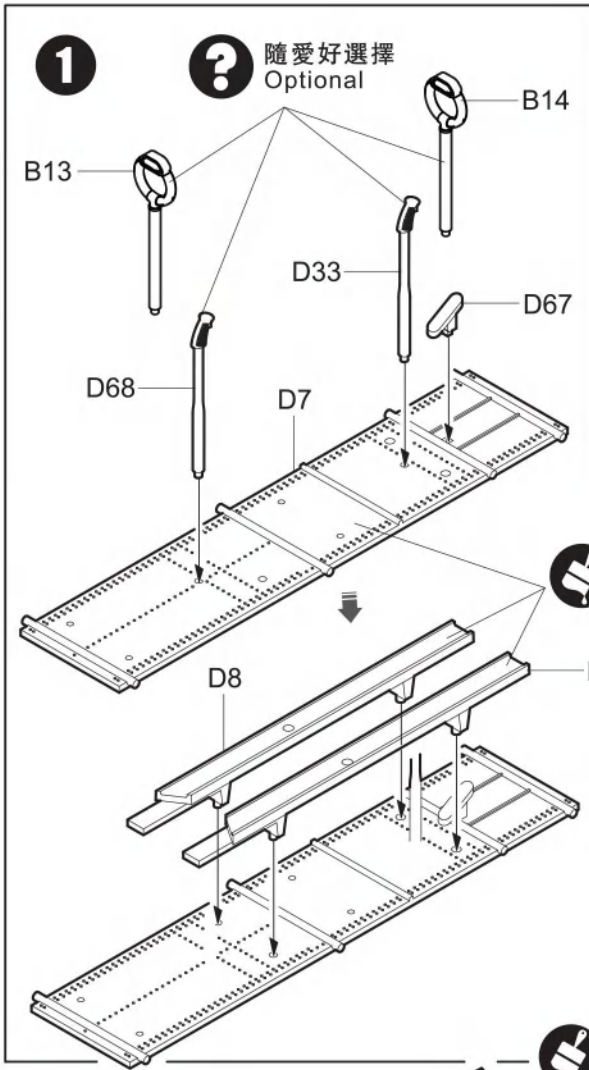


蝕刻片  
PE

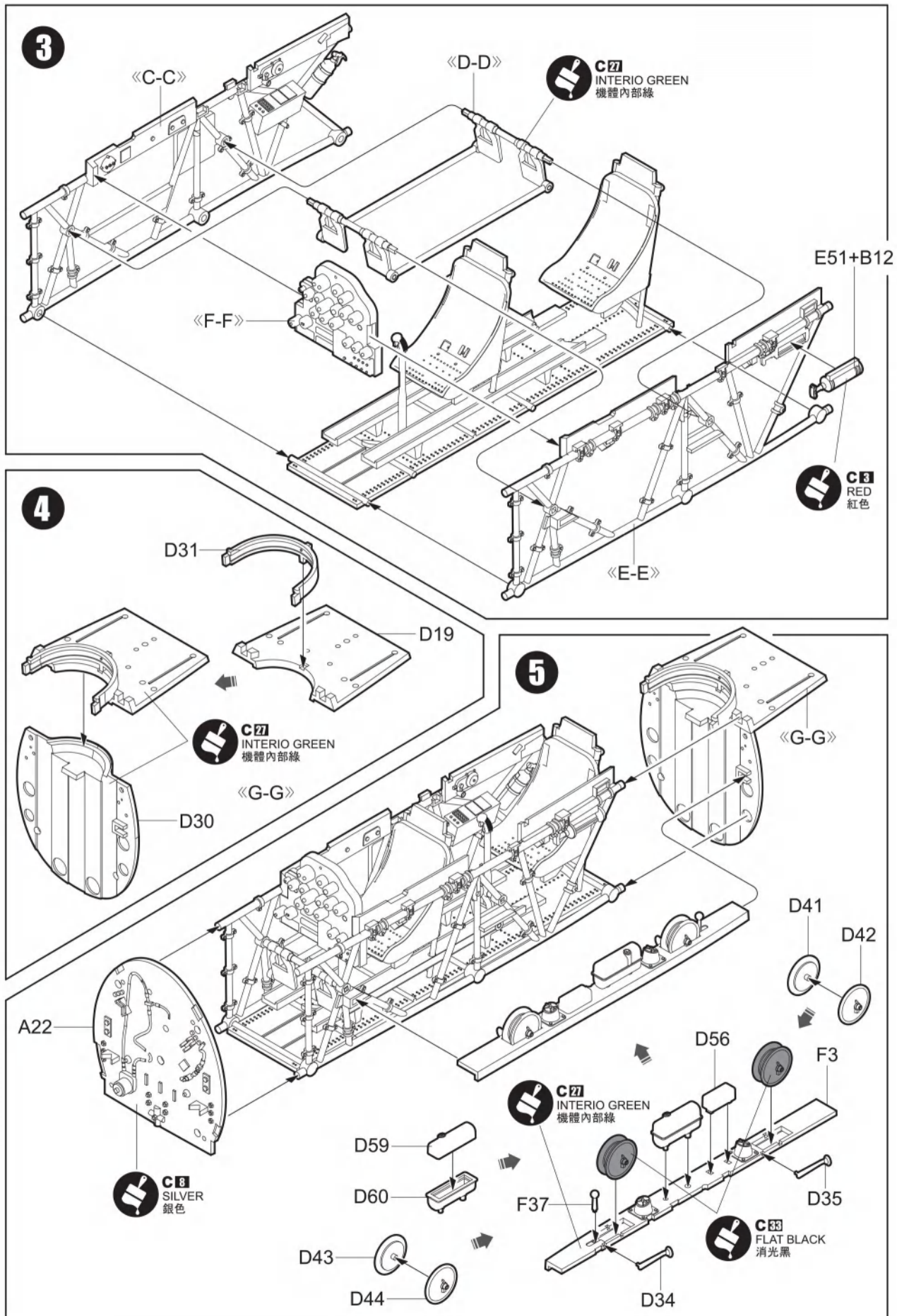


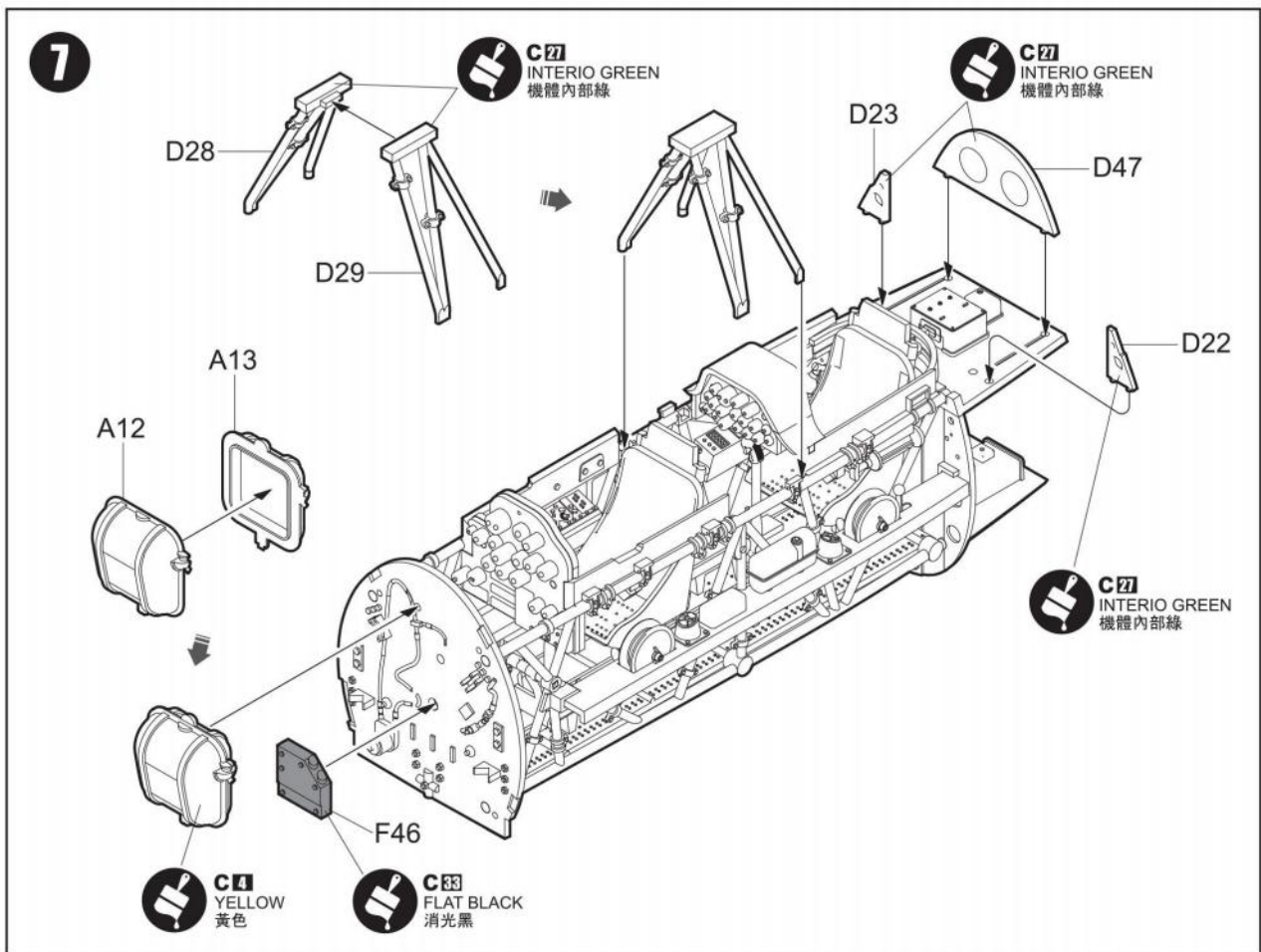
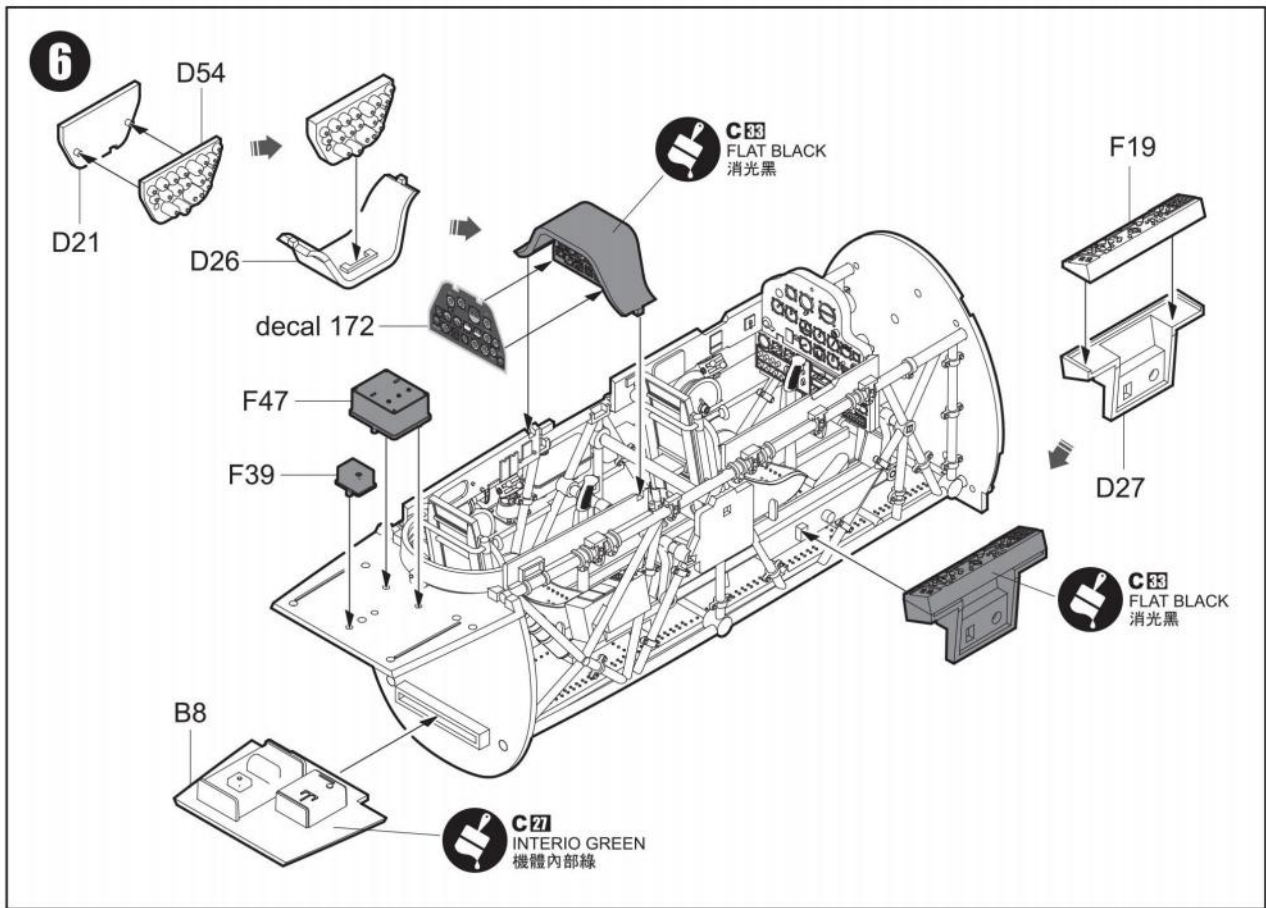
水貼紙  
Decal



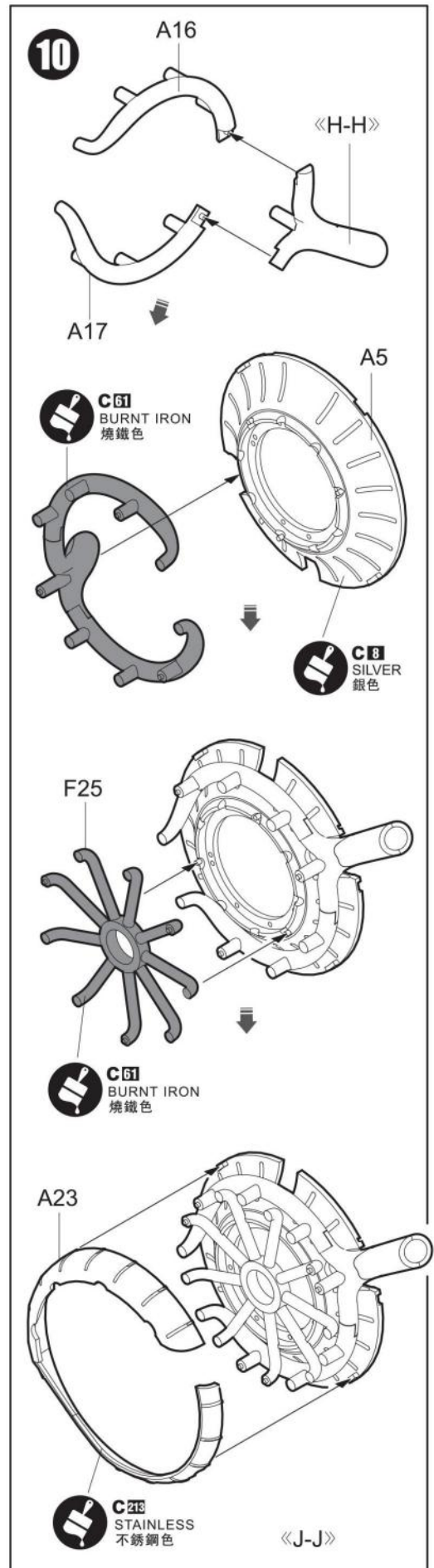
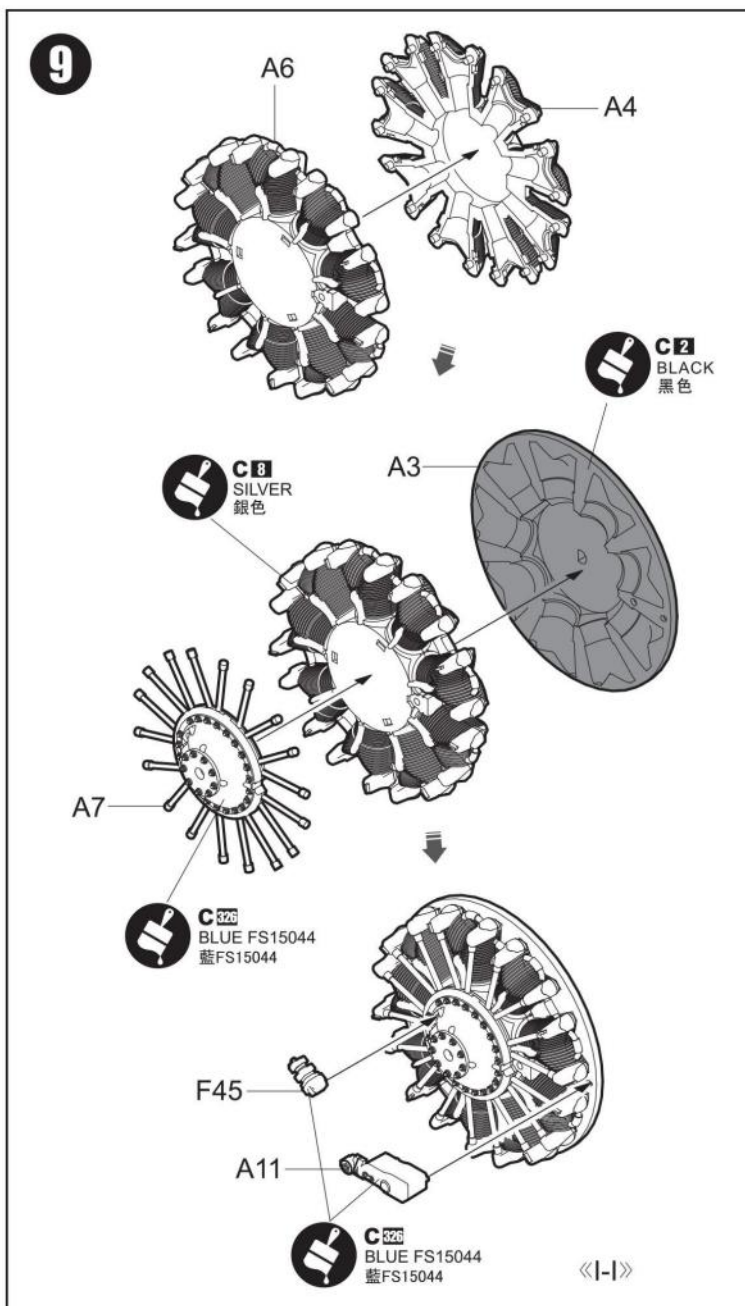
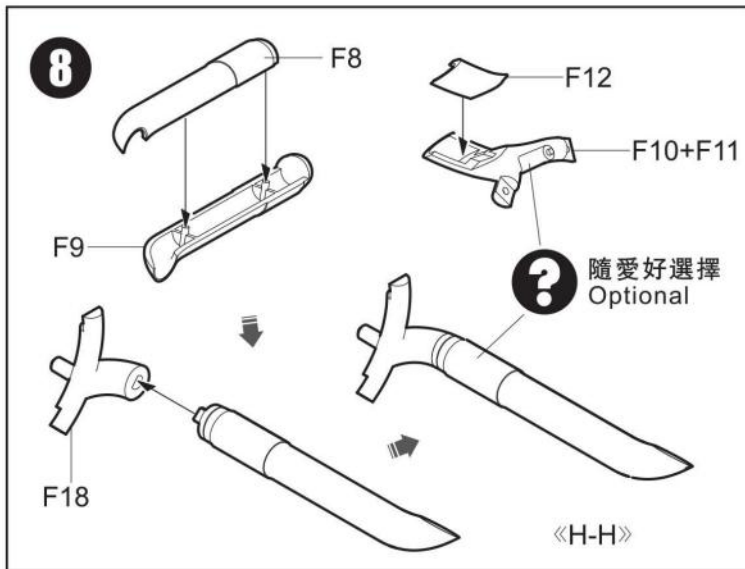


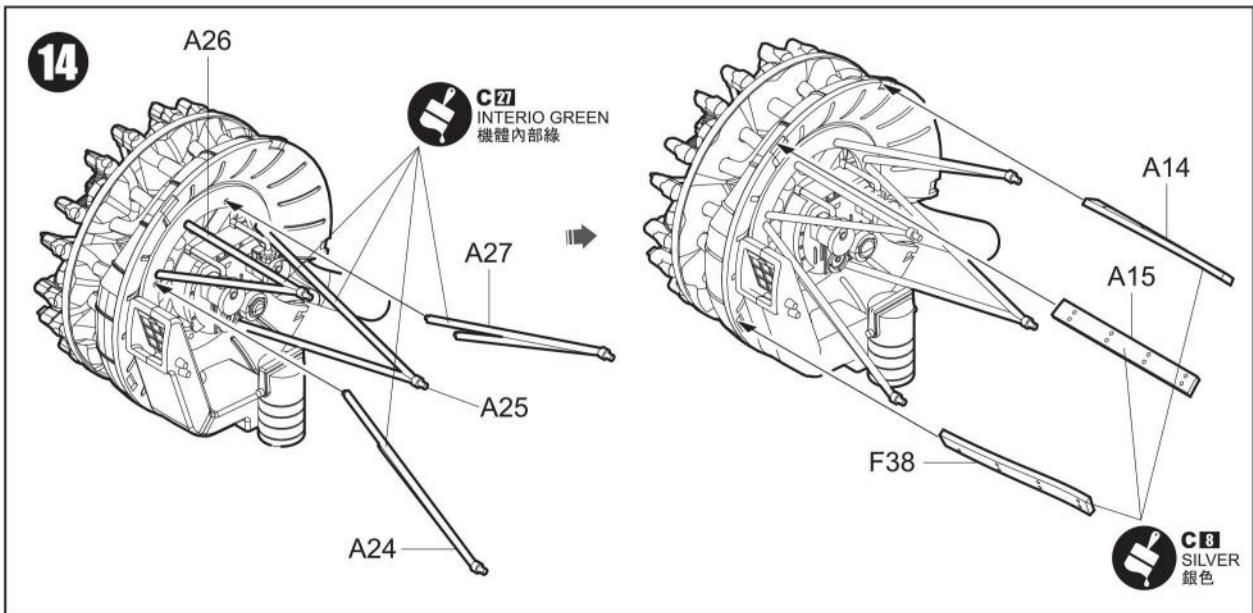
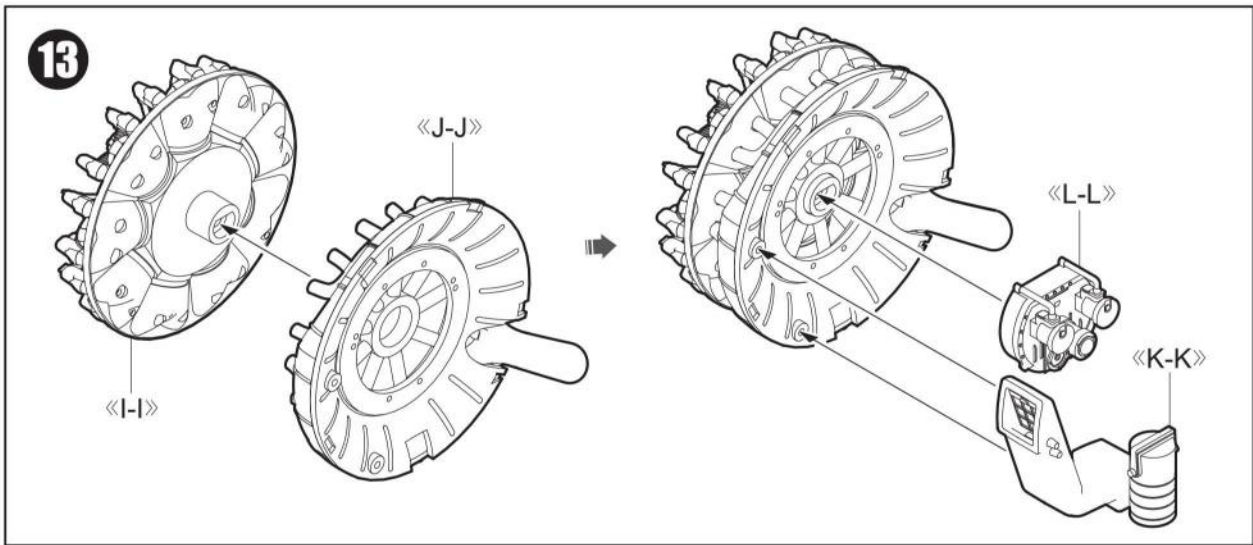
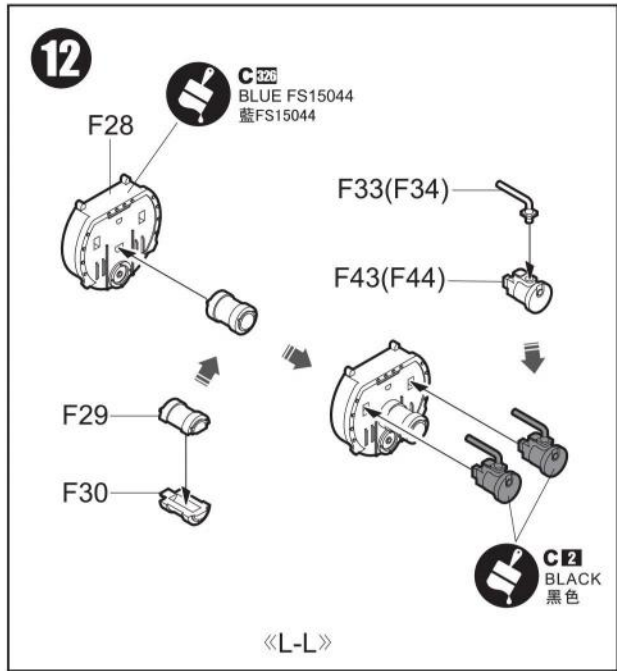
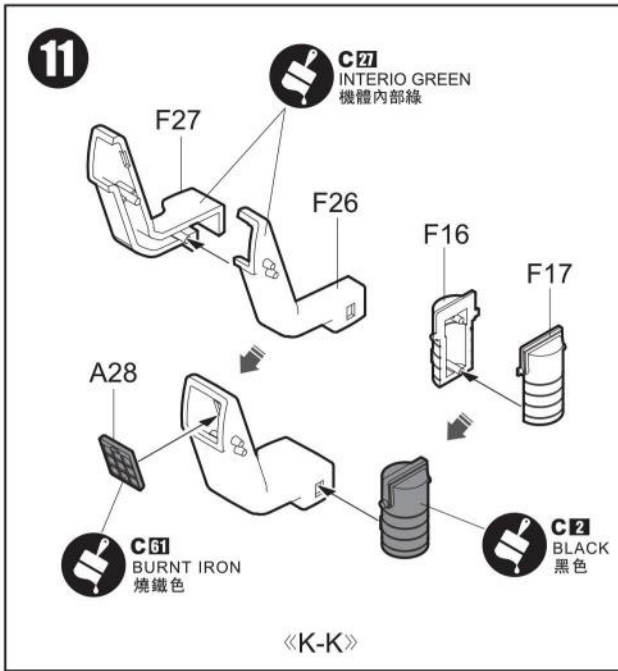


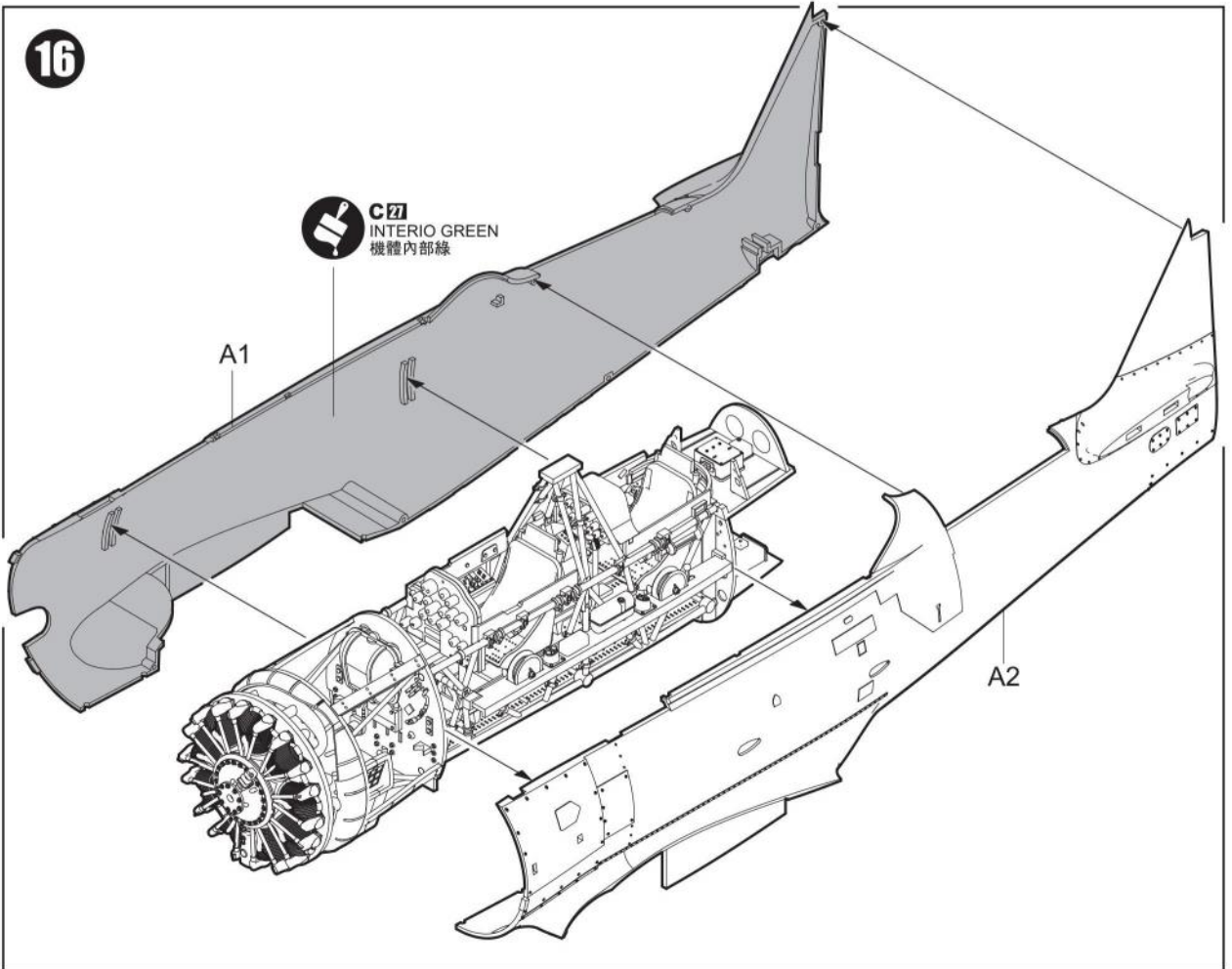
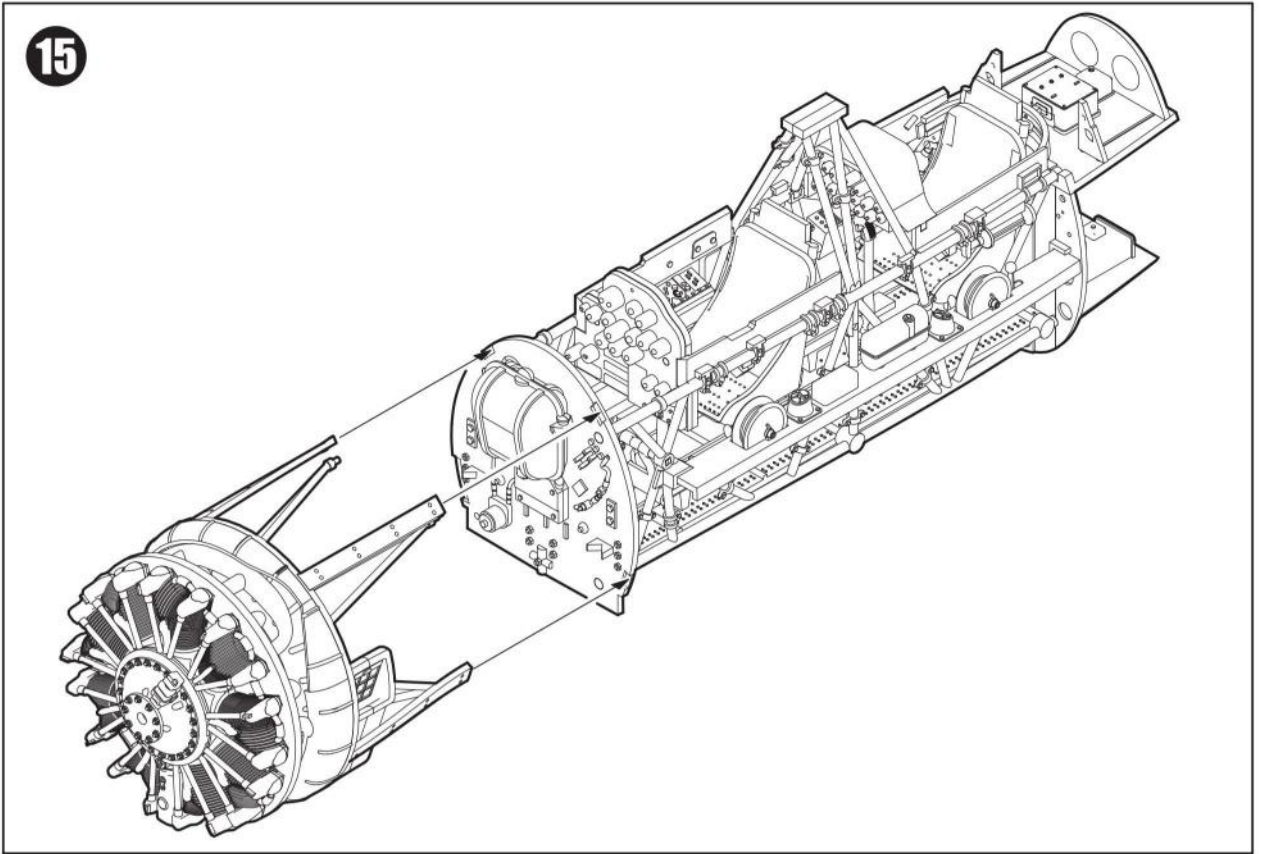




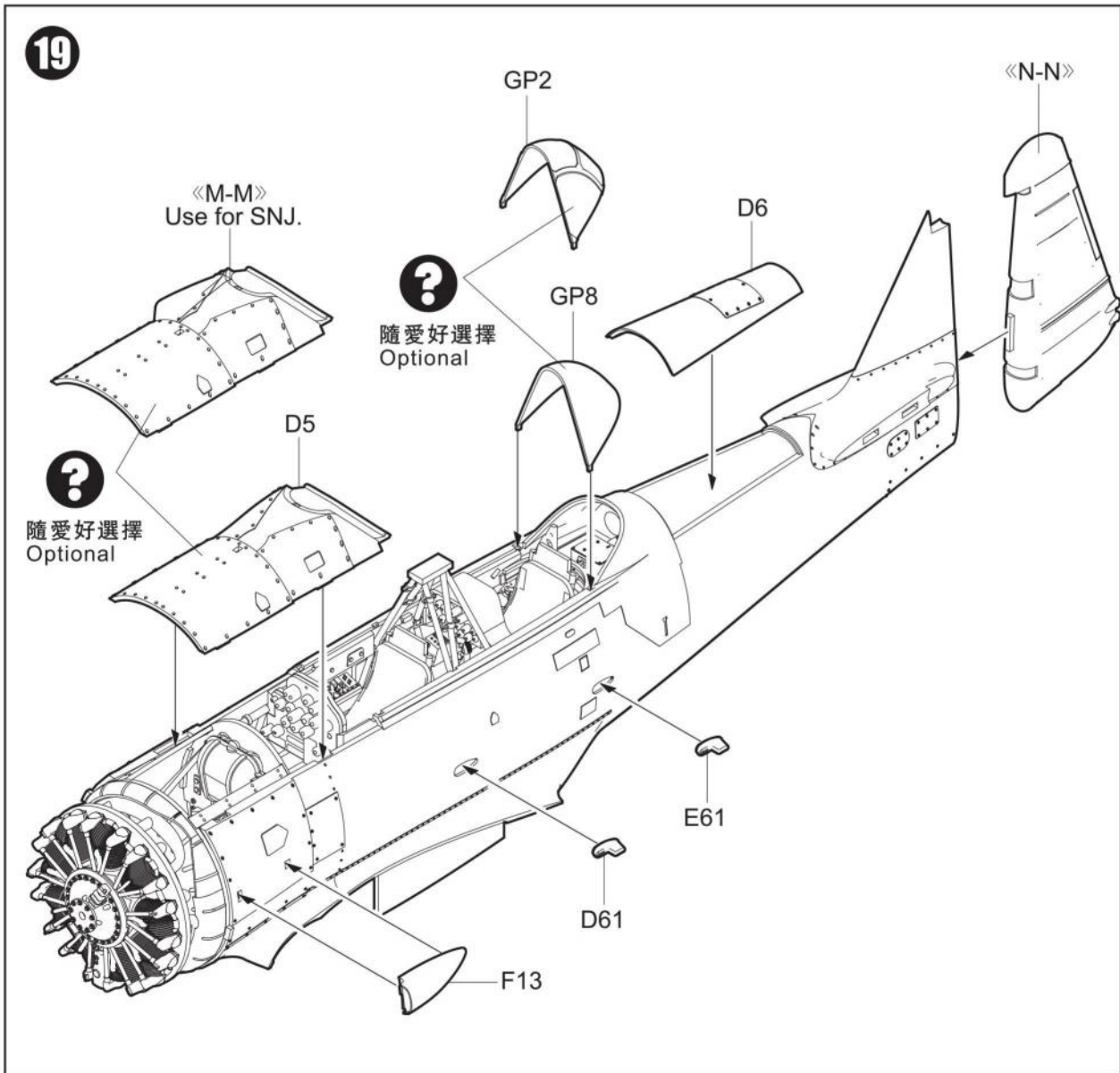
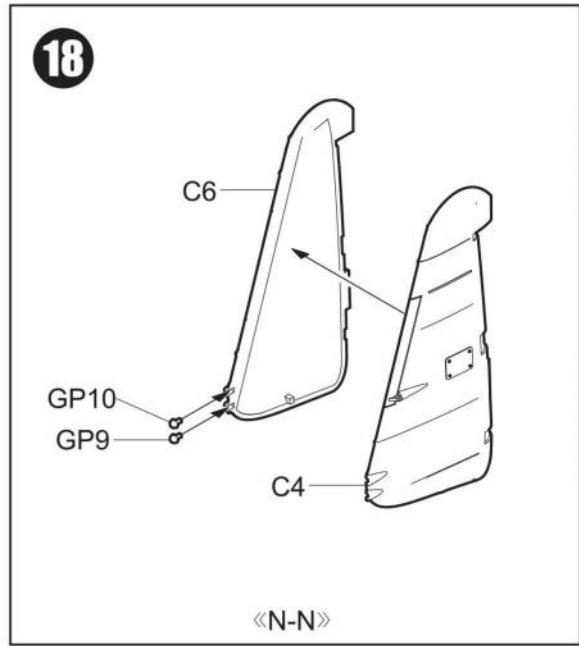
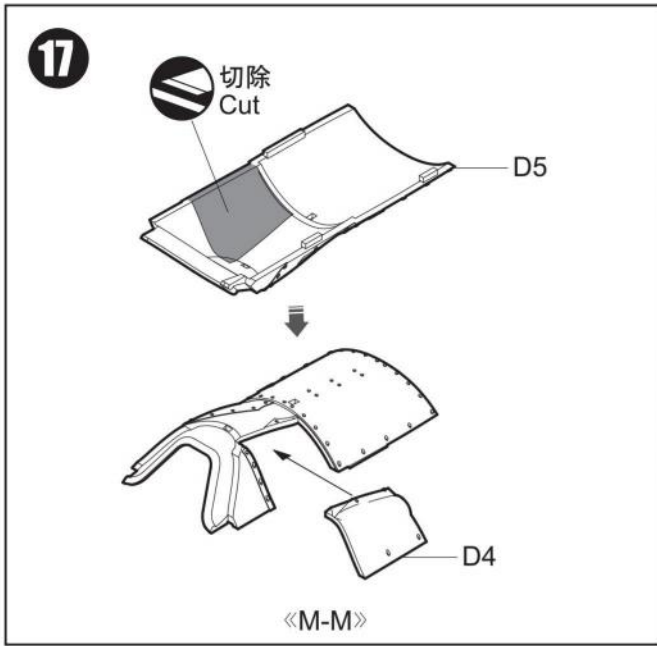


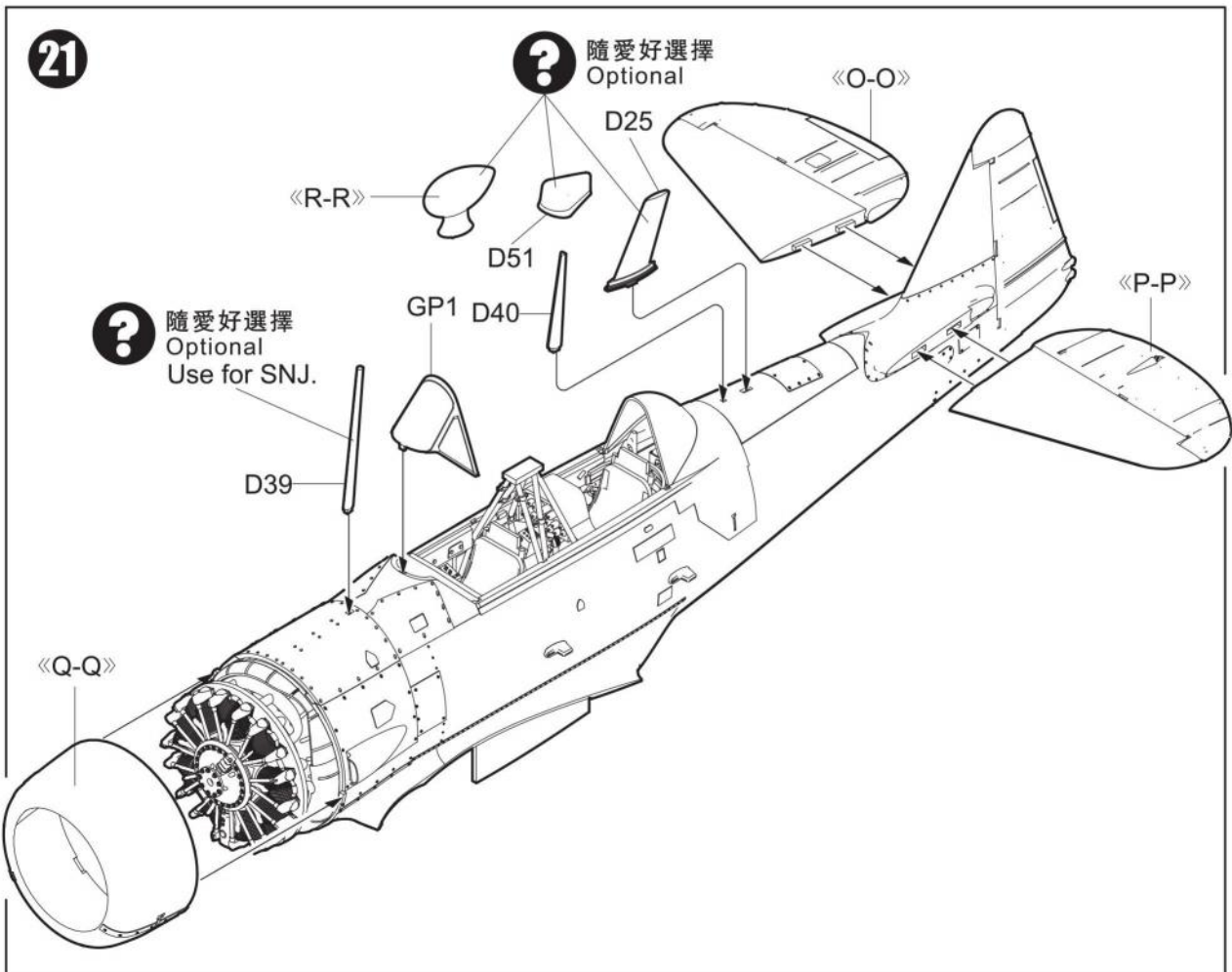
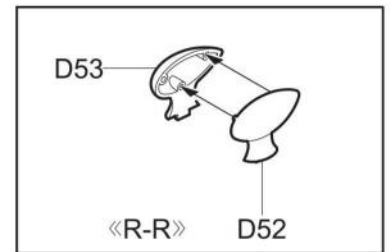
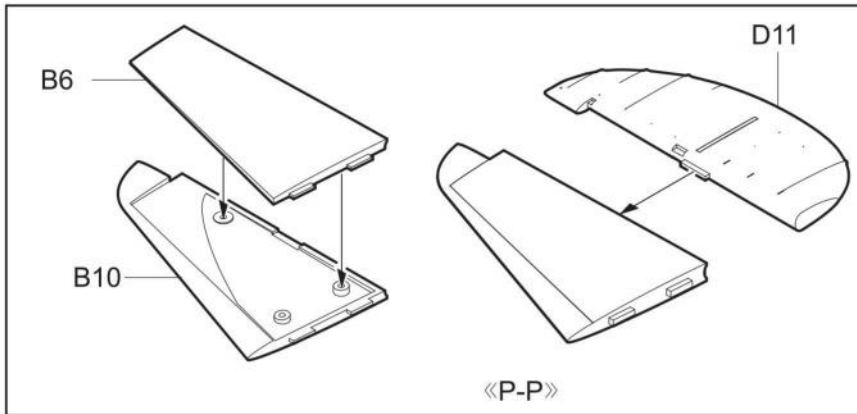
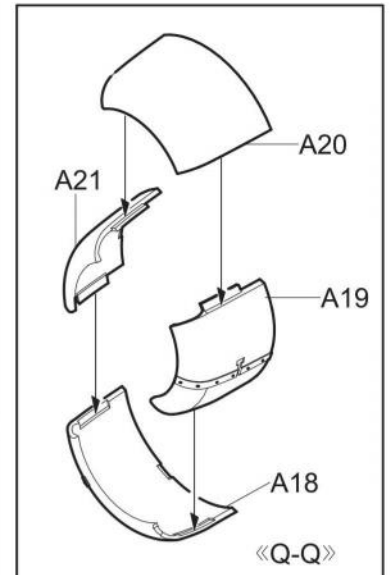
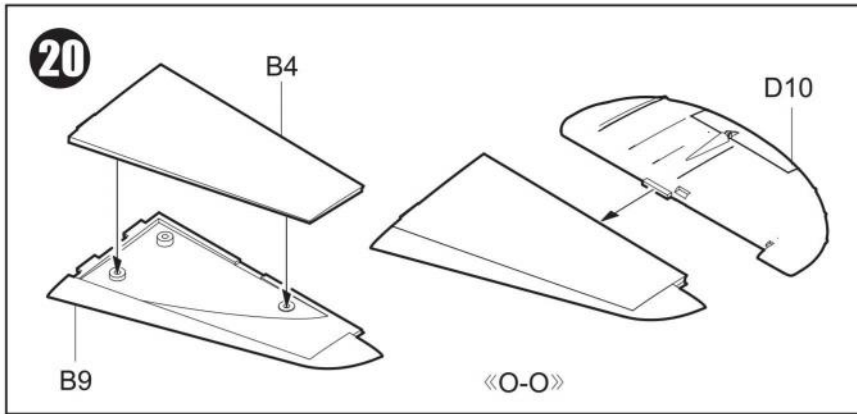




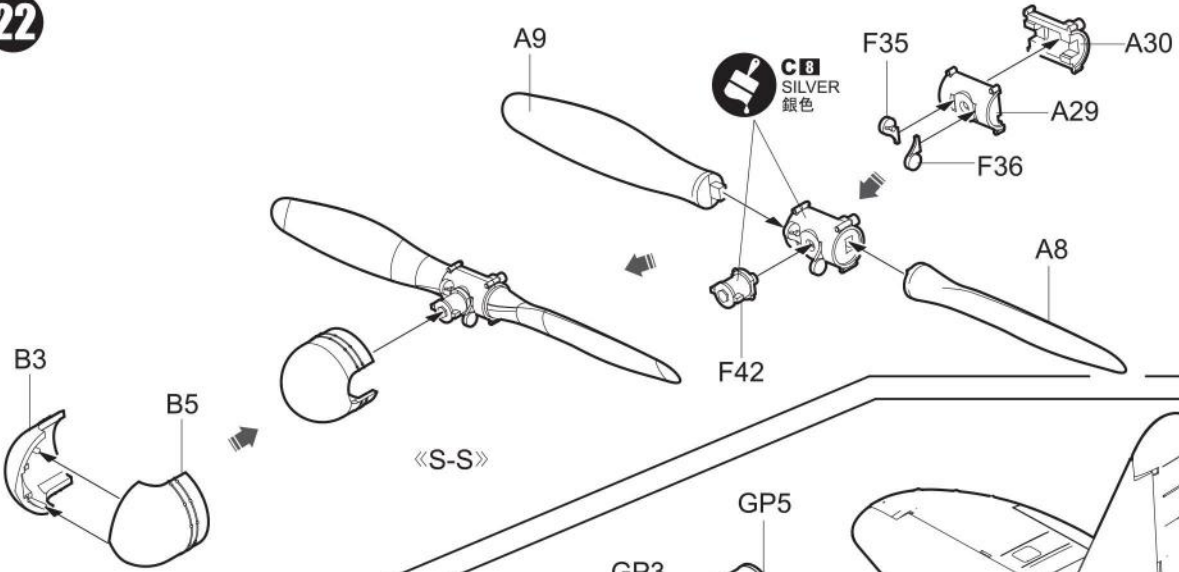




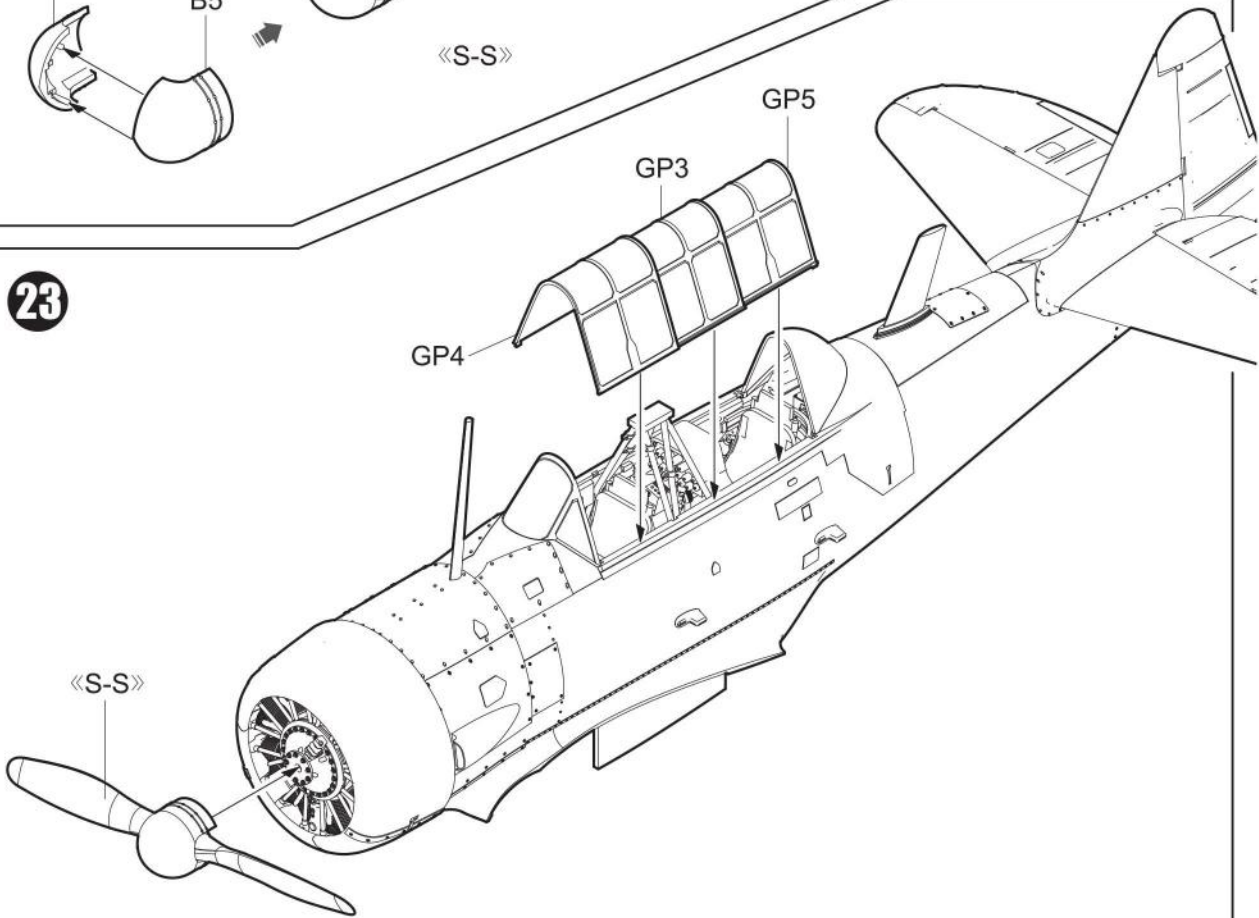




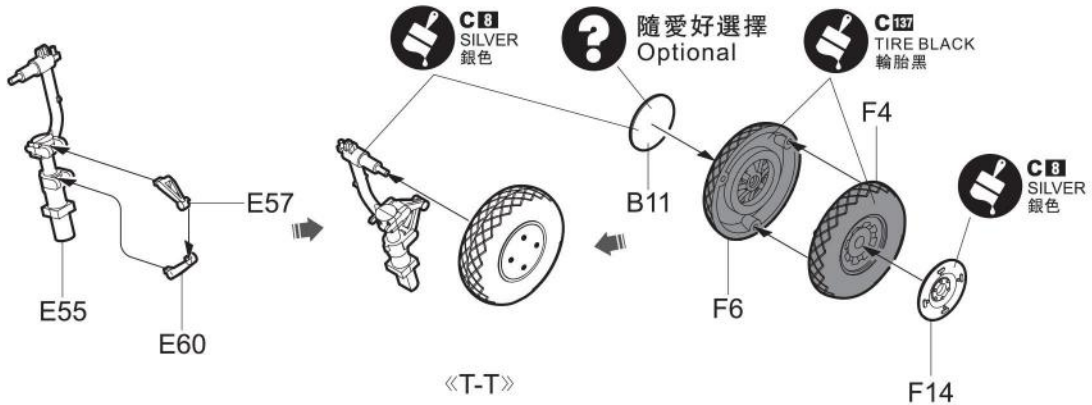
22



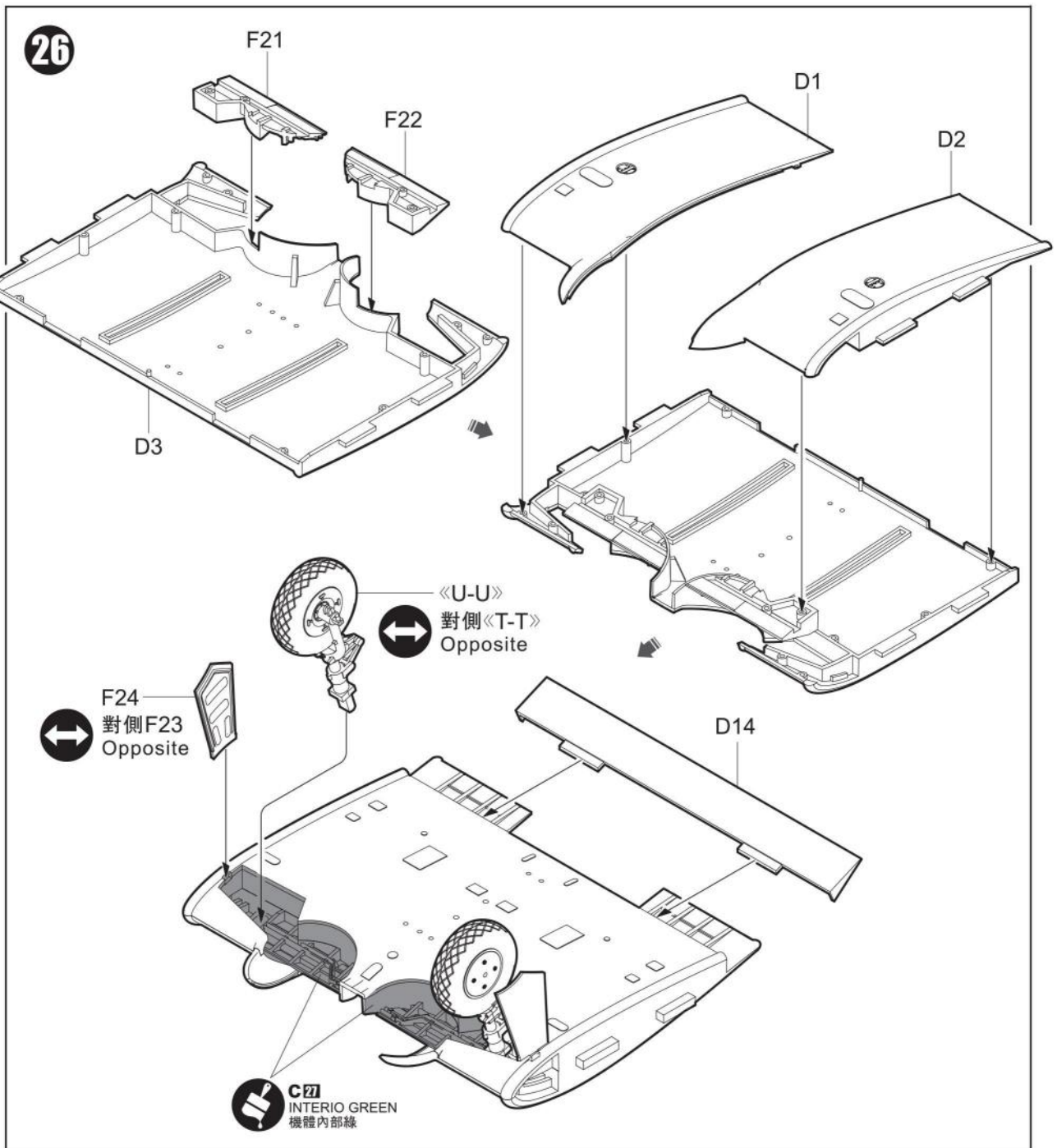
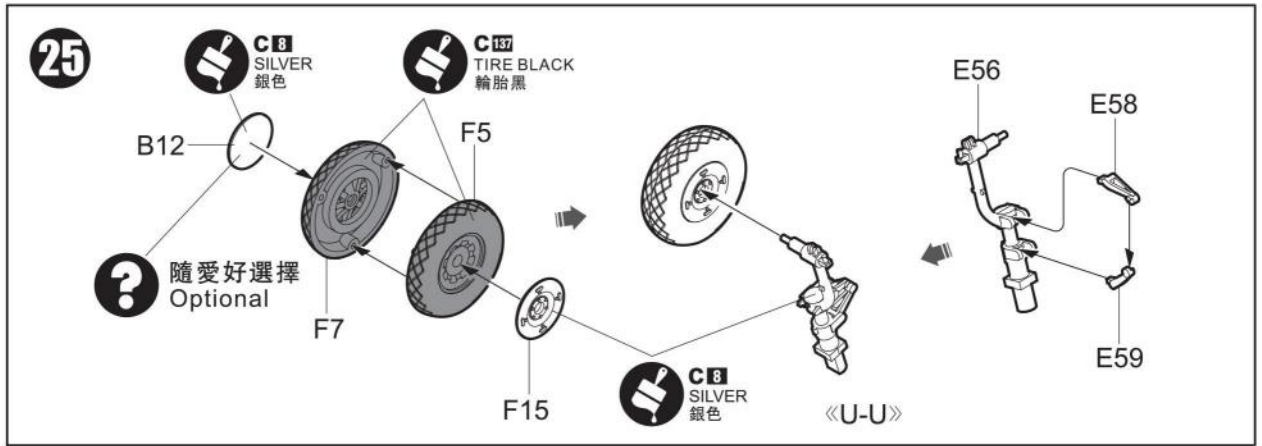
23



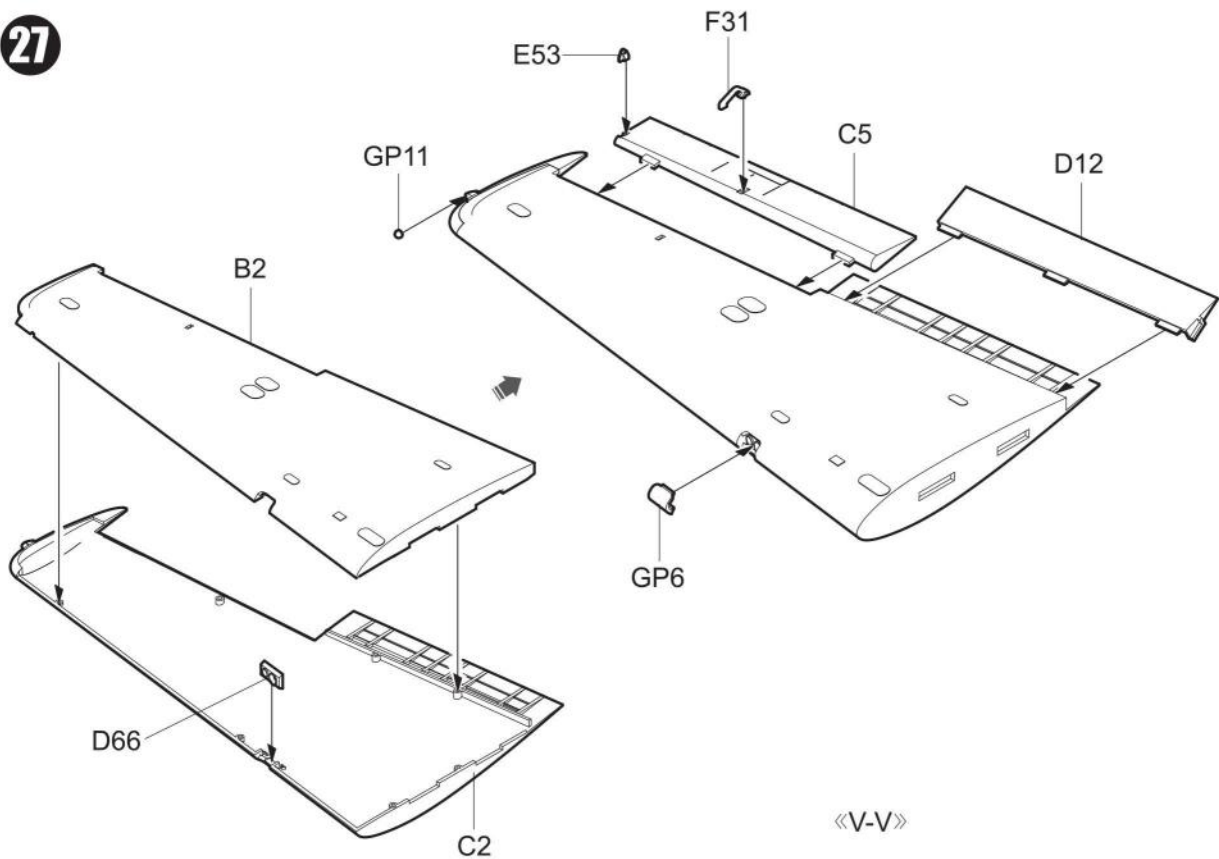
24



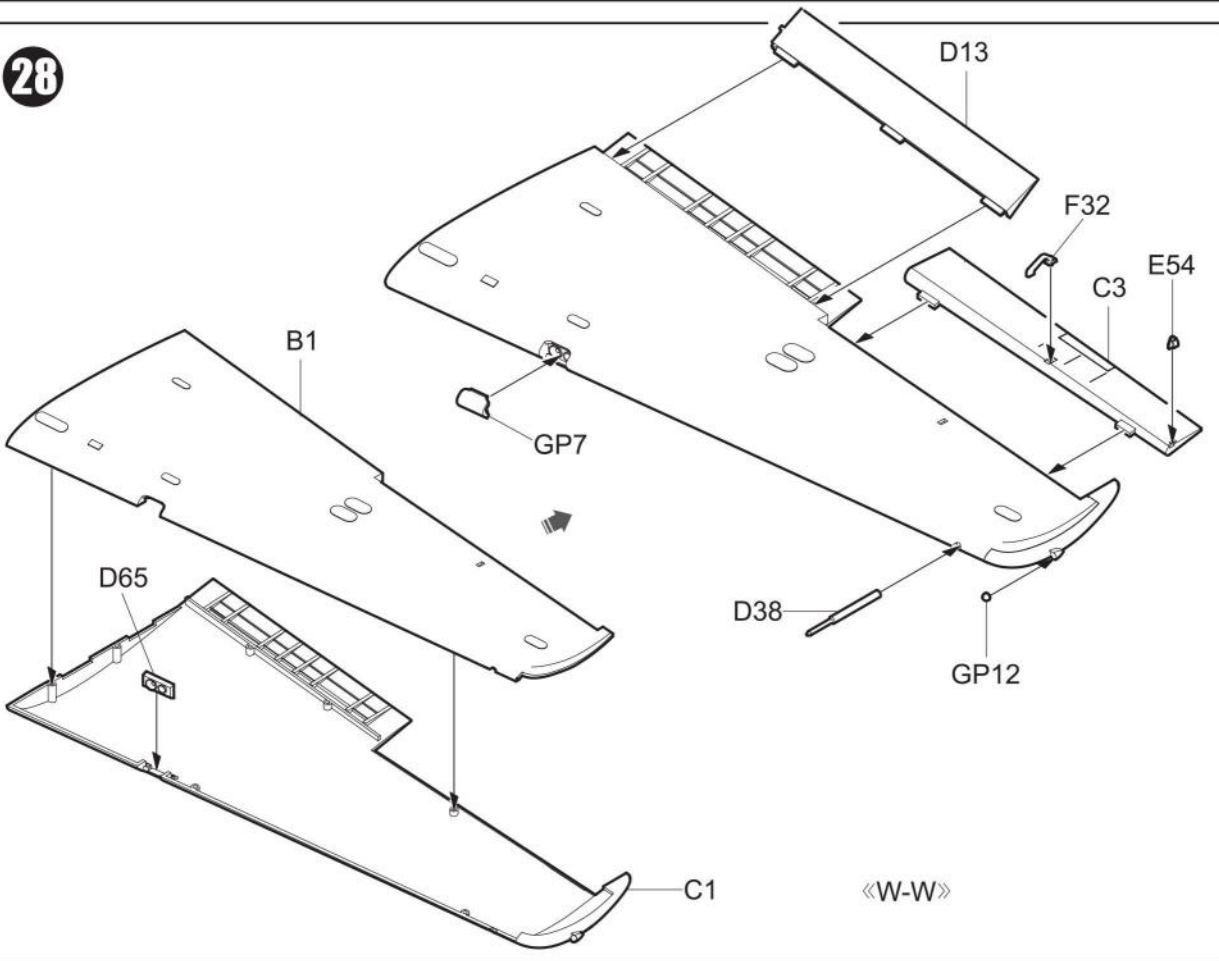


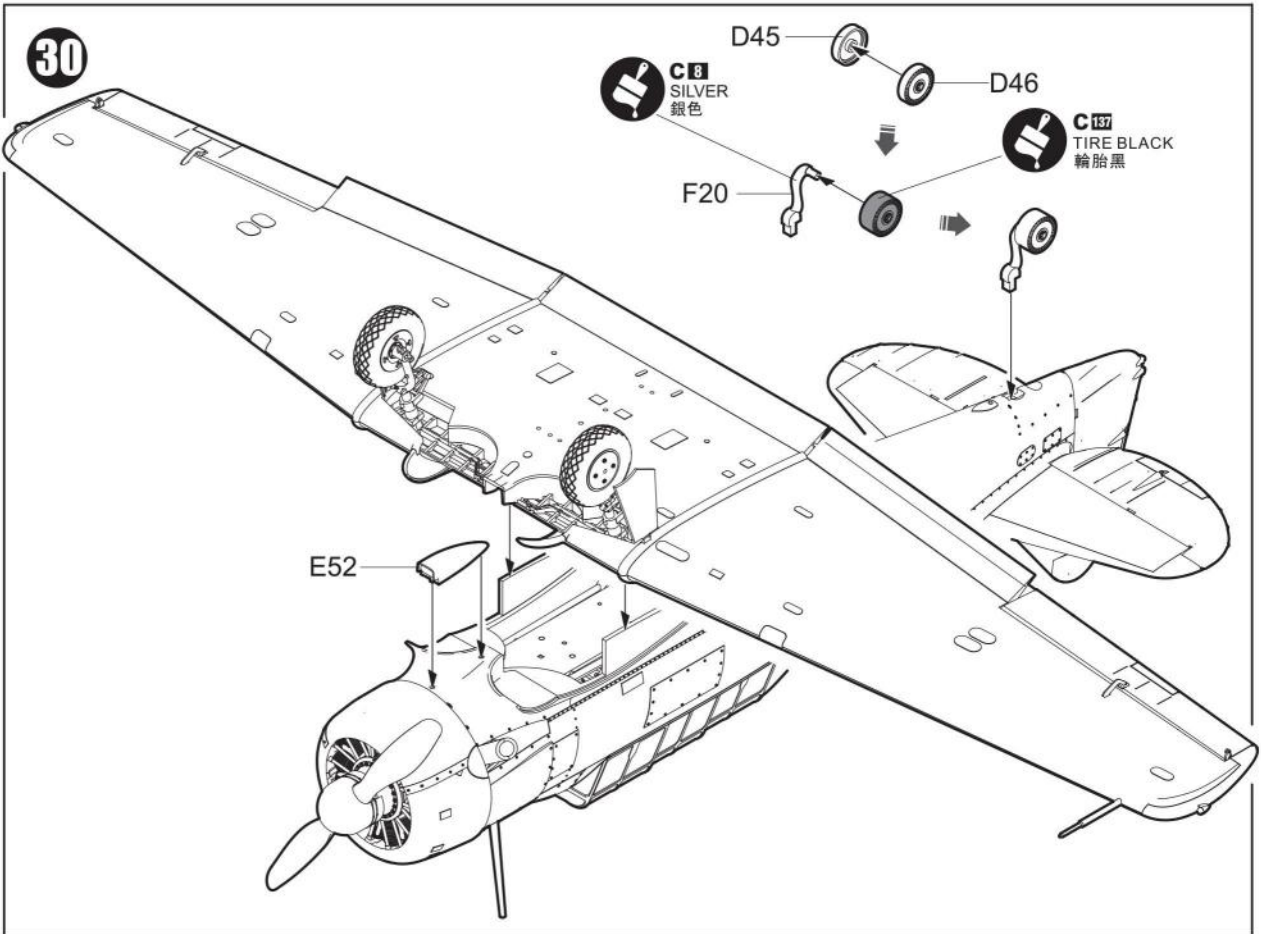
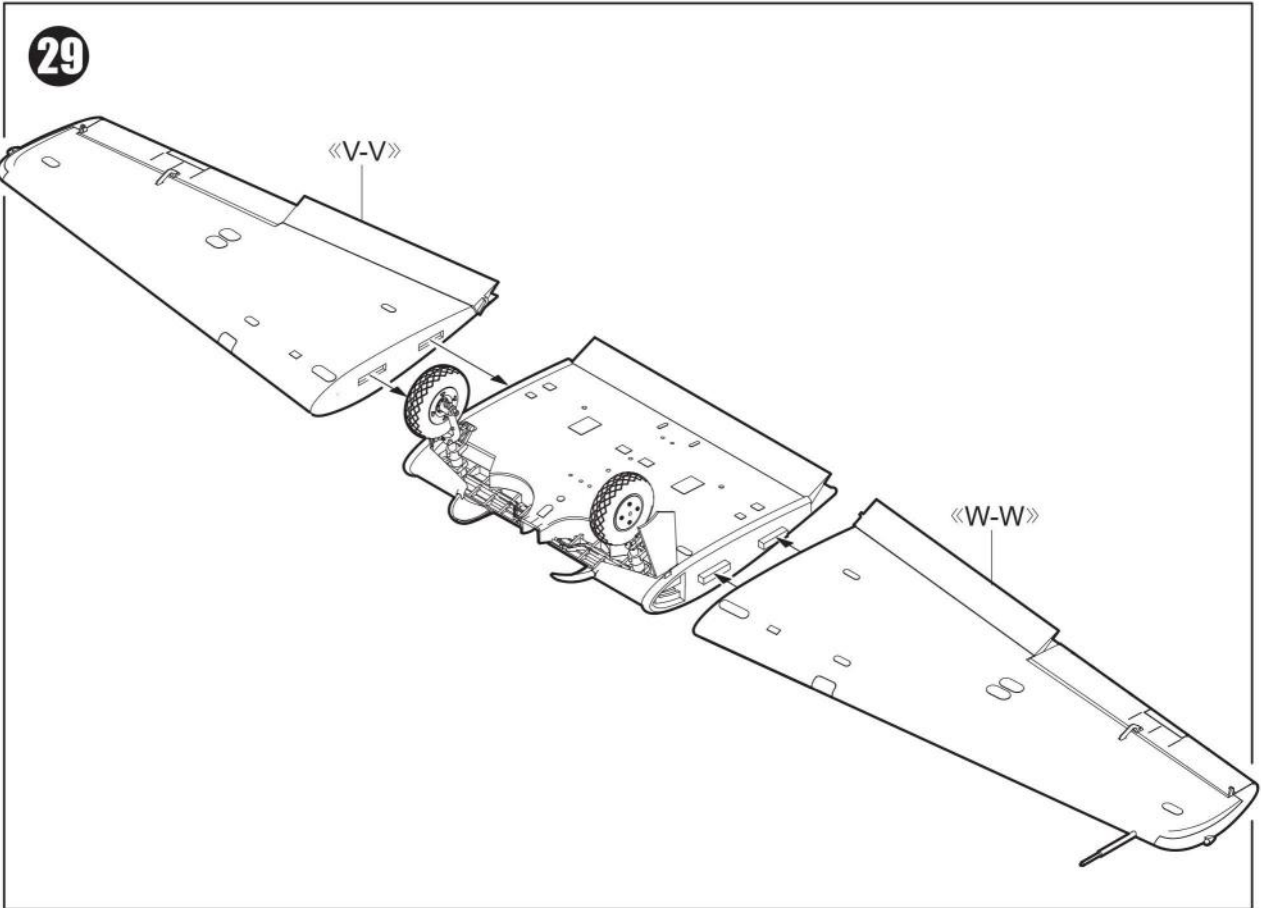


27

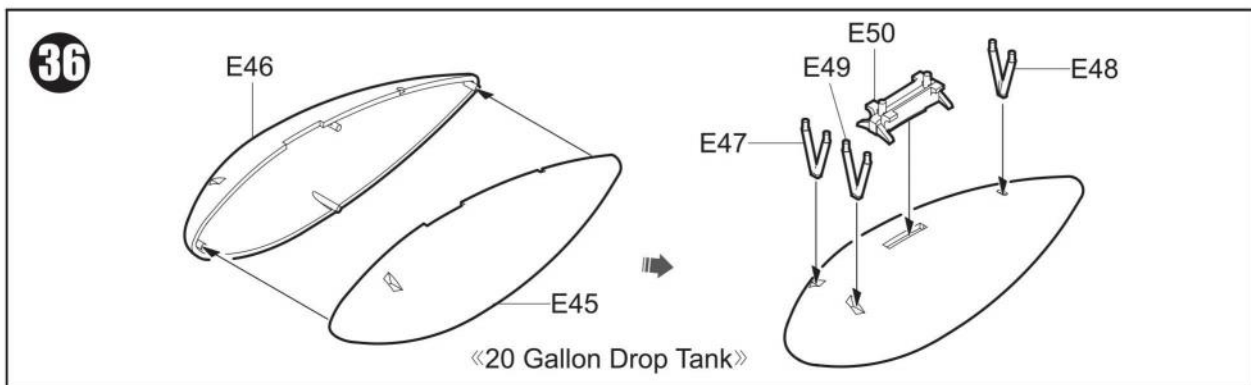
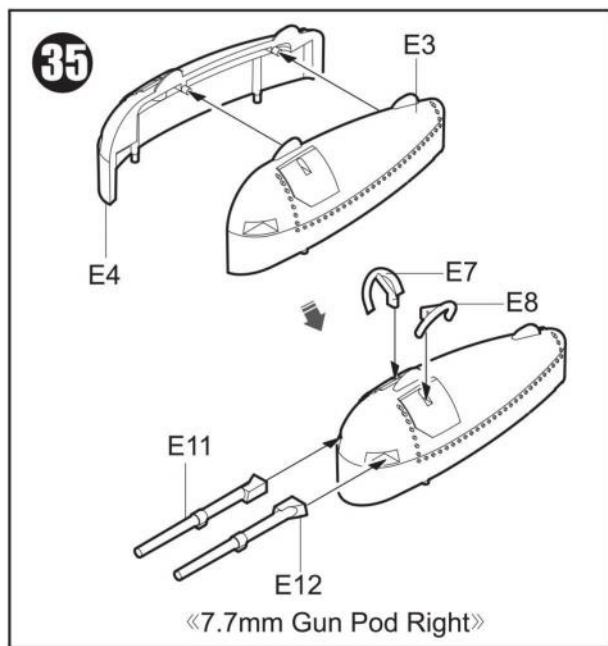
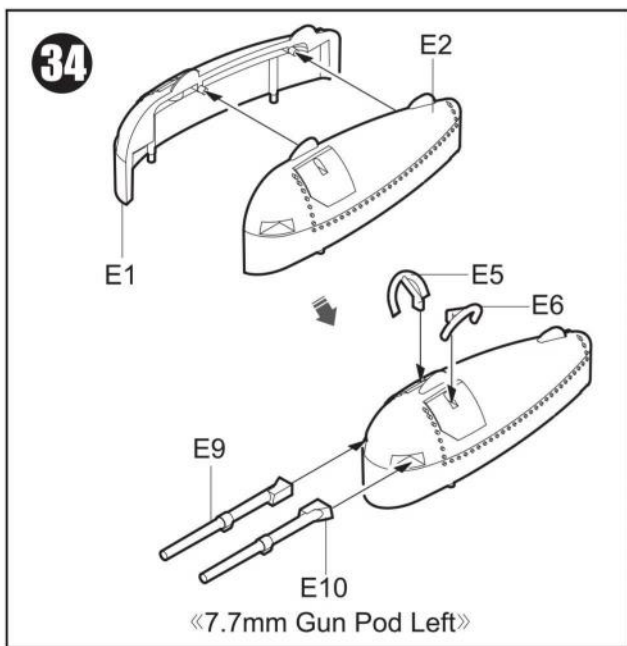
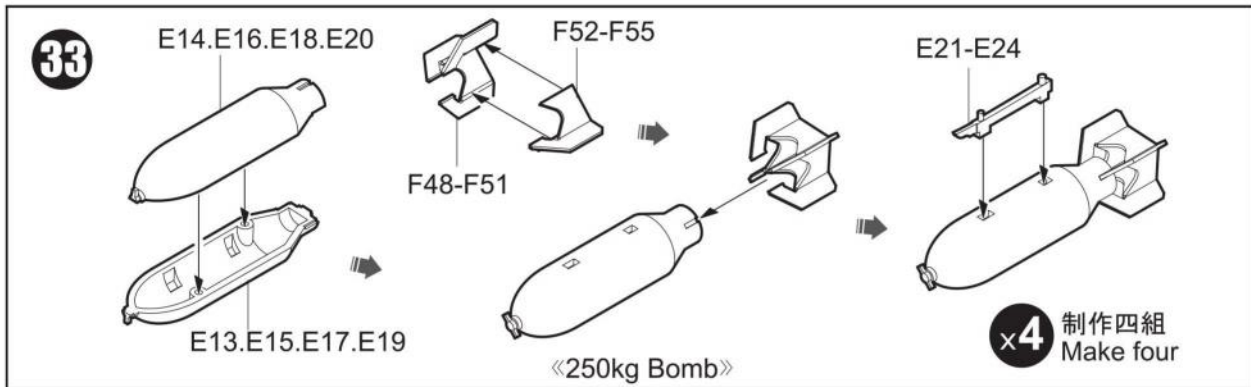
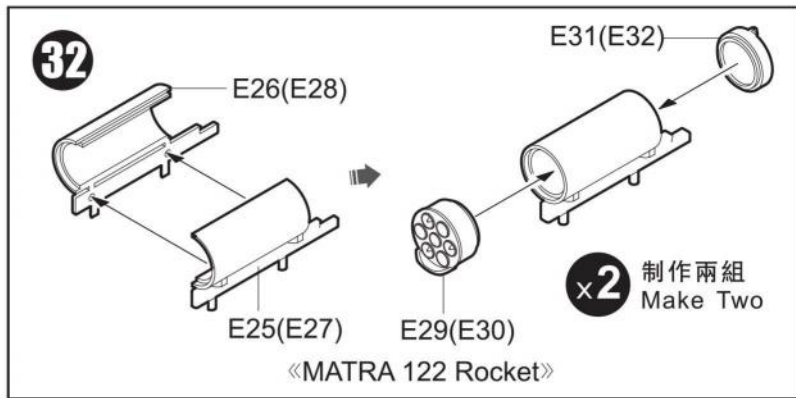
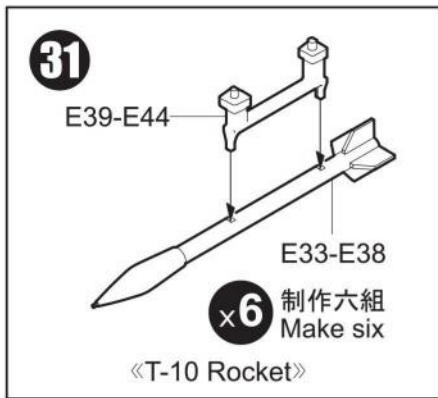


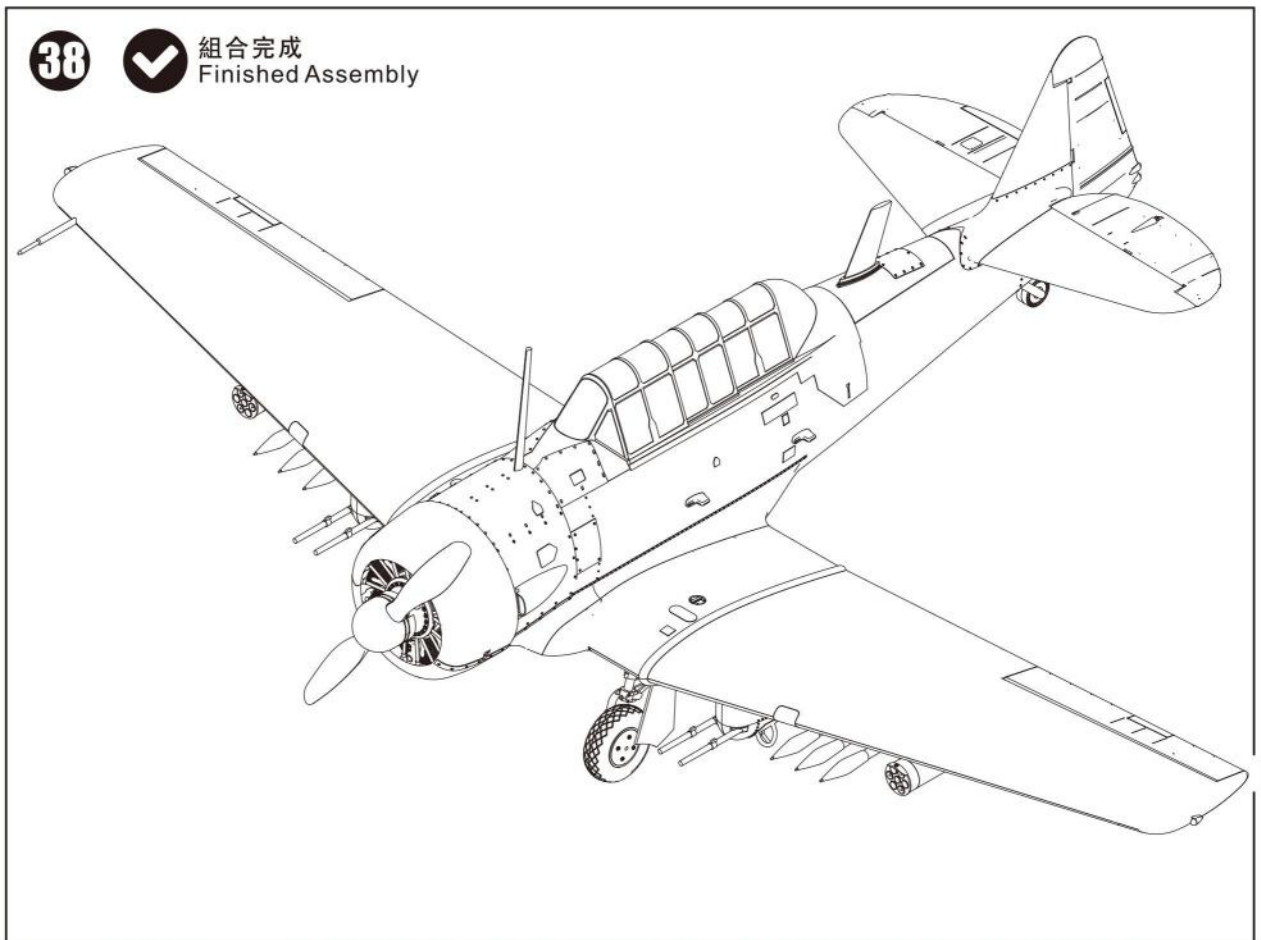
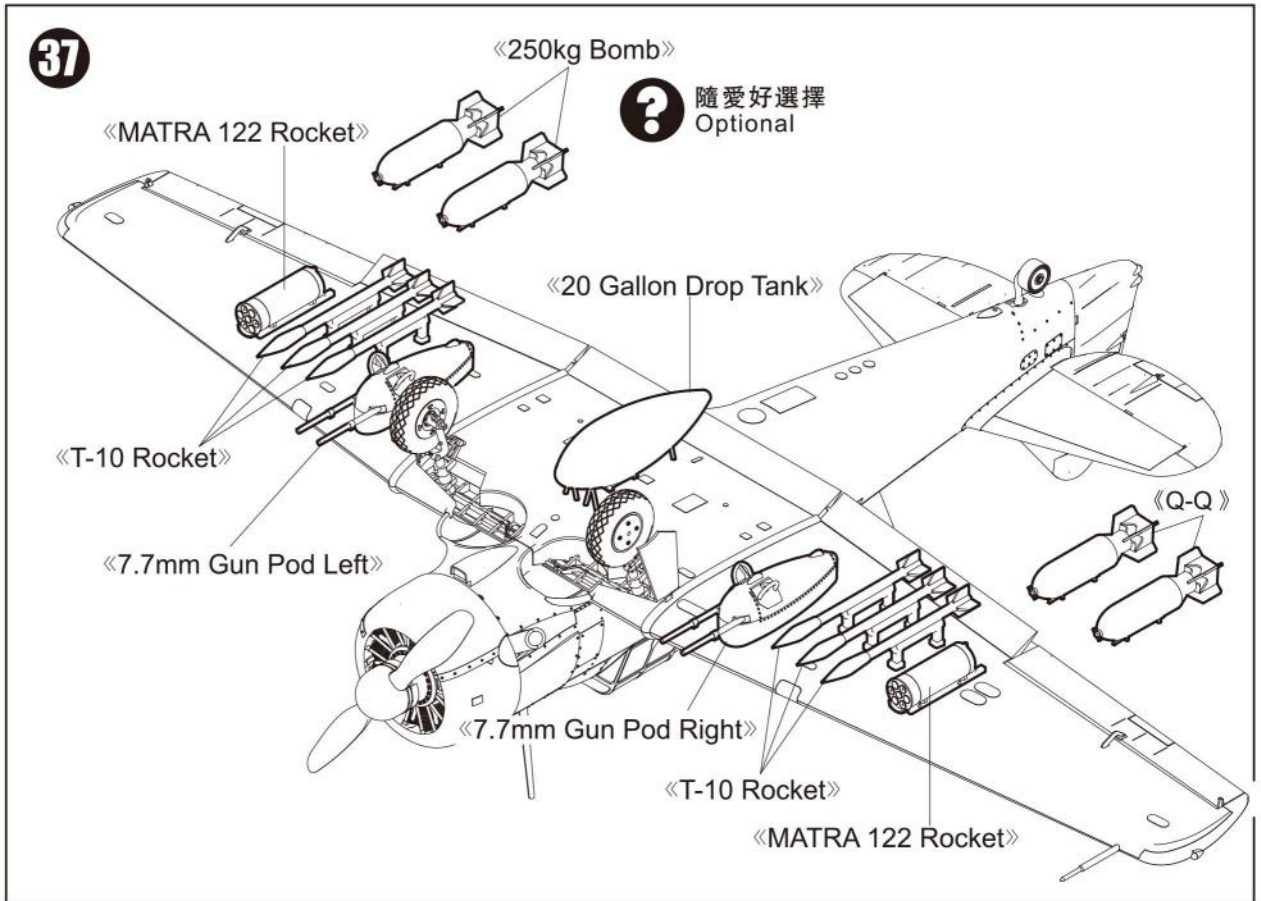
28







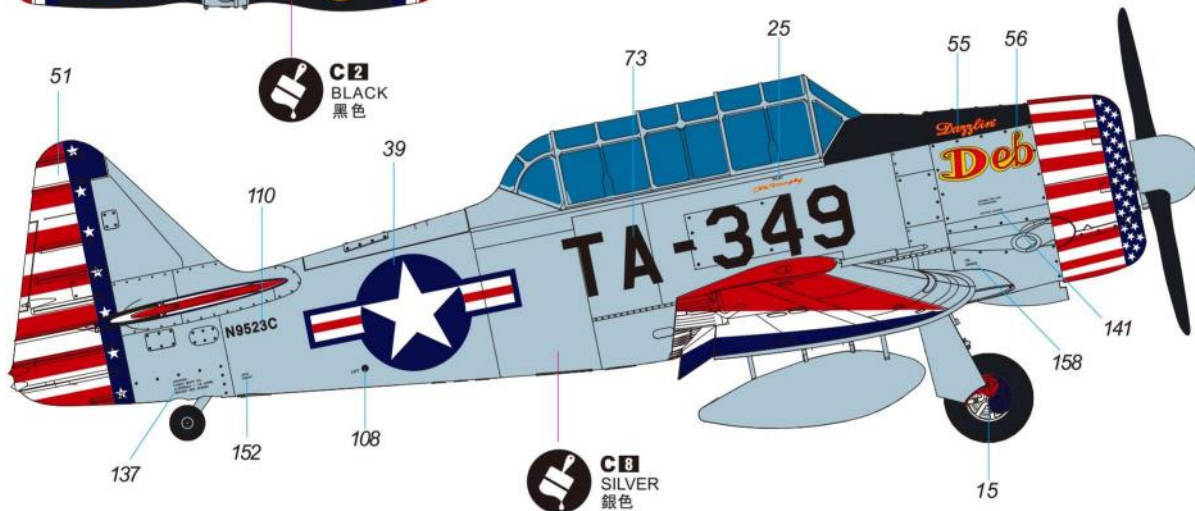
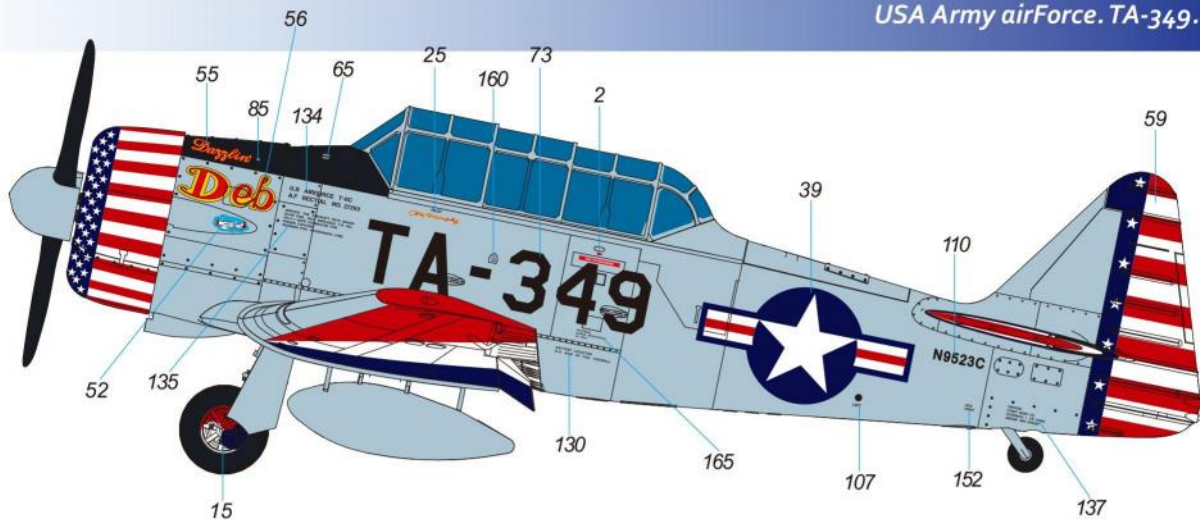




# Painting & marking Guide

塗裝與水貼

USA Army airForce. TA-349.



**C2**  
BLACK  
黑色

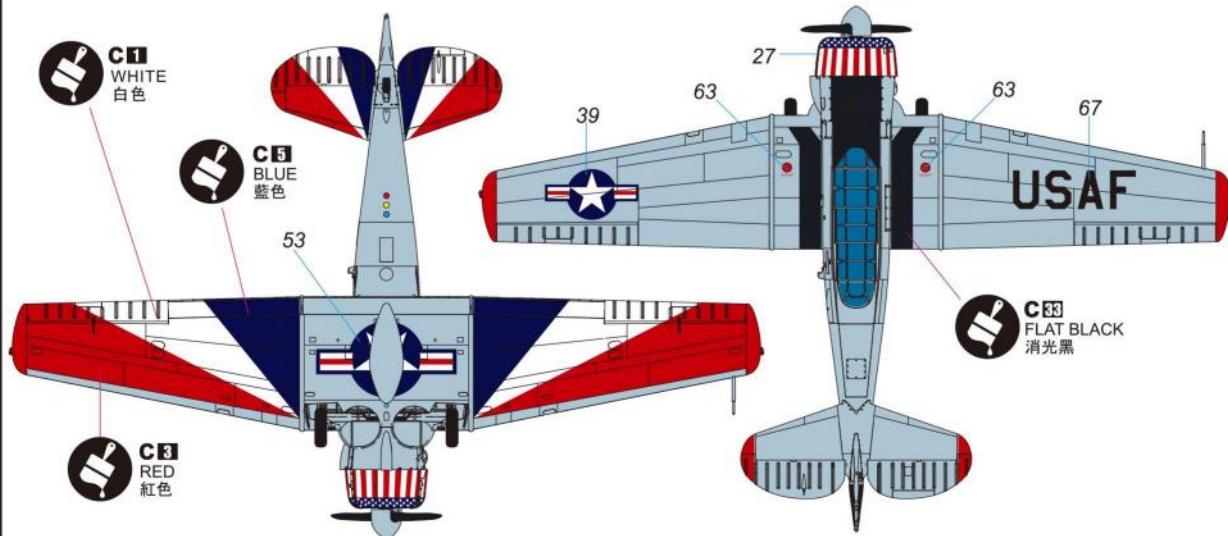
**C8**  
SILVER  
銀色

**C1**  
WHITE  
白色

**C5**  
BLUE  
藍色

**C3**  
RED  
紅色

**C23**  
FLAT BLACK  
消光黑

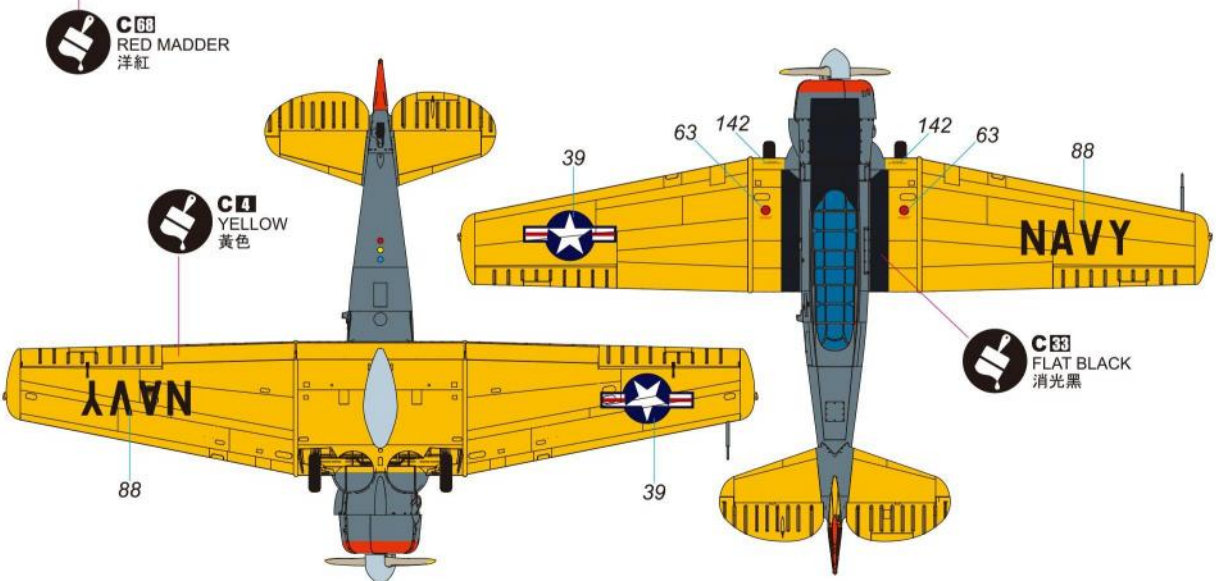
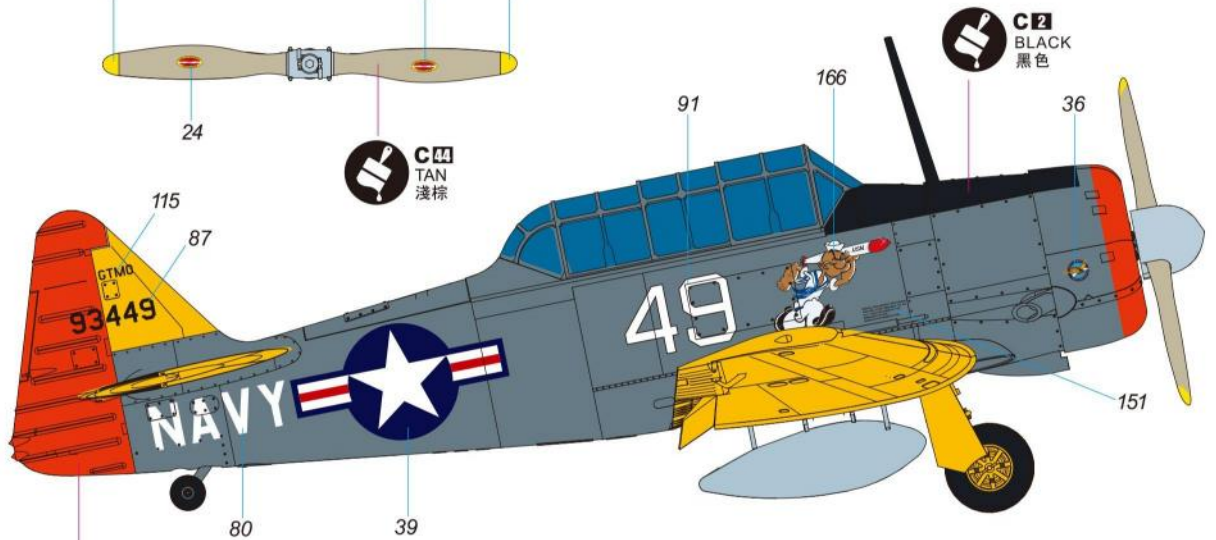
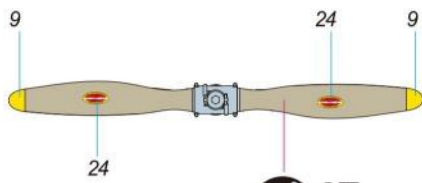
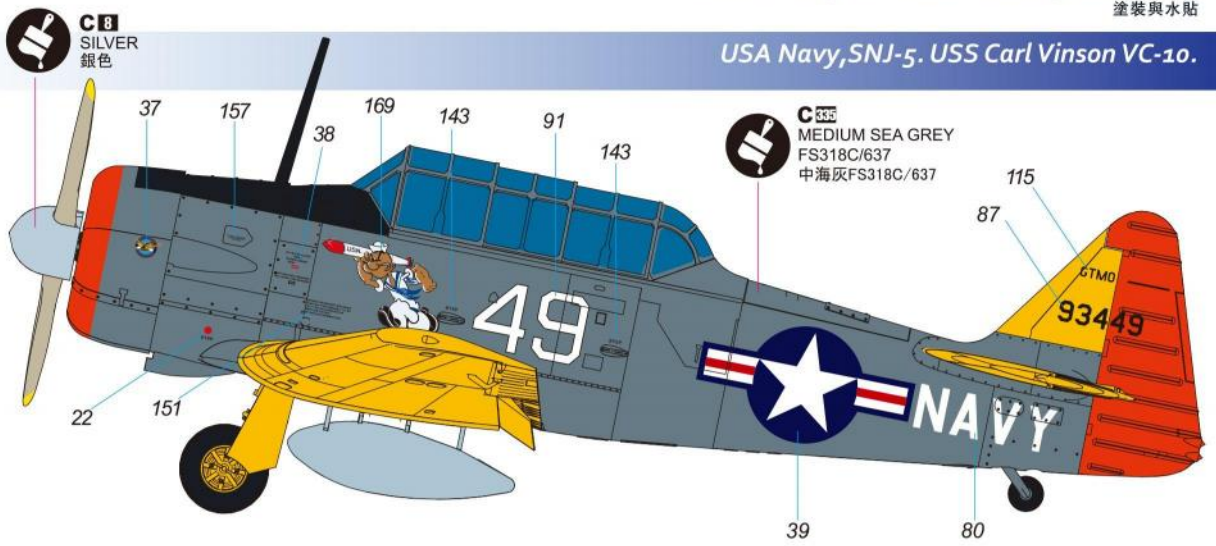




# Painting & marking Guide

塗裝與水貼

USA Navy, SNJ-5, USS Carl Vinson VC-10.



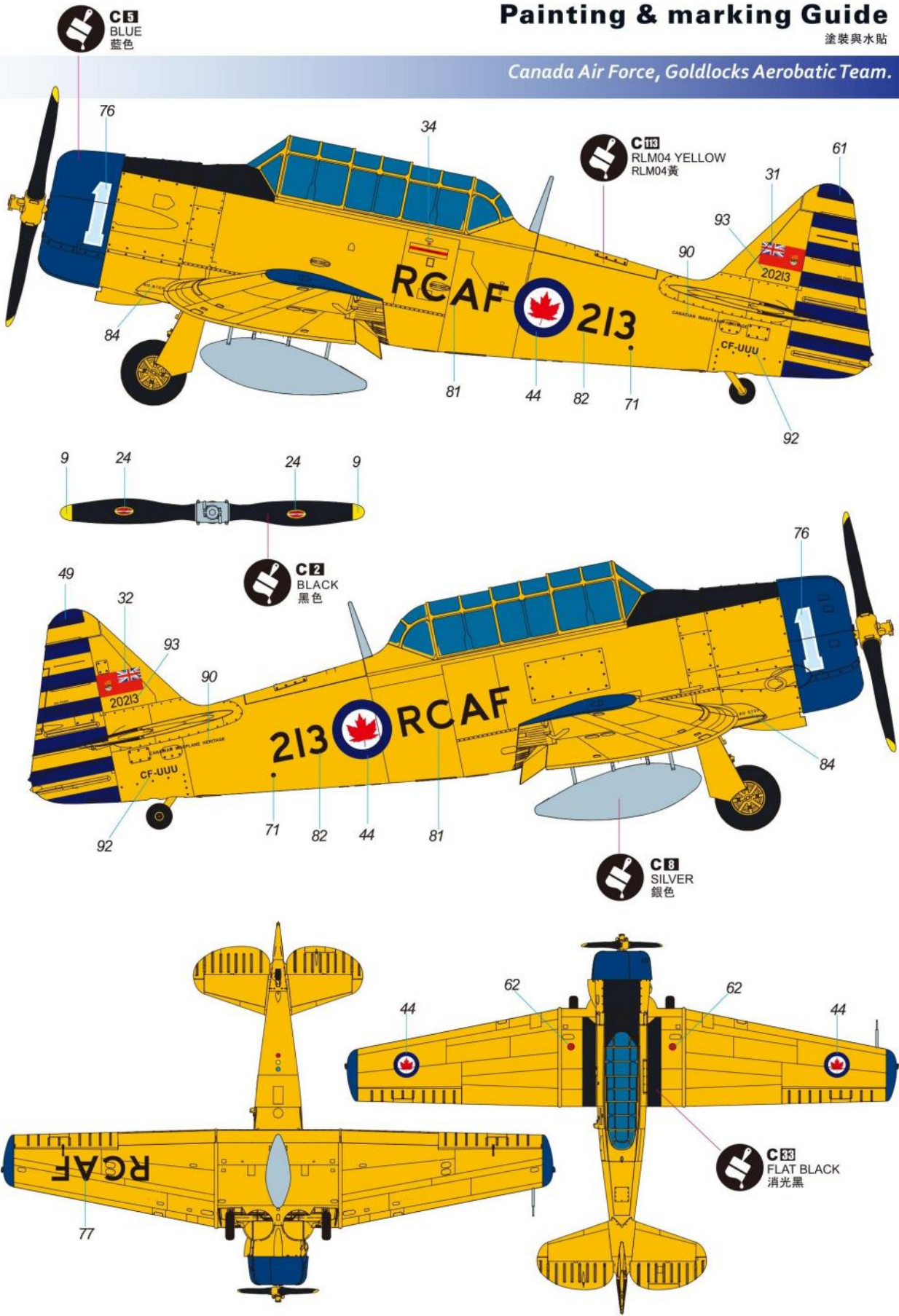




# Painting & marking Guide

塗裝與水貼

Canada Air Force, Goldlocks Aerobatic Team.

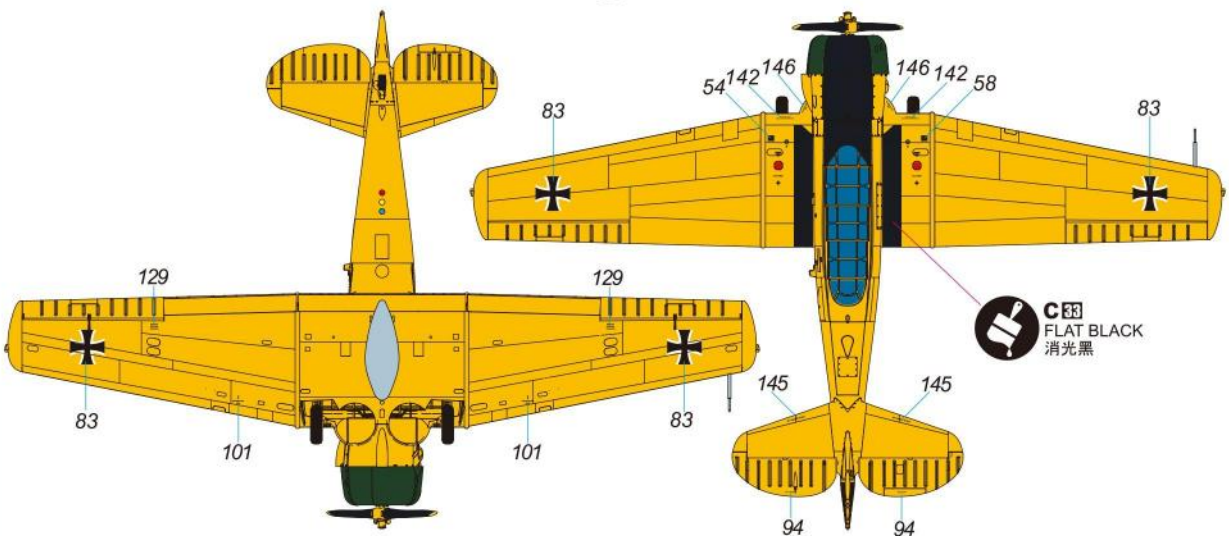
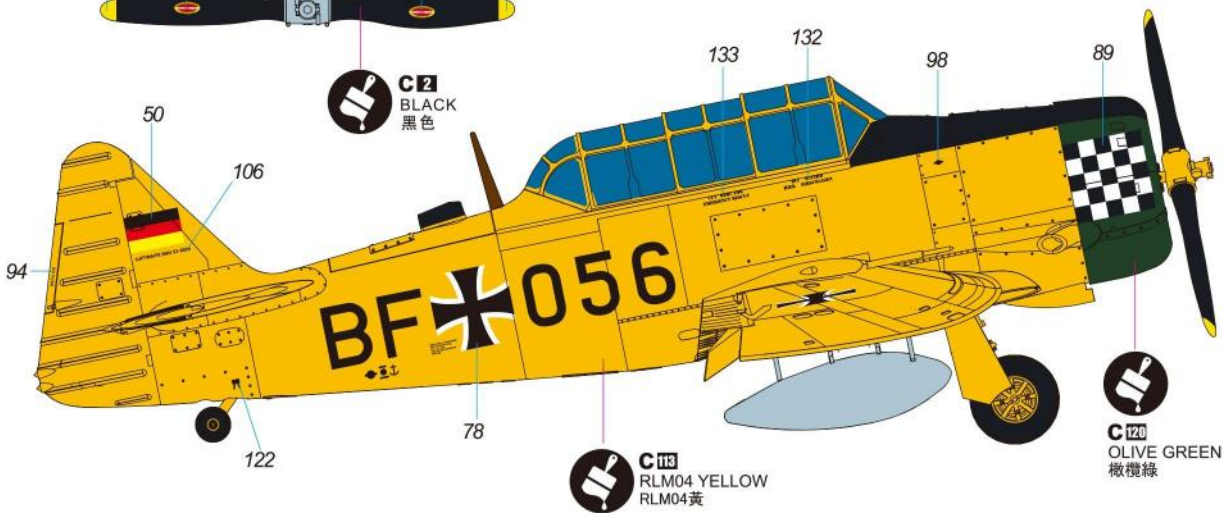
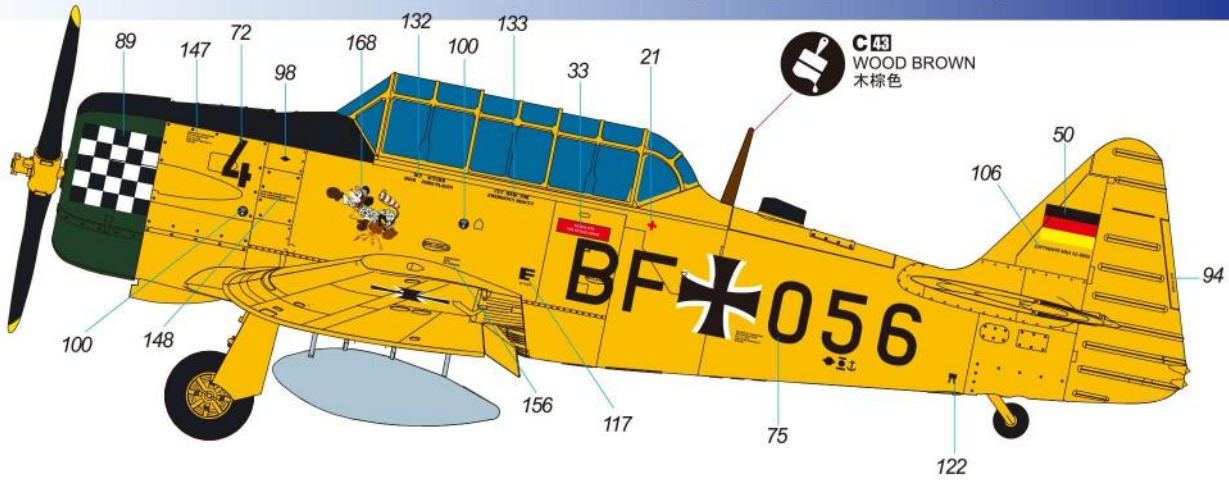




# Painting & marking Guide

塗裝與水貼

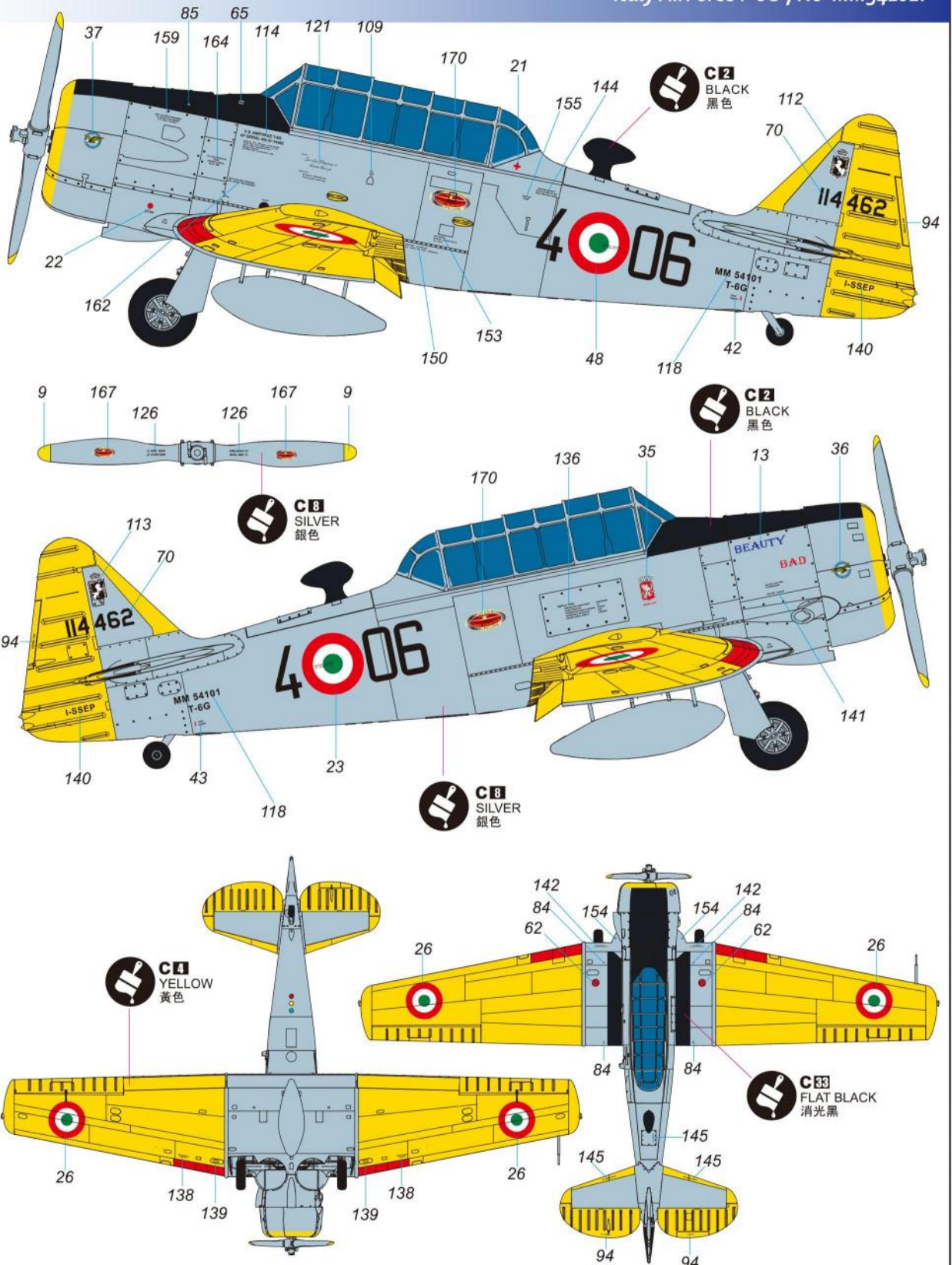
Germany Aor Fprce, Harvard Mk.II, Aerobatic Team.



# Painting & marking Guide

塗裝與水貼

Italy AirForce T-6G, No°MM54101.

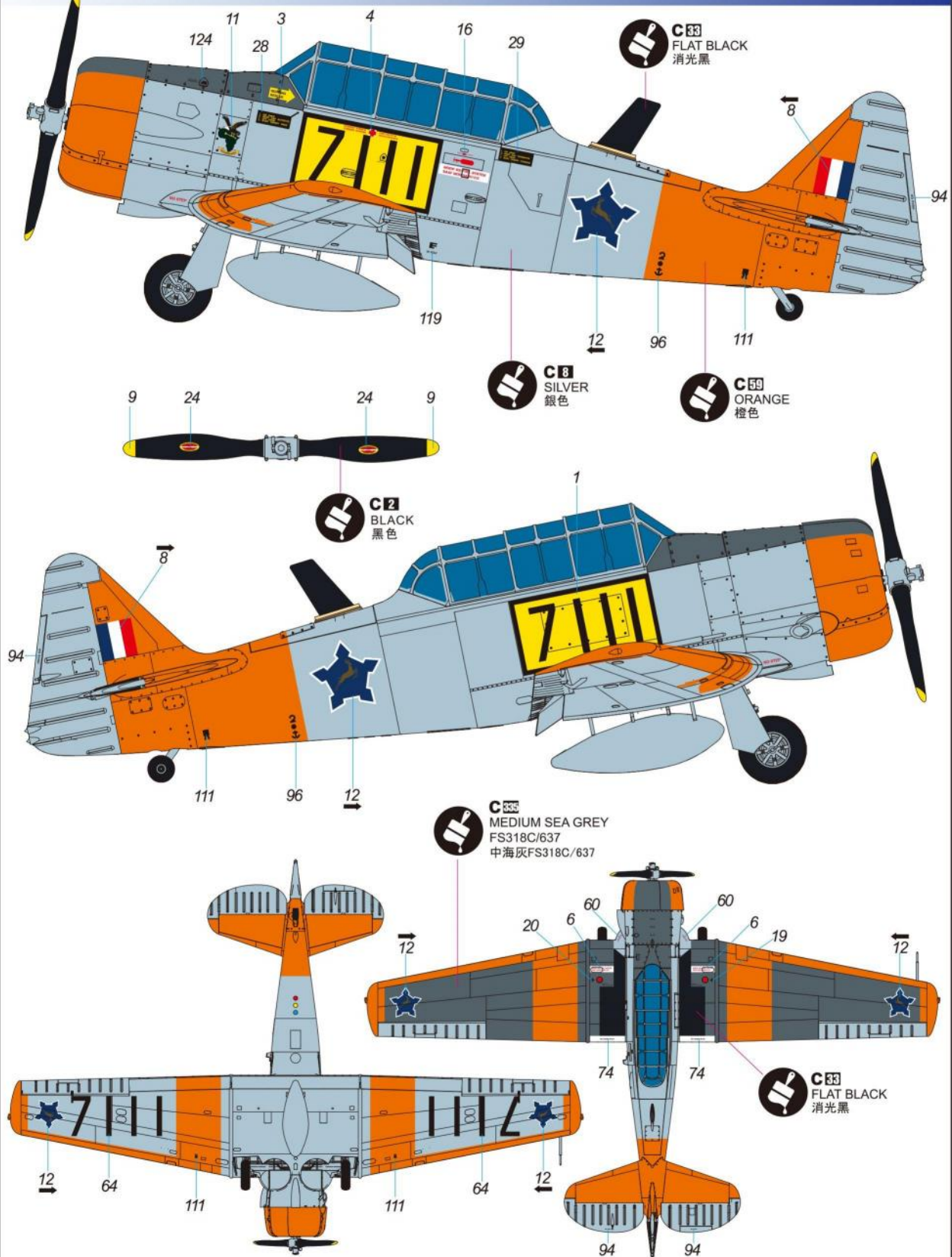




# Painting & marking Guide

塗裝與水貼

South Africa Air Force.

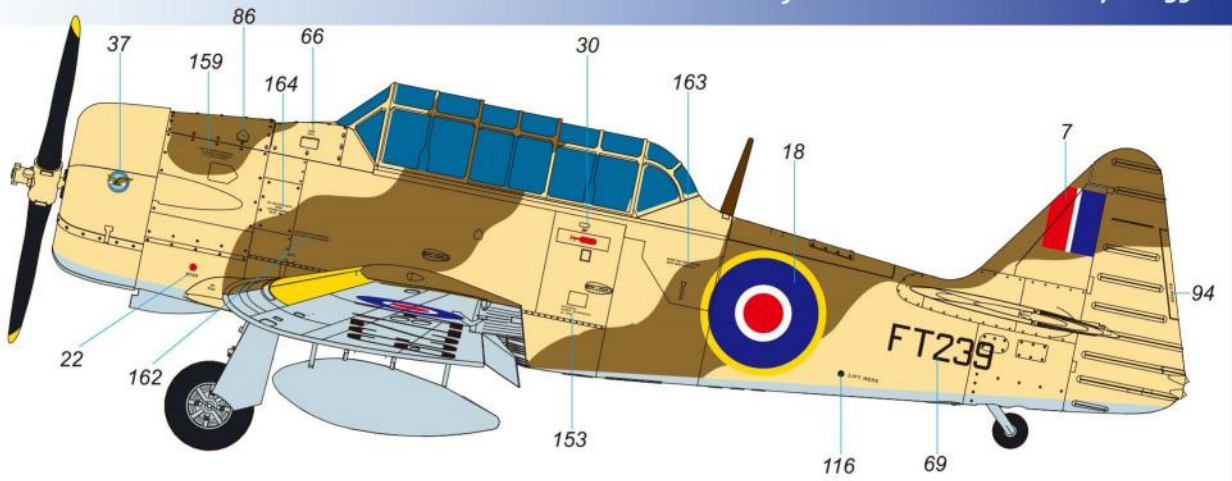




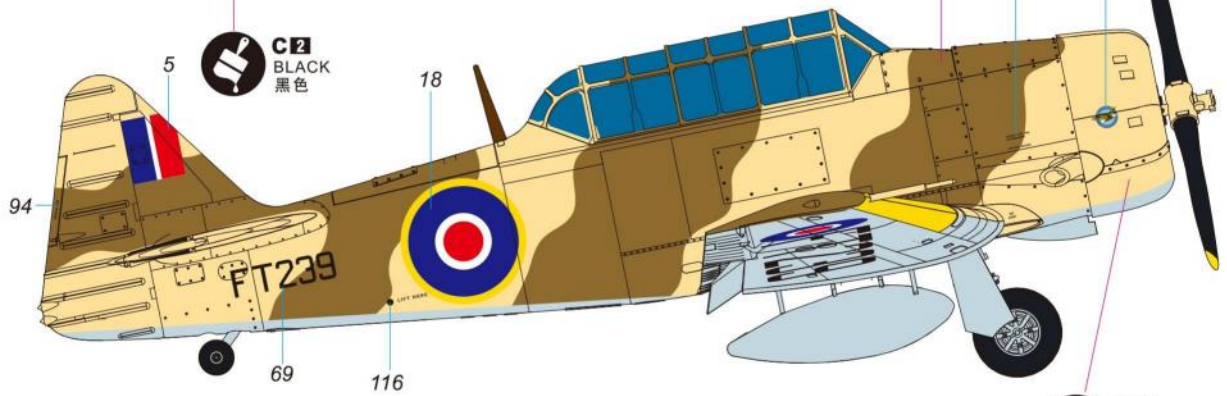
# Painting & marking Guide

塗裝與水貼

Royal UK Air Force. Harvard II, FT-239.

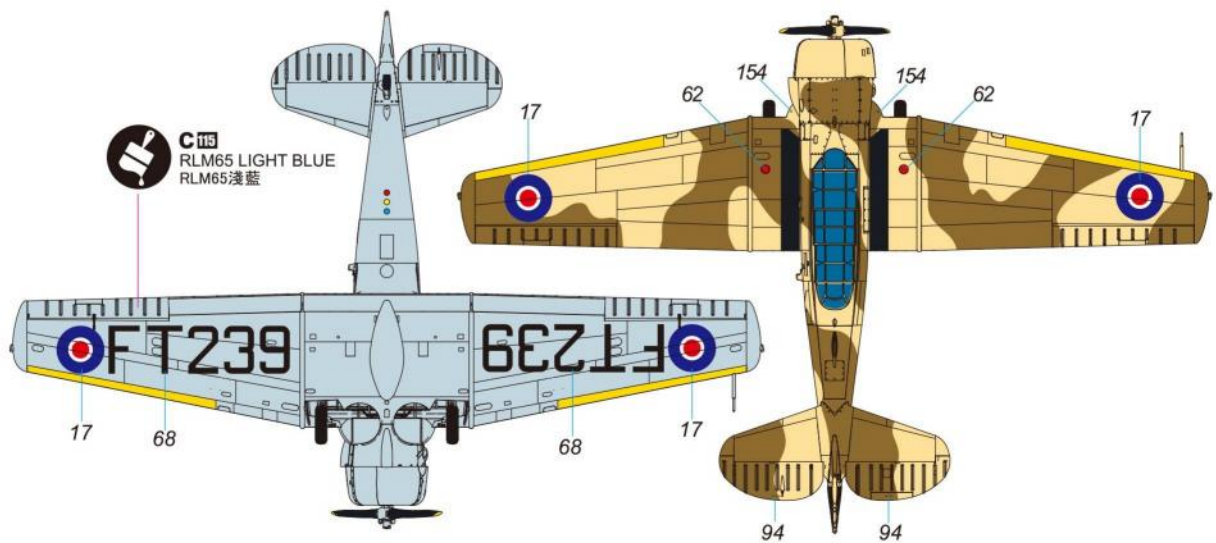


**C13**  
WOOD BROWN  
木棕色



**C2**  
BLACK  
黑色

**C21**  
MIDDLE STONE  
中石



**C115**  
RLM65 LIGHT BLUE  
RLM65淺藍