

Instruction

拼装說明書



1:32 scale

F-86K "セイバードッグ"

F-86K

"SABRE DOG"

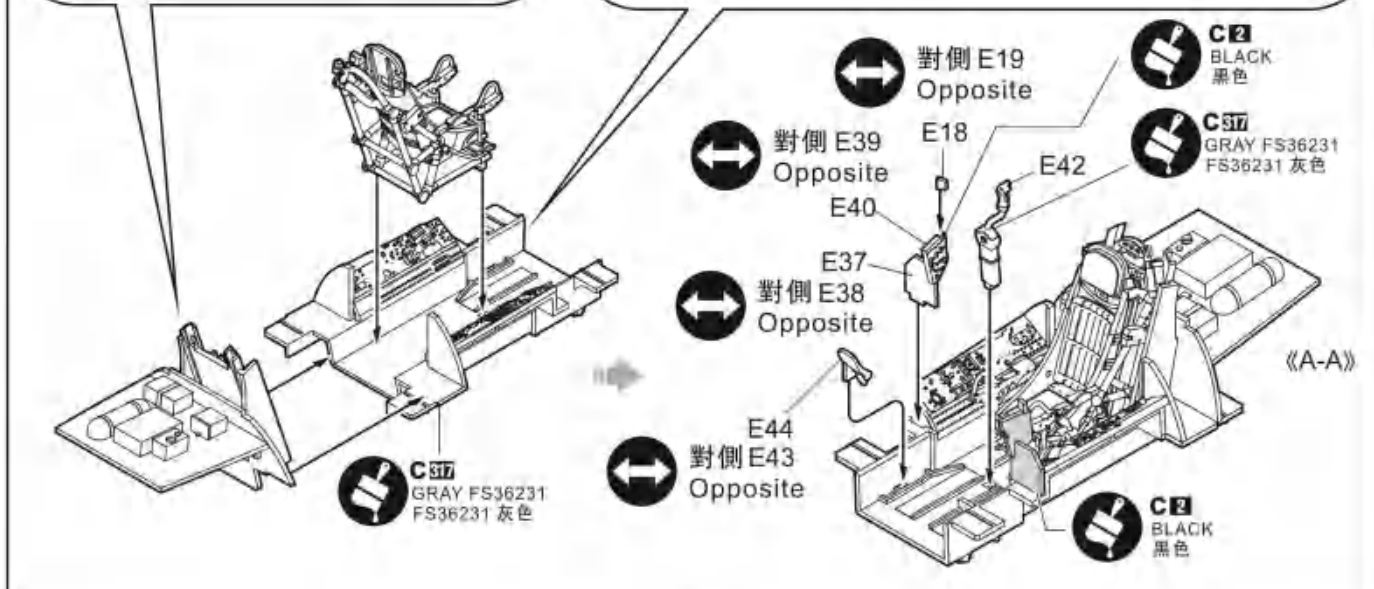
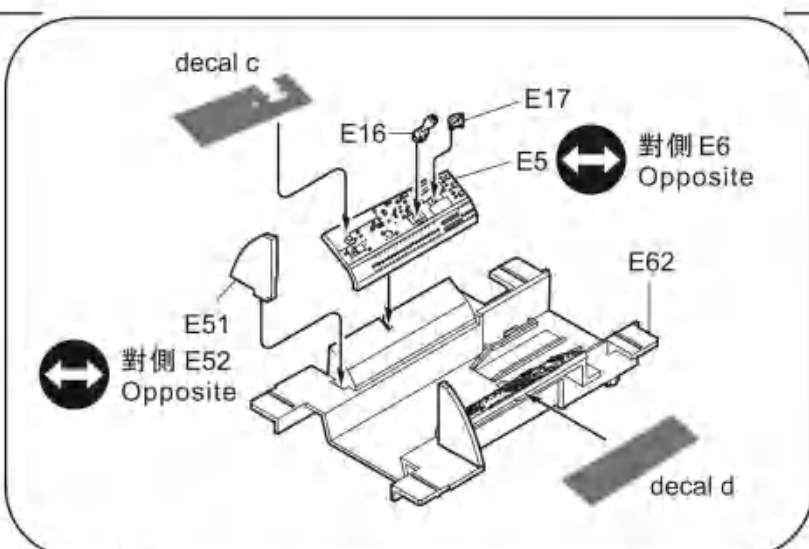
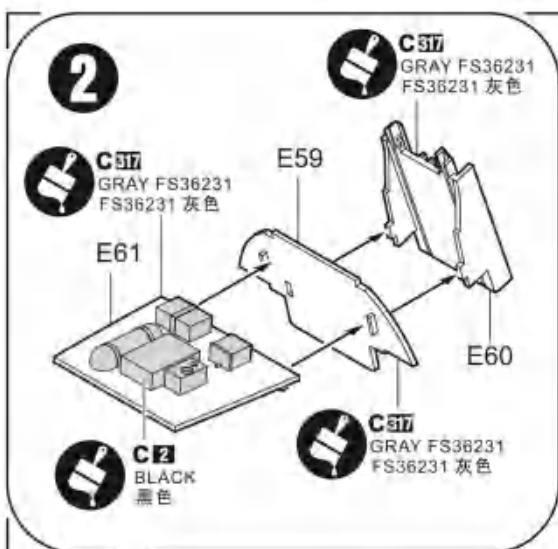
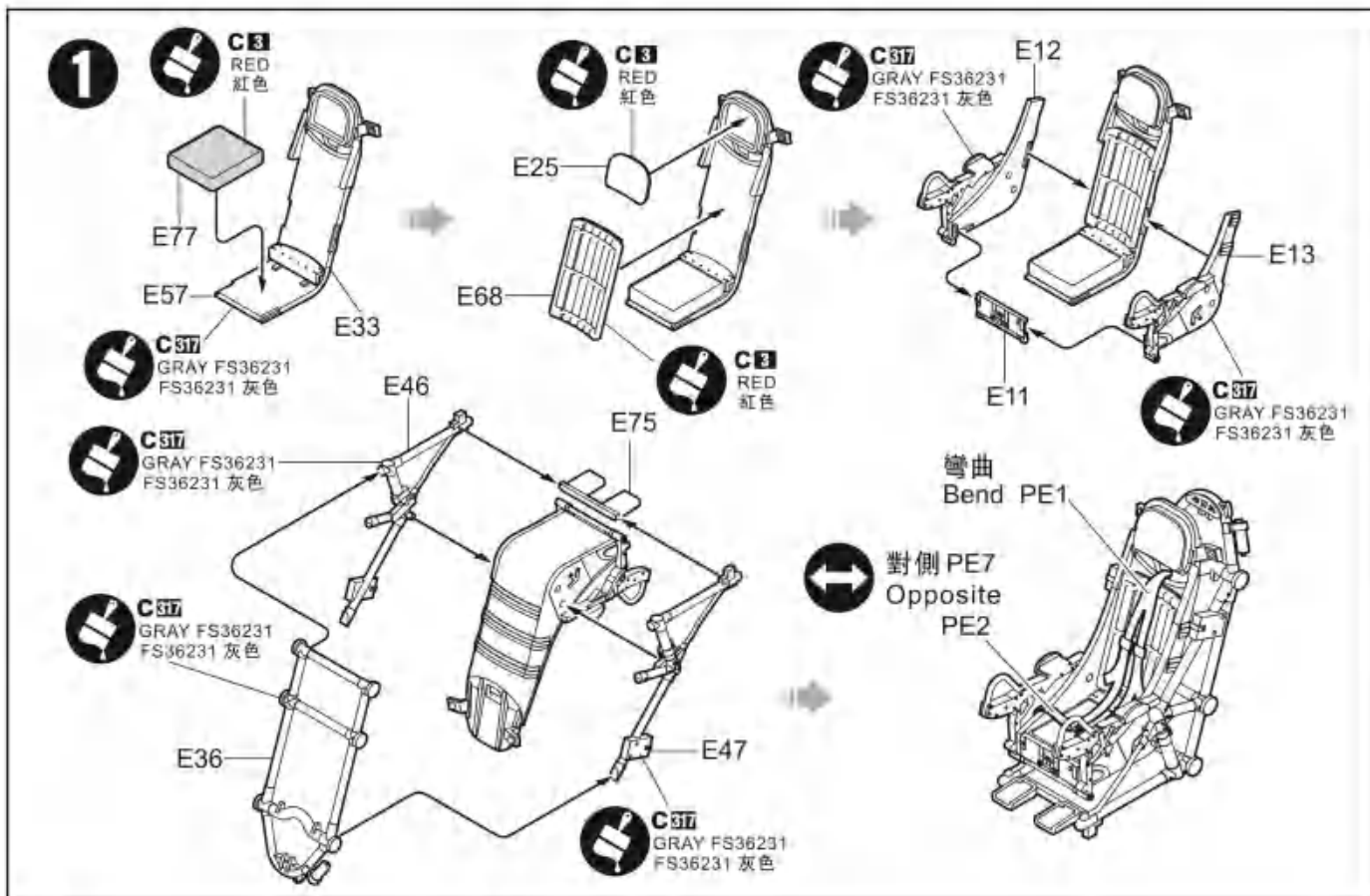


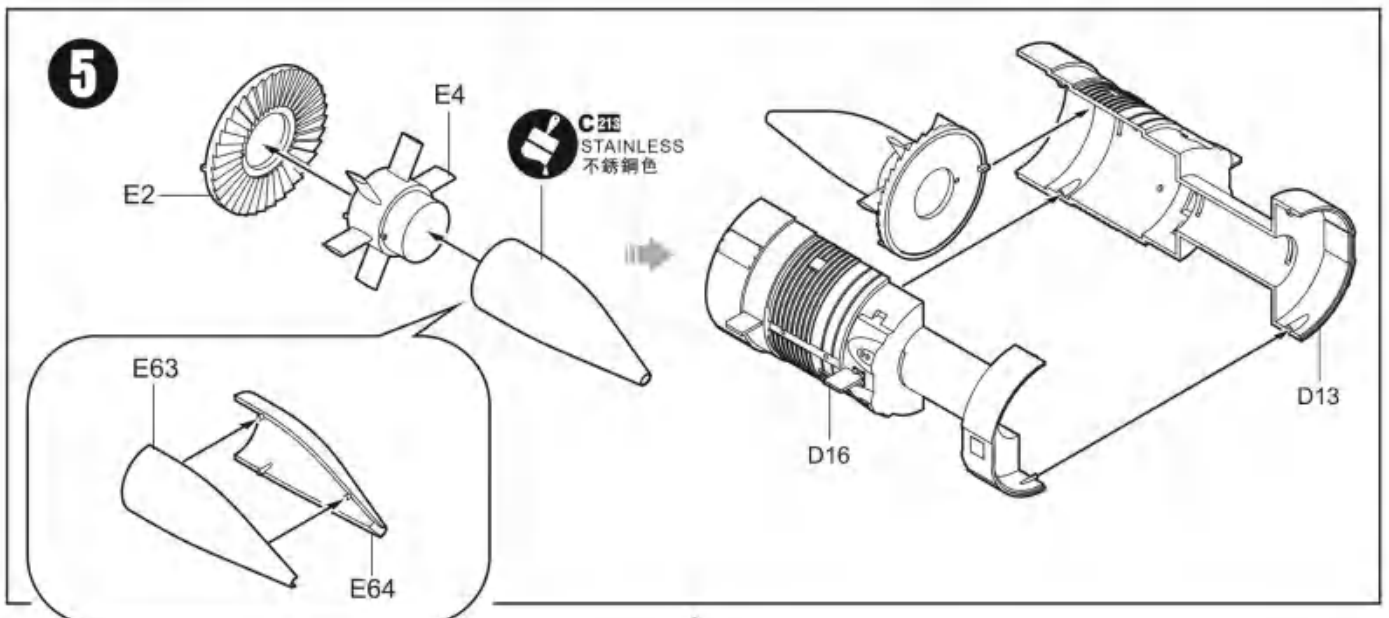
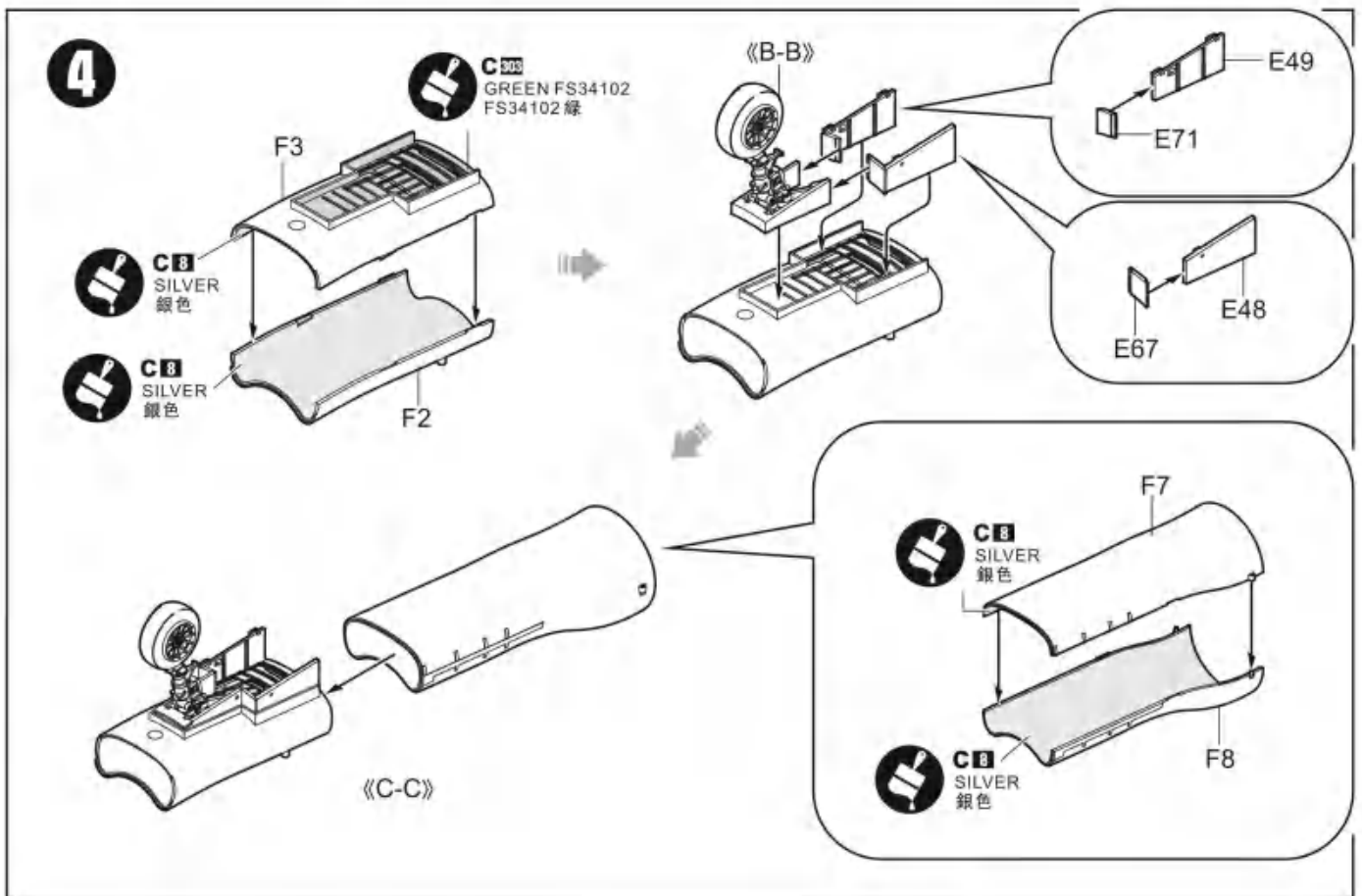
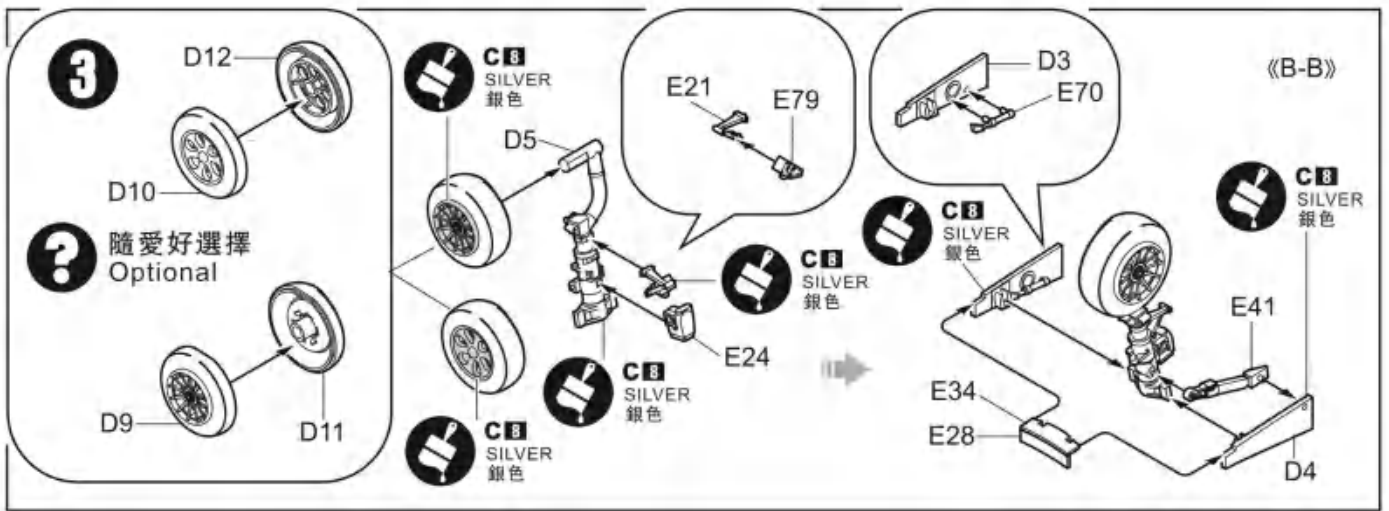
Please visit our web site at
www.kittyhawkmodel.com



F-86K "佩刀狗" 全天候戰鬥機

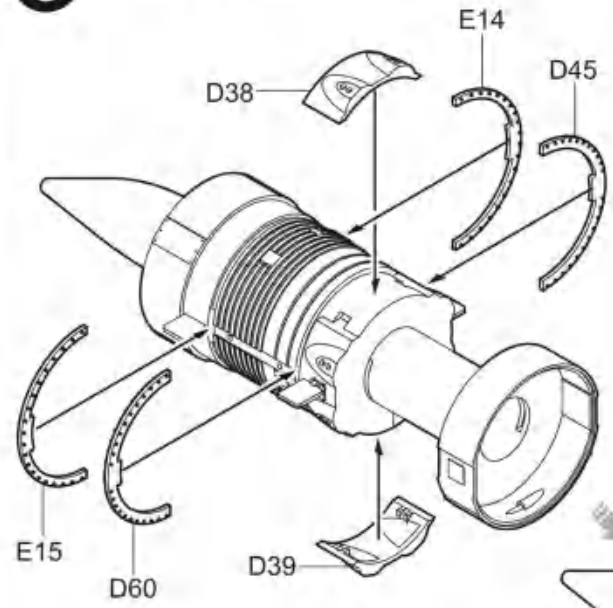
ZM32008R



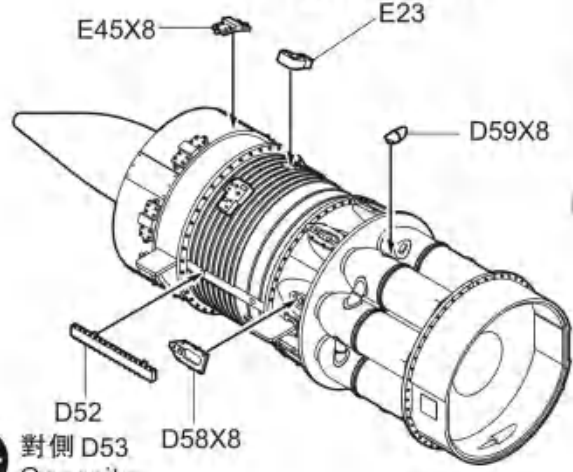


6

《D-D》



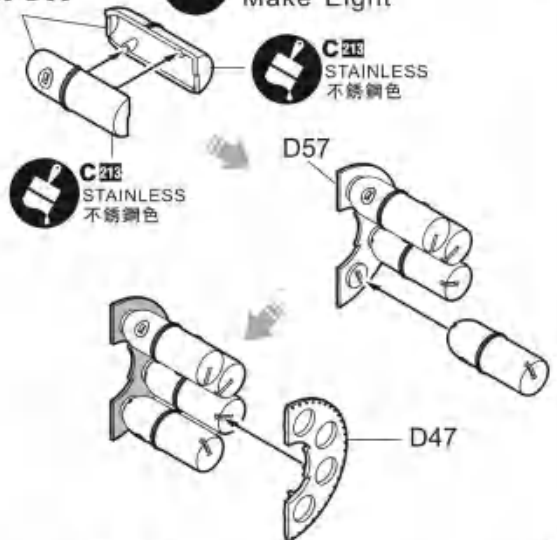
對側 E22
Opposite
E23



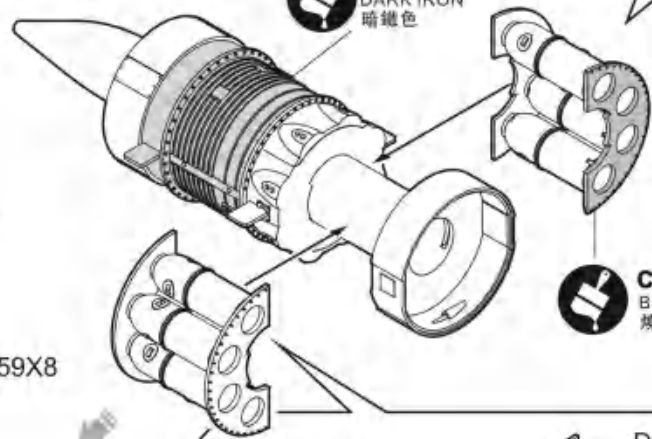
對側 D53
Opposite

D20-D35

x8 制作八組
Make Eight

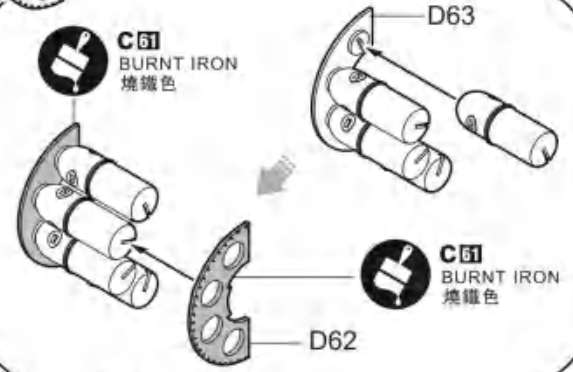


C217 DARK IRON 暗鐵色

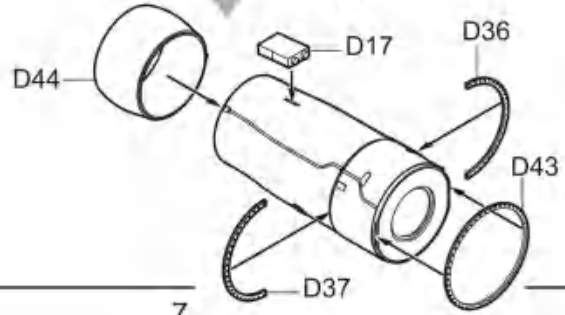
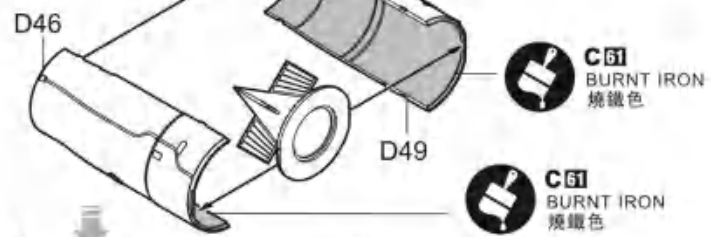
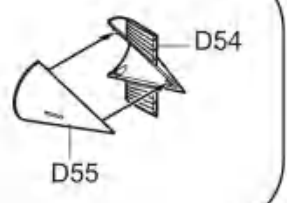
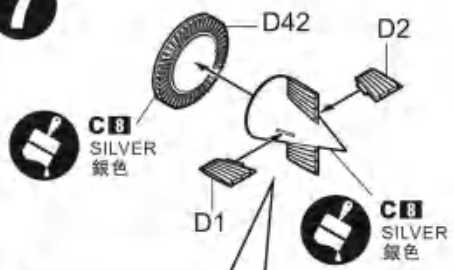


C61 BURNT IRON 燒鐵色

C61 BURNT IRON 燒鐵色

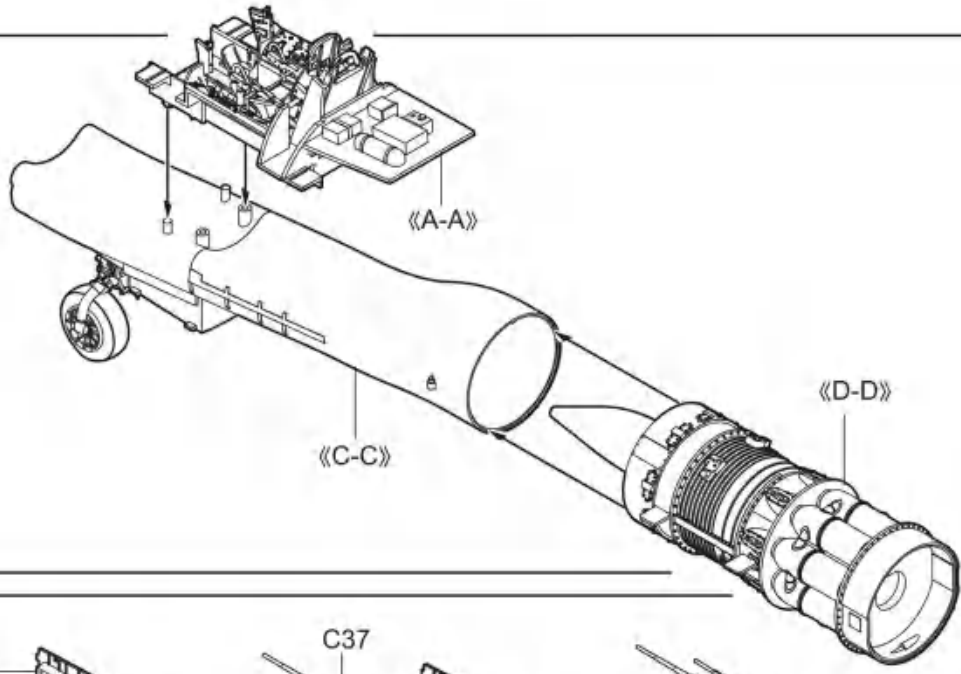


7

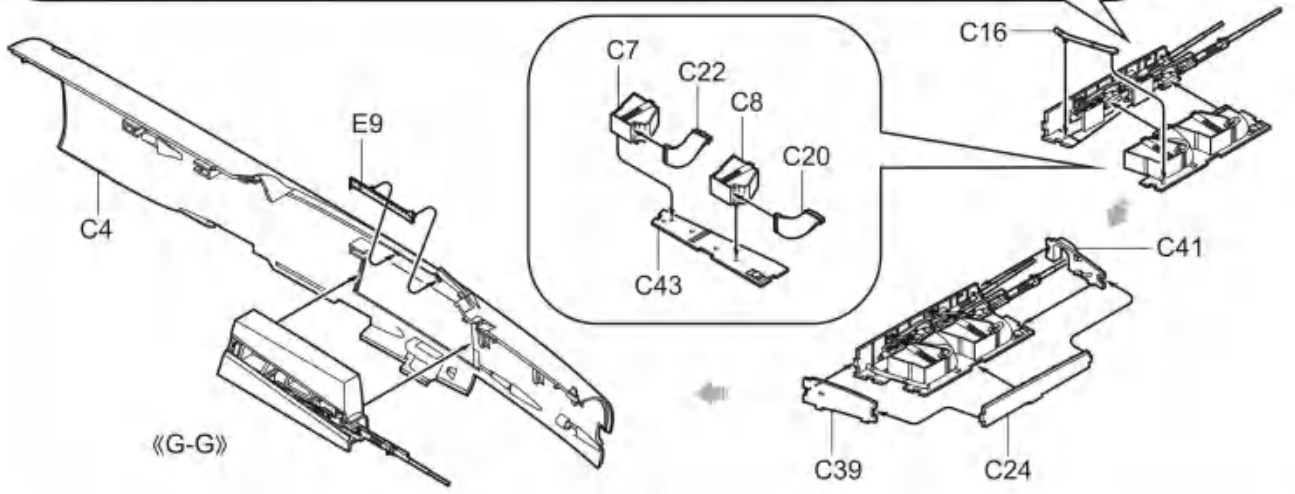
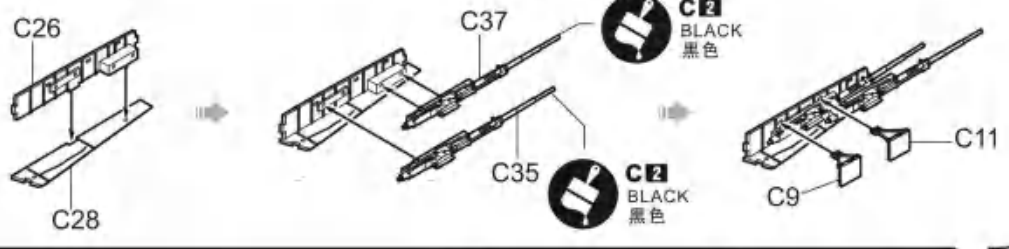
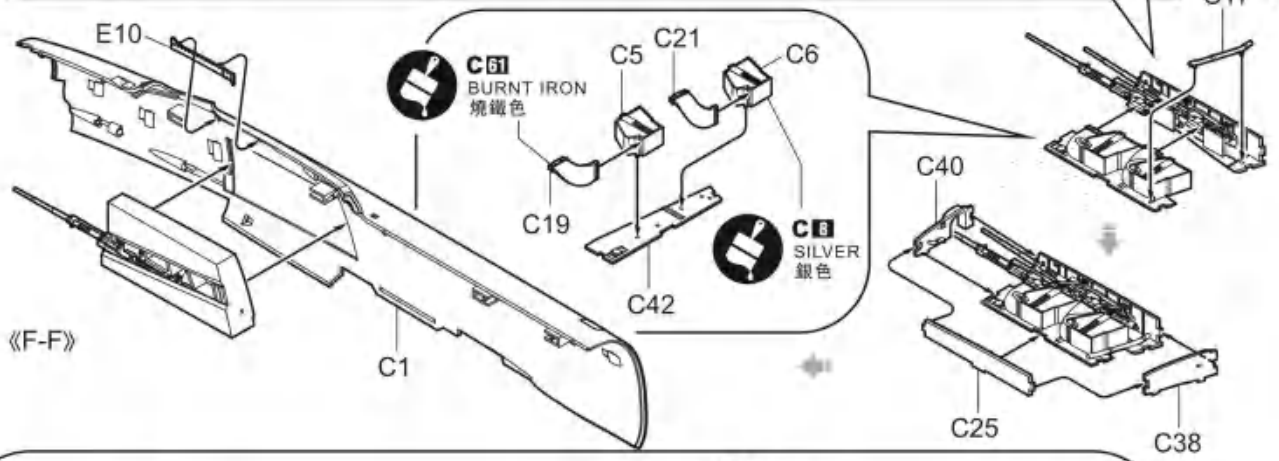
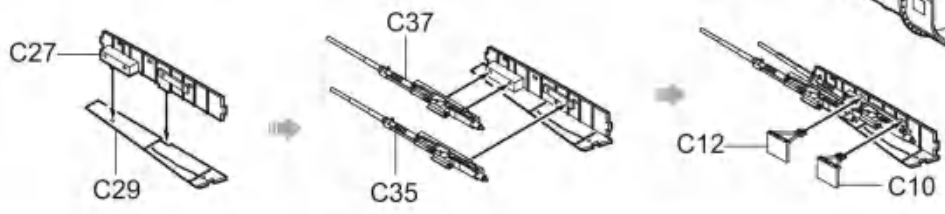


《E-E》

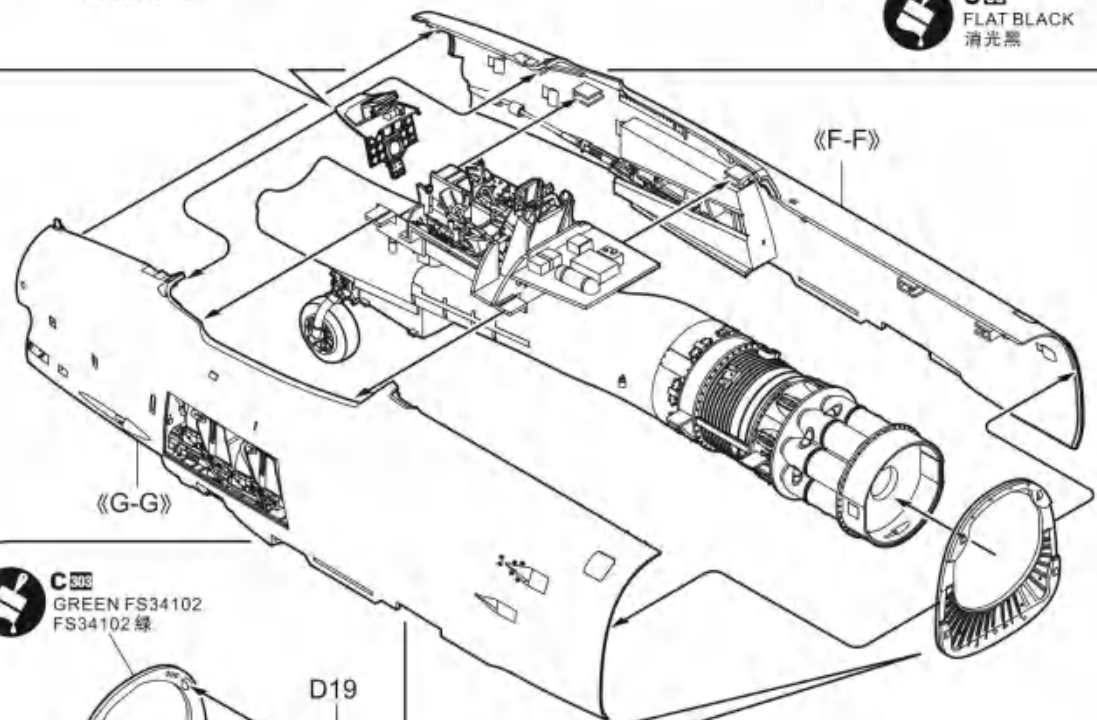
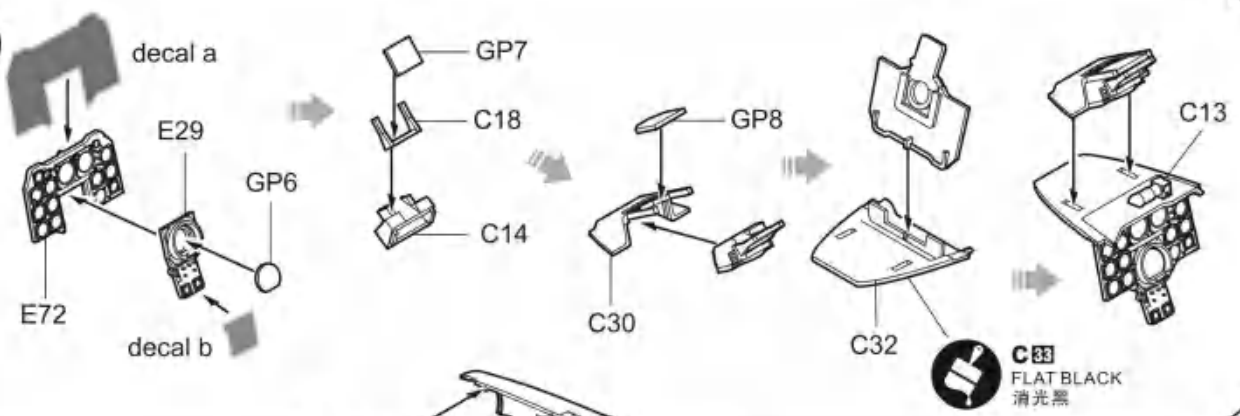
8



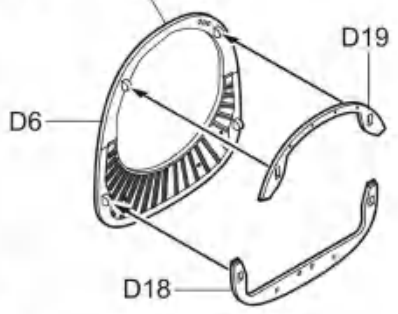
9



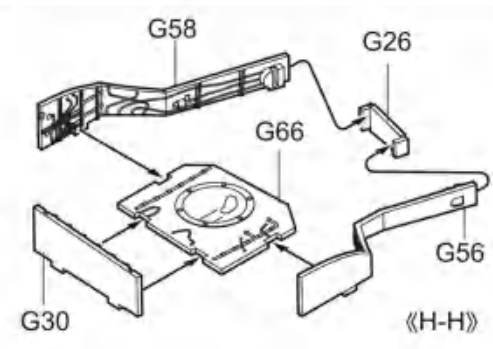
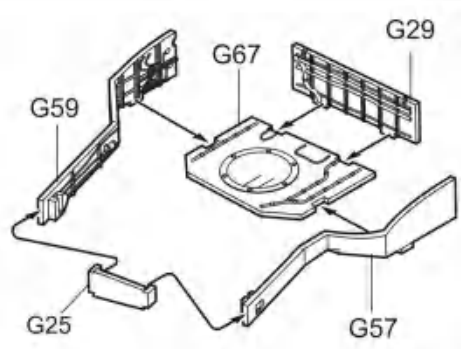
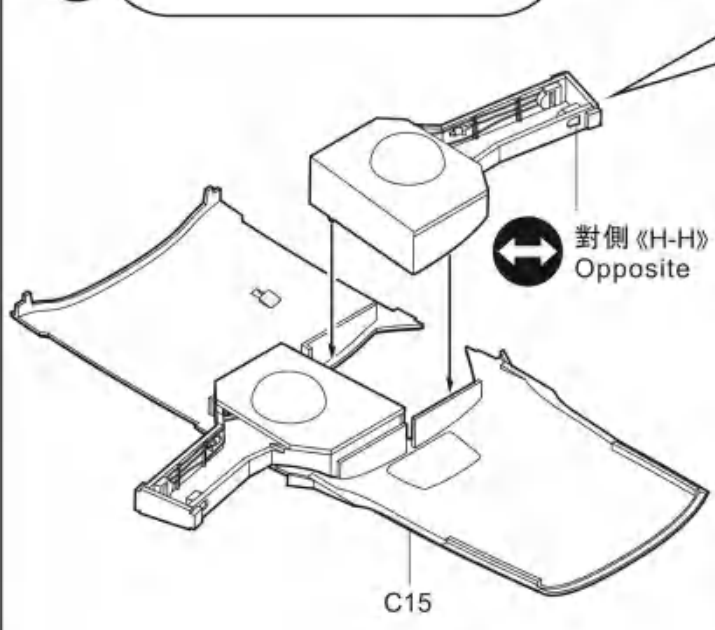
10



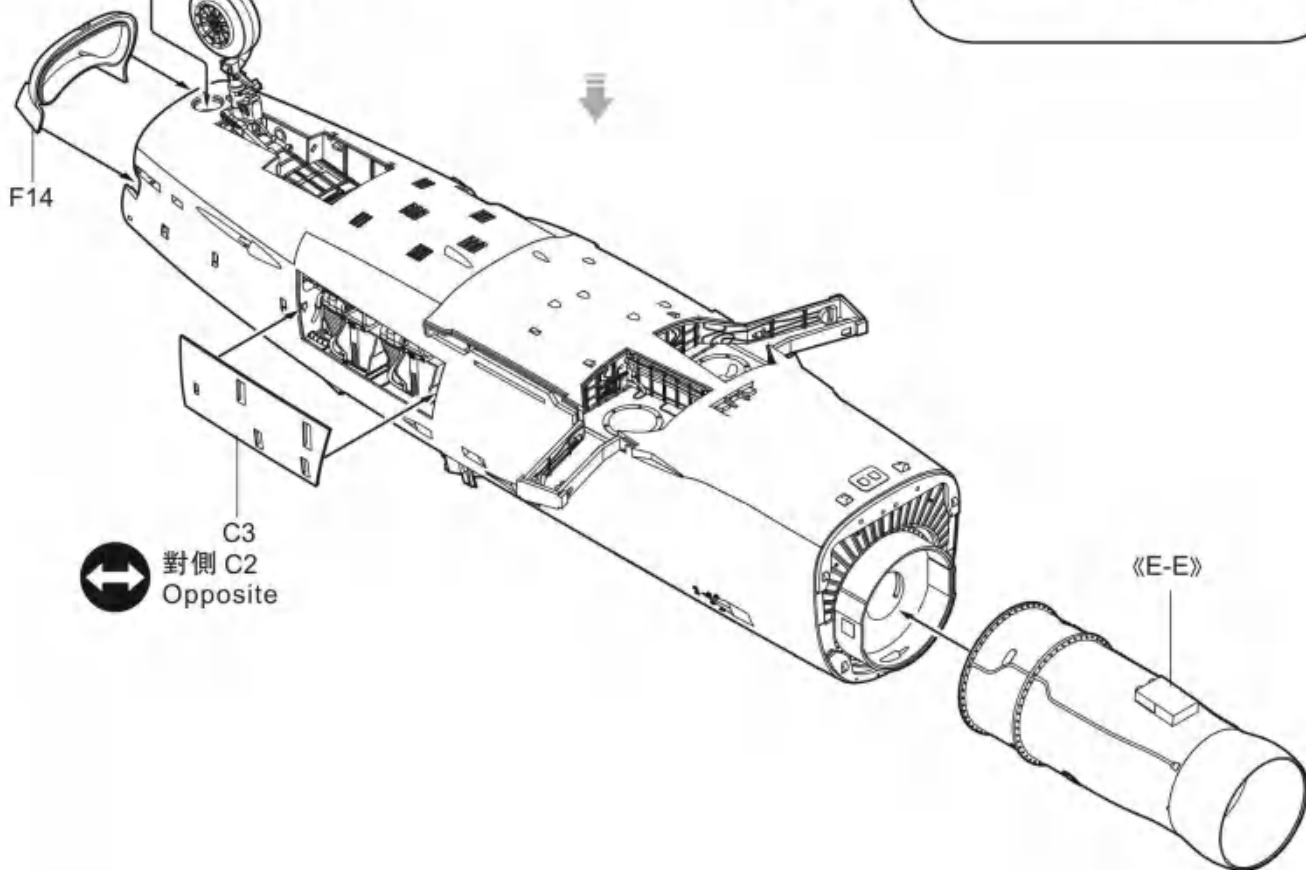
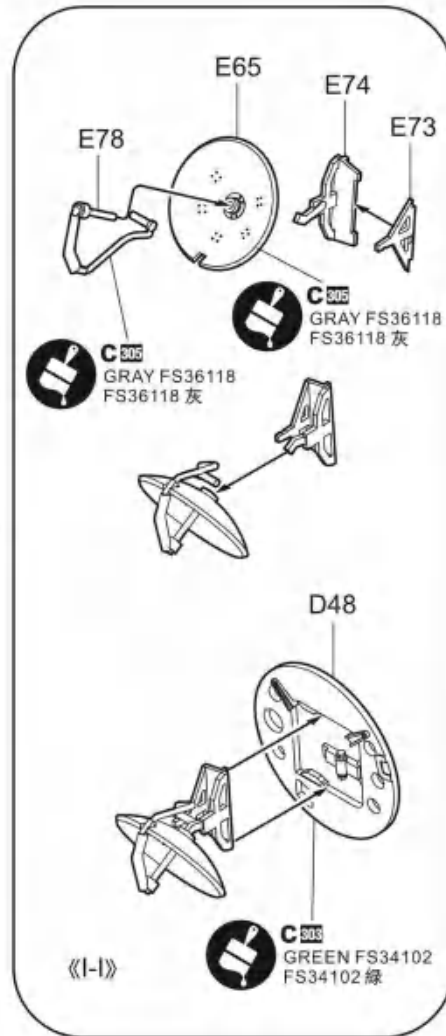
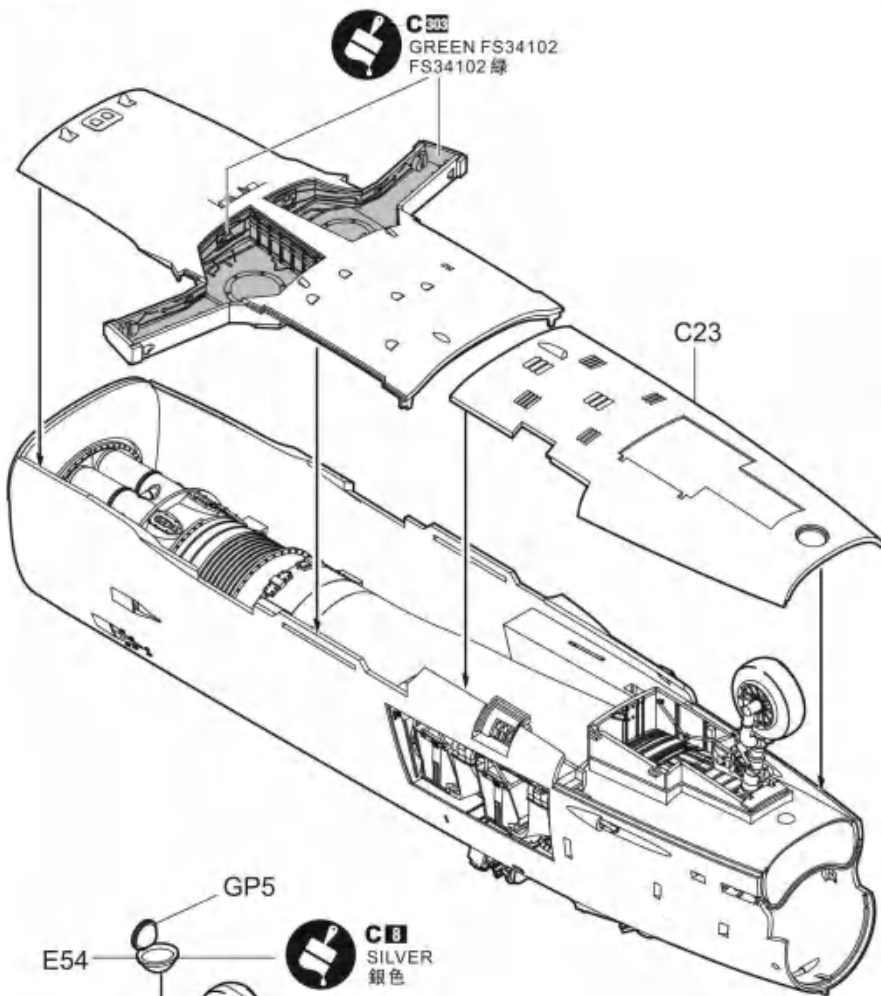
C308
GREEN FS34102
FS34102 綠



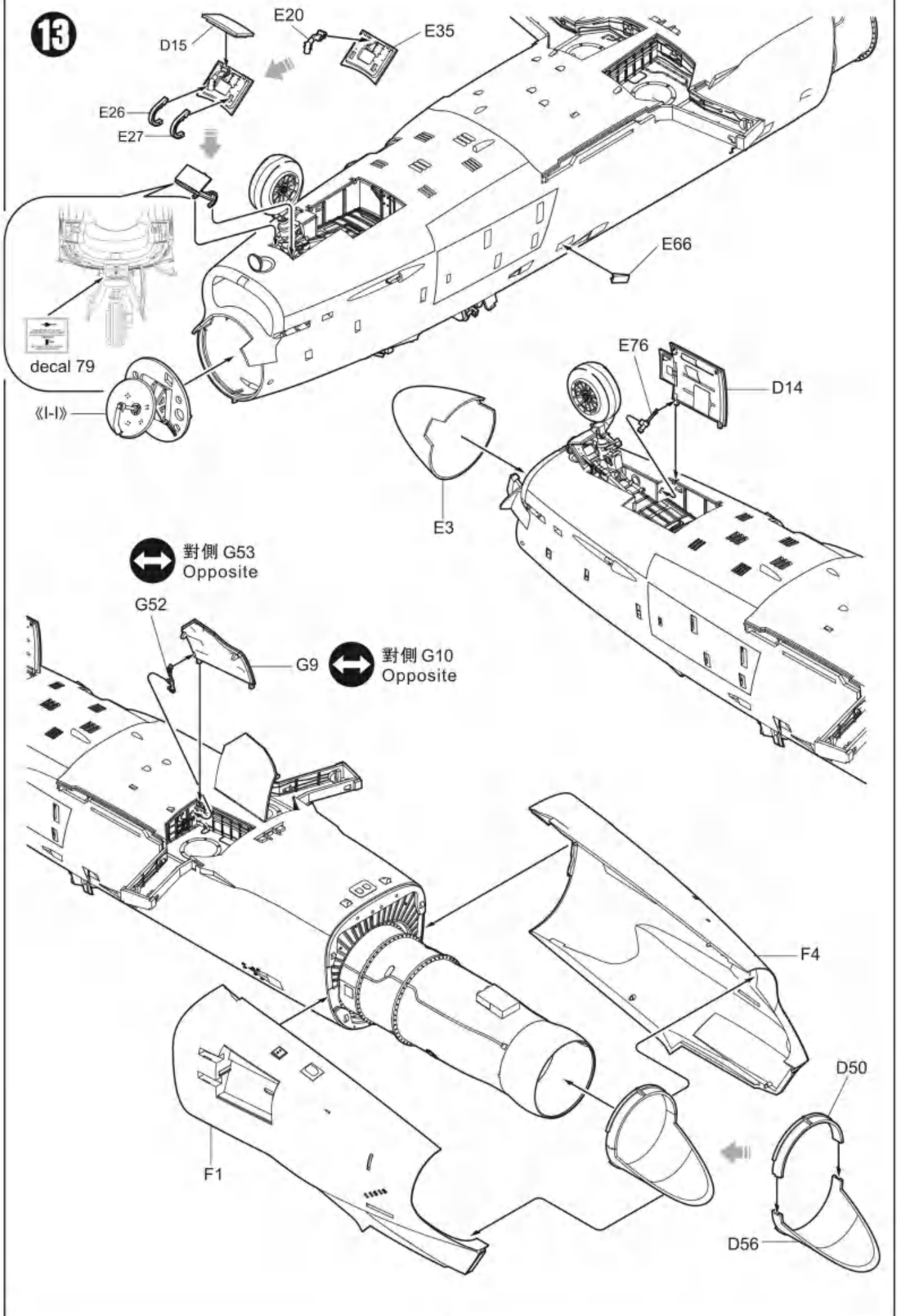
11



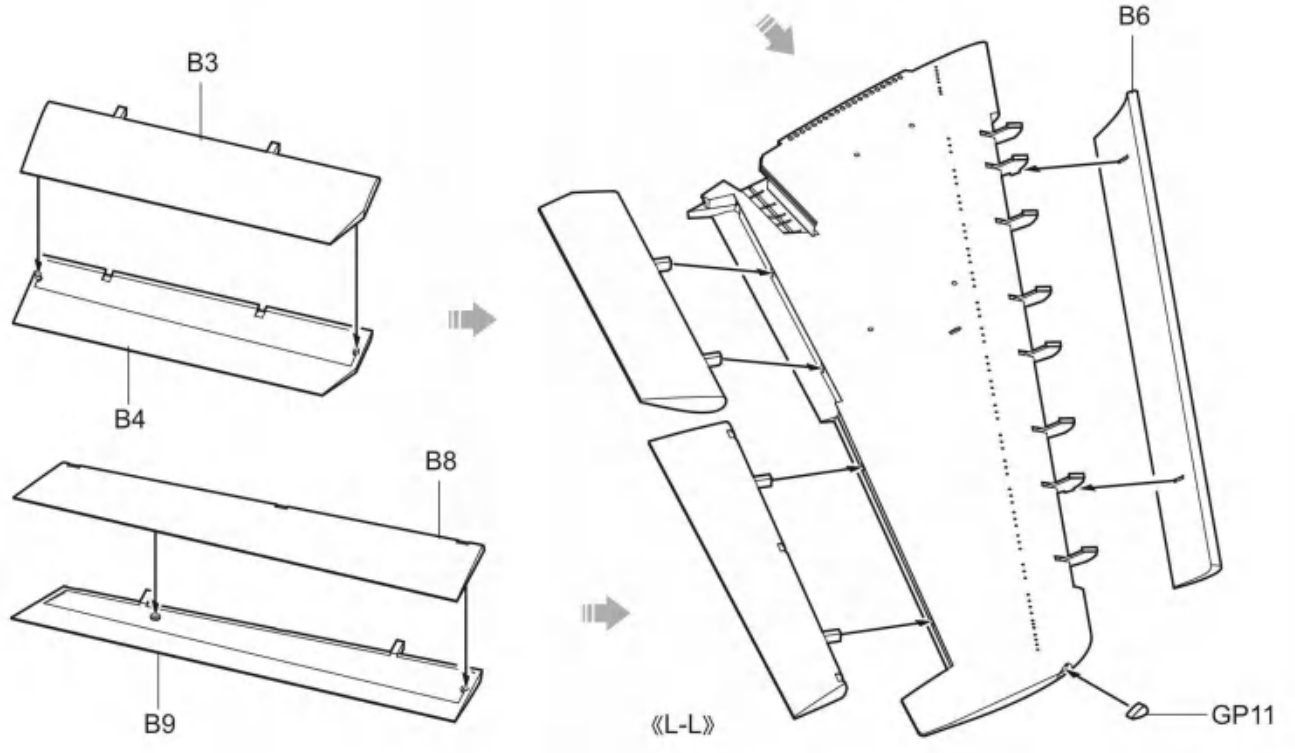
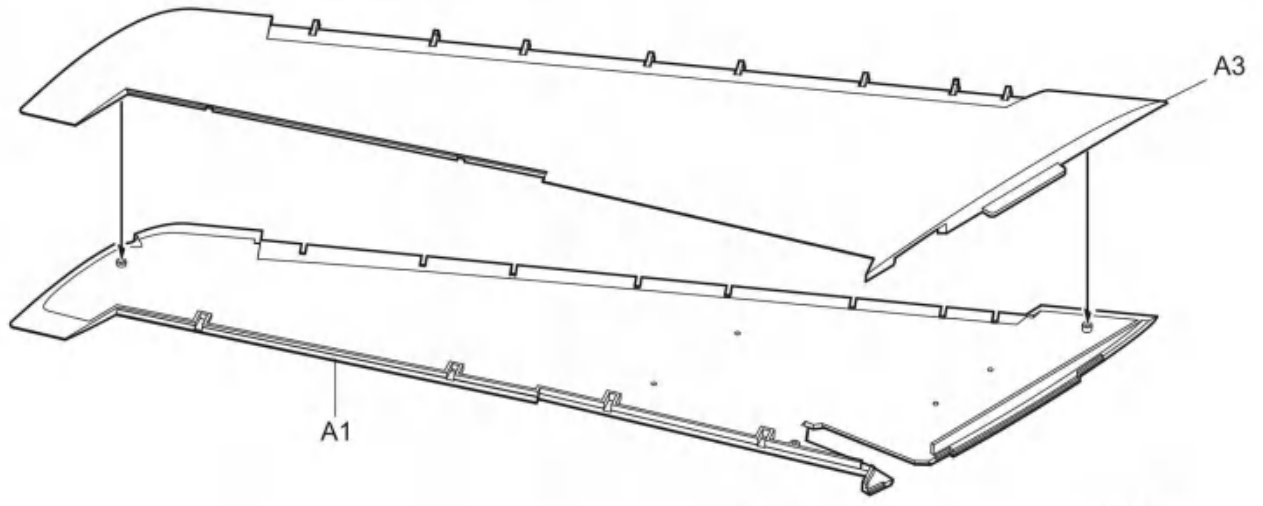
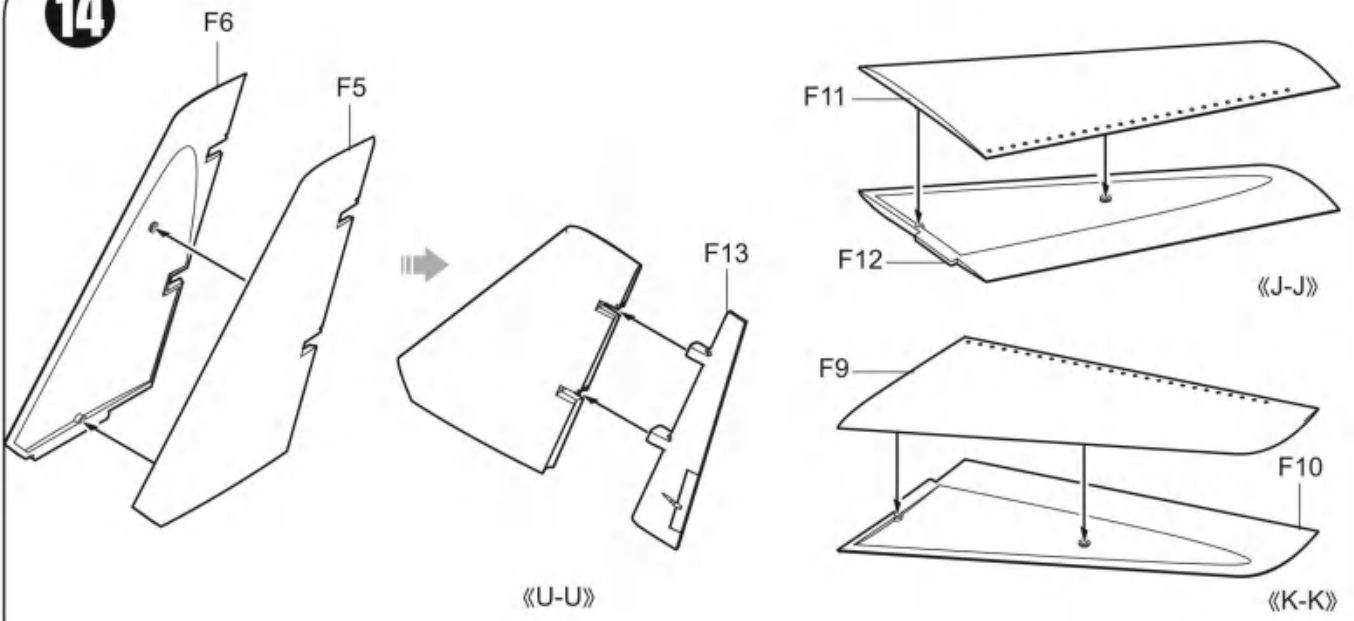
12

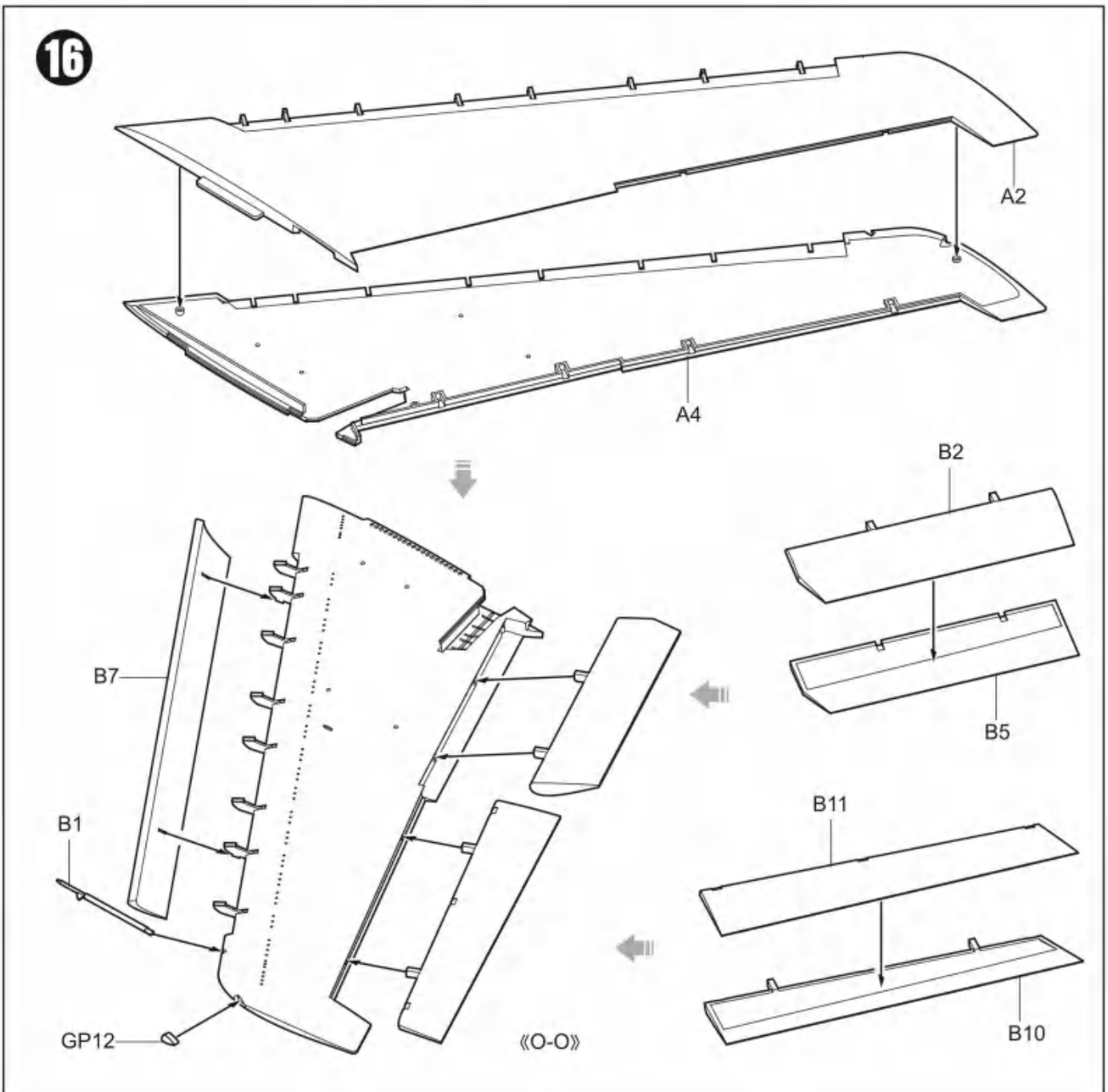
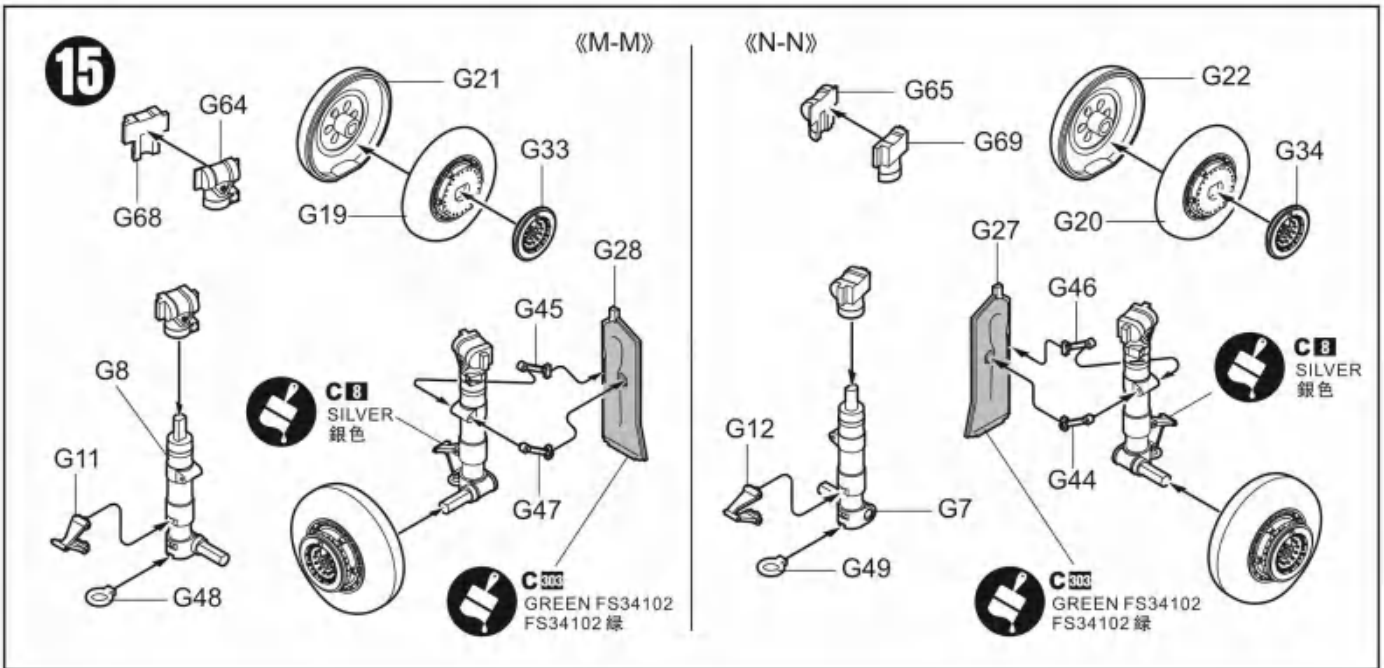


13

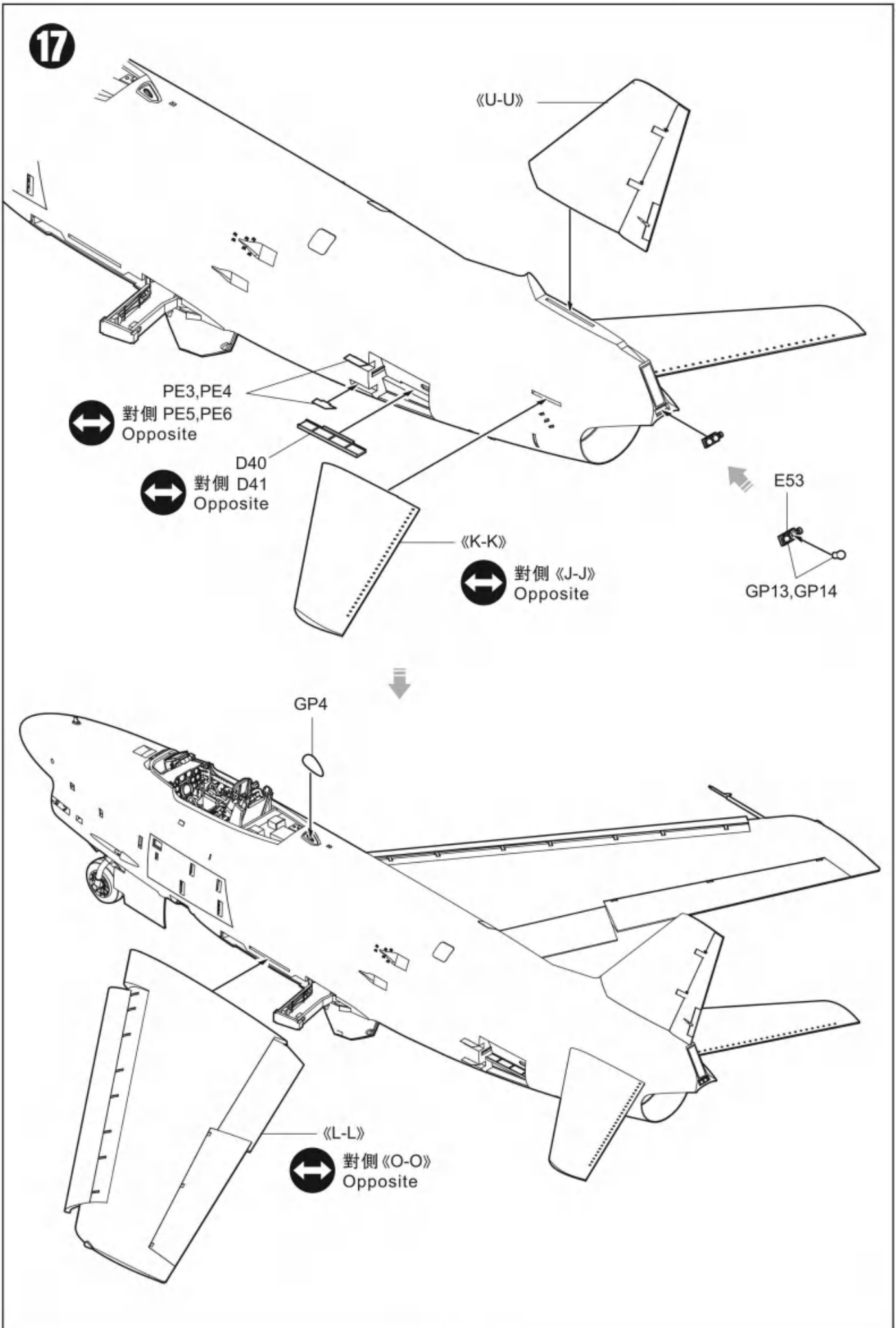


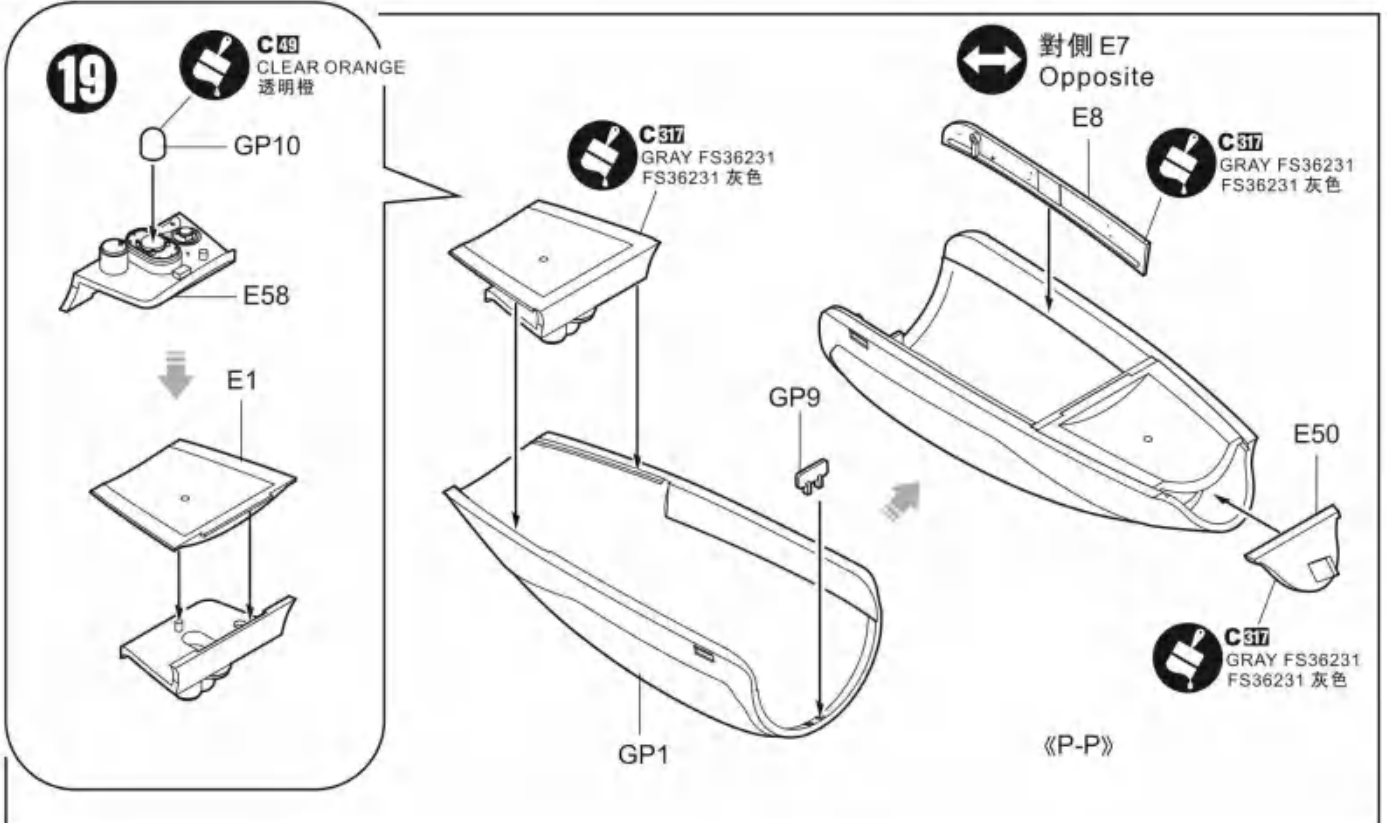
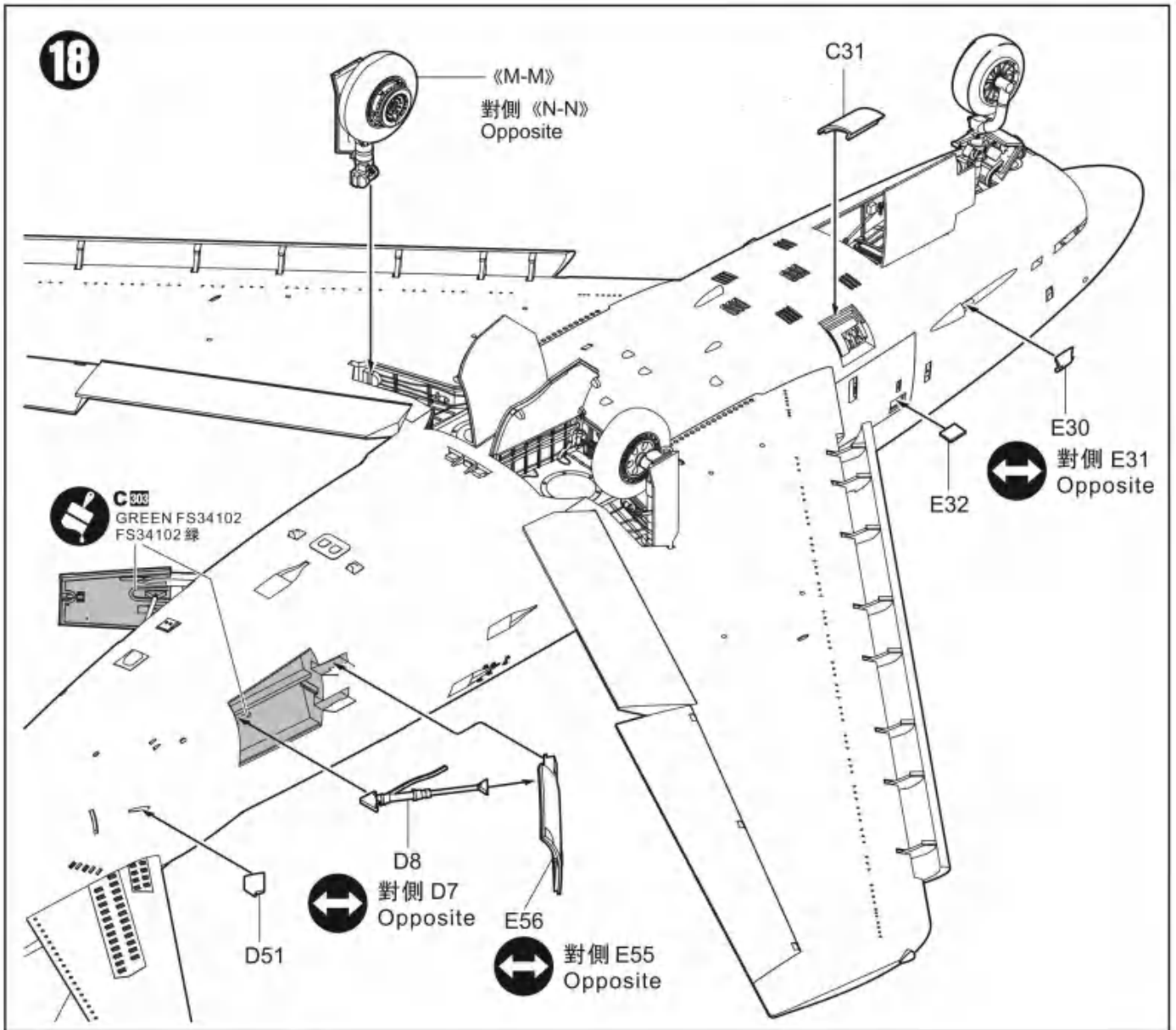
14



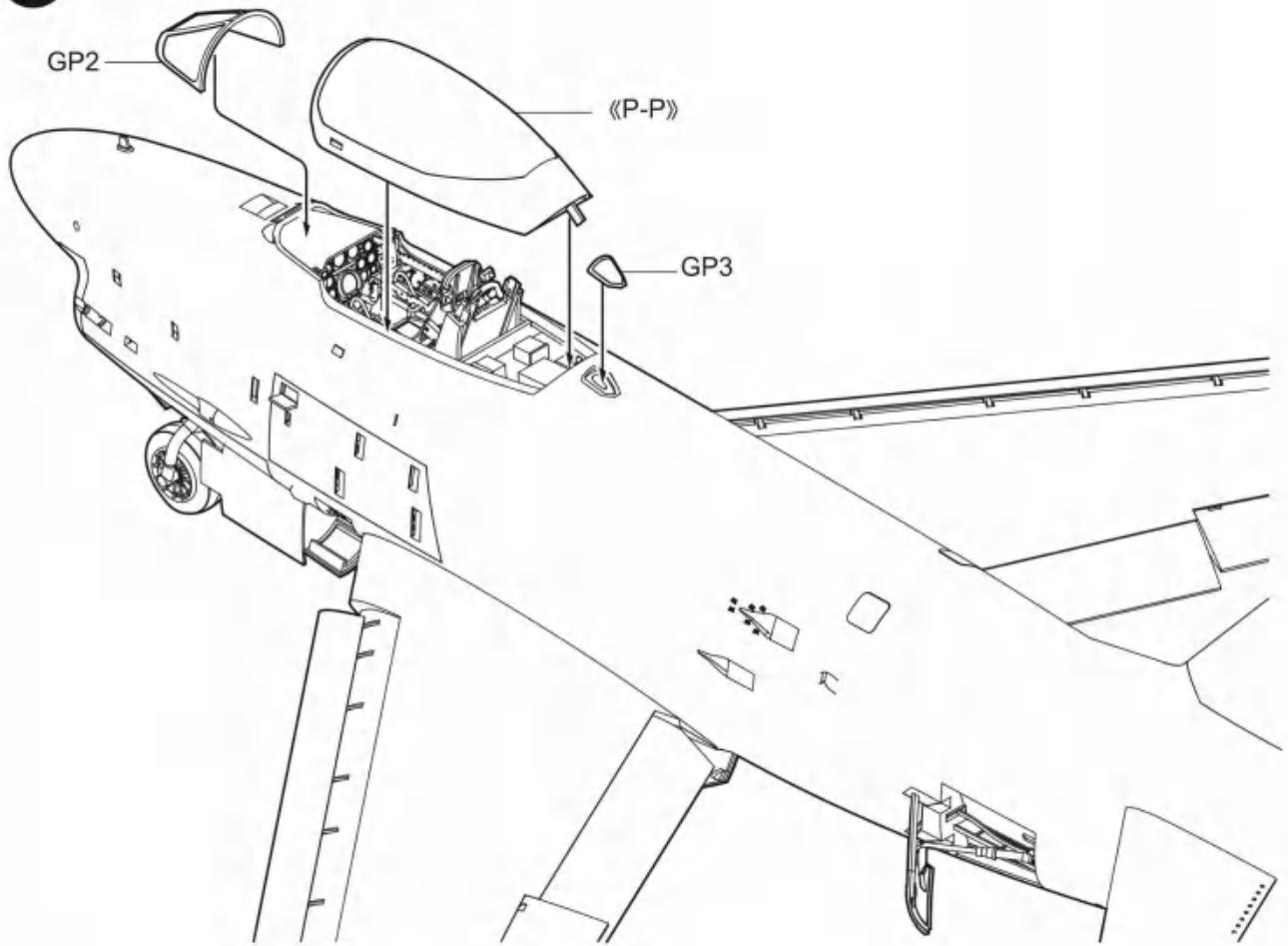


17

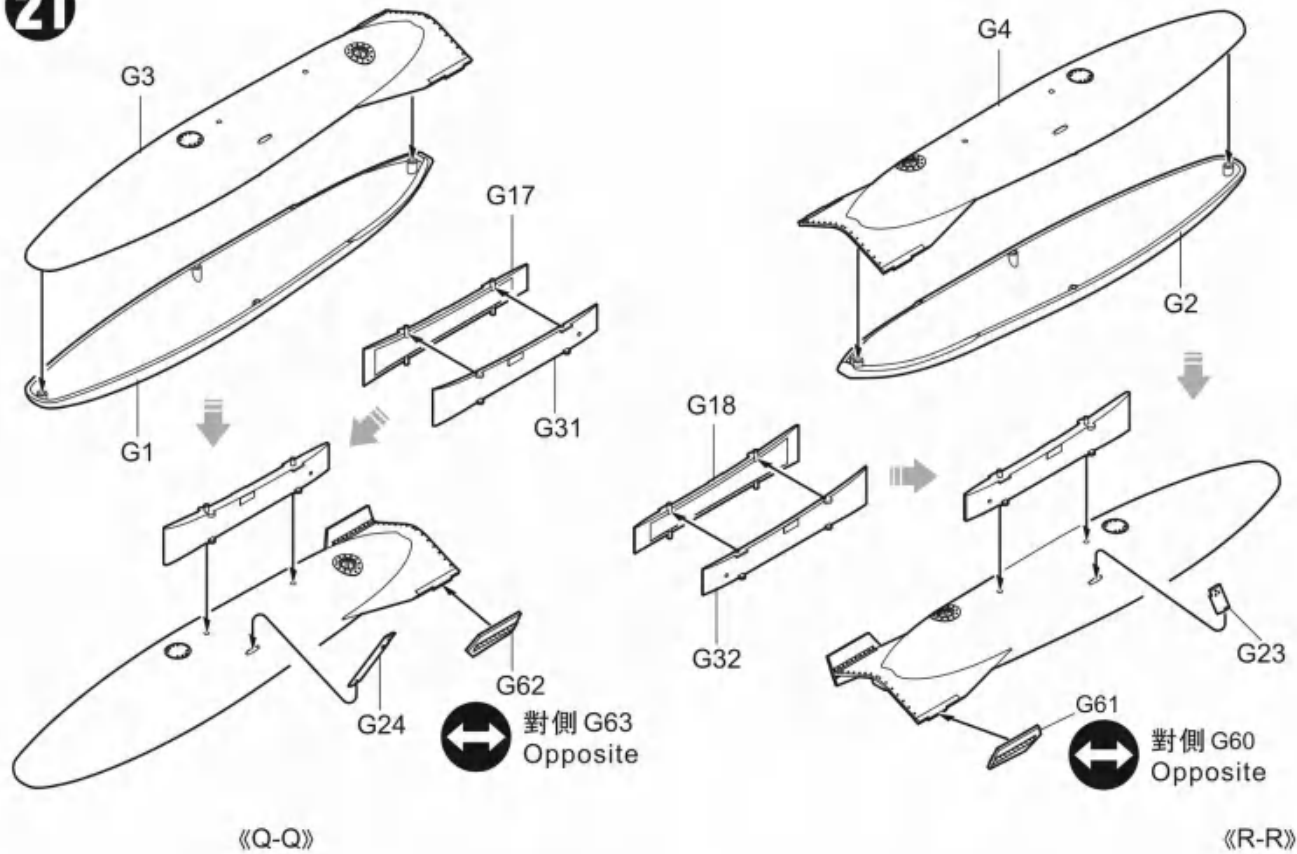




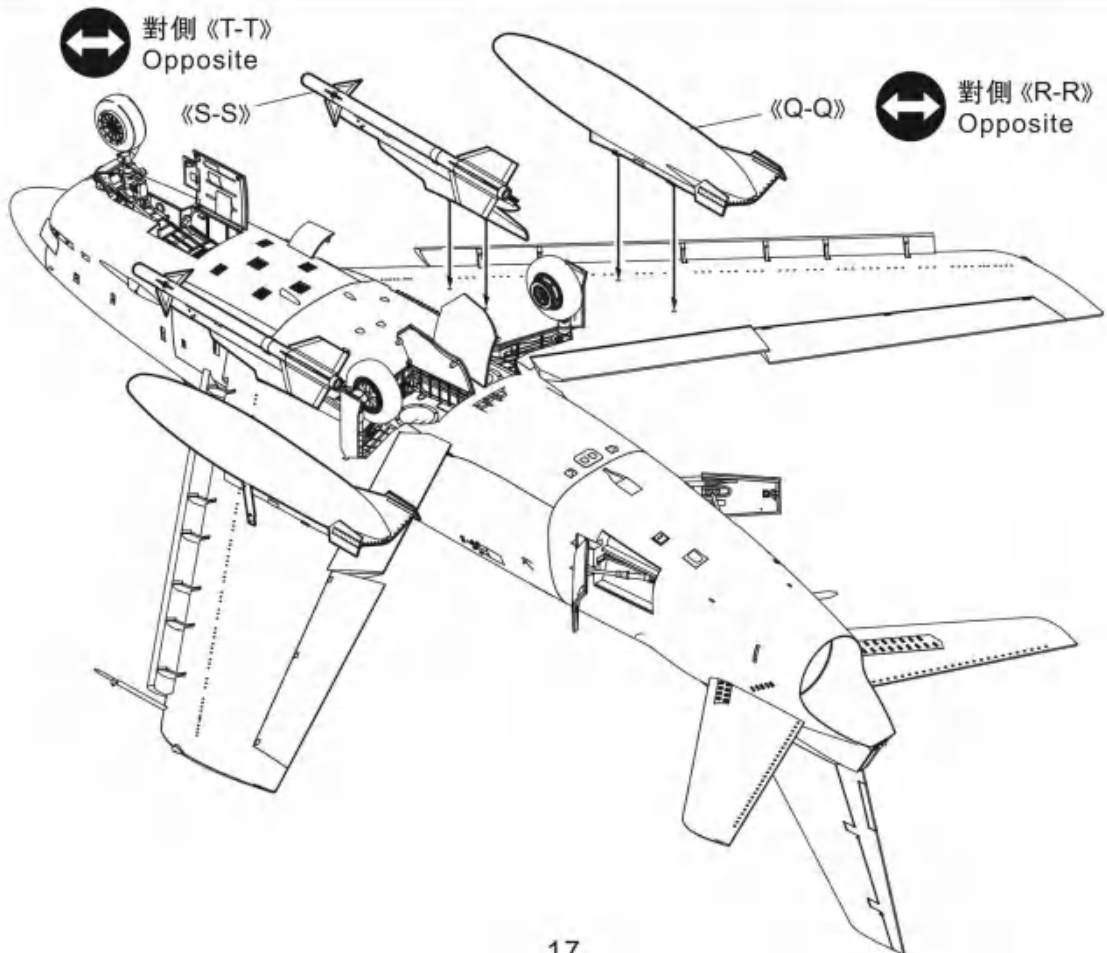
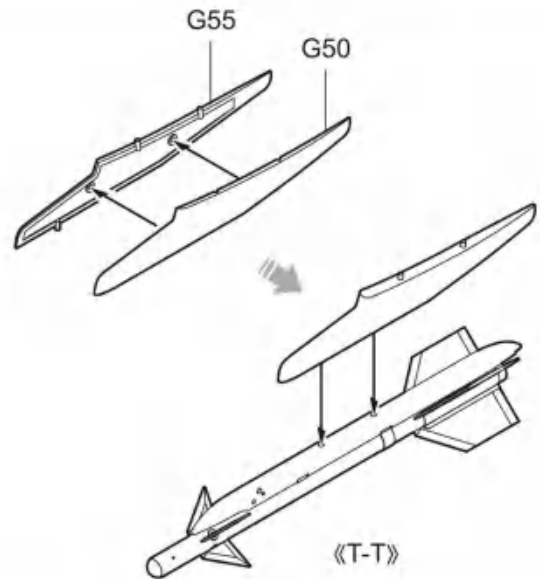
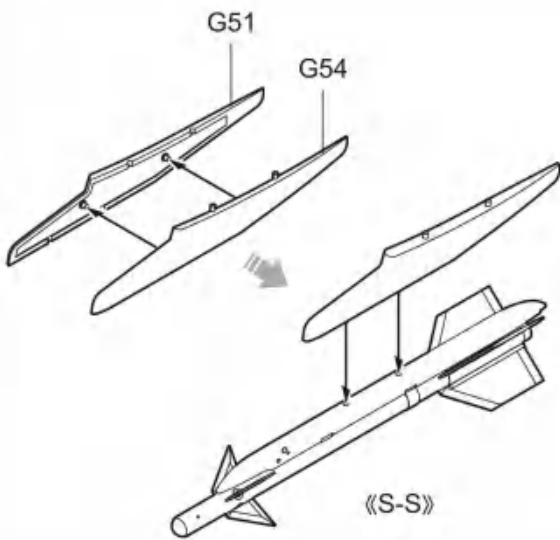
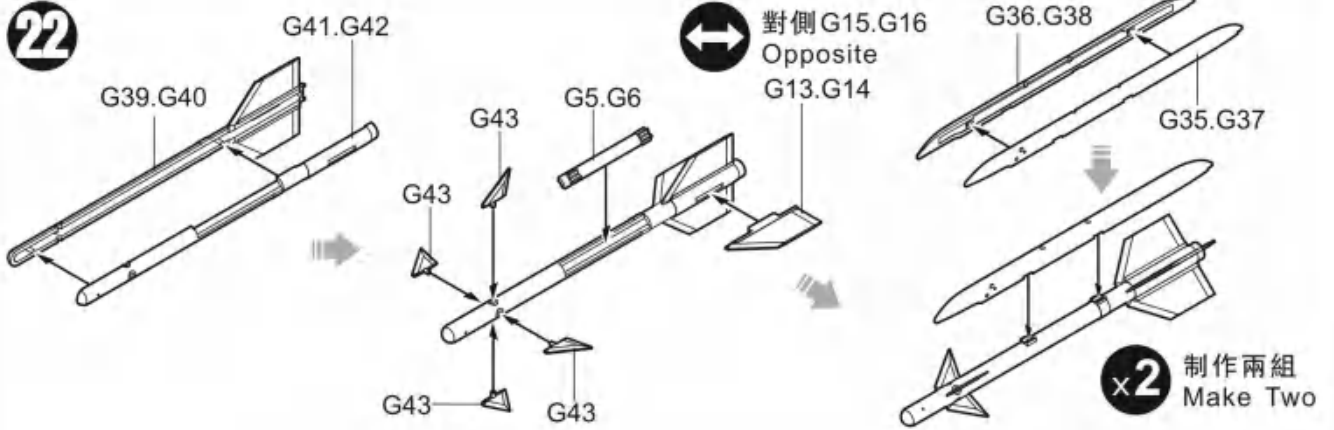
20



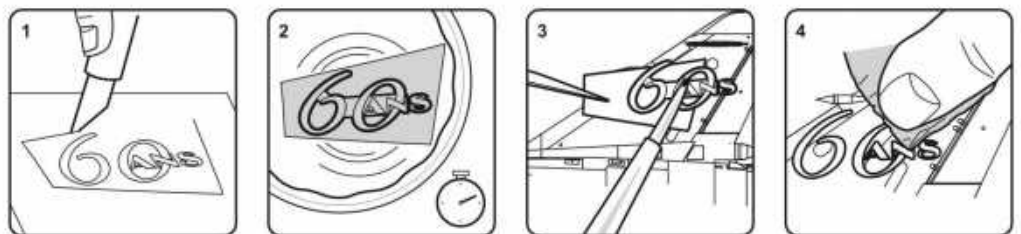
21



22



DECAL APPLICATION



1. Cut off decal from transfer sheet.
2. Dip the decal in water for about 10 seconds (may take more seconds if in low temperature), and place on a clean cloth.
3. Hold the backing paper edge and slide decal onto the model. Then move decal into position by wetting decal with brush or finger.
4. Press decal gently down with a soft cloth until excess water and air bubbles are gone.



READ BEFORE ASSEMBLY

在組合您的模型之前，請充分閱讀本冊說明書。組合模型您需要如下物品（需另購）：模型膠水；一把模型鉗或一把用于將零件從框架上切下的模型筆刀。筆刀同樣可以用來修整零件的合模綫。祝您制作愉快！

Before assembling your model kit, read through these instructions carefully. To assemble this kit, you will need Plastic glue (not include). A pair of side cutter or a sharp modelling knife is required for removing parts from the frame. Plastic mould lines can be removed with the modelling knife.



請注意
Special instructions



隨愛好選擇
Optional



組合完成
Finished Assembly



制作兩組
Make Two



配重
Weight



塗色
Painting

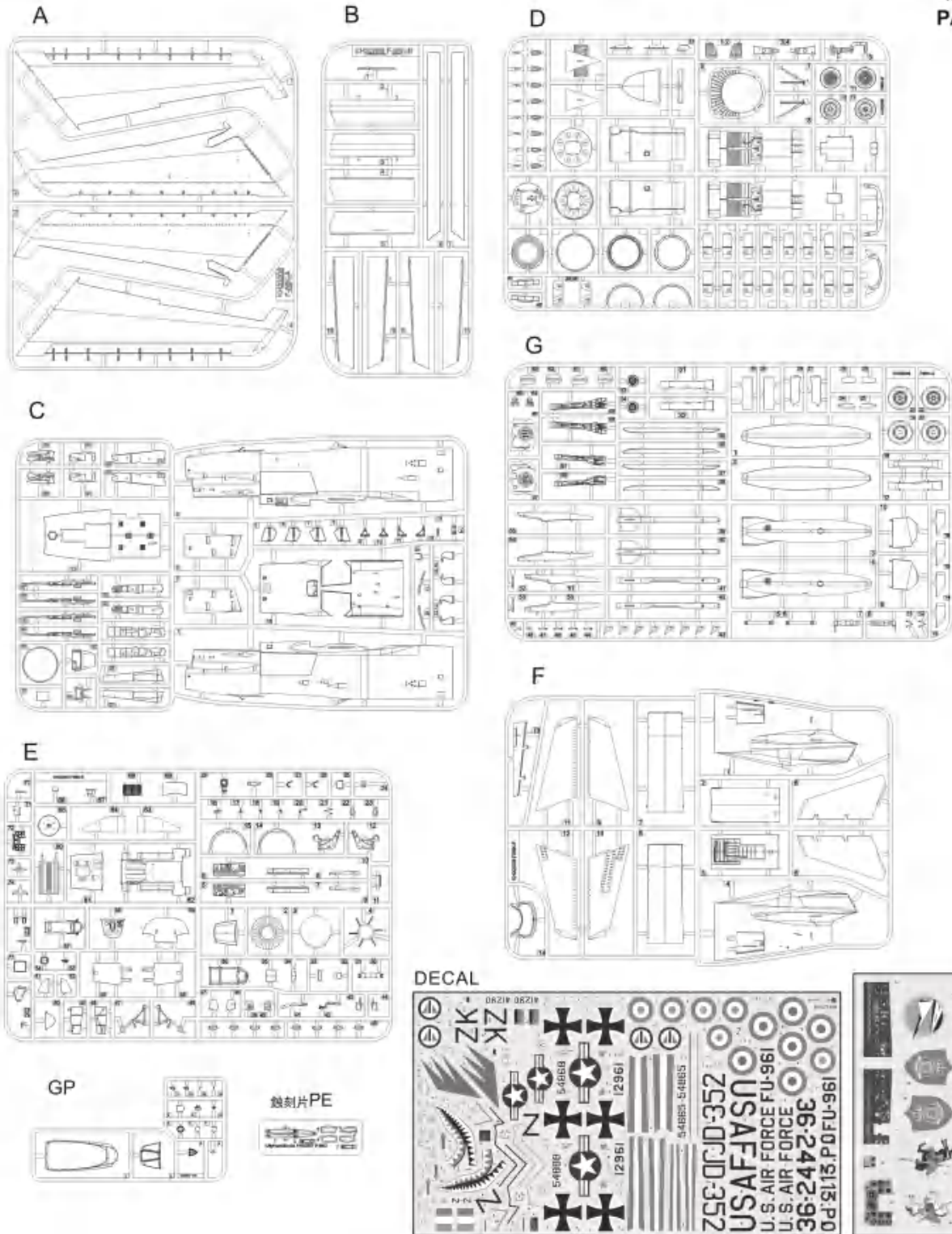


無需膠粘
Do Not Cement



對側
Opposite

部品圖 PARTS



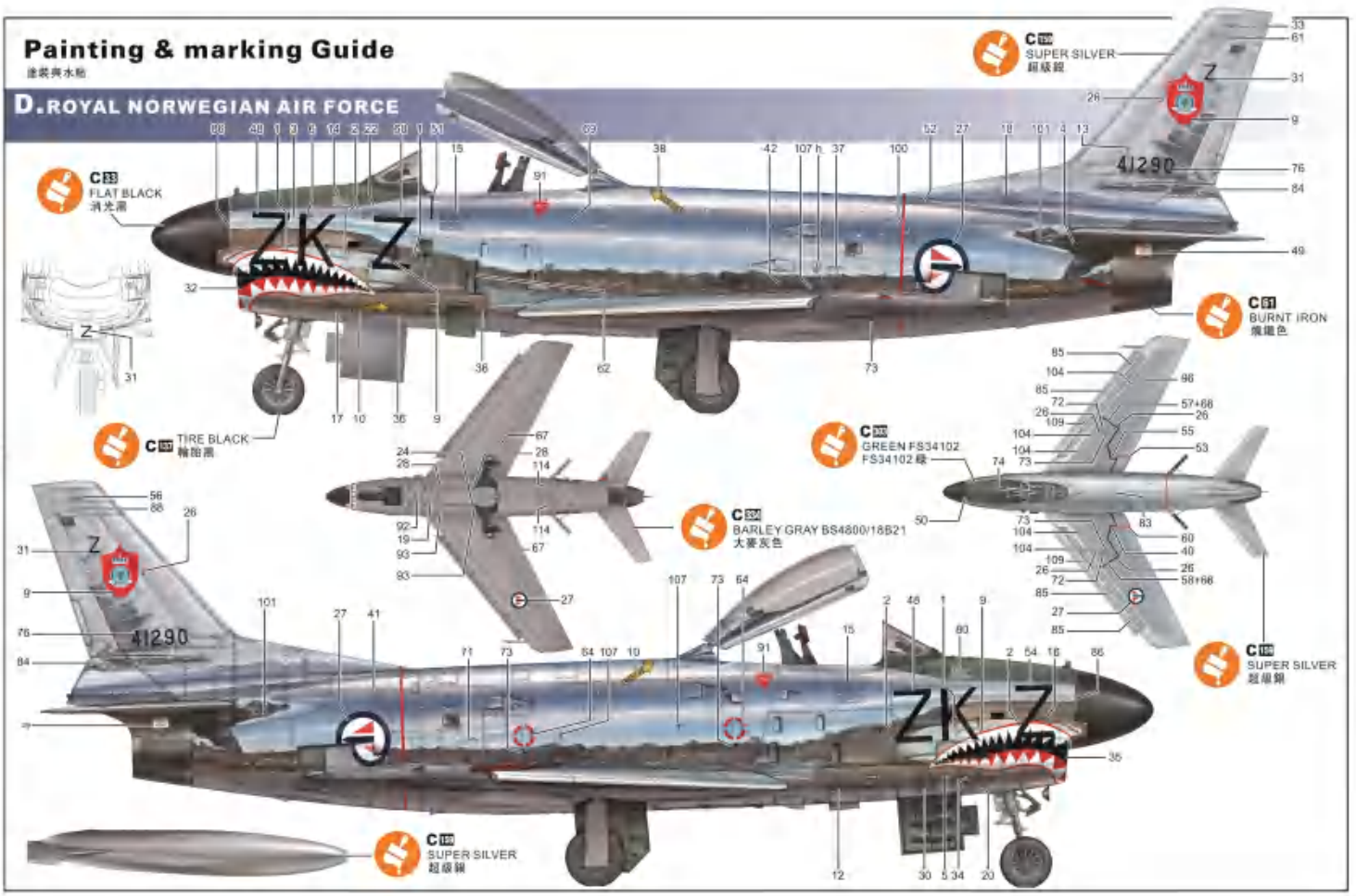
DECAL



Painting & marking Guide

塗裝與水貼

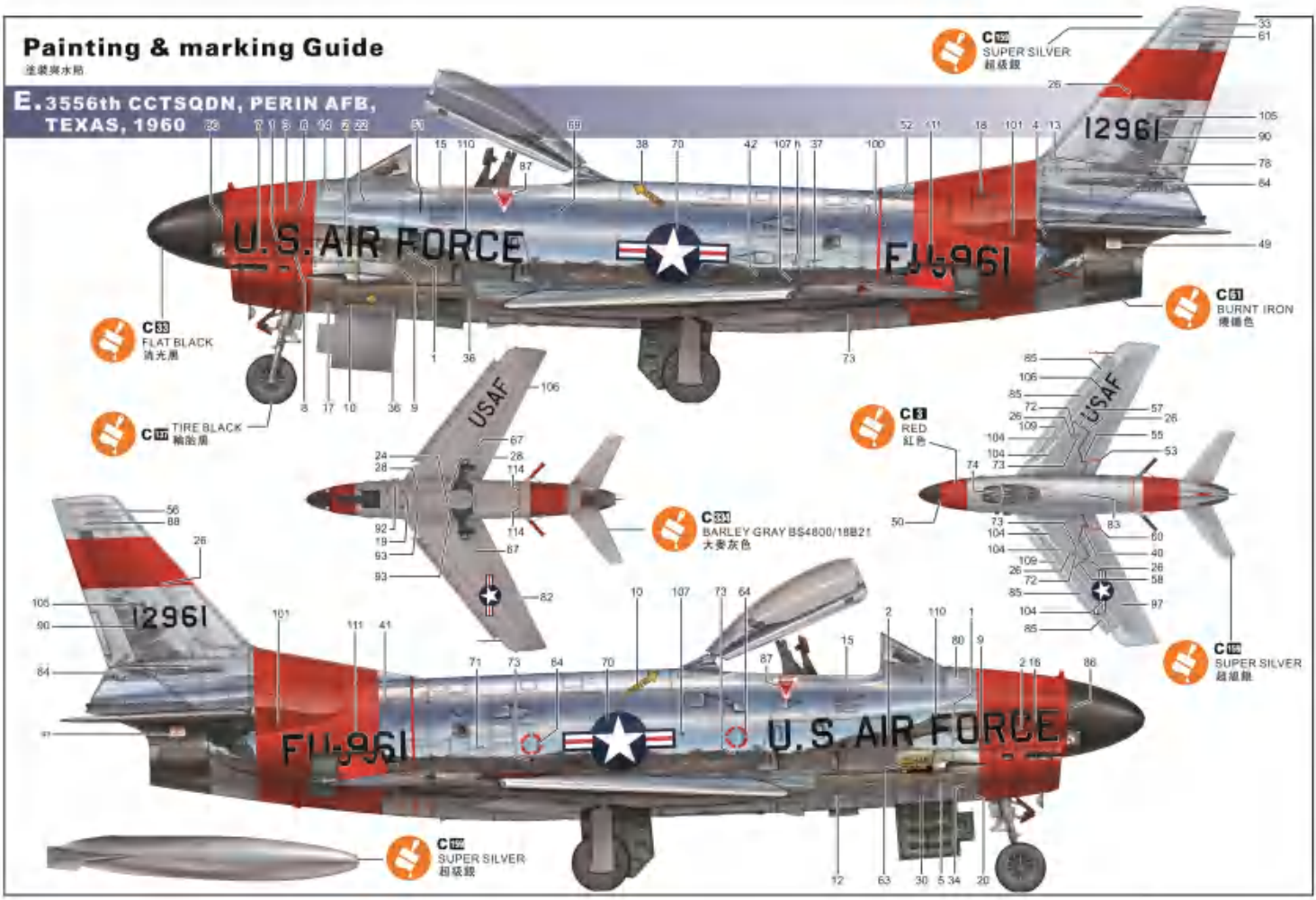
D. ROYAL NORWEGIAN AIR FORCE



Painting & marking Guide

塗装與水貼

E. 3556th CCTSQDN, PERIN AFB,
TEXAS, 1960



C10
FLAT BLACK
透光黑

C11
TIRE BLACK
輪胎黑

C12
SUPER SILVER
超感銀

C13
BURNT IRON
燒鐵色

C14
RED
紅色

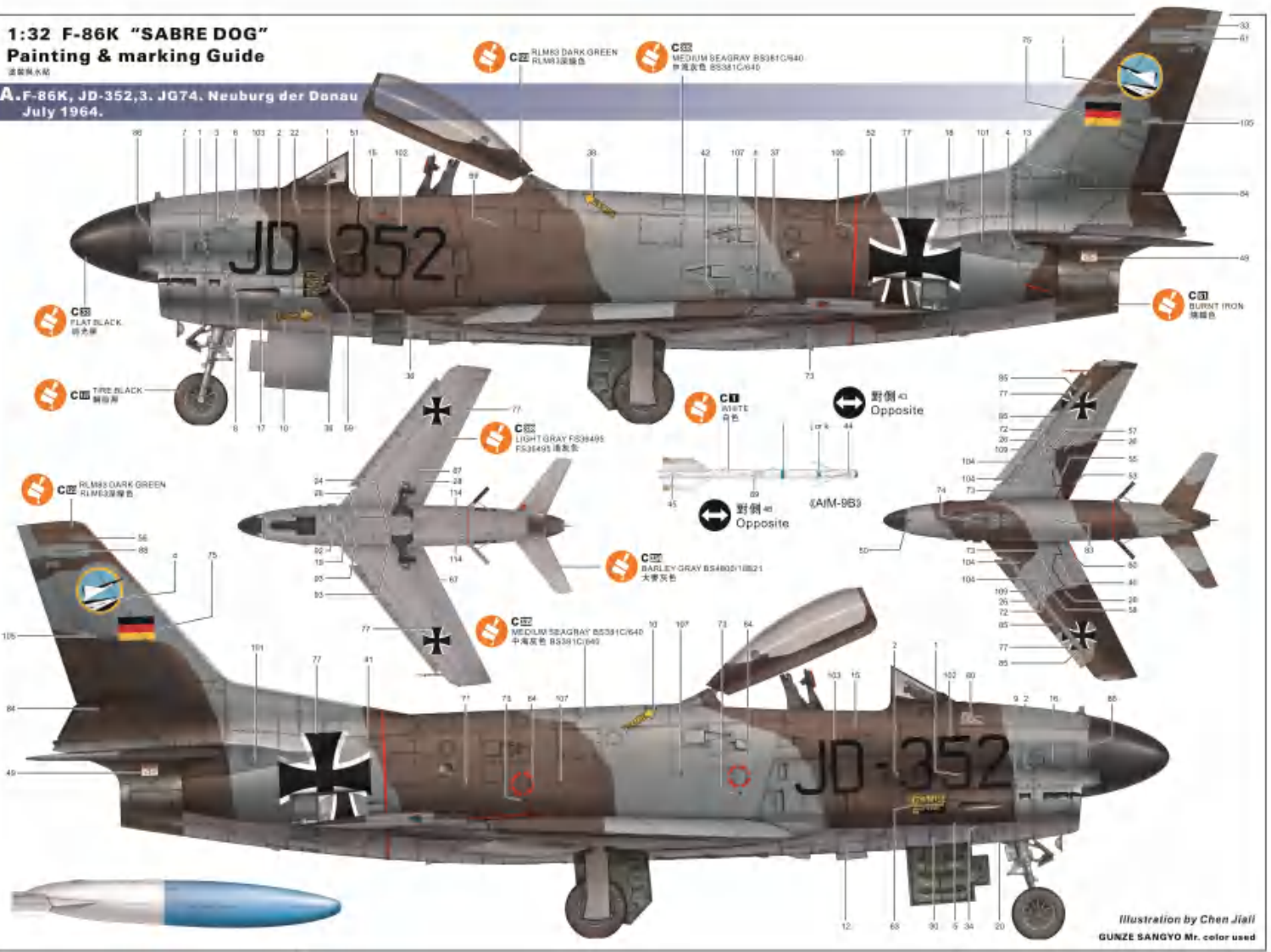
C15
BARLEY GRAY BS4800/18B21
大麥灰色

C16
SUPER SILVER
超感銀

C17
SUPER SILVER
超感銀

1:32 F-86K "SABRE DOG"
Painting & marking Guide

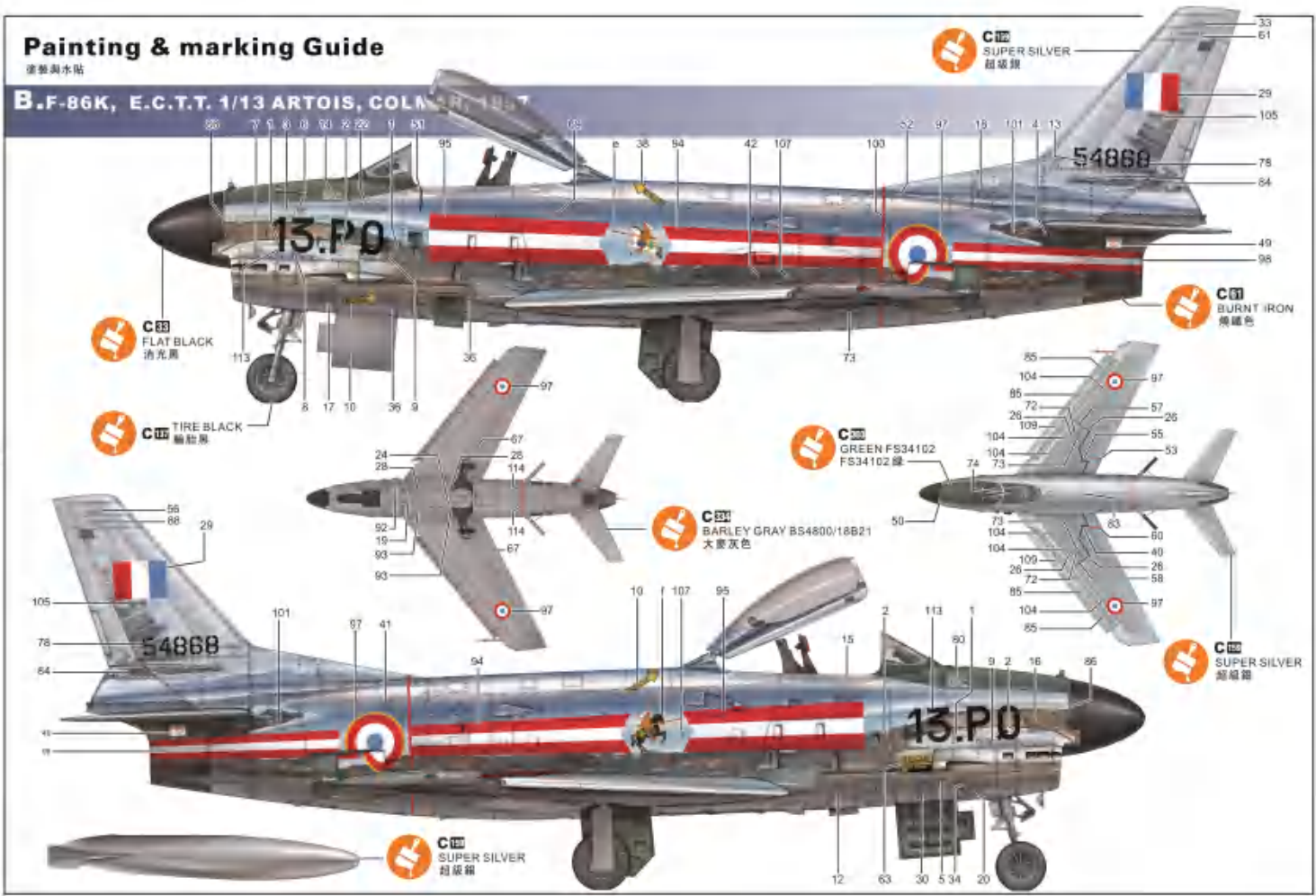
A. F-86K, JD-352, 3. JG74. Neuburg der Donau
July 1964.



Painting & marking Guide

塗裝與標記

B.F-86K, E.C.T.T. 1/13 ARTOIS, COLM



Painting & marking Guide

塗装與水貼

C.F.-86K, XII GRUPPO, 36° STORMO.

