



1:48

SEPECAT Jaguar T.2/T.4

1:48 美洲虎雙座教練機



Instruction

Item No. ZM80105

READ BEFORE ASSEMBLY

在組合您的模型之前，請充分閱讀本冊說明書。組合模型您需要如下物品（需另購）：模型膠水；一把模型鉗或一把用于將零件從框架上切下的模型筆刀。筆刀同樣可以用來修整零件的合模線。祝您制作愉快！

Before assembling your model kit, read through these instructions carefully. To assemble this kit, you will need Plastic glue (not include). A pair of side cutter or a sharp modelling knife is required for removing parts from the frame. Plastic mould lines can be removed with the modelling knife.



塗色
Painting



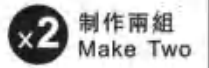
對側
Opposite



隨愛好選擇
Optional

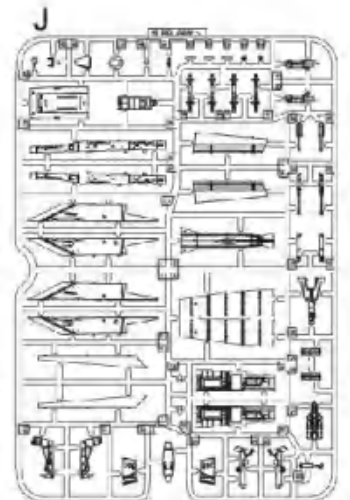
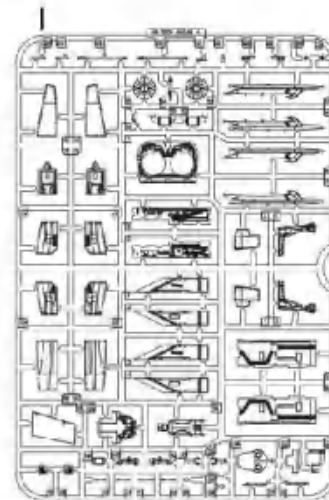
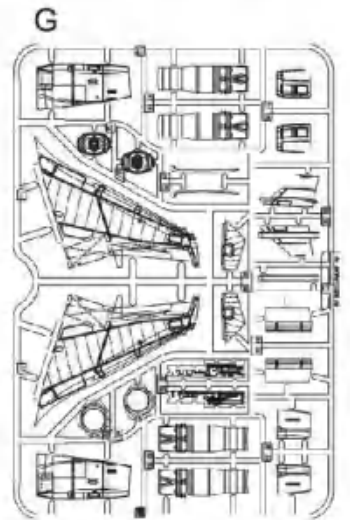
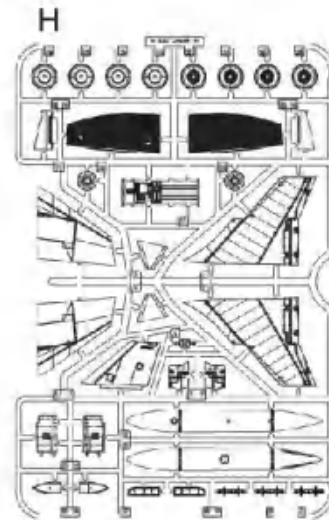
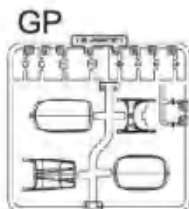
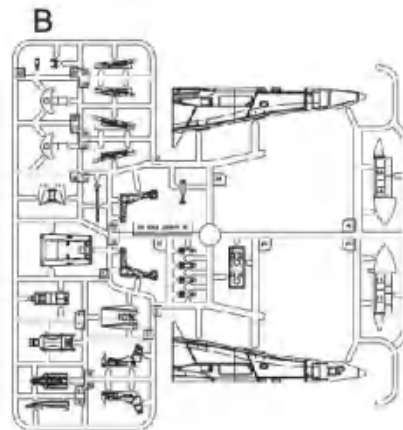
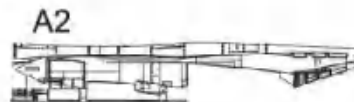


鉆孔
Make Hole

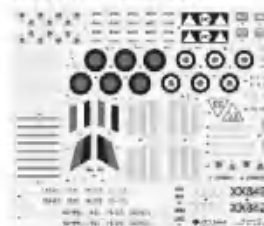


制作兩組
Make Two

部品圖 Parts



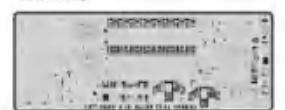
Decal A 水貼紙A

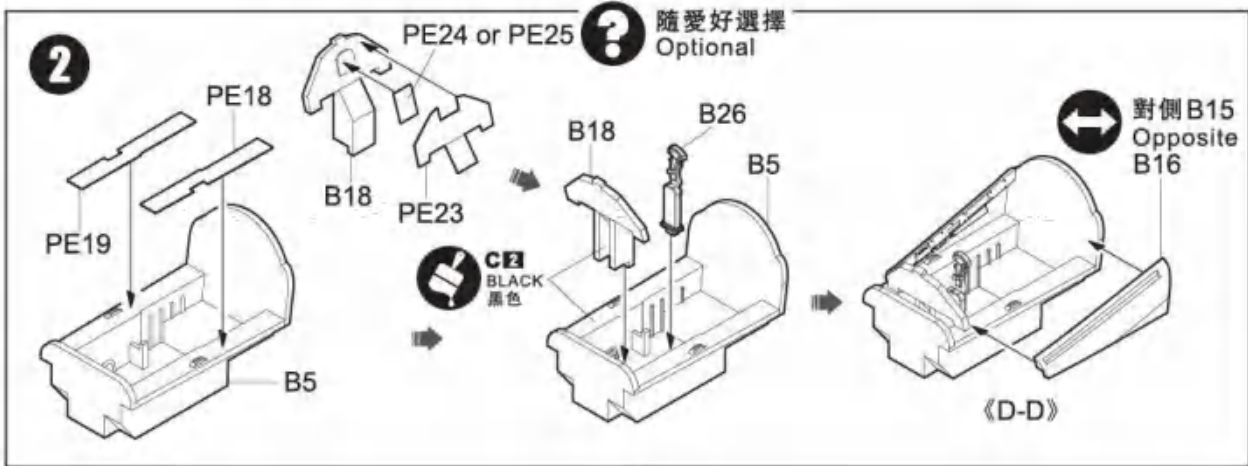
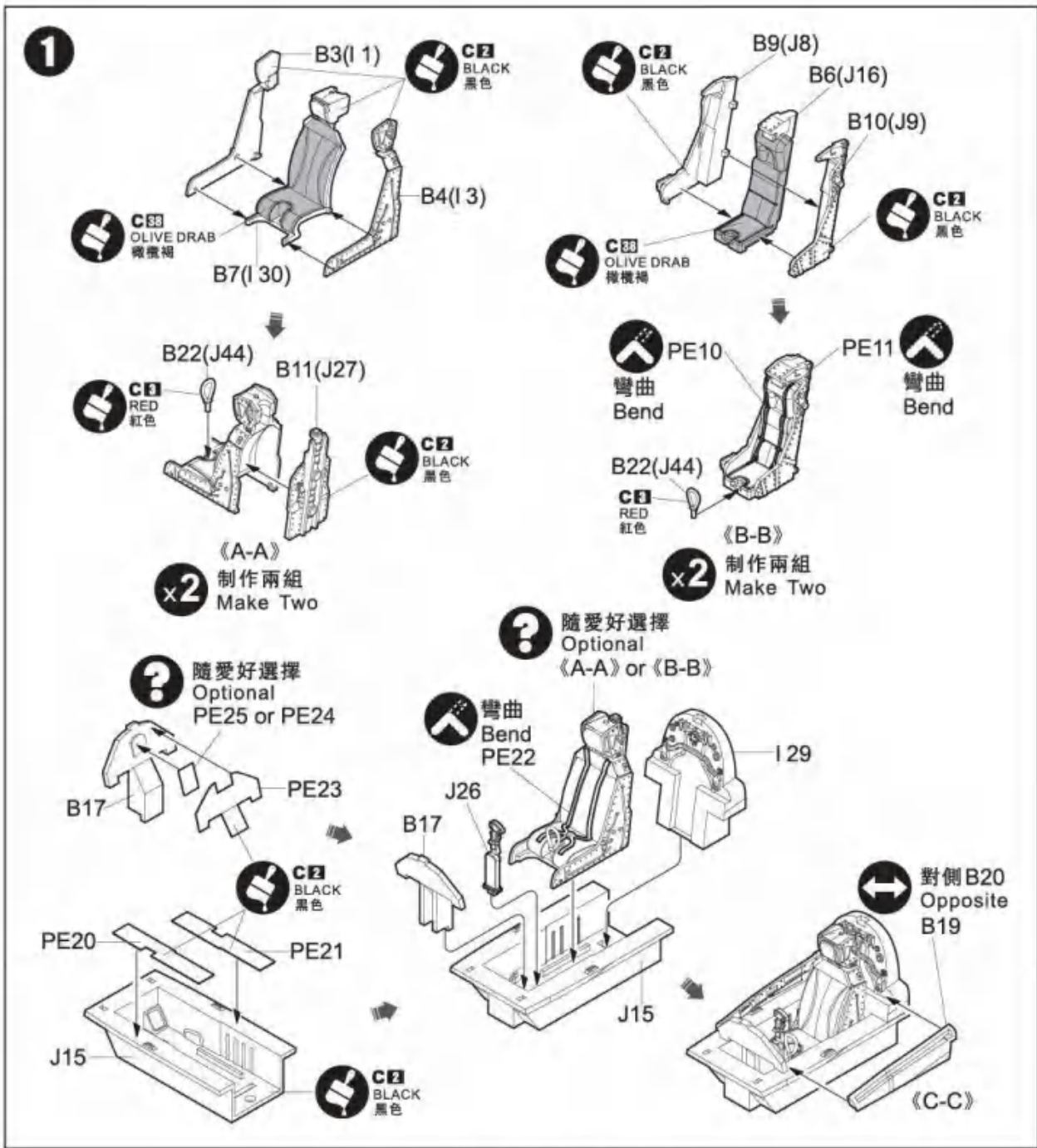


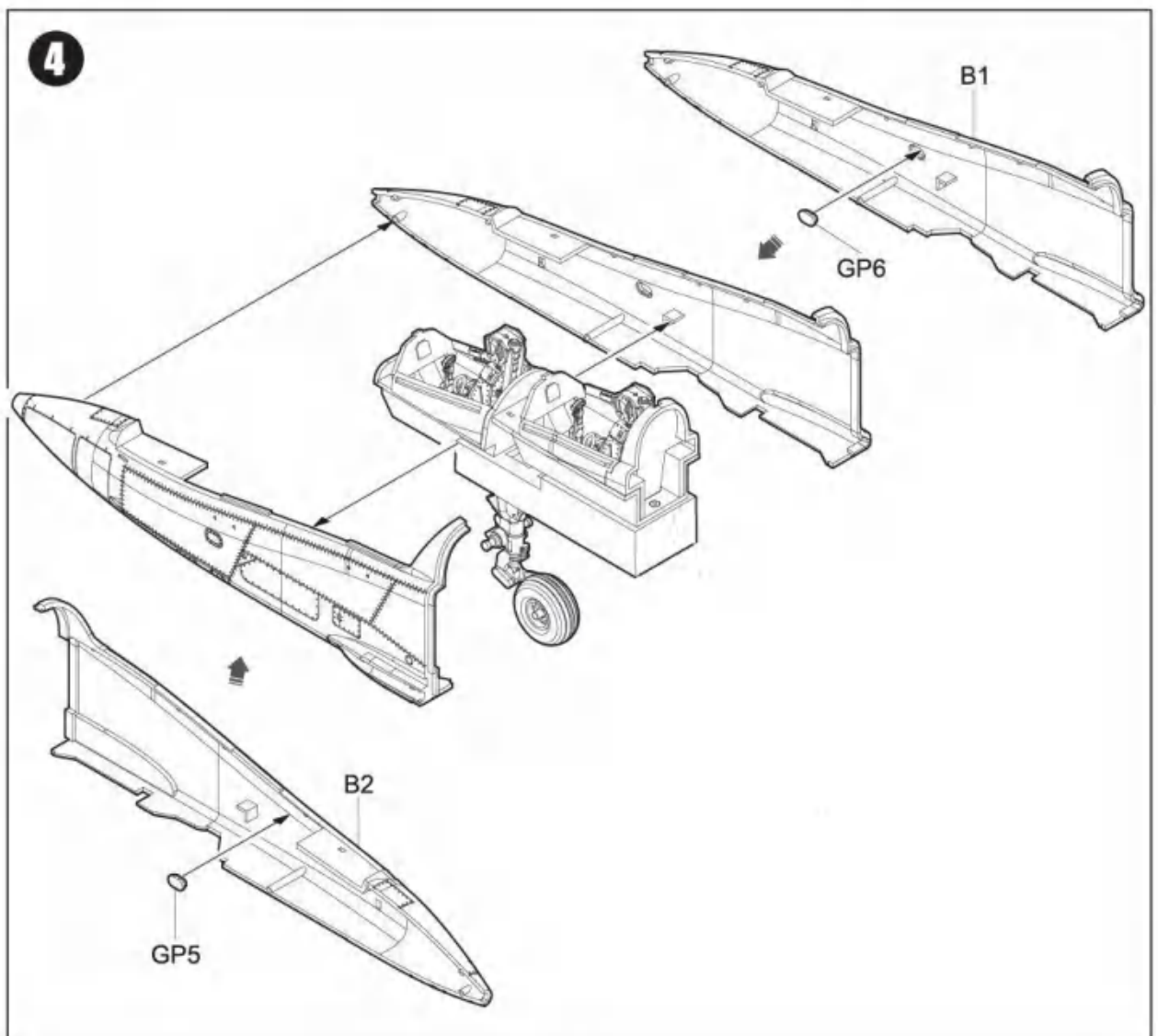
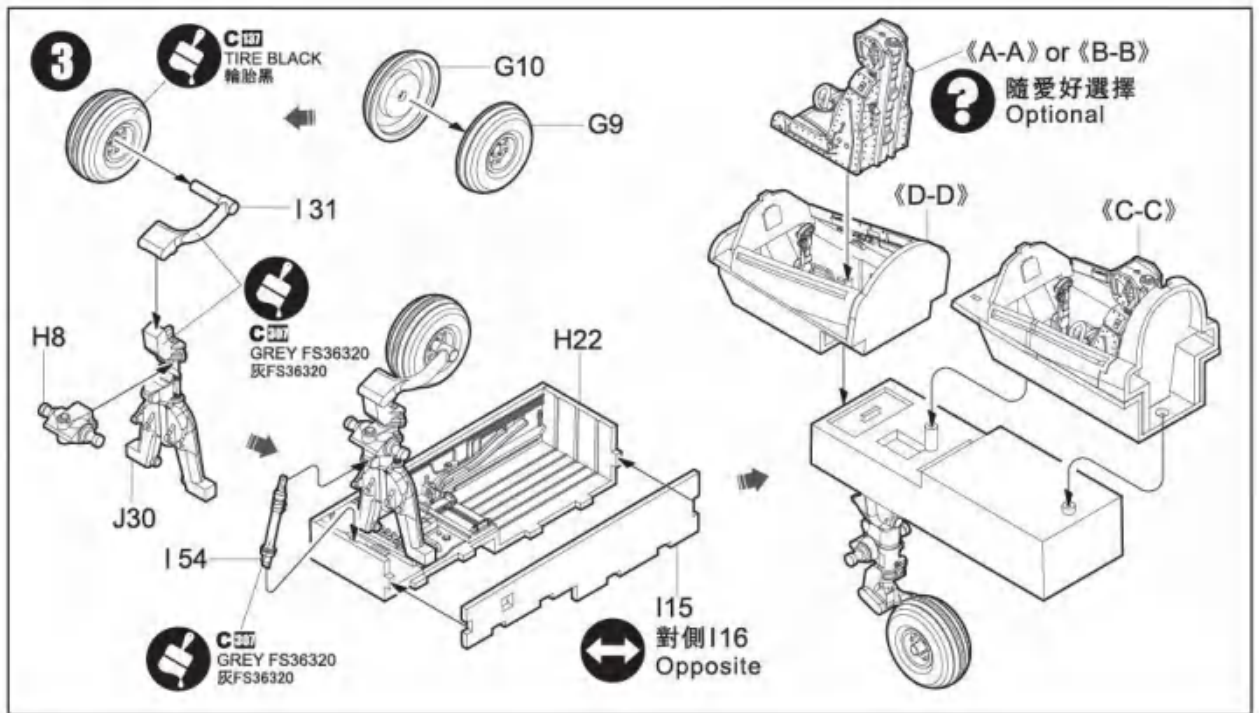
Decal B 水貼紙B



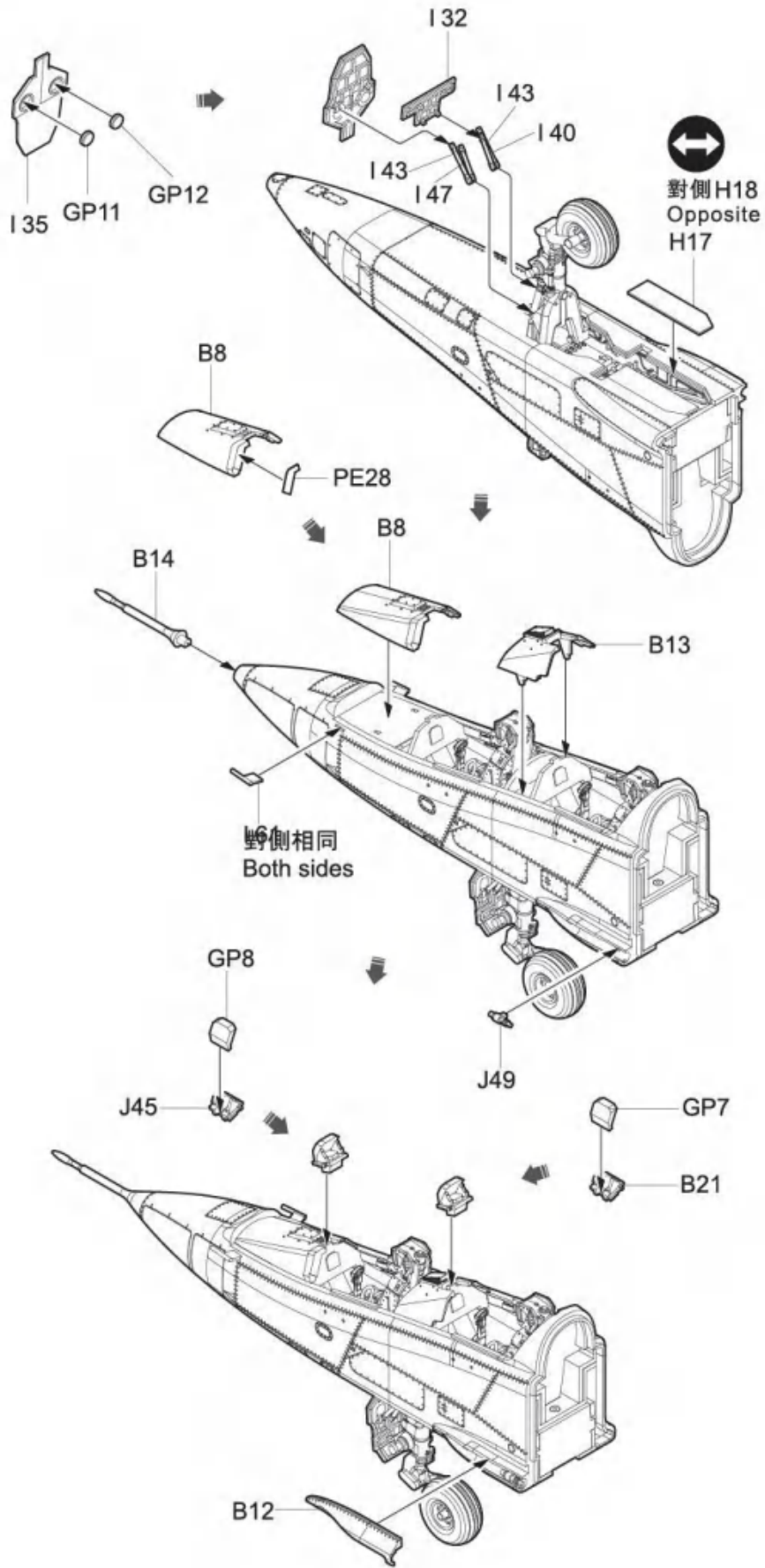
蝕刻片PE

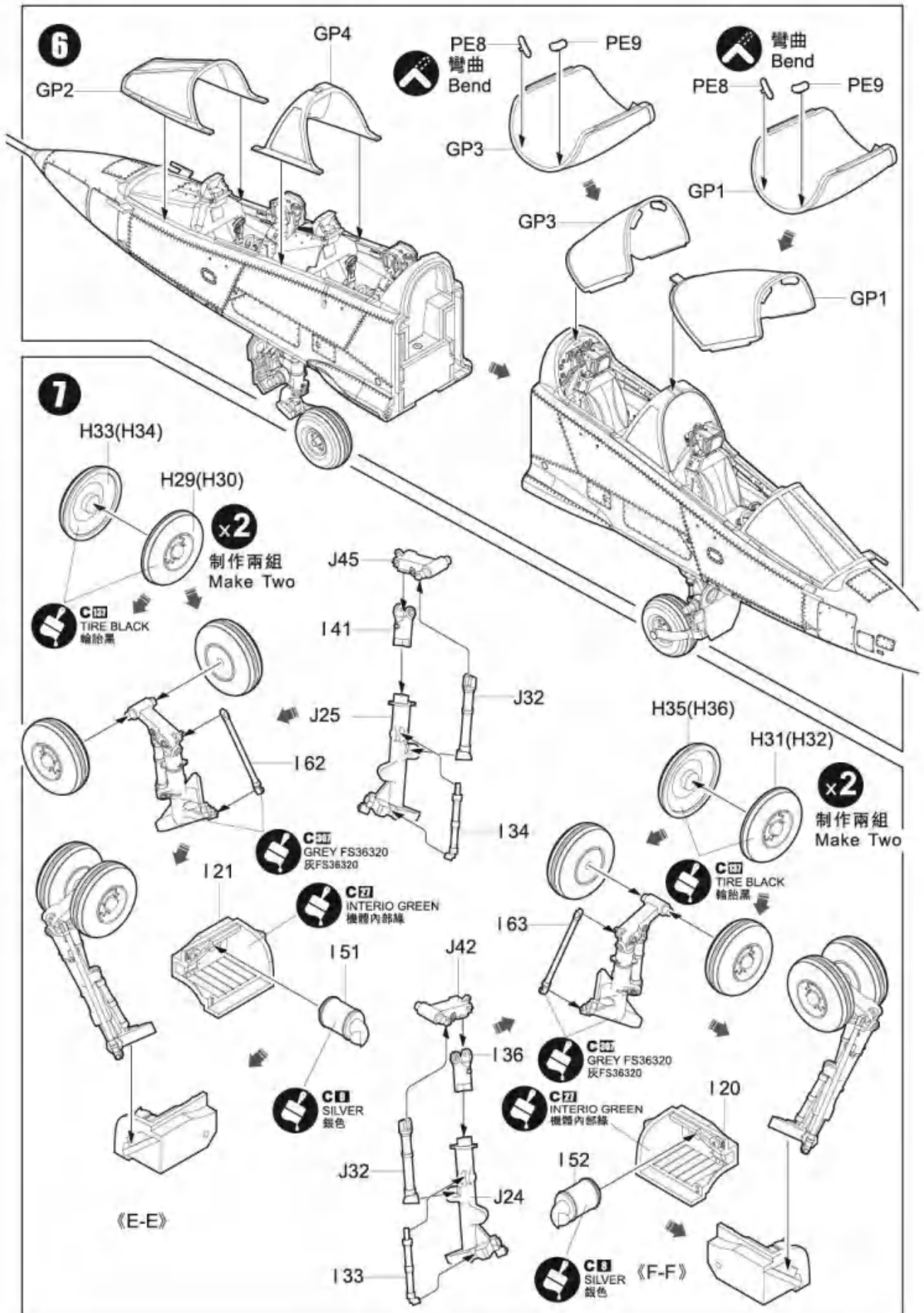


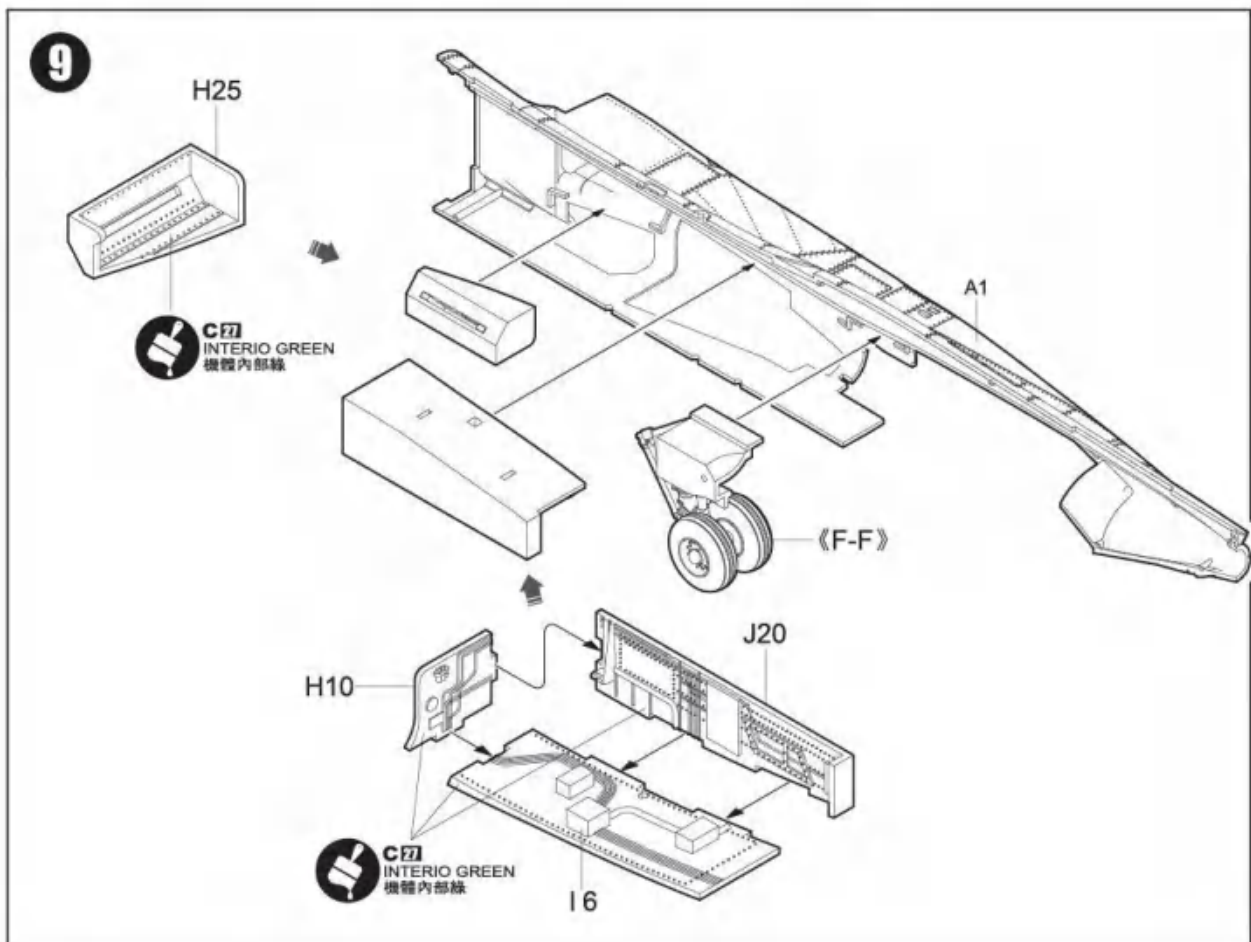
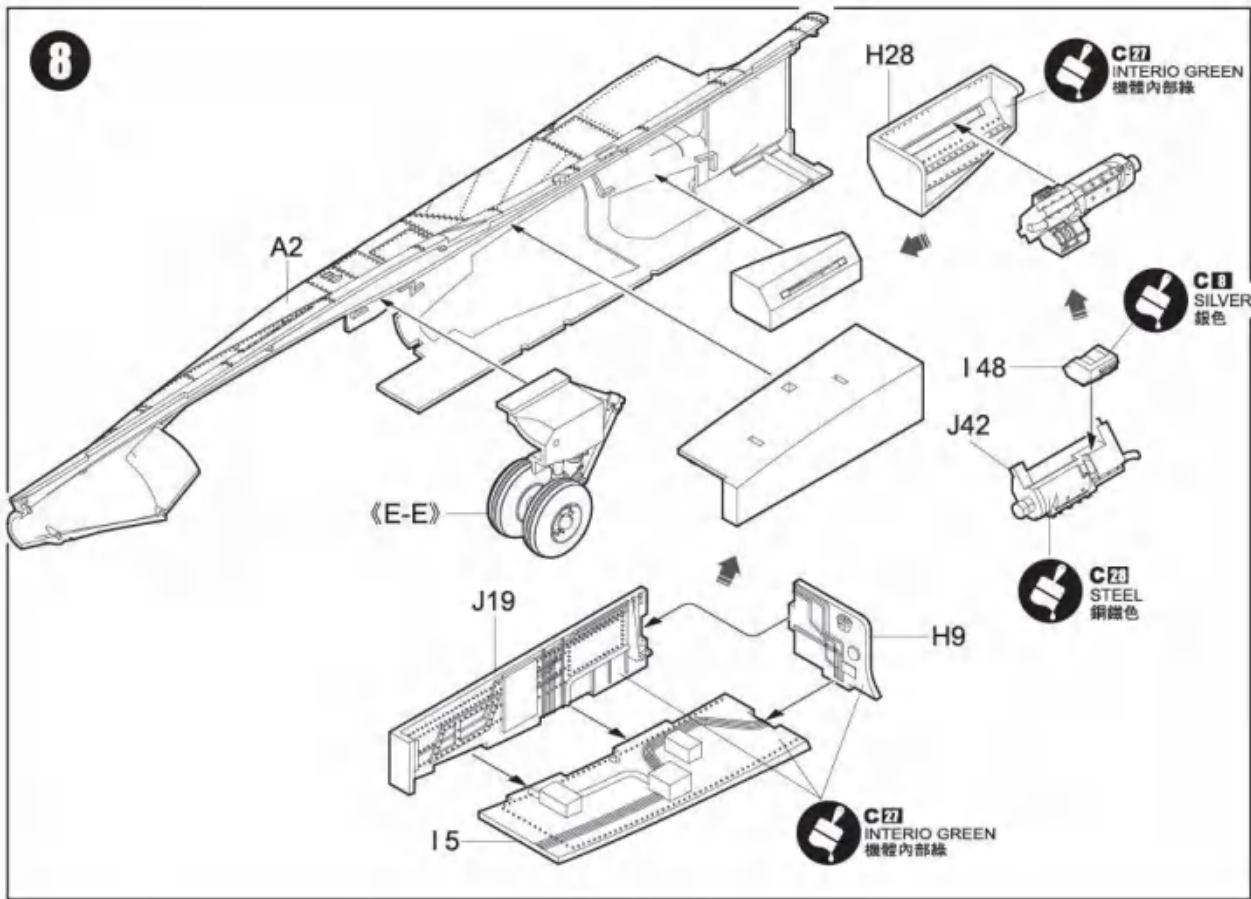


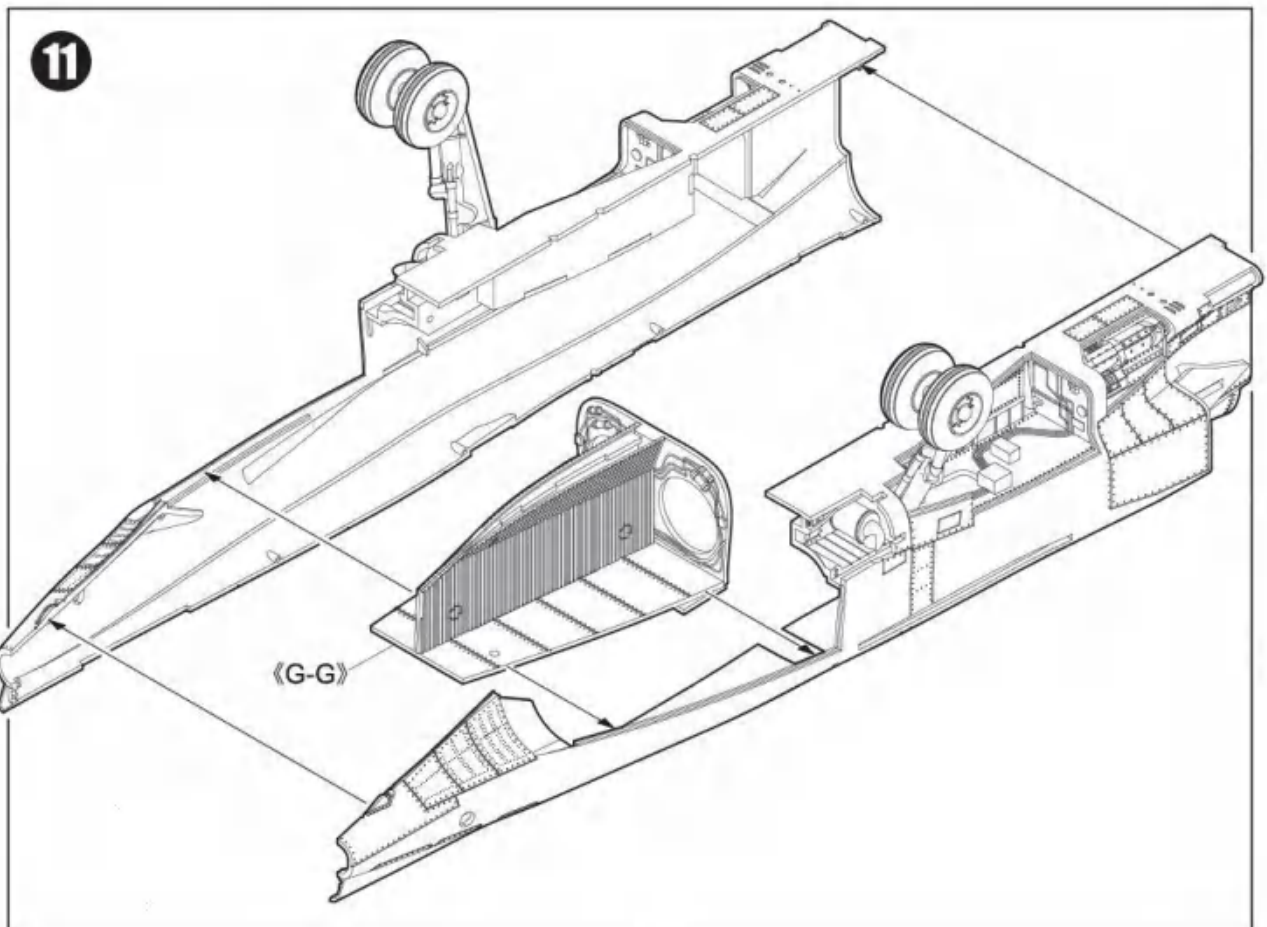
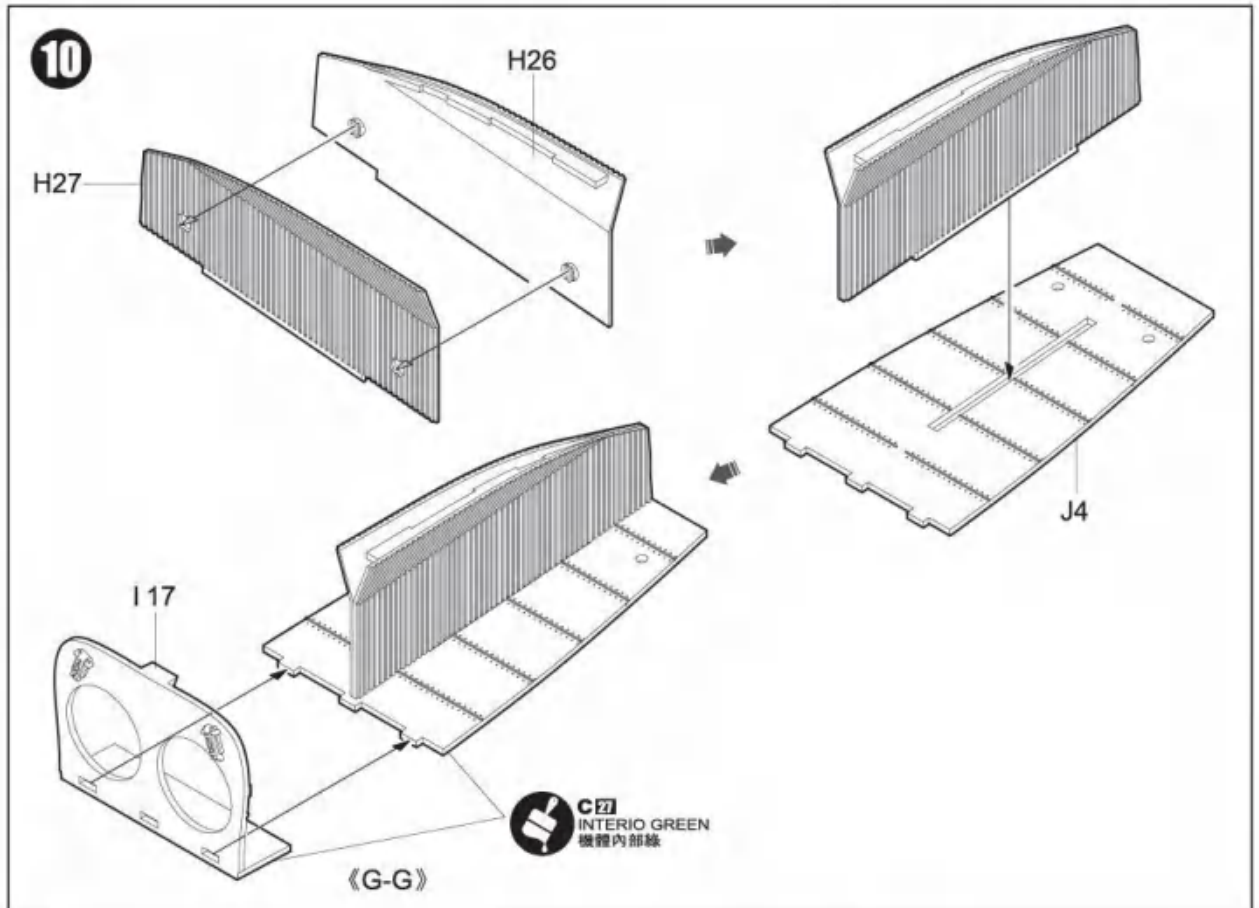


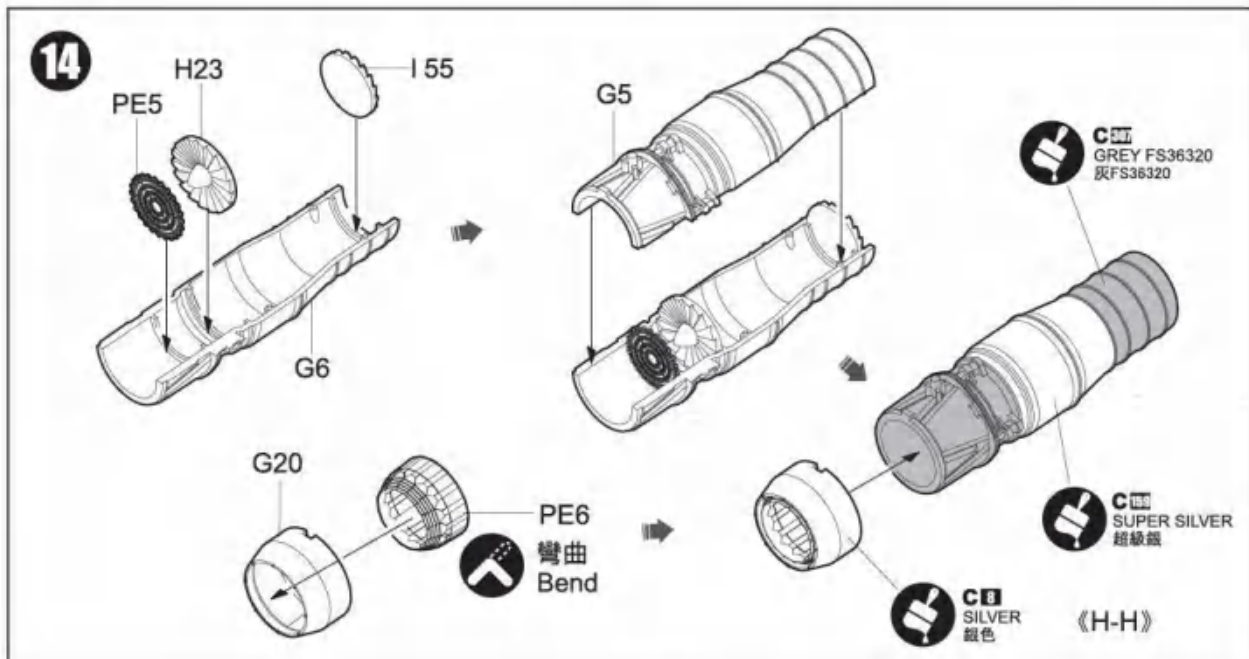
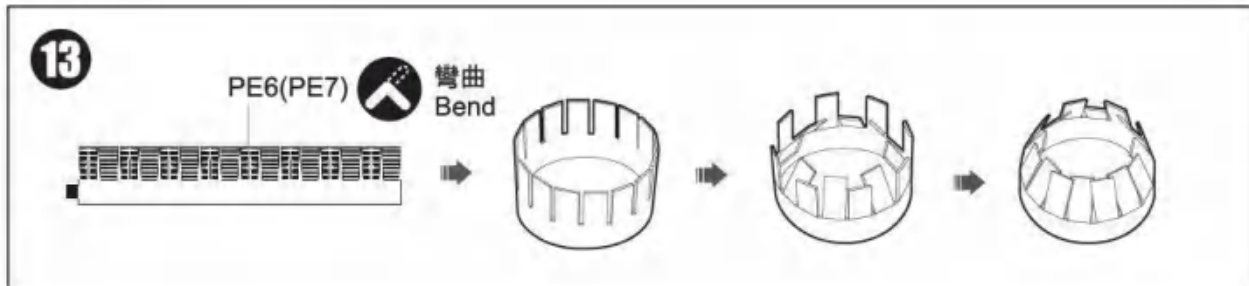
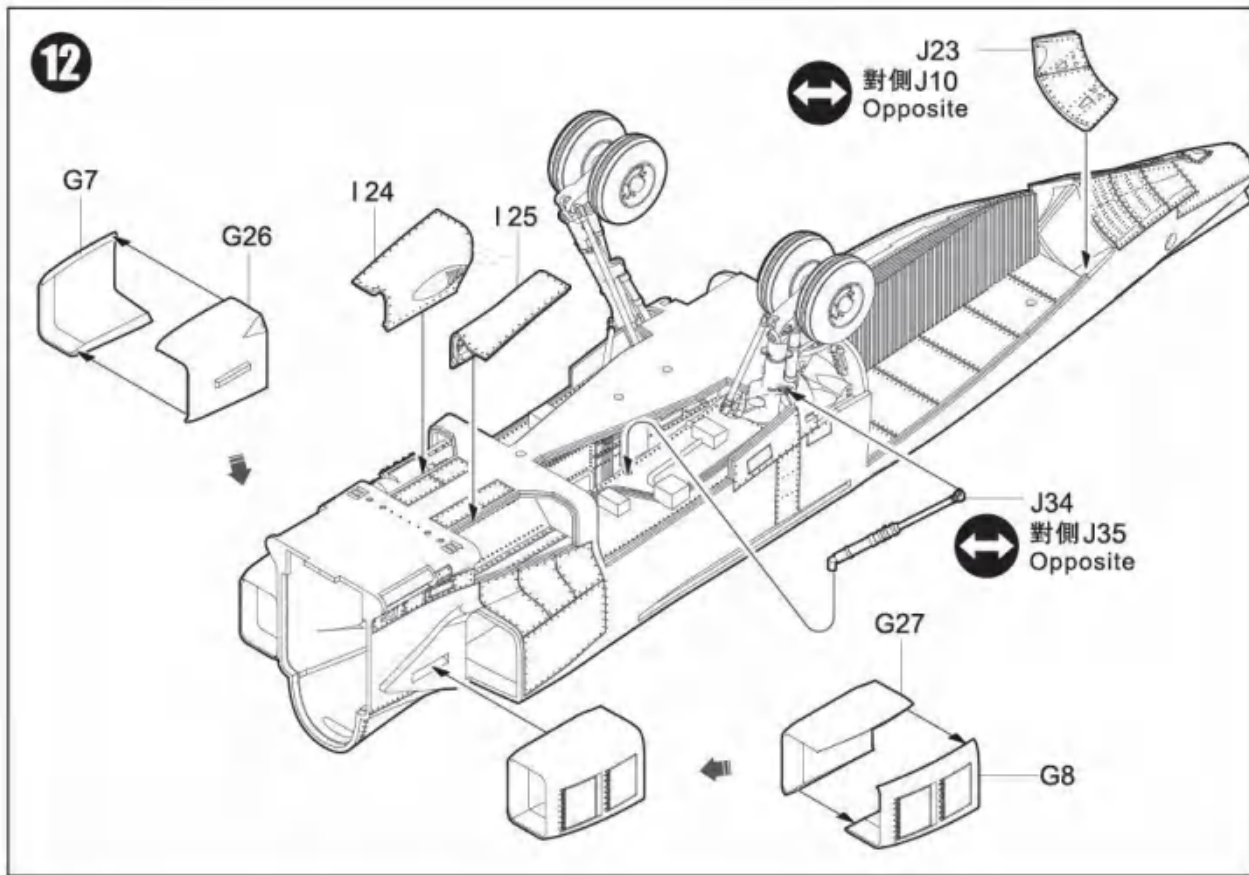
5

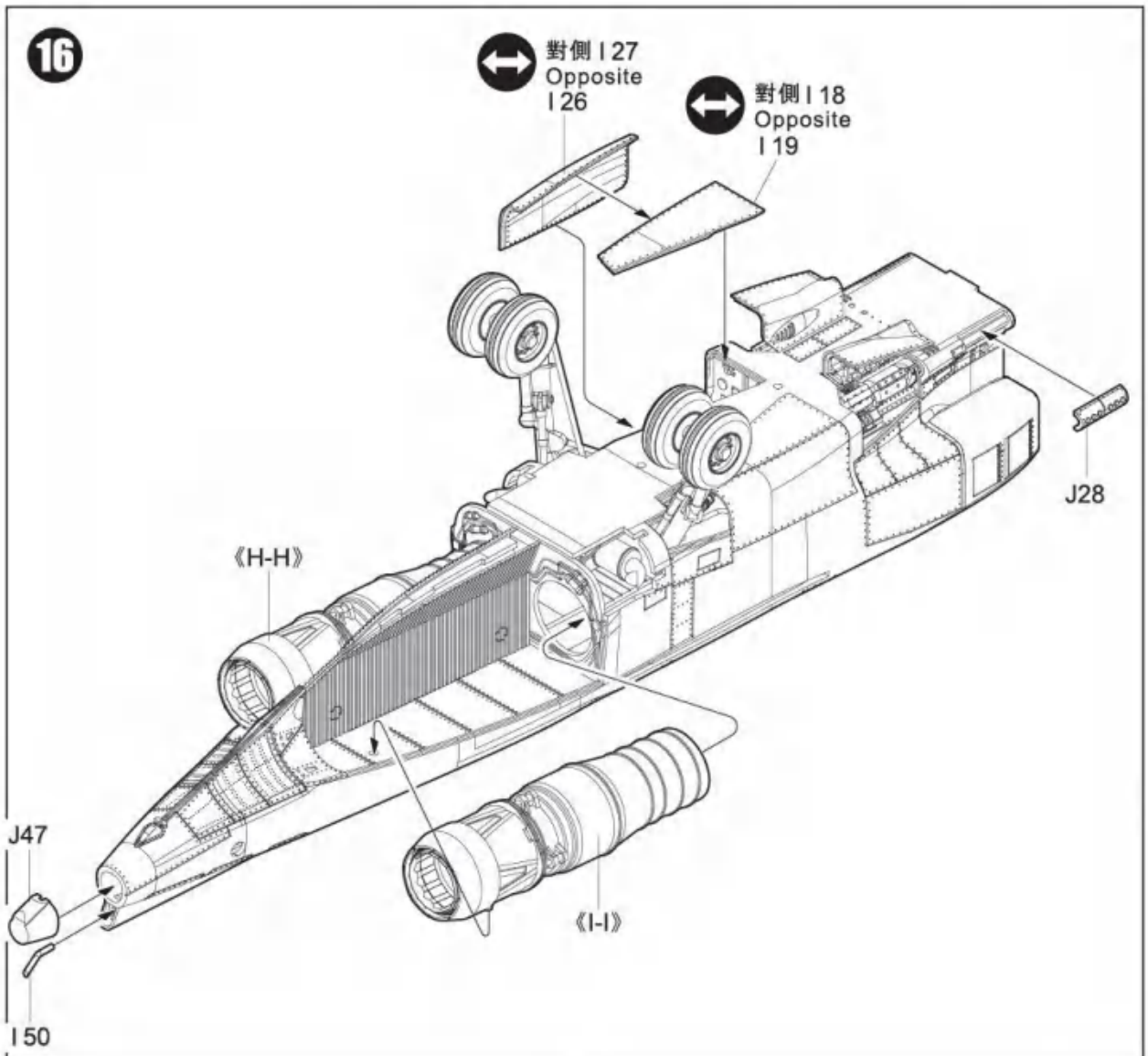
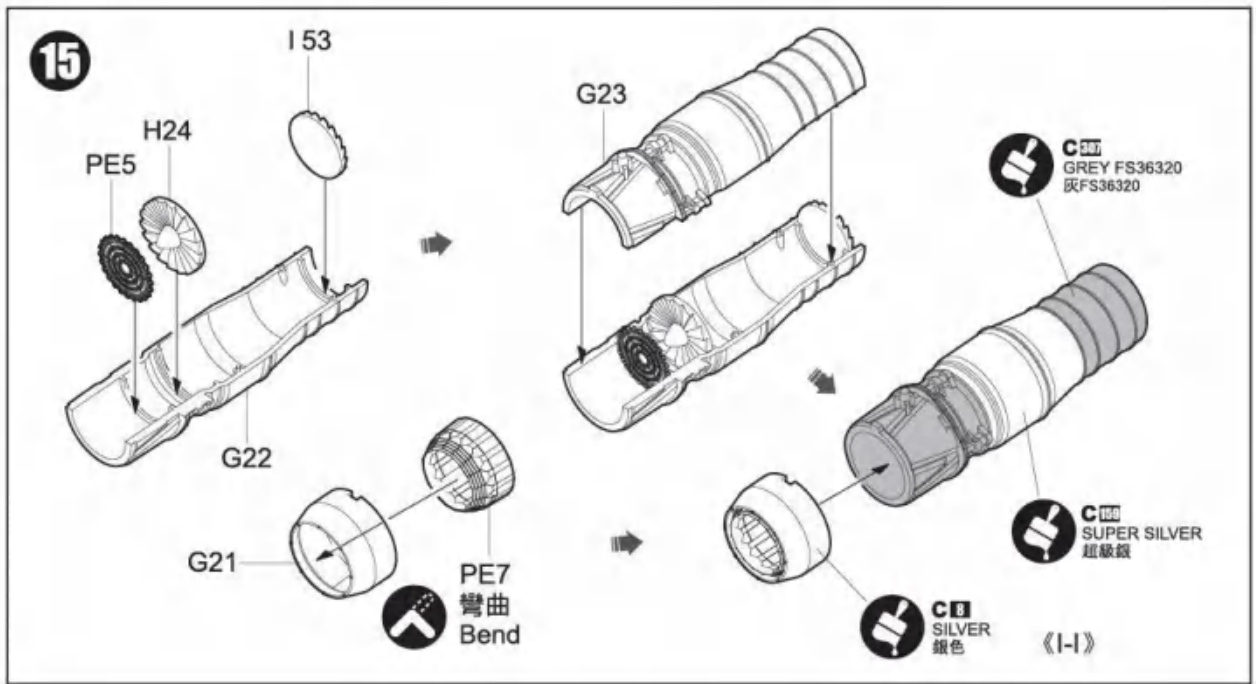




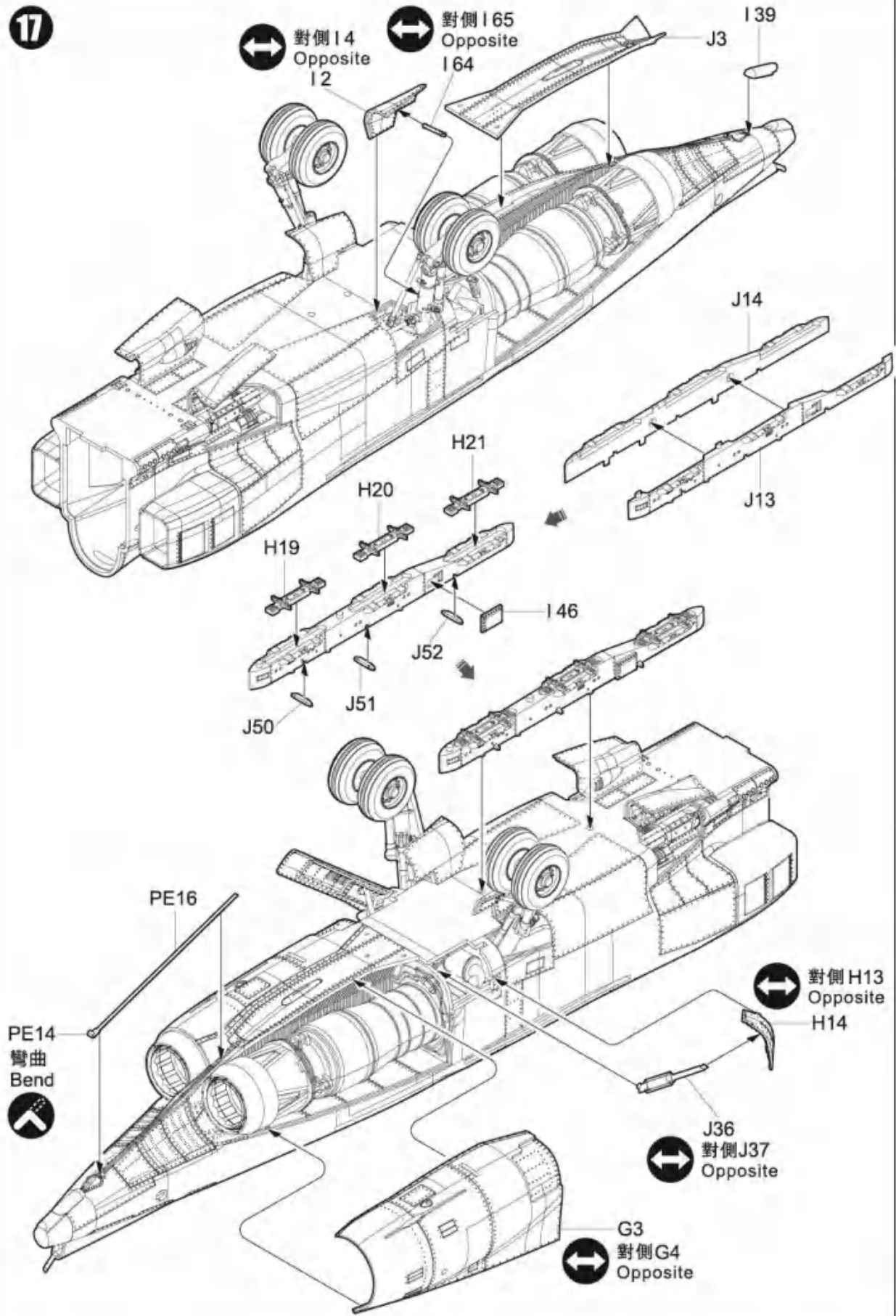


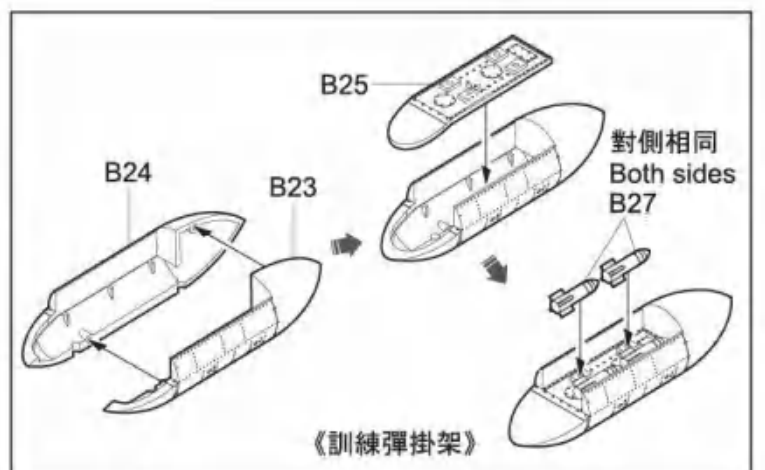
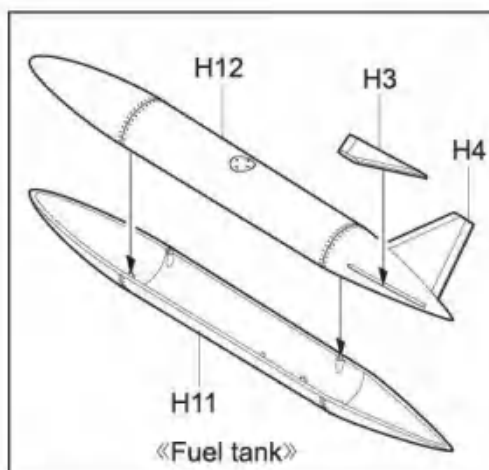
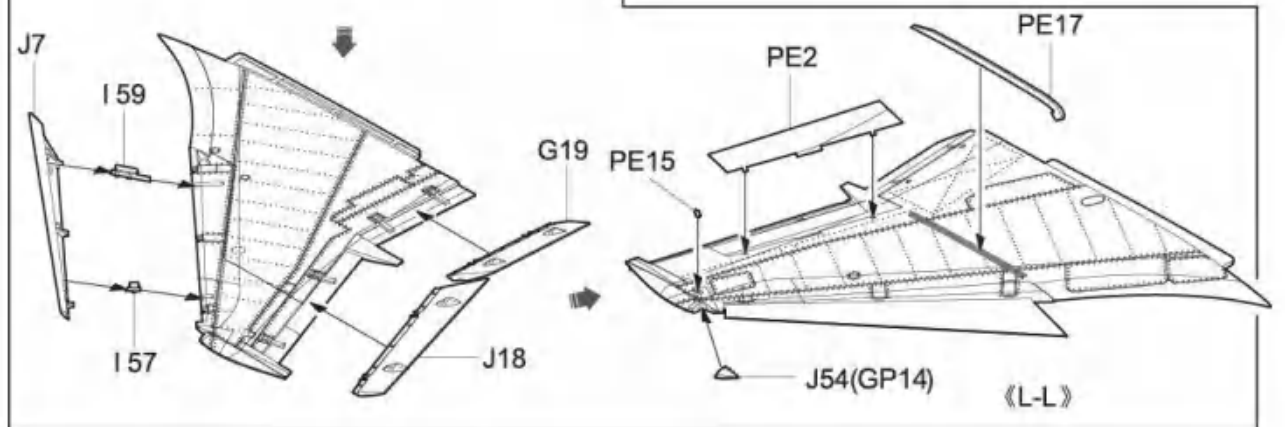
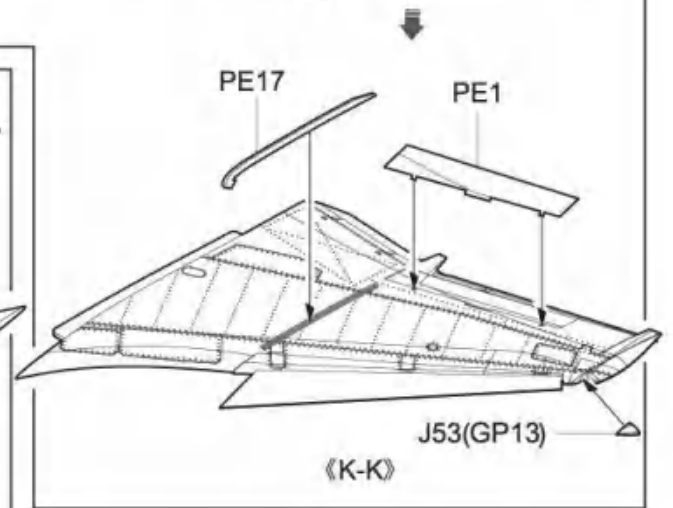
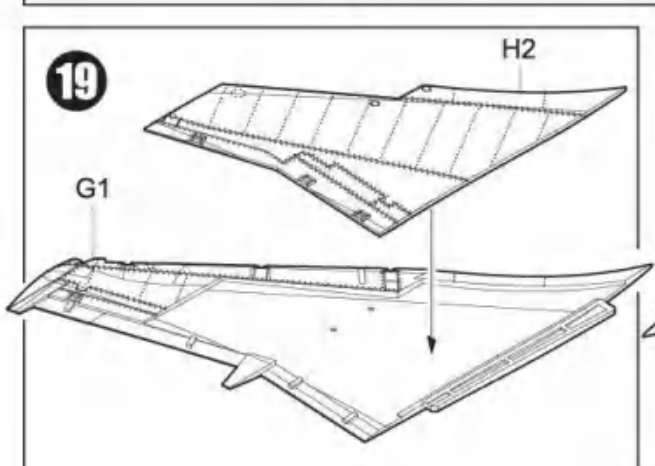
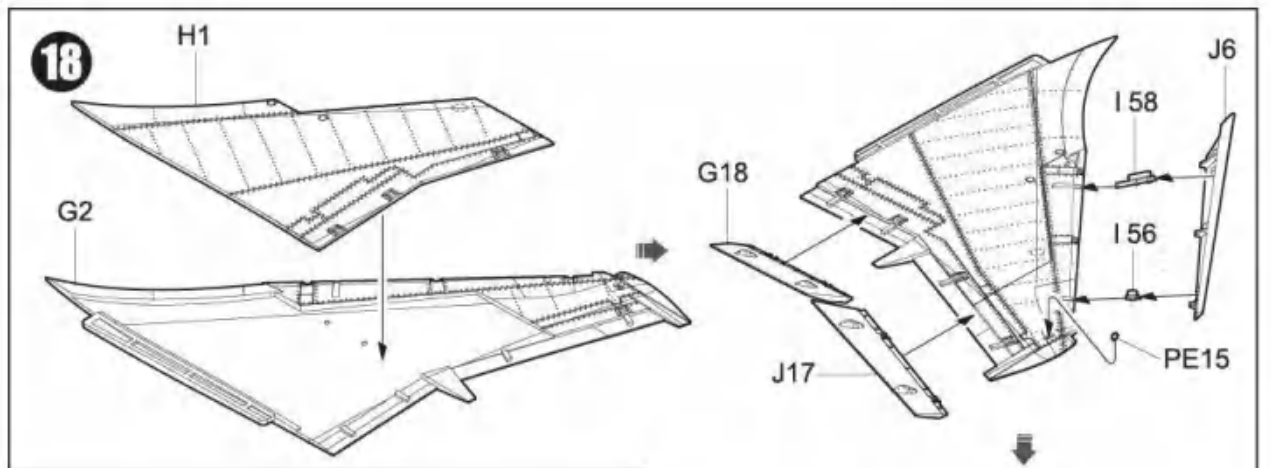


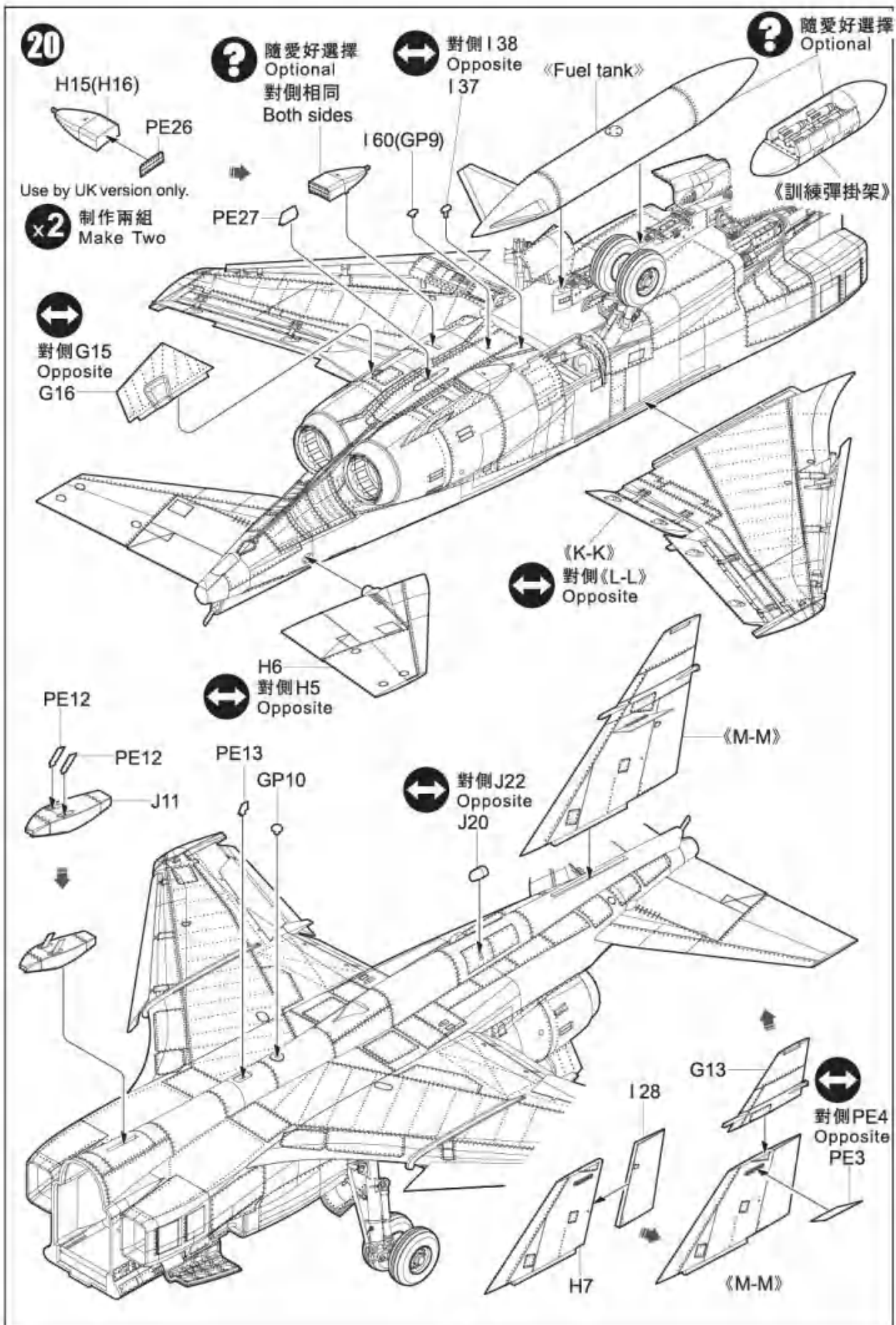




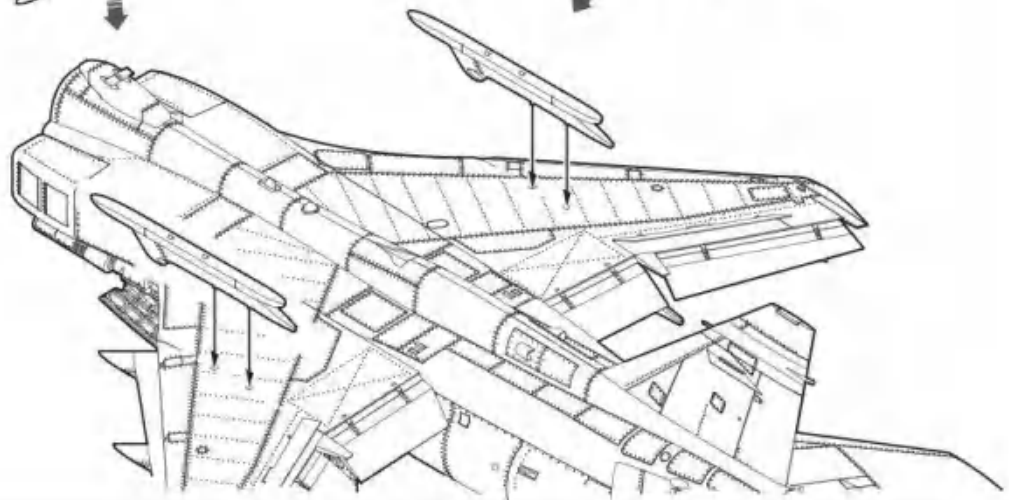
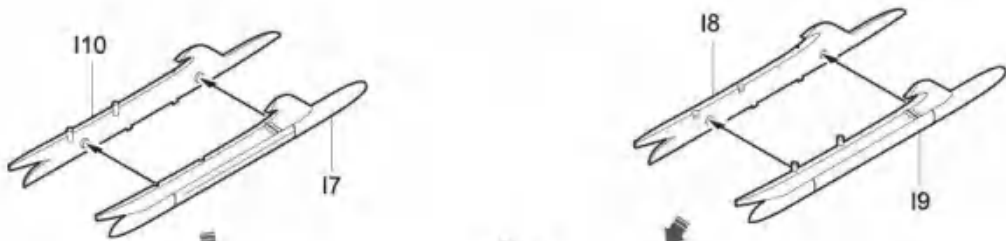
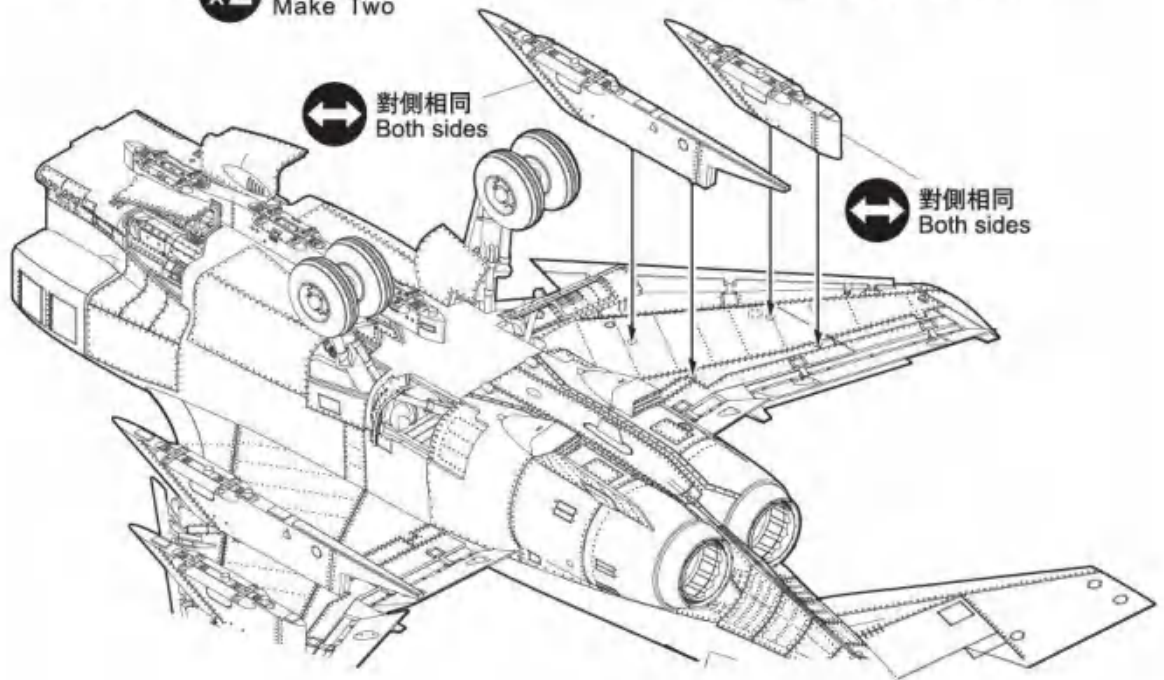
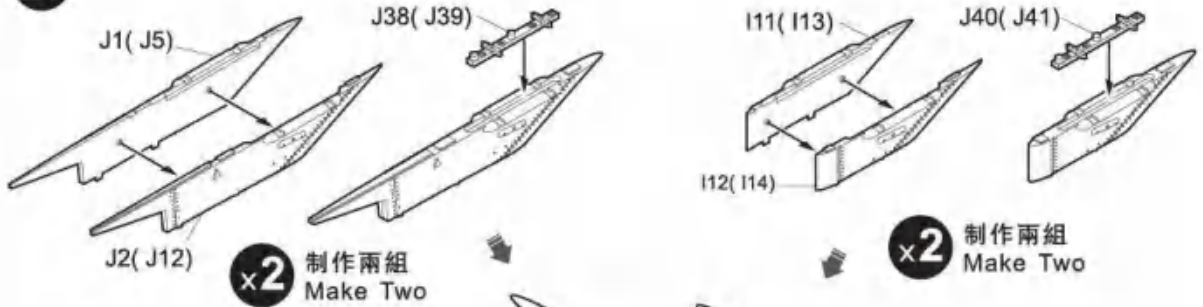
17



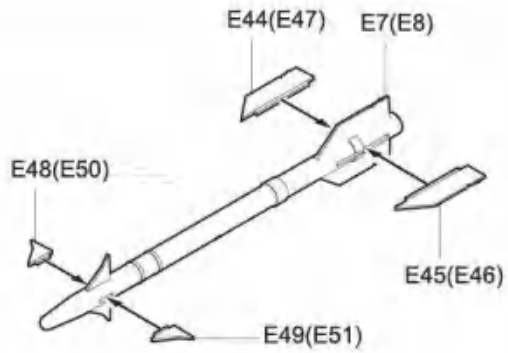
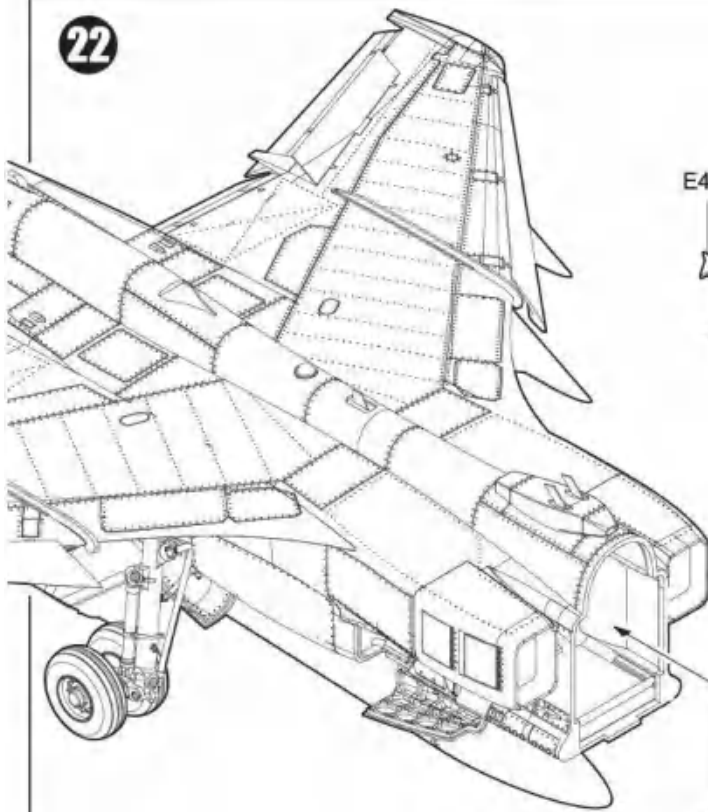




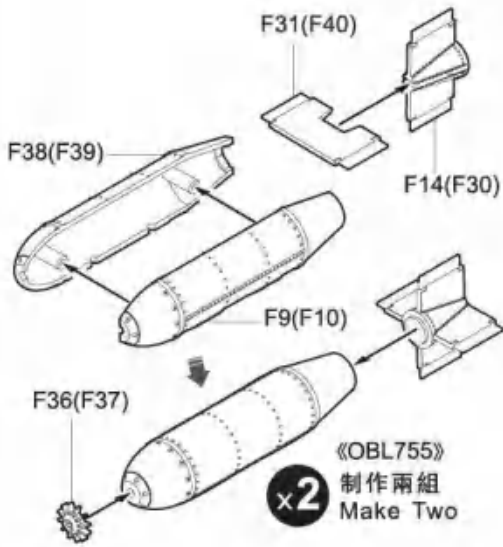
21



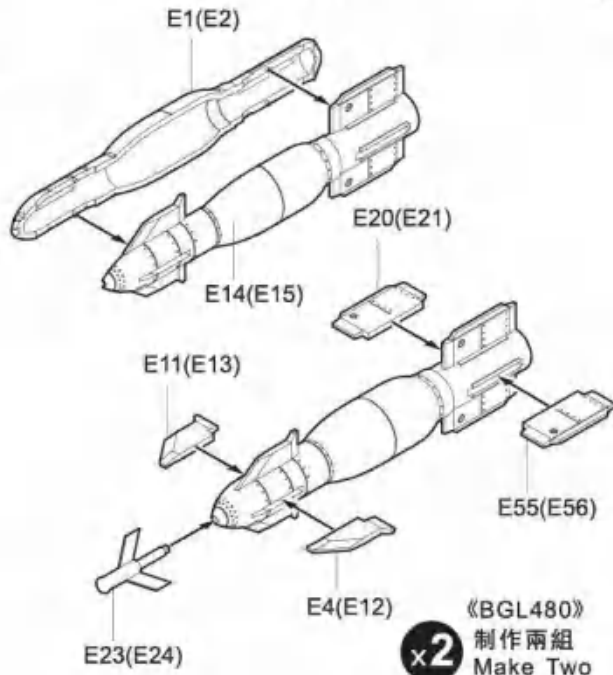
22



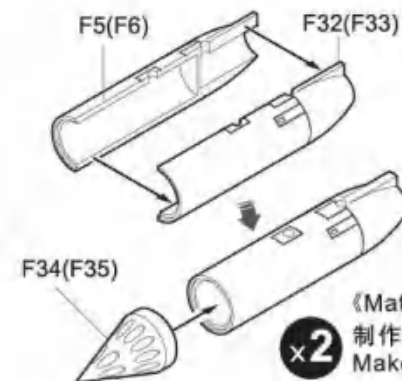
《AIM-9M》
制作兩組
Make Two



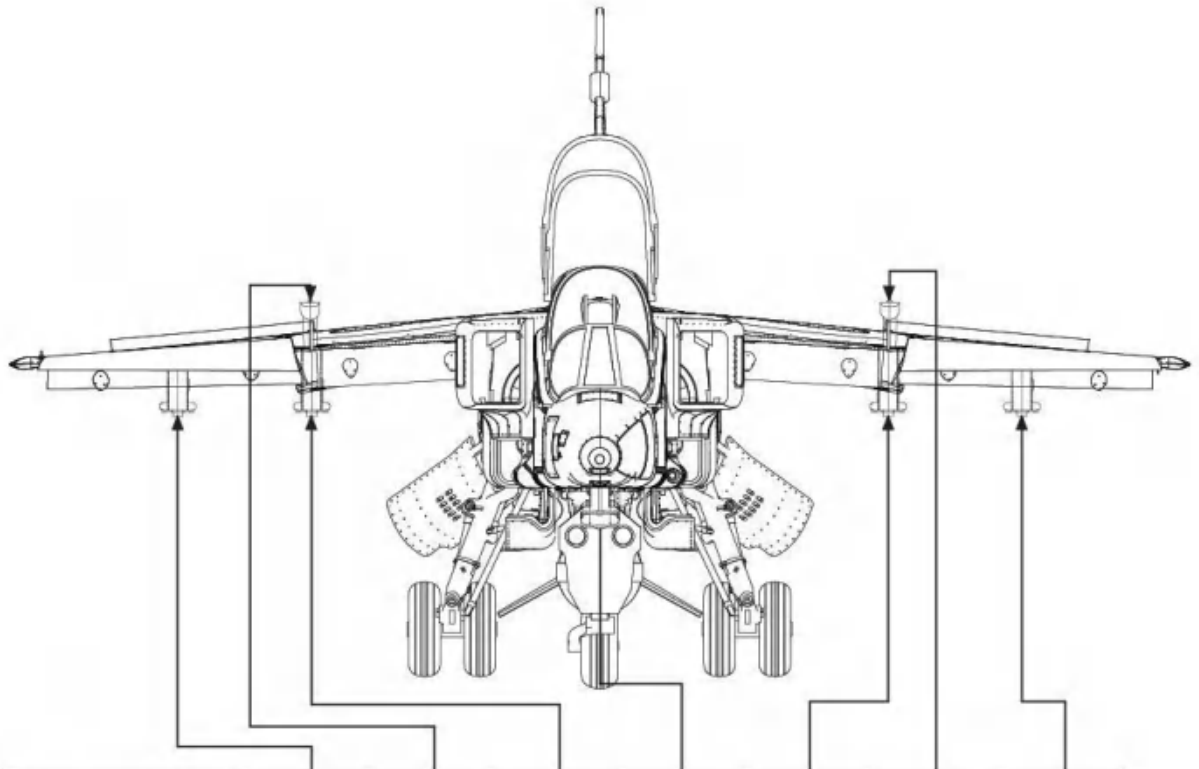
《OBL755》
制作兩組
Make Two



《BGL480》
制作兩組
Make Two

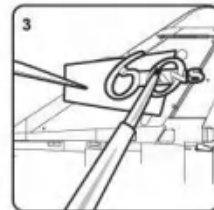
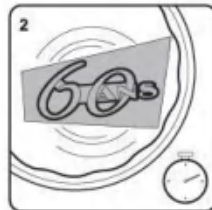


《Matra 155》
制作兩組
Make Two



Sta.No.	1	2	3	4	5	6	7
Missile/Tank							
《Fuel tank》				●			
《Matra155》	●						●
《OBL755》	●						●
《BGL480》			●		●		
《AIM-9M》		●				●	

DECAL APPLICATION

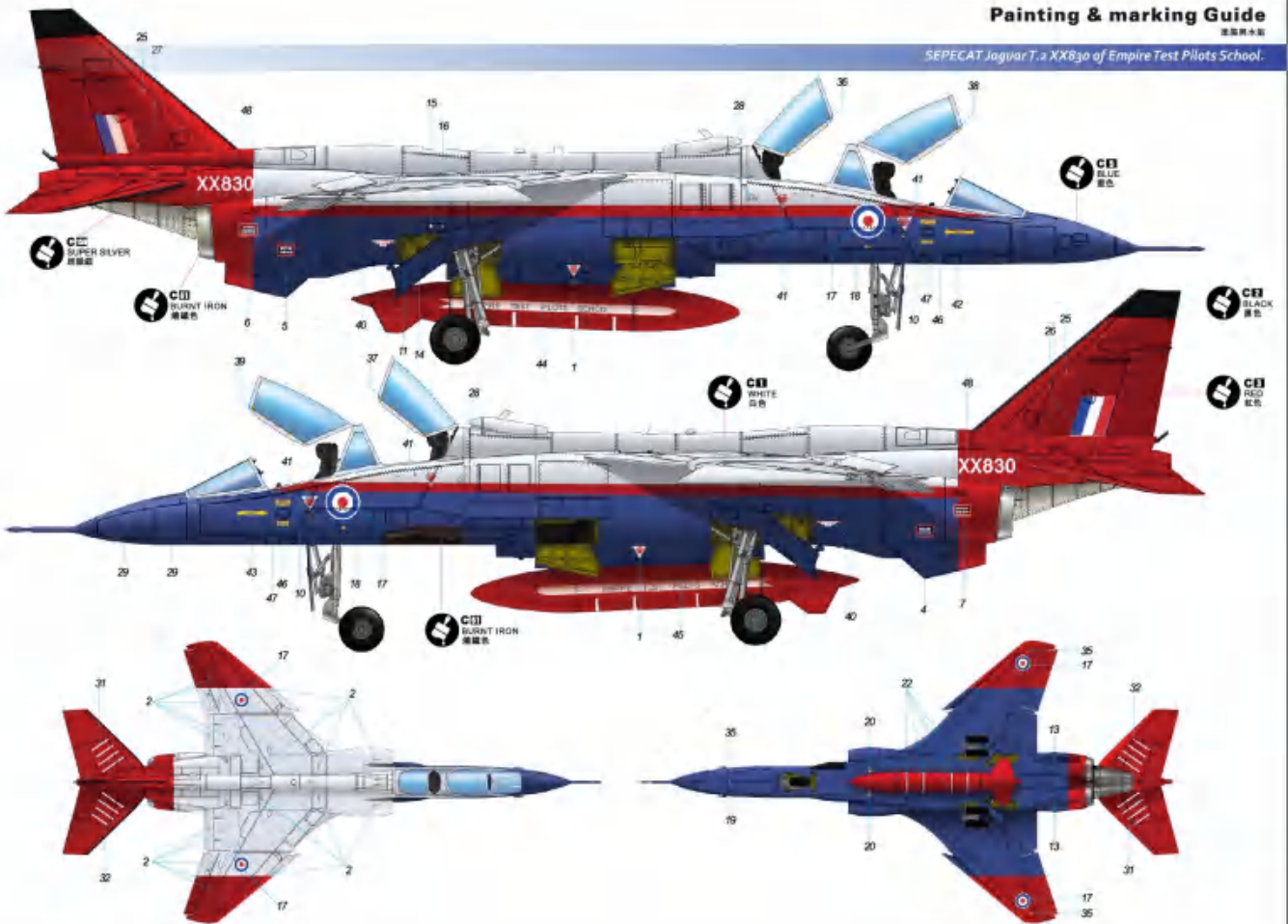


1. Cut off decal from transfer sheet.
2. Dip the decal in water for about 10 seconds (may take more seconds if in low temperature), and place on a clean cloth.
3. Hold the backing paper edge and slide decal onto the model. Then move decal into position by wetting decal with brush or finger.
4. Press decal gently down with a soft cloth until excess water and air bubbles are gone.

Painting & marking Guide

涂装与标识

SEPECAT Jaguar T.2 XX830 of Empire Test Pilots School.



Painting & marking Guide

涂装与标记

SEPECAT Jaguar T.2 XX842: 33 of 45pt.

