

**Instruction**

模型拼装说明书

**1:48 Scale**



# “Dauphin II” SA.365N



张一鸣

1:48 SA.365N “海豚” 直升机

**ZM80107**

# READ BEFORE ASSEMBLY

在組合您的模型之前，請充分閱讀本冊說明書，組合模型您需要如下物品（需另購）：模型膠水；一把模型鉗或一把用于將零件從框架上切下的模型筆刀。筆刀同樣可以用來修整零件的合模綫。祝您制作愉快！

Before assembling your model kit, read through these instructions carefully. To assemble this kit, you will need Plastic glue (not included). A pair of side cutter or a sharp modelling knife is required for removing parts from the frame. Plastic mold lines can be removed with the modelling knife.

- 

**請注意**  
Special instructions
- 

**隨愛好選擇**  
Optional
- 

**組合完成**  
Finished Assembly
- 

**彎曲**  
Bend
- 

**制作兩組**  
Make Two
- 

**鉗孔**  
Make Hole
- 

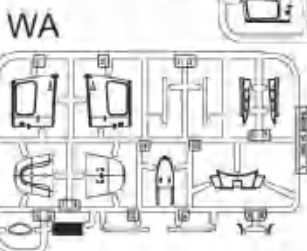
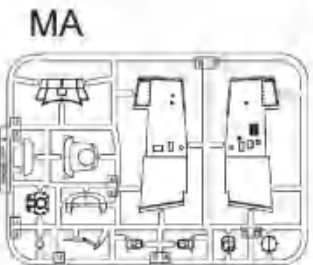
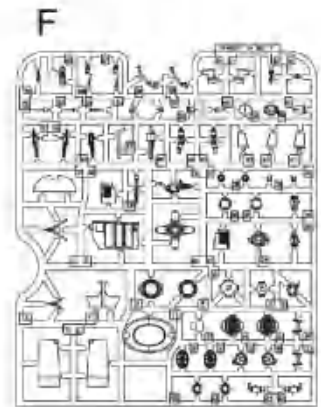
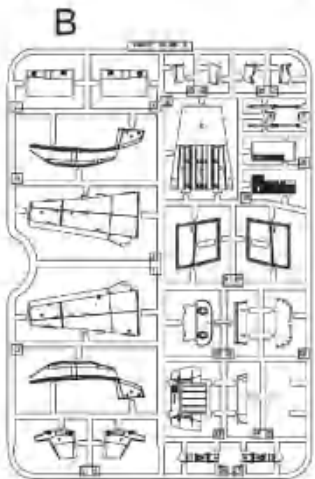
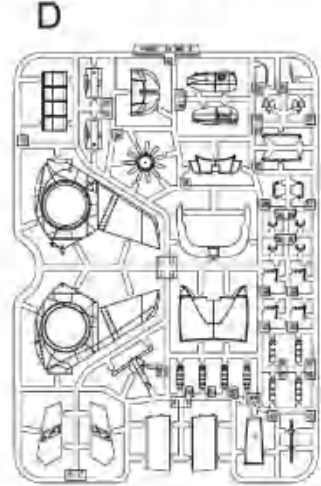
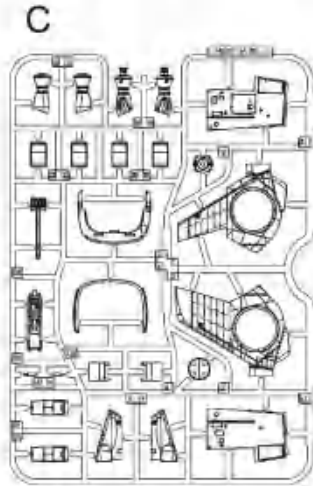
**塗色**  
Painting
- 

**無需膠粘**  
Do Not Cement
- 

**切除**  
Cut
- 

**對側**  
Opposite

## 部品图 Part



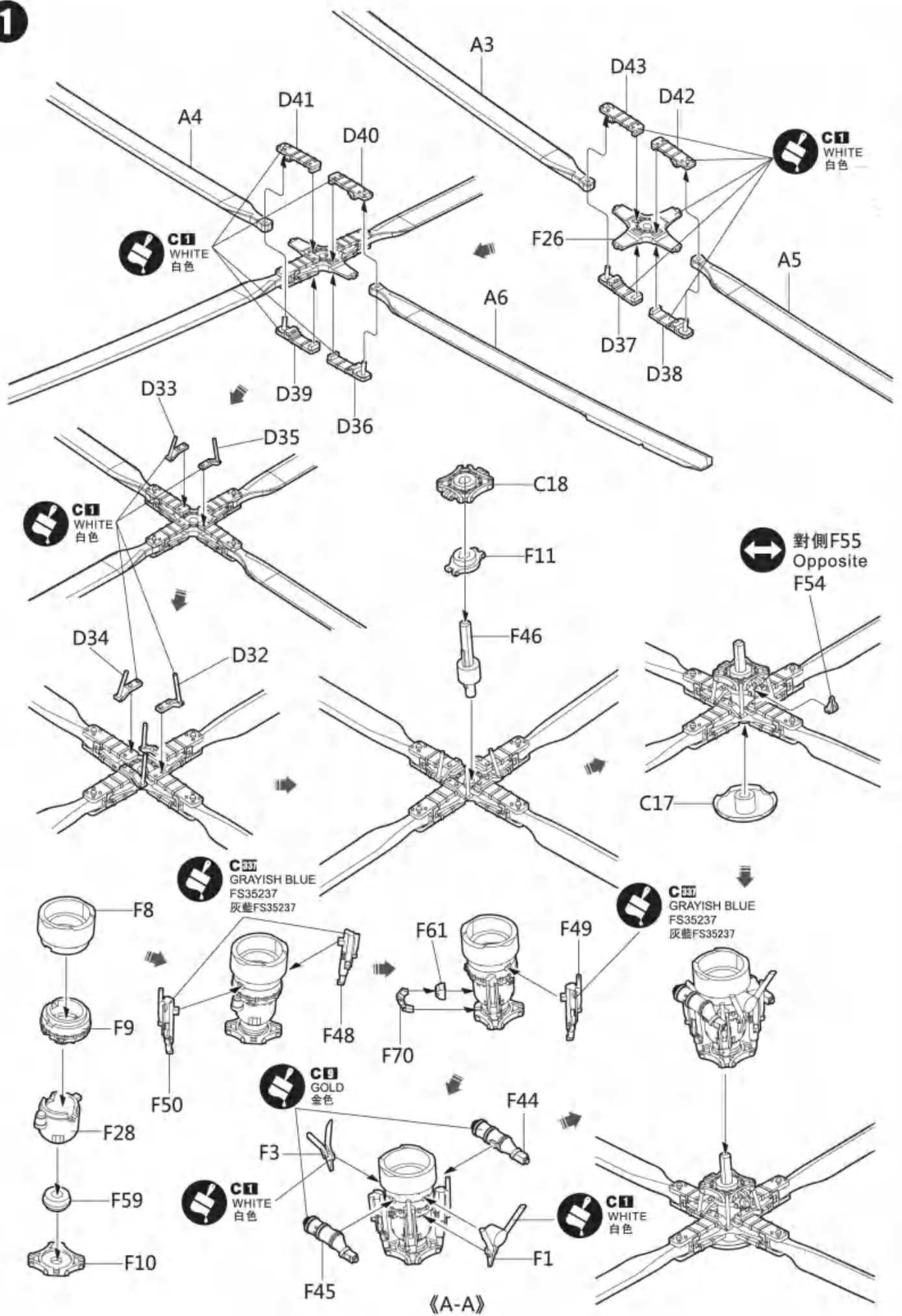
Decal A  
水貼紙A



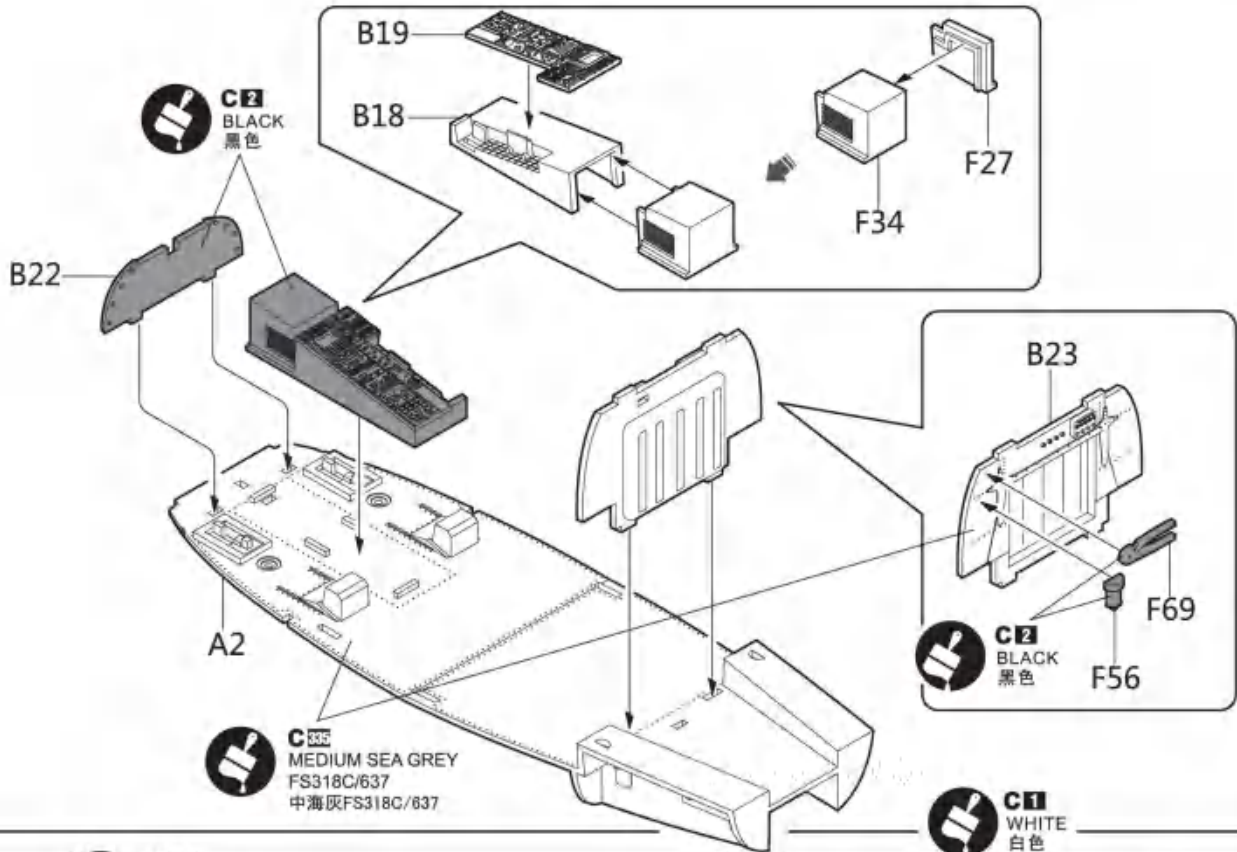
PE  
蚀刻片



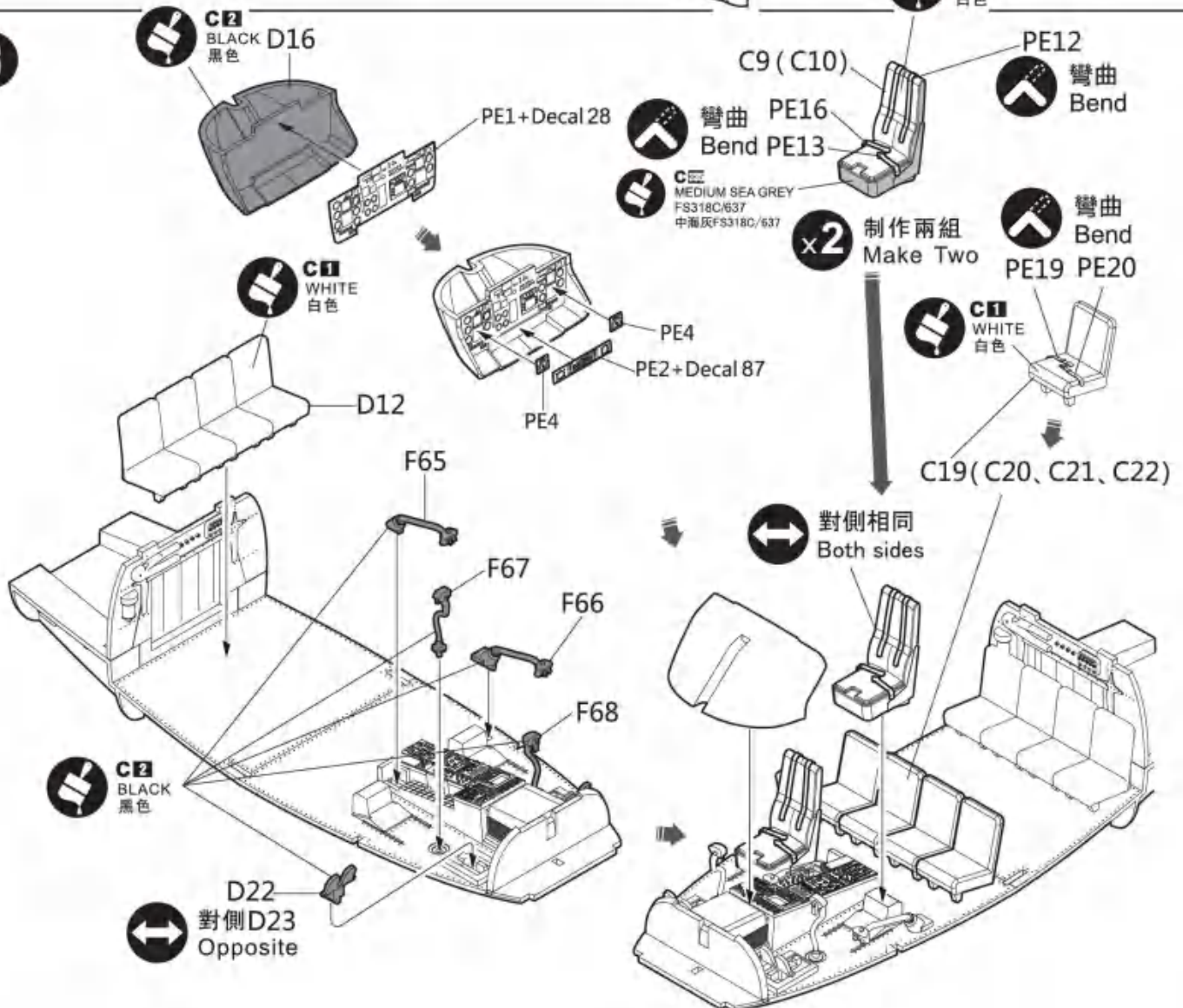
1



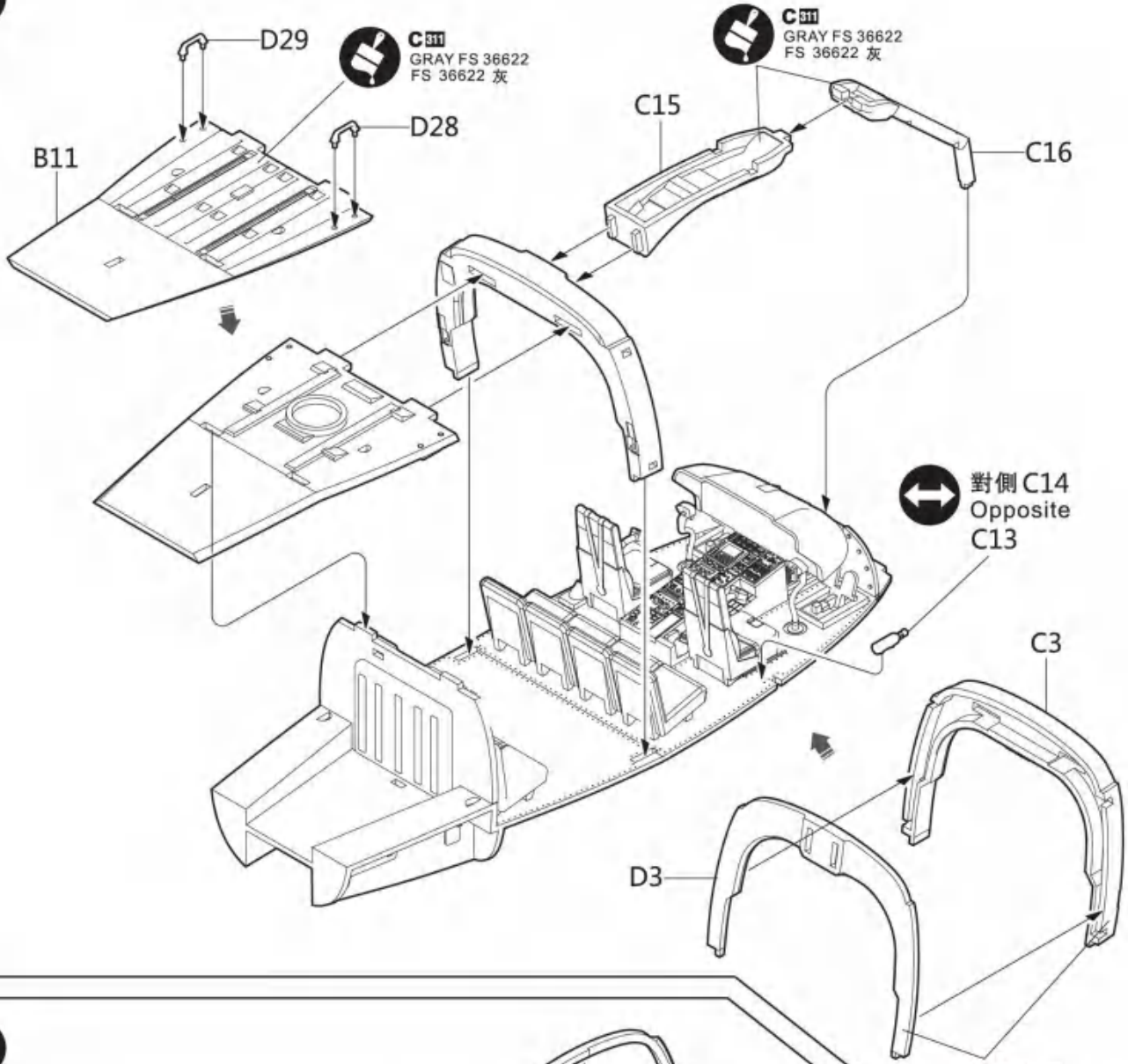
2



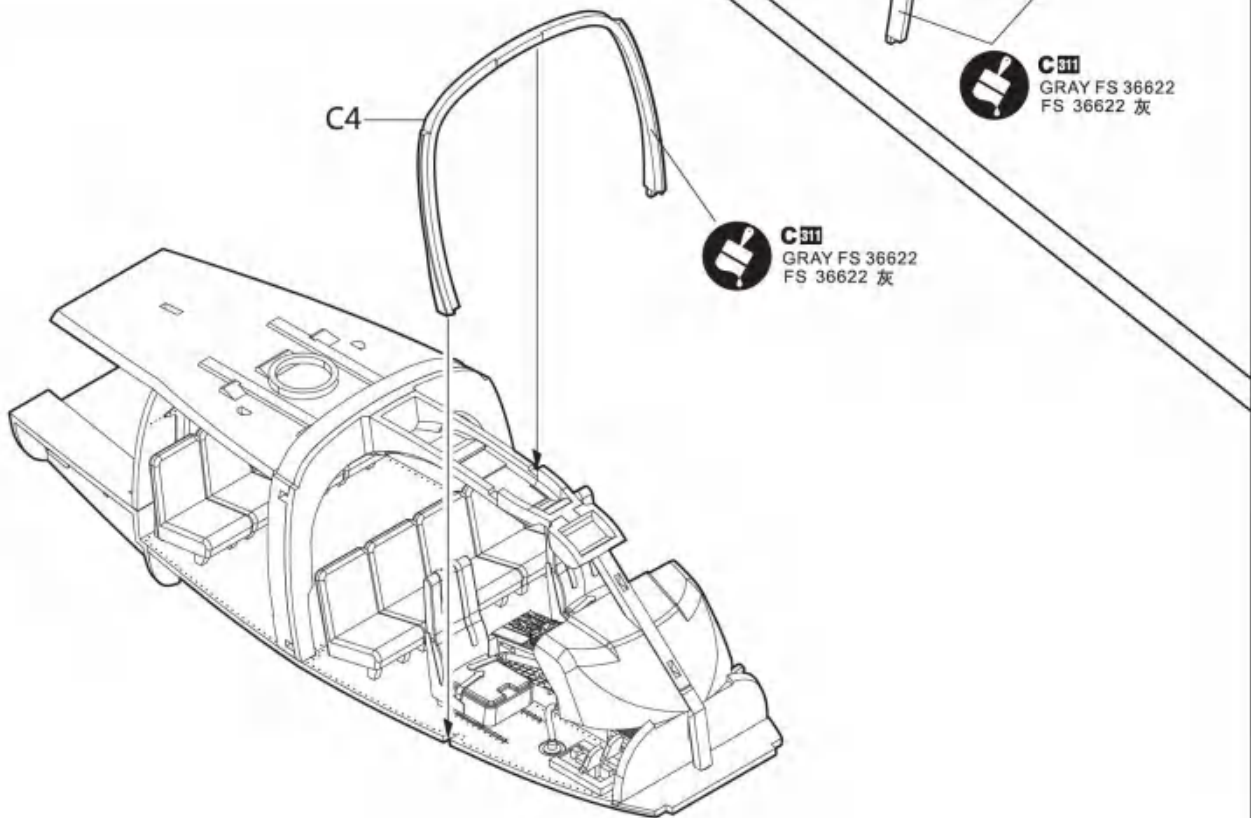
3



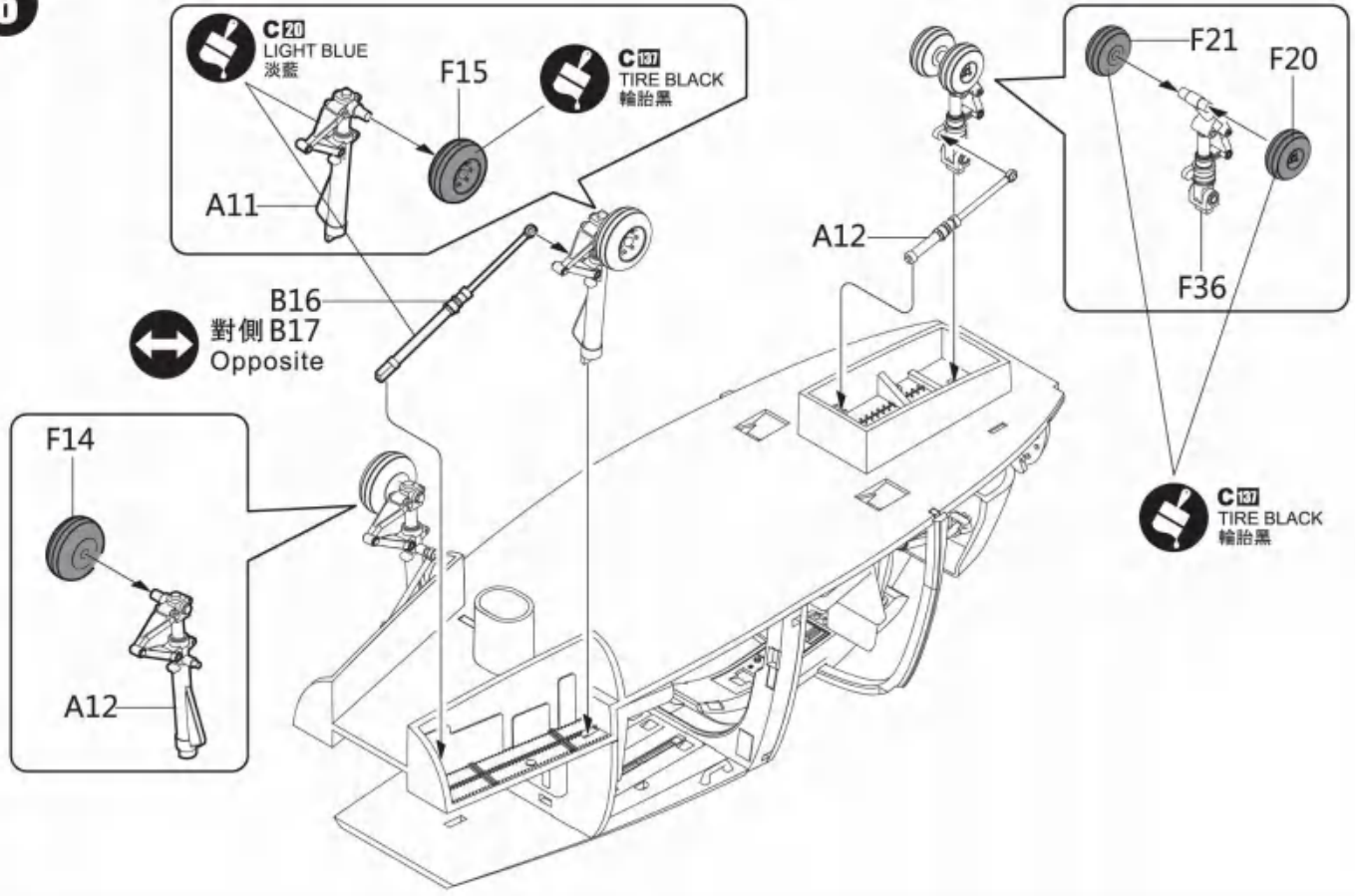
4



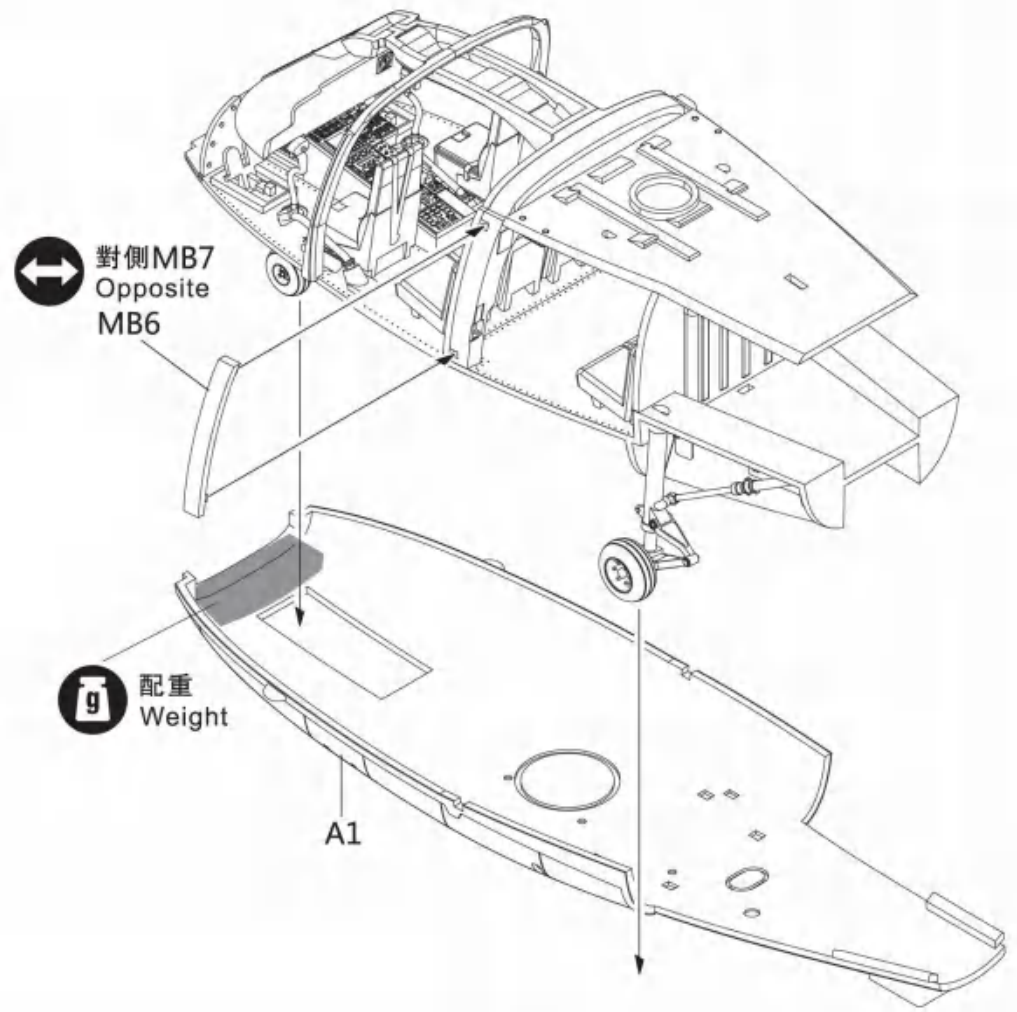
5



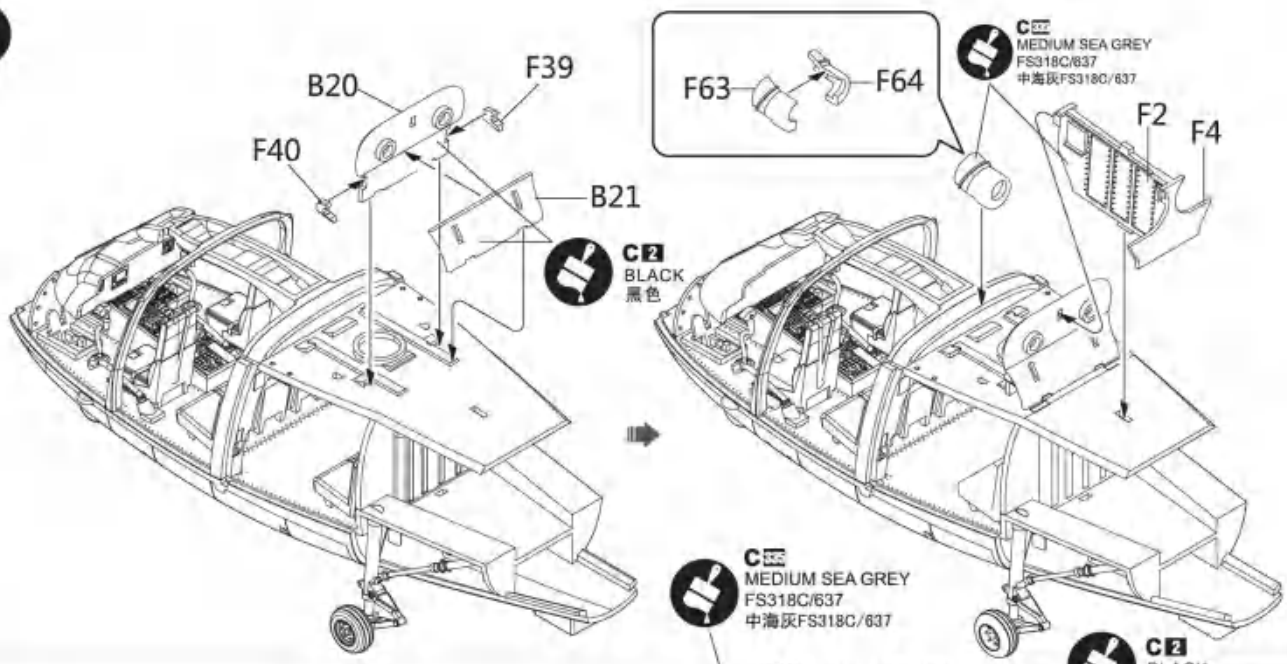
6



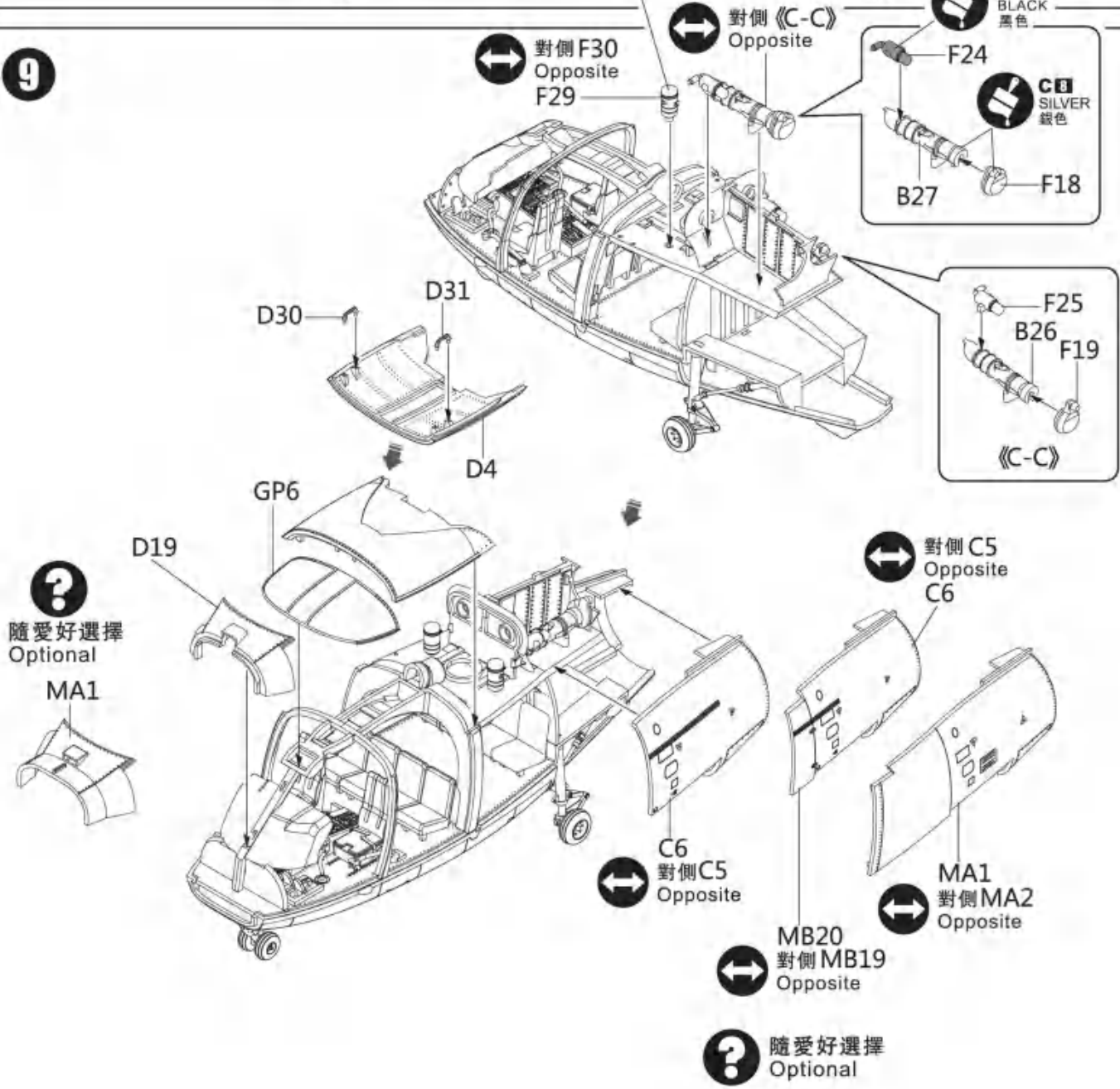
7



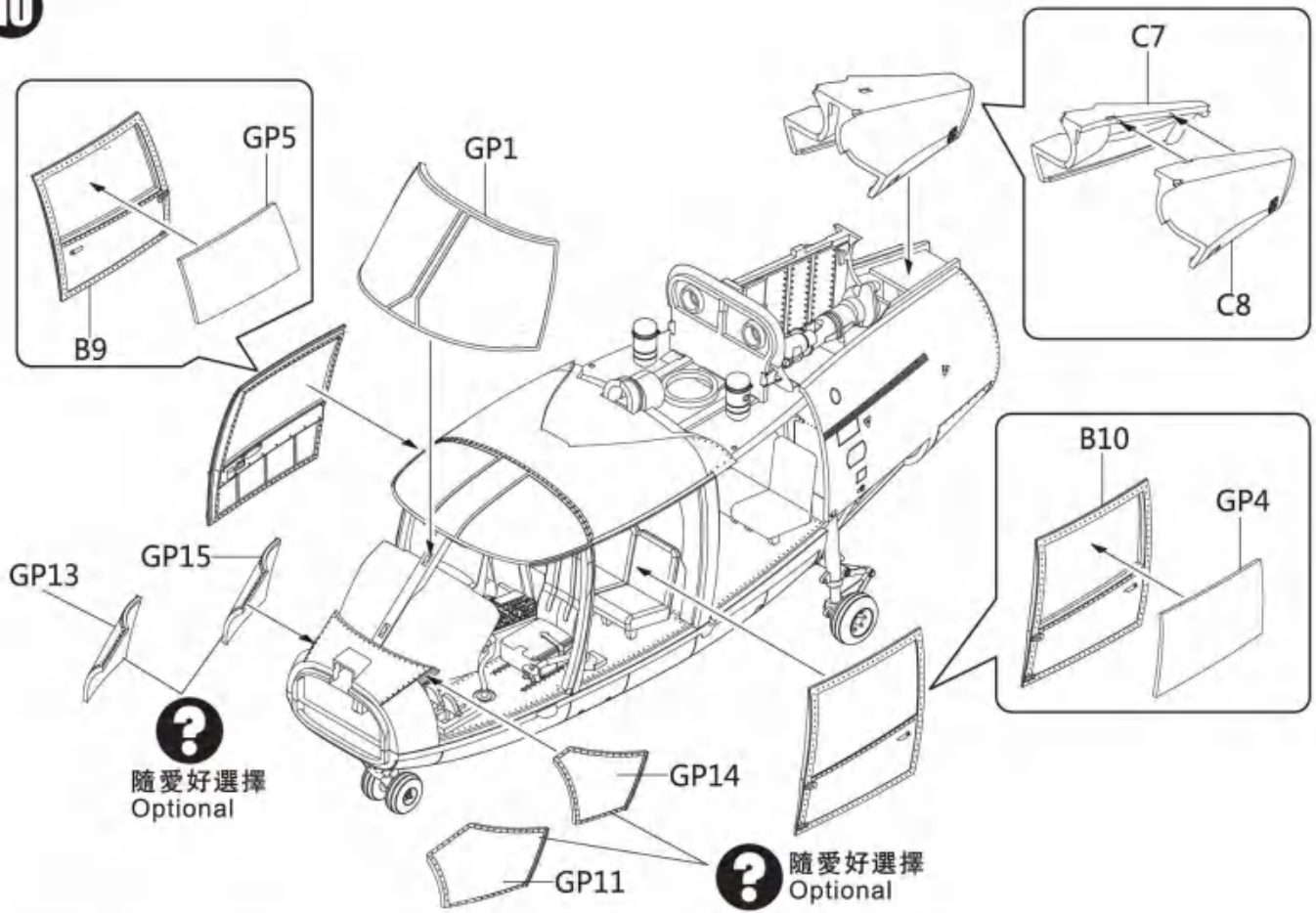
**8**



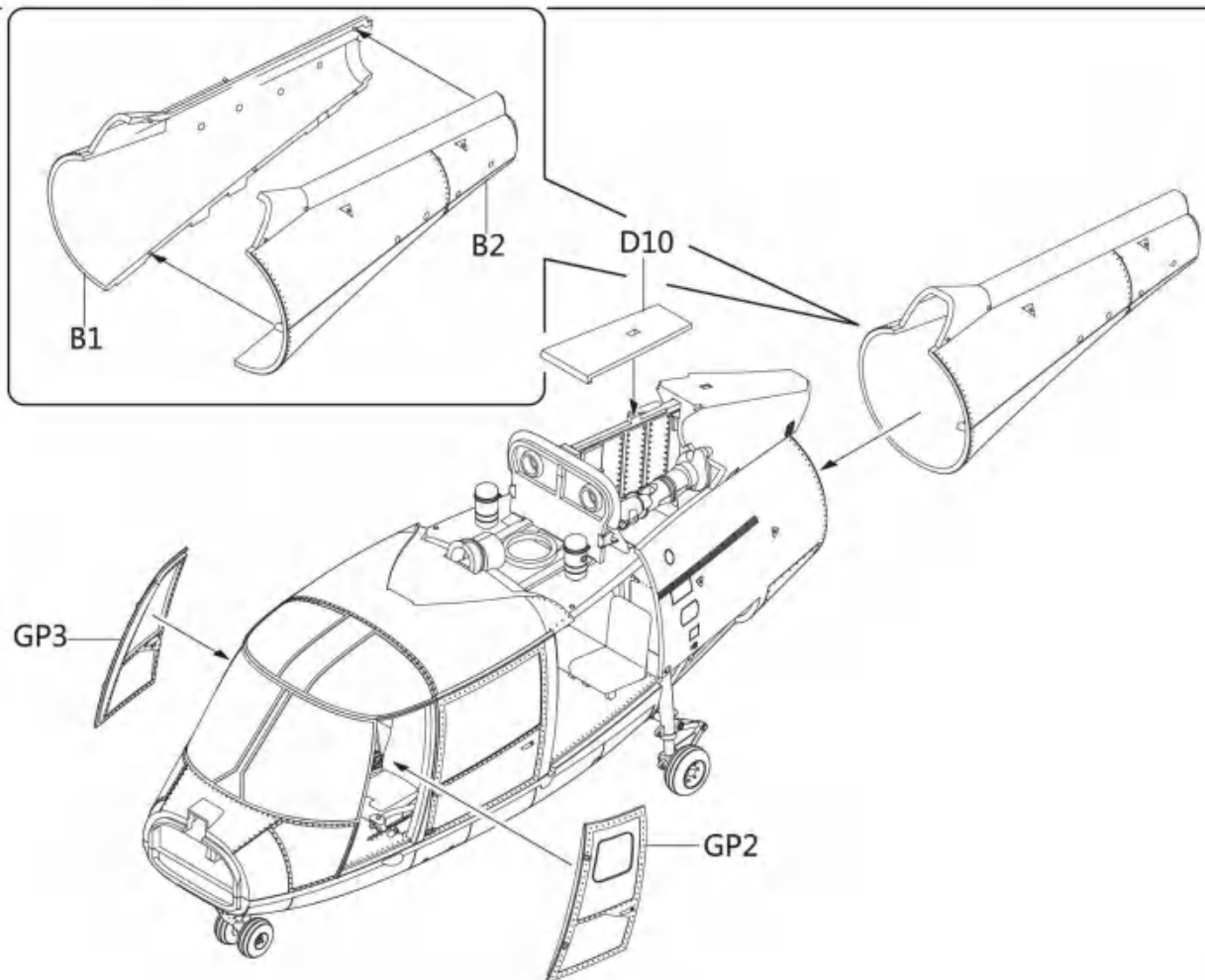
**9**



10

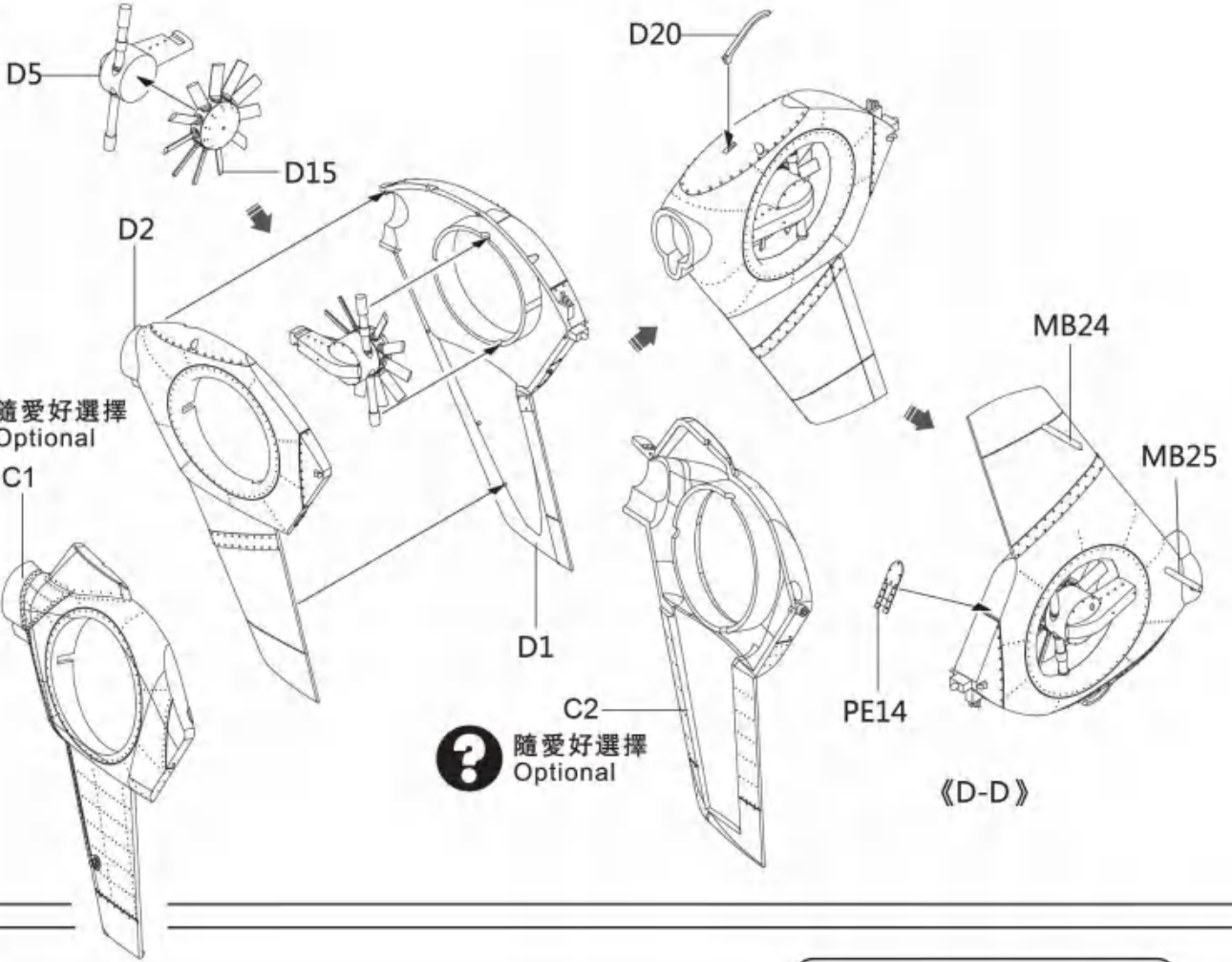


11

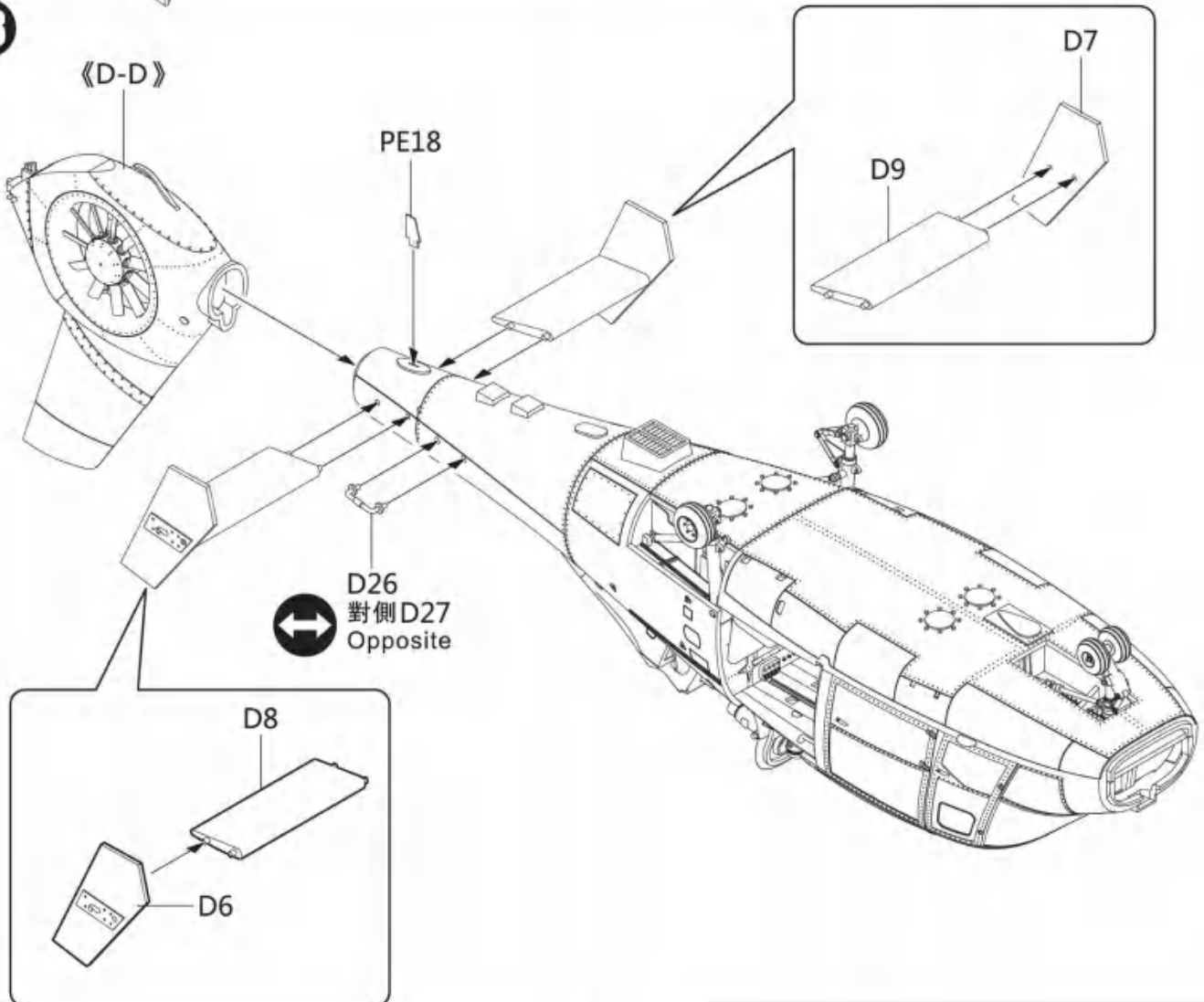




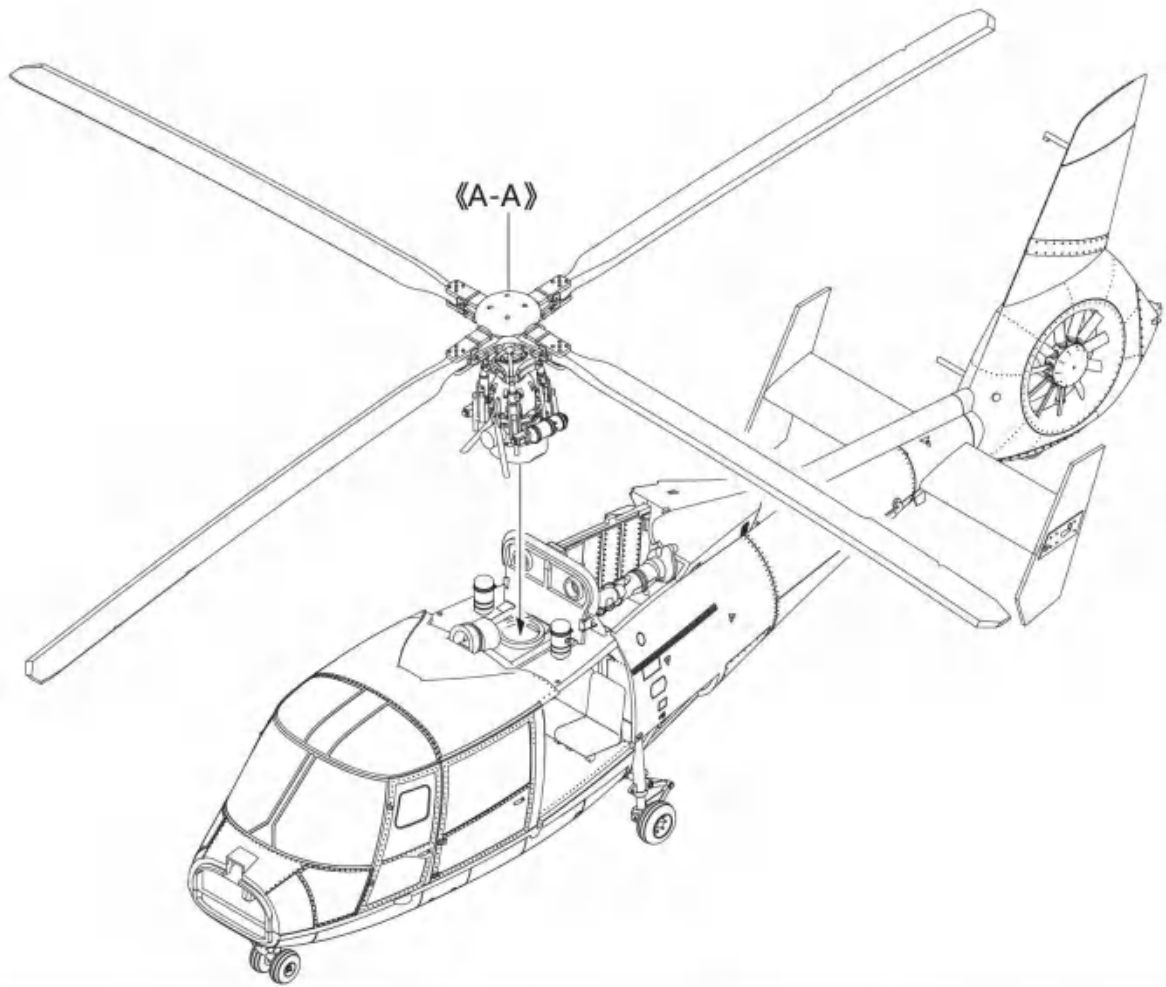
12



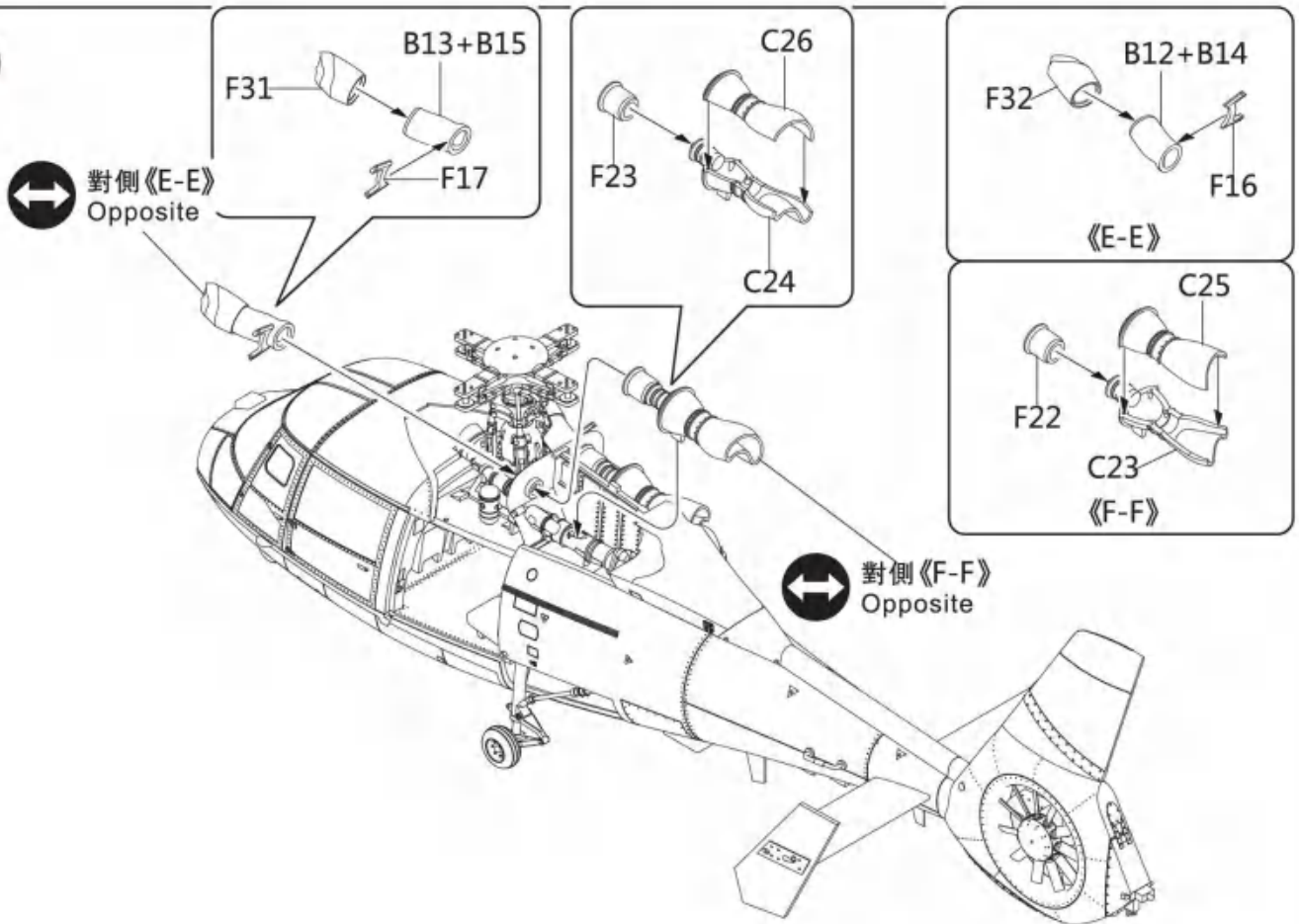
13



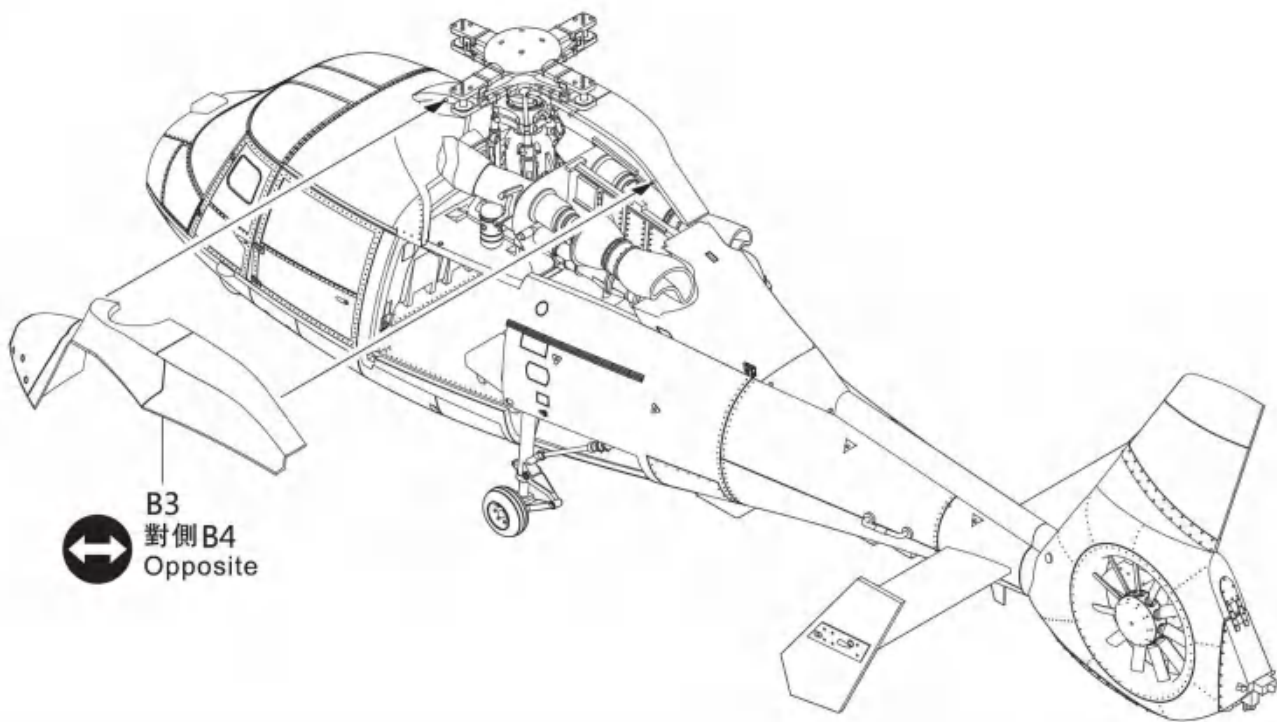
14



15

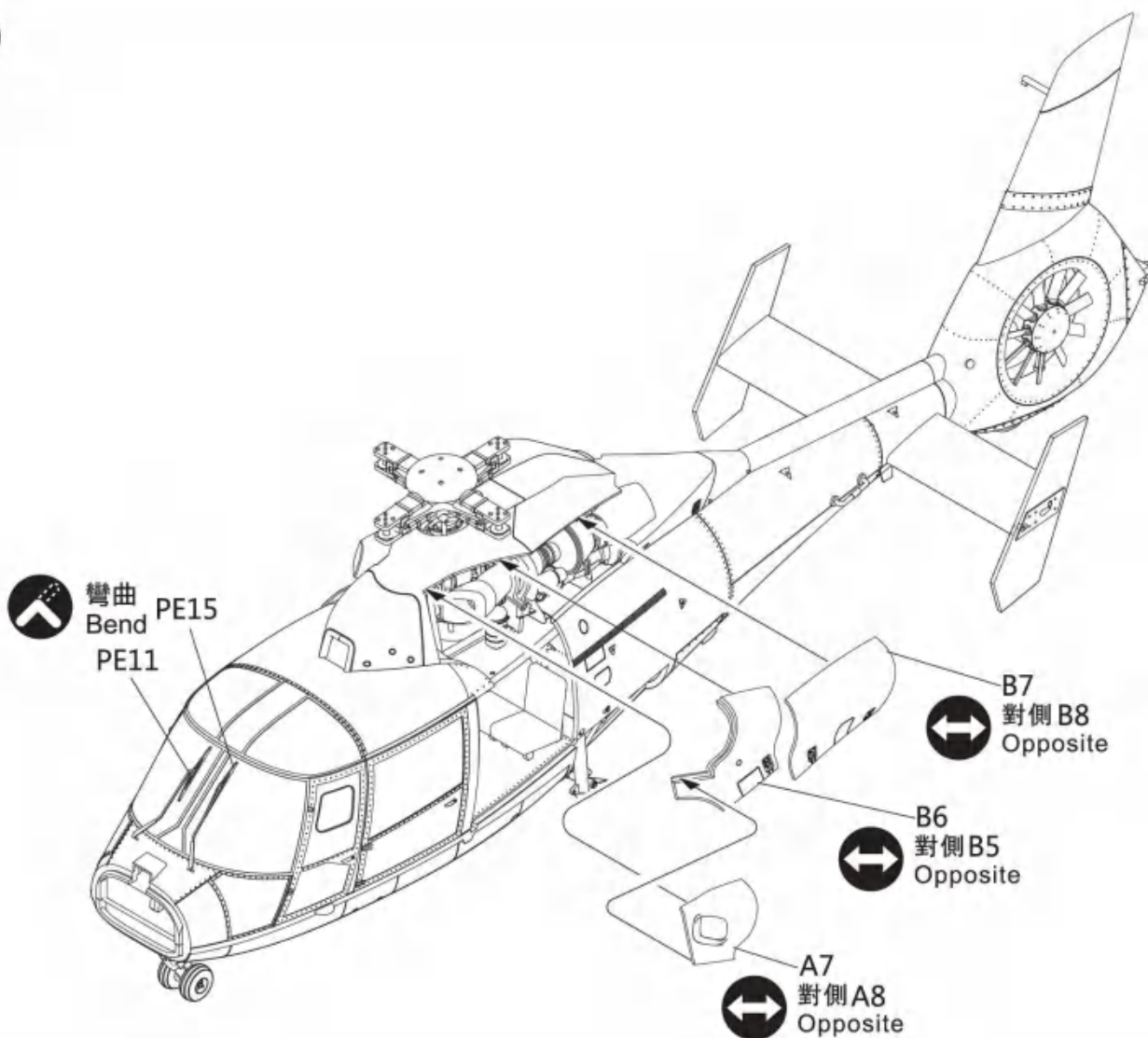


16



B3  
對側B4  
Opposite

17



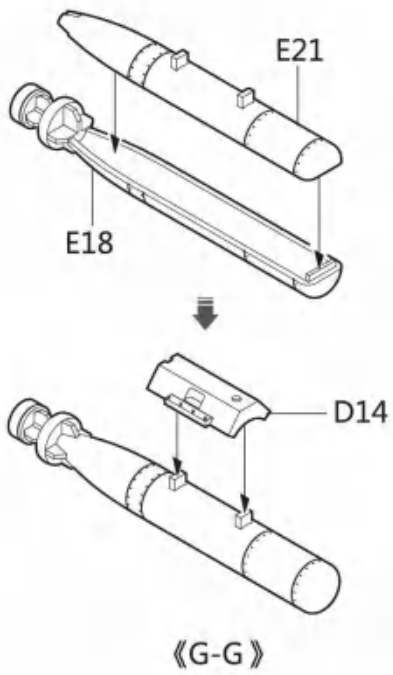
彎曲  
Bend PE15  
PE11

B7  
對側B8  
Opposite

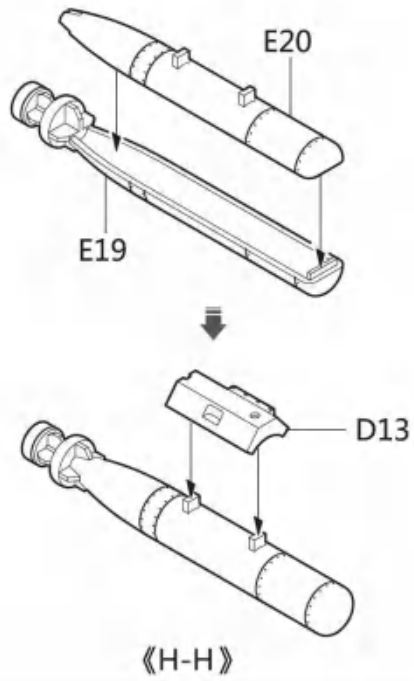
B6  
對側B5  
Opposite

A7  
對側A8  
Opposite

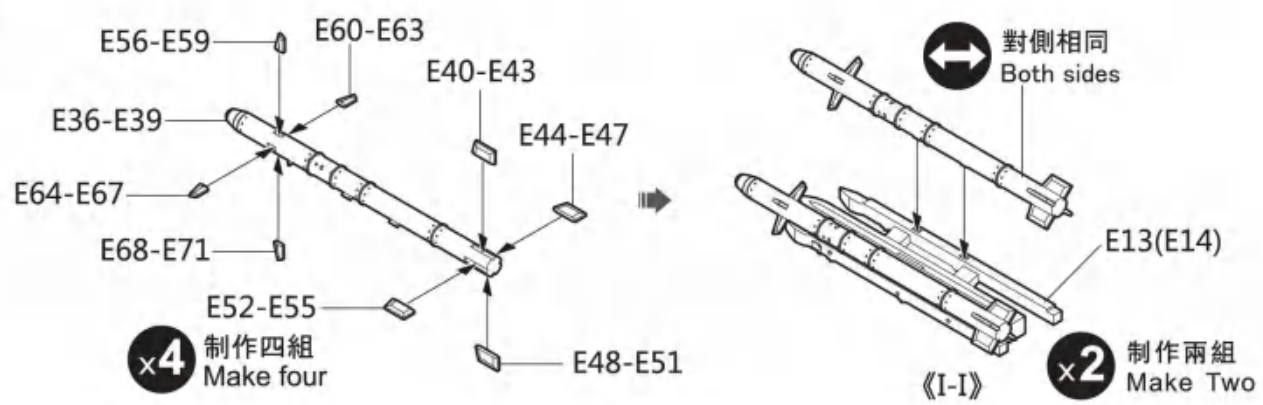
18



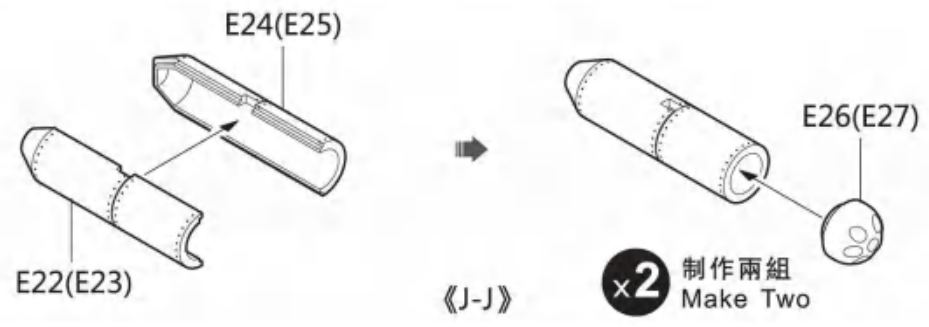
19



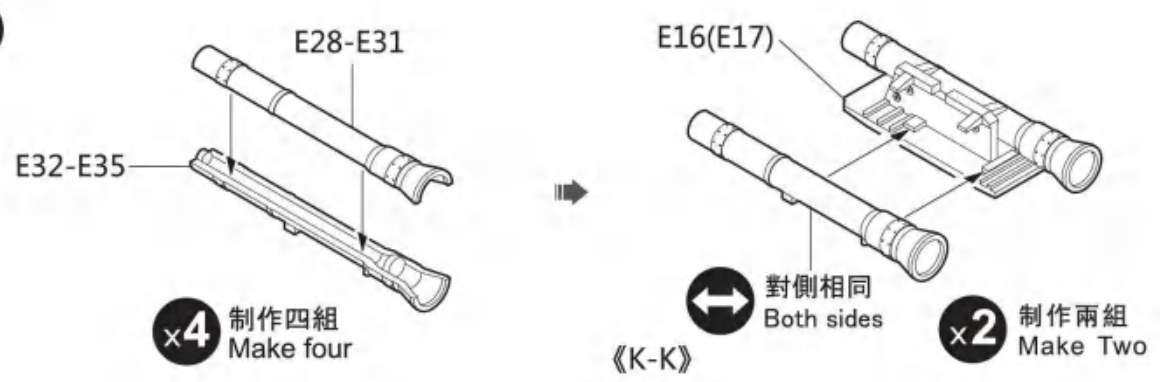
20



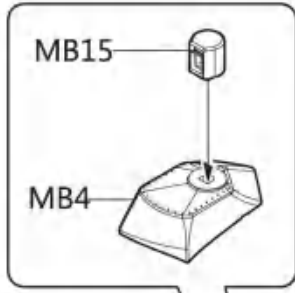
21



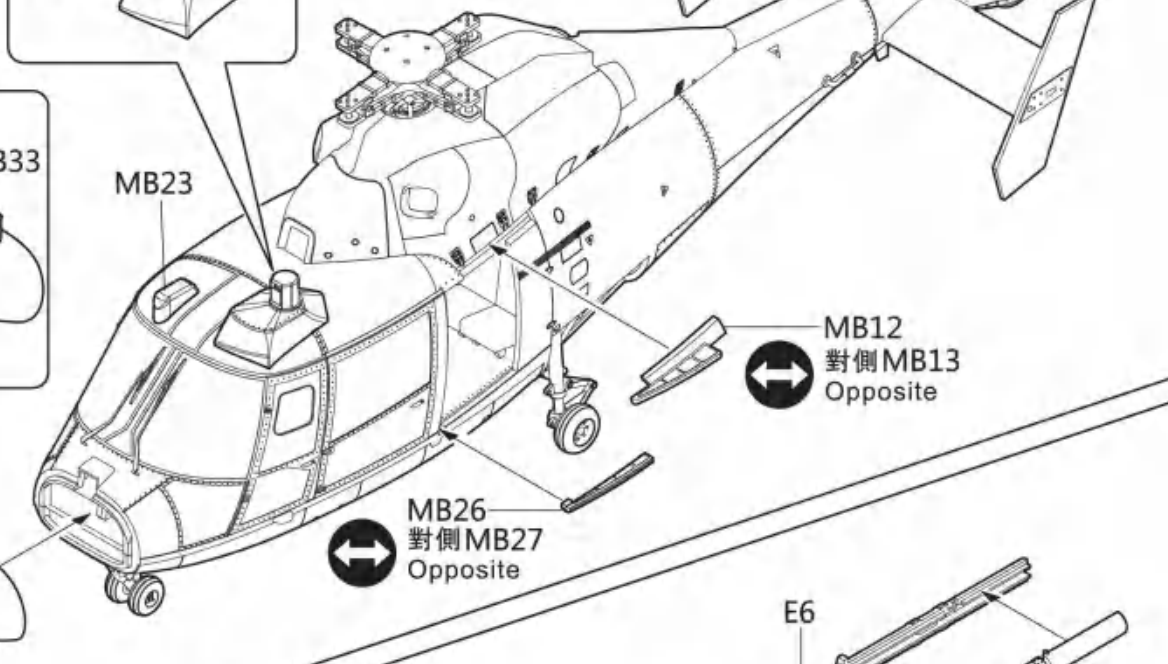
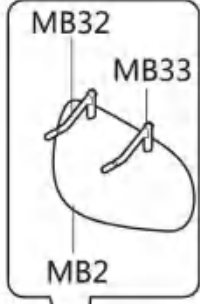
22



23

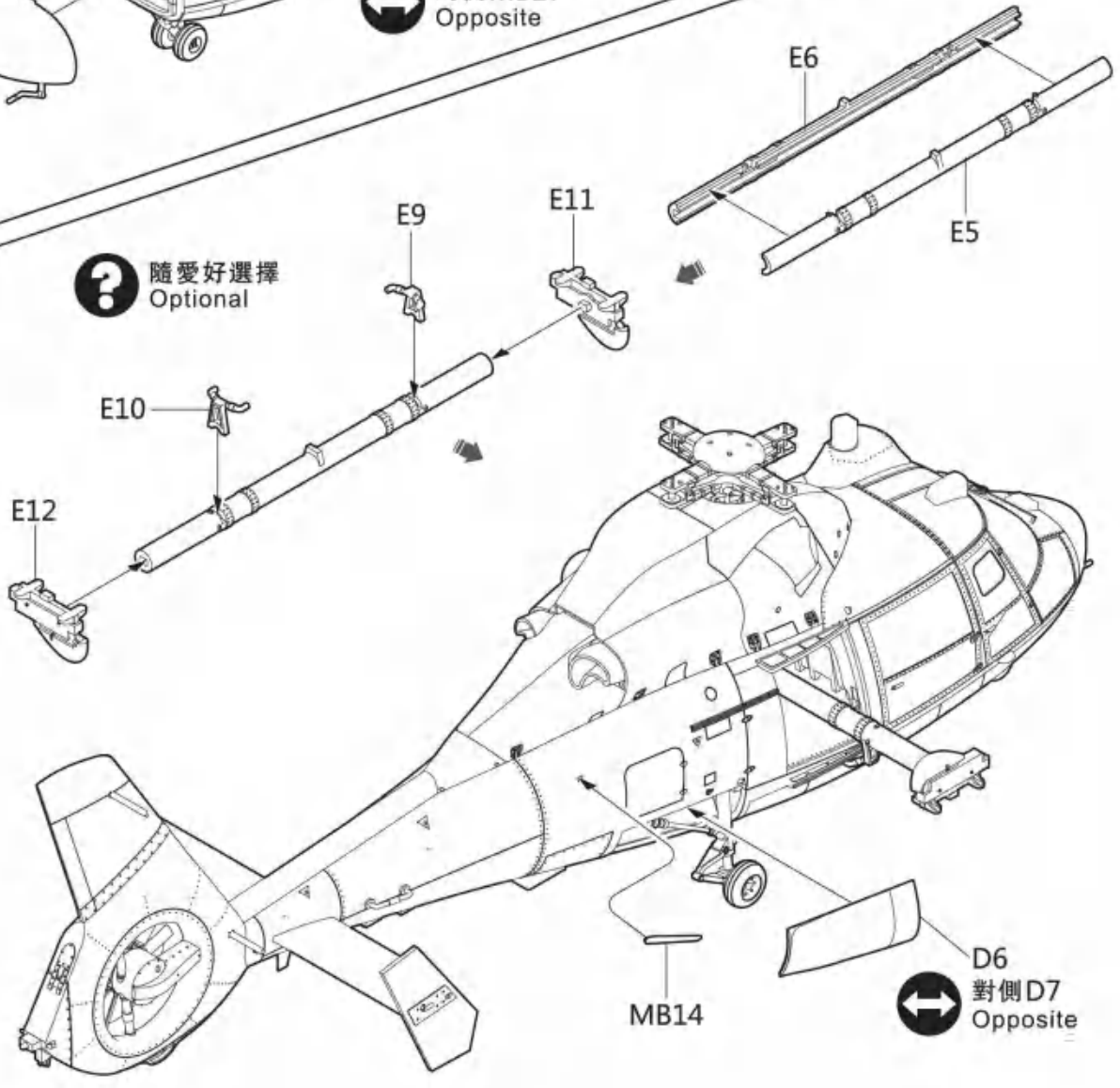


? 隨愛好選擇  
Optional



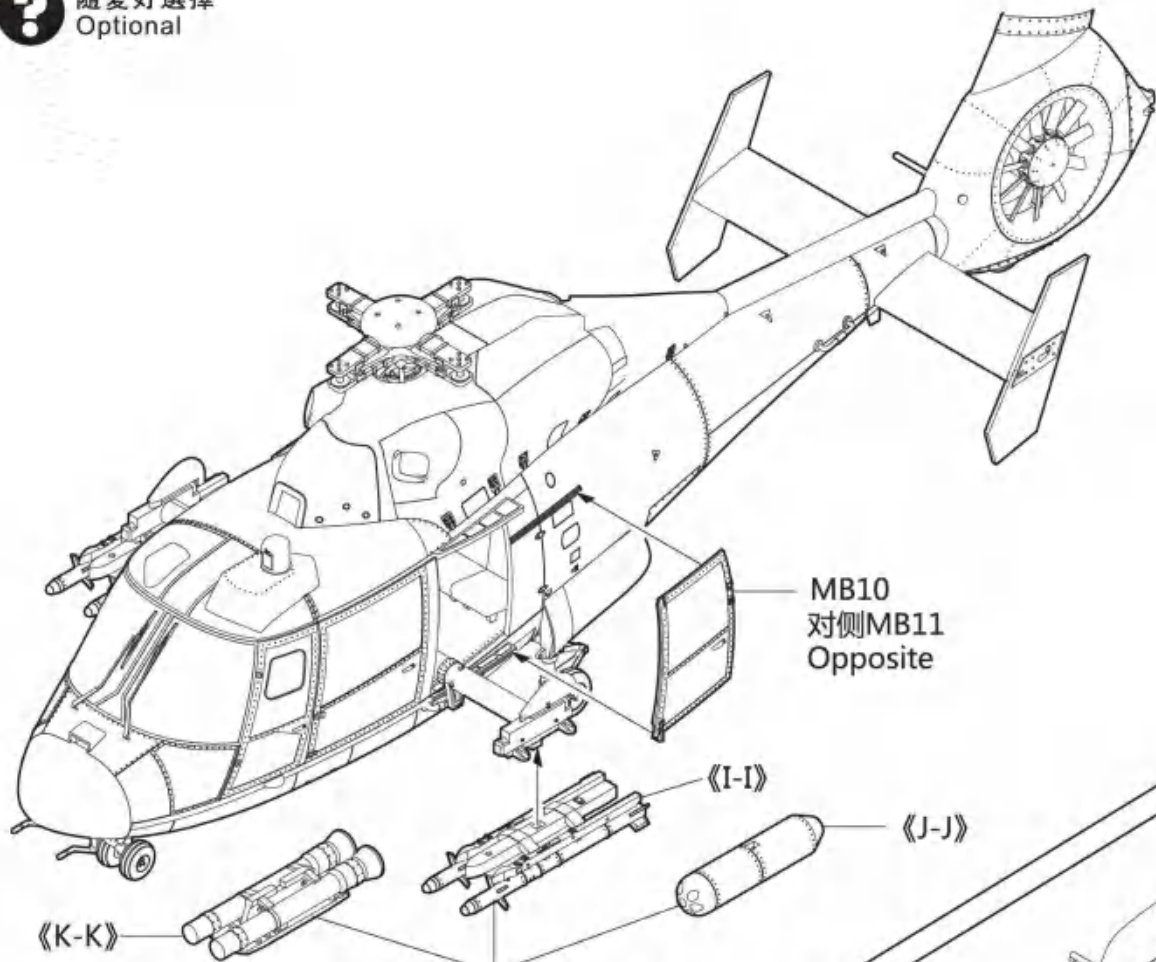
24

? 隨愛好選擇  
Optional



25

? 隨愛好選擇  
Optional



↔ 對側相同 Both sides ? 隨愛好選擇 Optional

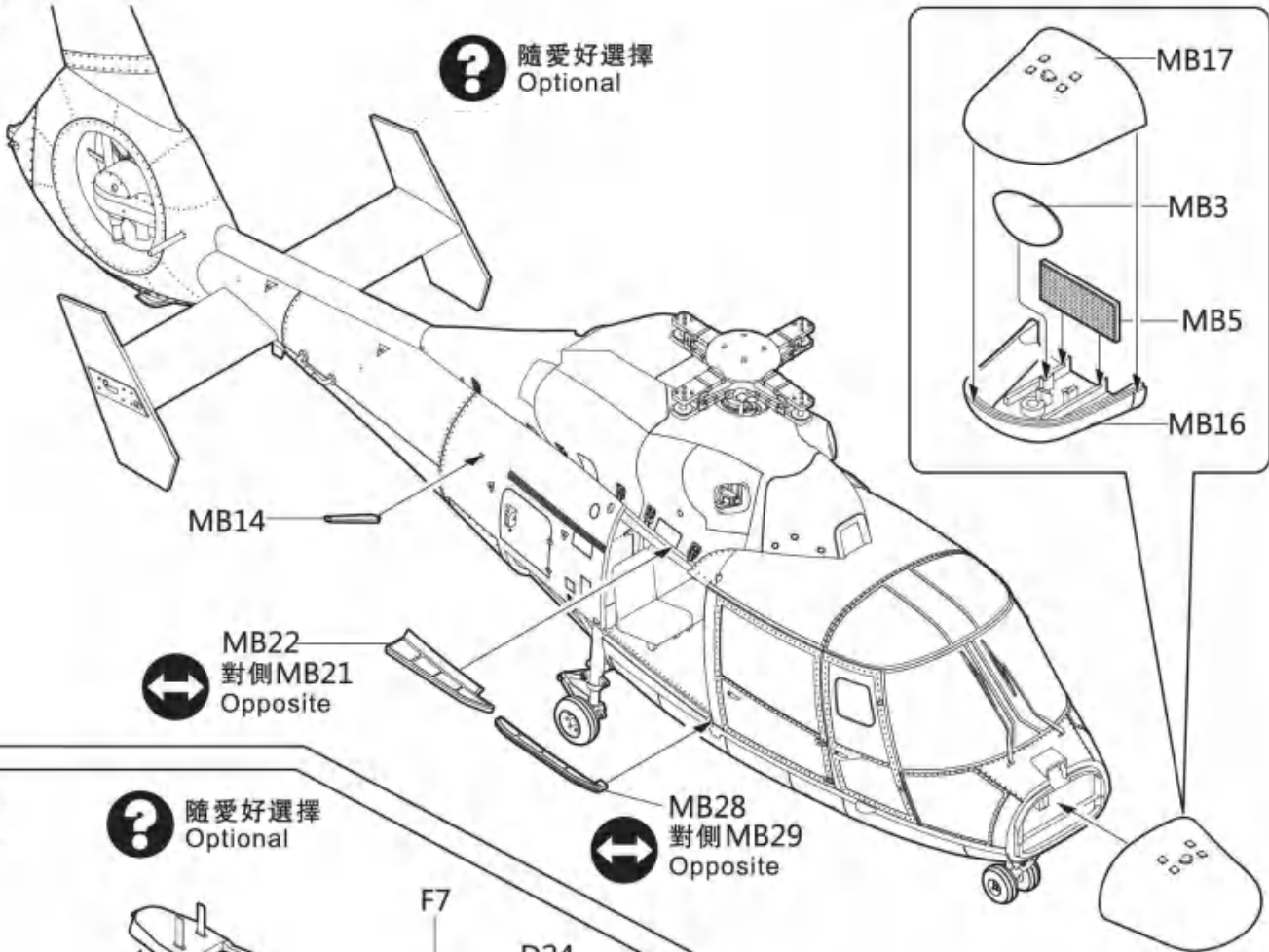
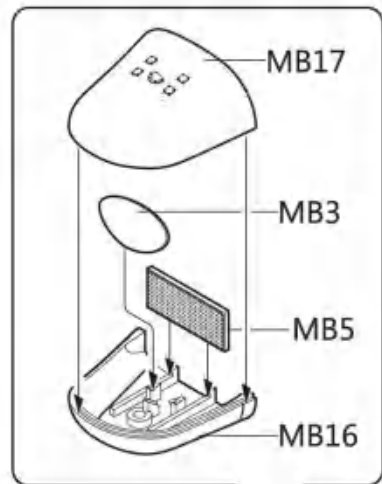
26

? 隨愛好選擇  
Optional



27

? 隨愛好選擇  
Optional



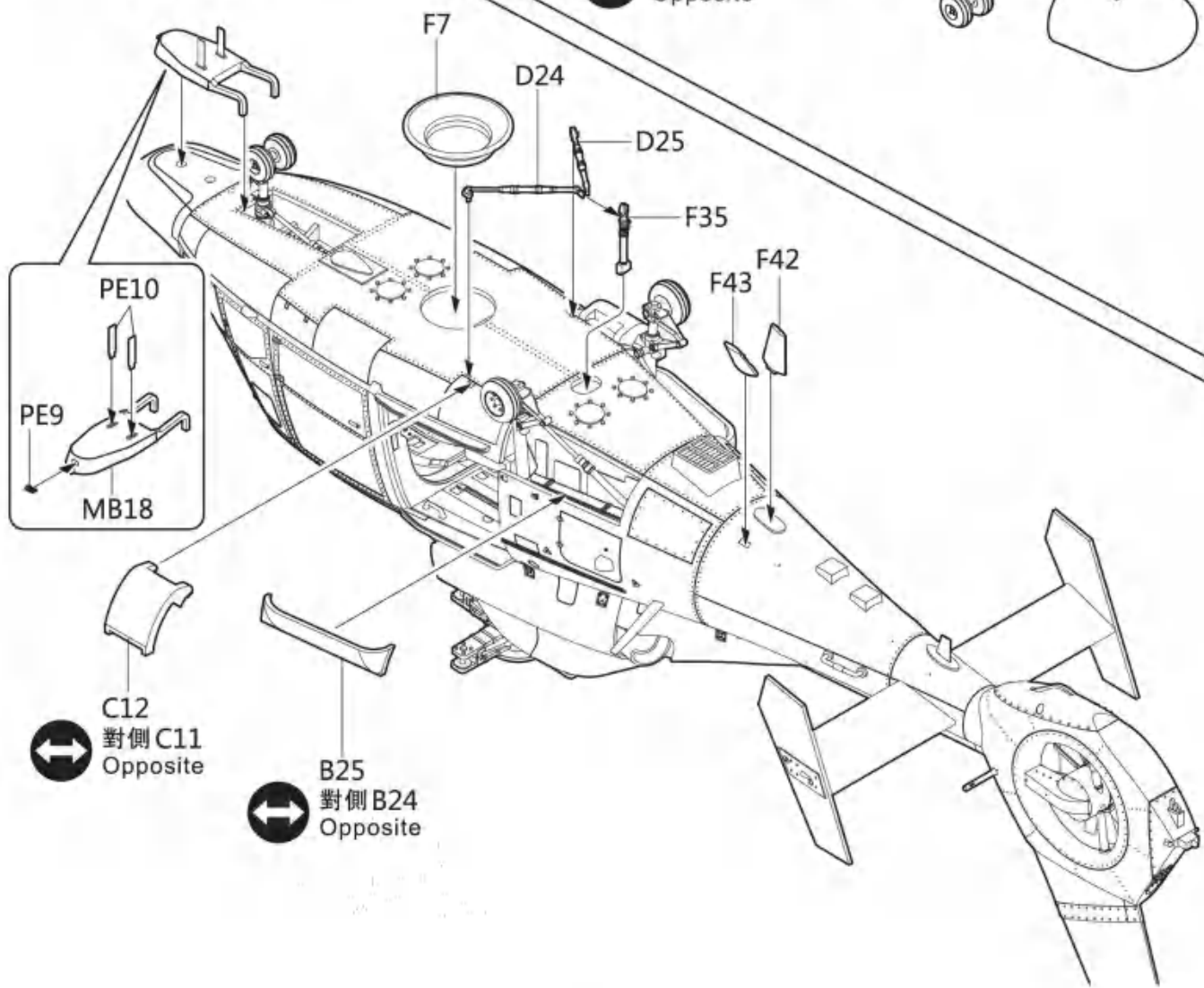
MB14

MB22  
對側MB21  
Opposite

MB28  
對側MB29  
Opposite

28

? 隨愛好選擇  
Optional



F7

D24

D25

F35

F43

F42

PE10

PE9

MB18

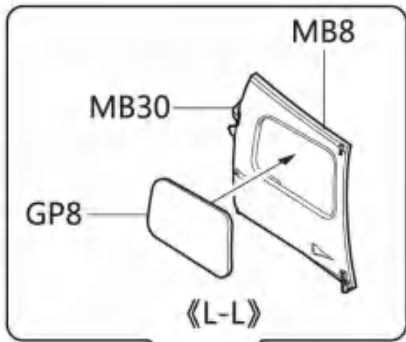
C12

對側C11  
Opposite

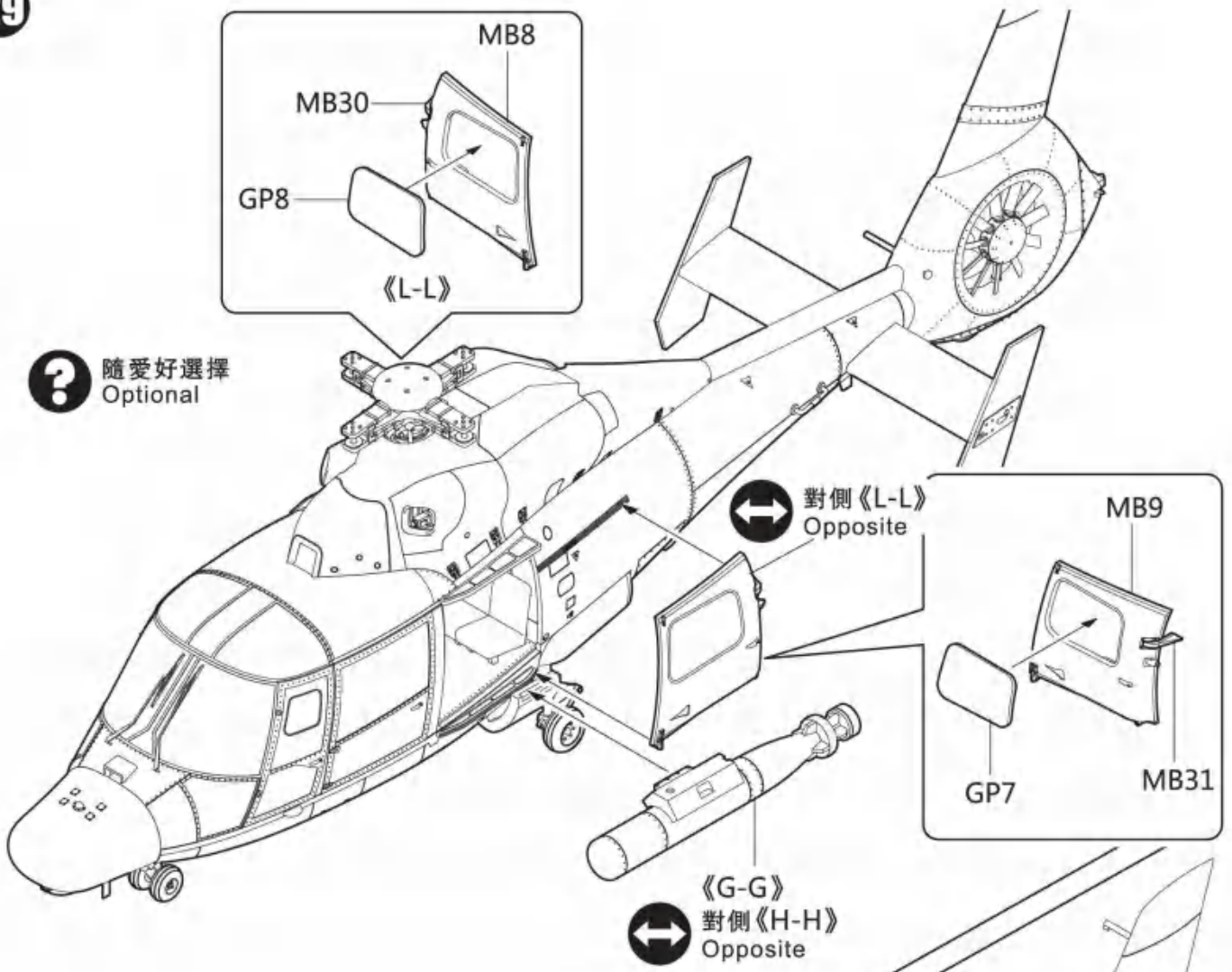
B25

對側B24  
Opposite

29



**?** 隨愛好選擇  
Optional



30

**?** 隨愛好選擇  
Optional





# Painting & marking Guide

塗裝與水貼

Sa.365N, French Marine.

