

1:48

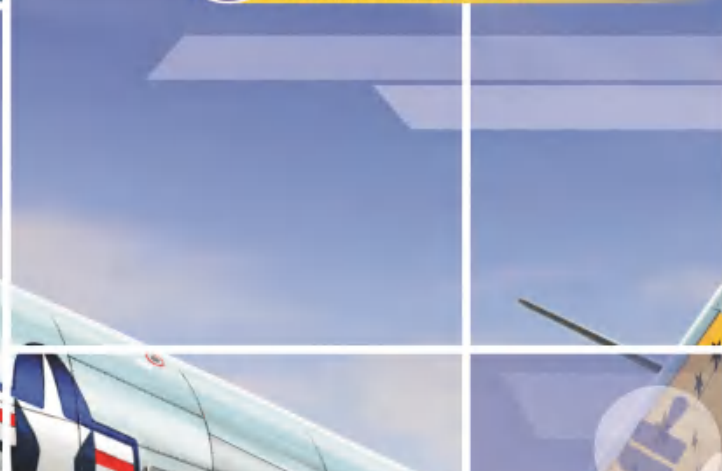
F-101 A/C “Voodoo”

拼装說明書

Instruction



RESEARCH MATERIALS
PROVIDED BY
DETAIL & SCALE
www.detailandscale.com



Instruction

1:48
F-101 A/C “巫毒”

ITEM NO. ZM80115

READ BEFORE ASSEMBLY

在組合您的模型之前，請充分閱讀本冊說明書。組合模型您需要如下物品（需另購）：模型膠水：一把模型鉗或一把用於將零件從框架上切下的模型筆刀。筆刀同樣可以用來修整零件的合模縫。祝您制作愉快！

Before assembling your model kit, read through these instructions carefully. To assemble this kit, you will need Plastic glue (not include). A pair of side cutter or a sharp modelling knife is required for removing parts from the frame. Plastic mould lines can be removed with the modelling knife.



請注意
Special instructions



隨愛好選擇
Optional



組合完成
Finished Assembly



制作兩組
Make Two



配重
Weight



塗色
Painting

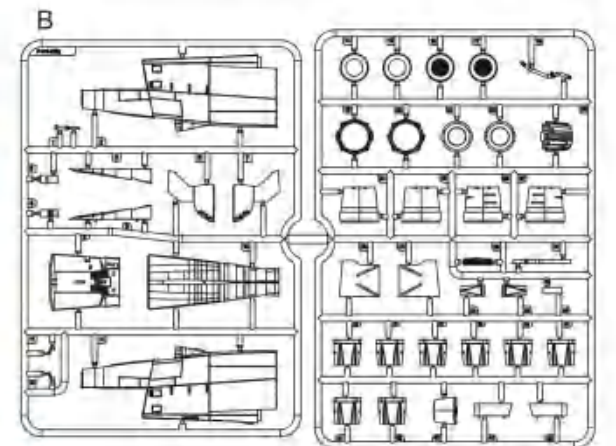
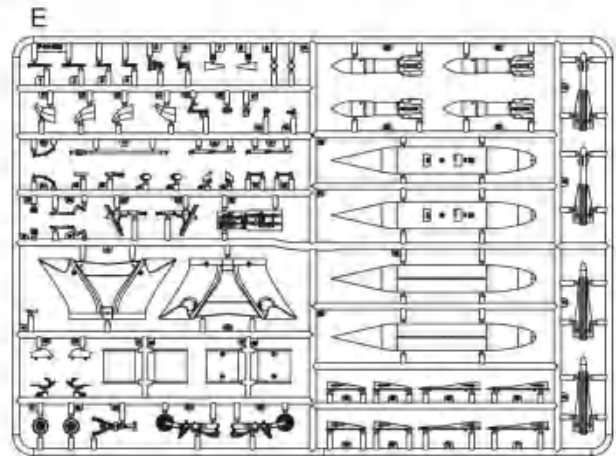
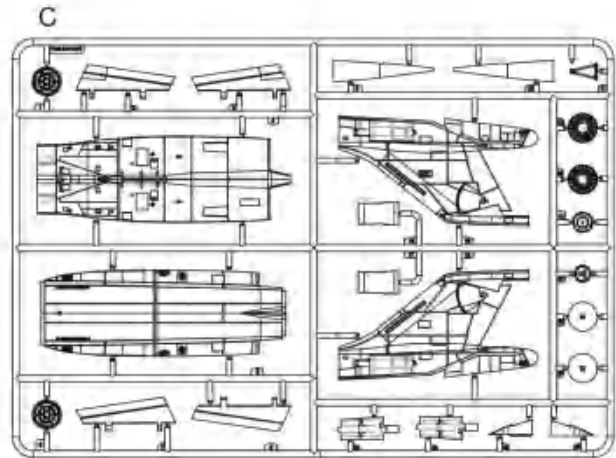
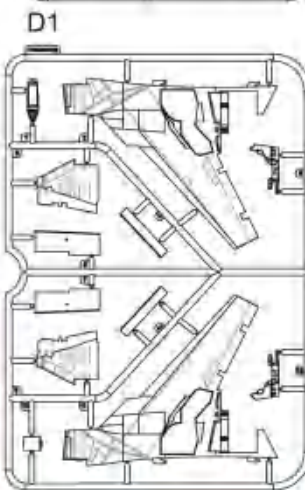
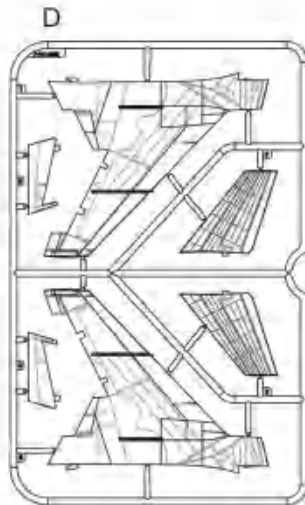
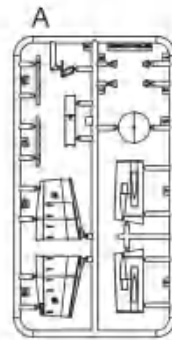
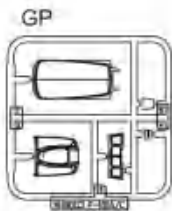


無需膠粘
Do Not Cement

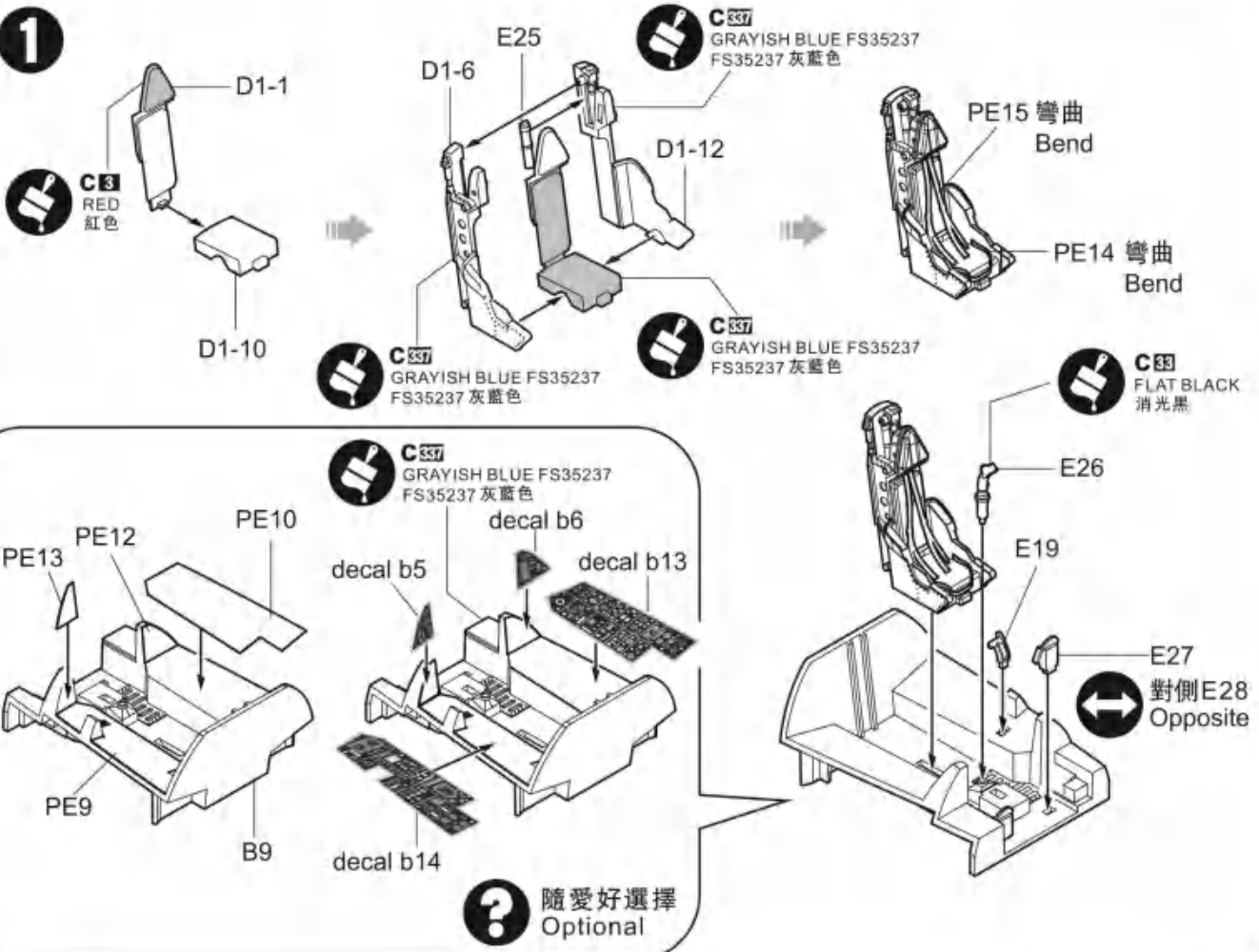


對側
Opposite

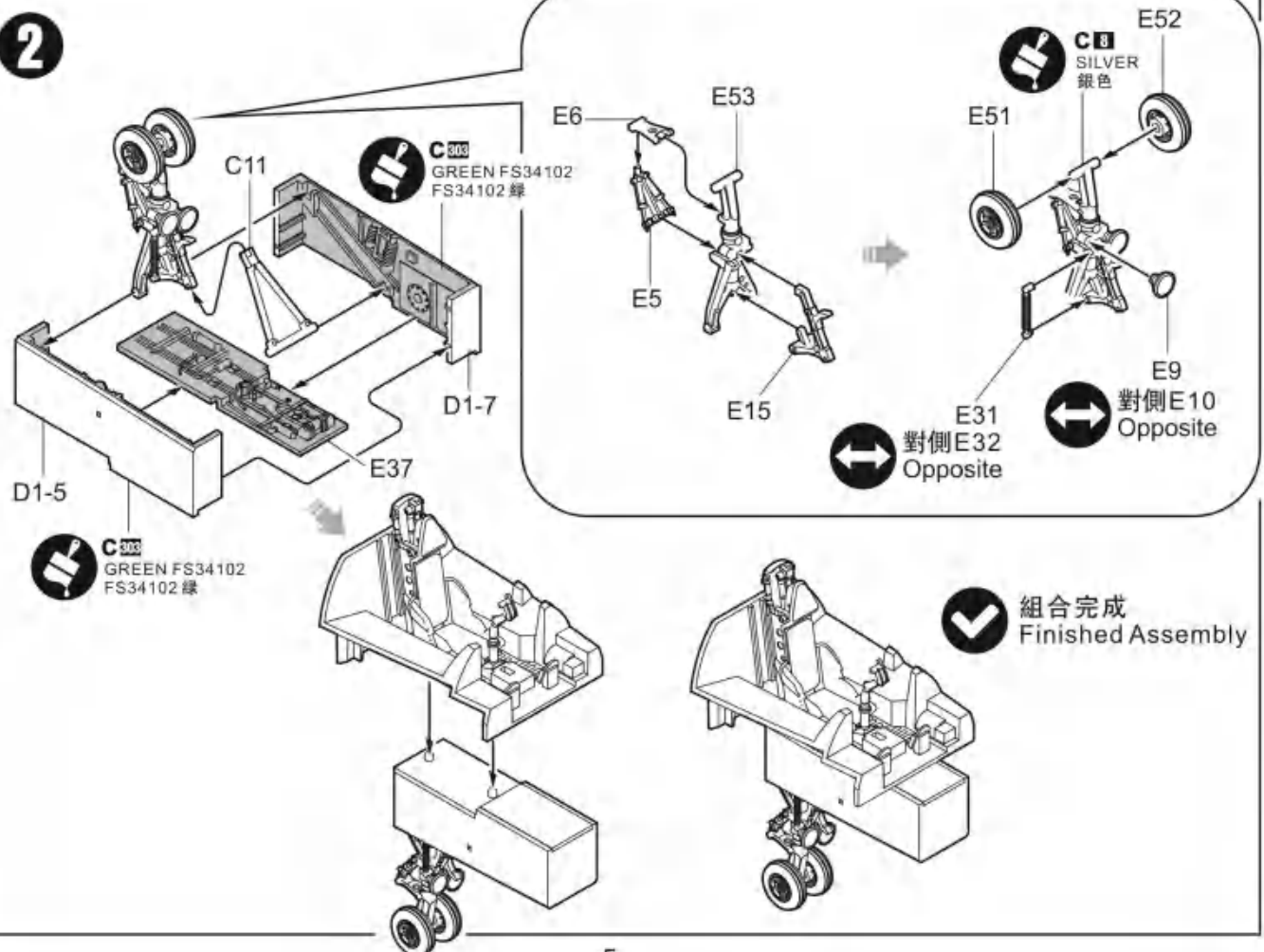
部品圖 PARTS



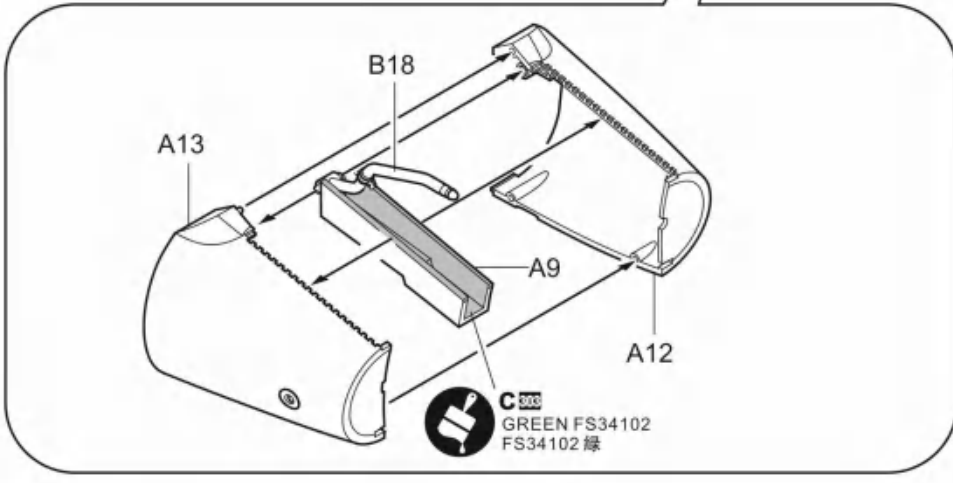
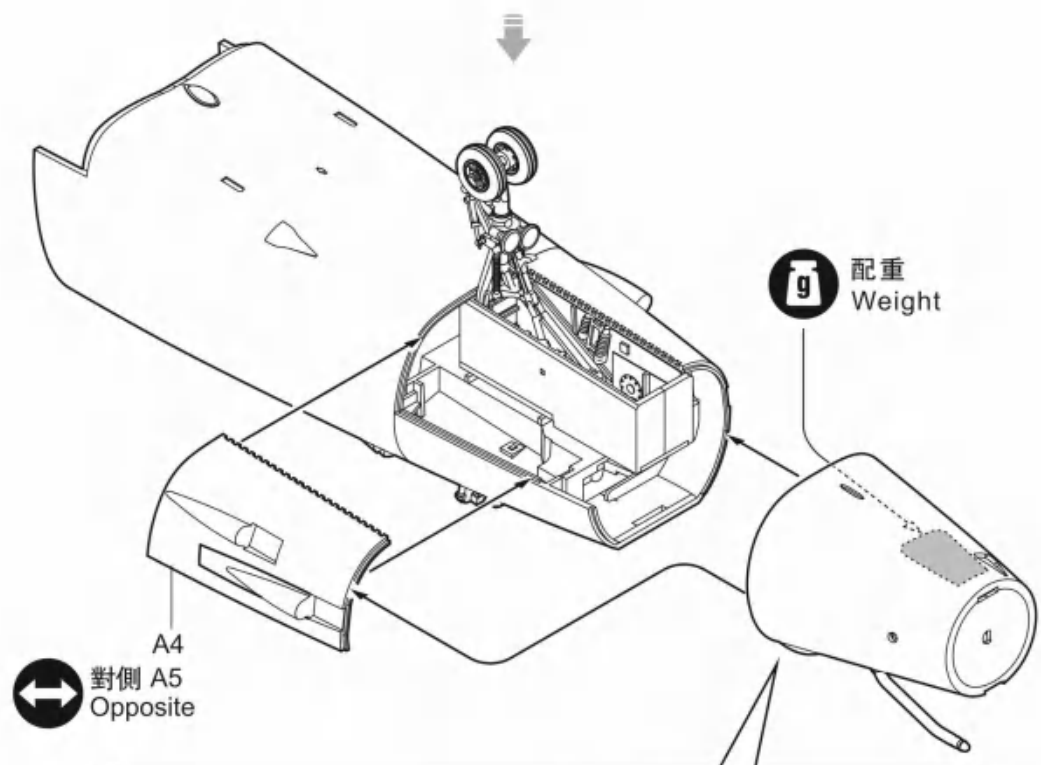
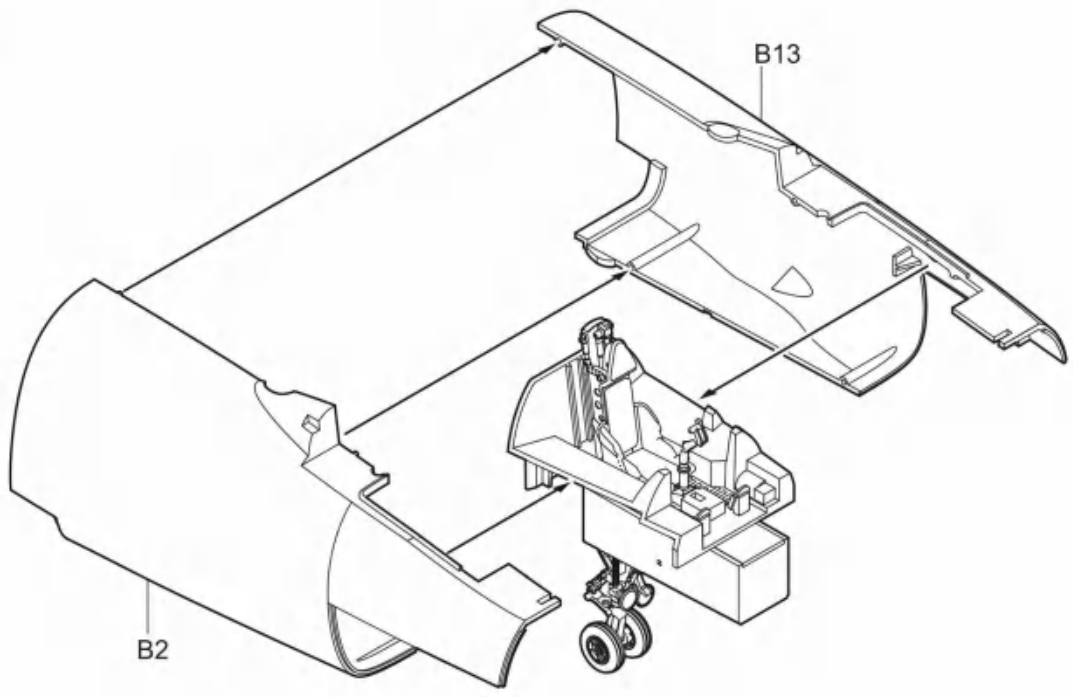
1



2



3



4

E49 對側E50
Opposite

D1-4 對側D1-8
Opposite

A8

C33
FLAT BLACK
消光黑

B23



PE11

C37
GRAYISH BLUE FS35237
FS35237 灰藍色

C33
FLAT BLACK
消光黑

B30



C303
GREEN FS34102
FS34102 綠

B31

B4

B3

C33
FLAT BLACK
消光黑

對側A11
Opposite
A10

E38

E33

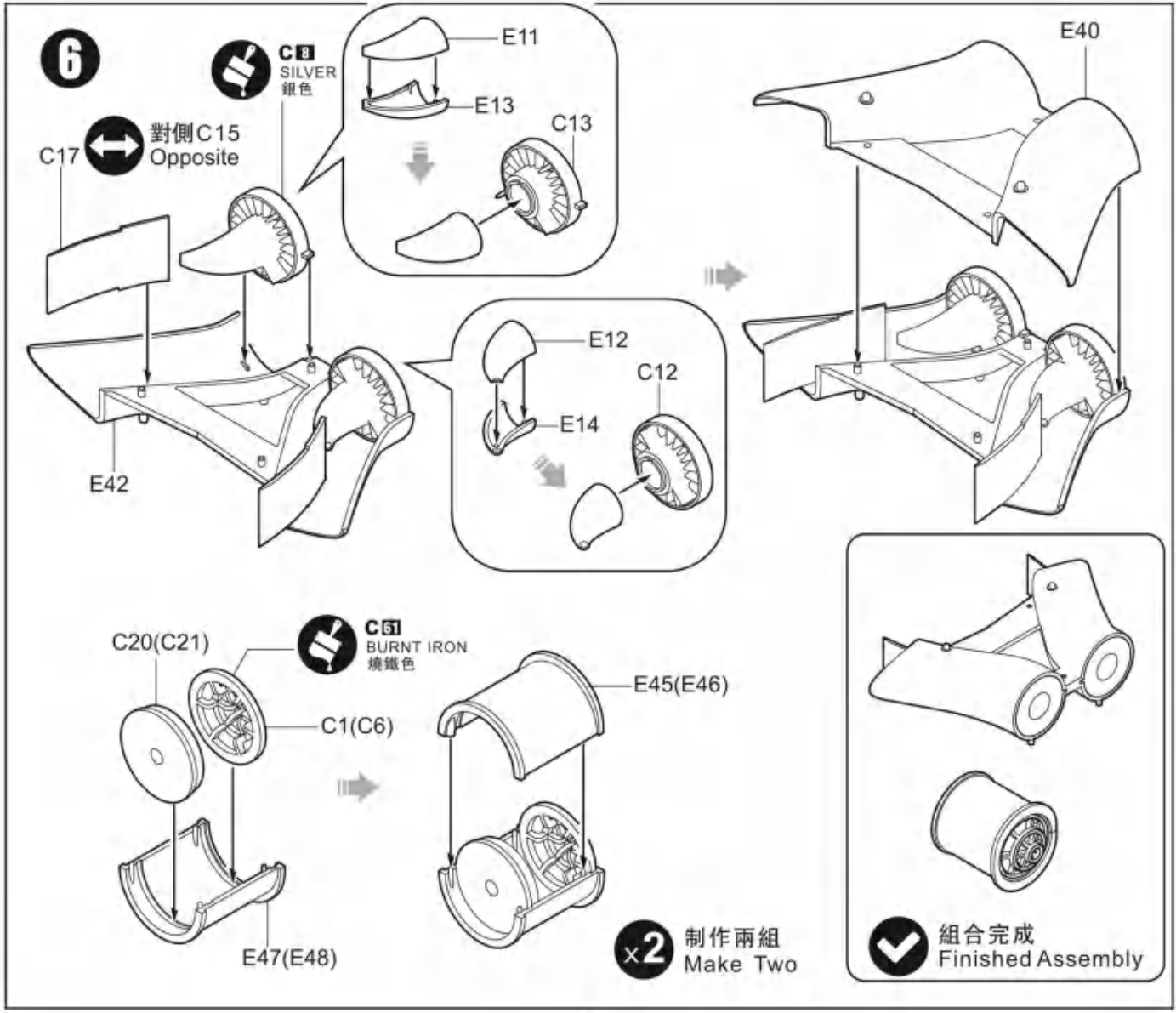
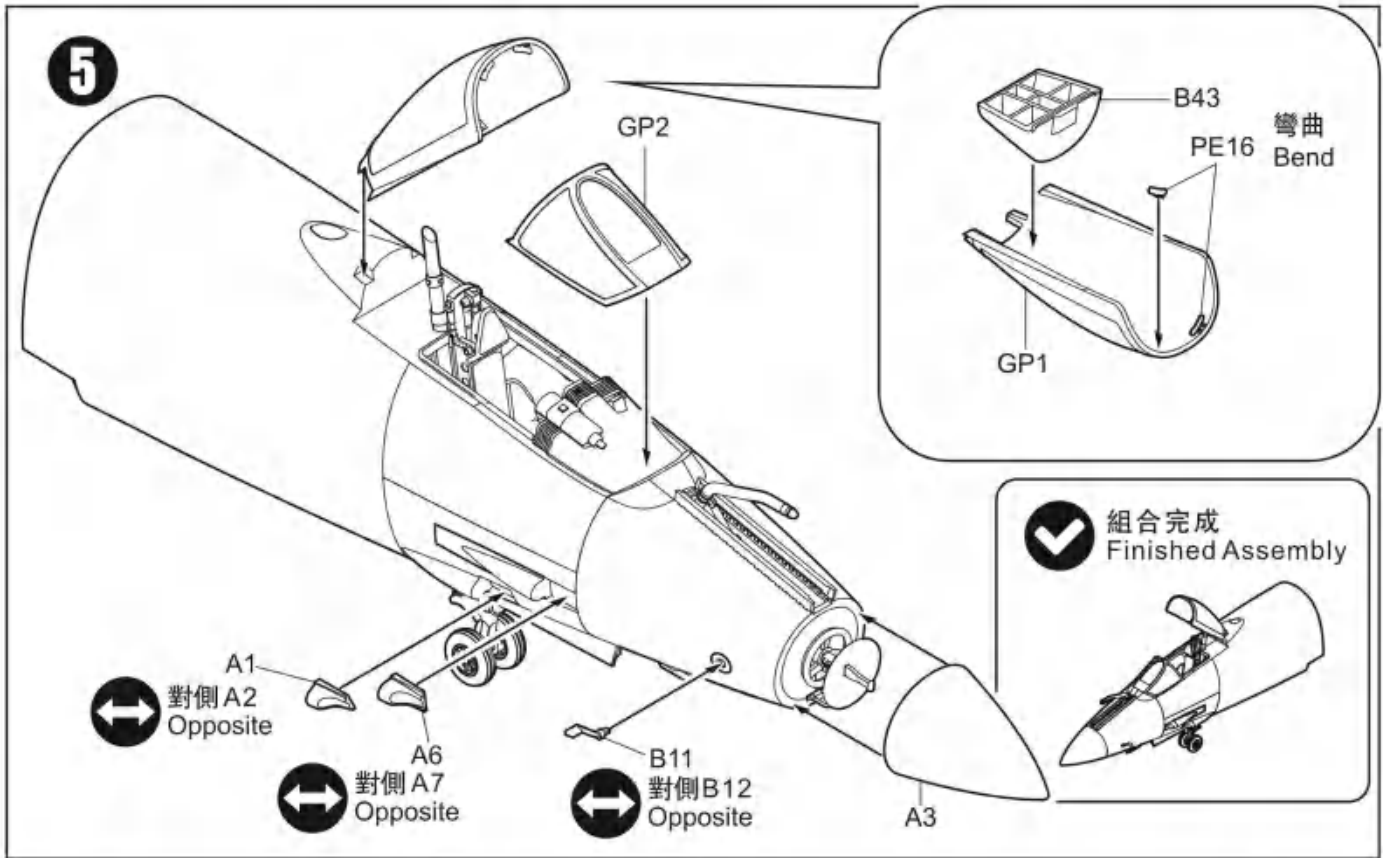
C19

C14

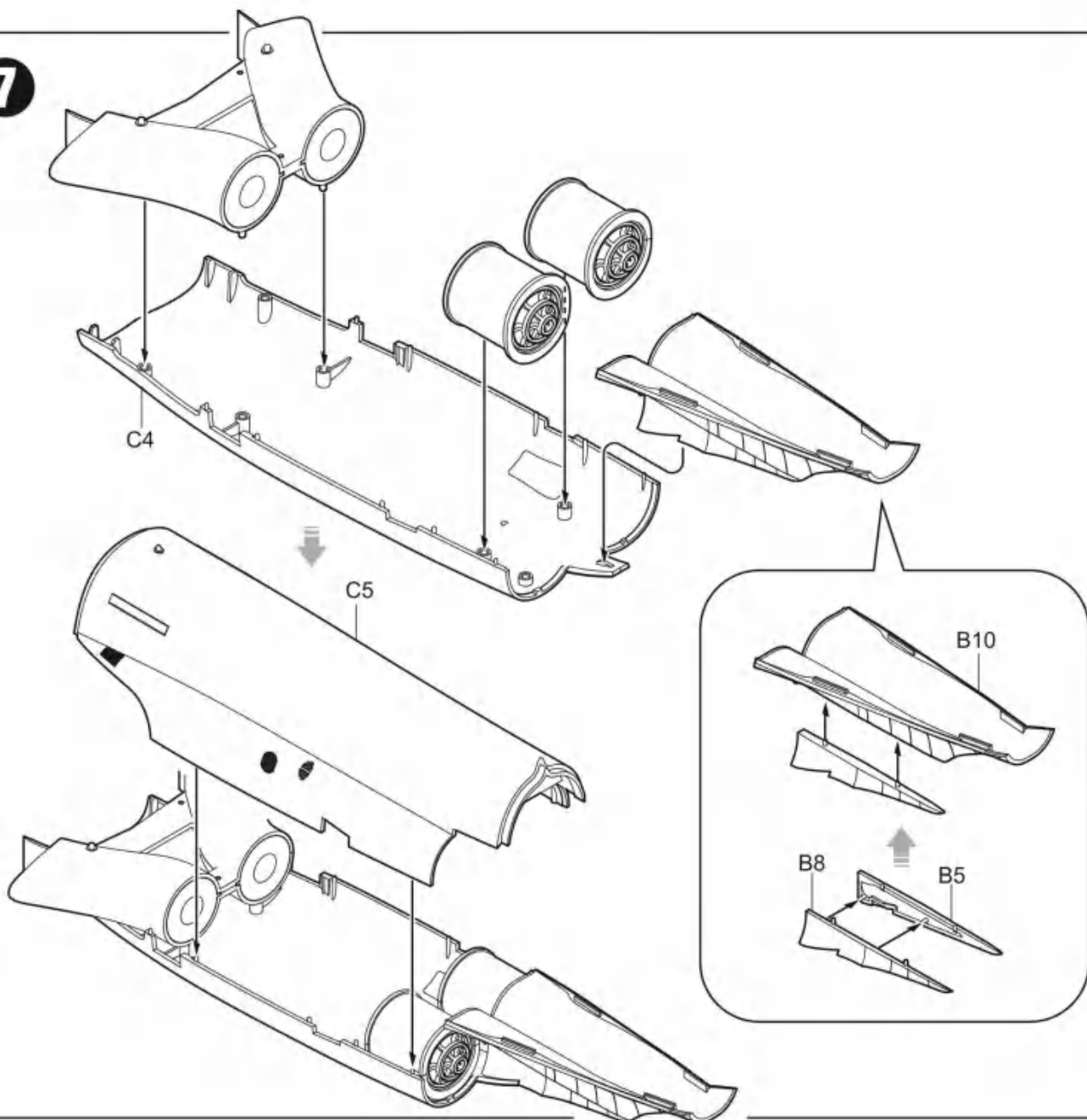
E41

C19
SANDY BROWN
砂褐色

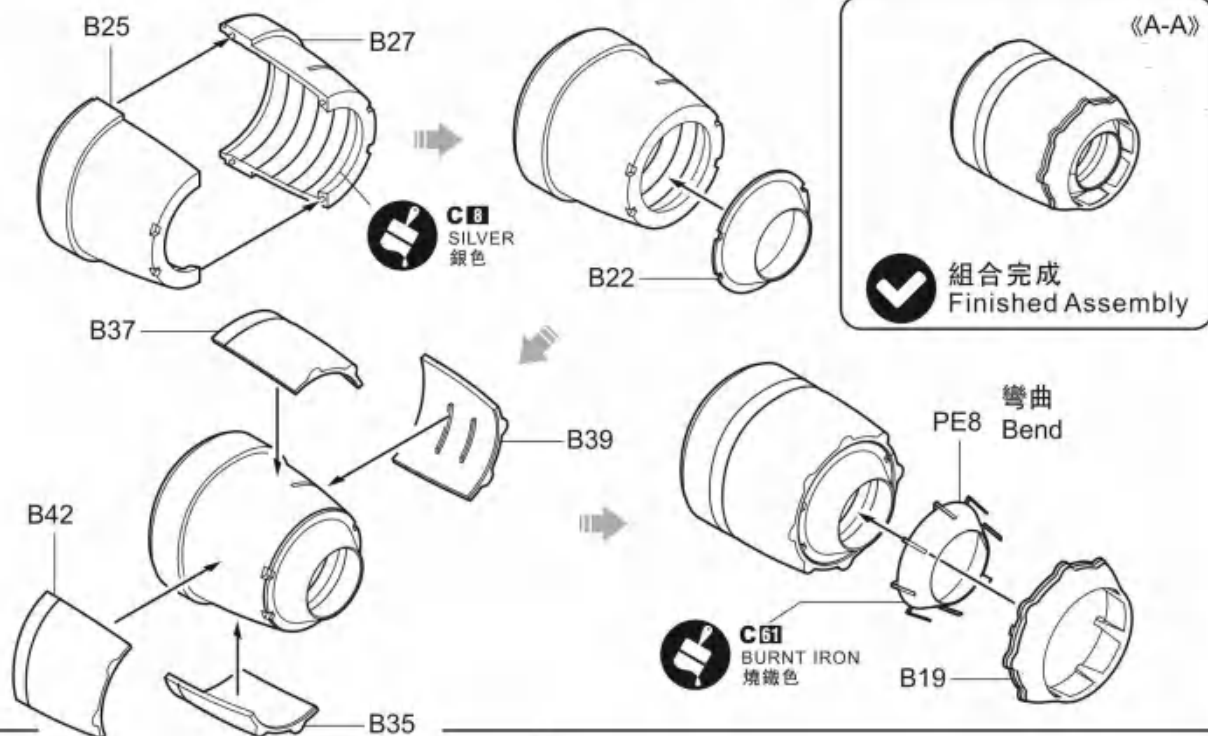
C303
GREEN FS34102
FS34102 綠

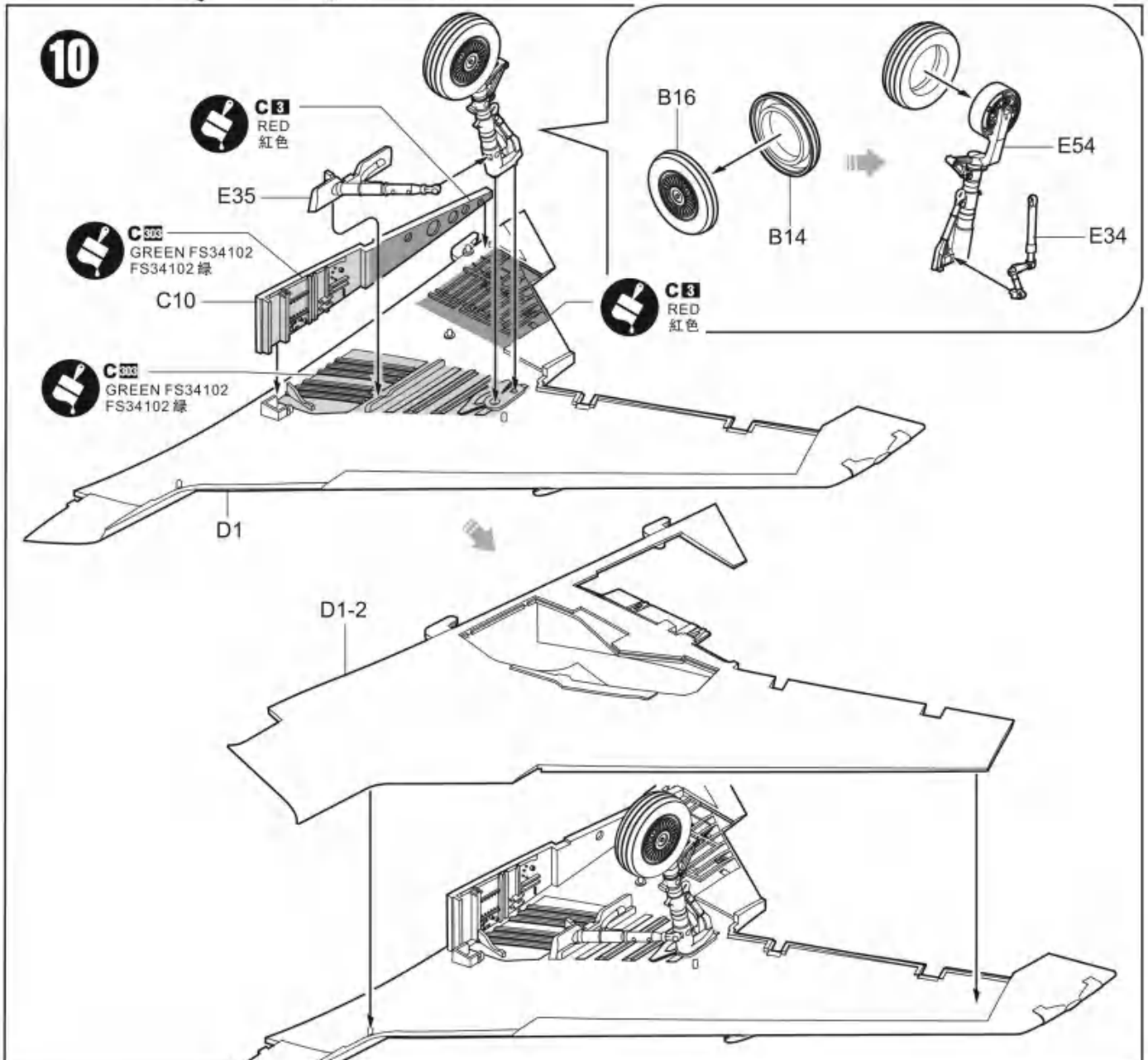
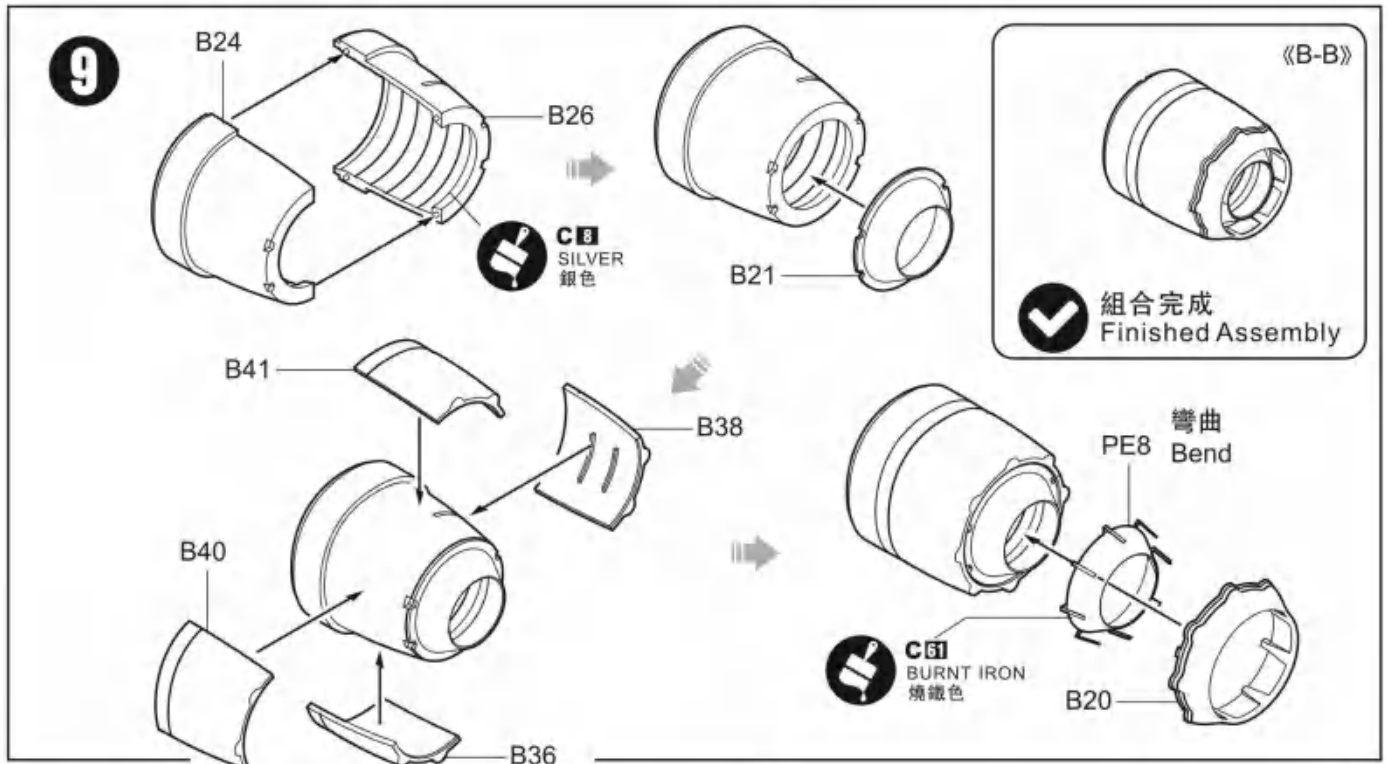


7

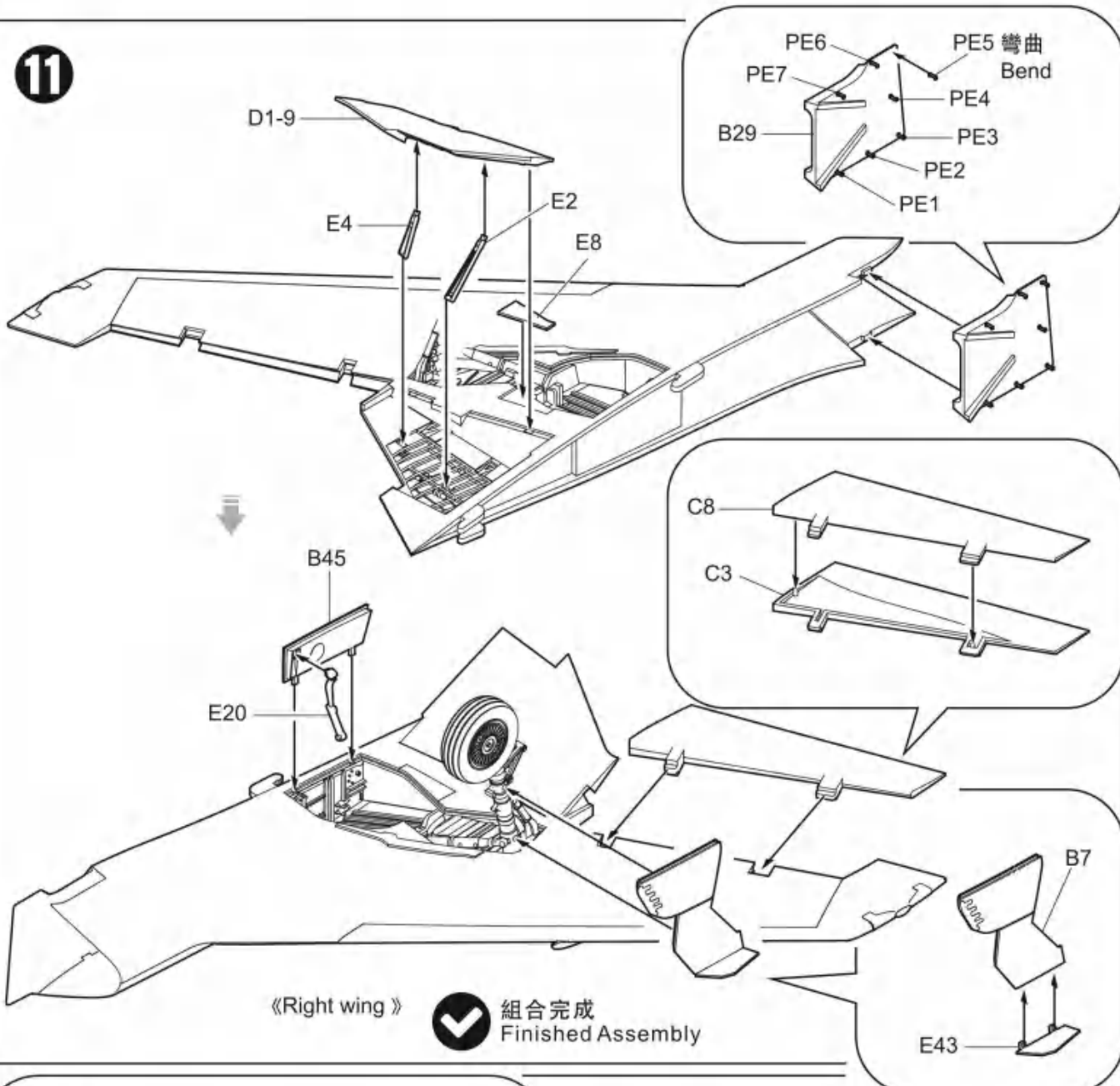


8

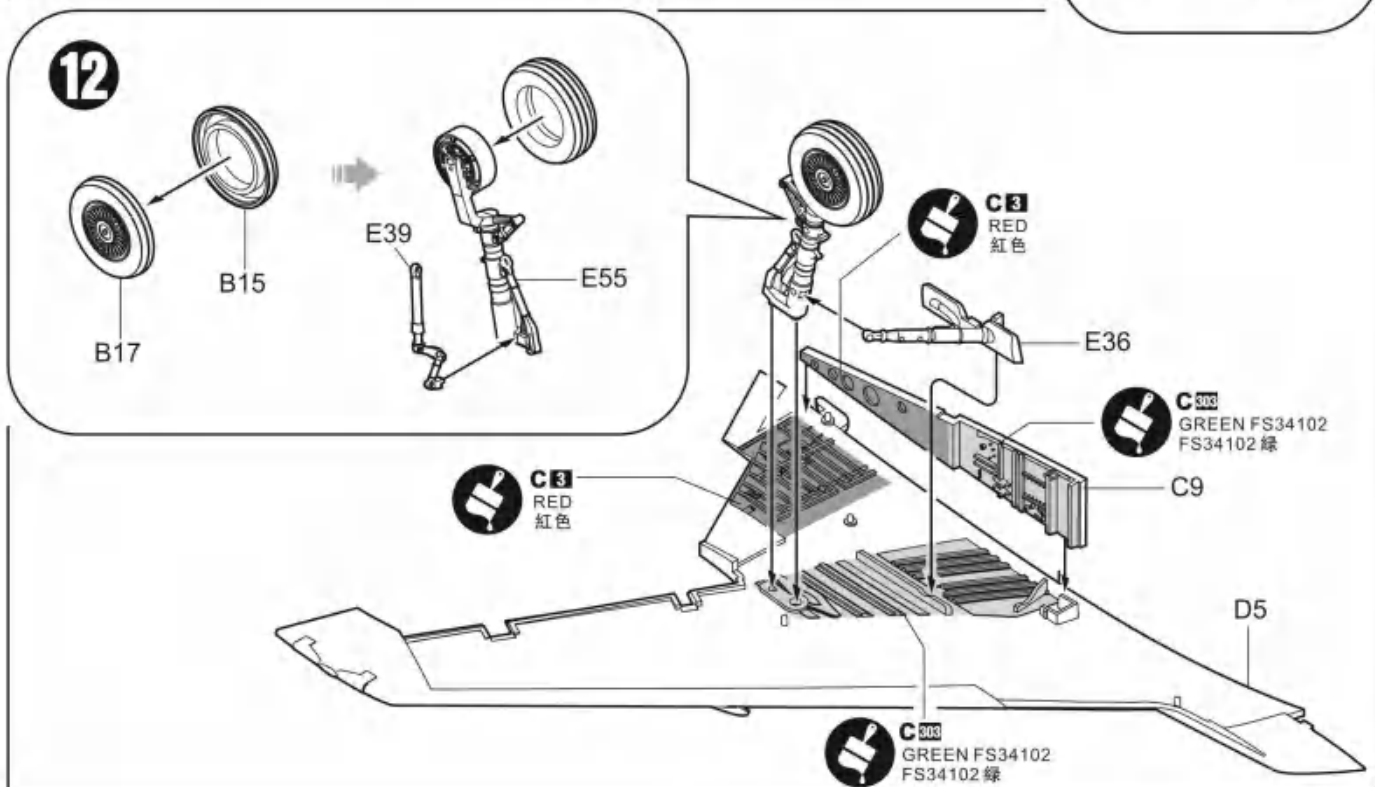




11



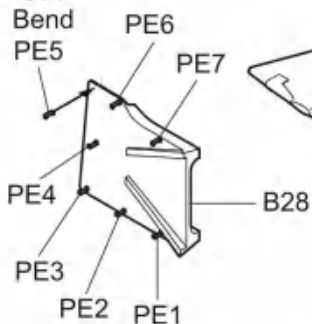
12



13

D1-11

彎曲
Bend



E7 D1-3 E3 E1

C7

C2

B44

E24

B6

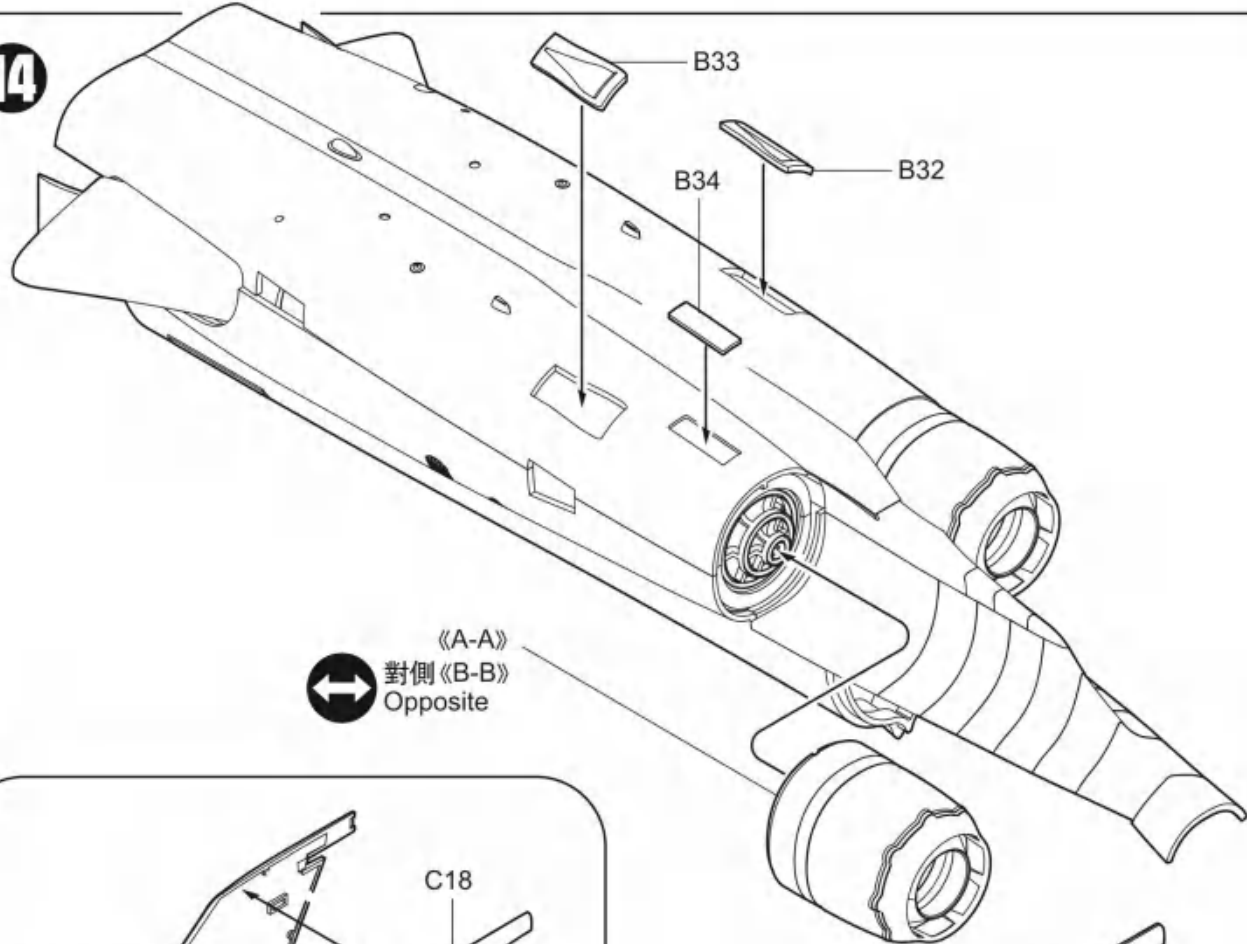
E44

《Left wing》

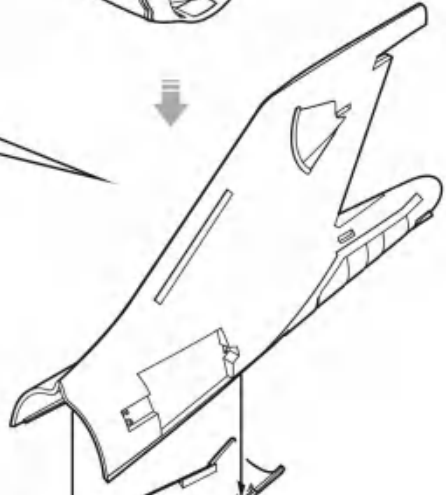
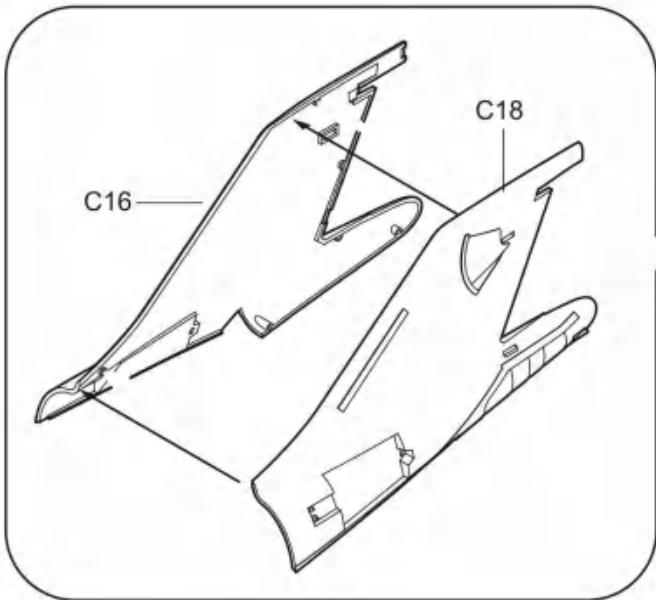


組合完成
Finished Assembly

14

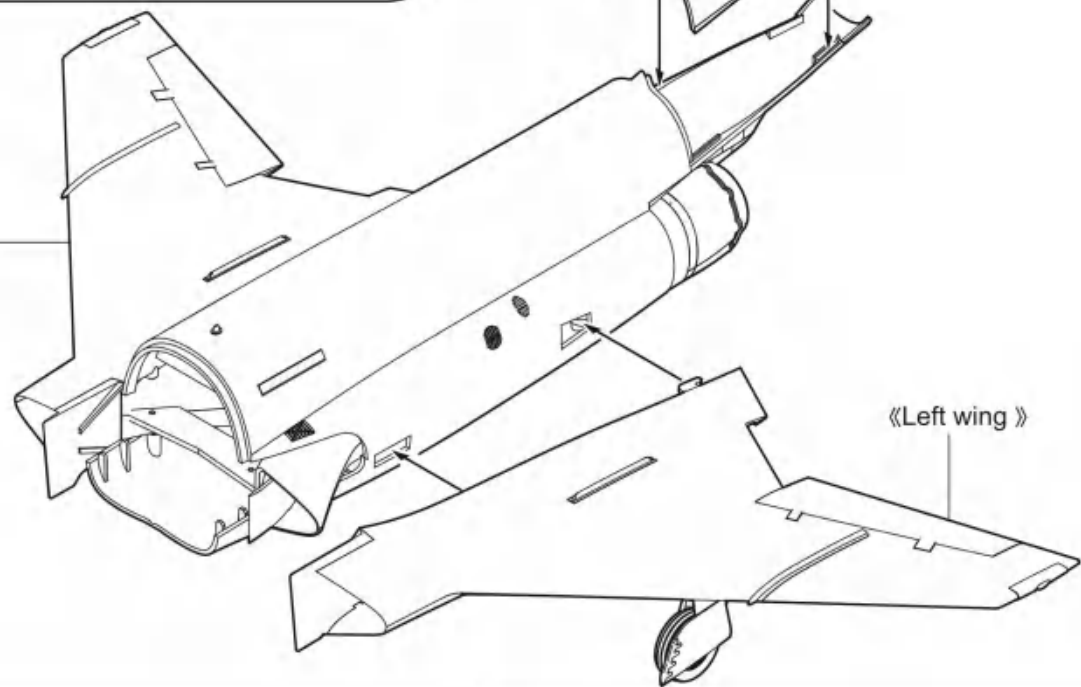


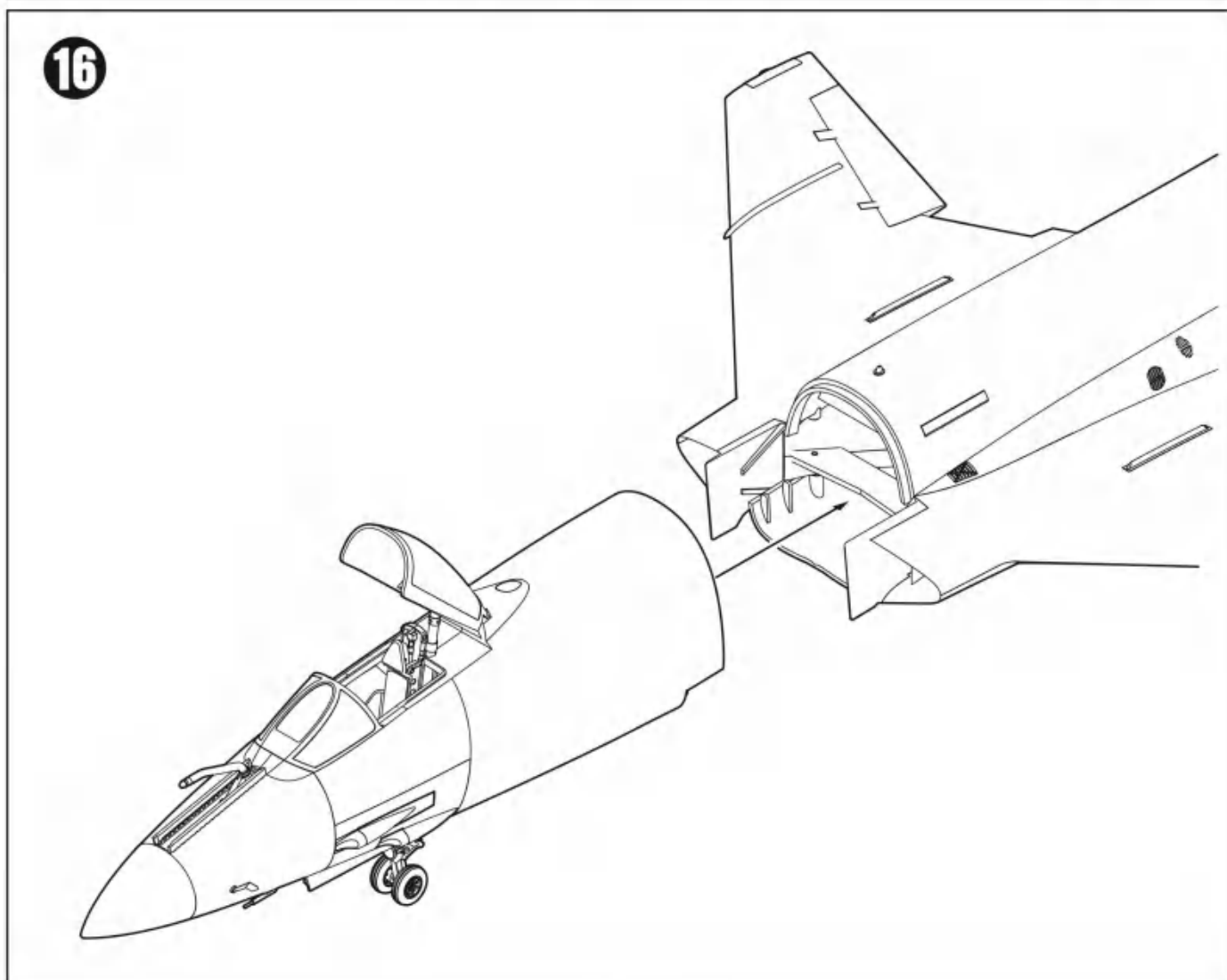
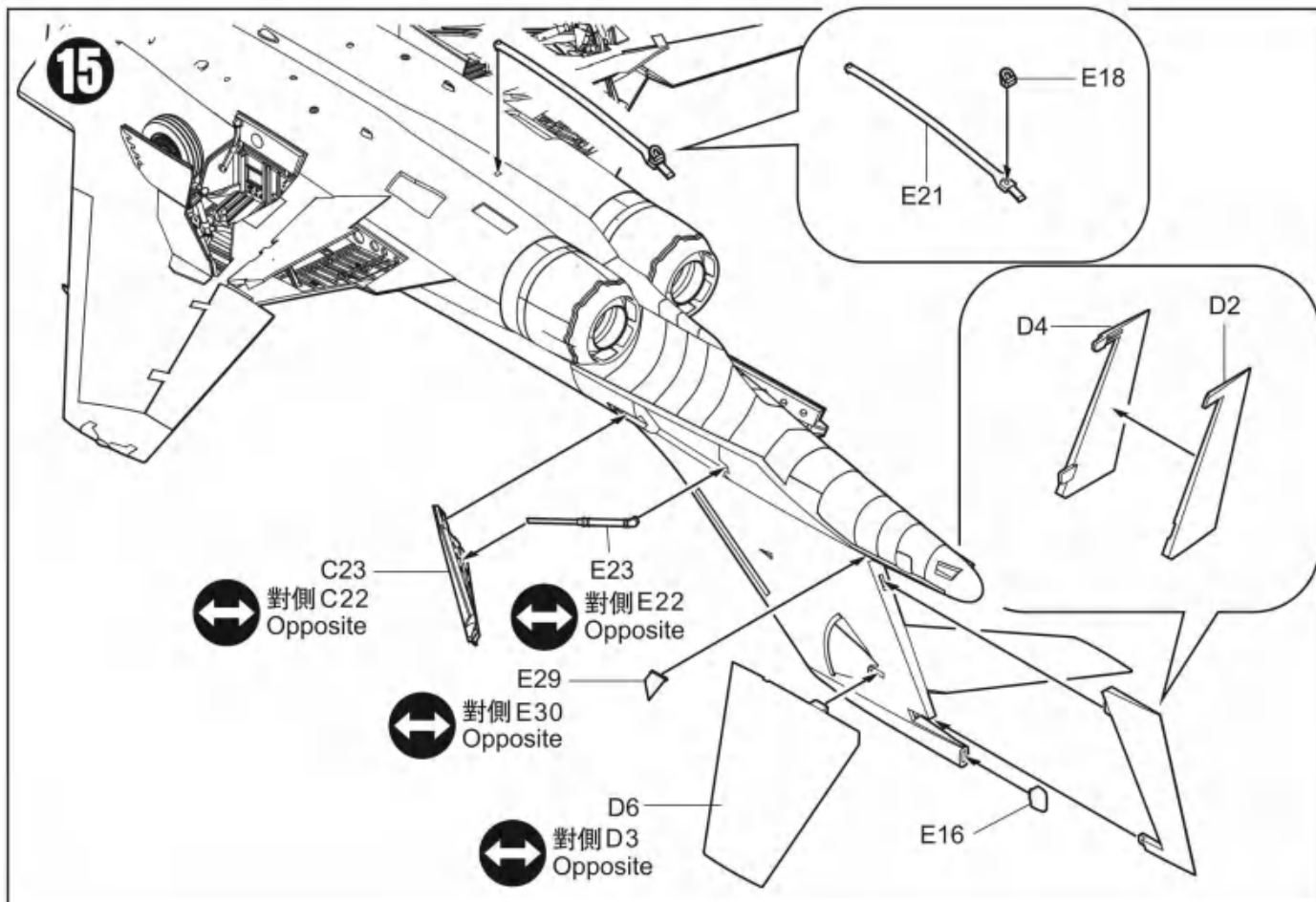
《A-A》
對側《B-B》
Opposite



《Right wing》

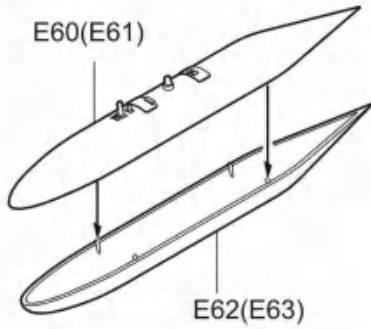
《Left wing》





17

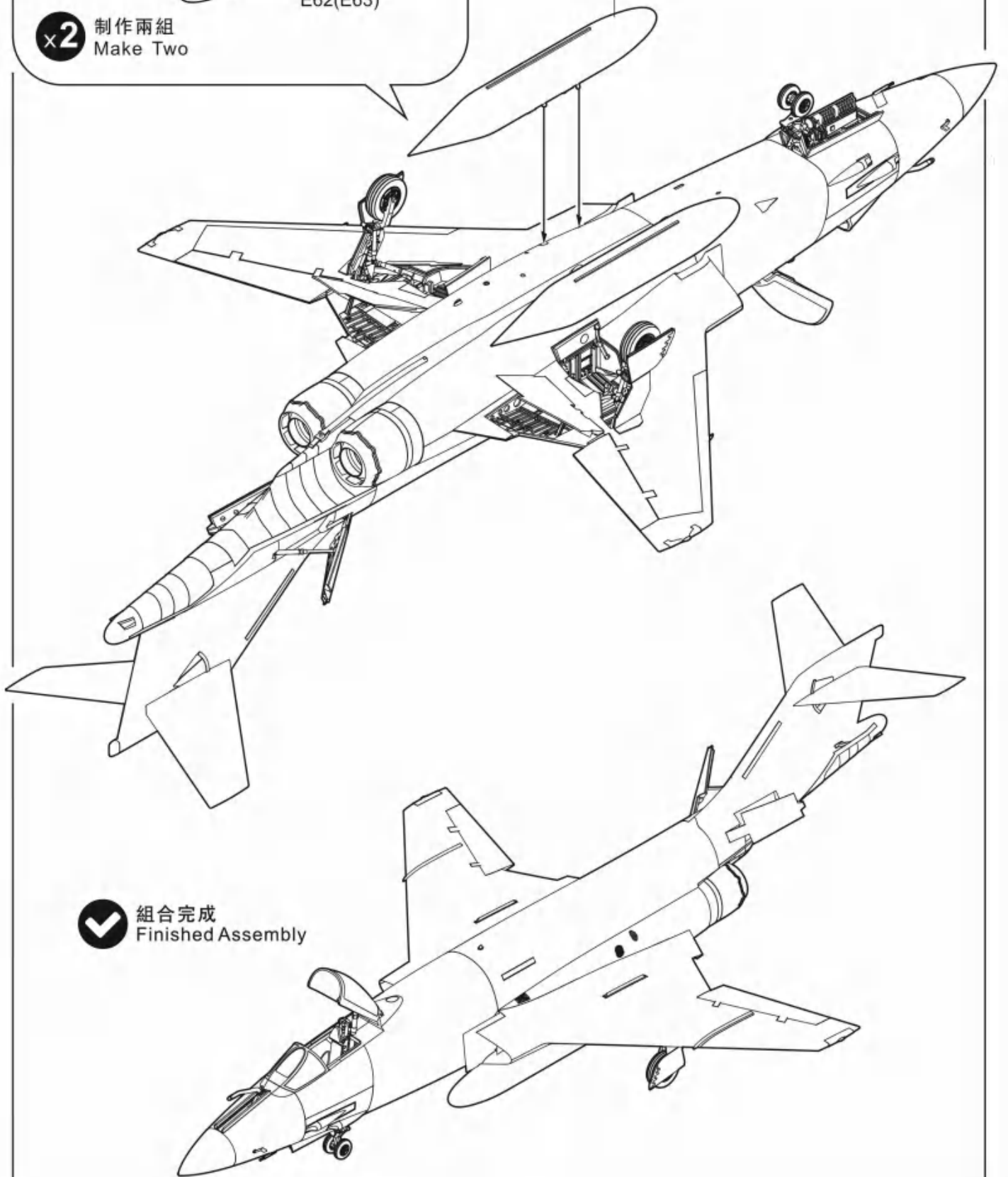
E60(E61)



E62(E63)

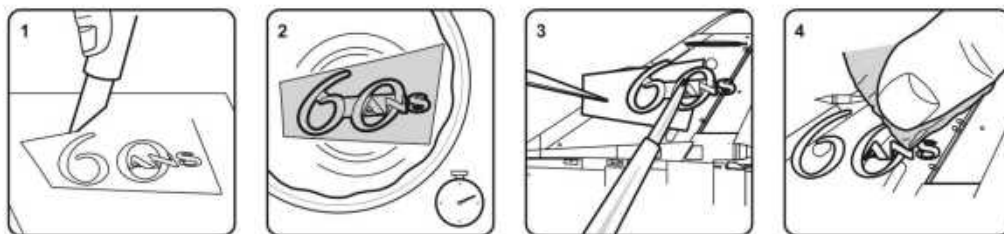
對側相同
Both sides

×2 制作兩組
Make Two



✓ 組合完成
Finished Assembly

DECAL APPLICATION



1. Cut off decal from transfer sheet.
2. Dip the decal in water for about 10 seconds (may take more seconds if in low temperature), and place on a clean cloth.
3. Hold the backing paper edge and slide decal onto the model. Then move decal into position by wetting decal with brush or finger.
4. Press decal gently down with a soft cloth until excess water and air bubbles are gone.



1:48 F-101 A/C "Voodoo" Painting & marking Guide

A. F-101C, 81st TFW,
Bentwater, May 1960.

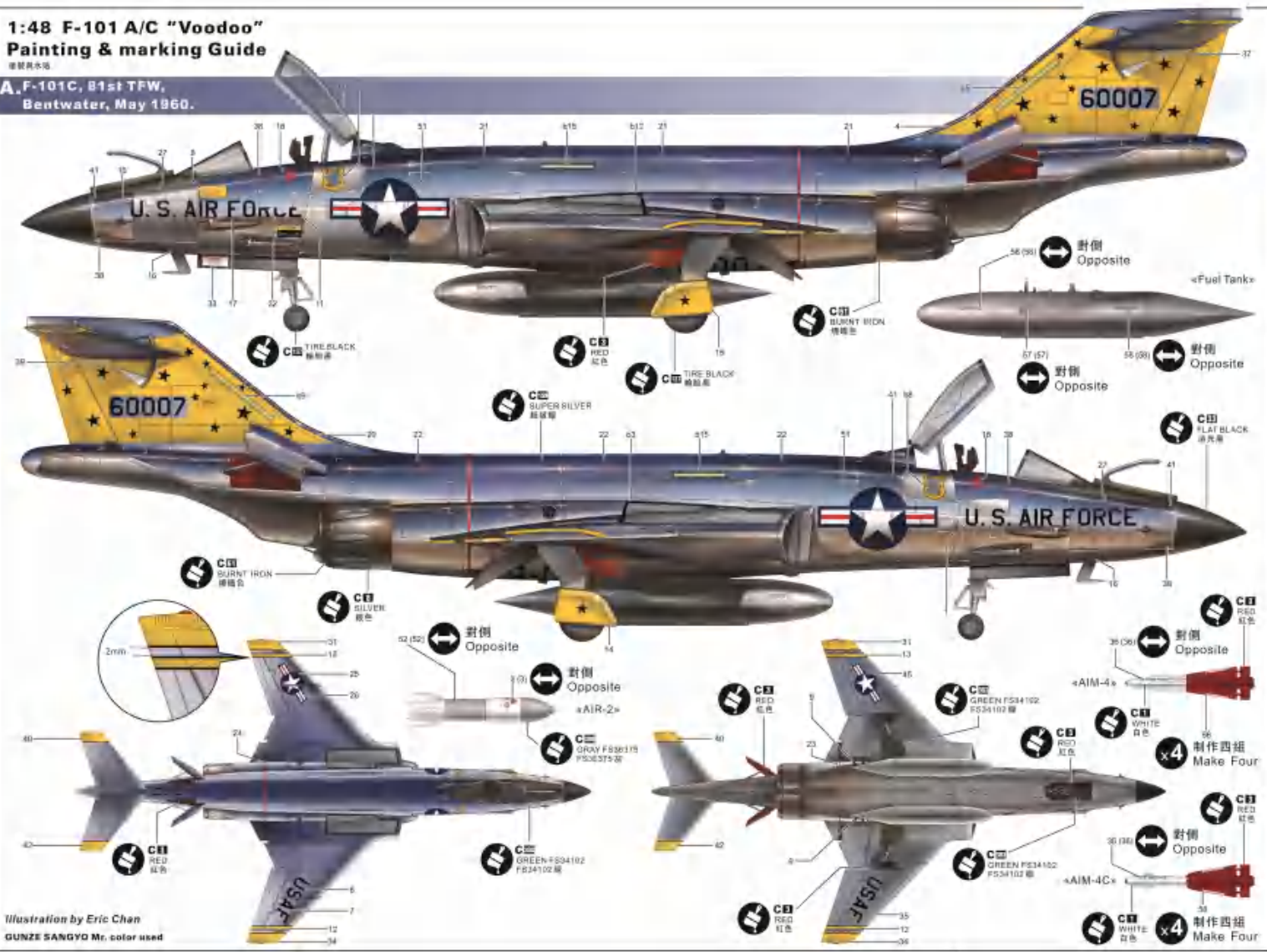
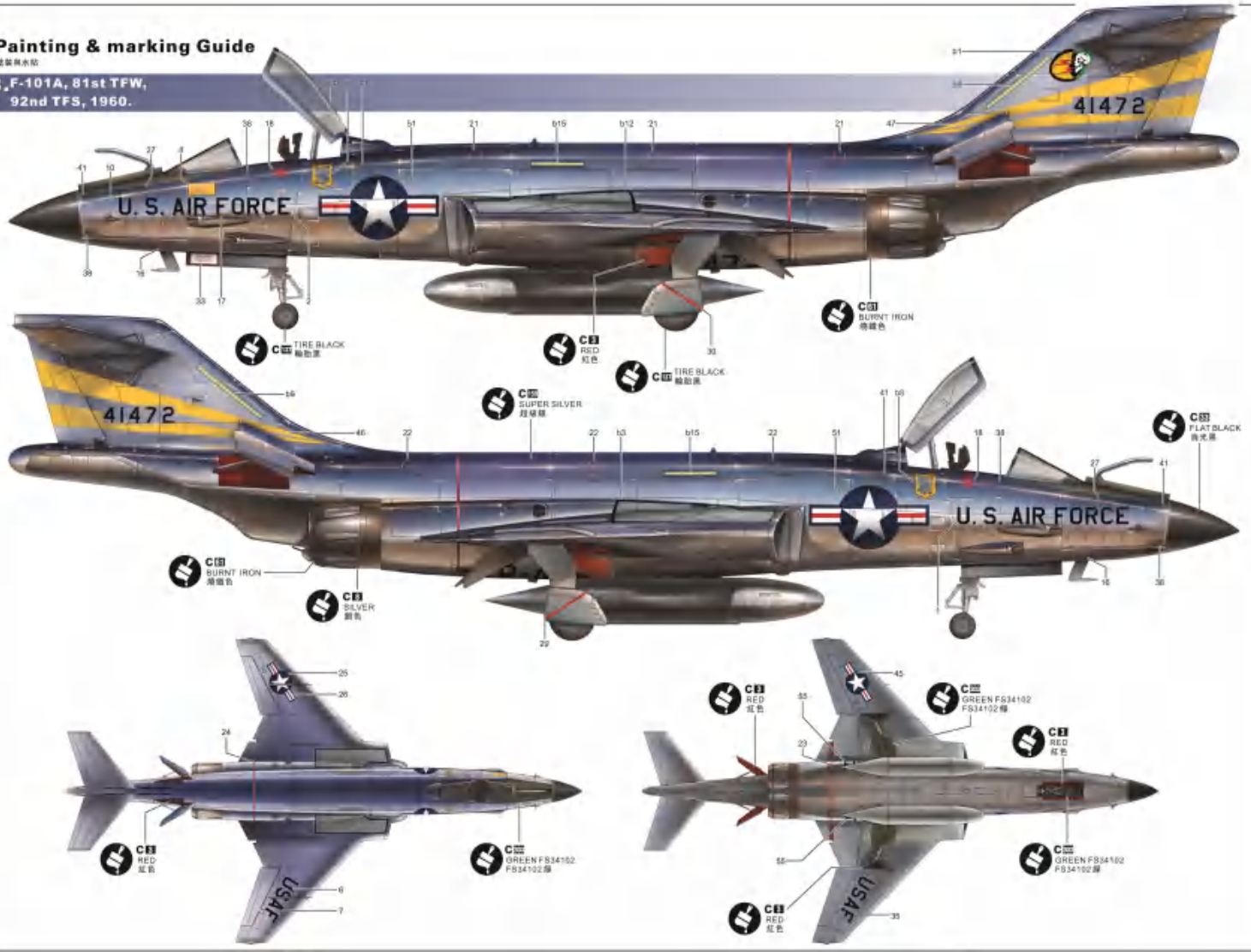


Illustration by Eric Chen
GUNZE SANGYO Mr. color used

Painting & marking Guide

B-1F-101A, 81st TFW,
92nd TFS, 1960.



17

18