

Instruction

模型拼裝說明書

1:48 Scale



“VooDoo” RF-101C & G/H



F-101C & G/H “巫毒” 双发战斗机

ZM80116

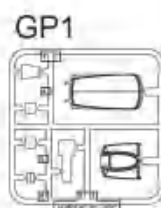
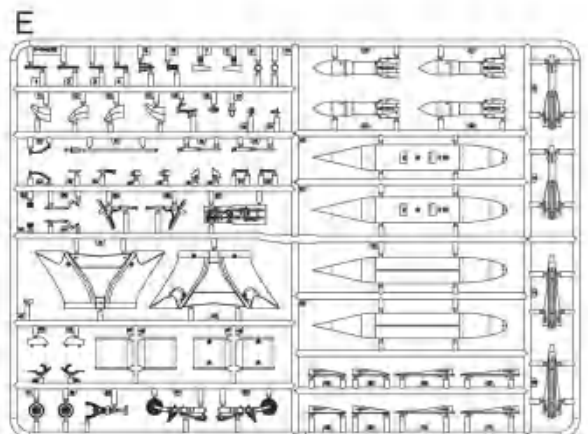
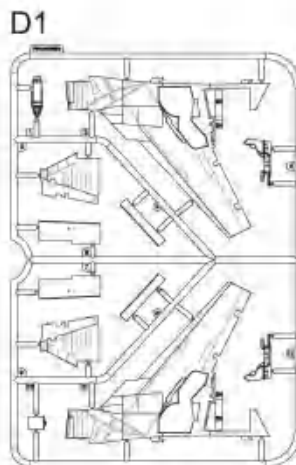
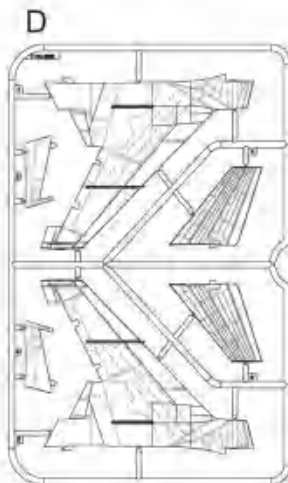
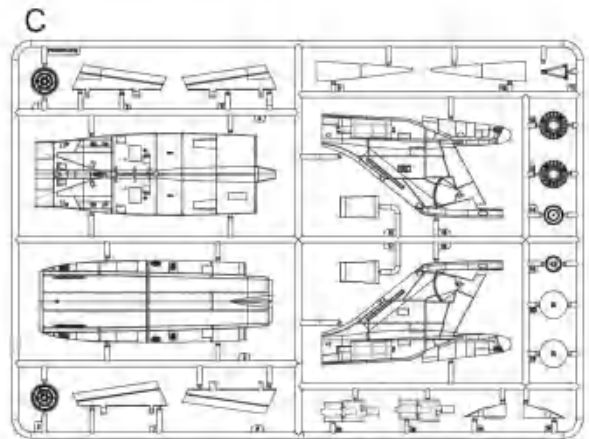
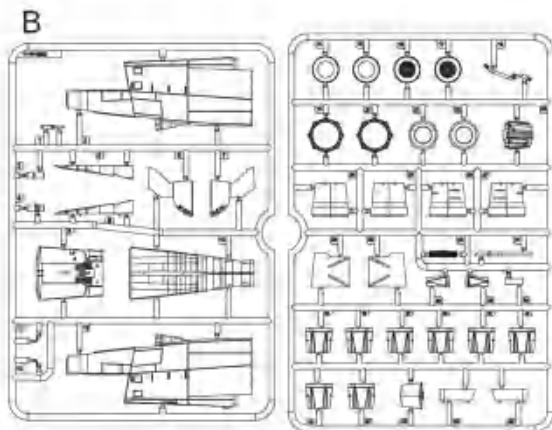
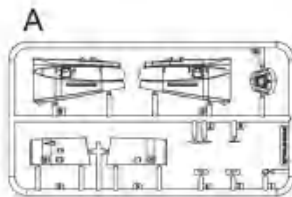
READ BEFORE ASSEMBLY

在組合您的模型之前，請充分閱讀本冊說明書。組合模型您需要如下物品（需另購）：模型膠水；一把模型鉗或一把用于將零件從框架上切下的模型筆刀。筆刀同樣可以用來修整零件的合模綫。祝您制作愉快！

Before assembling your model kit, read through these instructions carefully. To assemble this kit, you will need Plastic glue (not include). A pair of side cutter or a sharp modelling knife is required for removing parts from the frame. Plastic mould lines can be removed with the modelling knife.

-  **請注意**
Special instructions
-  **隨愛好選擇**
Optional
-  **組合完成**
Finished Assembly
-  **彎曲**
Bend
-  **制作兩組**
Make Two
-  **鉗孔**
Make Hole
-  **塗色**
Painting
-  **無需膠粘**
Do Not Cement
-  **切除**
Cut
-  **對側**
Opposite

部品圖 Part



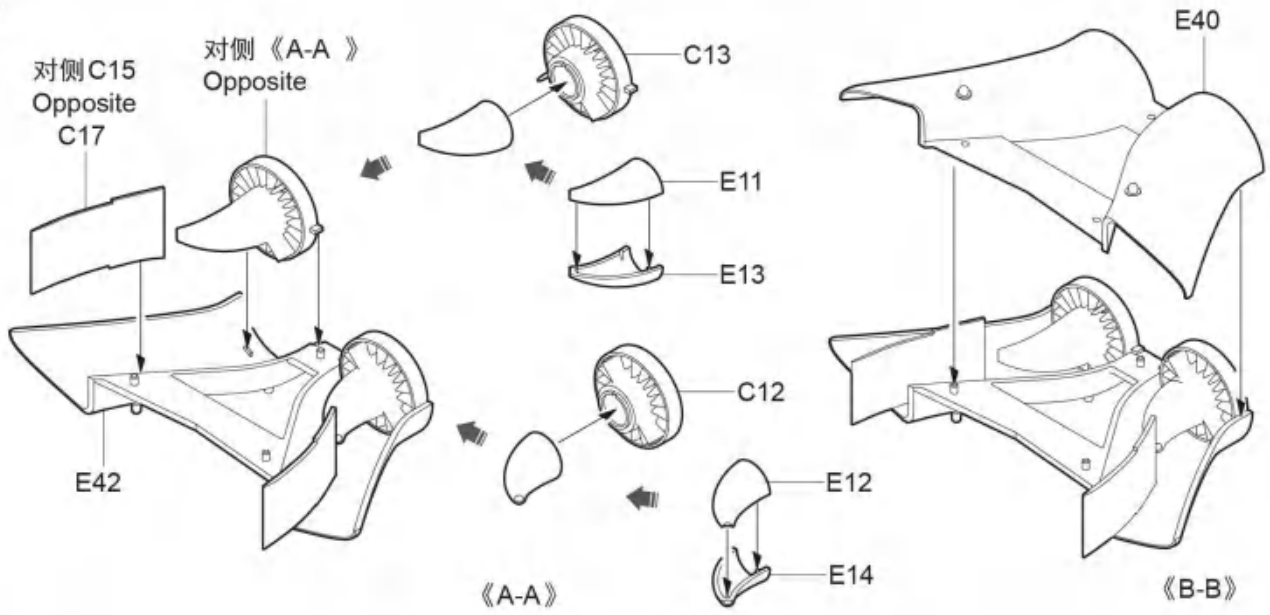
《水贴纸A》
Decal A



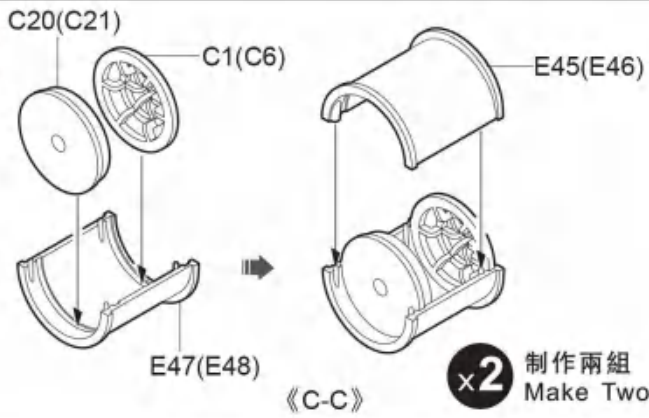
《水贴纸B》
Decal B



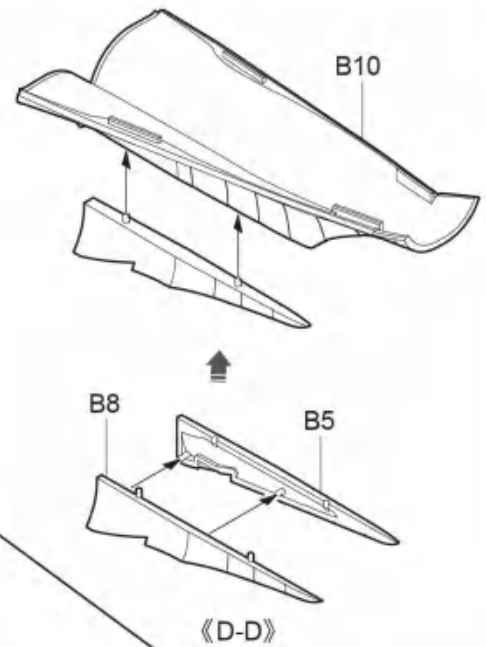
1



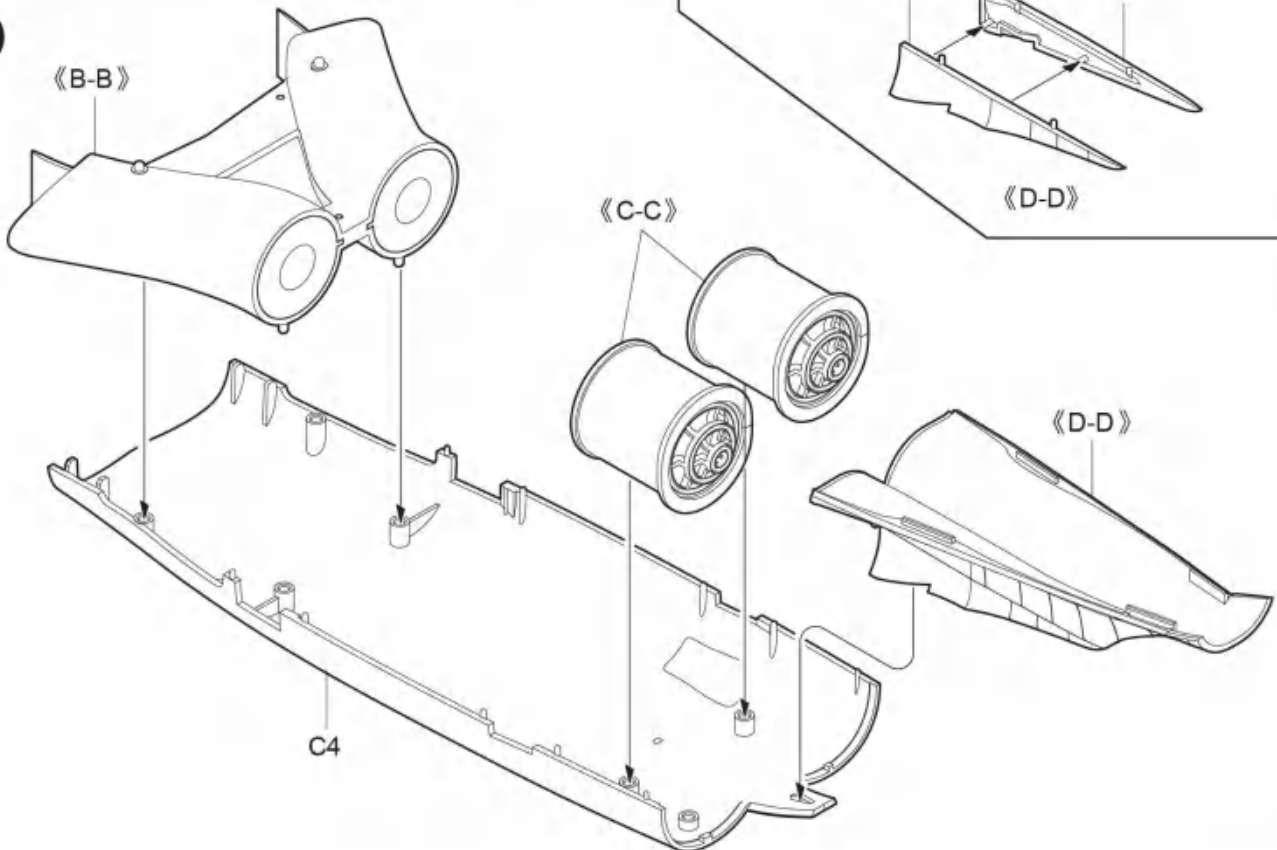
2



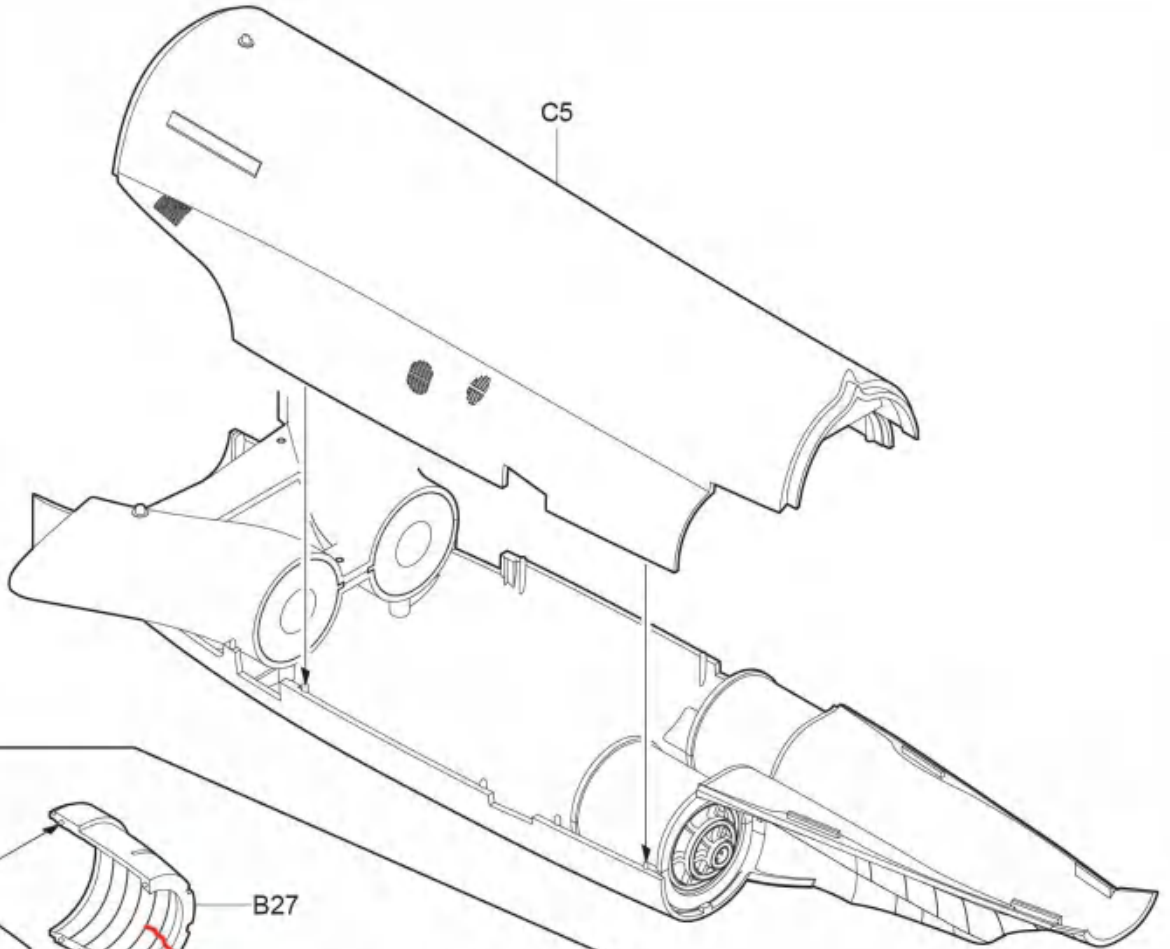
3



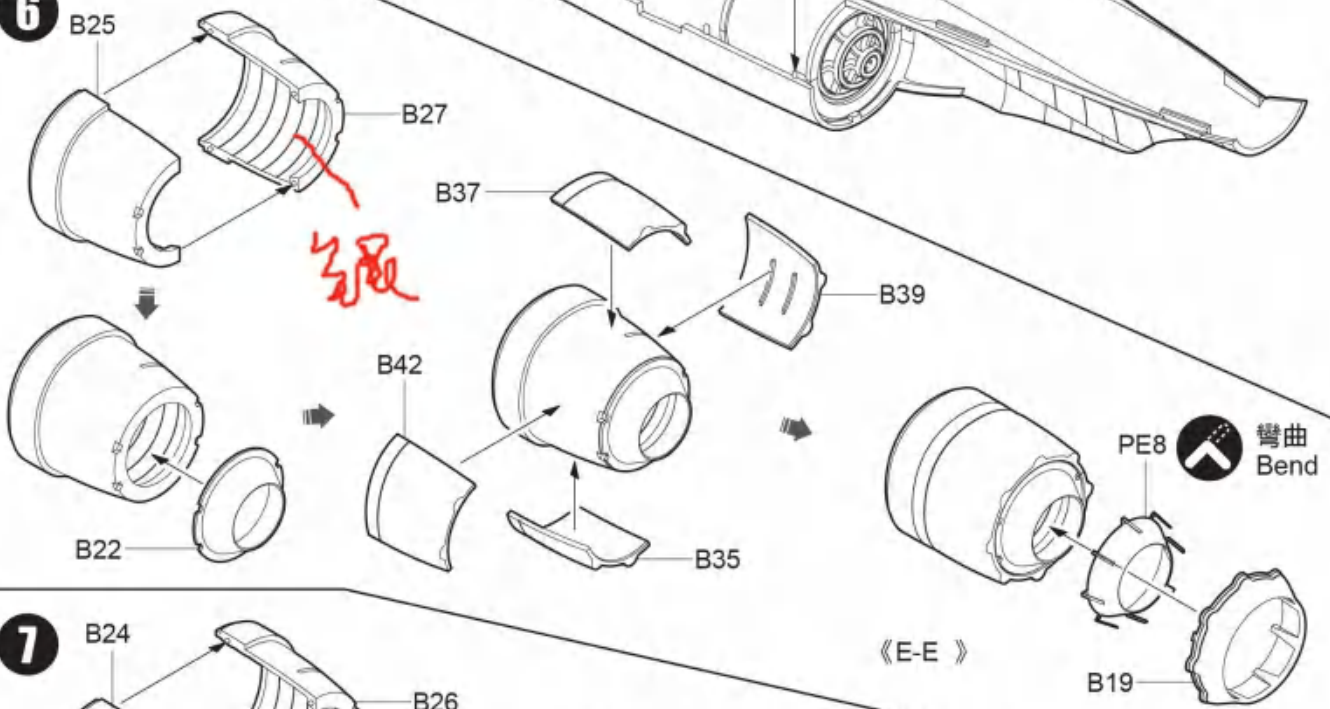
4



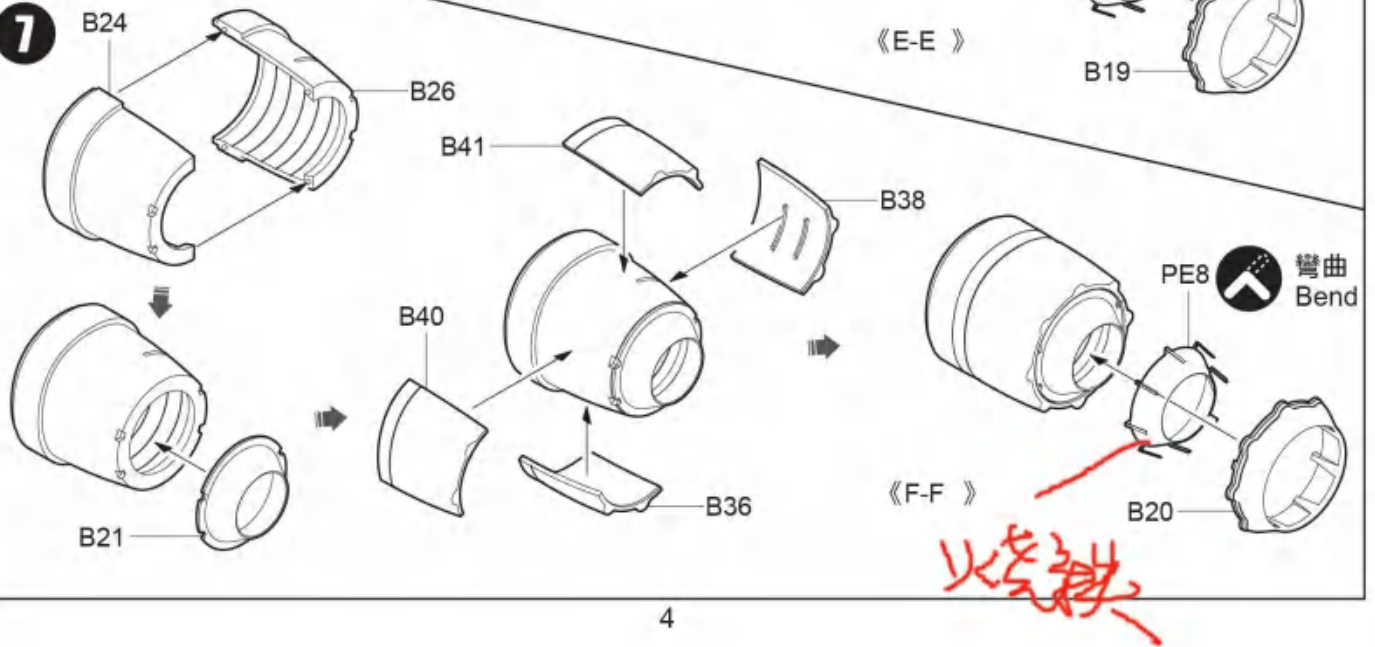
5



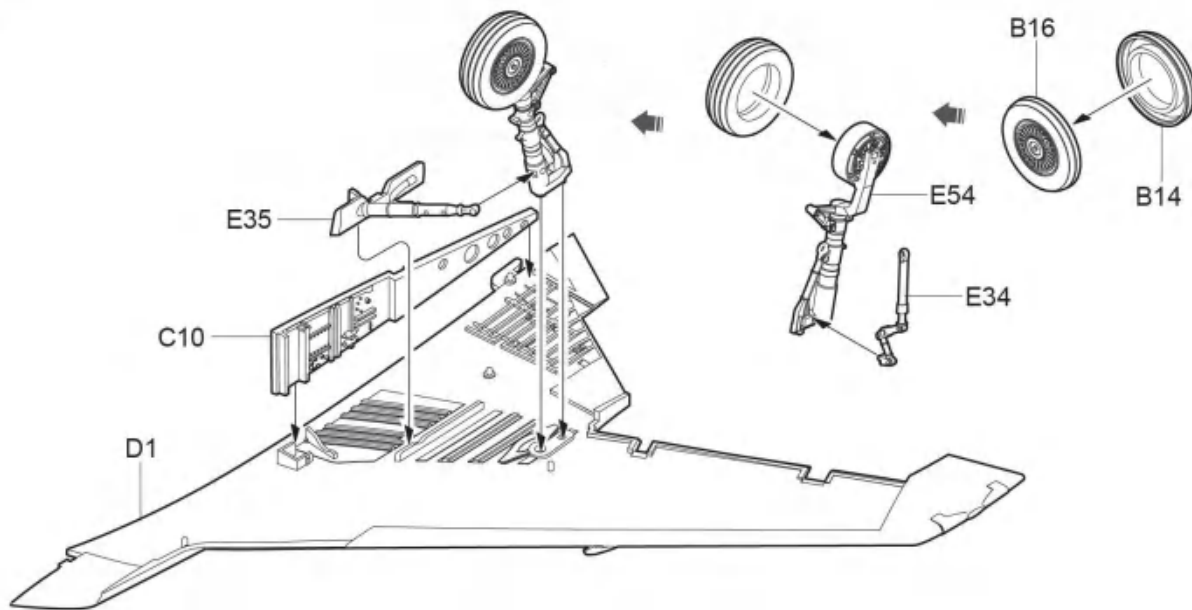
6



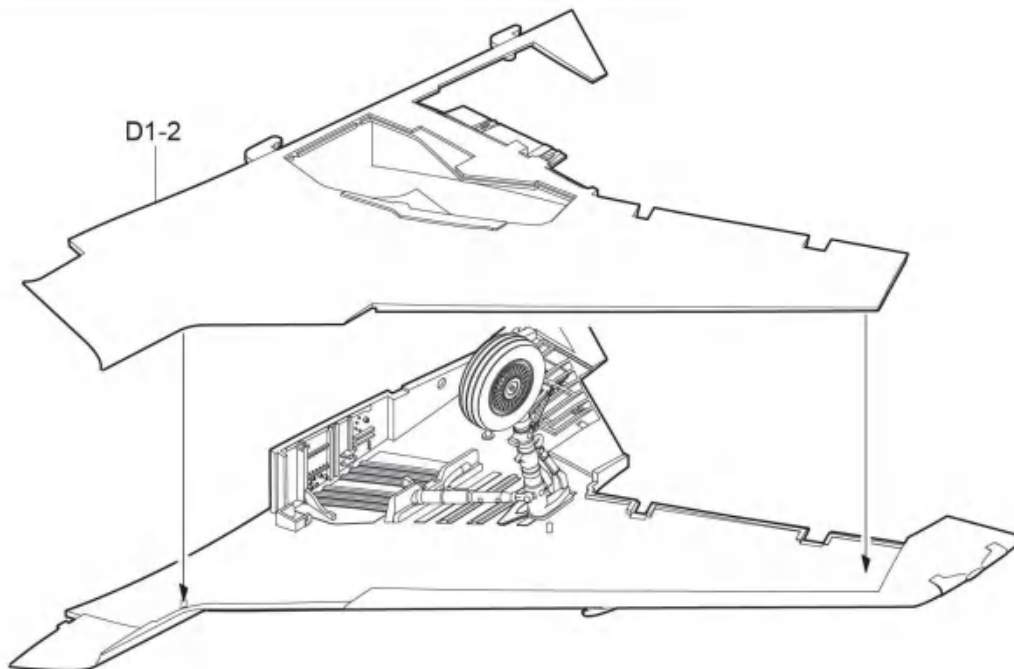
7



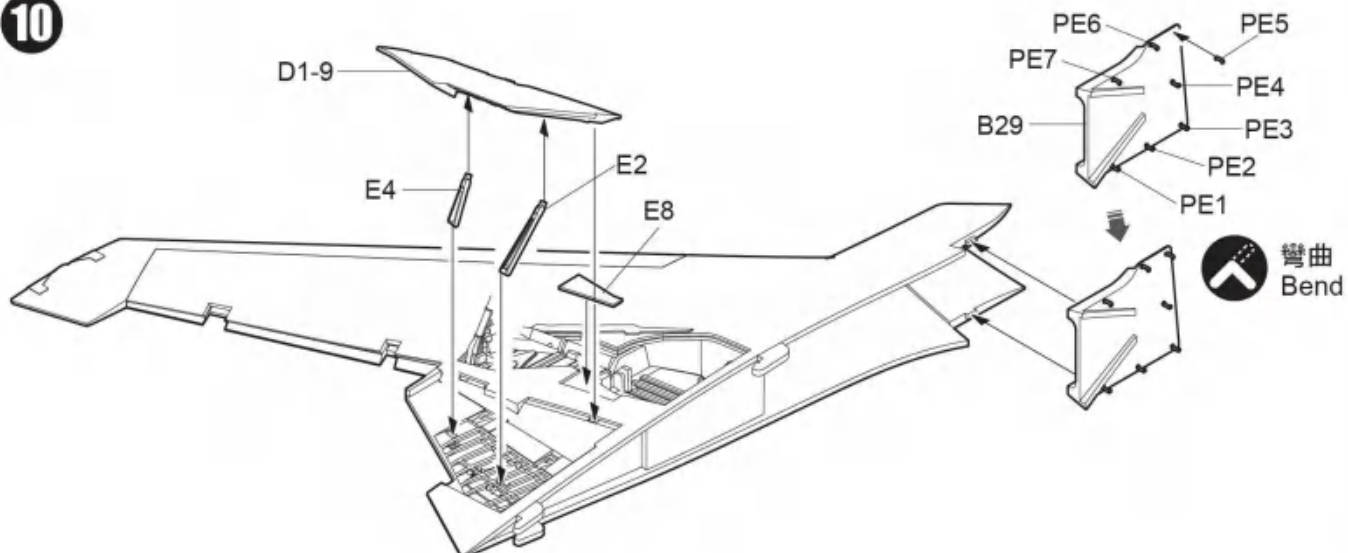
8



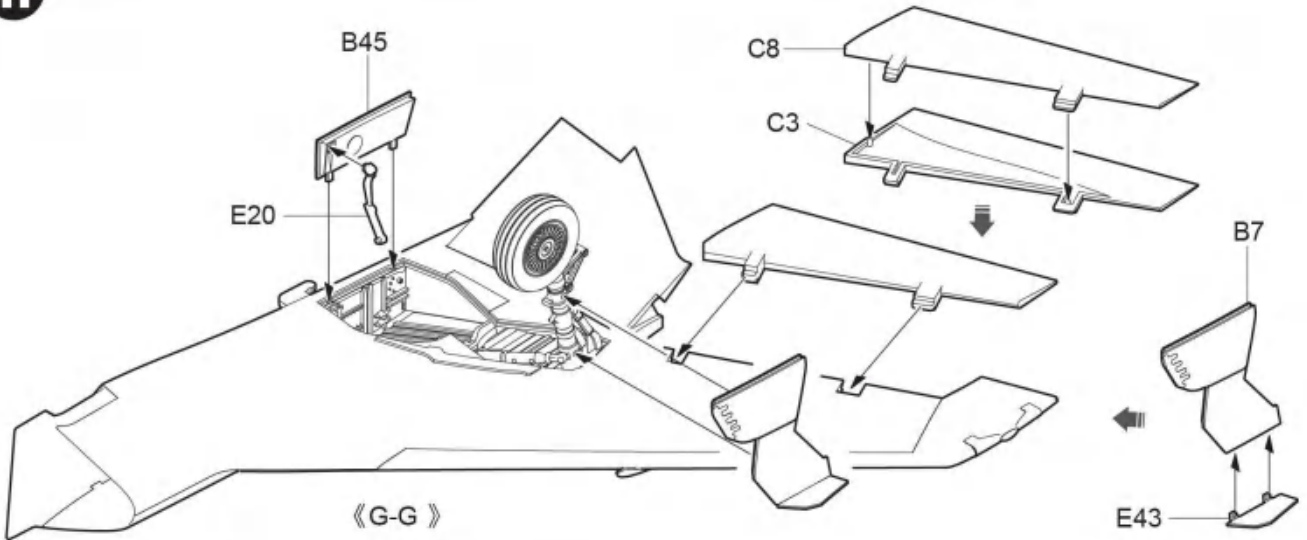
9



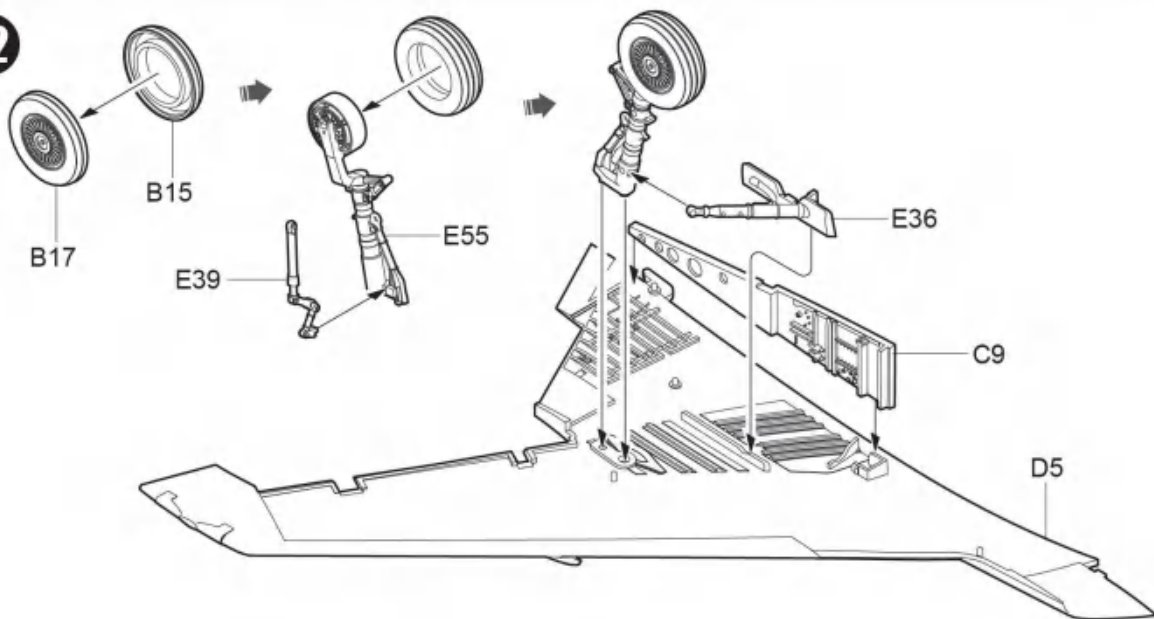
10



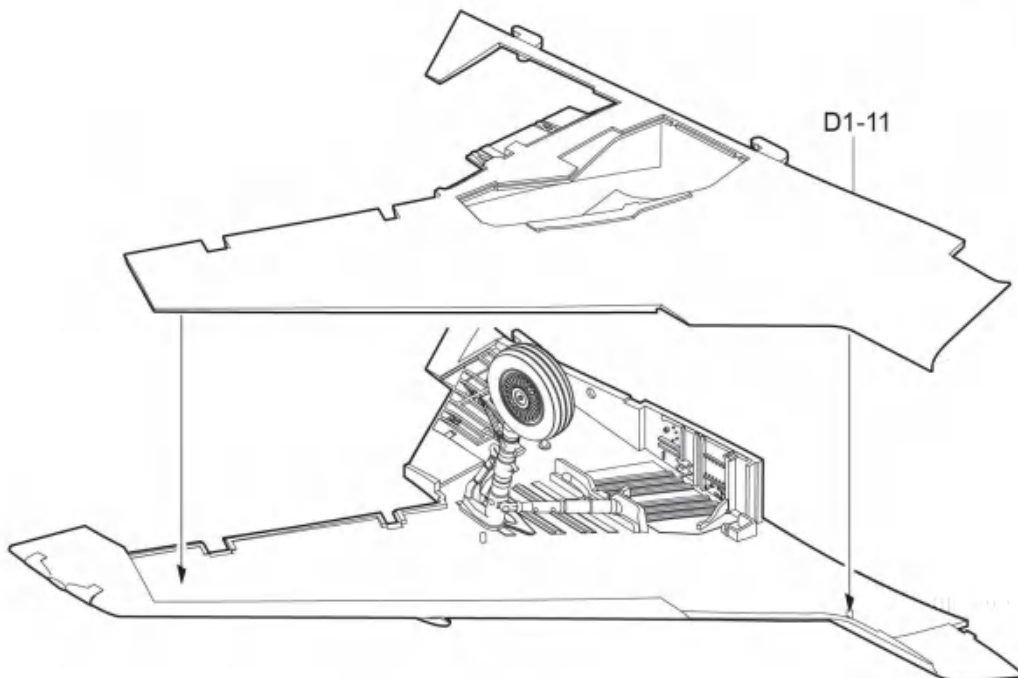
11



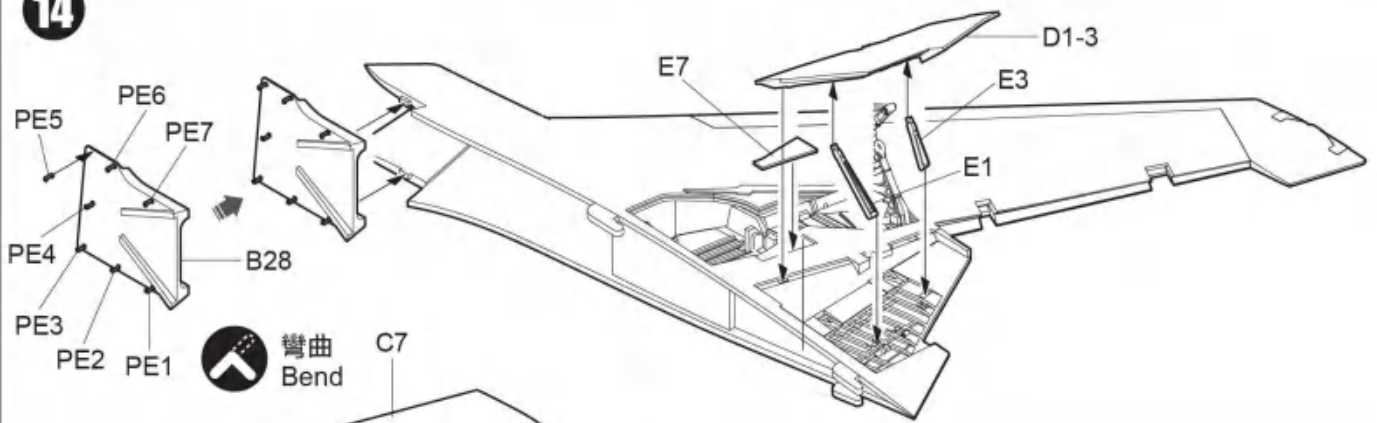
12



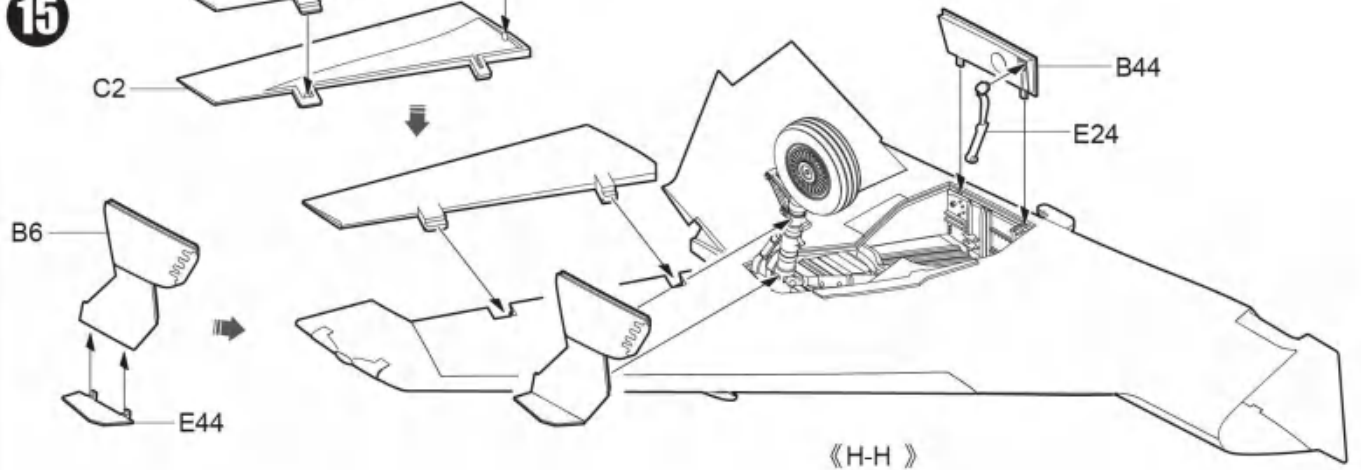
13



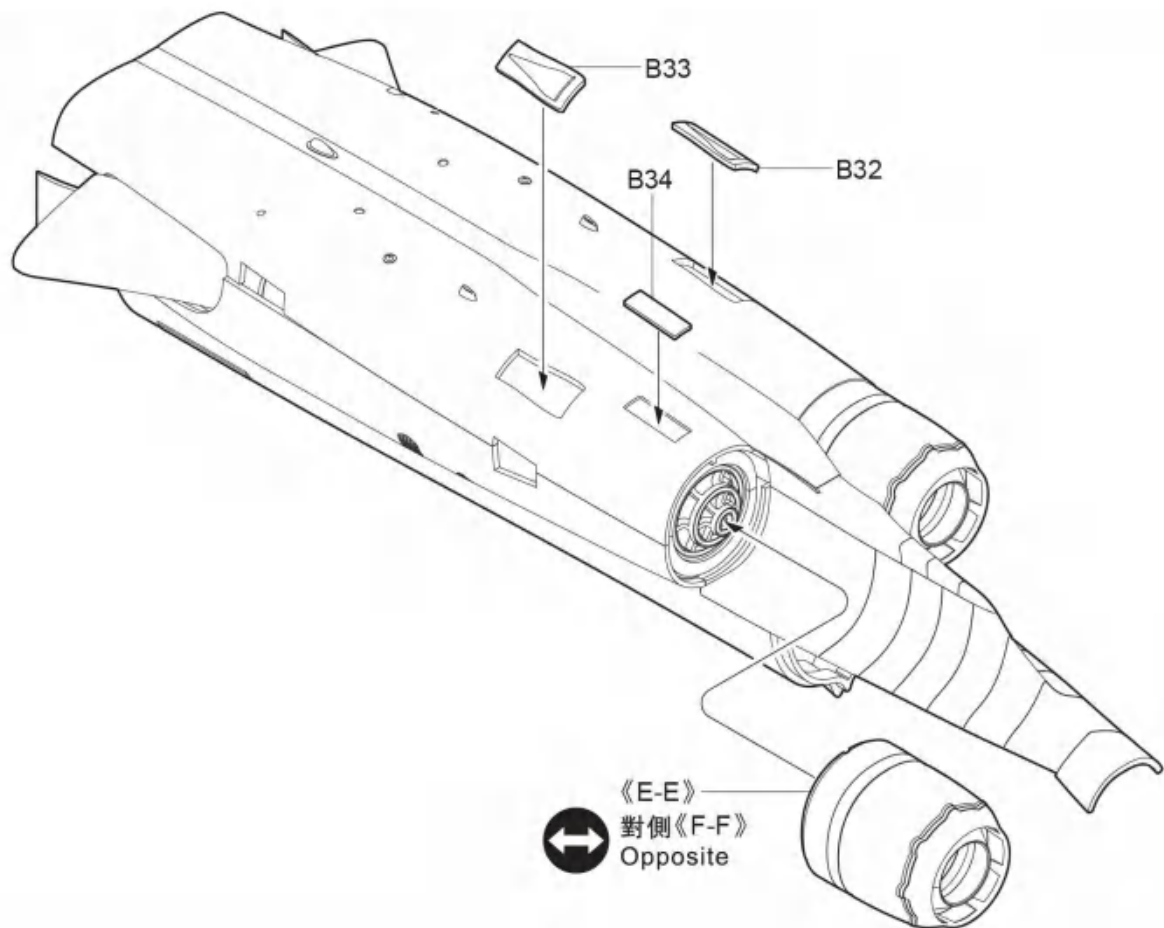
14



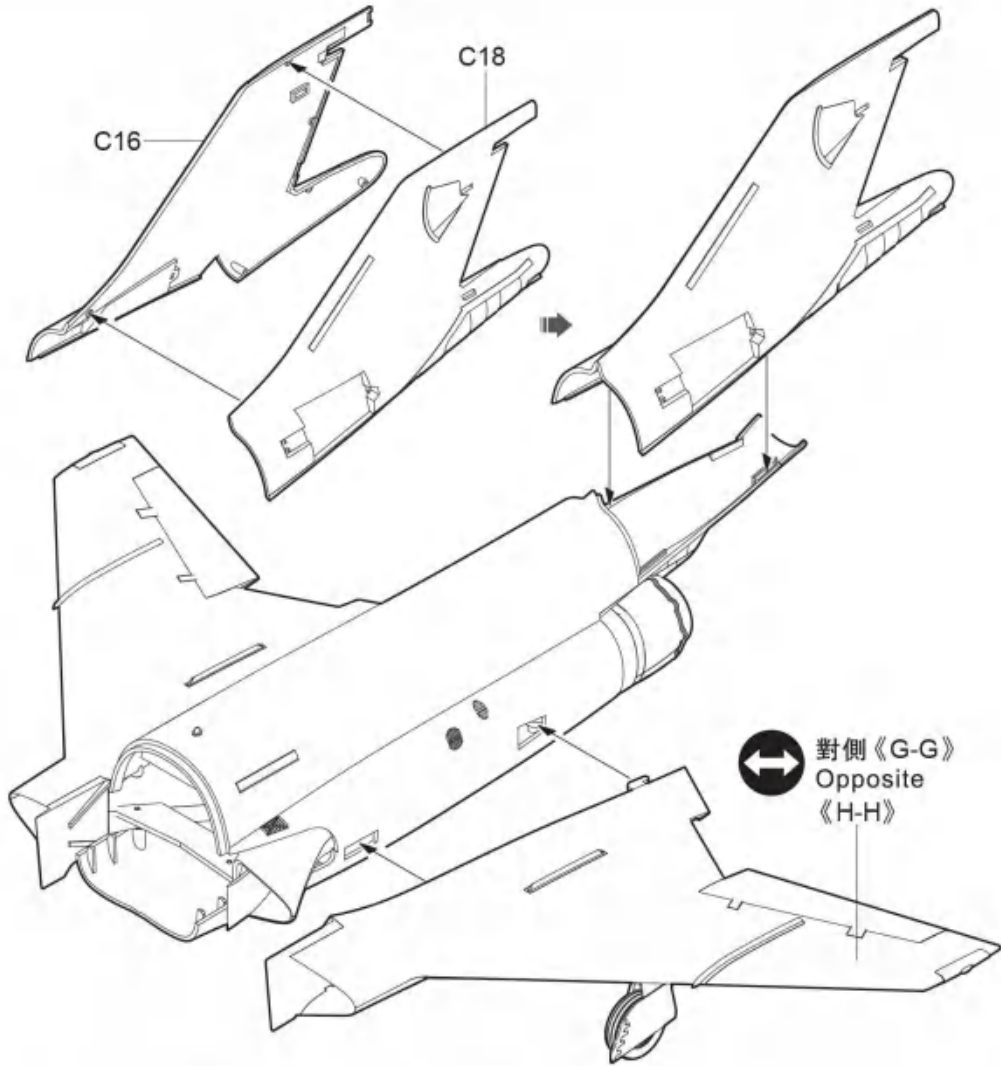
15



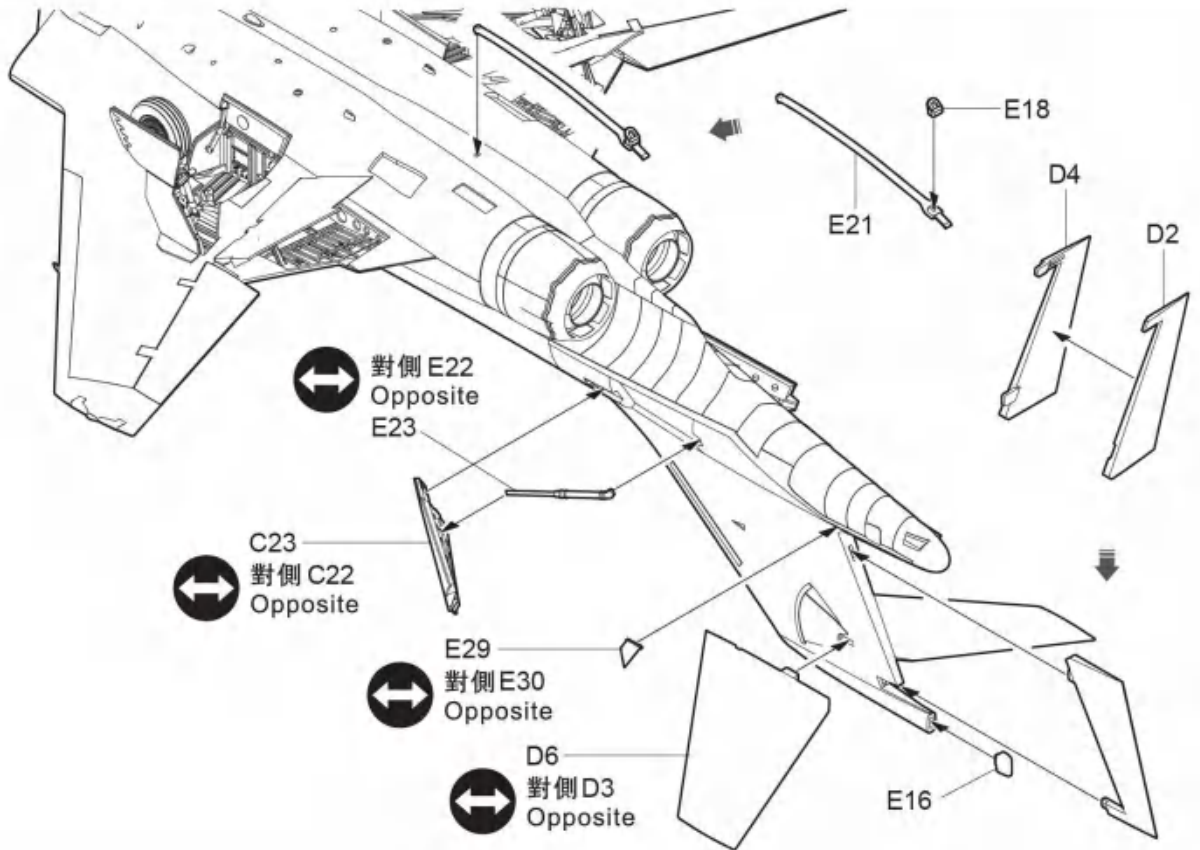
16



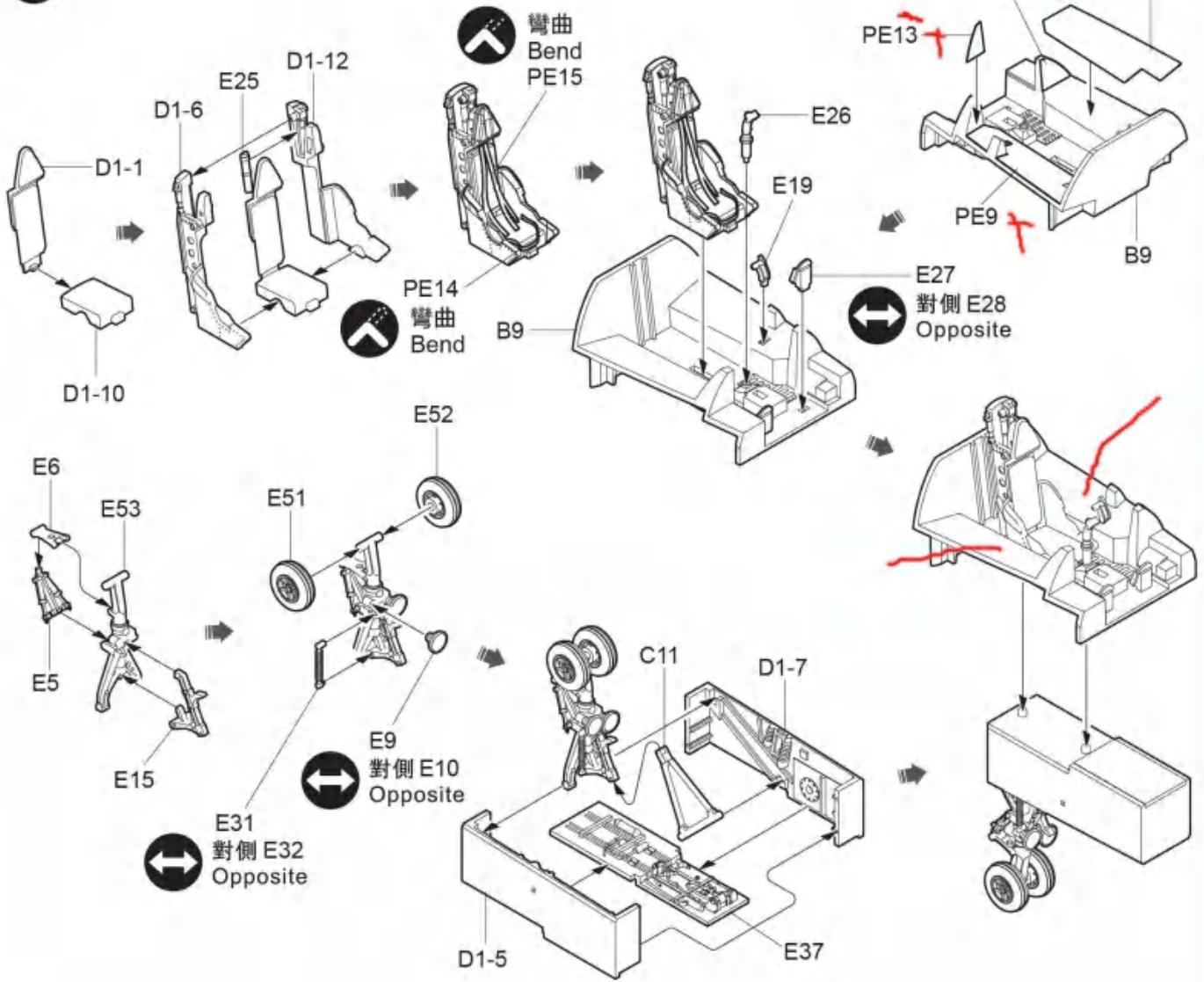
17



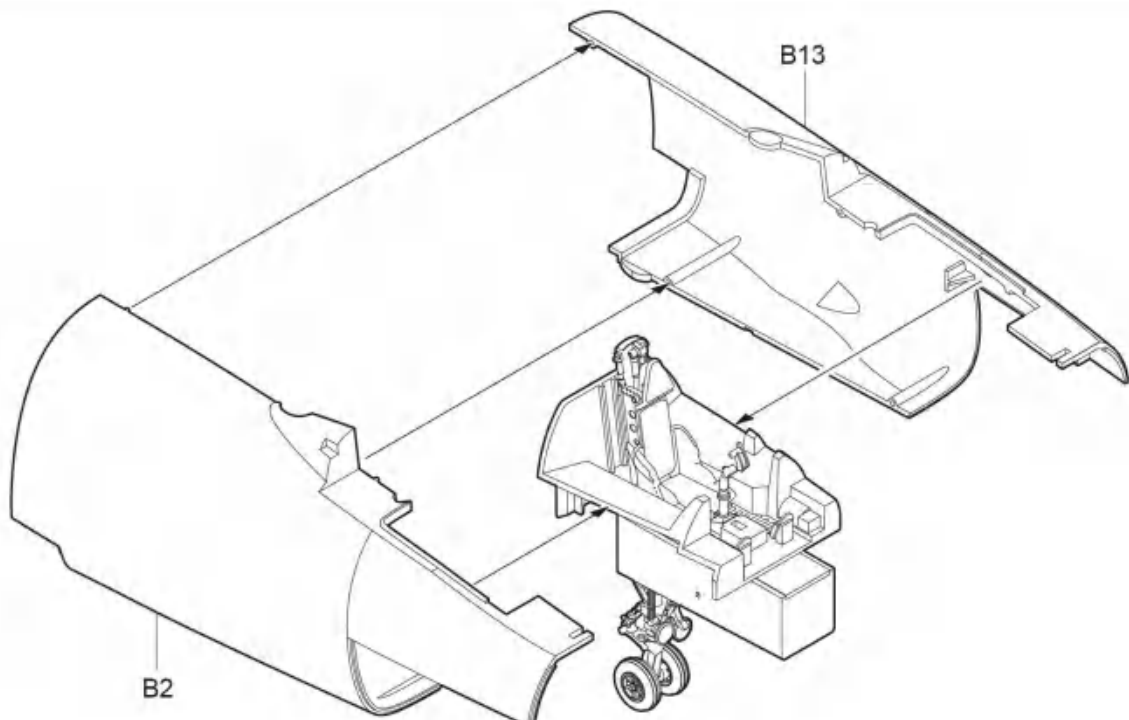
18



19



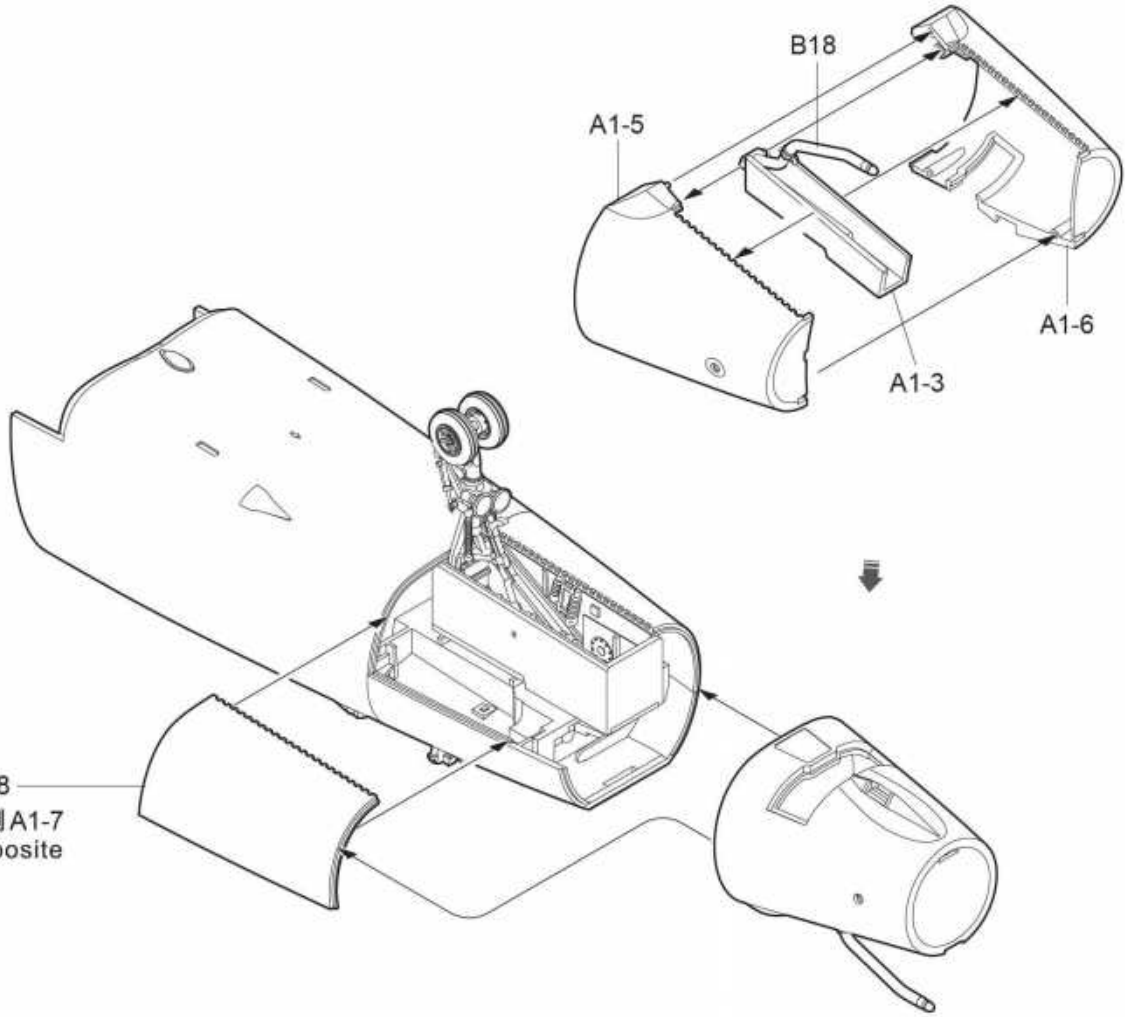
20



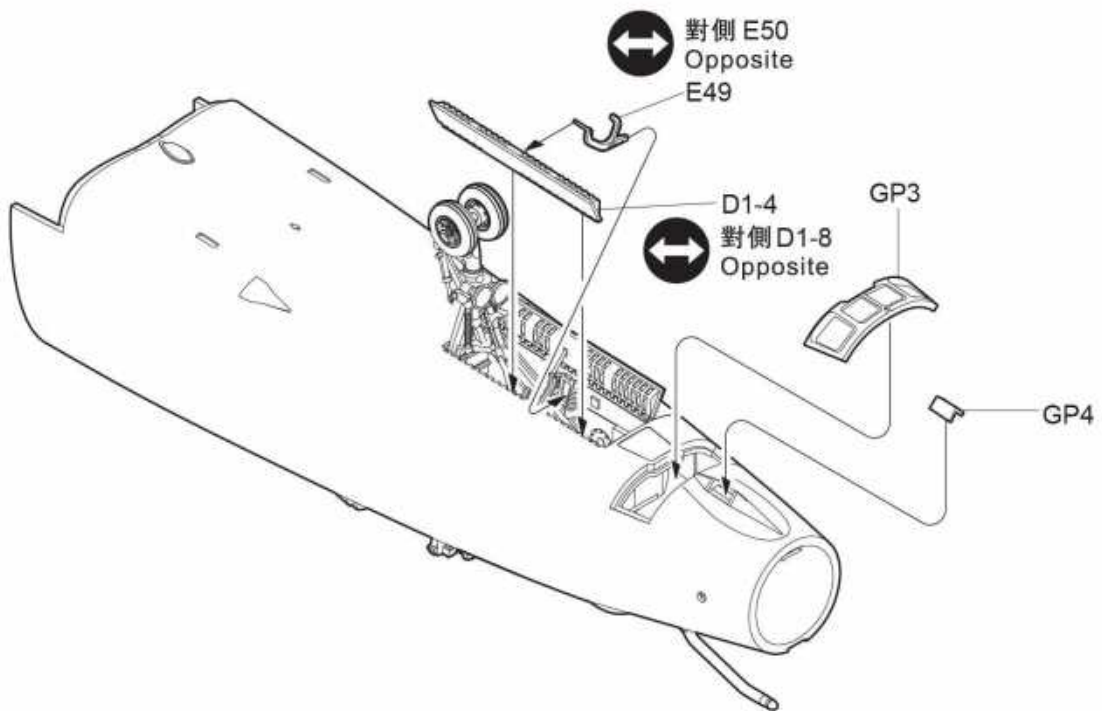
21



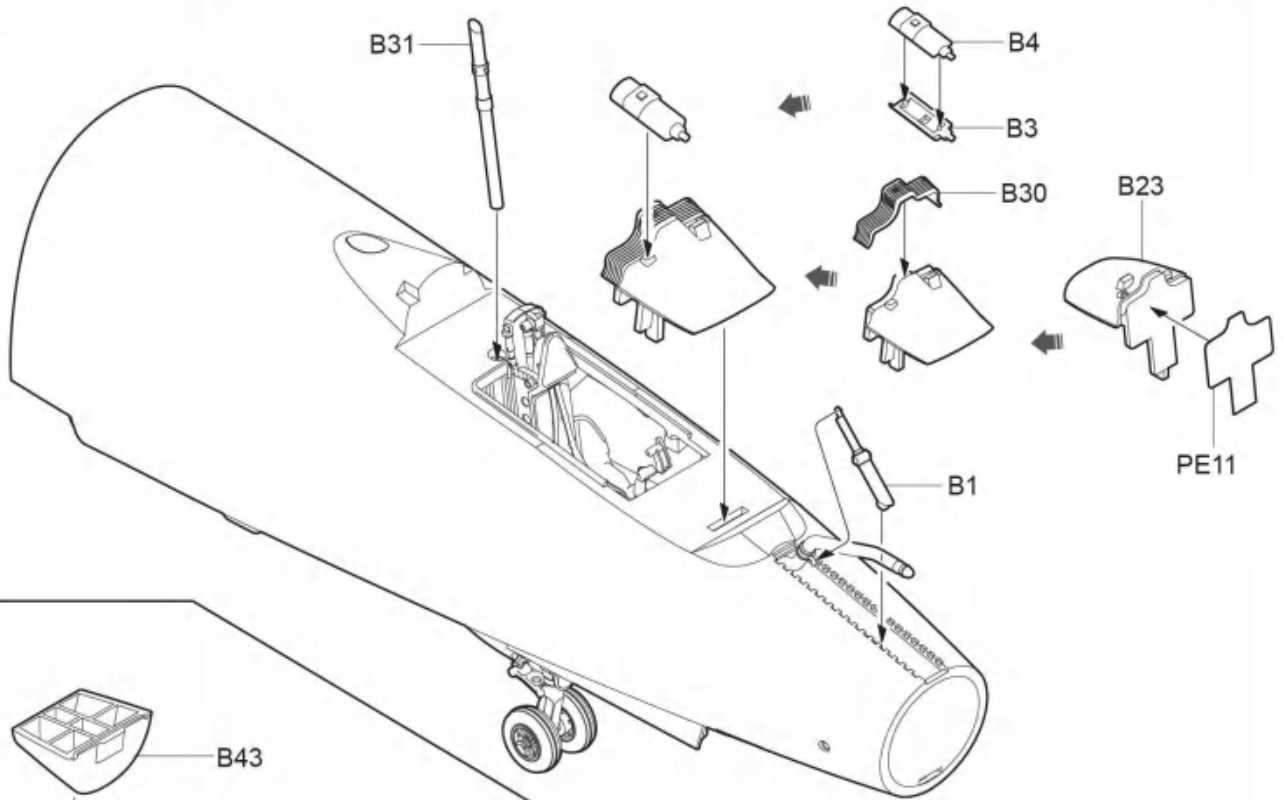
隨愛好選擇
Optional RF101-GH



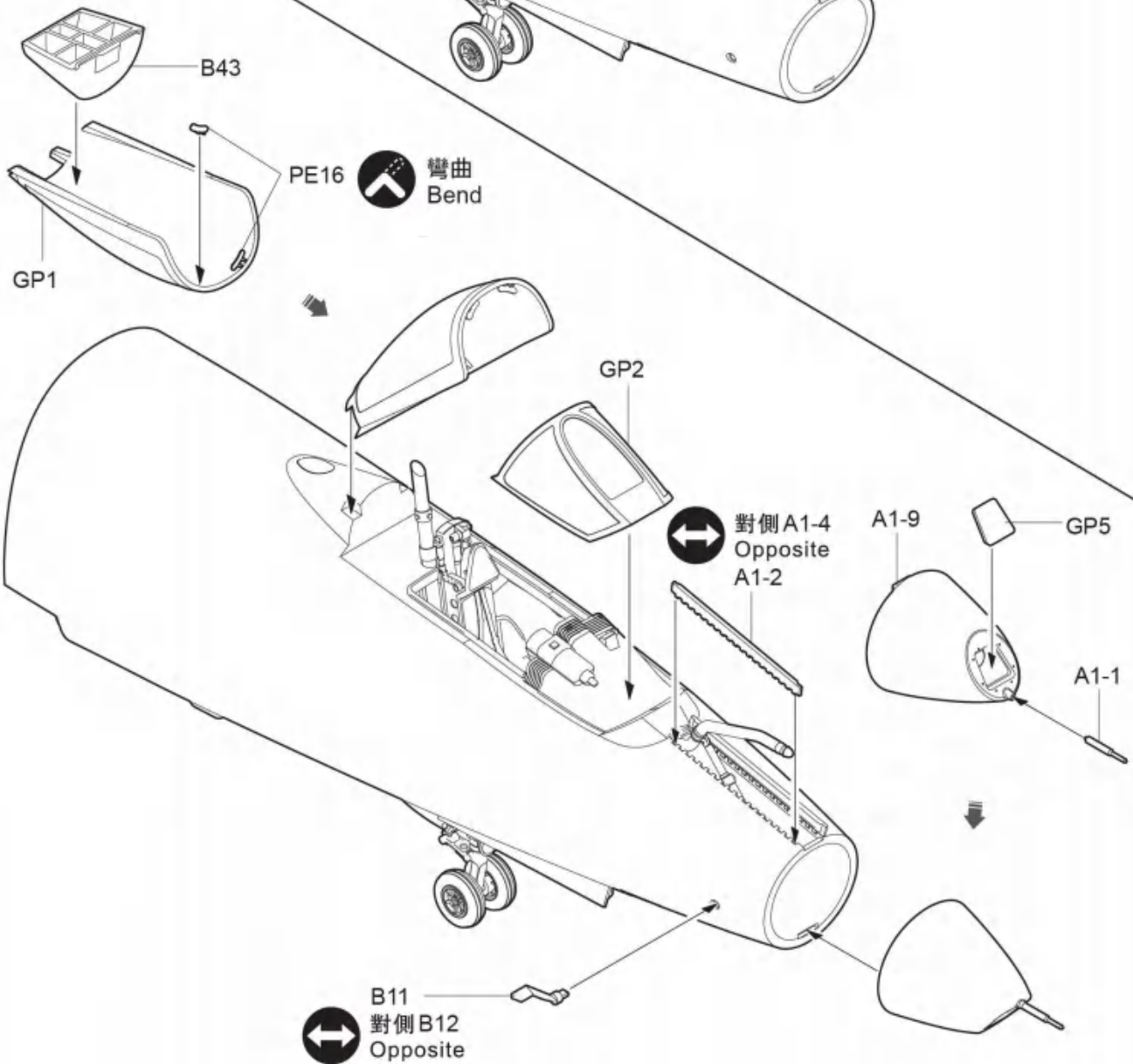
22



23



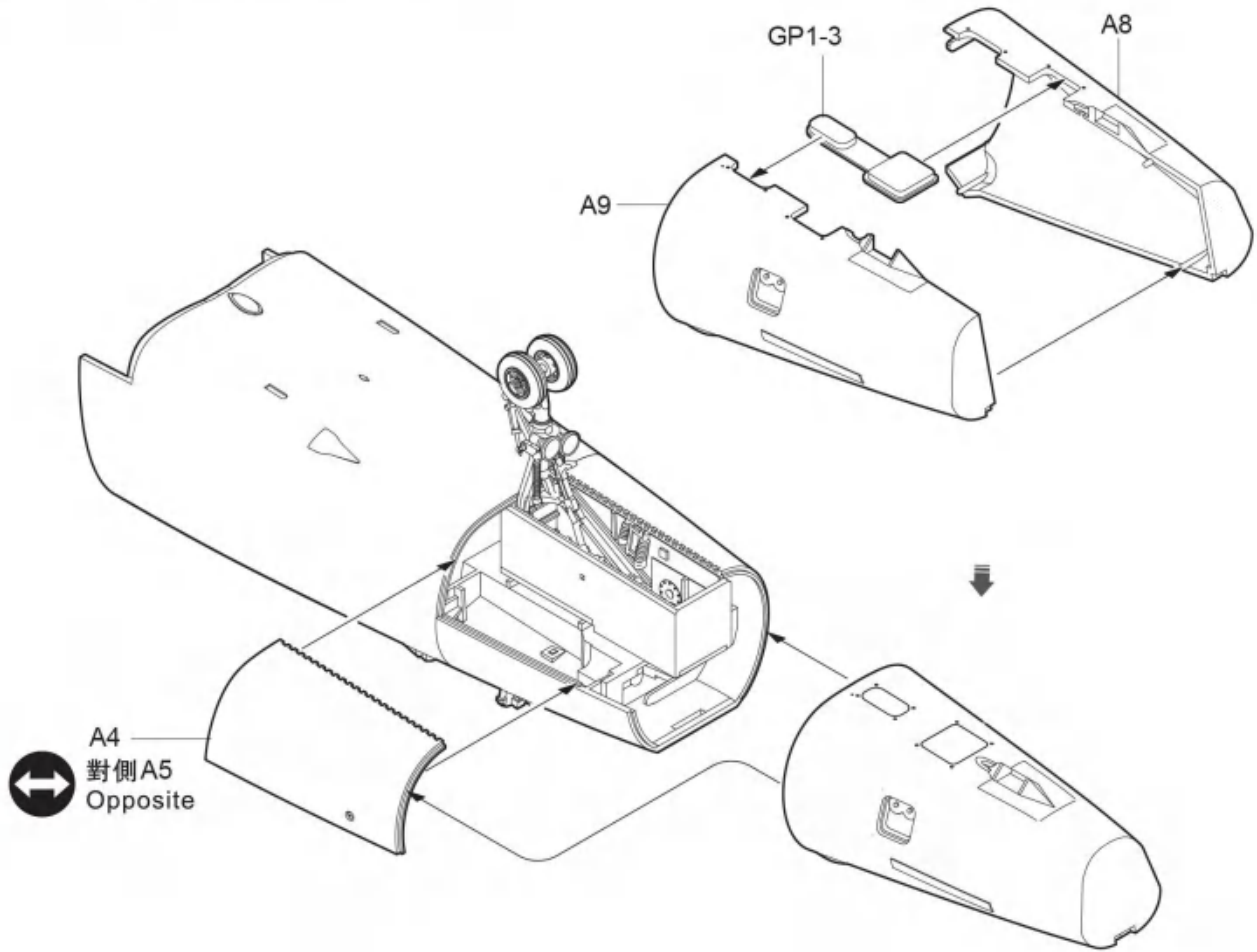
24



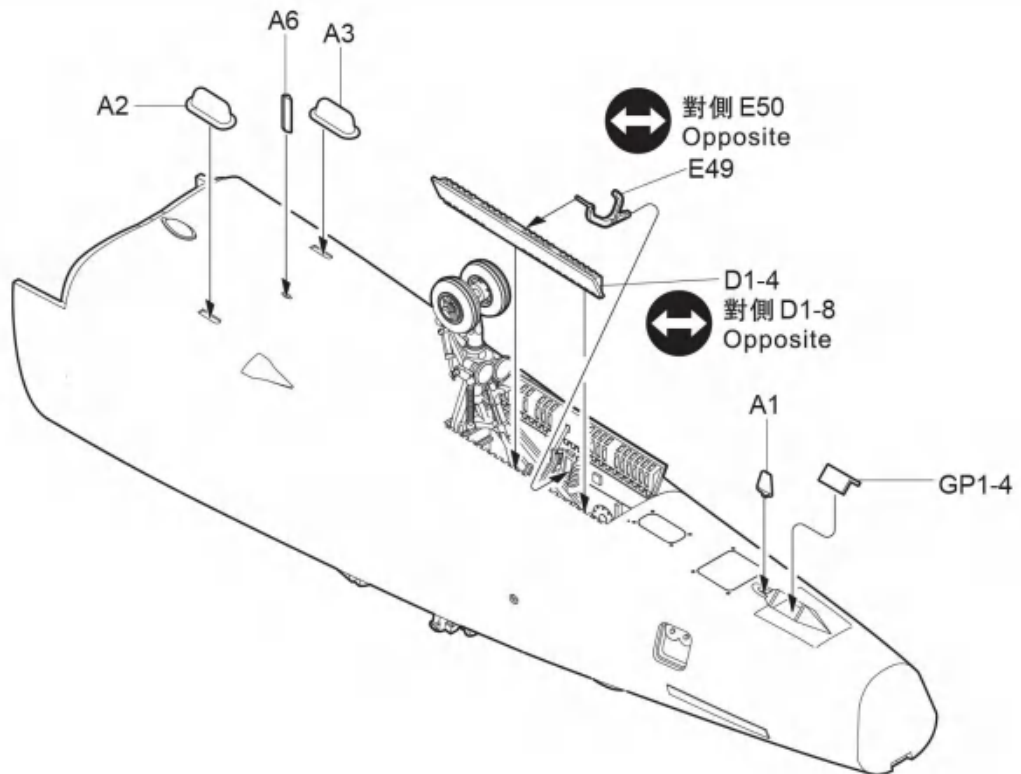
25

? 隨愛好選擇
Optional

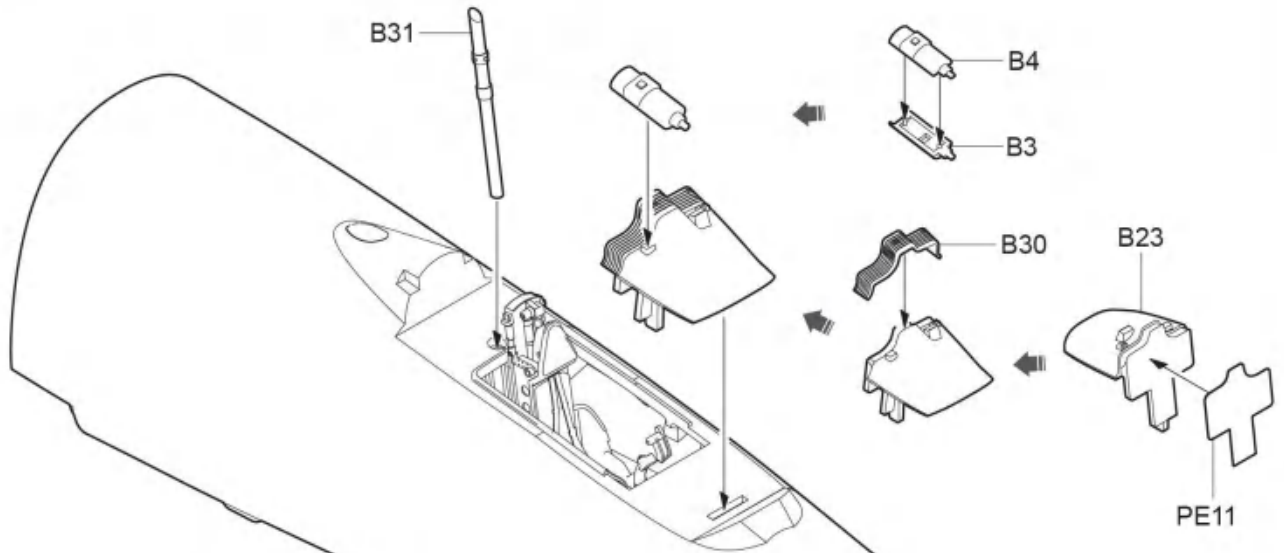
RF101-C



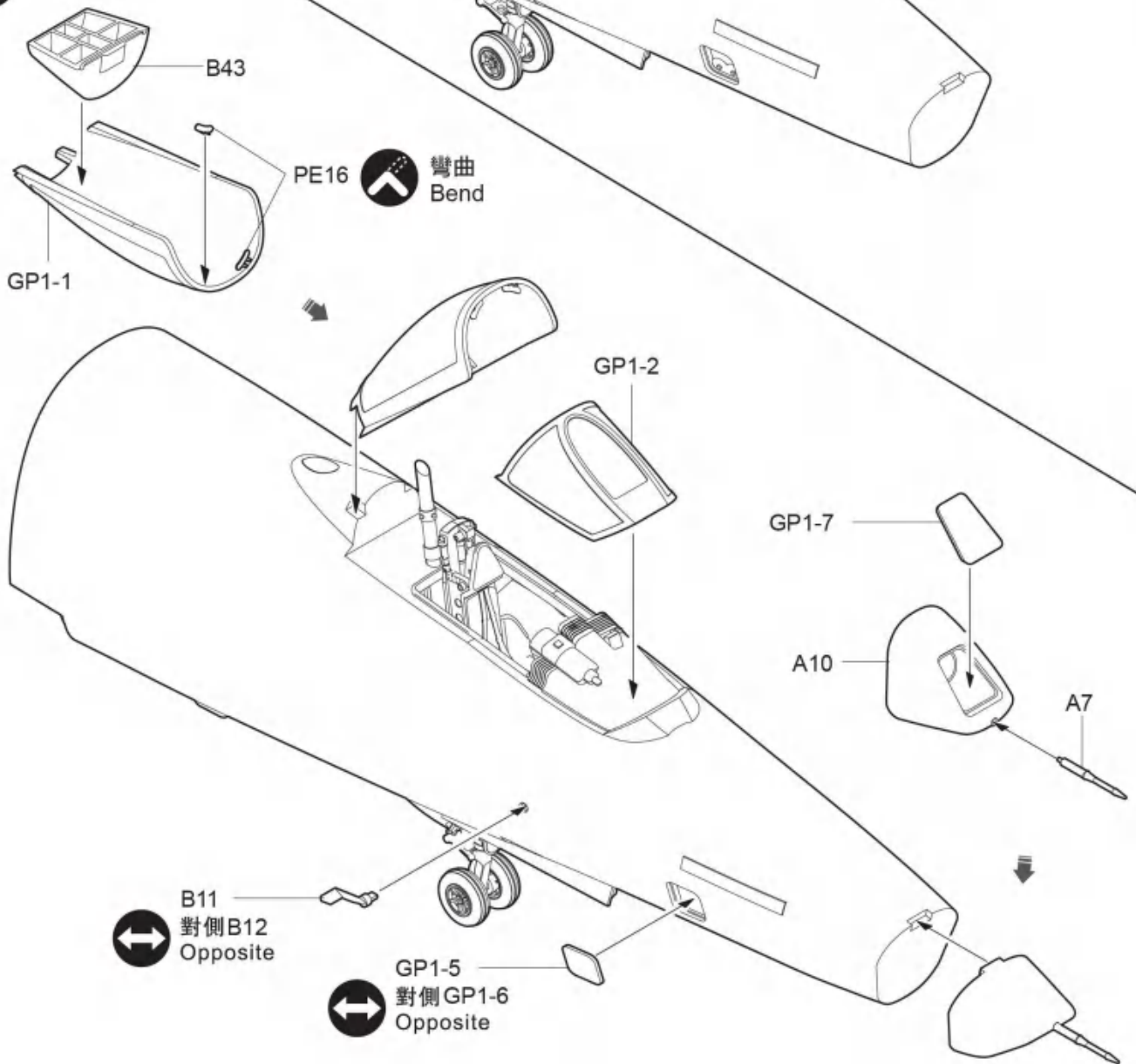
26



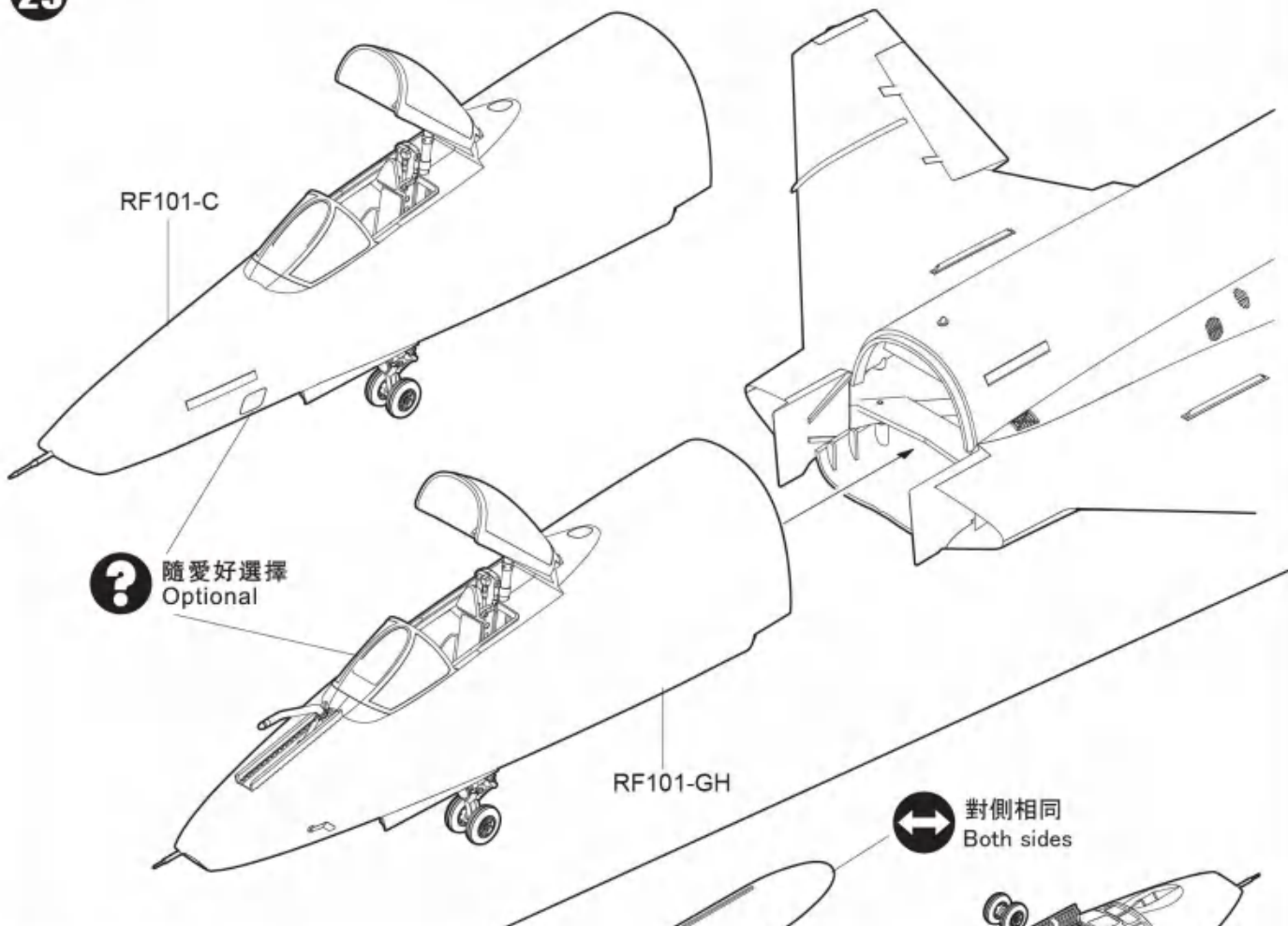
27



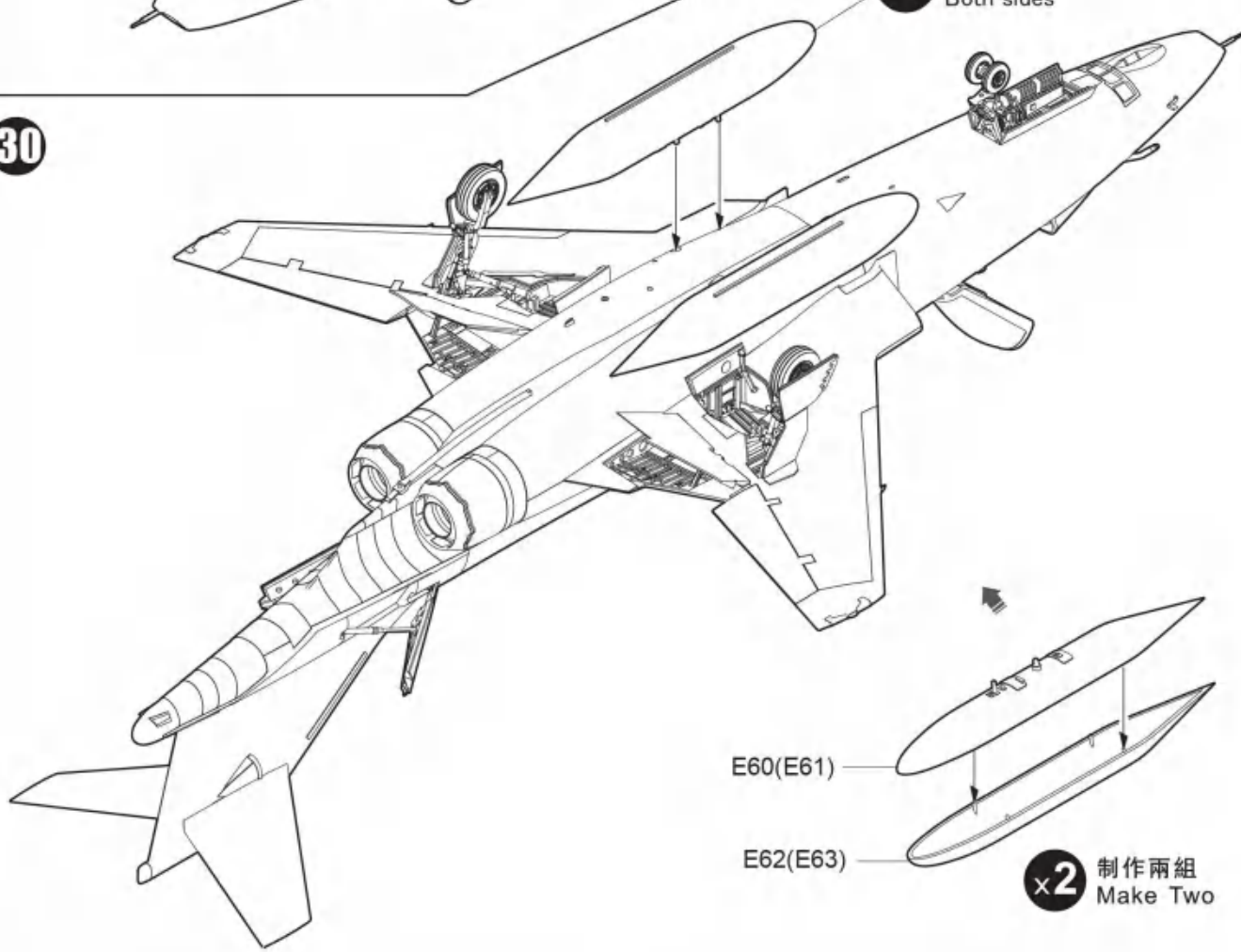
28



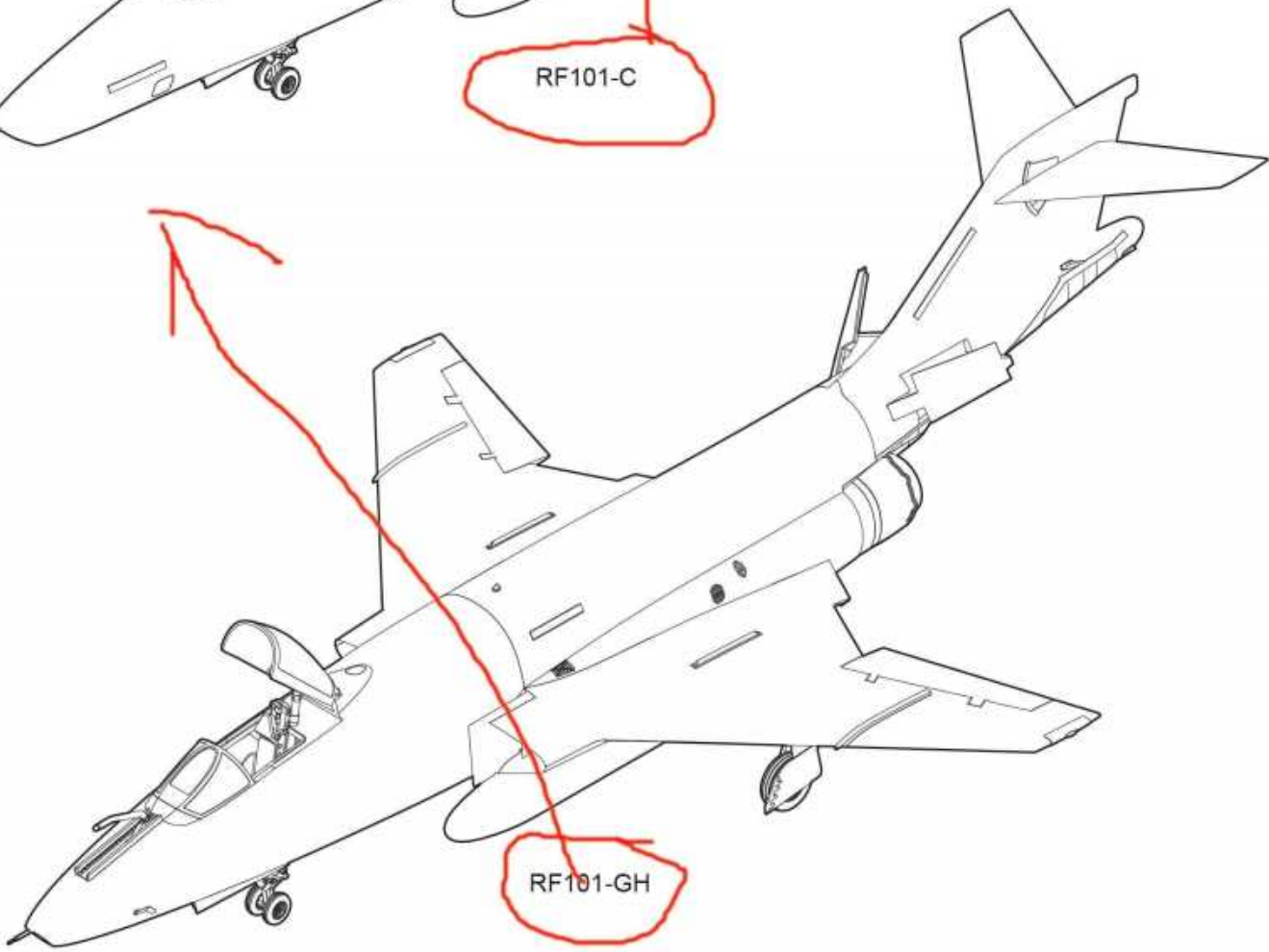
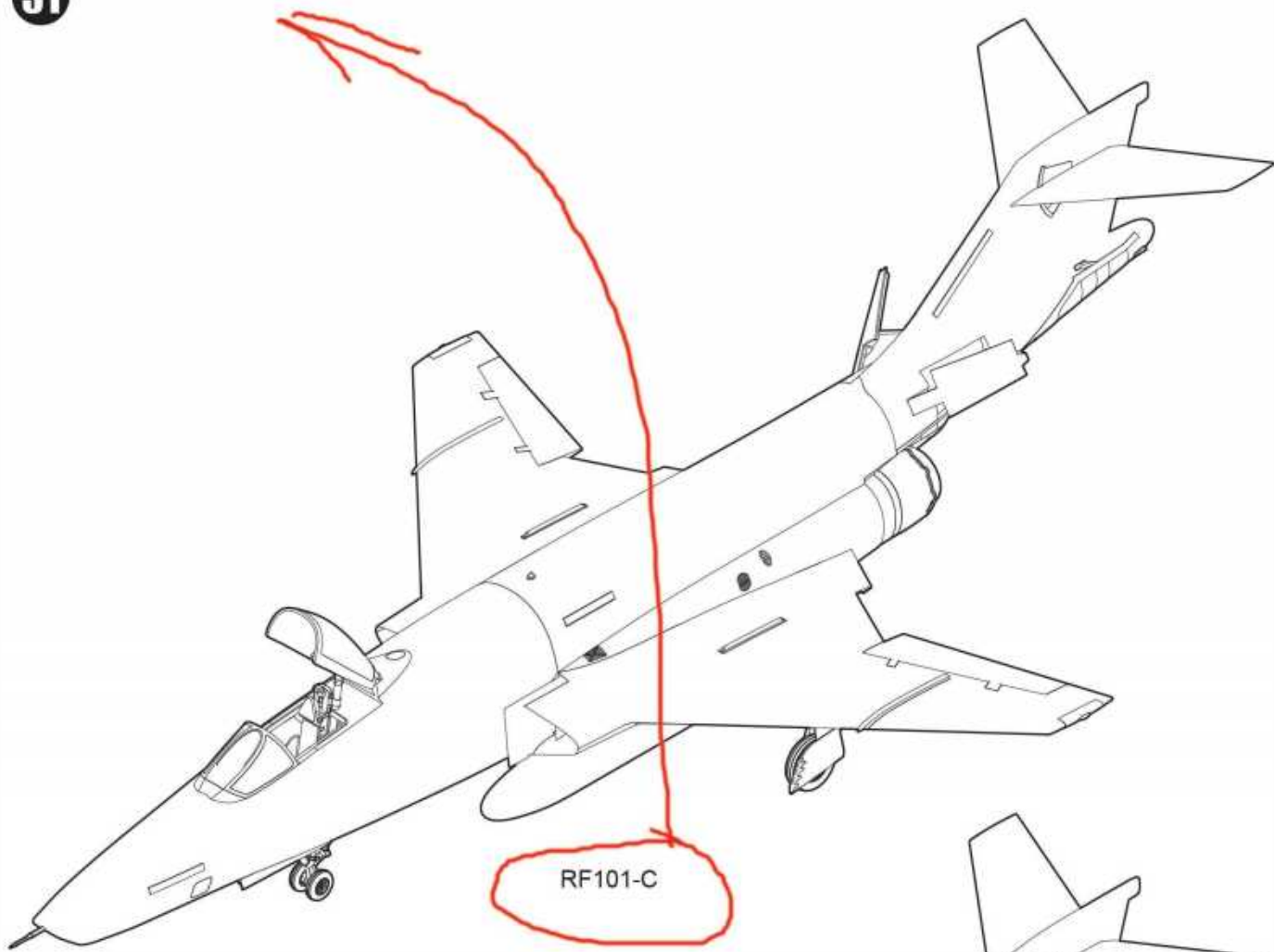
29

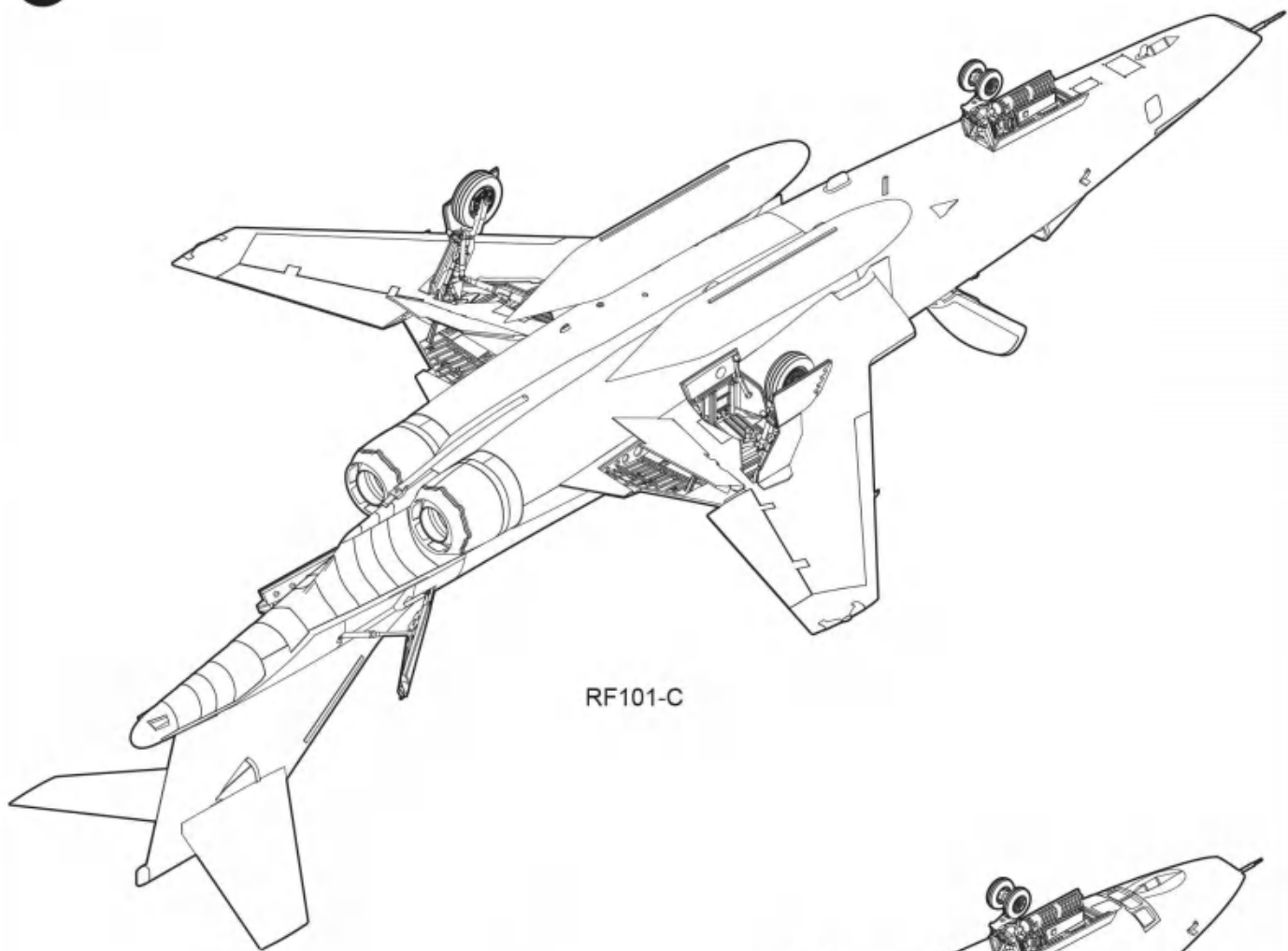


30

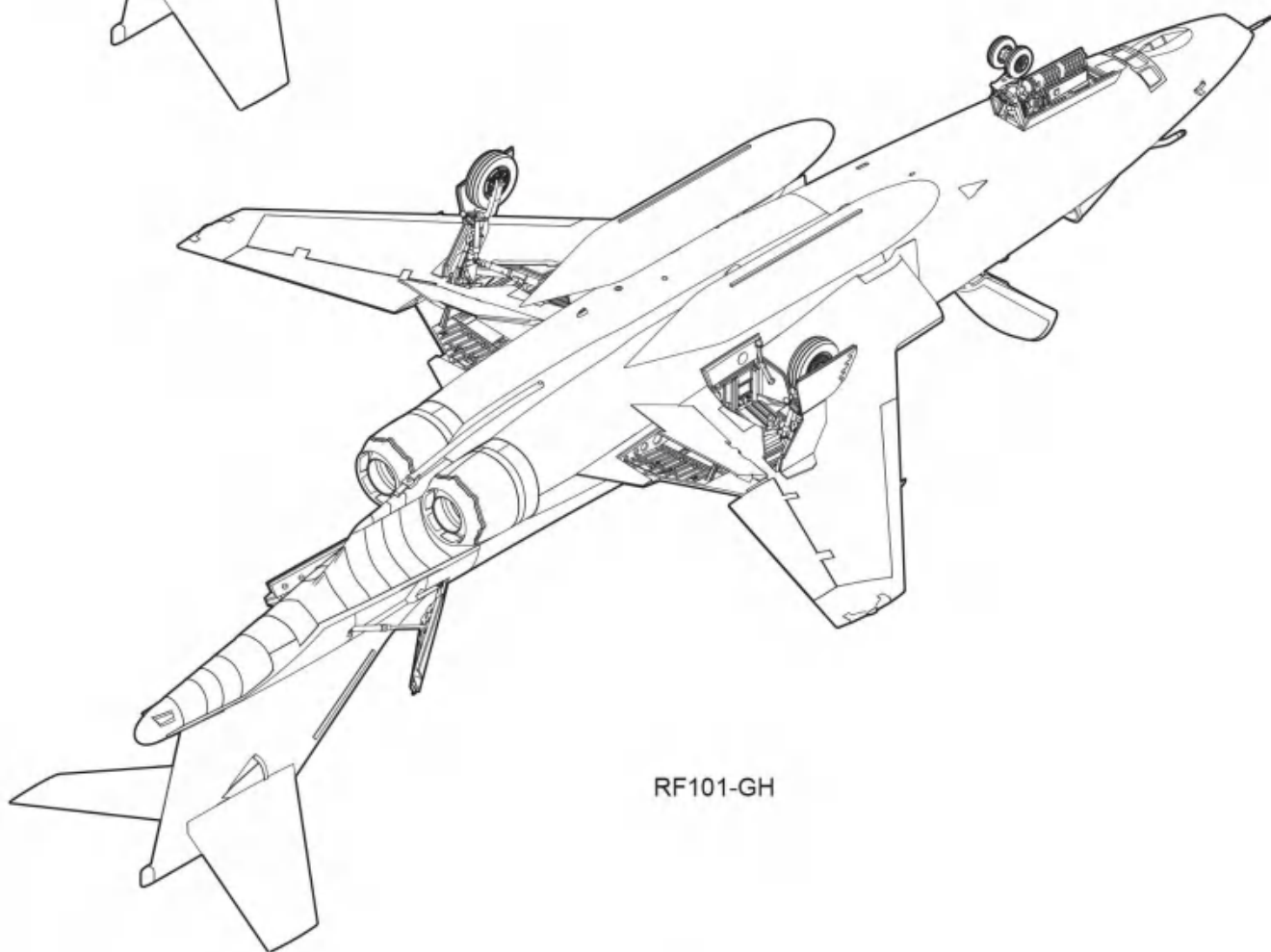


31





RF101-C



RF101-GH

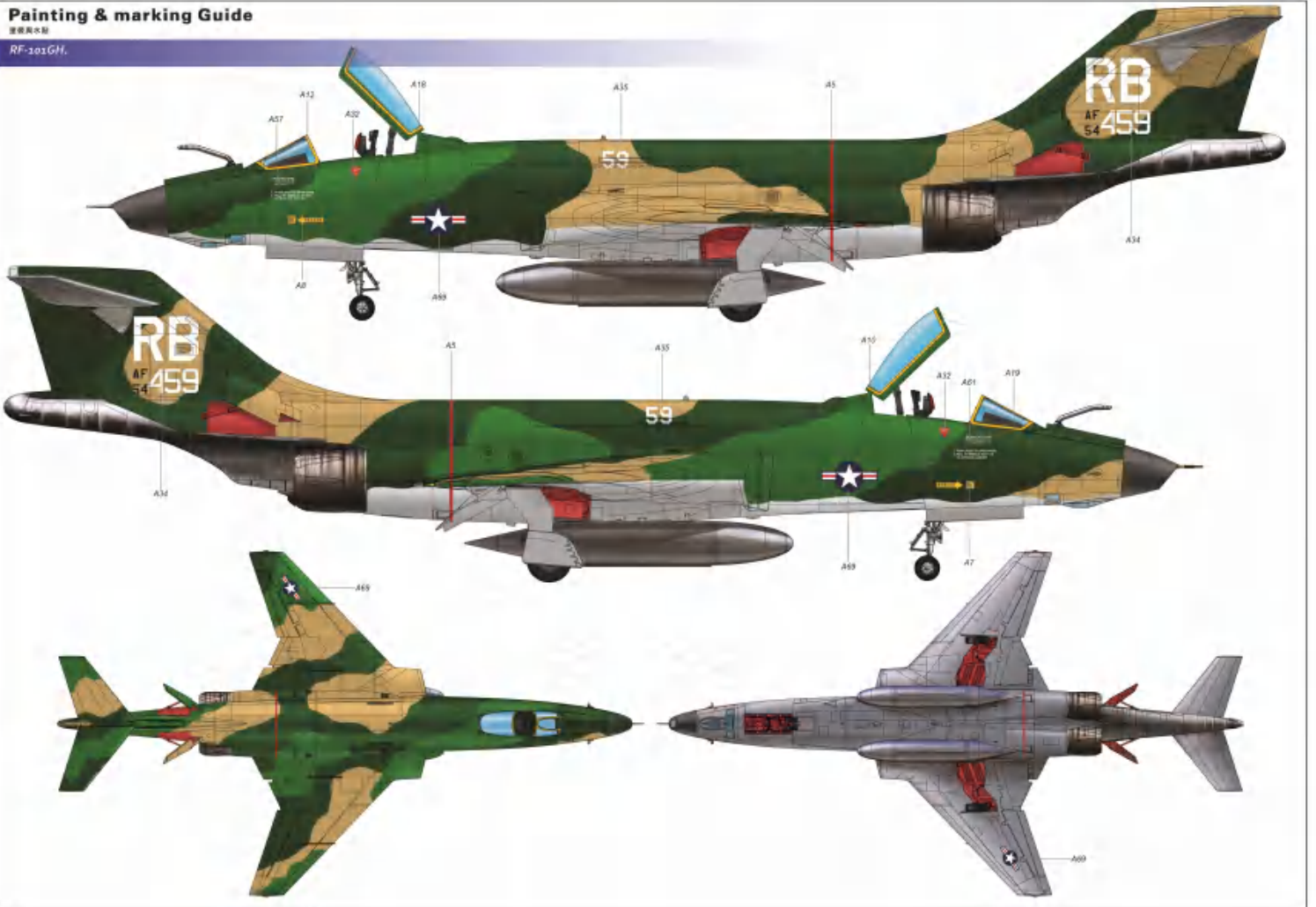
Painting & marking Guide

USAF, RF-101C, 'CIN MIN', Number 4 'SUN RUN', 60166



Painting & marking Guide

RF-101GH.



Painting & marking Guide

USAF, RF-101C, S/No.56-0053



Painting & marking Guide

RF-101C



Painting & marking Guide

RF-101C

