



1:48

Jas-39B/D Gripen



Instruction

ITEM NO. ZM80118

READ BEFORE ASSEMBLY

在組合您的模型之前，請充分閱讀本冊說明書。組合模型您需要如下物品（需另購）：模型膠水；一把模型鉗或一把用于將零件從框架上切下的模型筆刀。筆刀同樣可以用來修整零件的合模線。祝您制作愉快！

Before assembling your model kit, read through these instructions carefully. To assemble this kit, you will need Plastic glue (not include). A pair of side cutter or a sharp modelling knife is required for removing parts from the frame. Plastic mould lines can be removed with the modelling knife.



塗色
Painting



隨愛好選擇
Optional



組合完成
Finished Assembly



制作兩組
Make Two

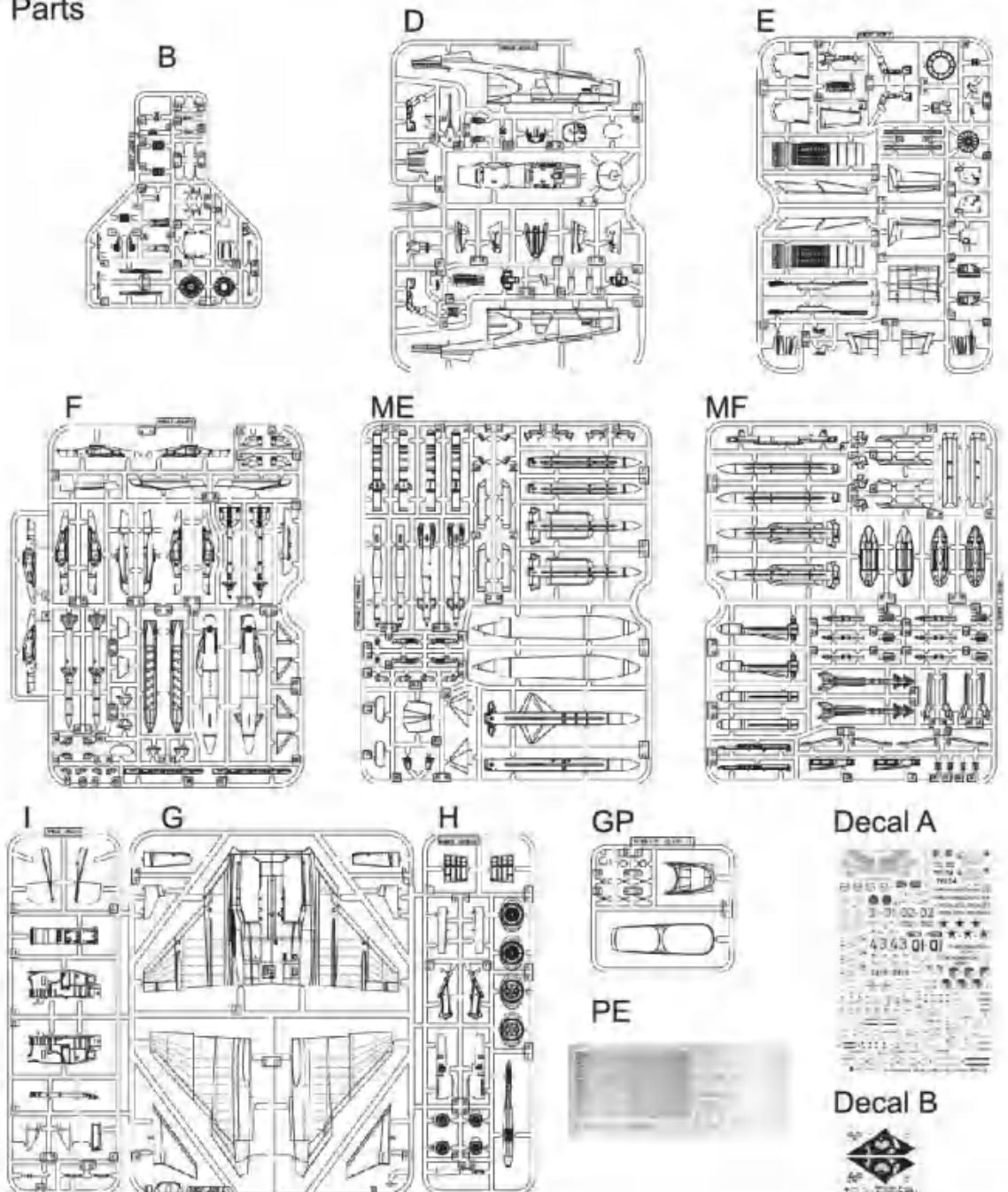


切除
Cut



對側
Opposite

部品图 Parts



1

Decal 102

Decal 100

GRAY FS 36622
FS 36622 灰

D14 B12

D21

D4

GRAY FS 36622
FS 36622 灰

PE13

D16(D17)

x2 制作兩組
Make Two

2

Decal 105

Decal 103

GRAY FS 36622
FS 36622 灰

D11(E15)

D10(E17)

OLIVE DRAB
橄欖褐

D21(E16)

BLACK
黑色

D25(E35)

彎曲
Bend

PE9(PE12)

PE10(PE17)

D12(E13)

x2 制作兩組
Make Two

D18

3

D5

D8

D6

D9

4

H15(H17)

H14(H16)

TIRE BLACK
輪胎黑

H19

B15

E14

《A-A》

x2 制作兩組
Make Two

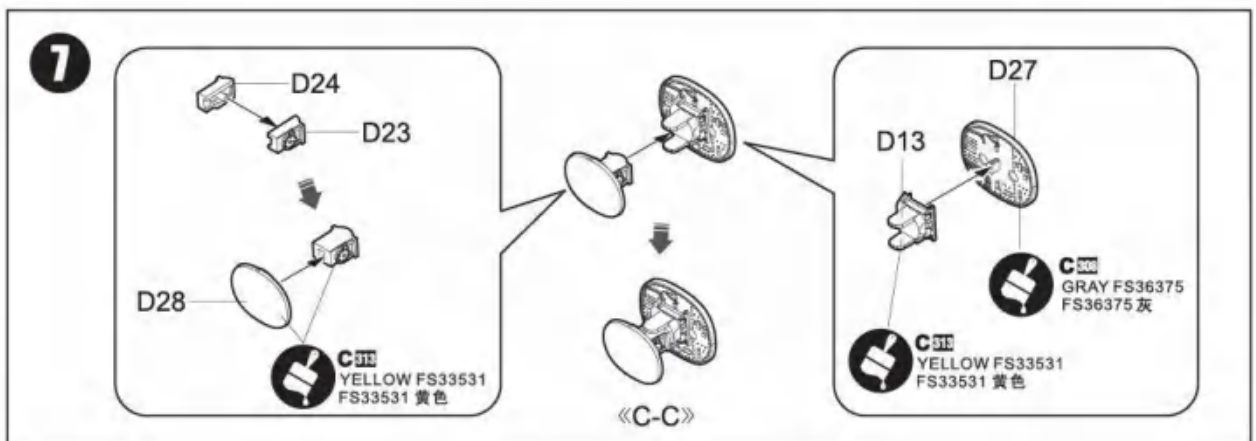
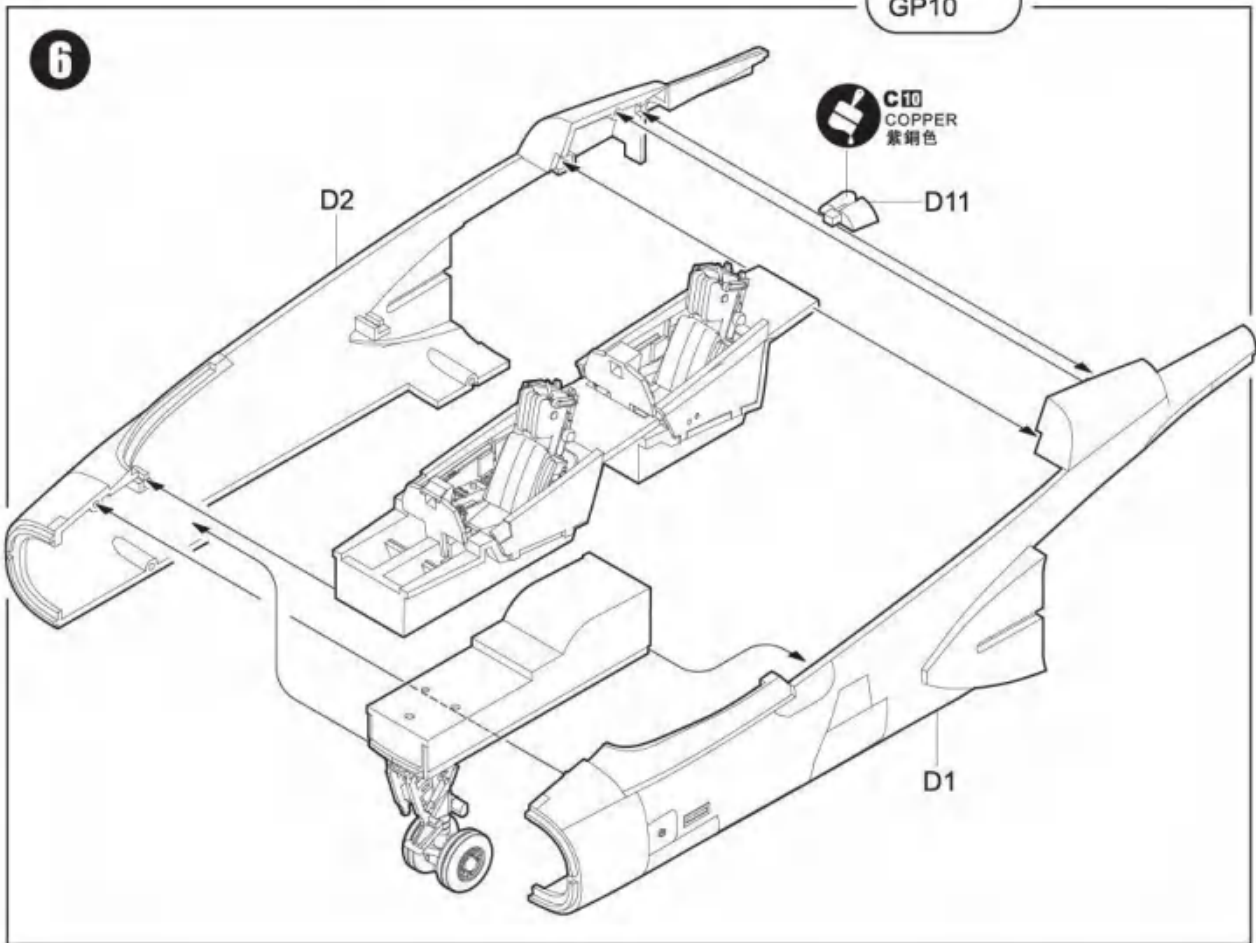
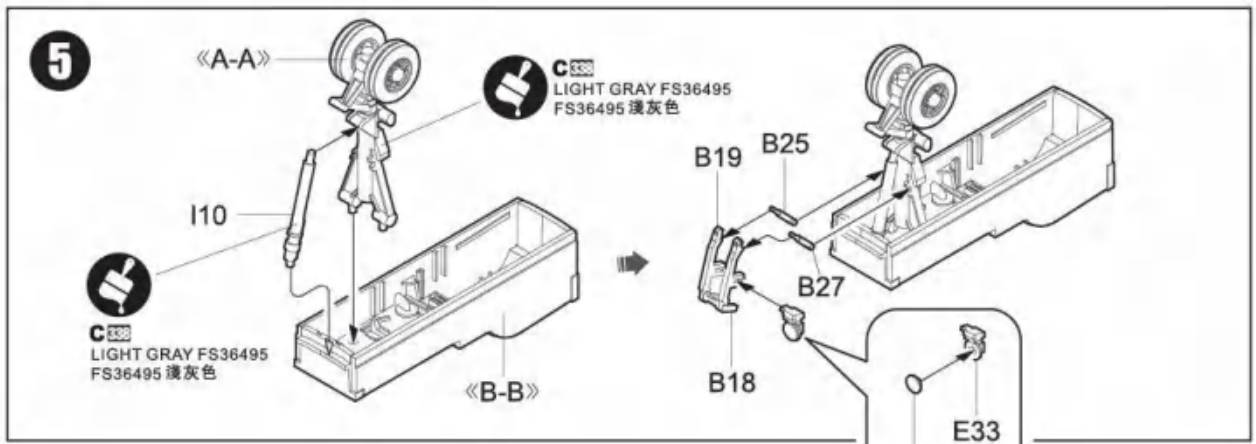
H13

I3

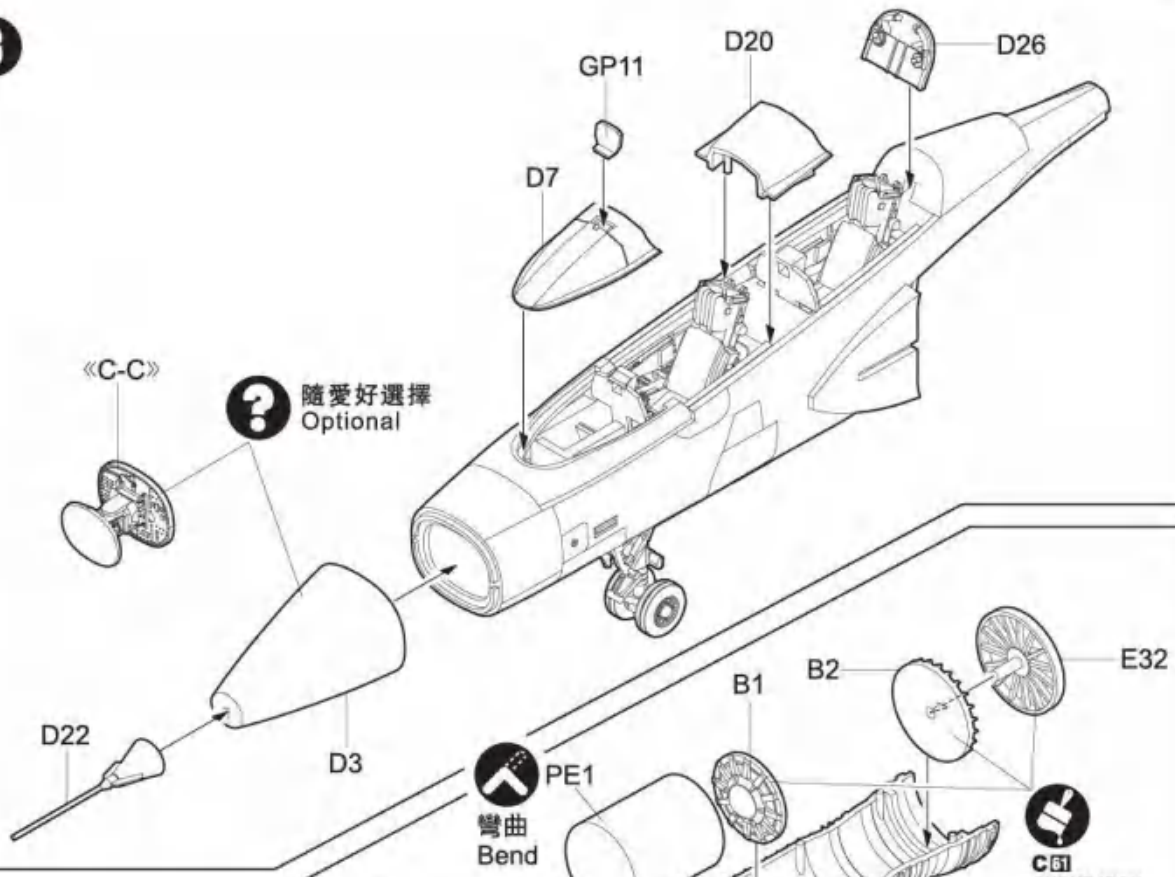
H12

WHITE
白色

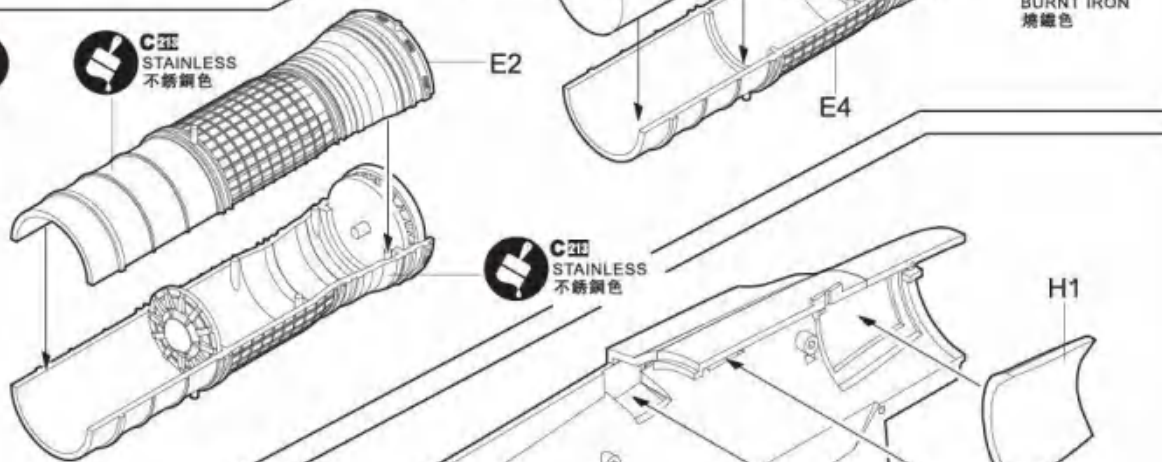
《B-B》



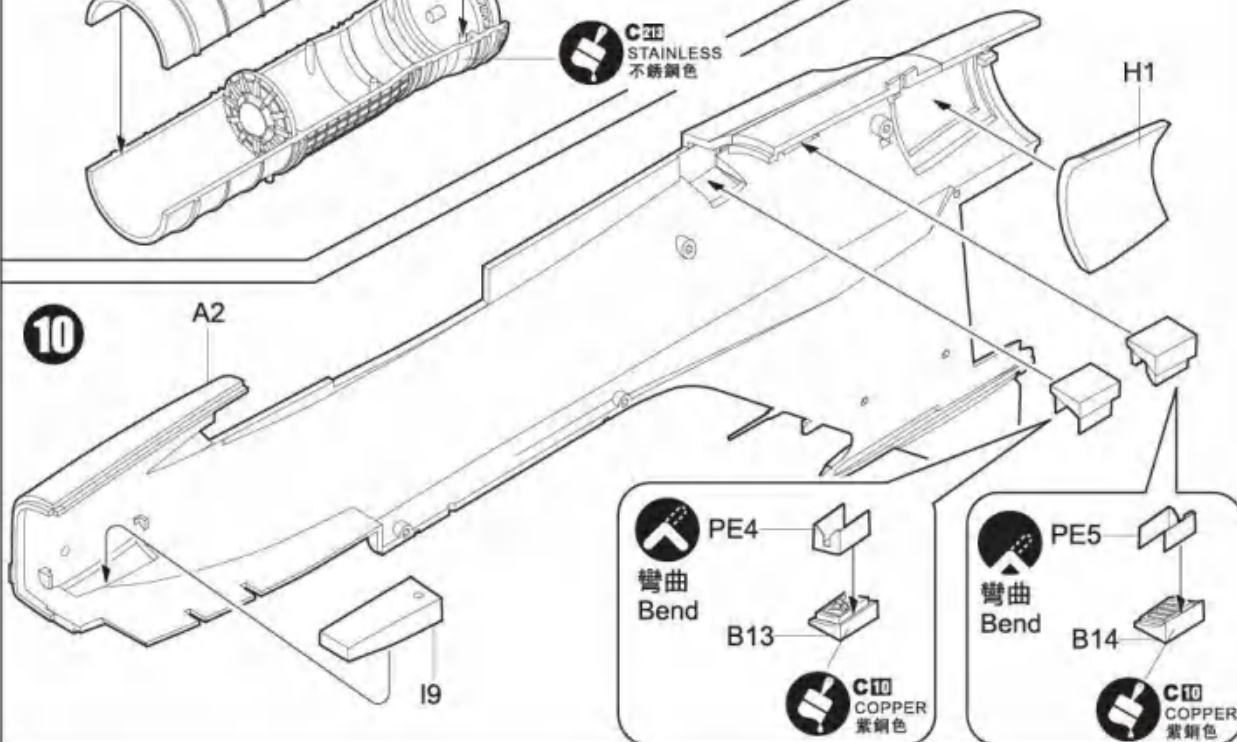
8

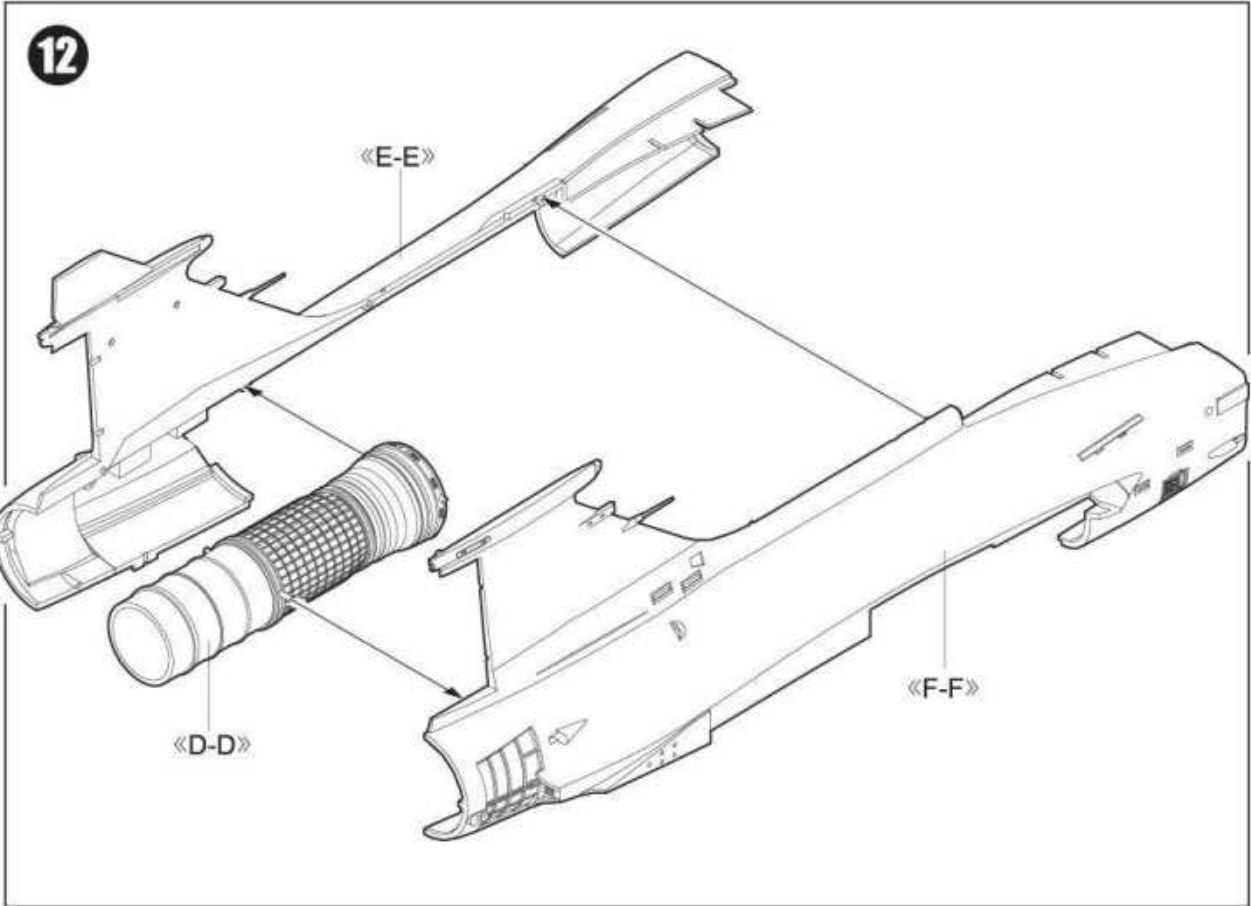
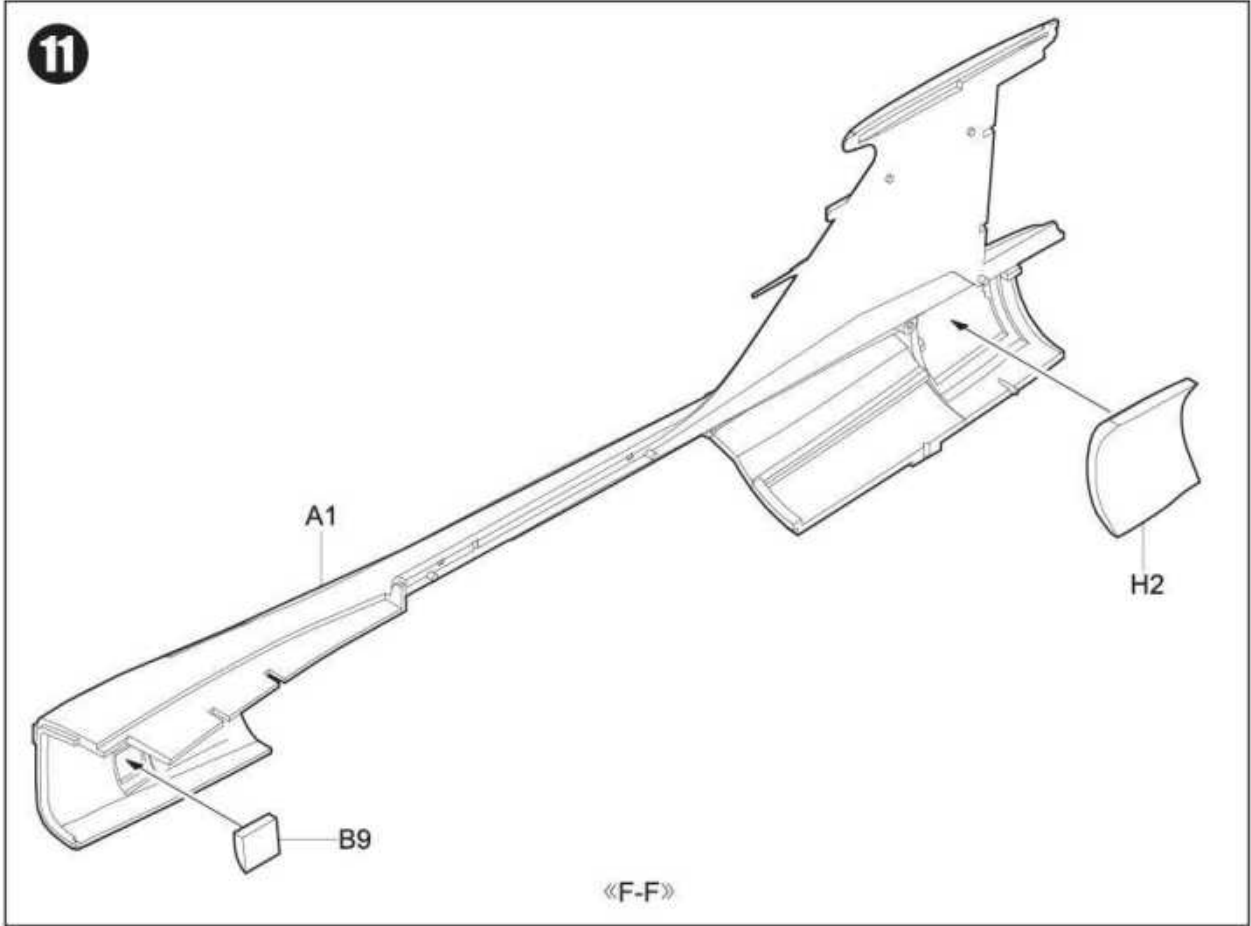


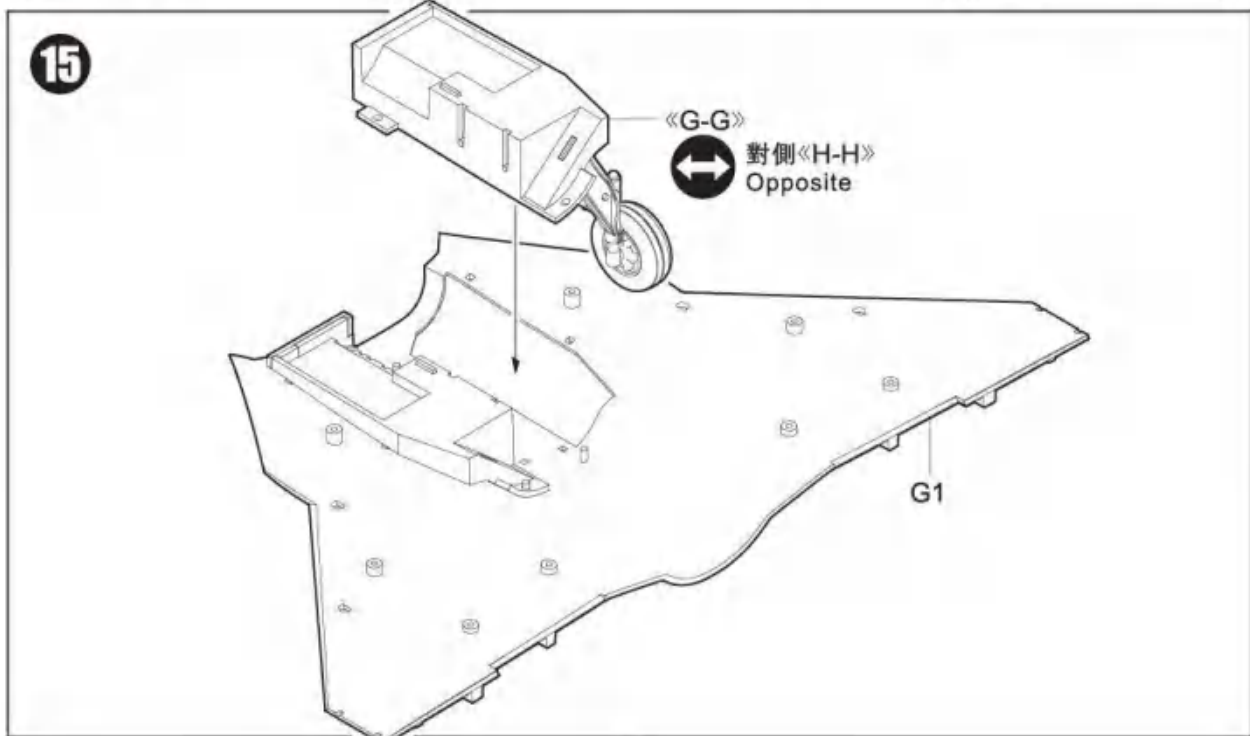
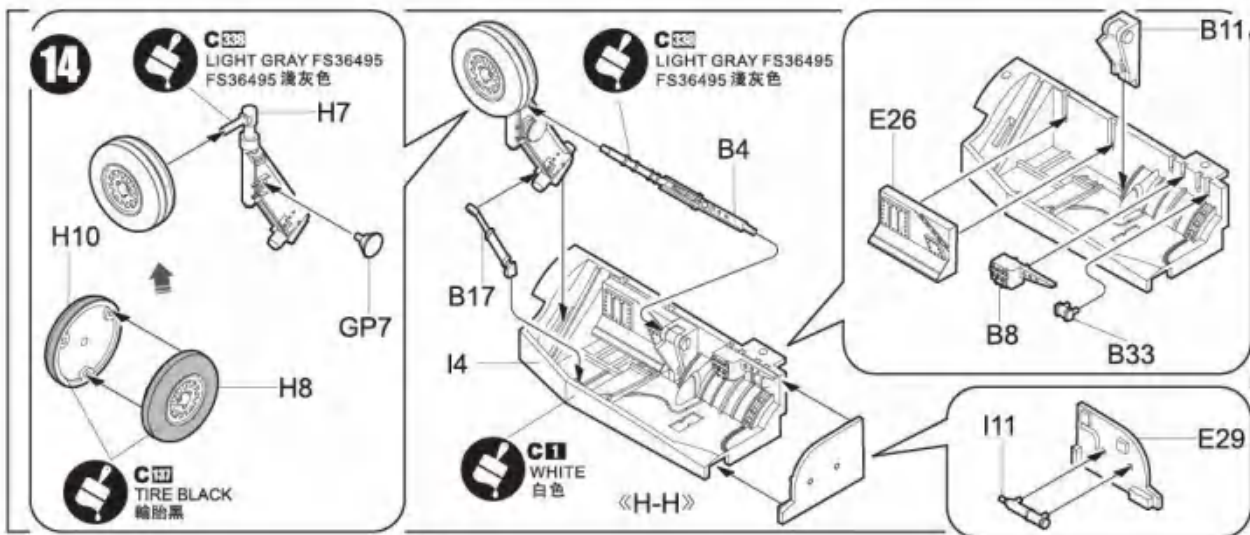
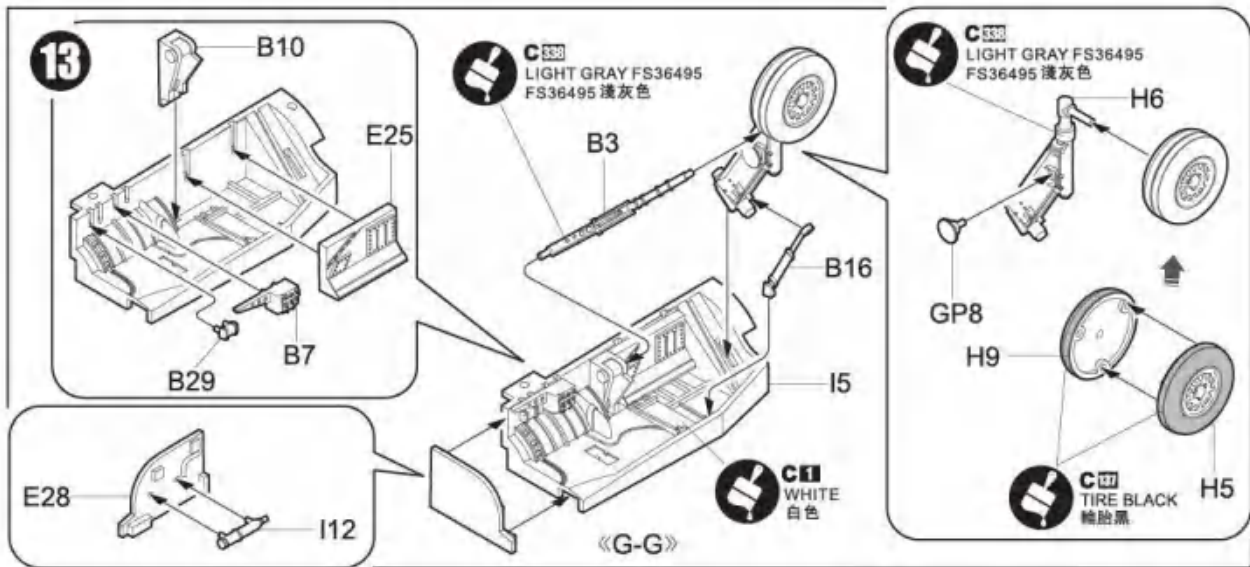
9



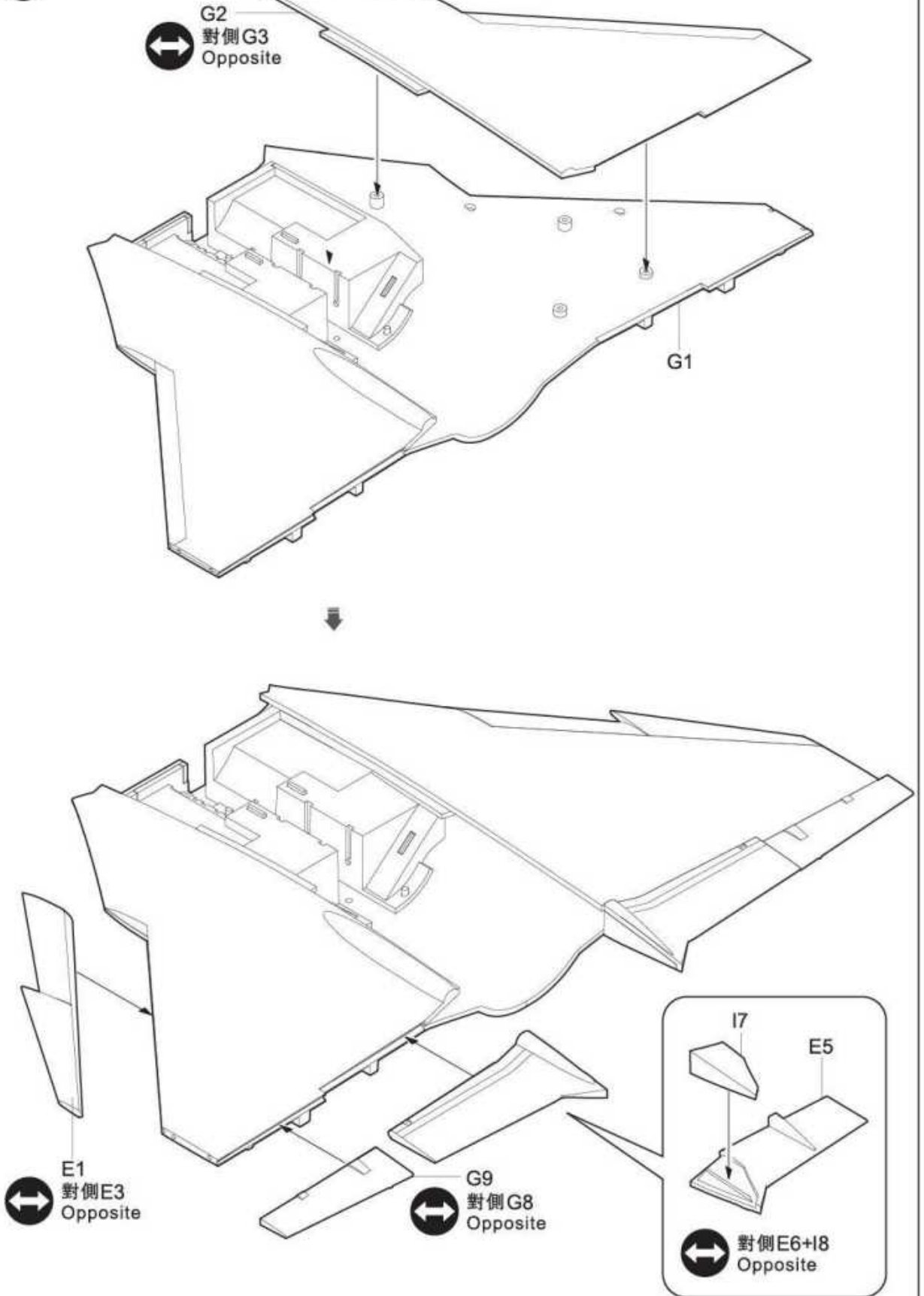
10

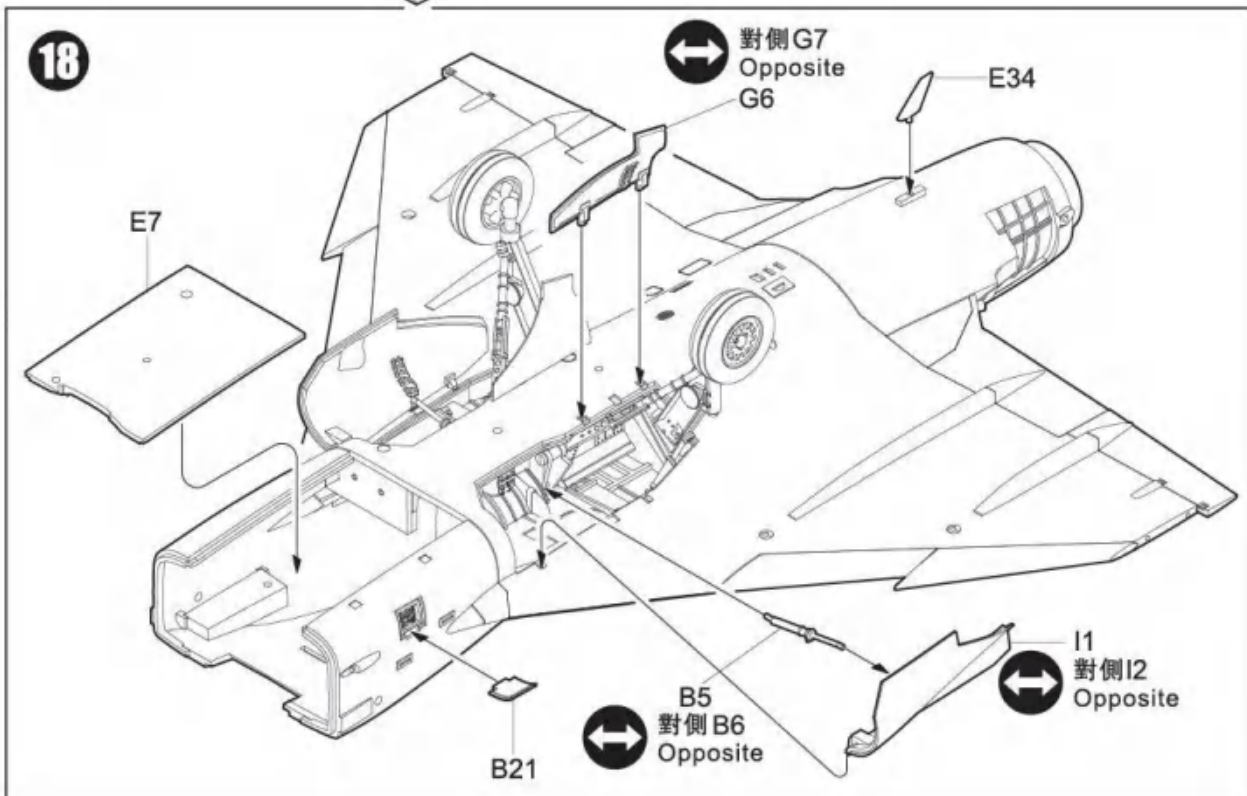
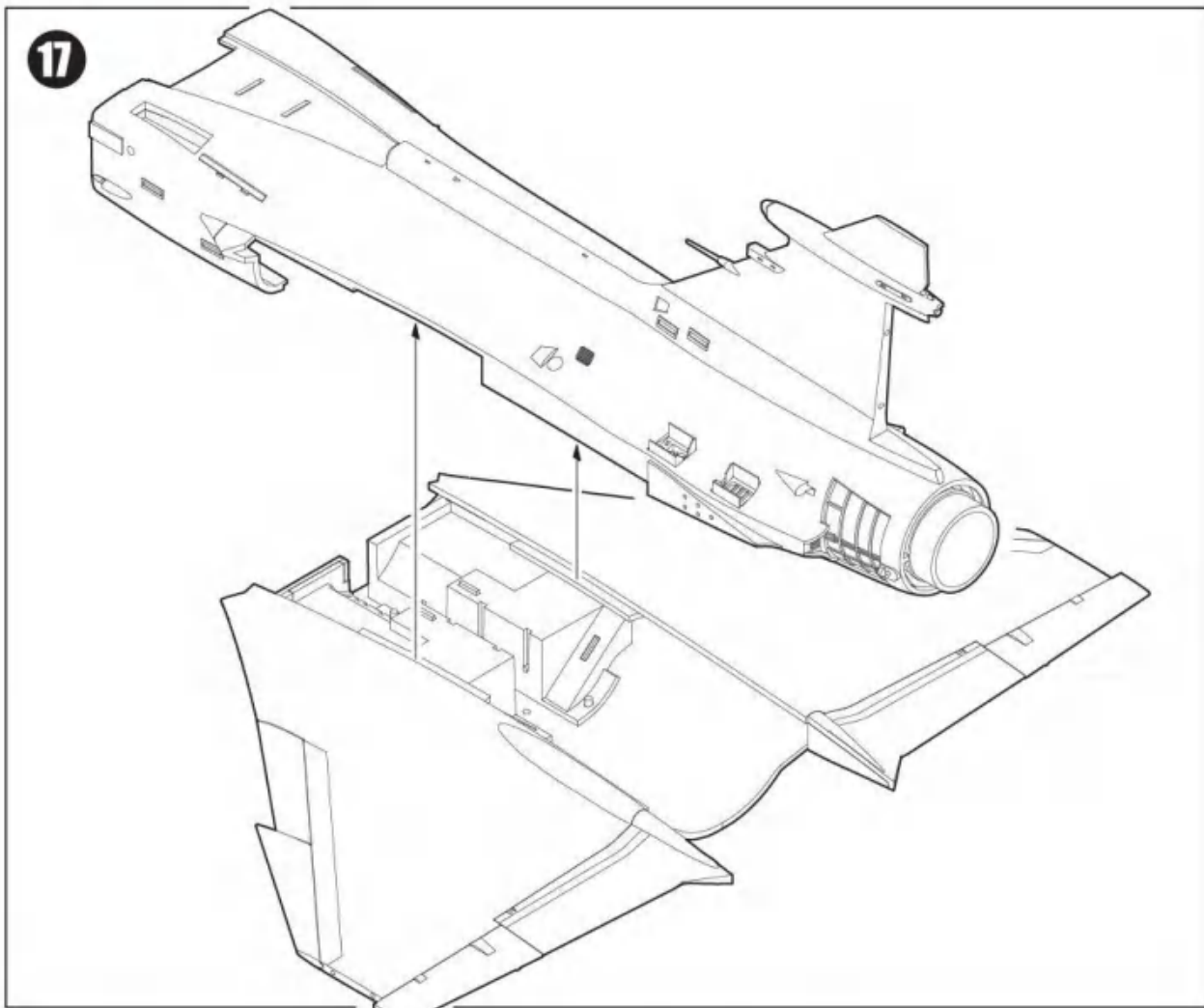


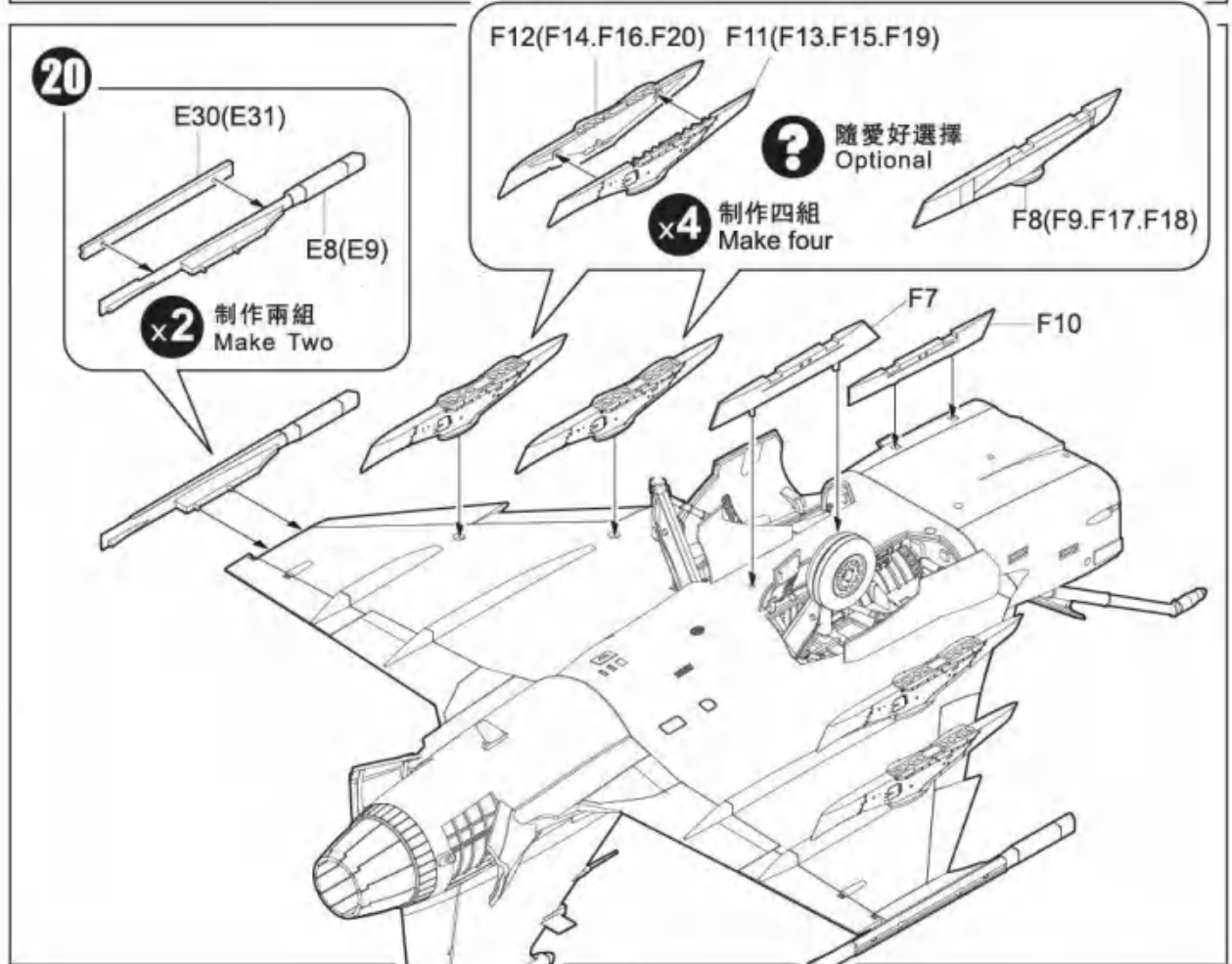
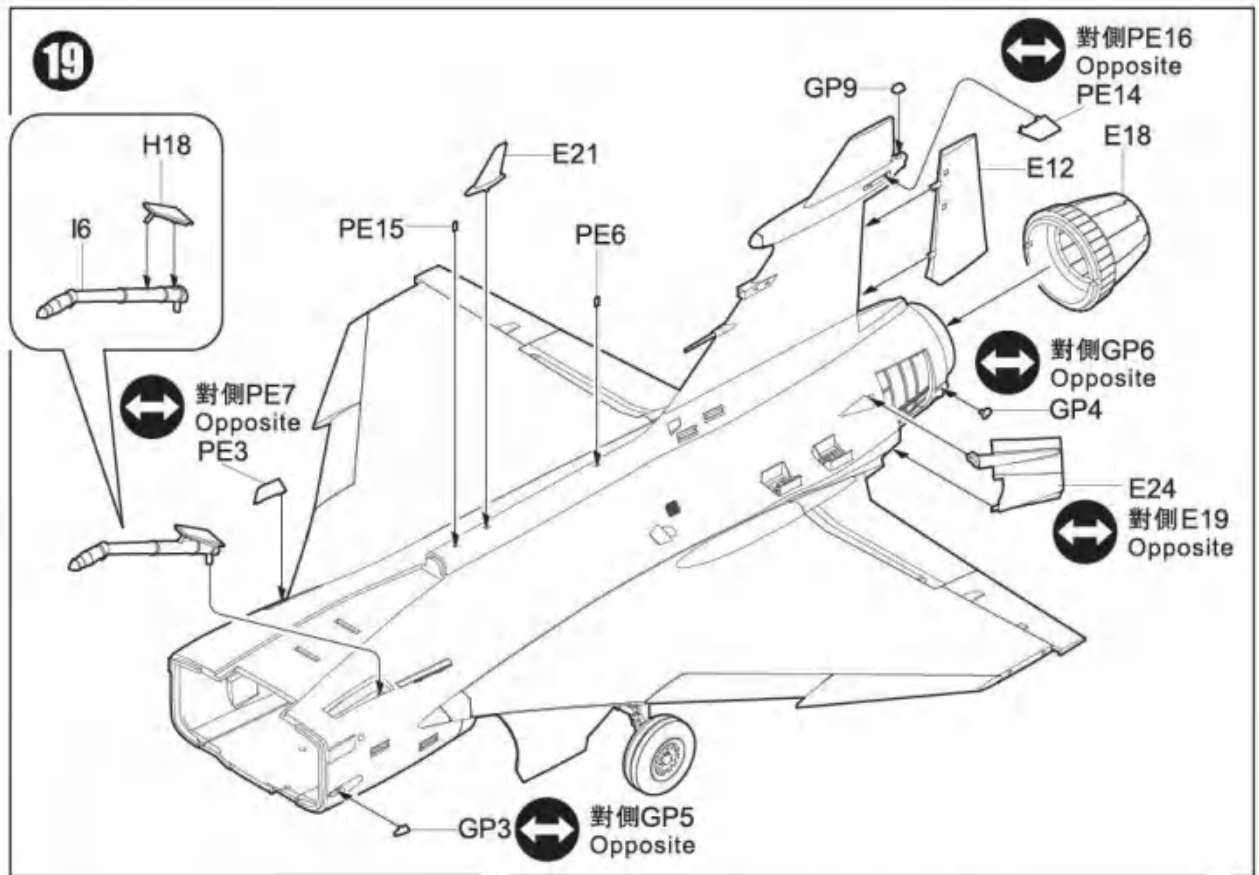




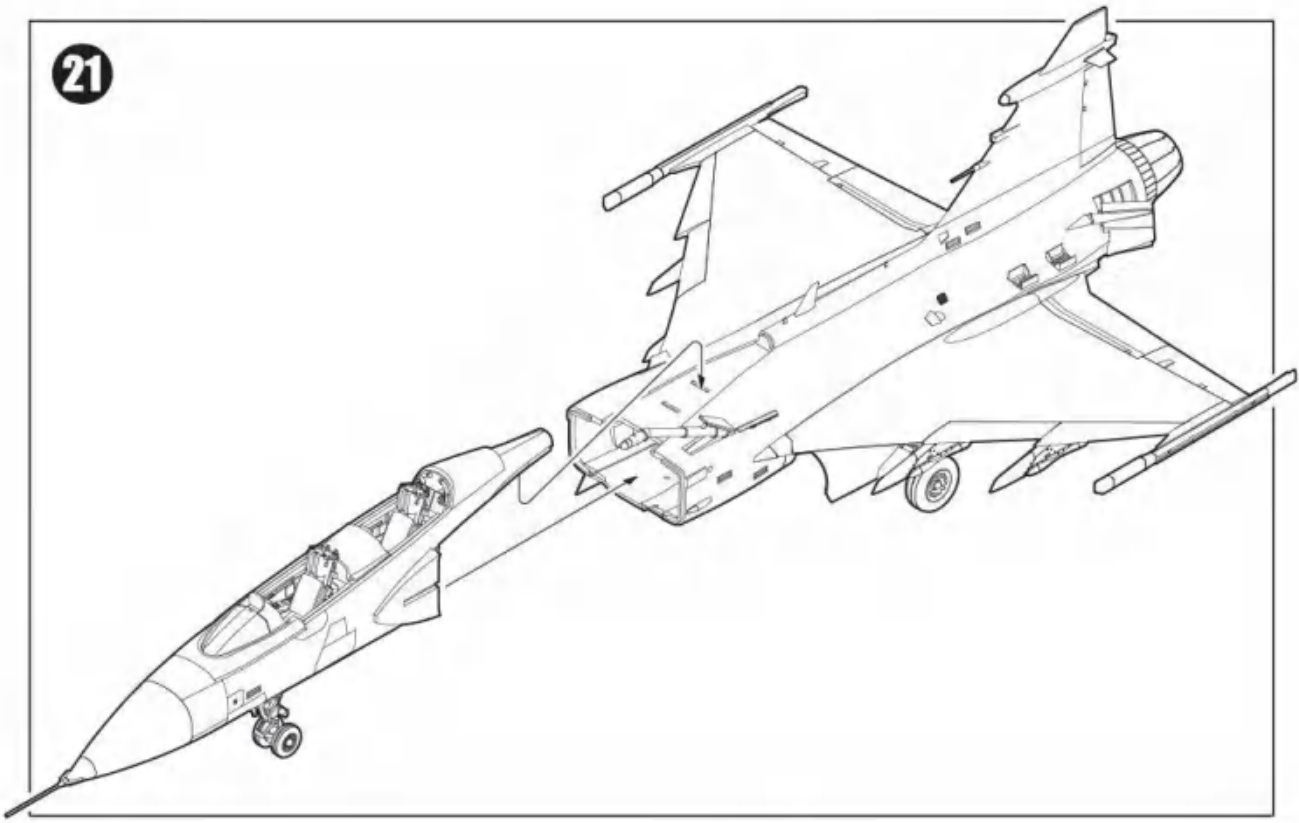
16



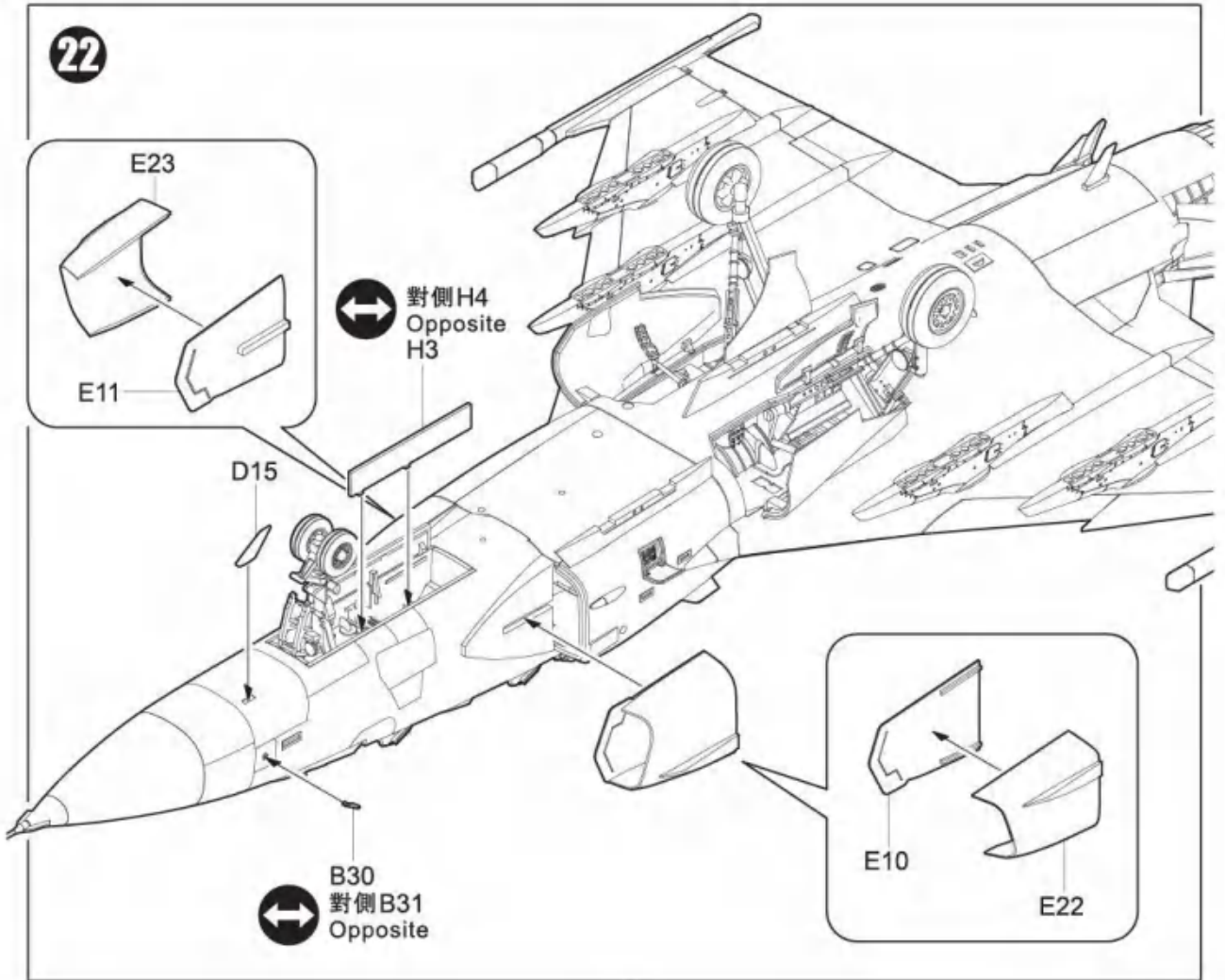




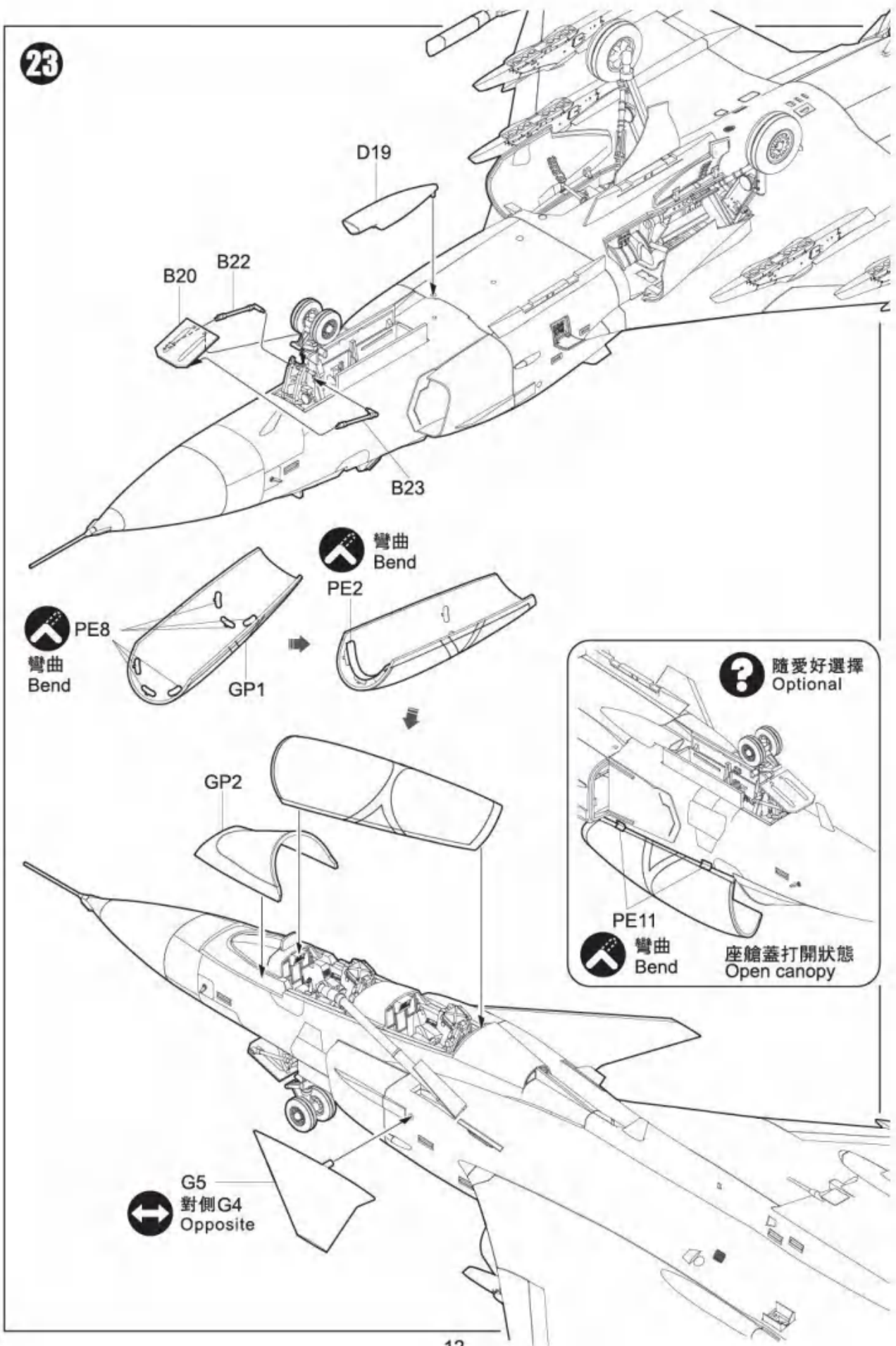
21

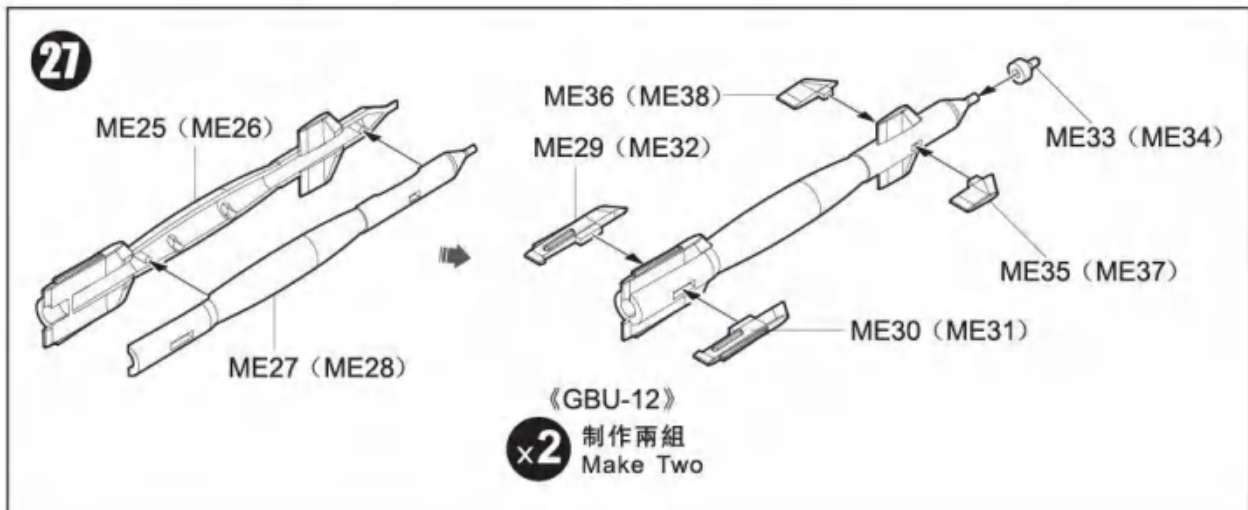
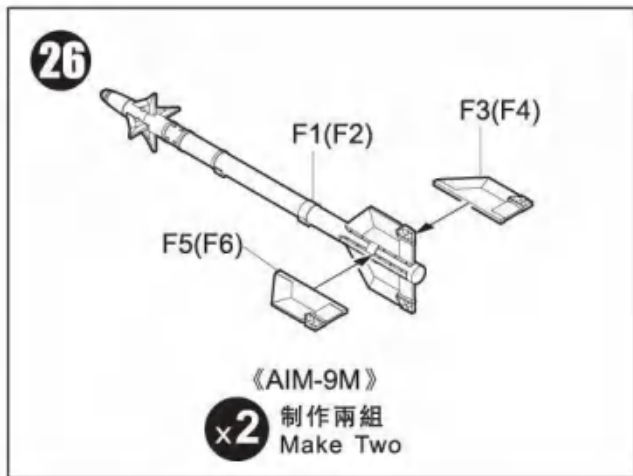
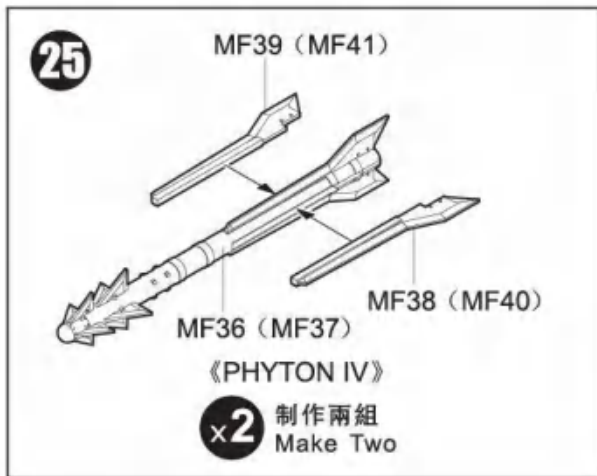
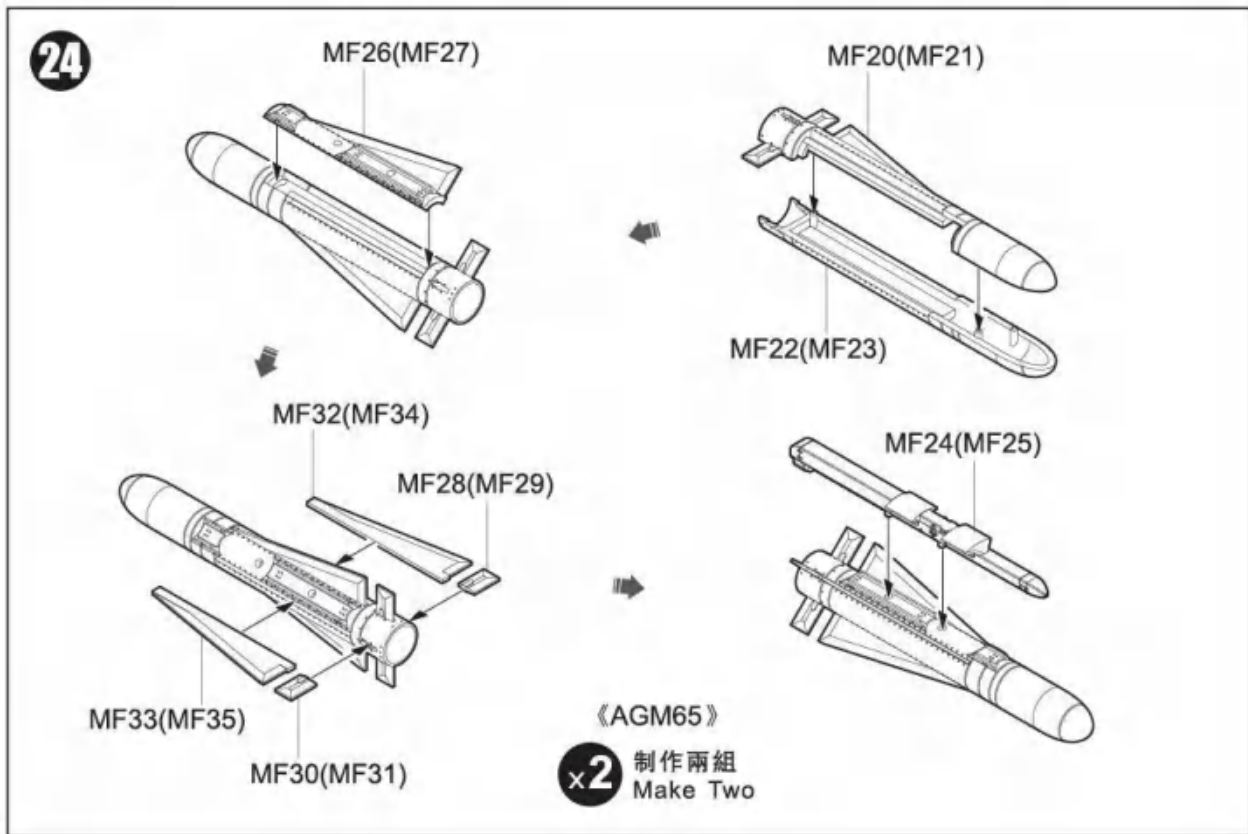


22

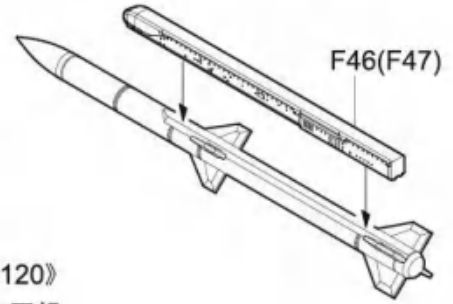
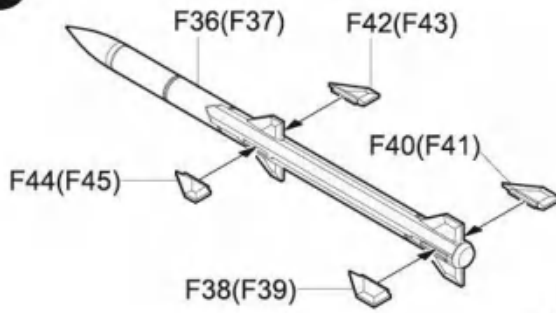


23





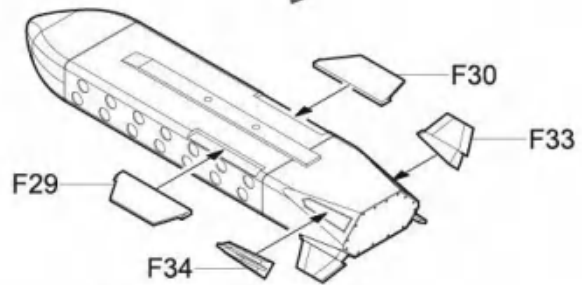
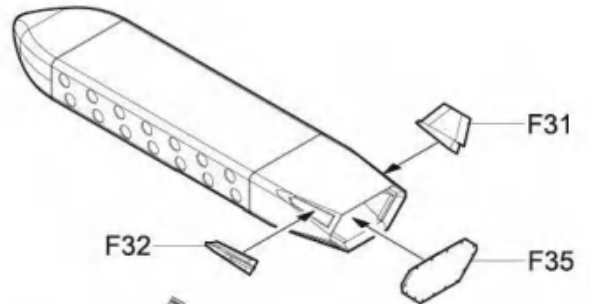
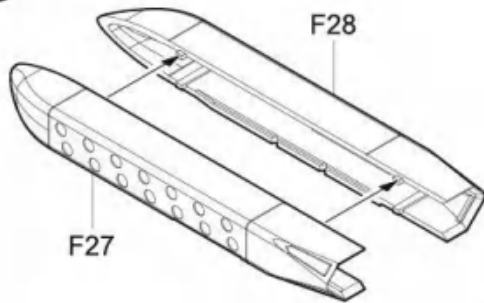
28



《AIM-120》

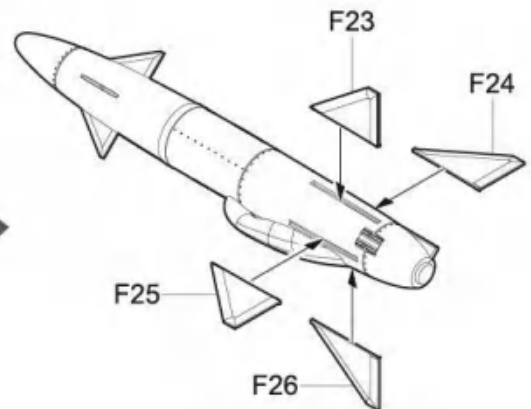
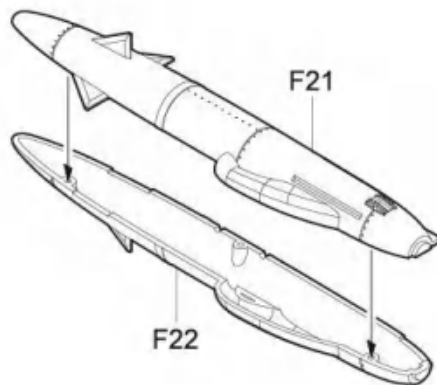
x2 制作兩組
Make Two

29



《DWS-39》

30

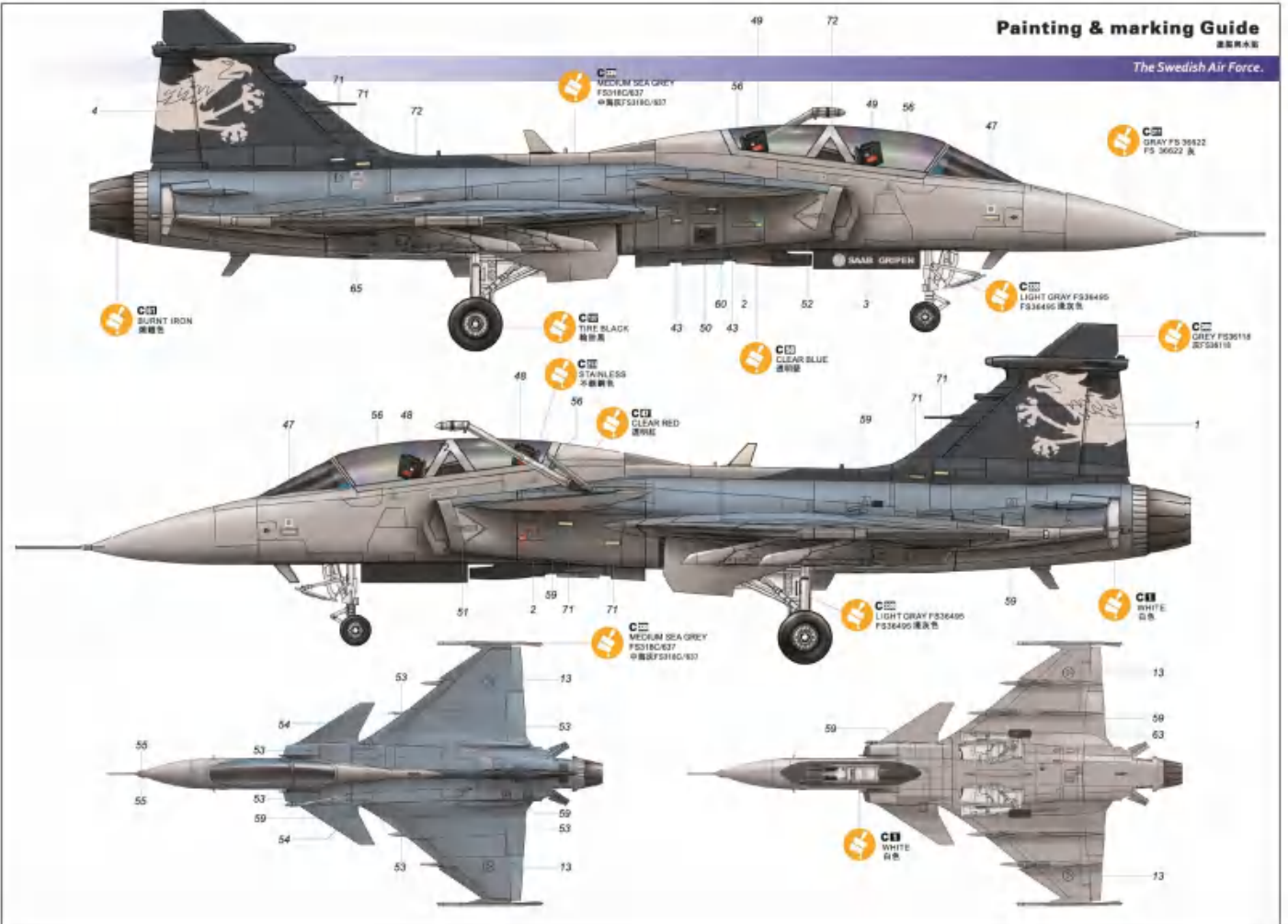


《RB15S》

Painting & marking Guide

涂装指南

The Swedish Air Force.



Painting & marking Guide

涂装指南

The South African Air Force, SAs1



Painting & marking Guide

涂装指南

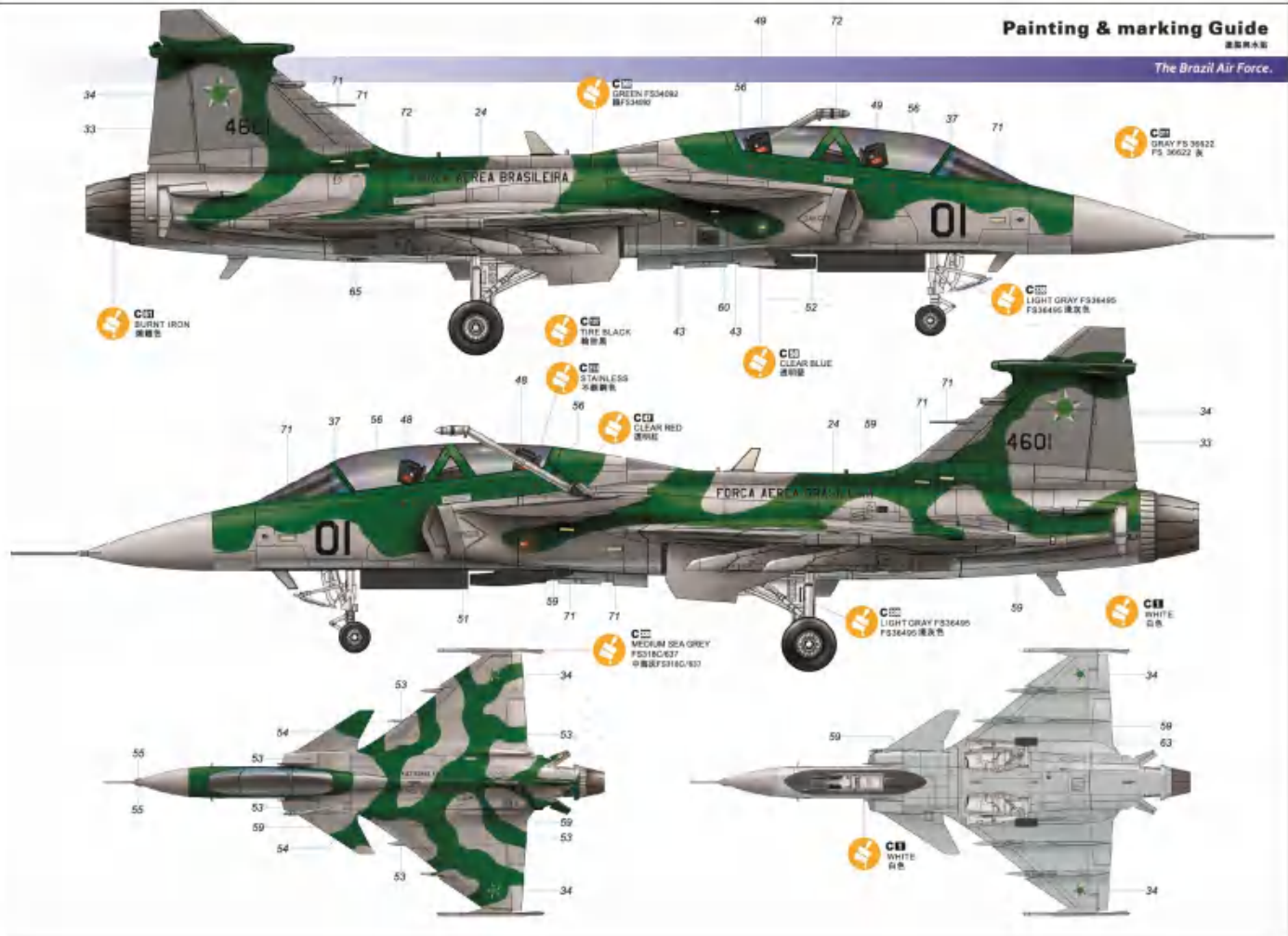
The Thailand air force.



Painting & marking Guide

涂装指南

The Brazil Air Force



Painting & marking Guide

涂装指南

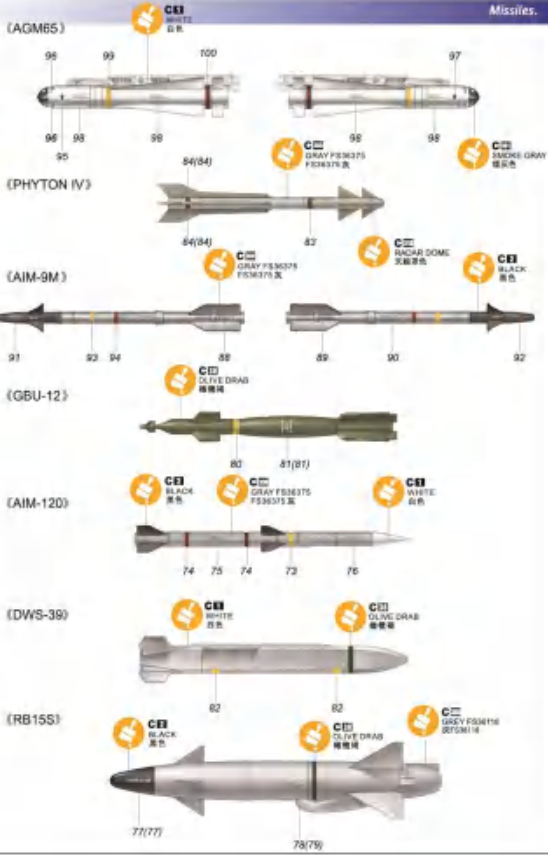
Royal Hungarian Air Force





Painting & marking Guide

导弹涂装



Czech air force.