

1:48



1:48

MiG-25 PD/PDS 狐蝠

MiG-25 PD/PDS

Foxbat



Instruction

ITEM NO. 80119

READ BEFORE ASSEMBLY

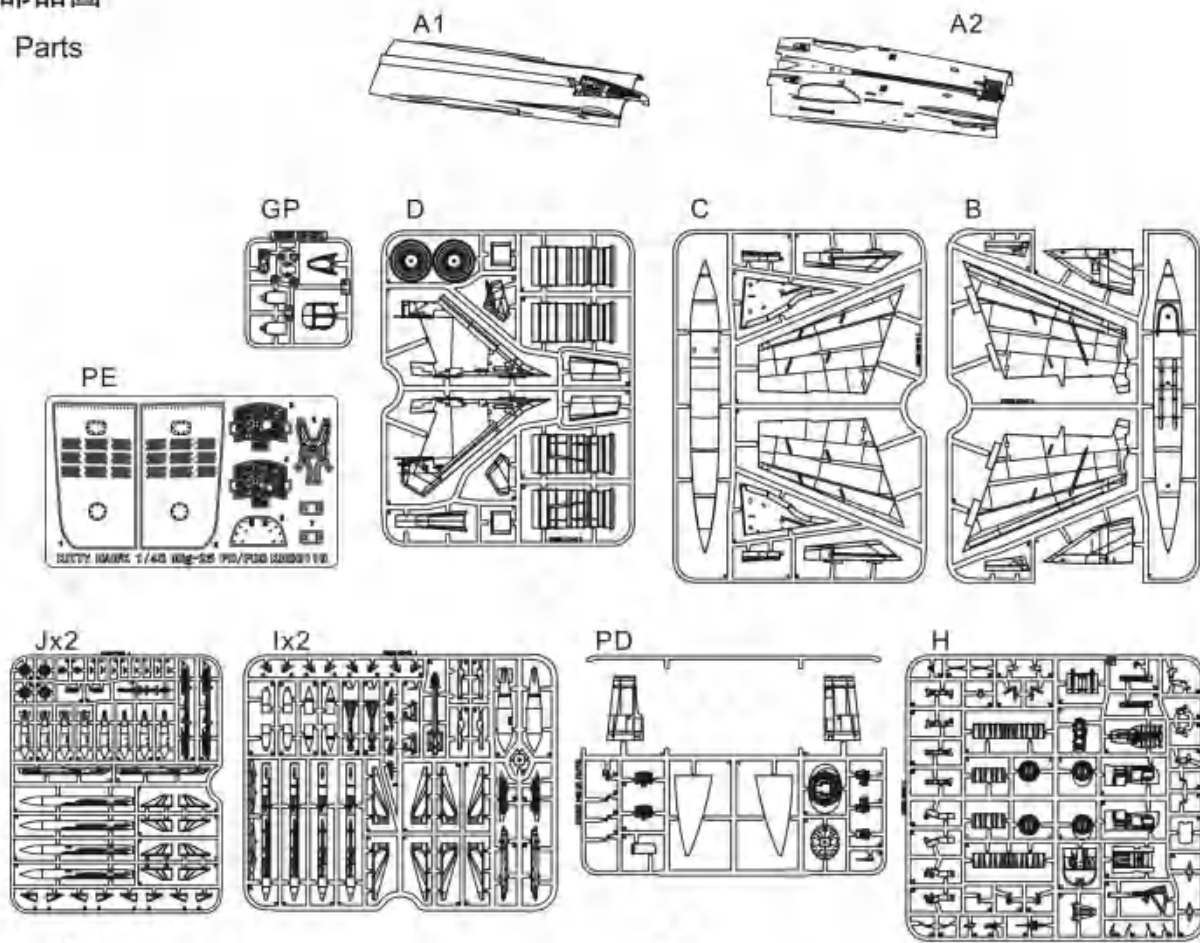
在組合您的模型之前，請充分閱讀本冊說明書。組合模型您需要如下物品（需另購）：模型膠水；一把模型鉗或一把用于將零件從框架上切下的模型筆刀。筆刀同樣可以用來修整零件的合模綫。祝您制作愉快！

Before assembling your model kit, read through these instructions carefully. To assemble this kit, you will need Plastic glue (not include). A pair of side cutter or a sharp modelling knife is required for removing parts from the frame. Plastic mould lines can be removed with the modelling knife.

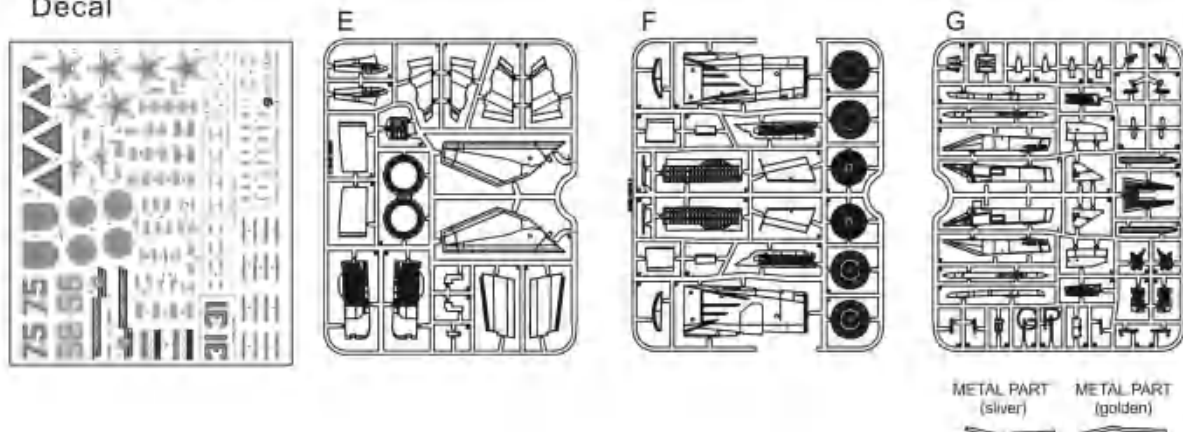
-  **請注意**
Special instructions
-  **隨愛好選擇**
Optional
-  **組合完成**
Finished Assembly
-  **制作兩組**
Make Two
-  **配重**
Weight
-  **塗色**
Painting
-  **無需膠粘**
Do Not Cement
-  **對側**
Opposite

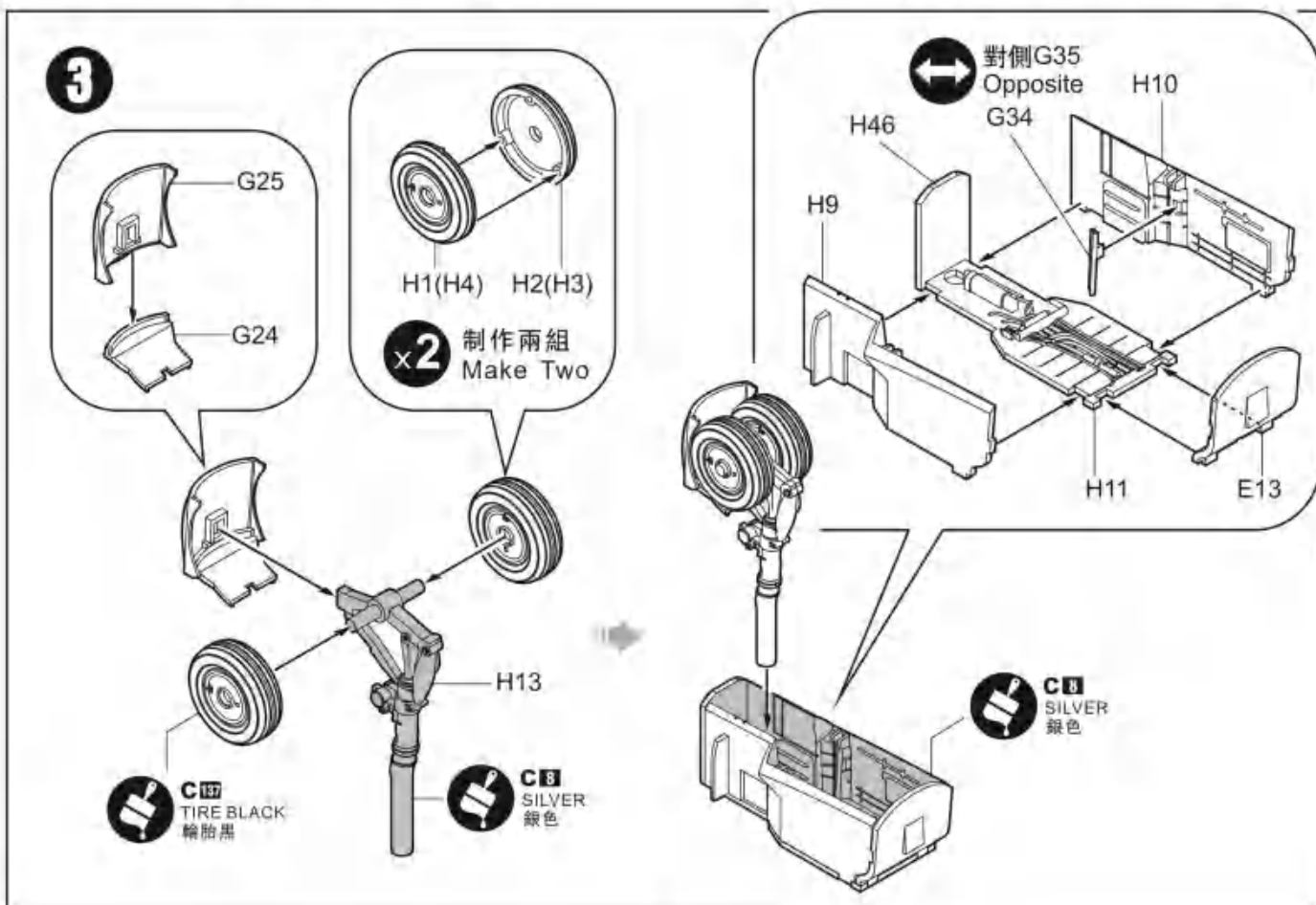
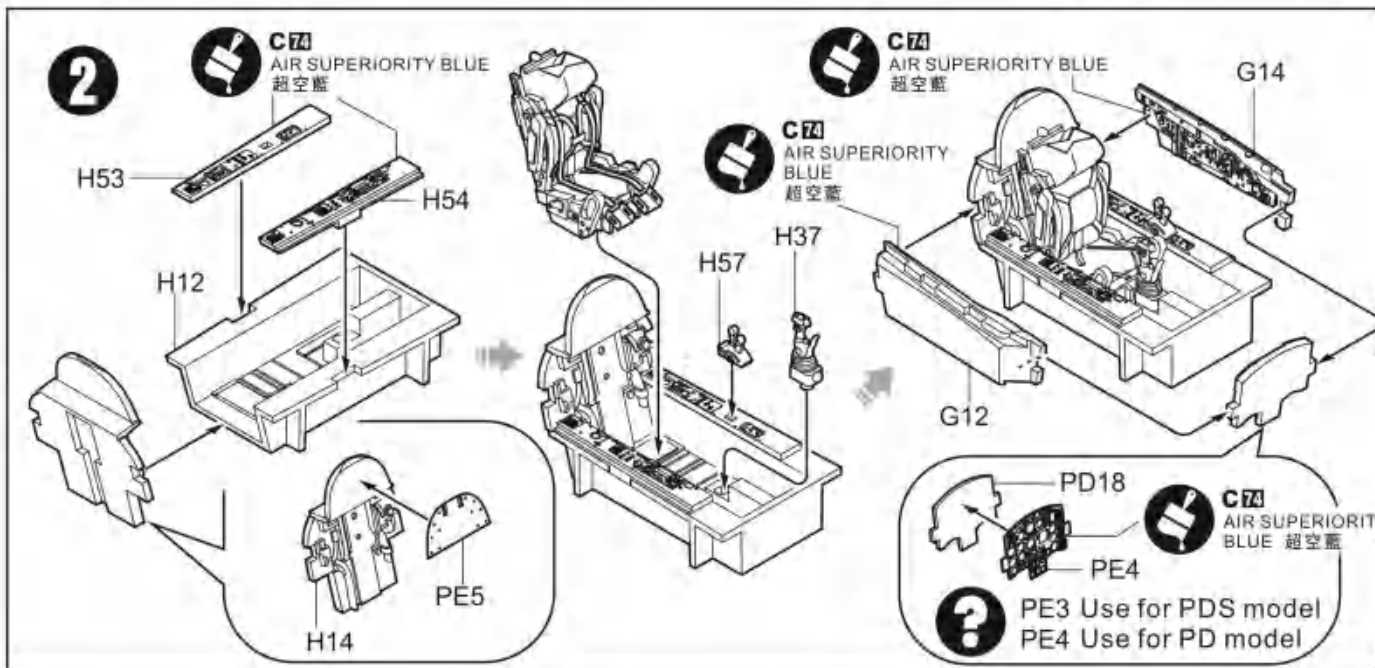
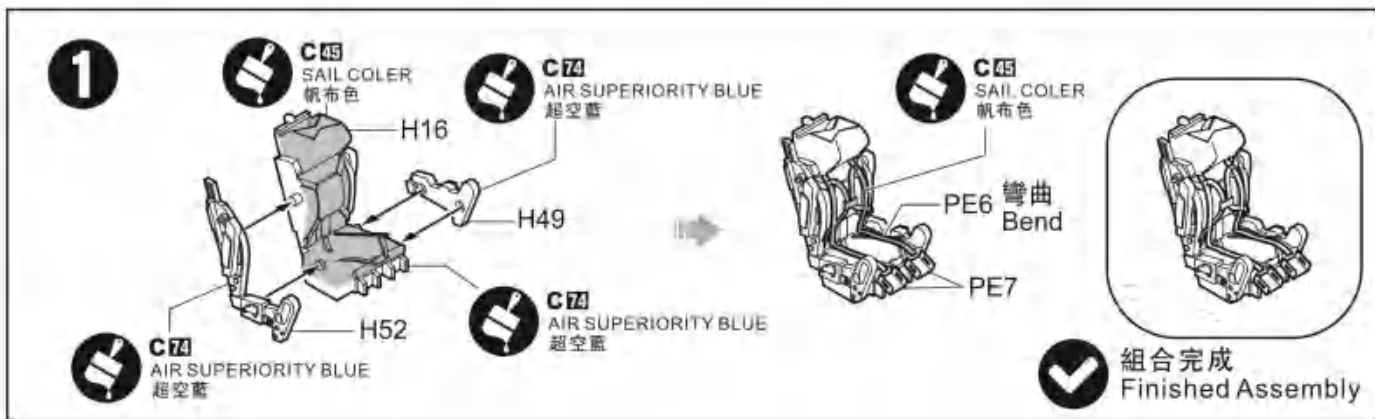
部品圖

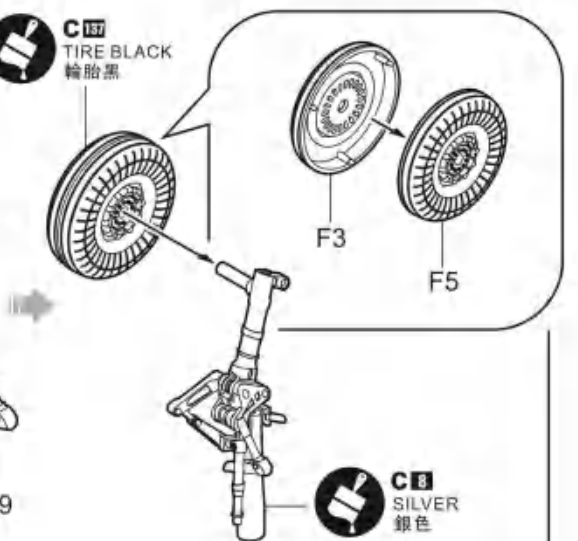
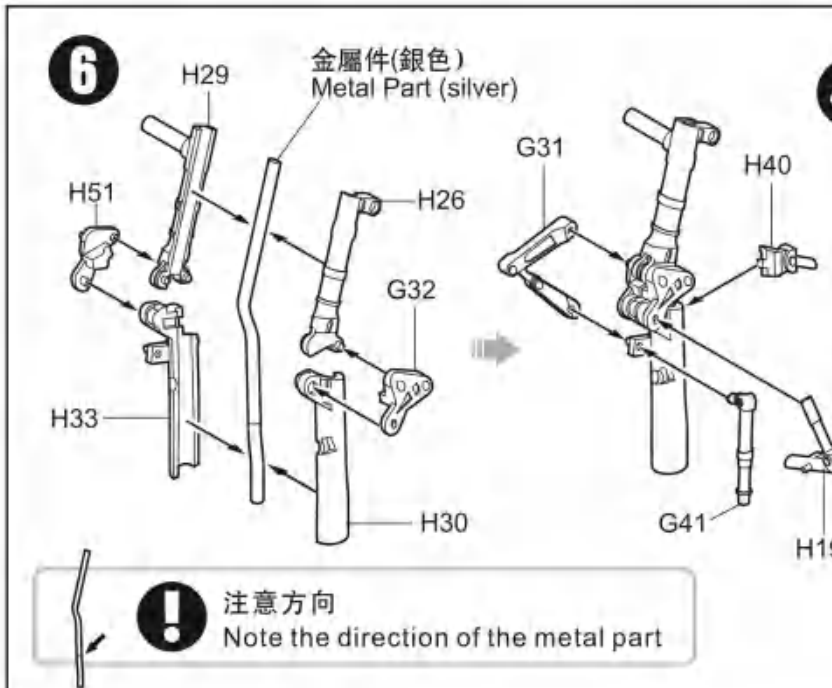
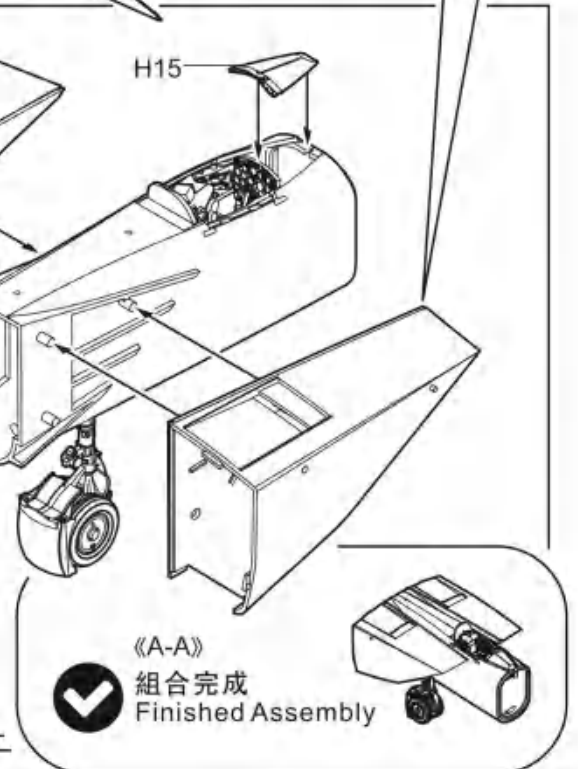
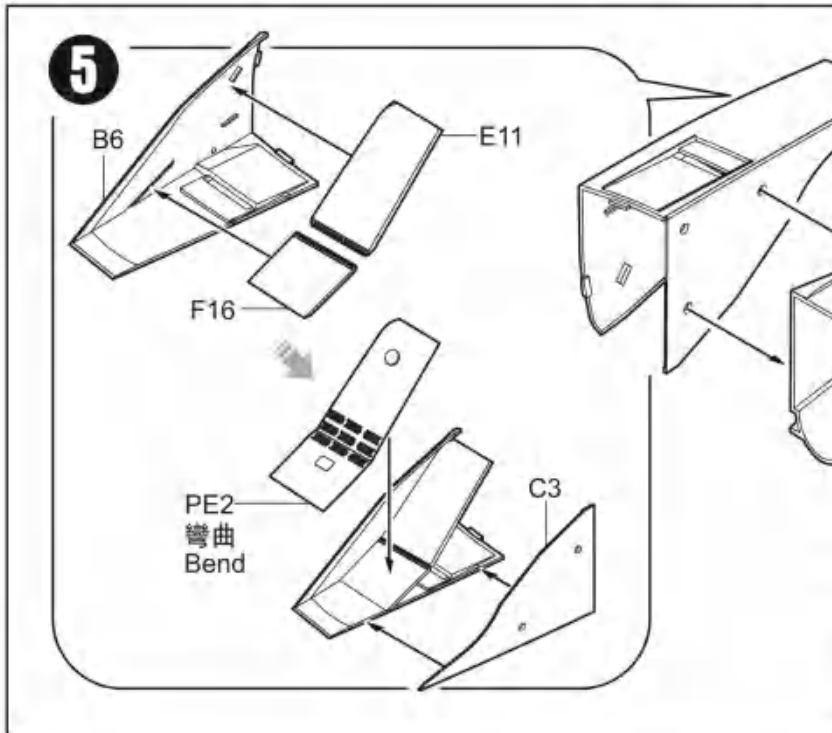
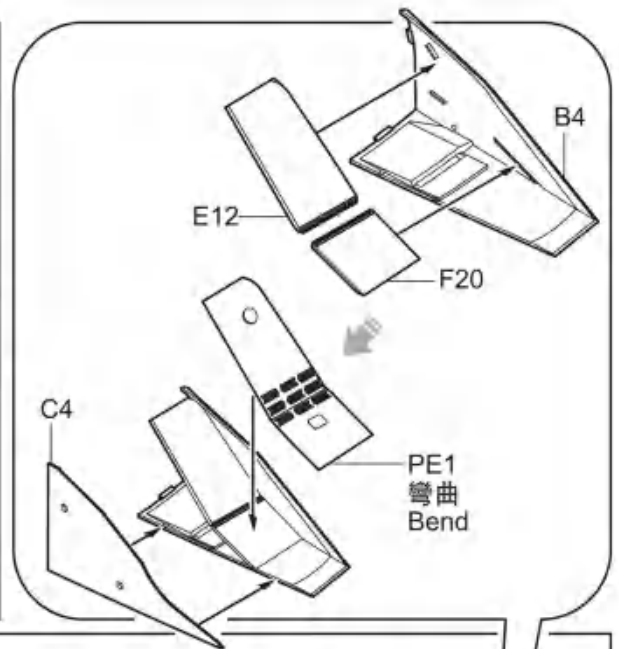
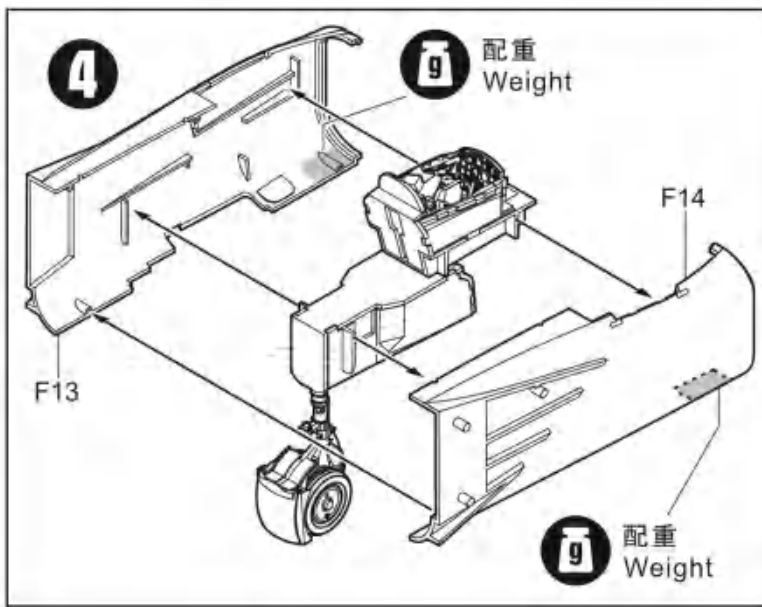
Parts



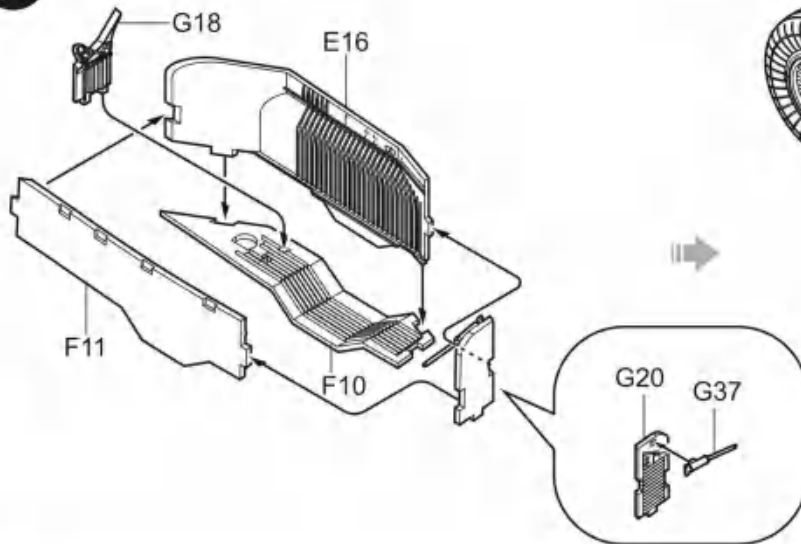
水貼
Decal



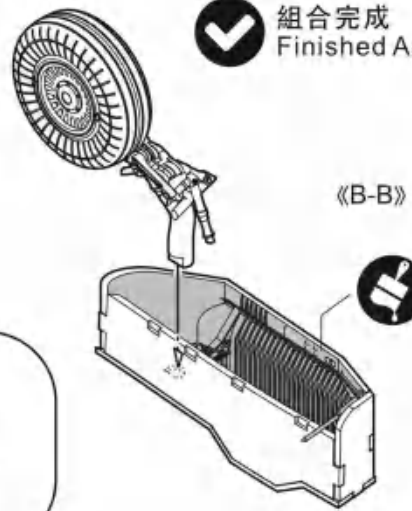




7

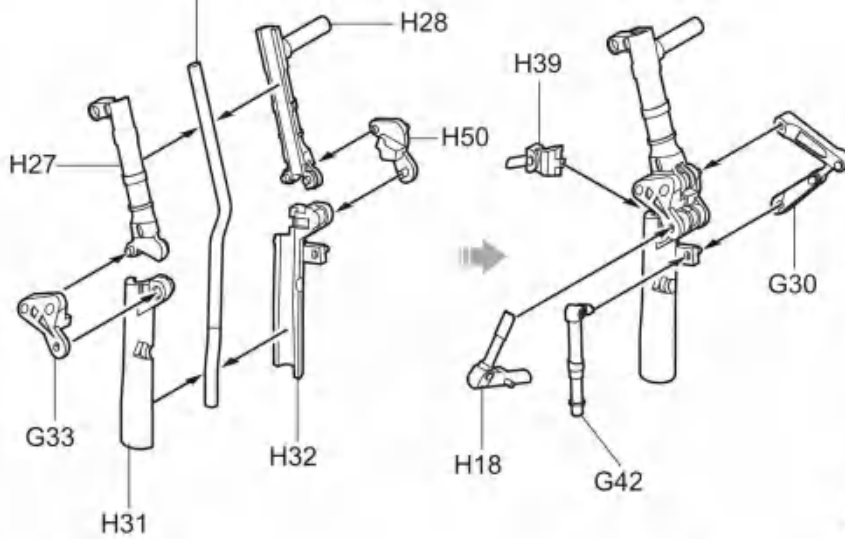


✓ 組合完成
Finished Assembly

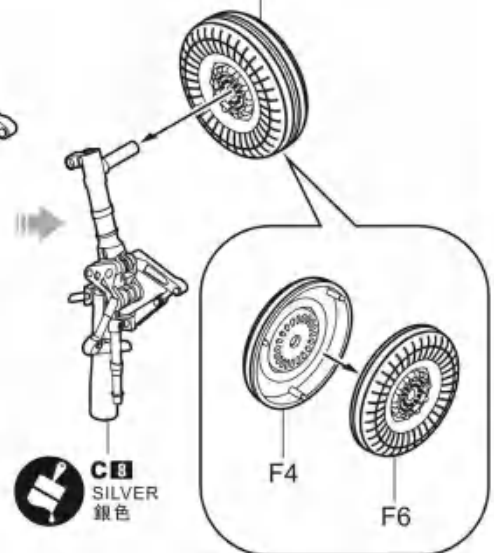


8

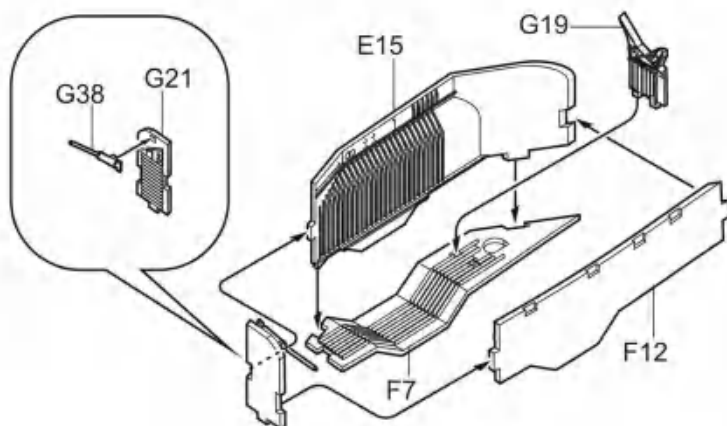
金屬件(金色)
Metal Part (golden)



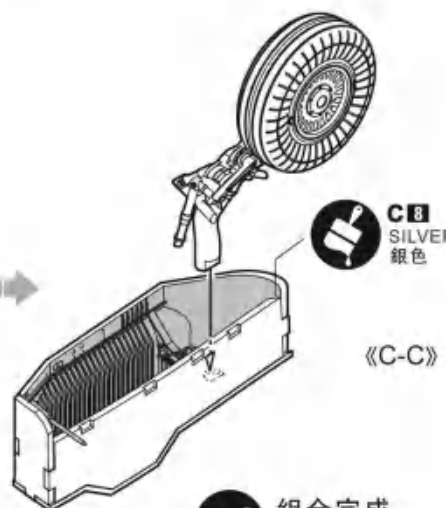
✗ C137
TIRE BLACK
輪胎黑



! 注意方向
Note the direction of the metal part

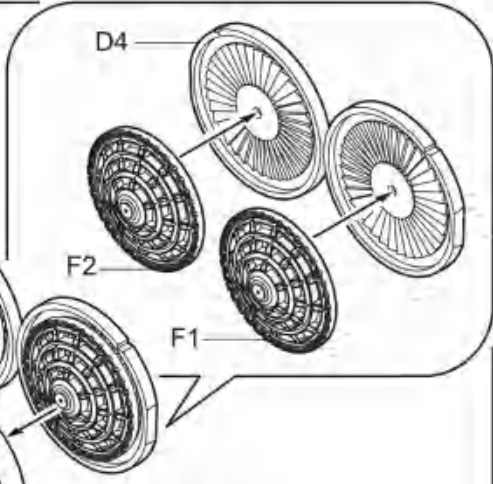
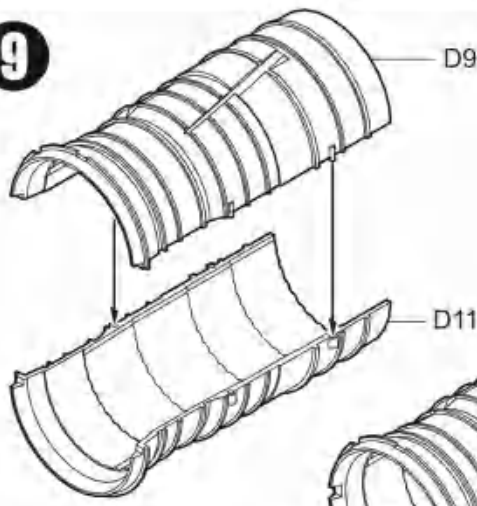


✗ C8
SILVER
銀色



✓ 組合完成
Finished Assembly

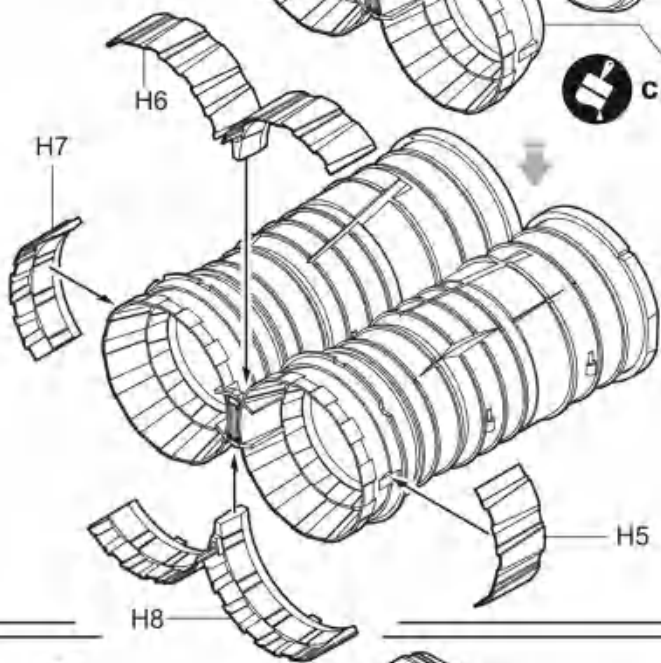
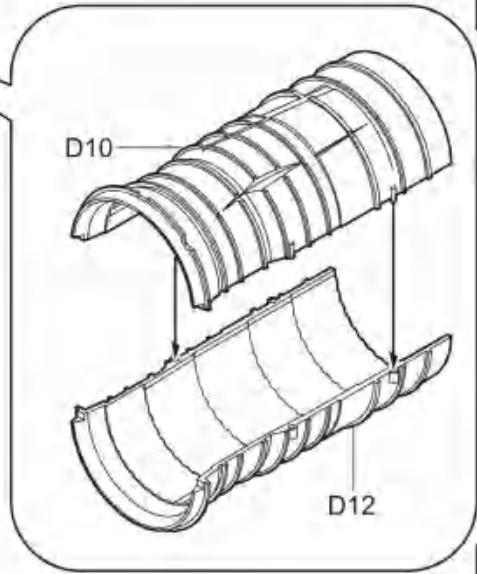
9



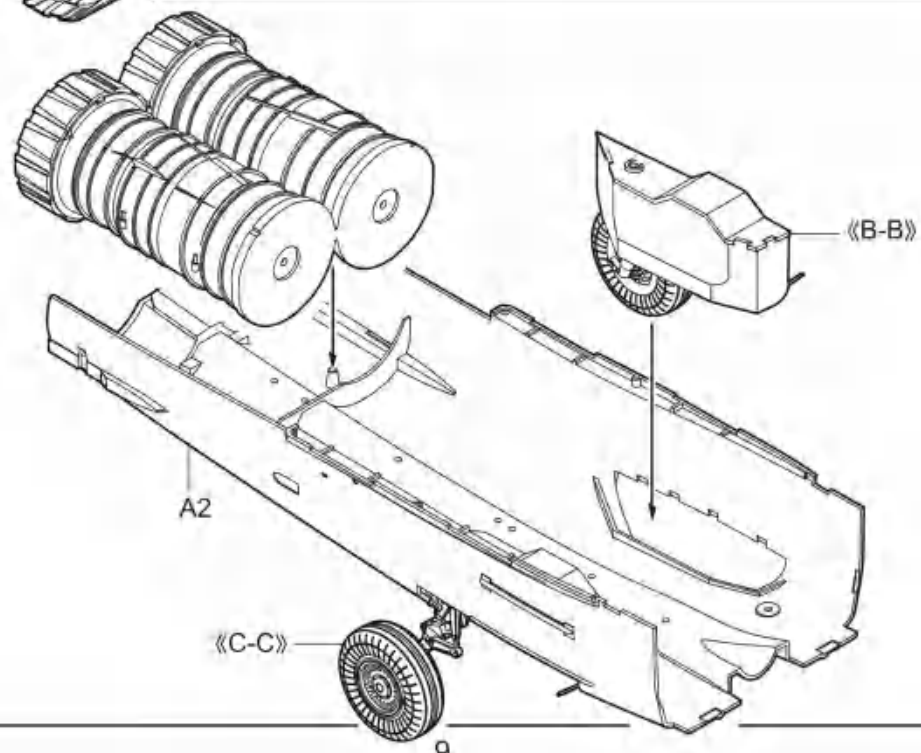
C81
BURNT IRON
燒鐵色

E14

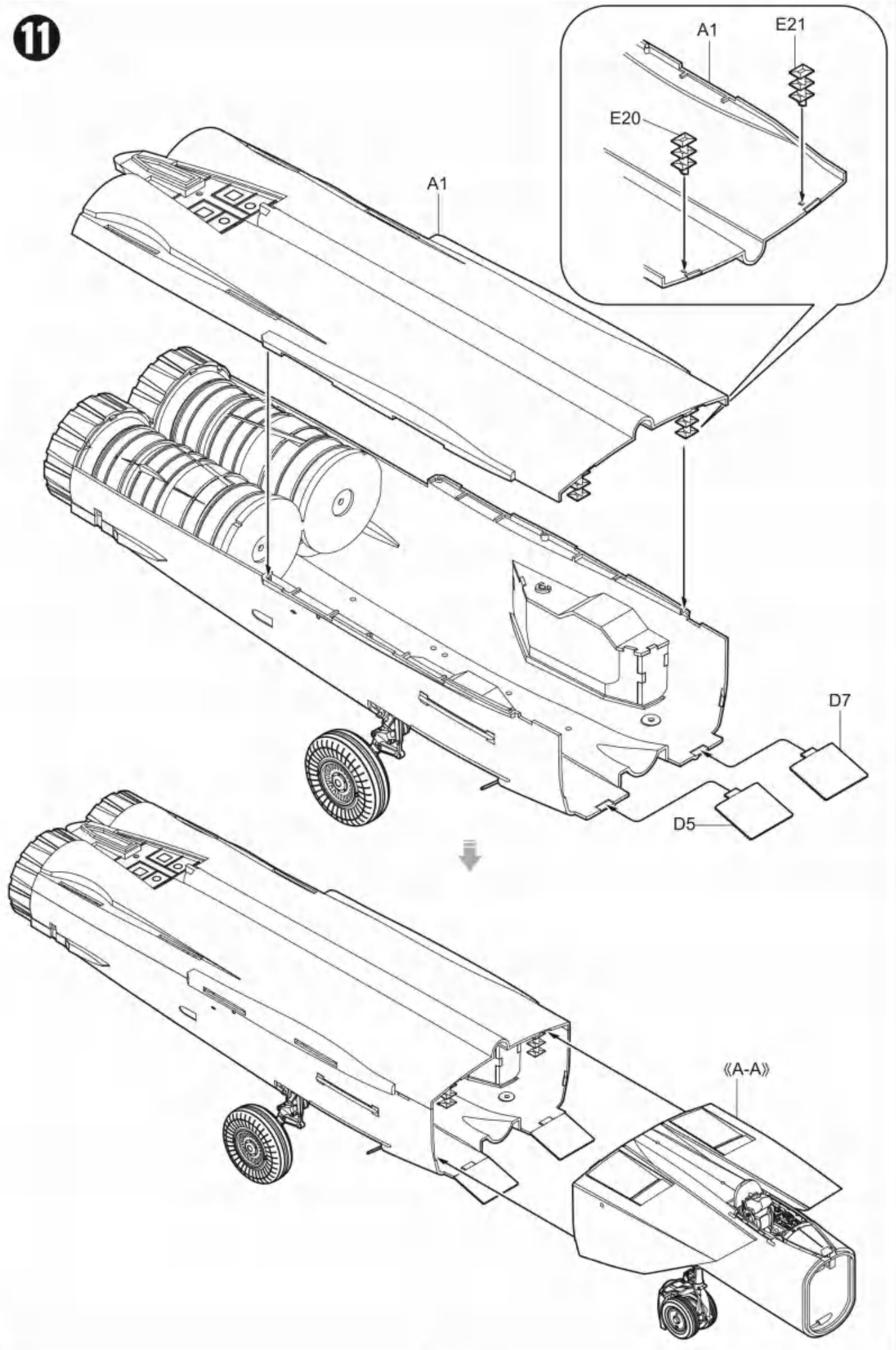
C82 RUSSIAN GREEN (2)
蘇軍綠(2)



10



11



12

對側 GP8
Opposite
GP7

C4
TIRE BLACK
輪胎黑
H25



H24

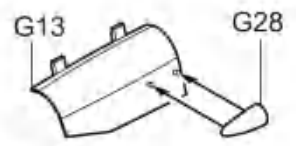
H17

C3
GOLDEN
金色

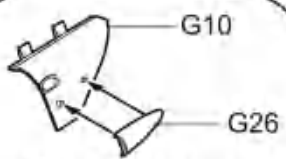
G16
對側 G17
Opposite

對側 H23
Opposite
H22

H20
對側 H21
Opposite



對側 G11+G29
Opposite



對側 G9+G27
Opposite

C5
對側 C7
Opposite

C8
SILVER
銀色

對側 H35
Opposite
H34

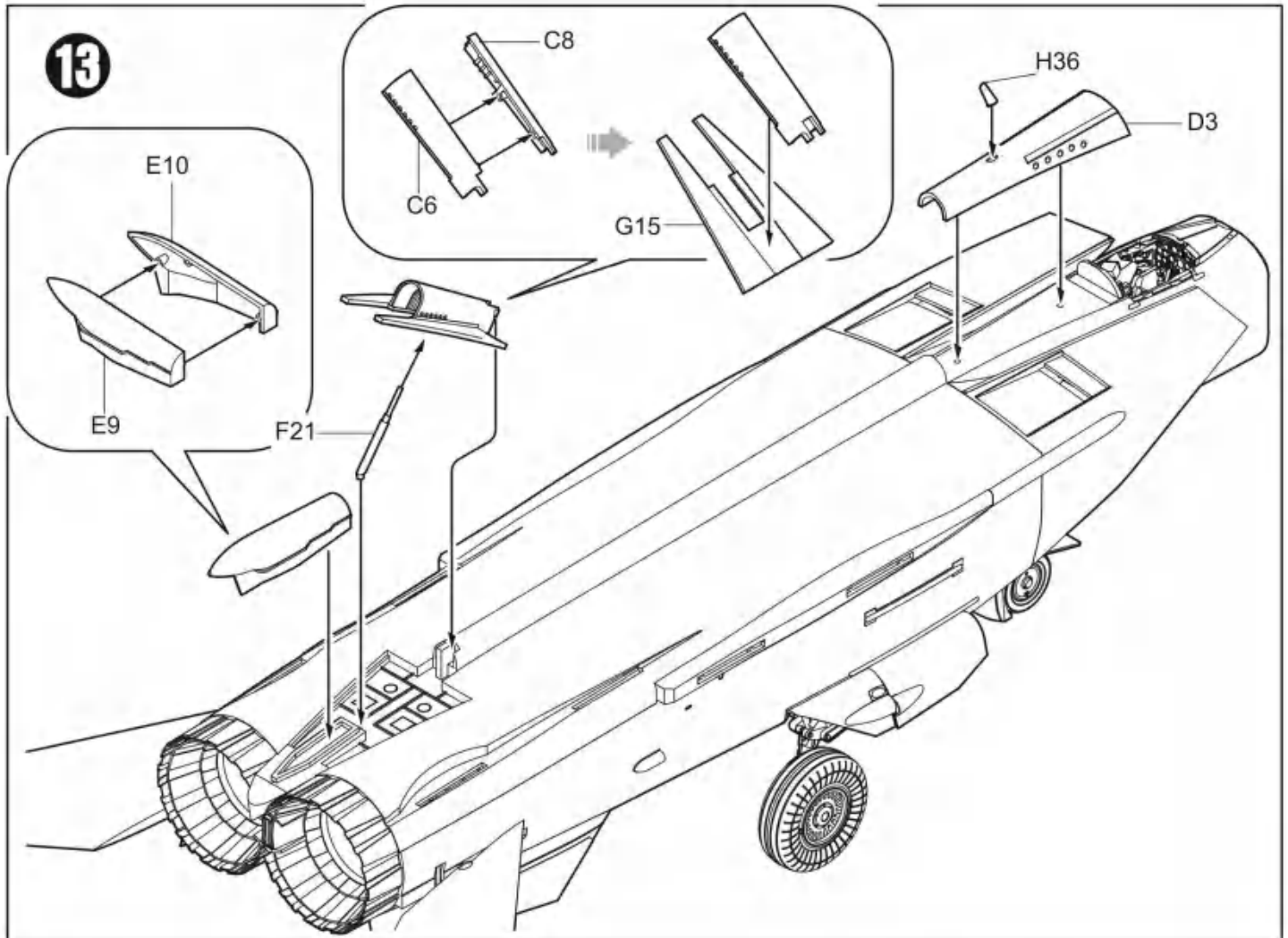
C8
SILVER
銀色

E18
對側 E17
Opposite

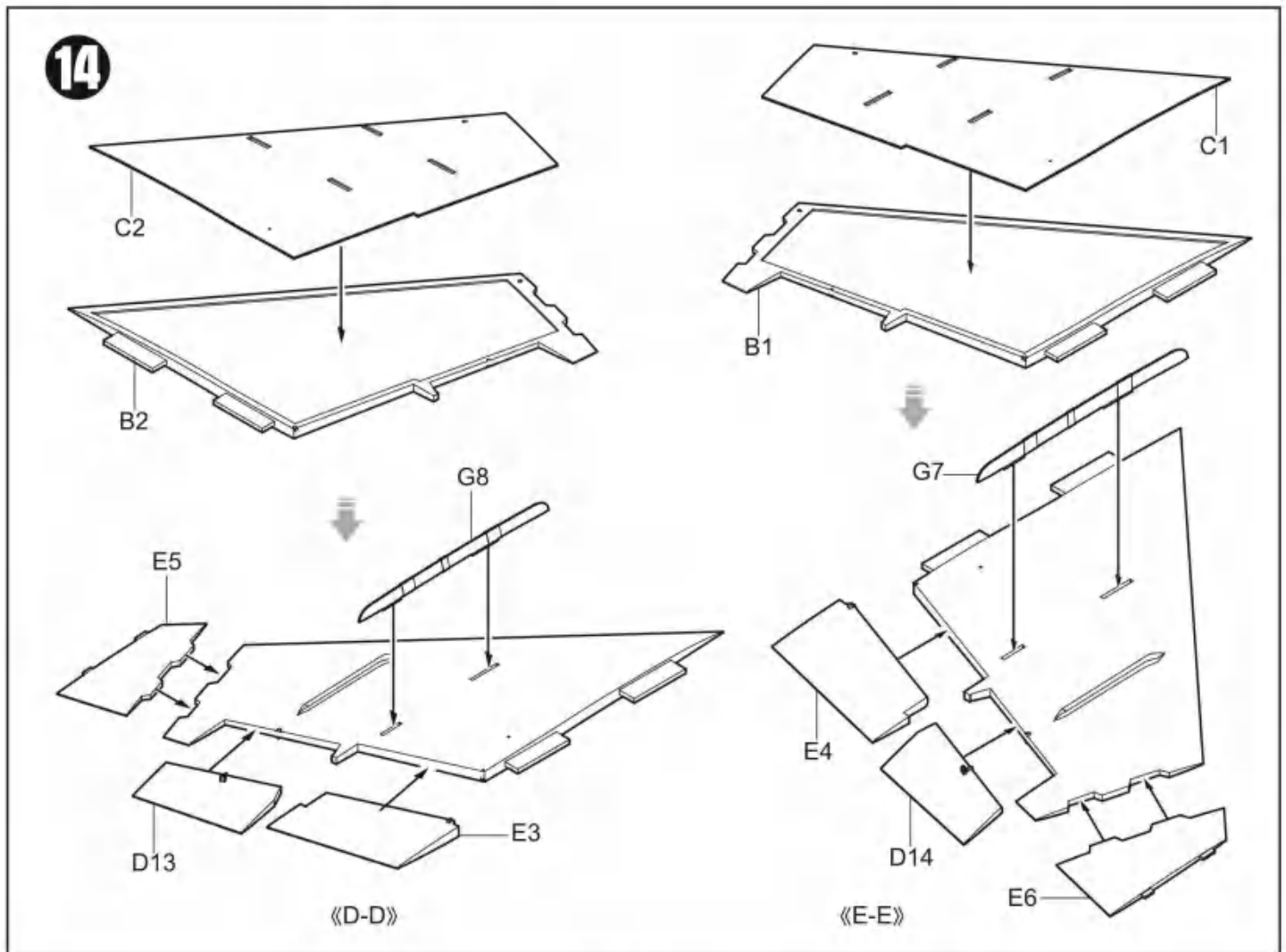
G39

E1
對側 E2
Opposite

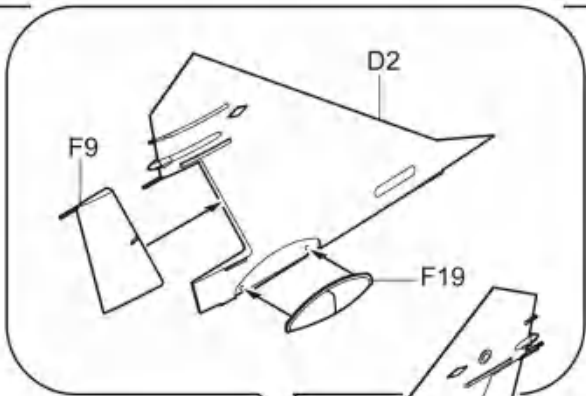
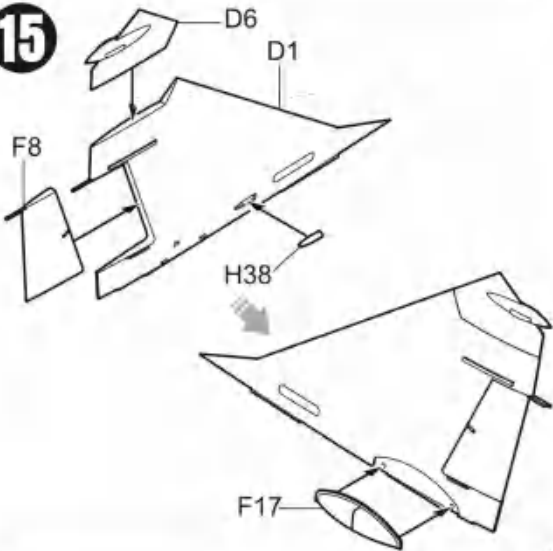
13



14

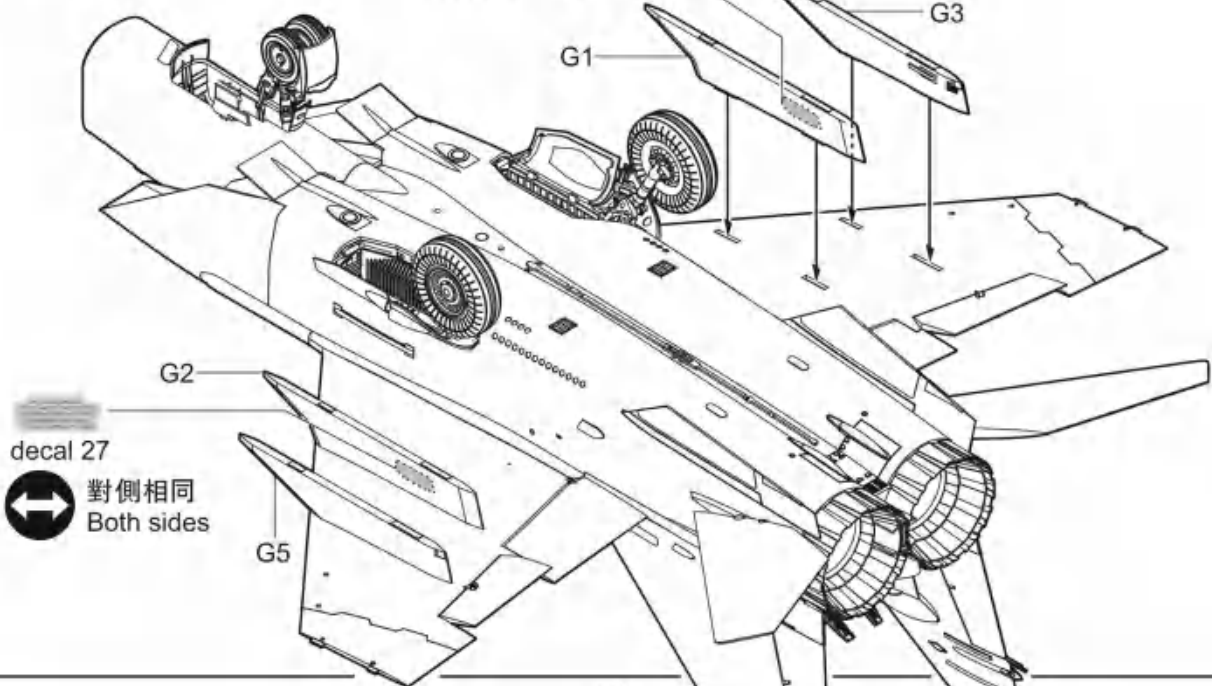


15

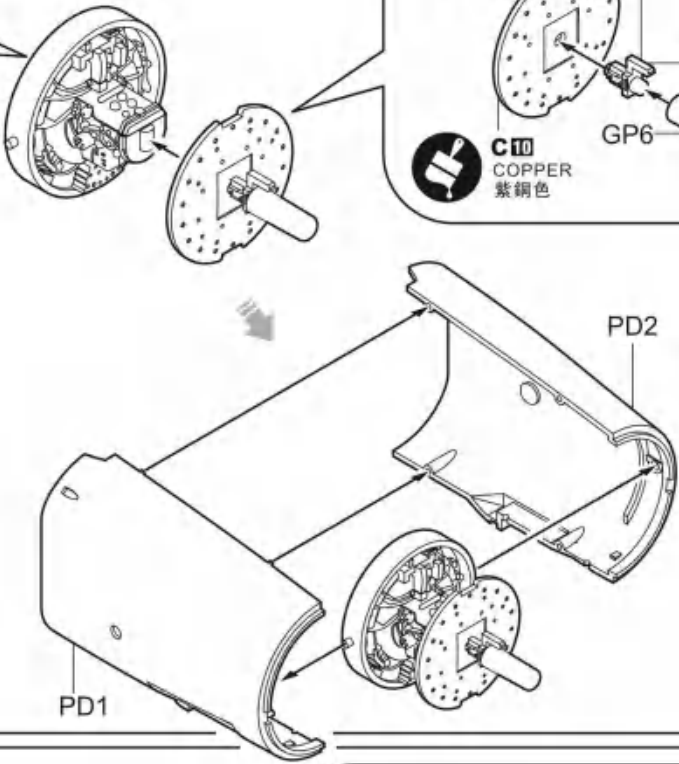
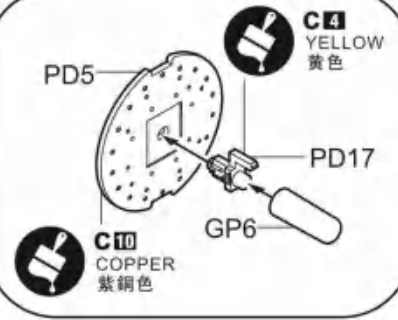
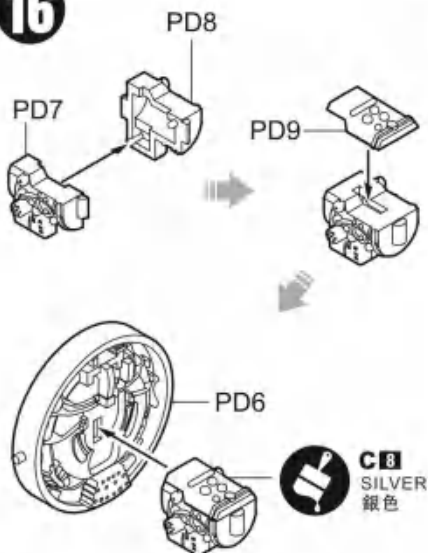


decal 27

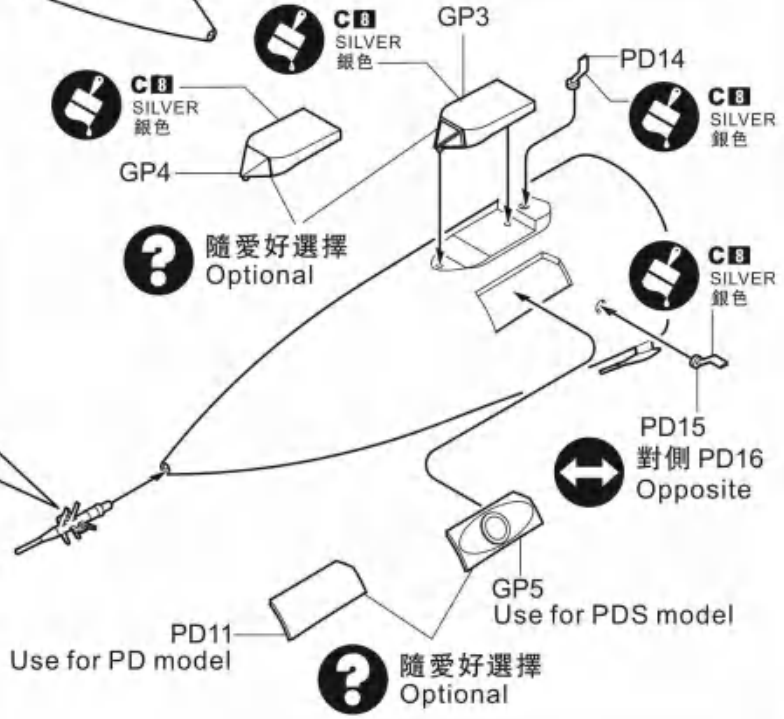
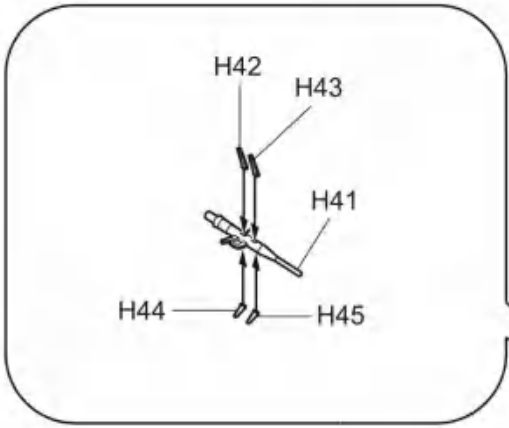
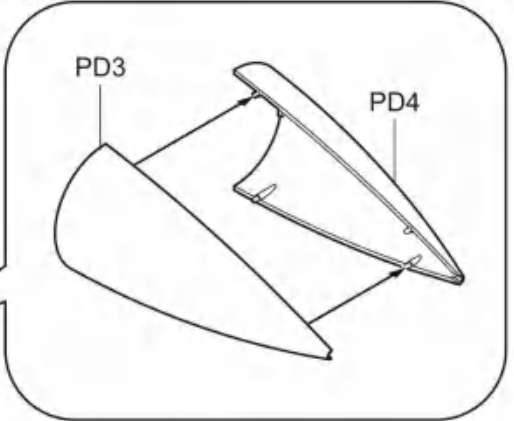
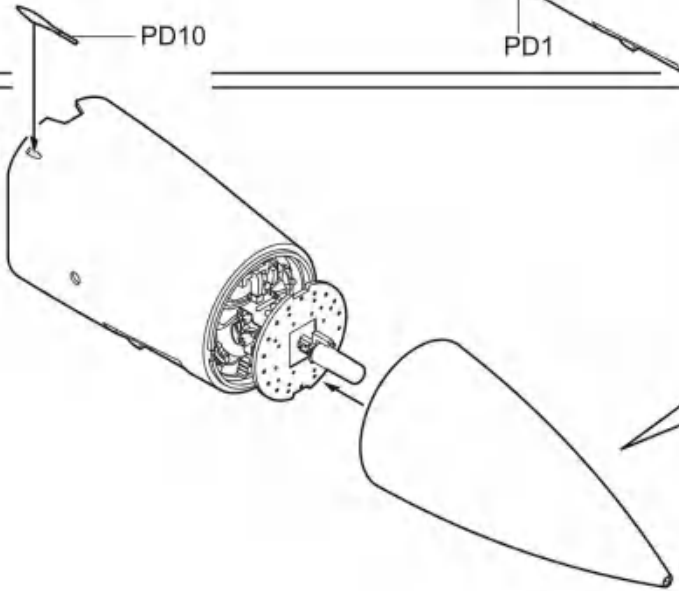
對側相同
Both sides



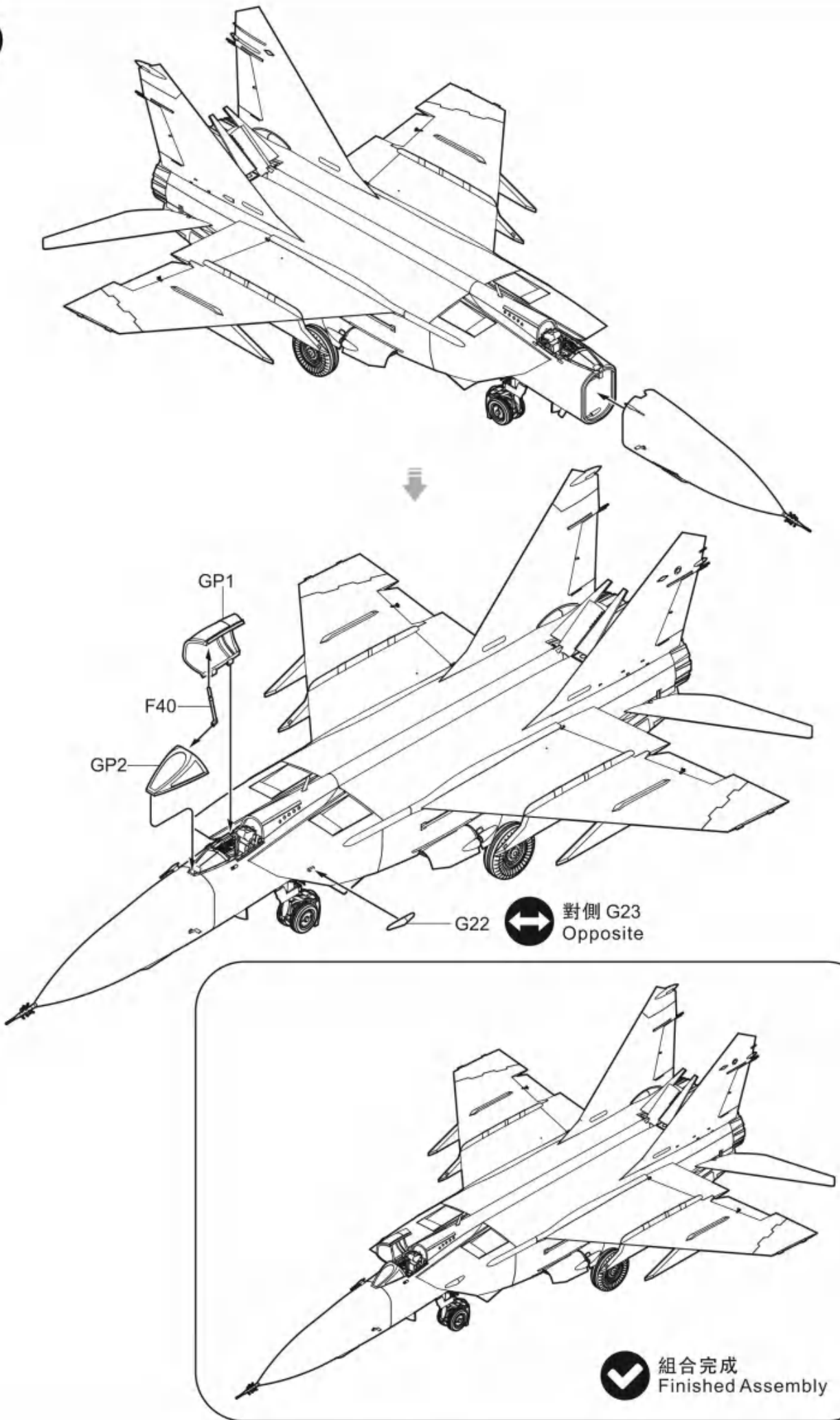
16

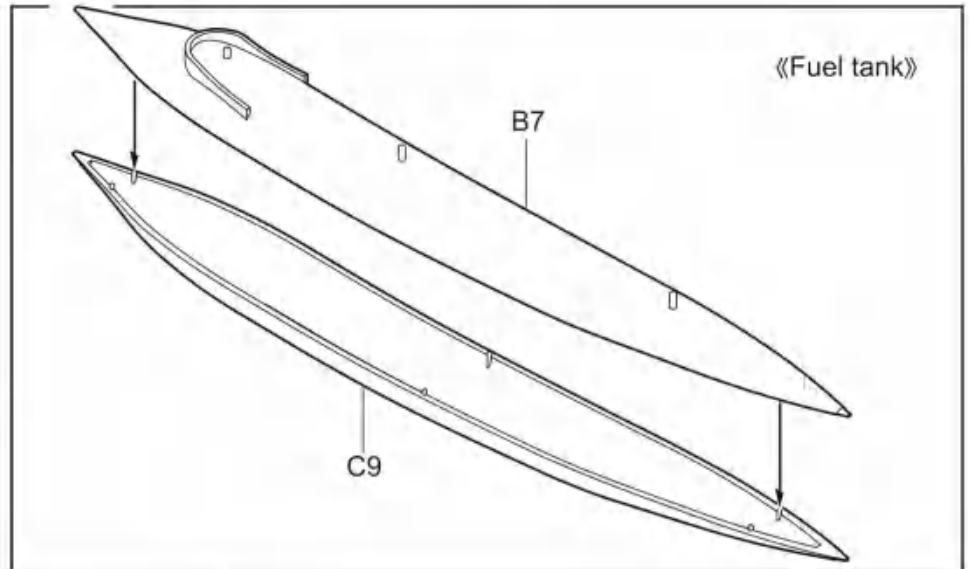
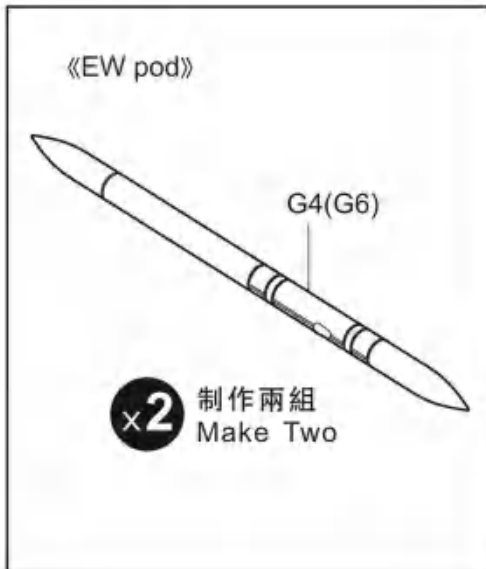
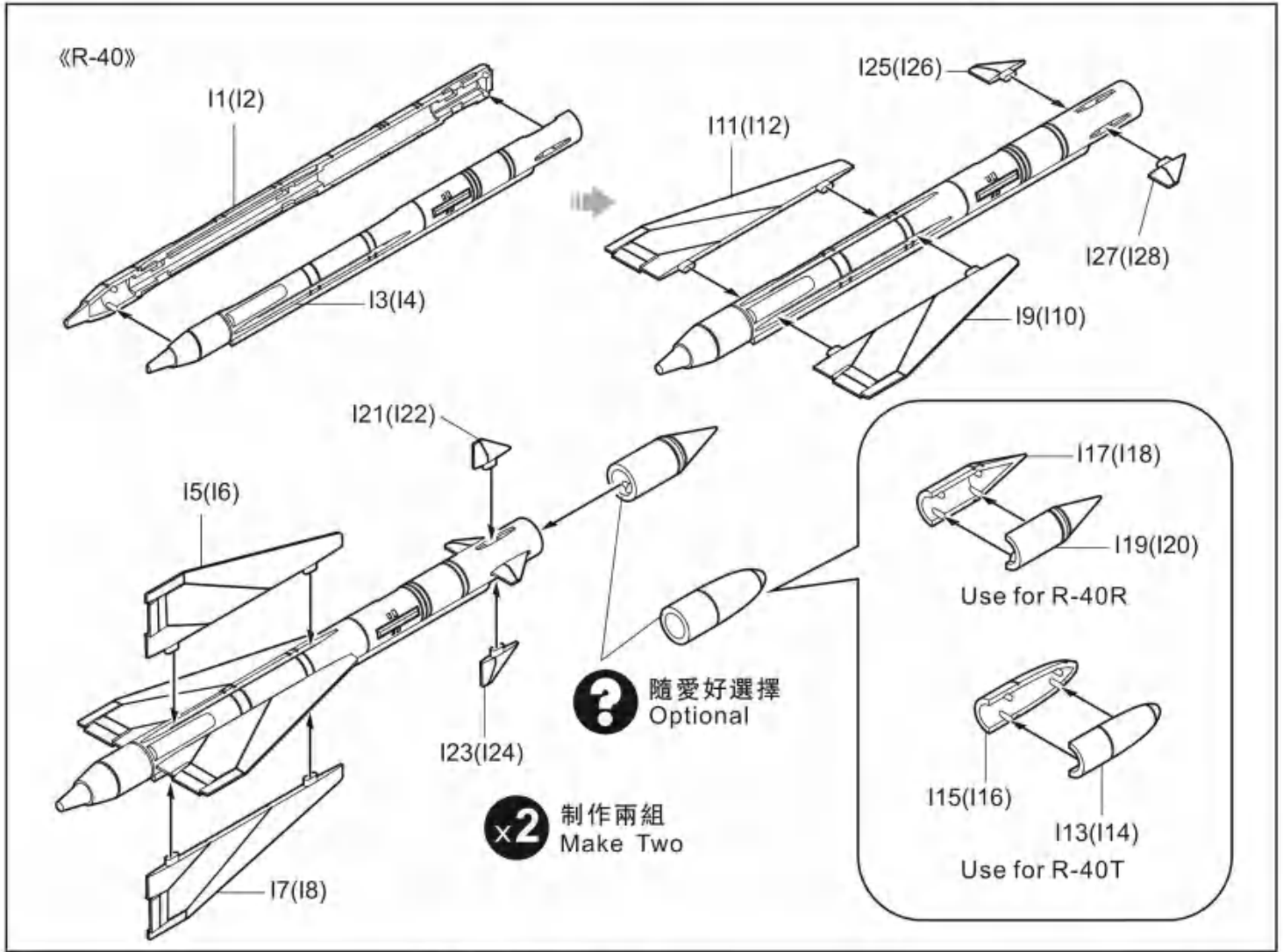
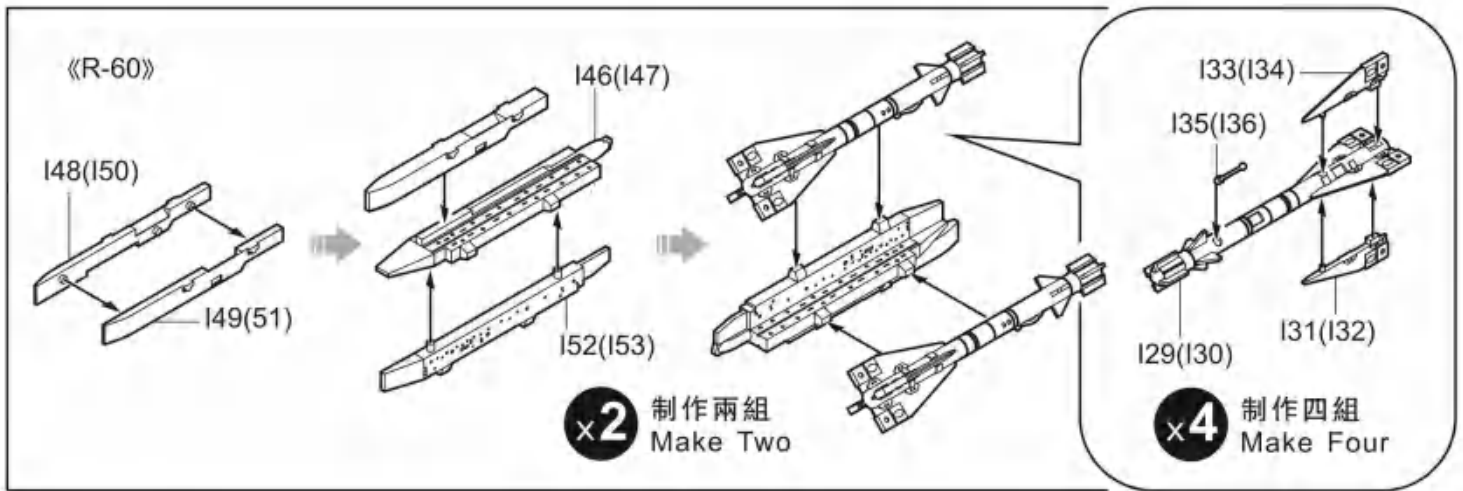


17

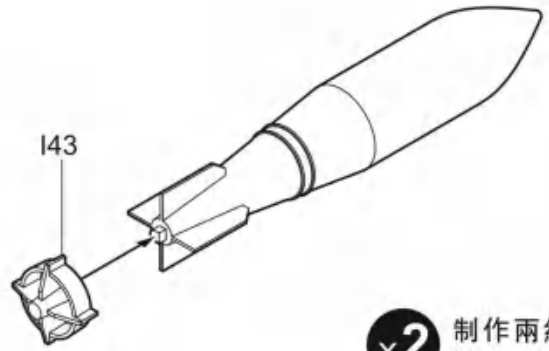
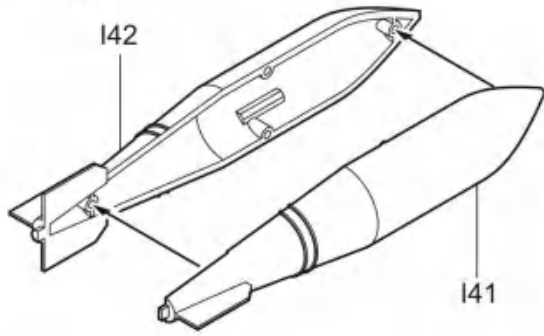


18



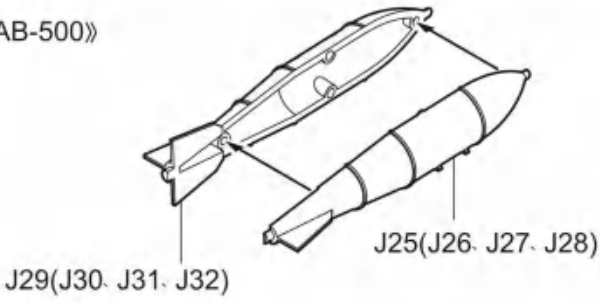


《FAB-1500》

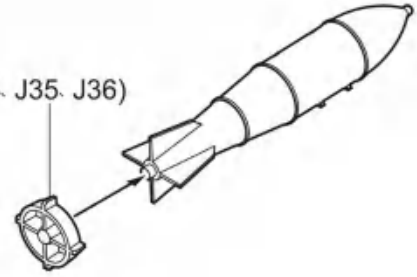


x2 制作兩組
Make Two

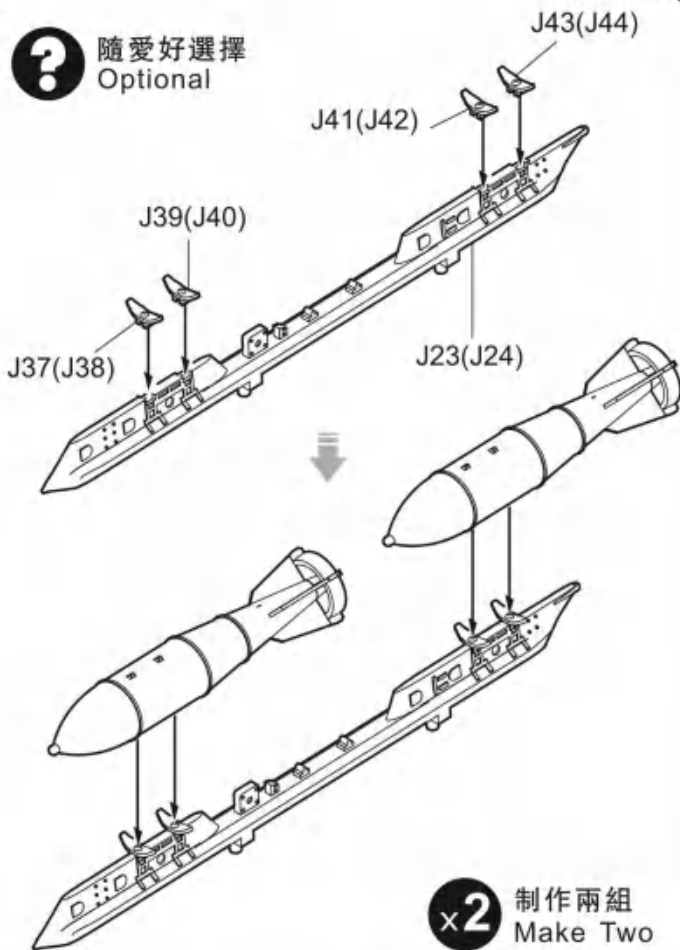
《FAB-500》



J33(J34, J35, J36)

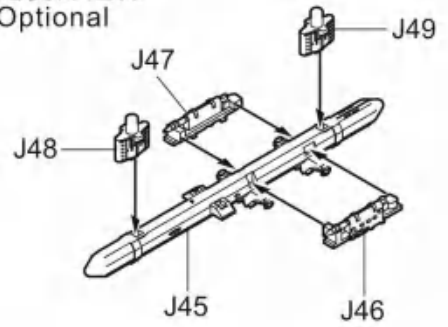


? 隨愛好選擇
Optional

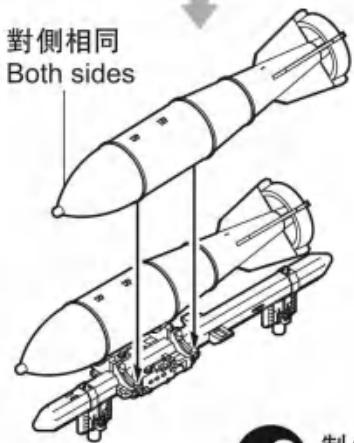


x2 制作兩組
Make Two

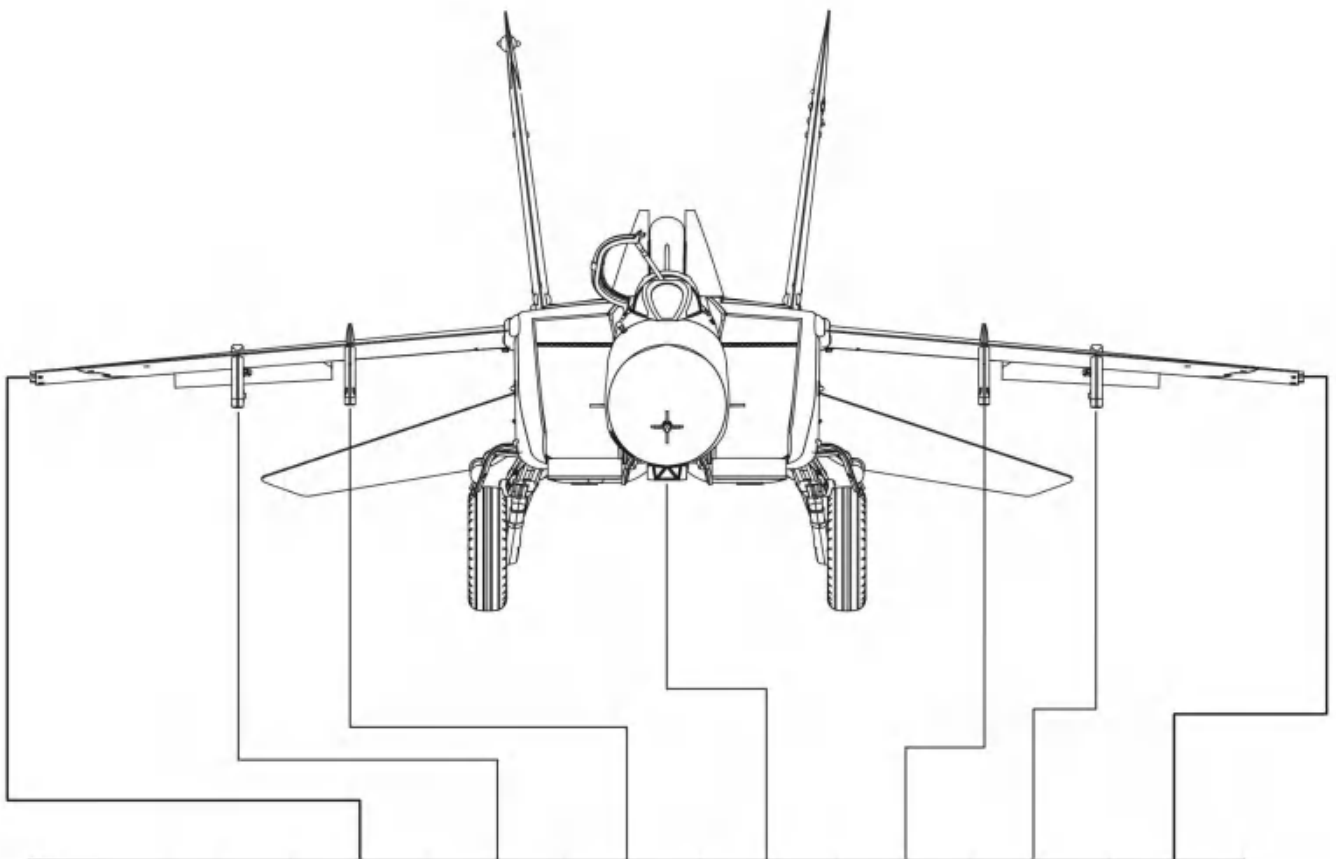
? 隨愛好選擇
Optional



↔ 對側相同
Both sides

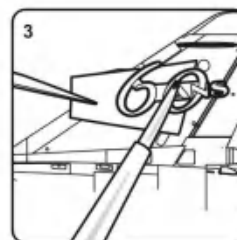
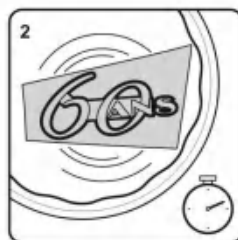
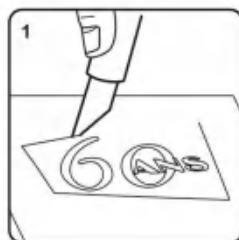


x2 制作兩組
Make Two



Sta.No.	1	2	3	4	5	6	7
Missile/Tank							
《EW pod》	●						●
《R-60》		●●				●●	
《R-40T》			●		●		
《R-40R》			●		●		
《Fuel tank》				●			
《FAB-1500》			●		●		
《FAB-500》			●●	●●	●●		

DECAL APPLICATION



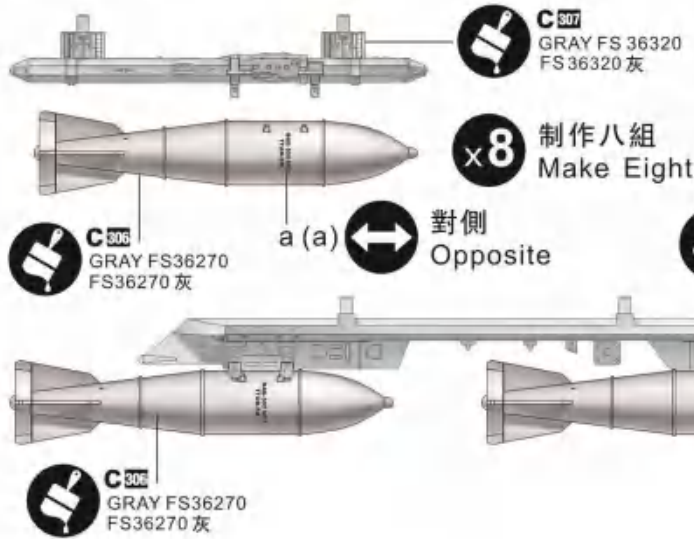
1. Cut off decal from transfer sheet.
2. Dip the decal in water for about 10 seconds (may take more seconds if in low temperature), and place on a clean cloth.
3. Hold the backing paper edge and slide decal onto the model. Then move decal into position by wetting decal with brush or finger.
4. Press decal gently down with a soft cloth until excess water and air bubbles are gone.



Painting & marking Guide

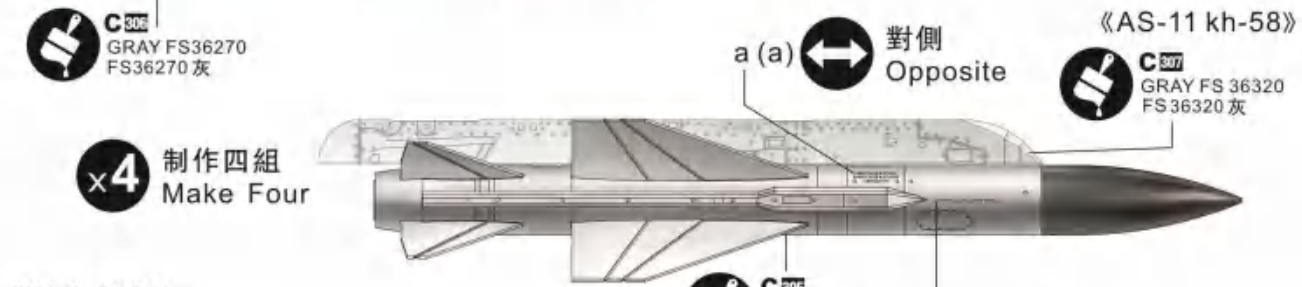
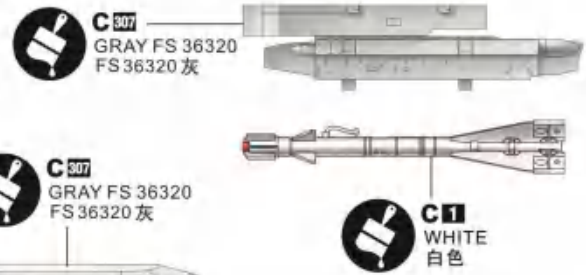
塗裝與水貼

《FAB-500》

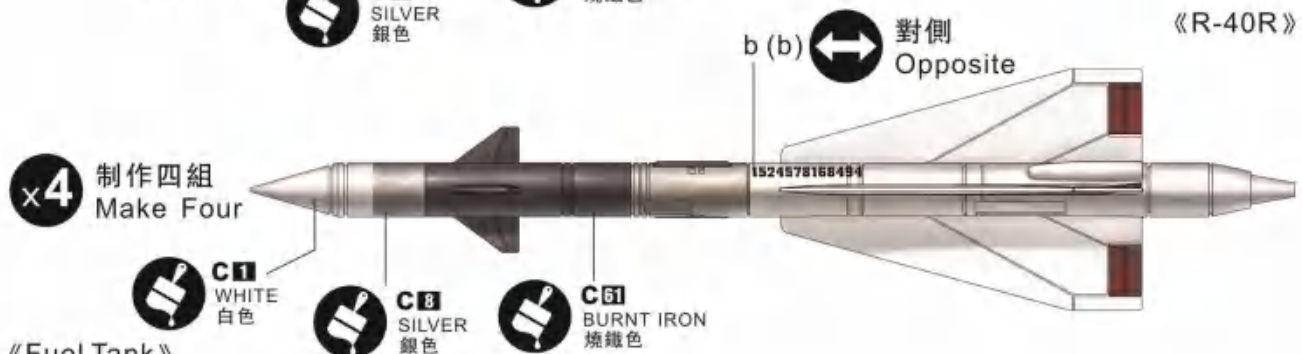
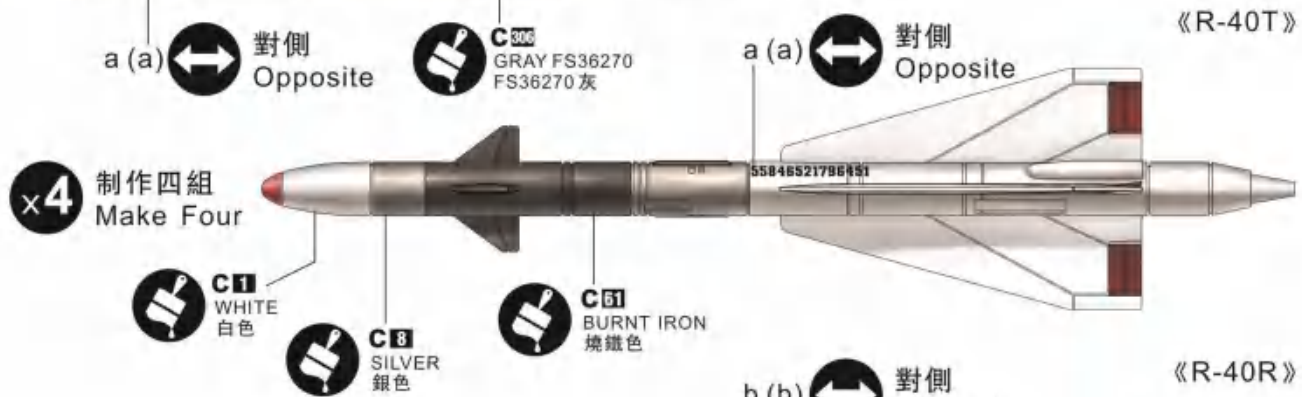
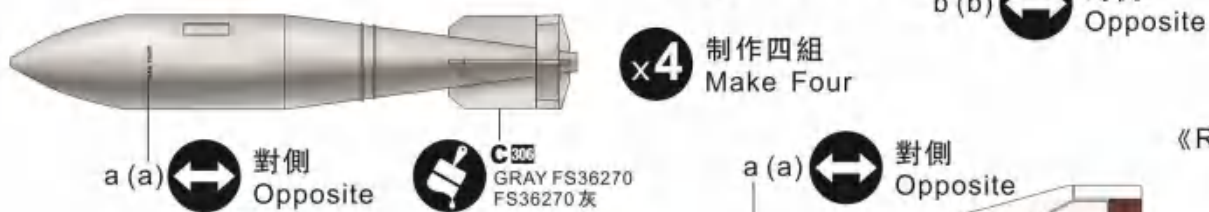


x4 制作四組
Make Four

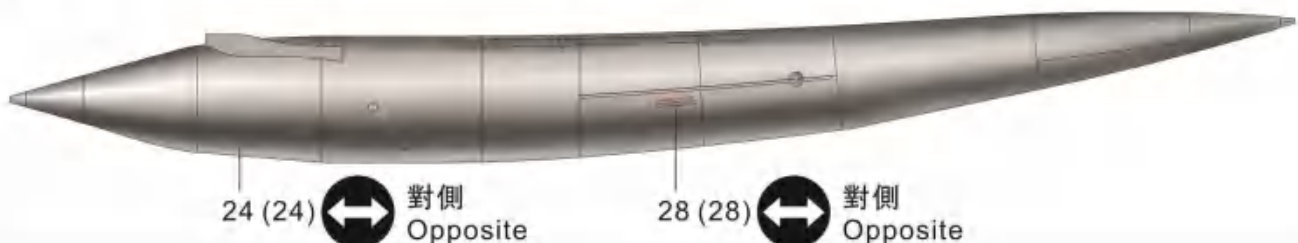
《R-60》



《FAB-1500》



《Fuel Tank》



1:48 Mig-25PD/PDS FOXBAT
Painting & marking Guide

A. Mig-25 PD "Blue 75", Russia Air Force, 1979.

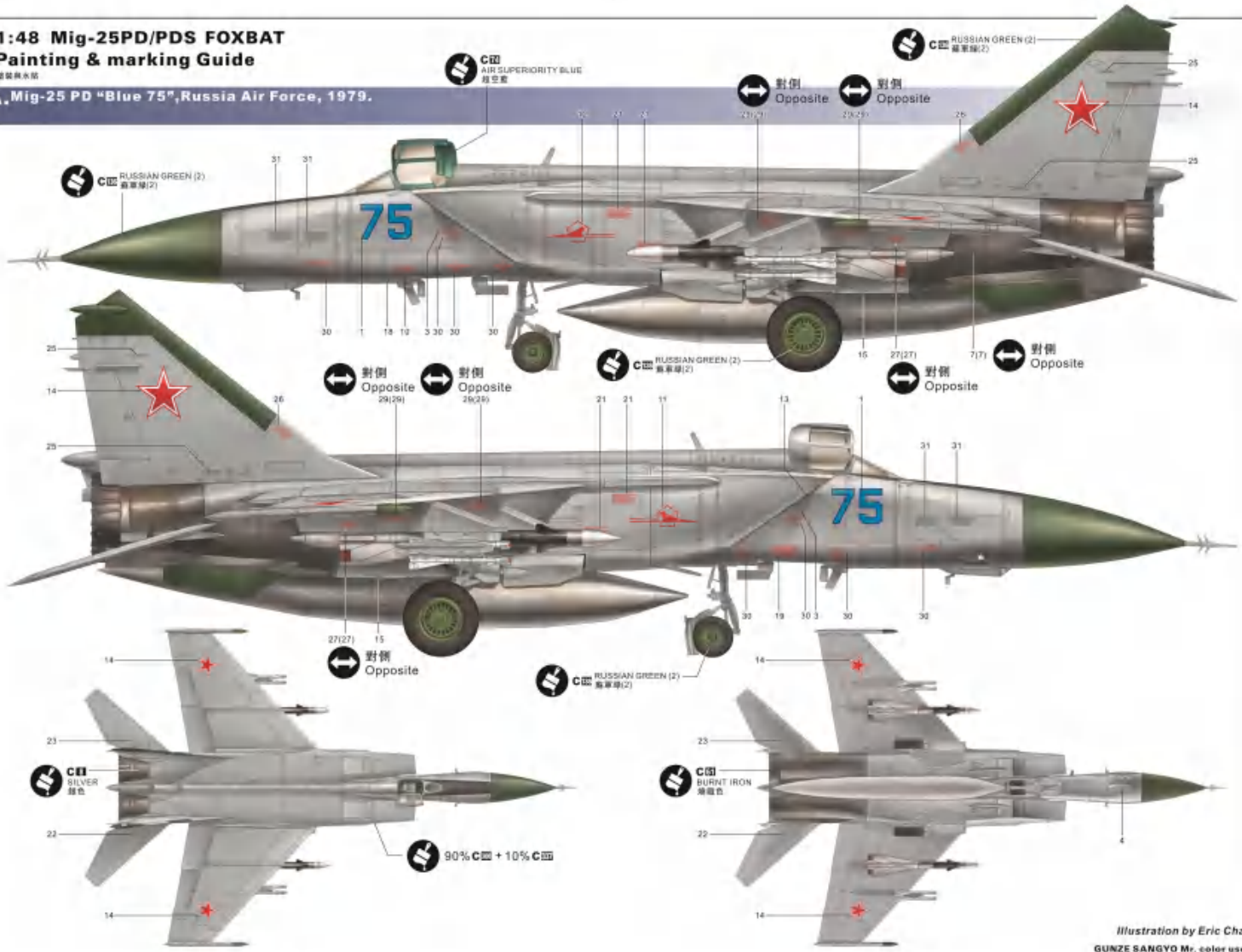


Illustration by Eric Chan
 GUNZE SANGYO Mr. color used

Painting & marking Guide

C, Mig-25PD, Iraqi AF

