

1:48

SH-2F

Seasprite



拼裝說明書

Instruction



Instruction

1:48  
SH-2F "海妖" 艦載直升機

ITEM NO. ZM80122

# READ BEFORE ASSEMBLY

在組合您的模型之前，請充分閱讀本冊說明書。組合模型您需要如下物品（需另購）：模型膠水；一把模型鉗或一把用於將零件從框架上切下的模型筆刀。筆刀同樣可以用來修整零件的合模縫。祝您制作愉快！

Before assembling your model kit, read through these instructions carefully. To assemble this kit, you will need Plastic glue ( not include ). A pair of side cutter or a sharp modelling knife is required for removing parts from the frame. Plastic mould lines can be removed with the modelling knife.



請注意  
Special instructions



隨愛好選擇  
Optional



組合完成  
Finished Assembly



制作兩組  
Make Two



配重  
Weight



塗色  
Painting



無需膠粘  
Do Not Cement



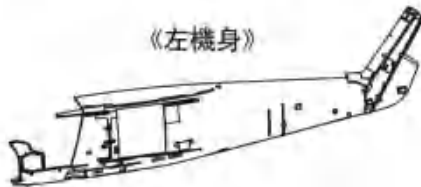
對側  
Opposite

## 部品圖 PARTS

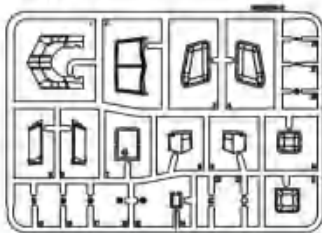
《右機身》



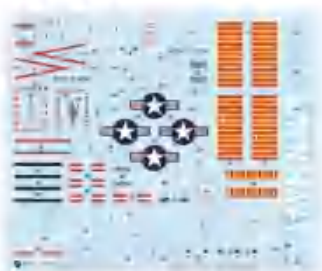
《左機身》



GP



DECAL



PE



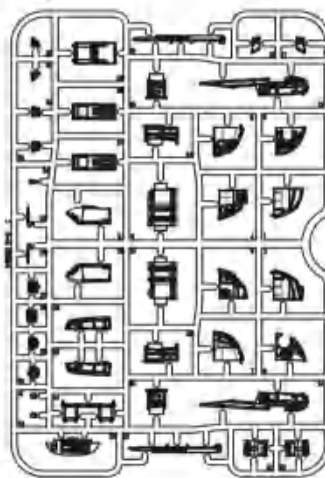
E



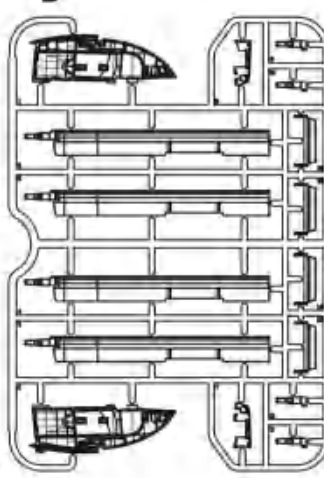
D



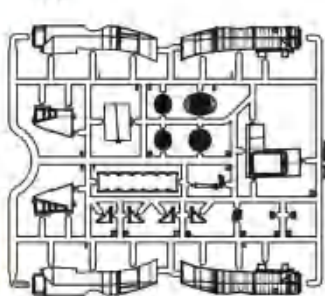
C



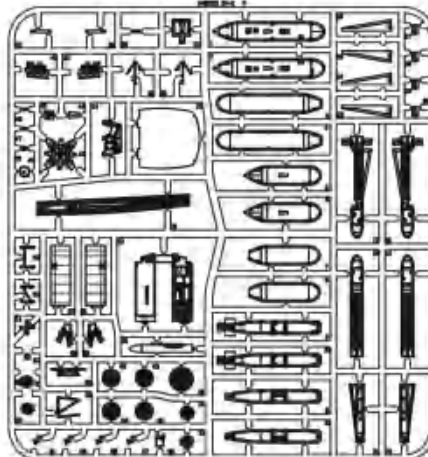
B

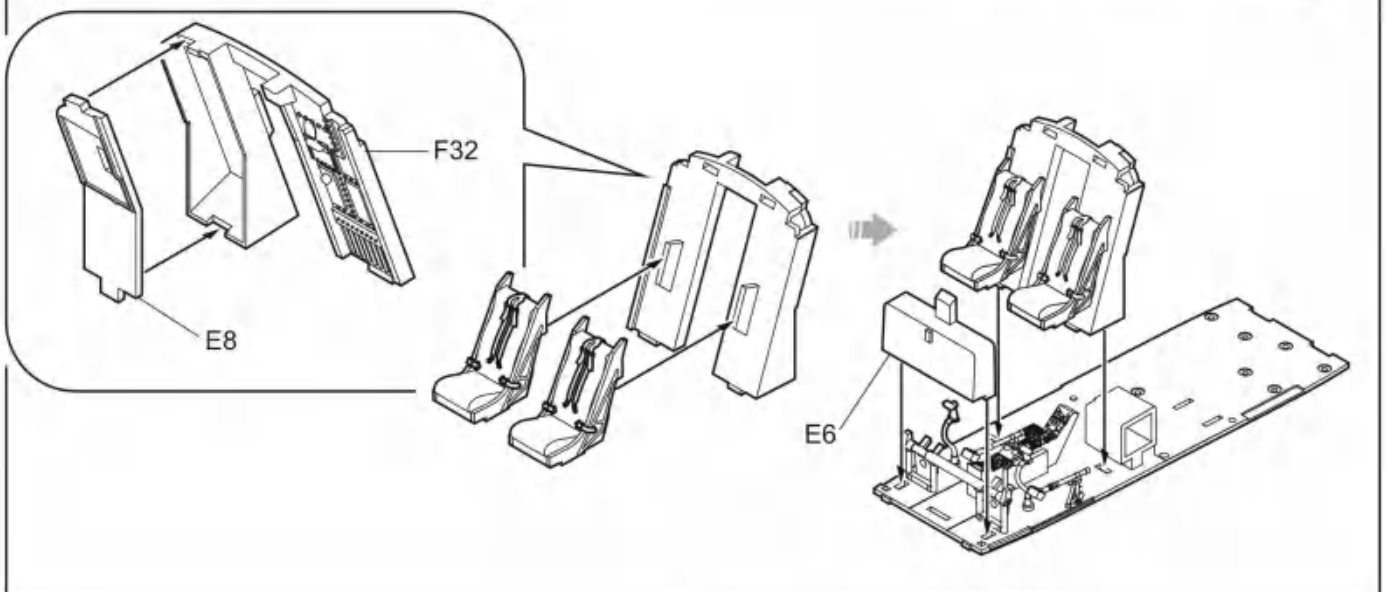
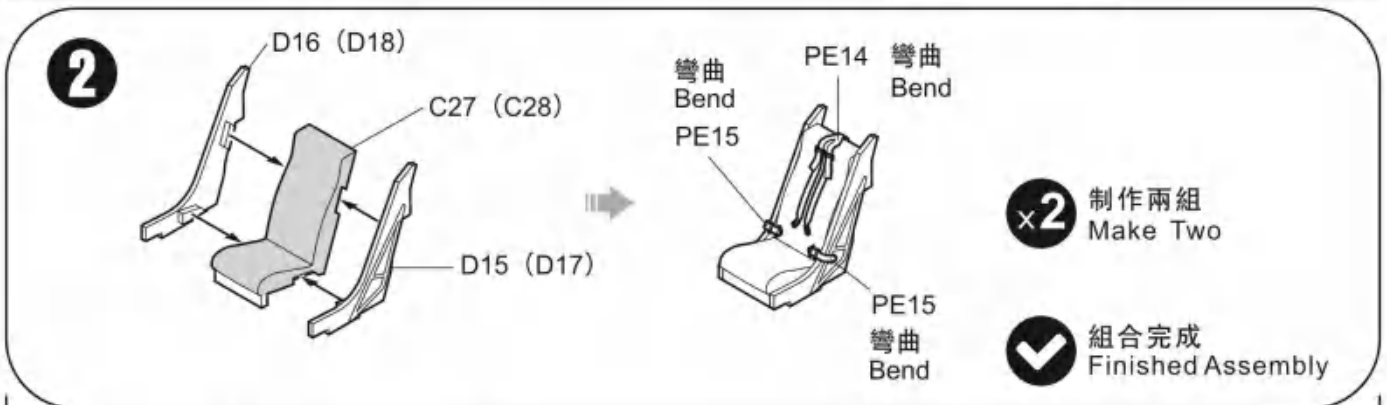
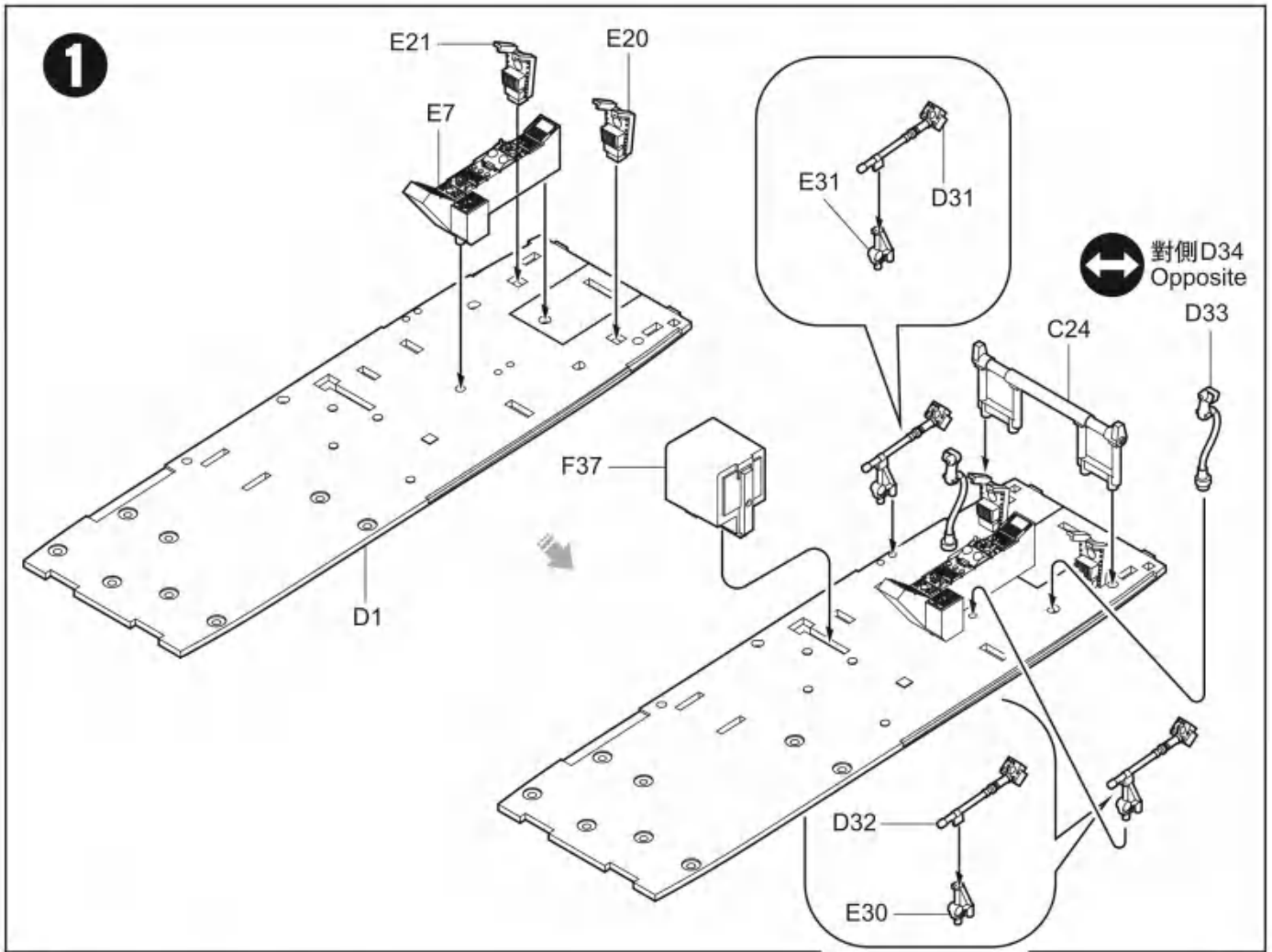


A

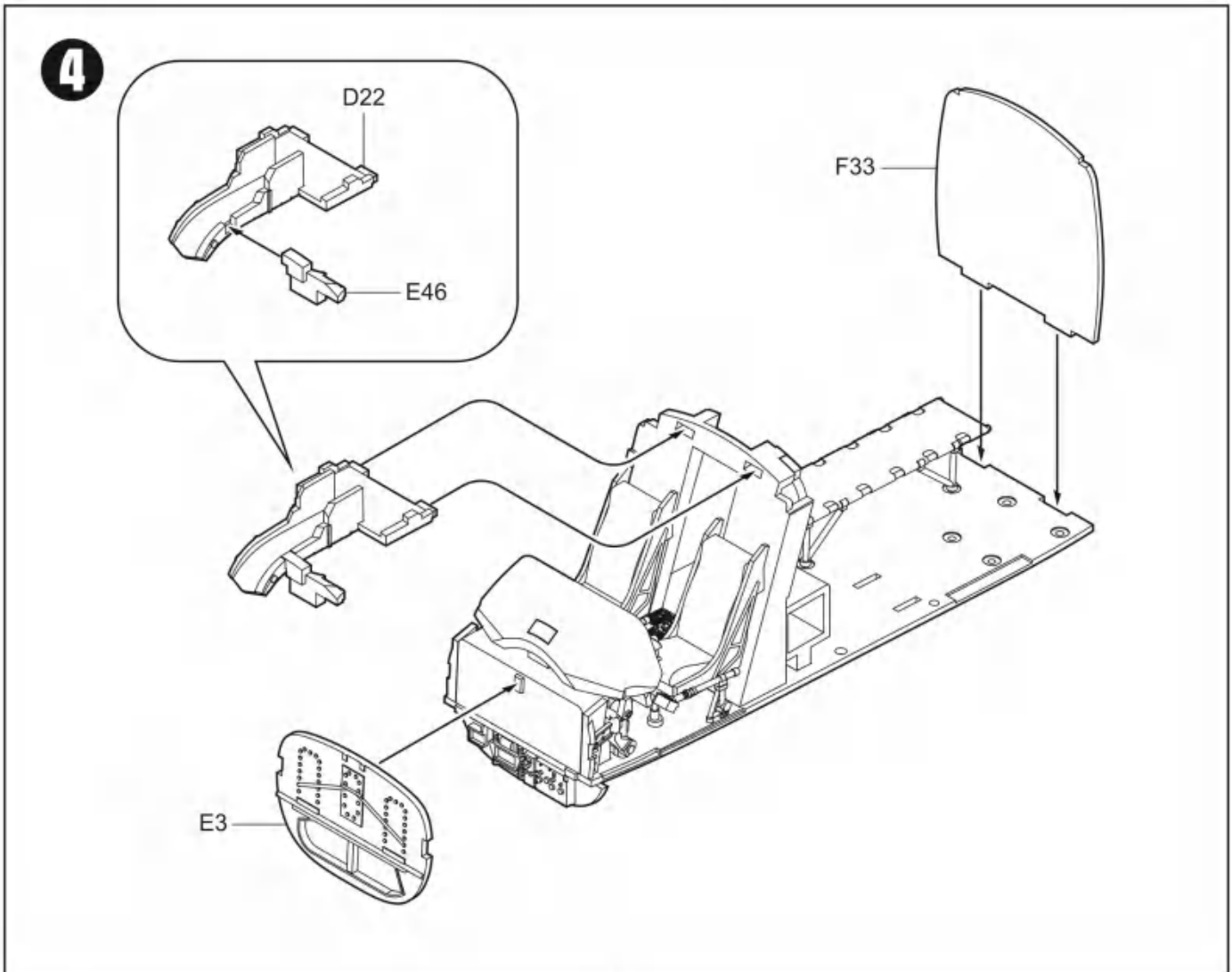
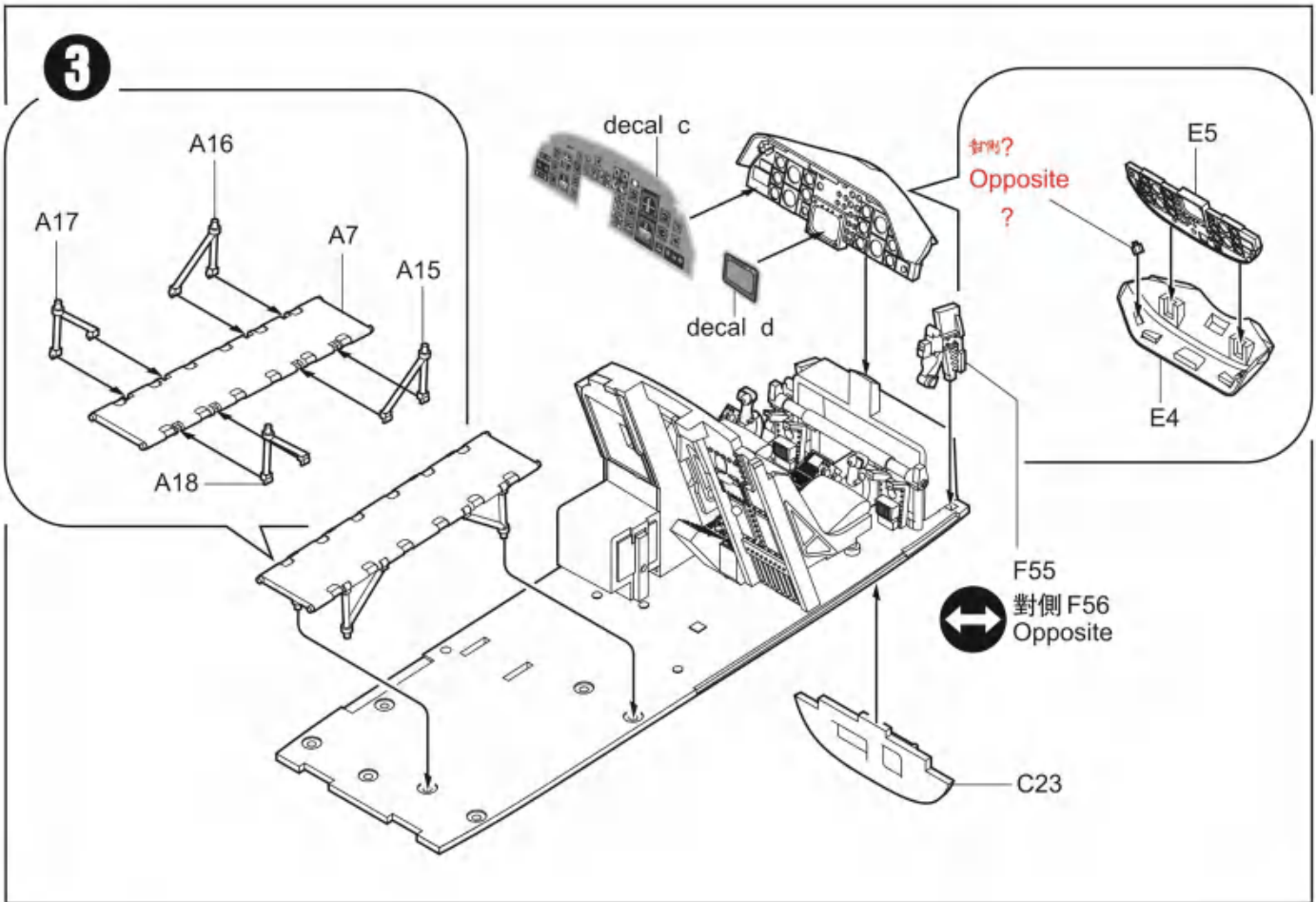


F



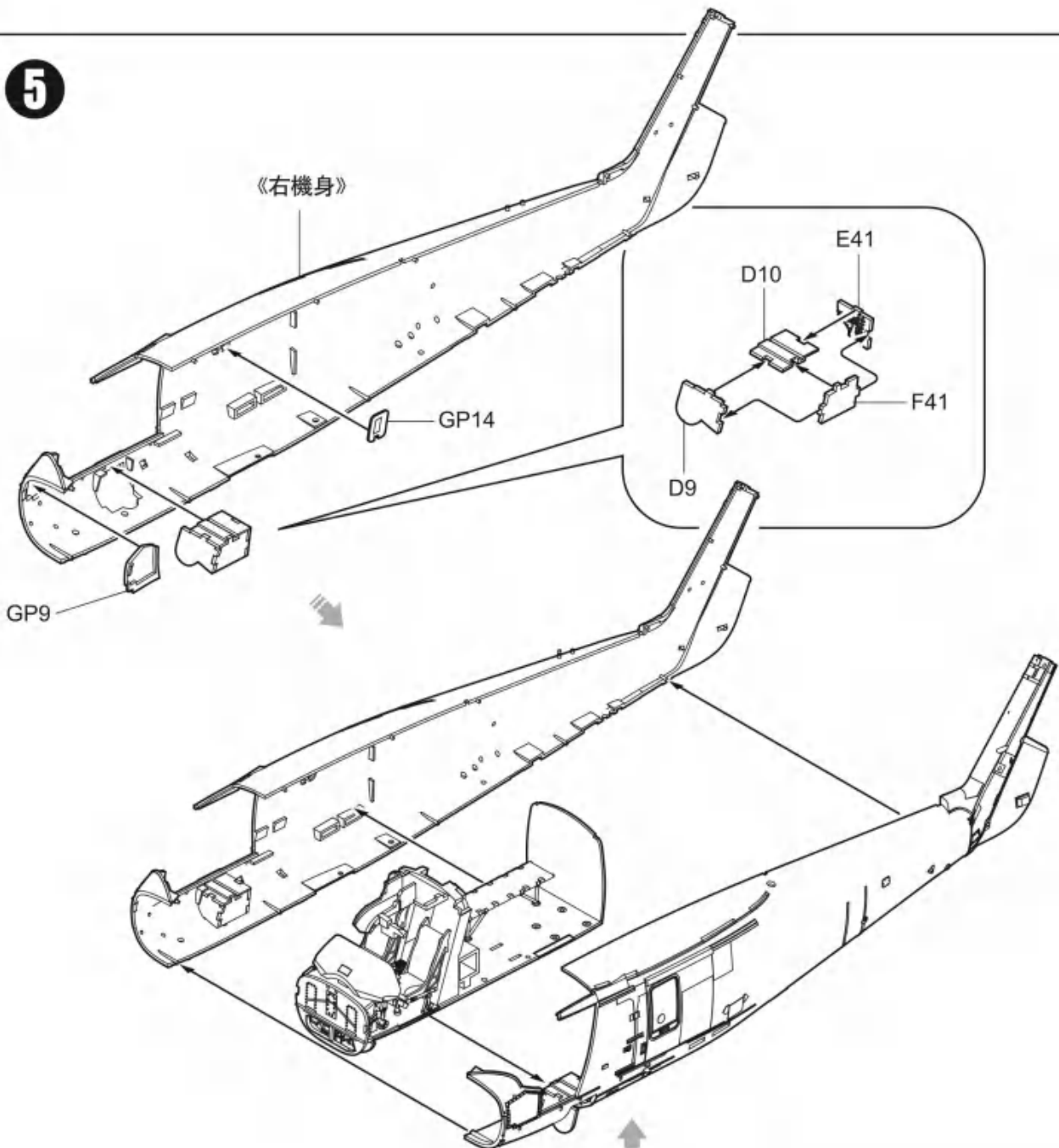




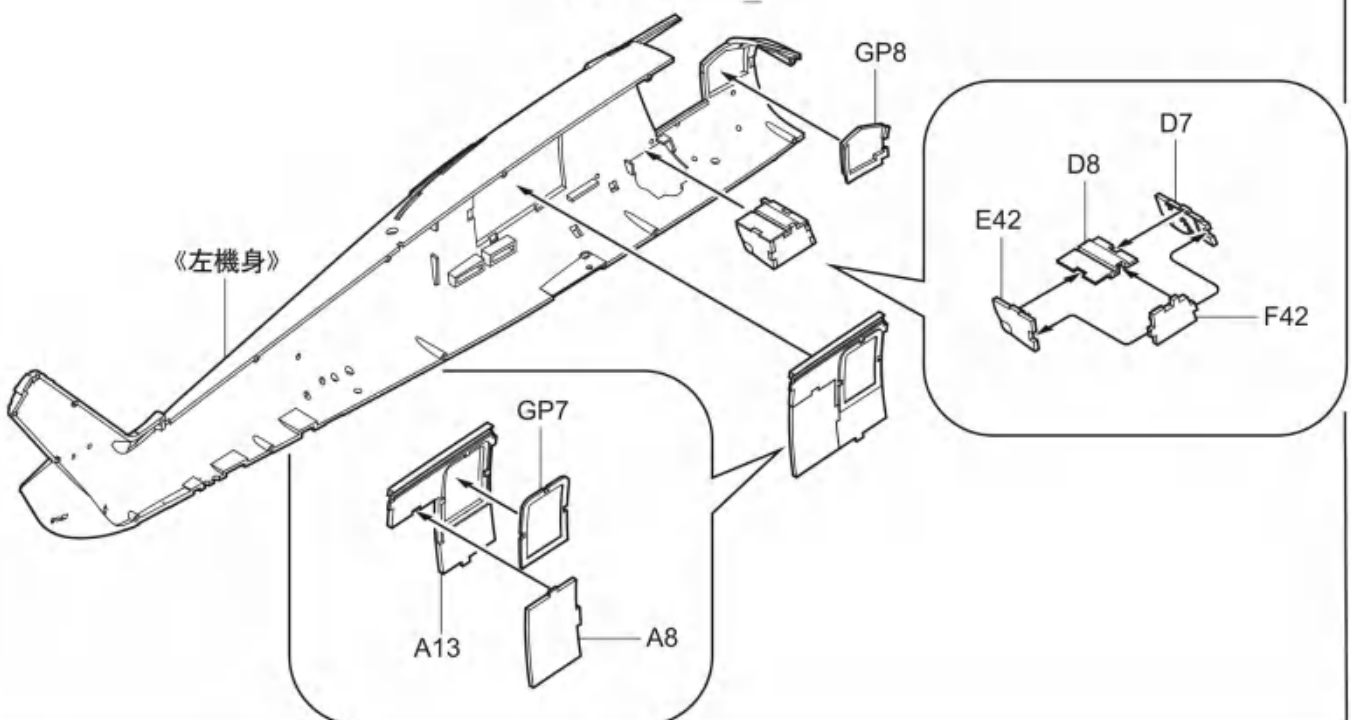


5

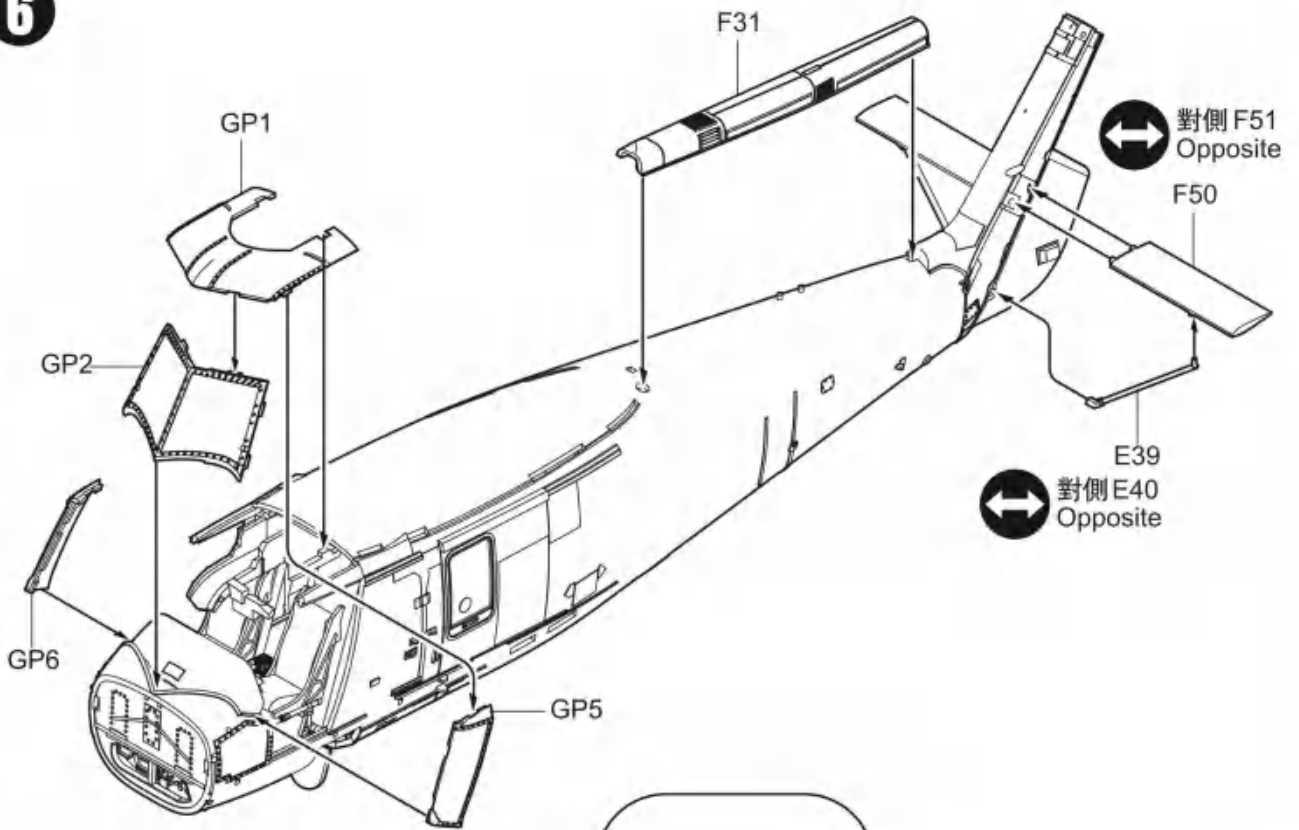
《右機身》



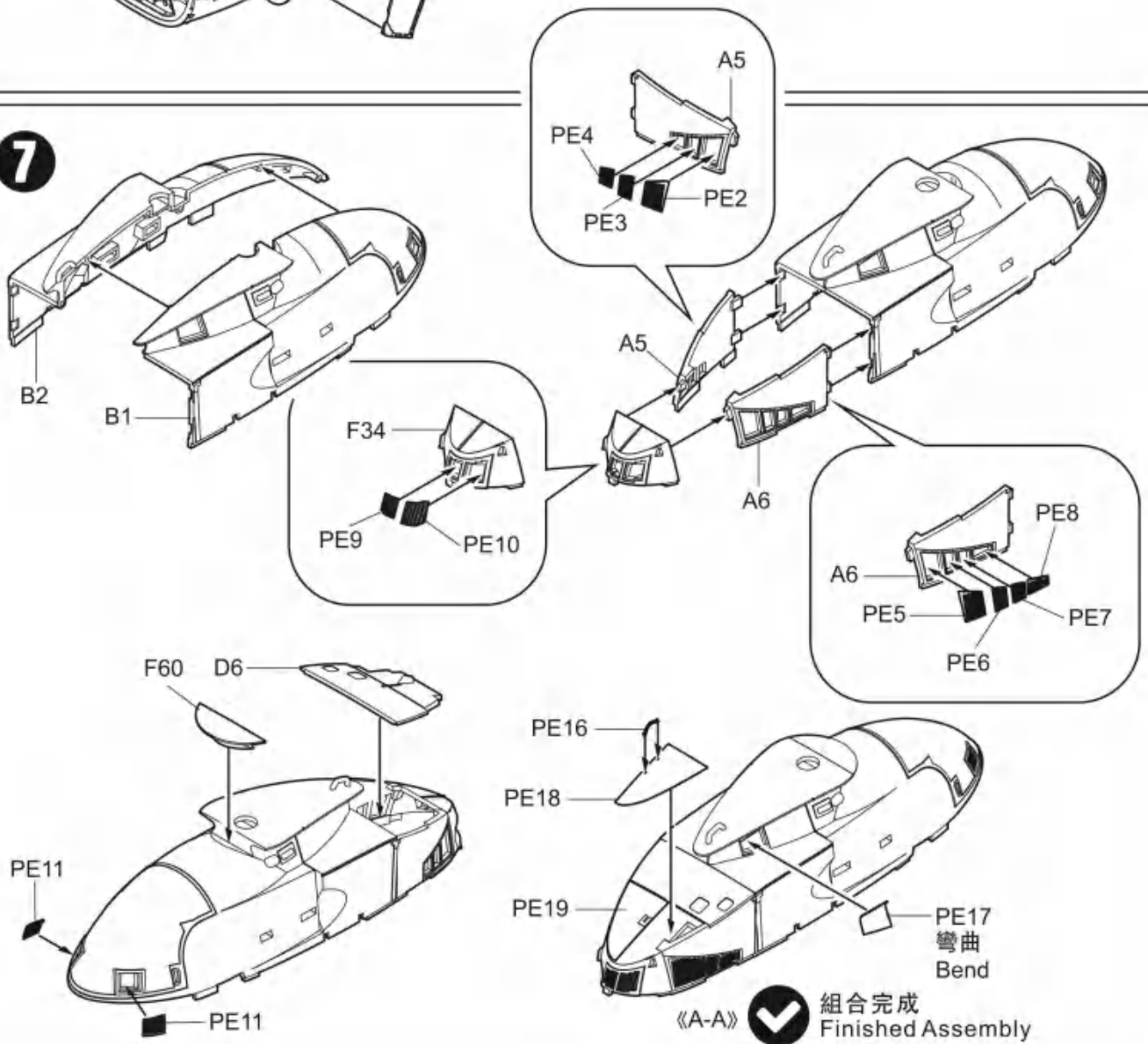
《左機身》

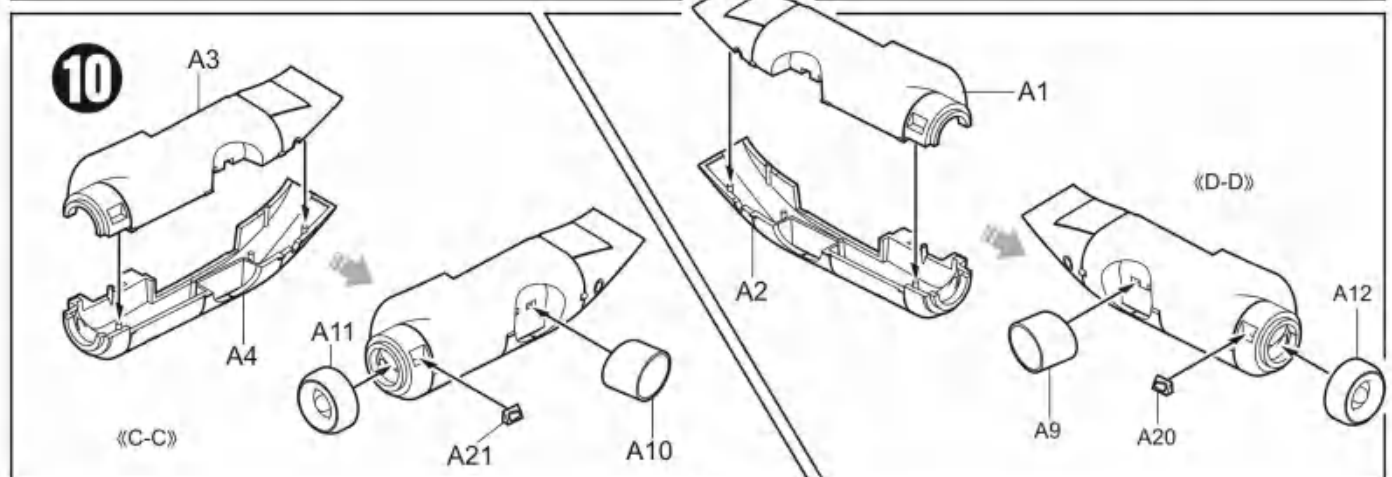
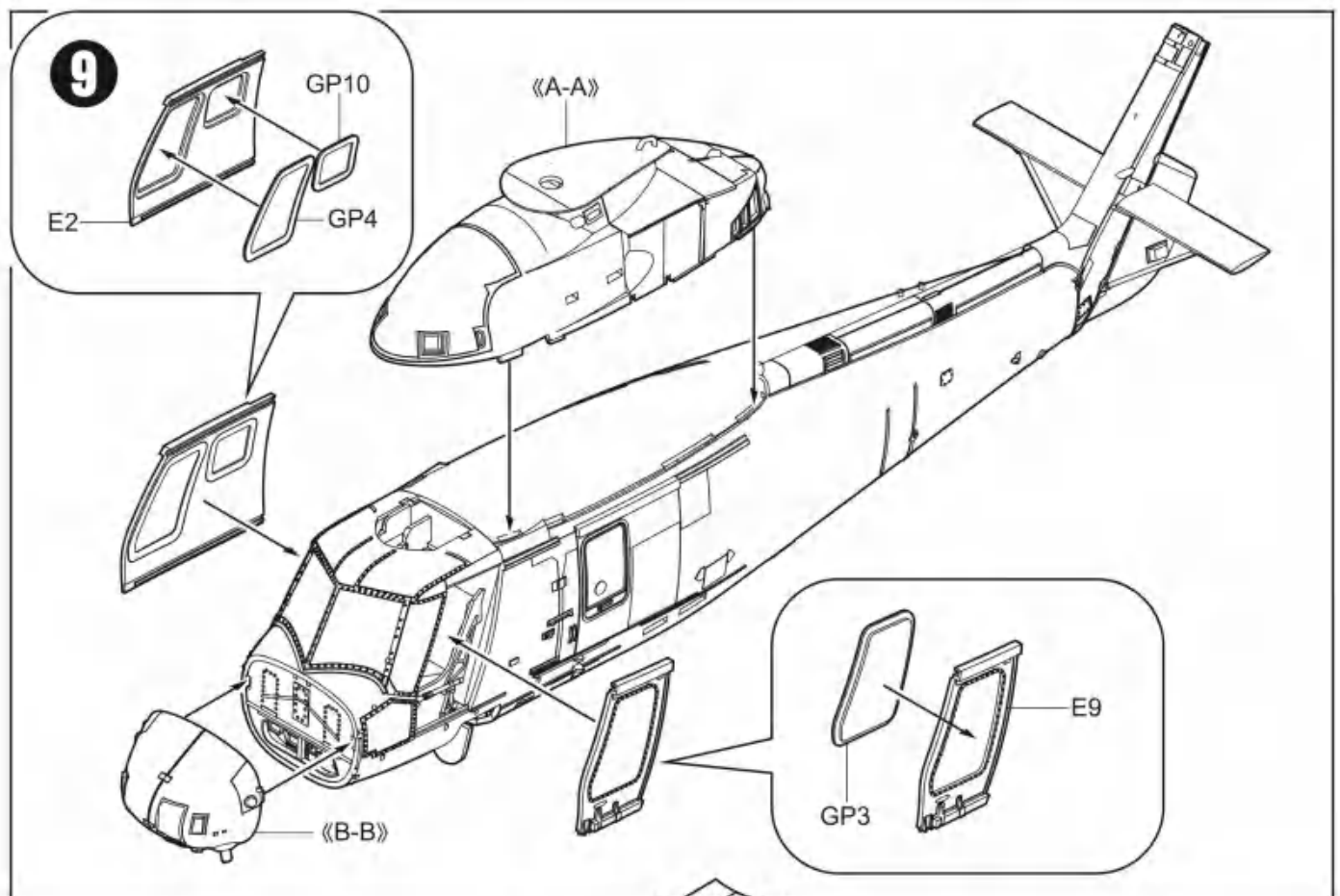
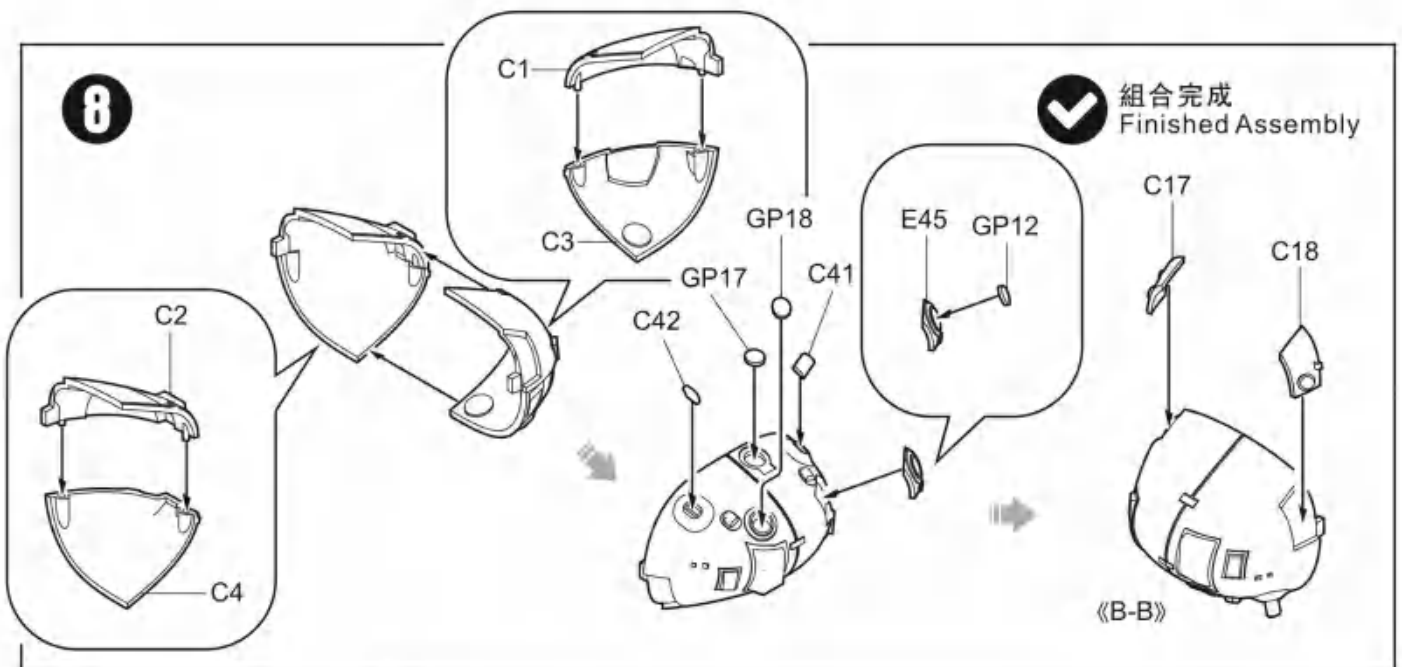


6

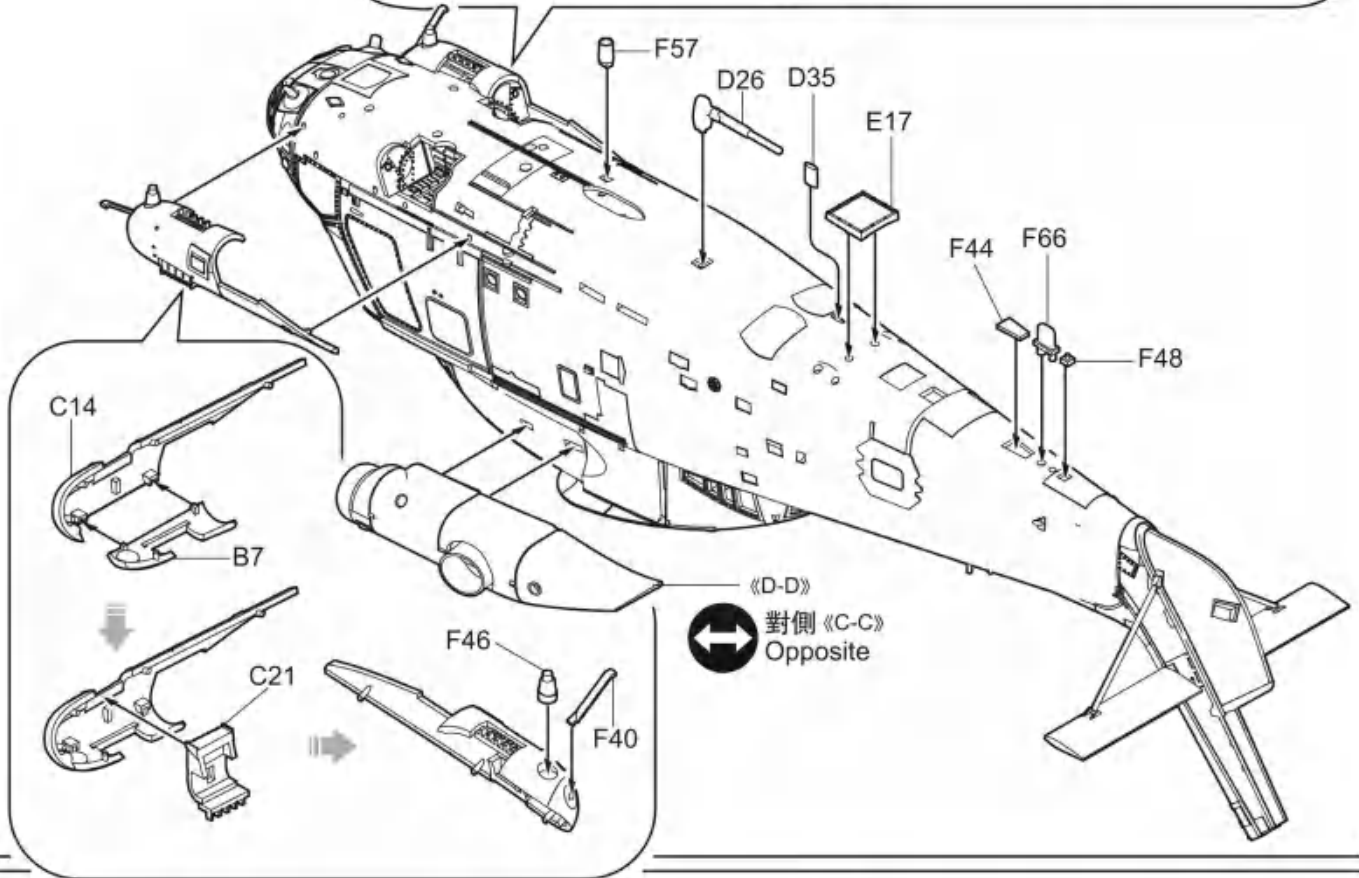
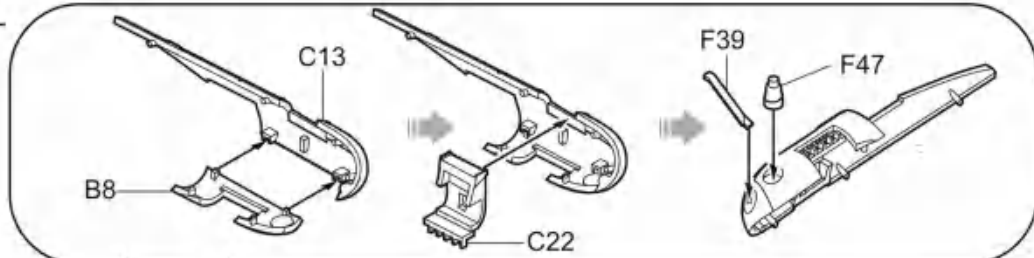


7

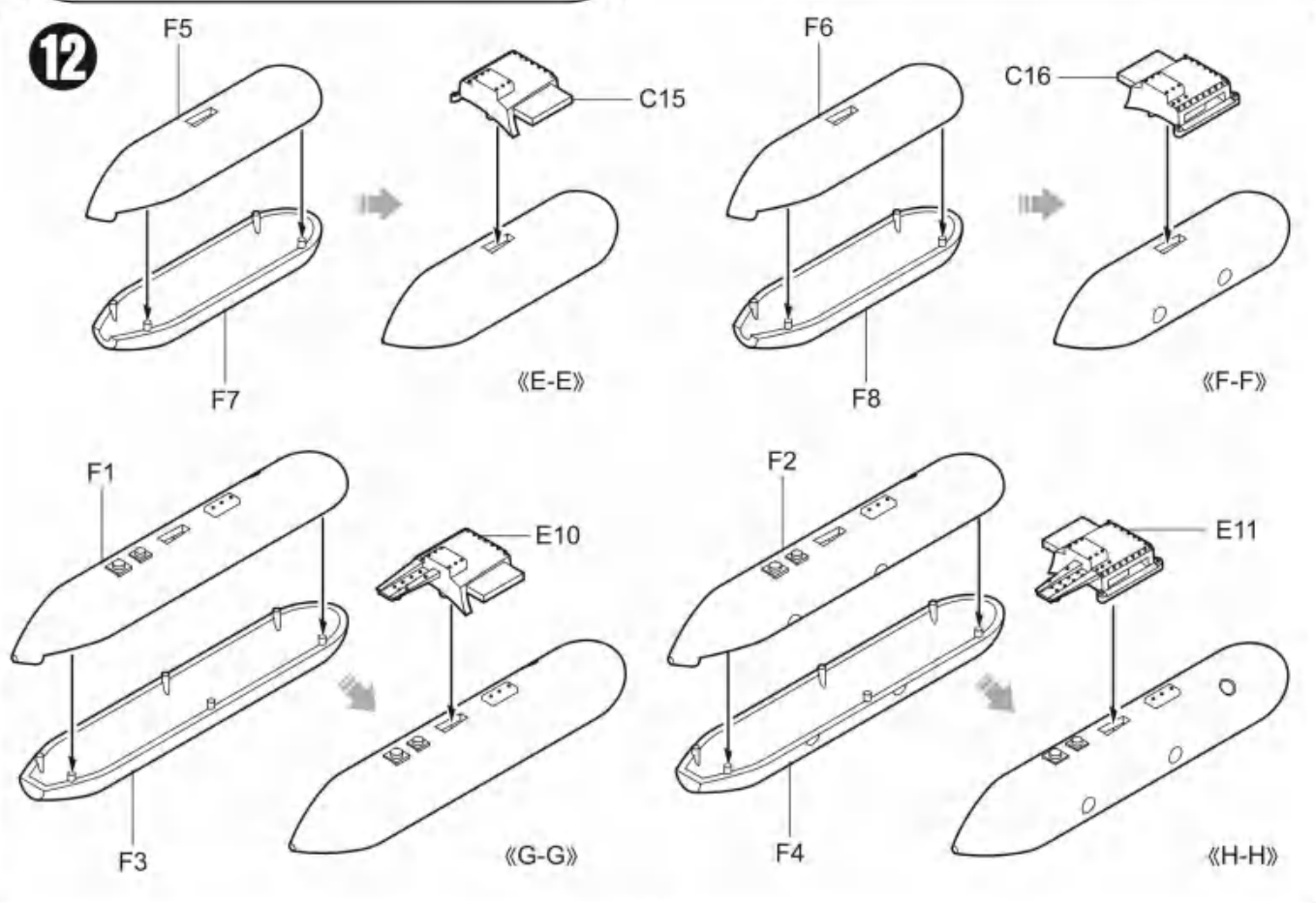




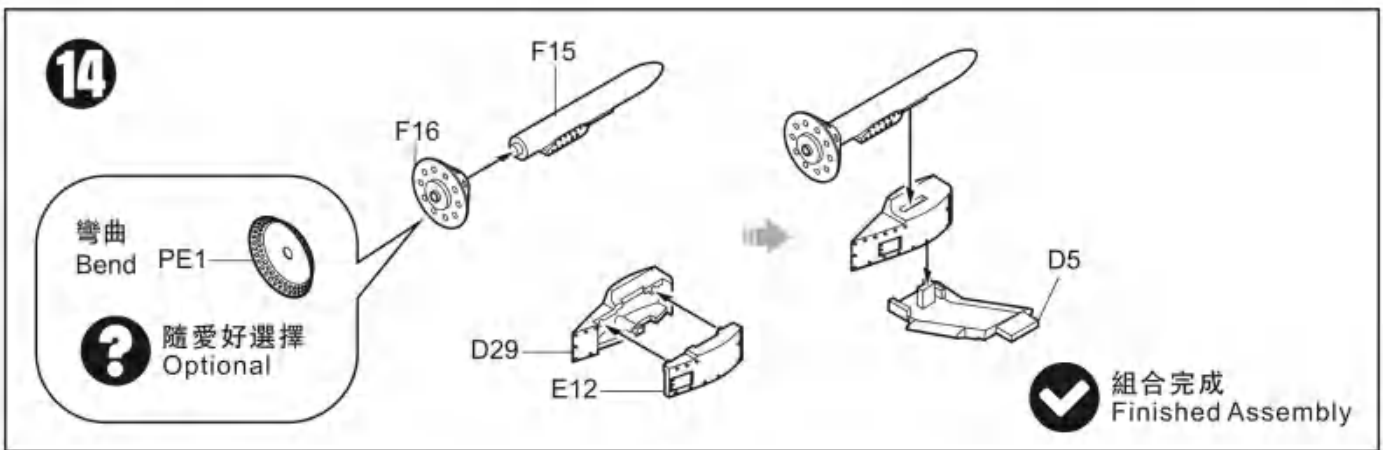
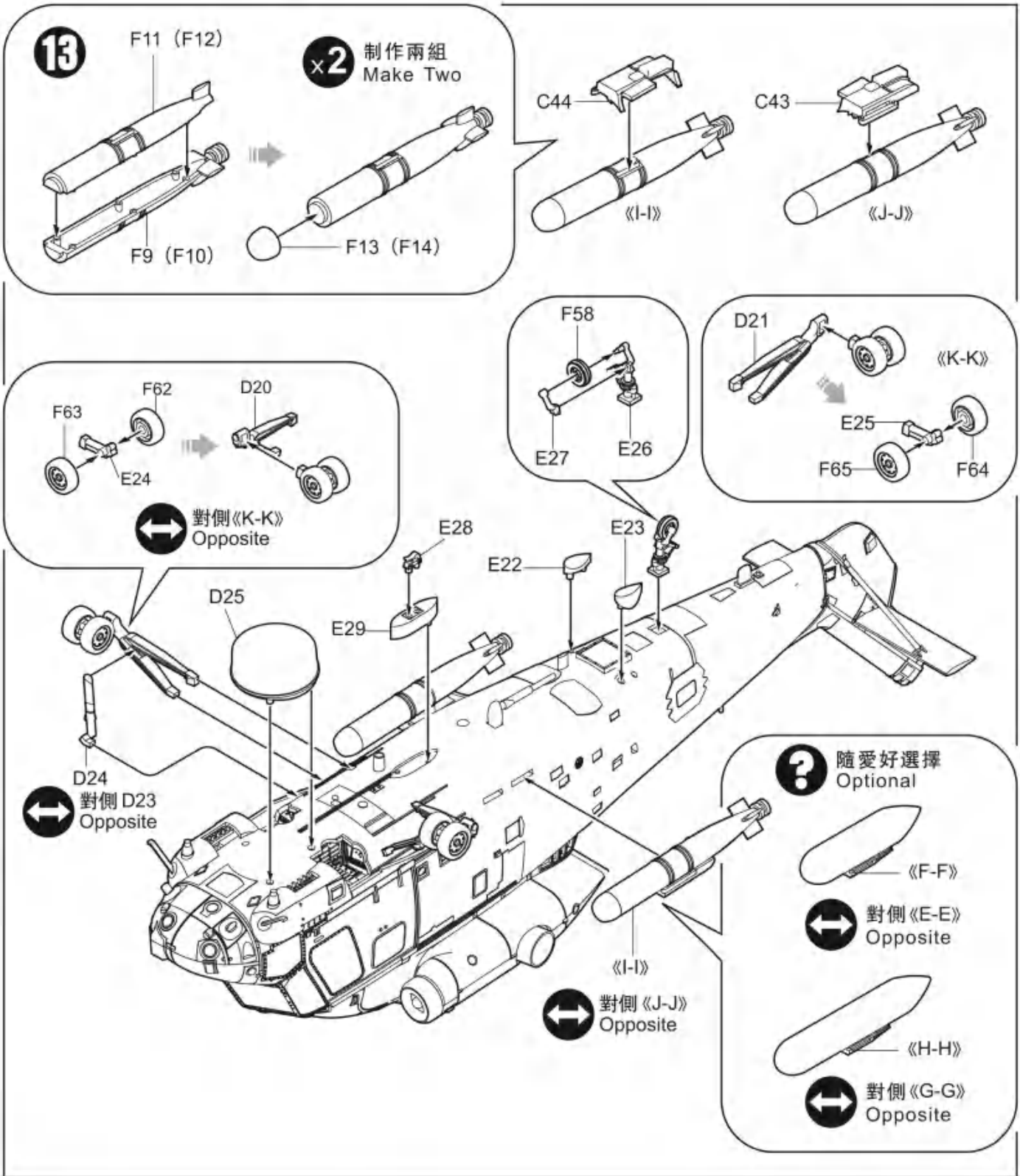
11



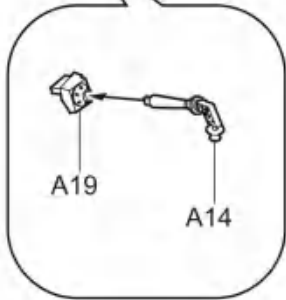
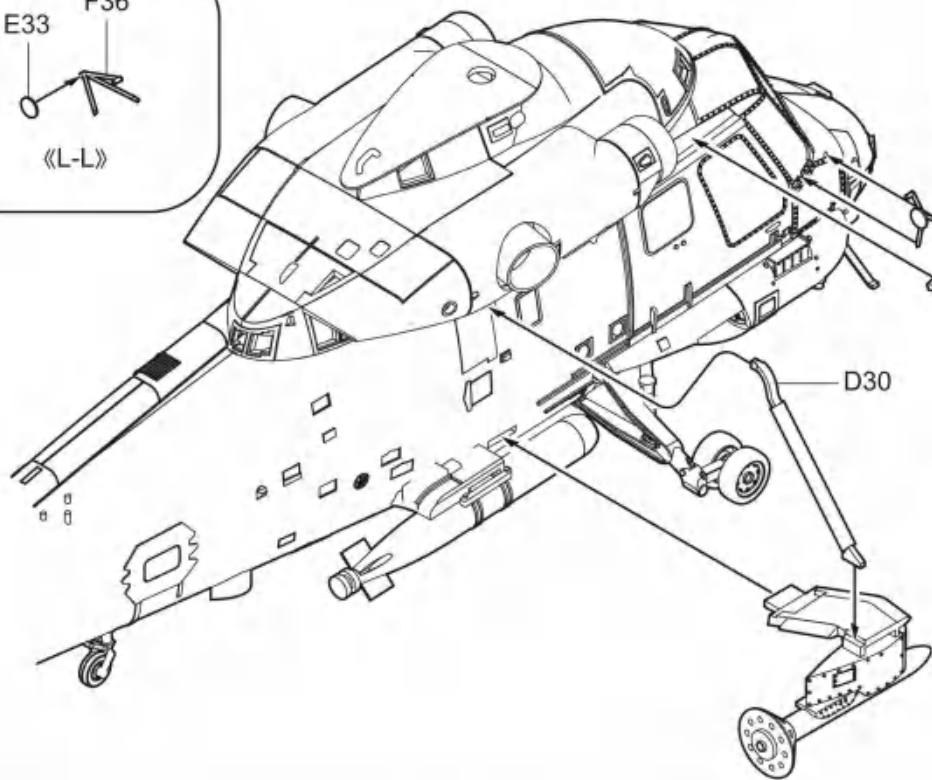
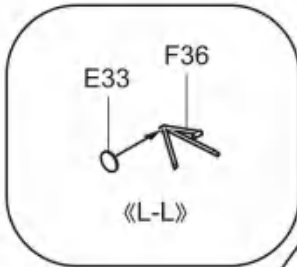
12





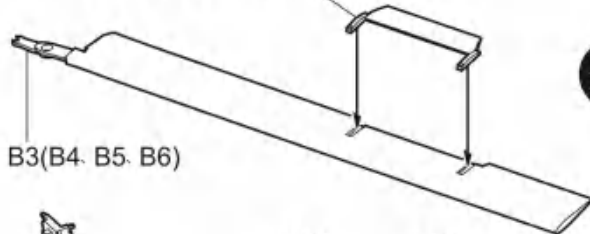


15

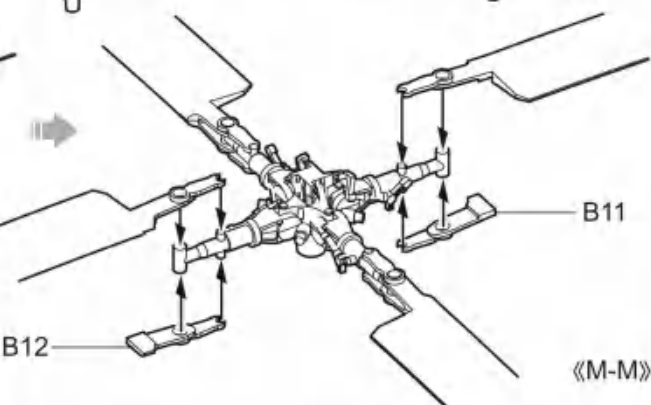
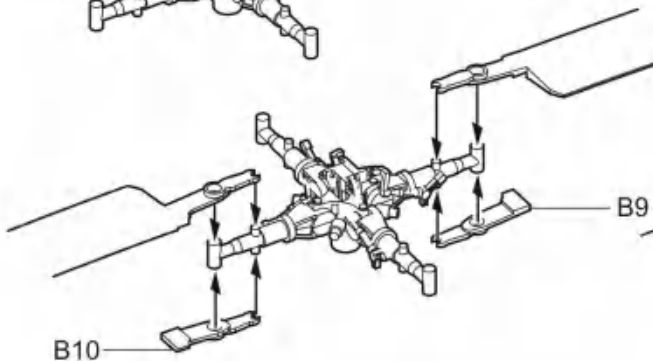
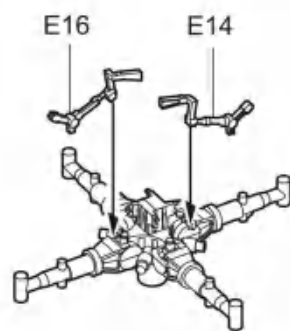
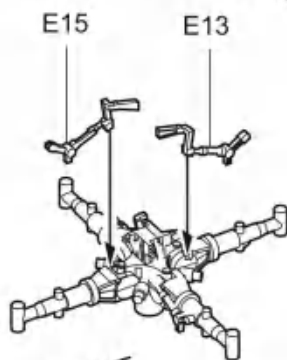
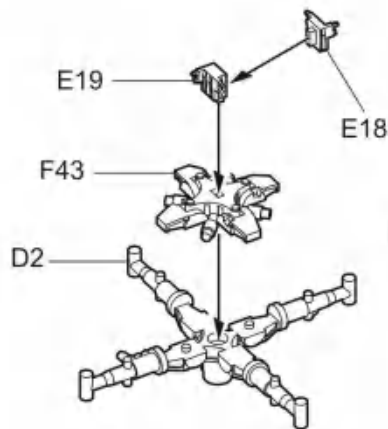


16

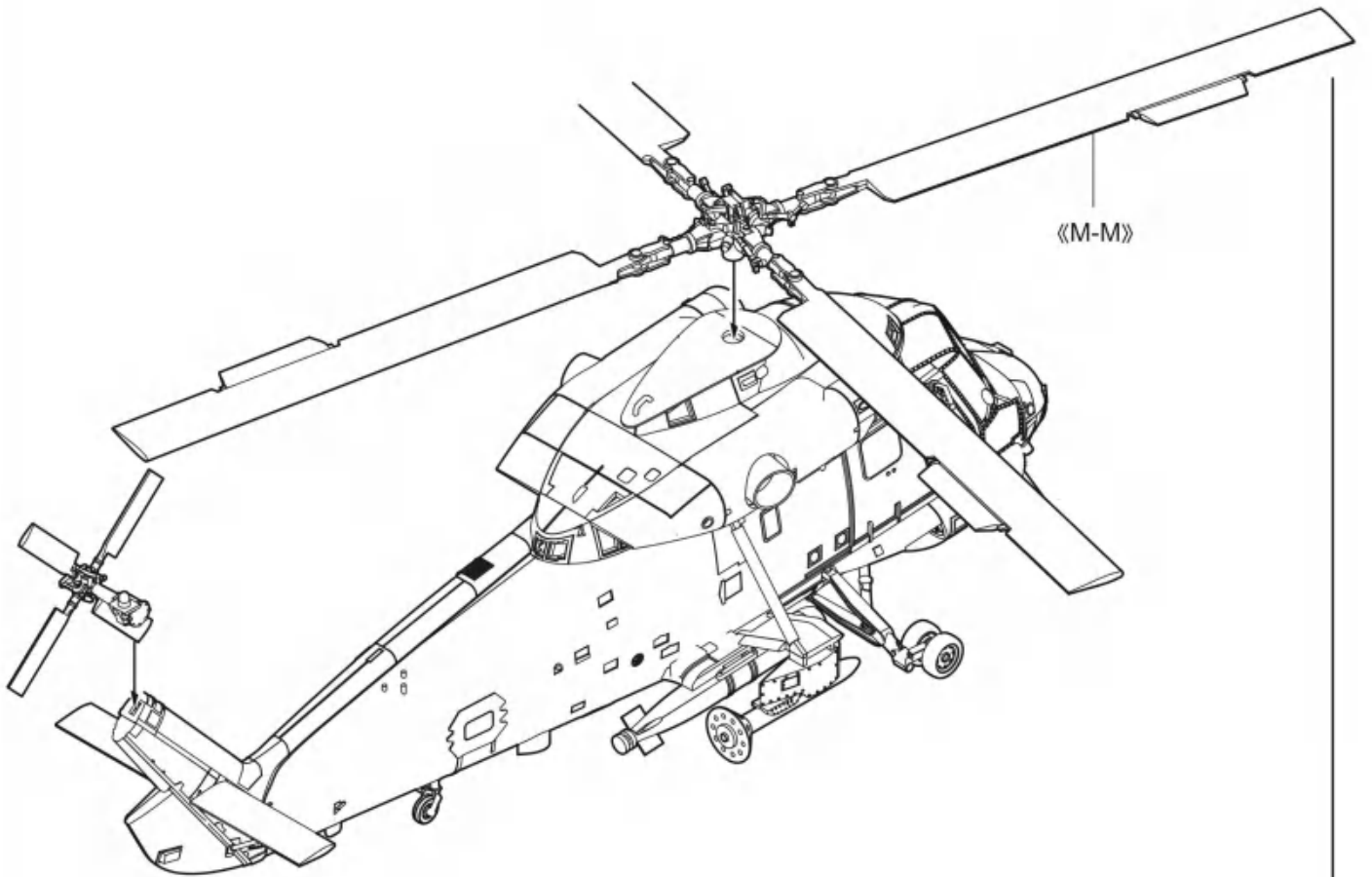
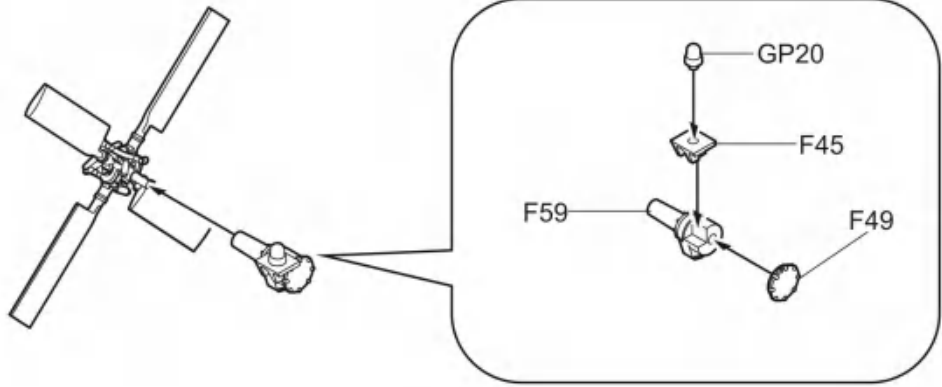
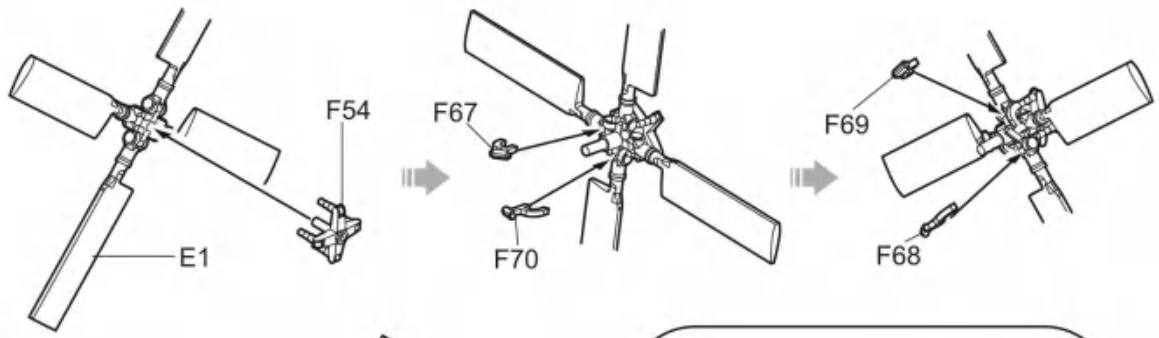
B13(B14. B15. B16)



x4 制作四組  
Make Four

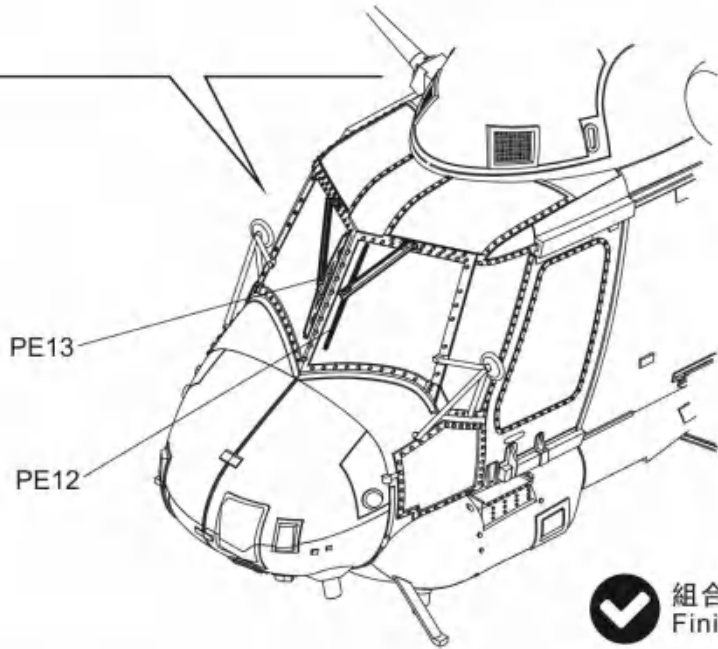
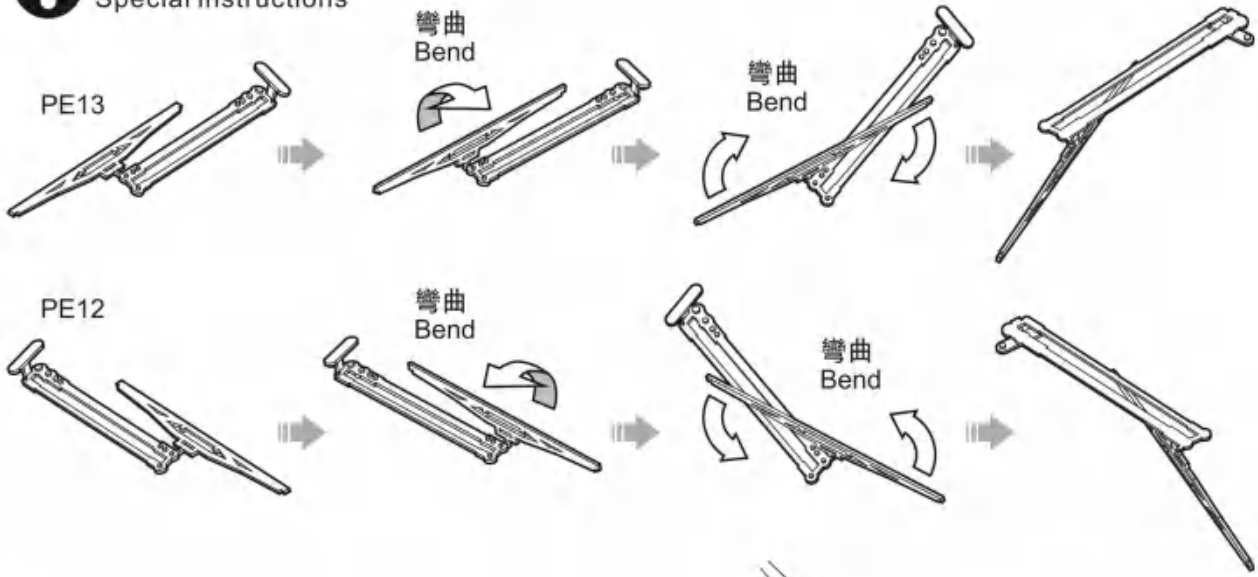


17



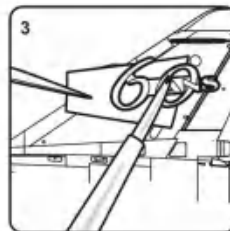
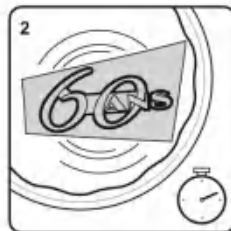
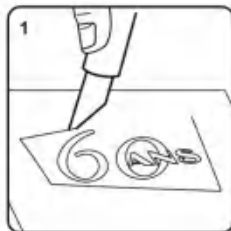
18

! 請注意  
Special instructions



✓ 組合完成  
Finished Assembly

## DECAL APPLICATION



1. Cut off decal from transfer sheet.
2. Dip the decal in water for about 10 seconds ( may take more seconds if in low temperature), and place on a clean cloth.
3. Hold the backing paper edge and slide decal onto the model. Then move decal into position by wetting decal with brush or finger.
4. Press decal gently down with a soft cloth until excess water and air bubbles are gone.



Copy Right 2013, Kitty Hawk. All Rights Reserved.

PRINTED IN CHINA





**Painting & marking Guide**

塗裝與標記

B<sub>1</sub> SH-2F No.1314 HSL-37 of U.S.N.

Fuel Tank

