

Instruction

模型拼裝說明書 1:48 Scale



UH-1Y “VENOM”



UH-1Y “毒液”（超級休伊）直升機

ZM80124

READ BEFORE ASSEMBLY

在組合您的模型之前，請充分閱讀本冊說明書。組合模型您需要如下物品（需另購）：模型膠水；一把模型鉗或一把用于將零件從框架上切下的模型筆刀。筆刀同樣可以用來修整零件的合模線。祝您制作愉快！

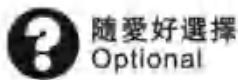
Before assembling your model kit, read through these instructions carefully. To assemble this kit, you will need Plastic glue (not include). A pair of side cutter or a sharp modelling knife is required for removing parts from the frame. Plastic mould lines can be removed with the modelling knife.



塗色
Painting



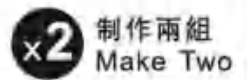
對側
Opposite



隨愛好選擇
Optional



鉗孔
Make Hole



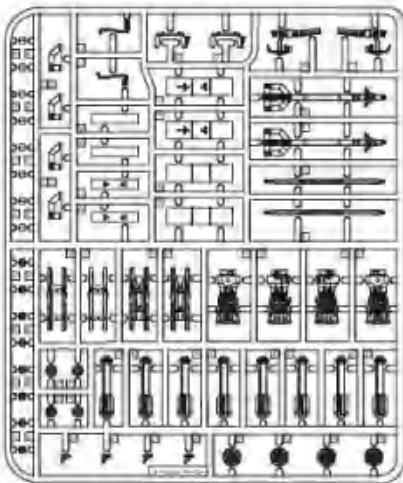
制作兩組
Make Two



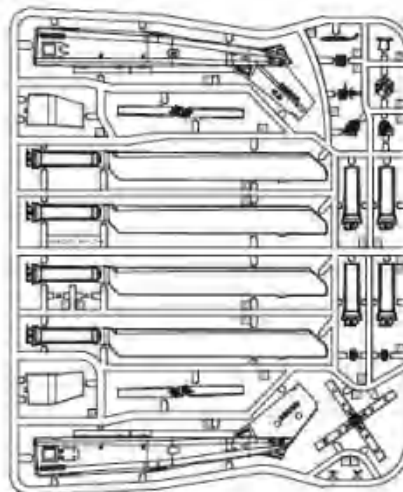
彎曲
Bend

部品圖 Parts

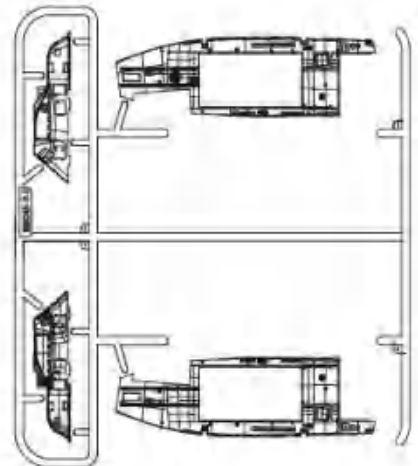
A



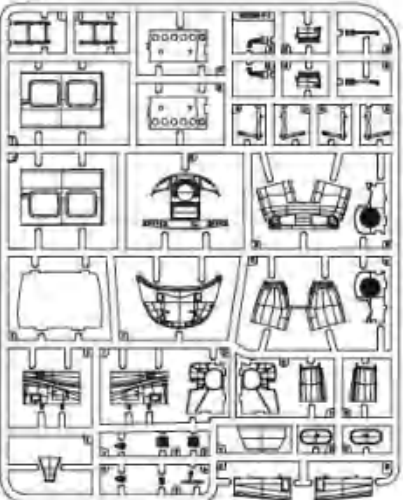
B



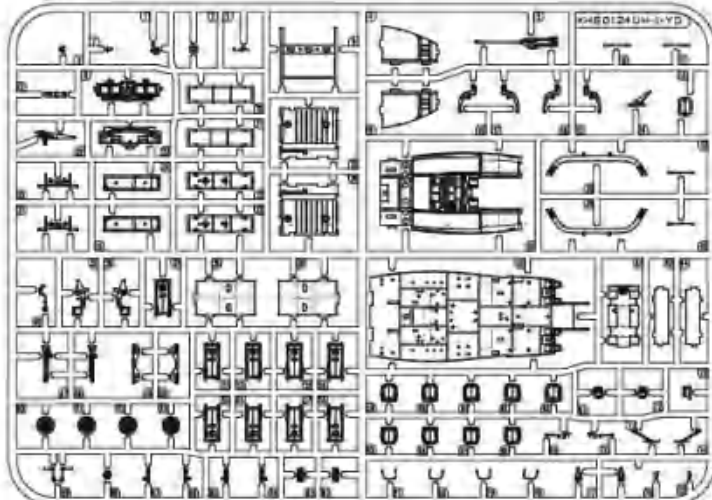
B1



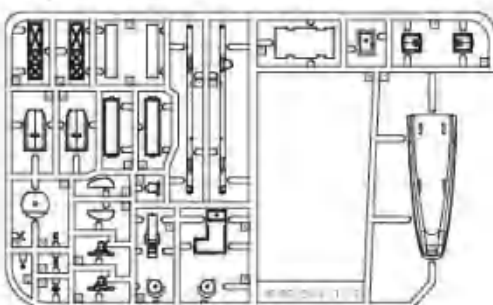
C



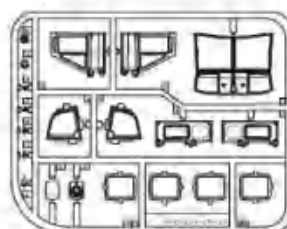
D



E



GP



Decal A
水貼紙A

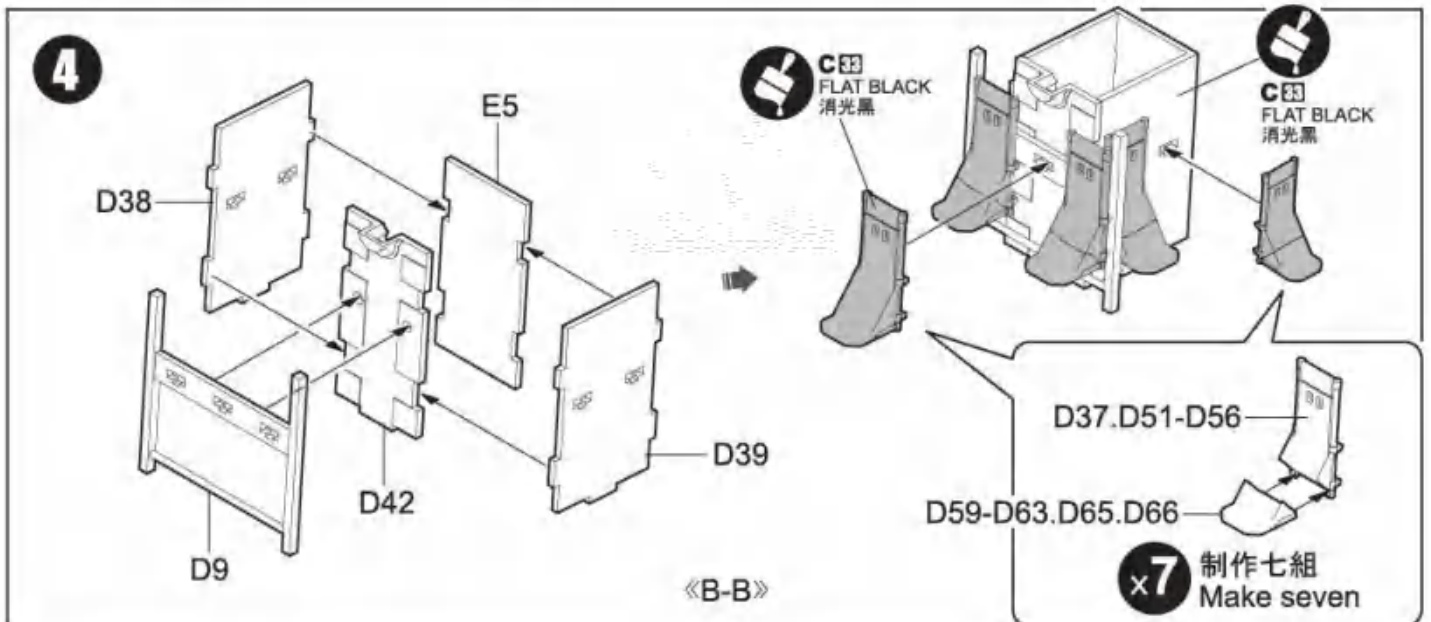
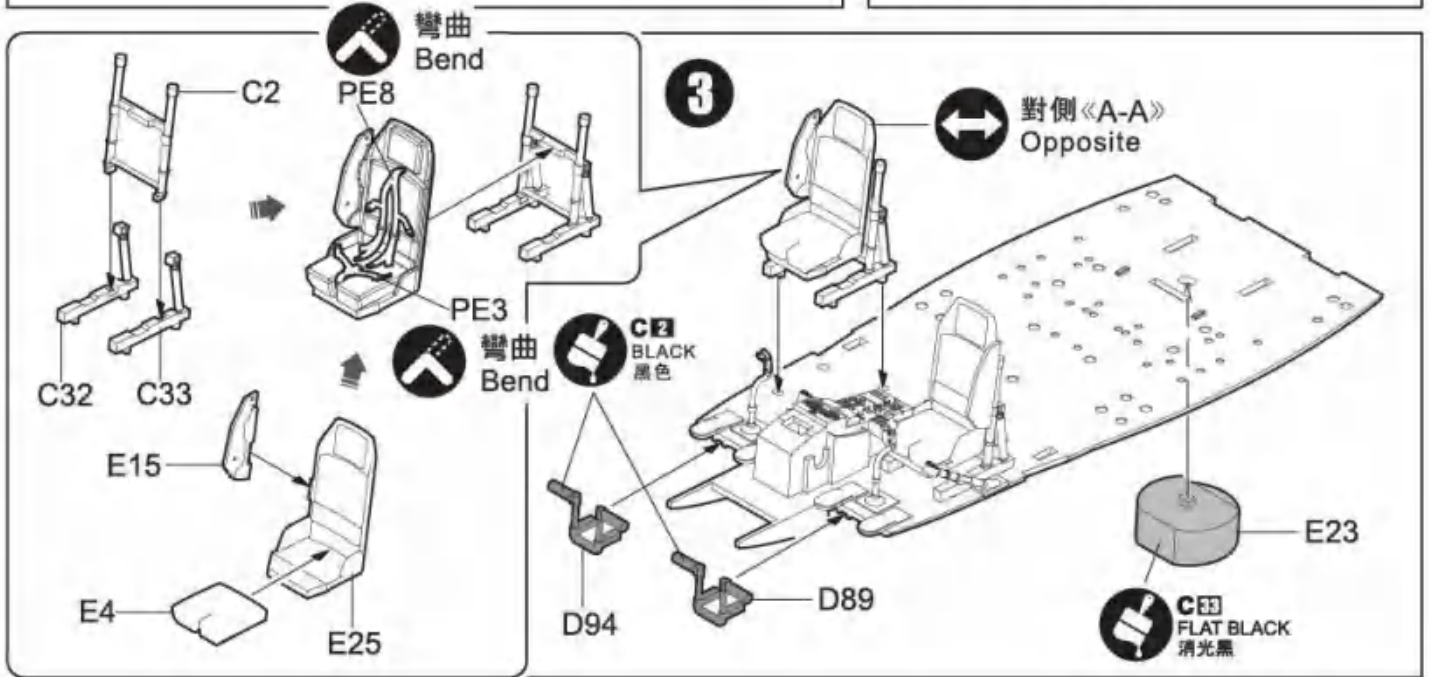
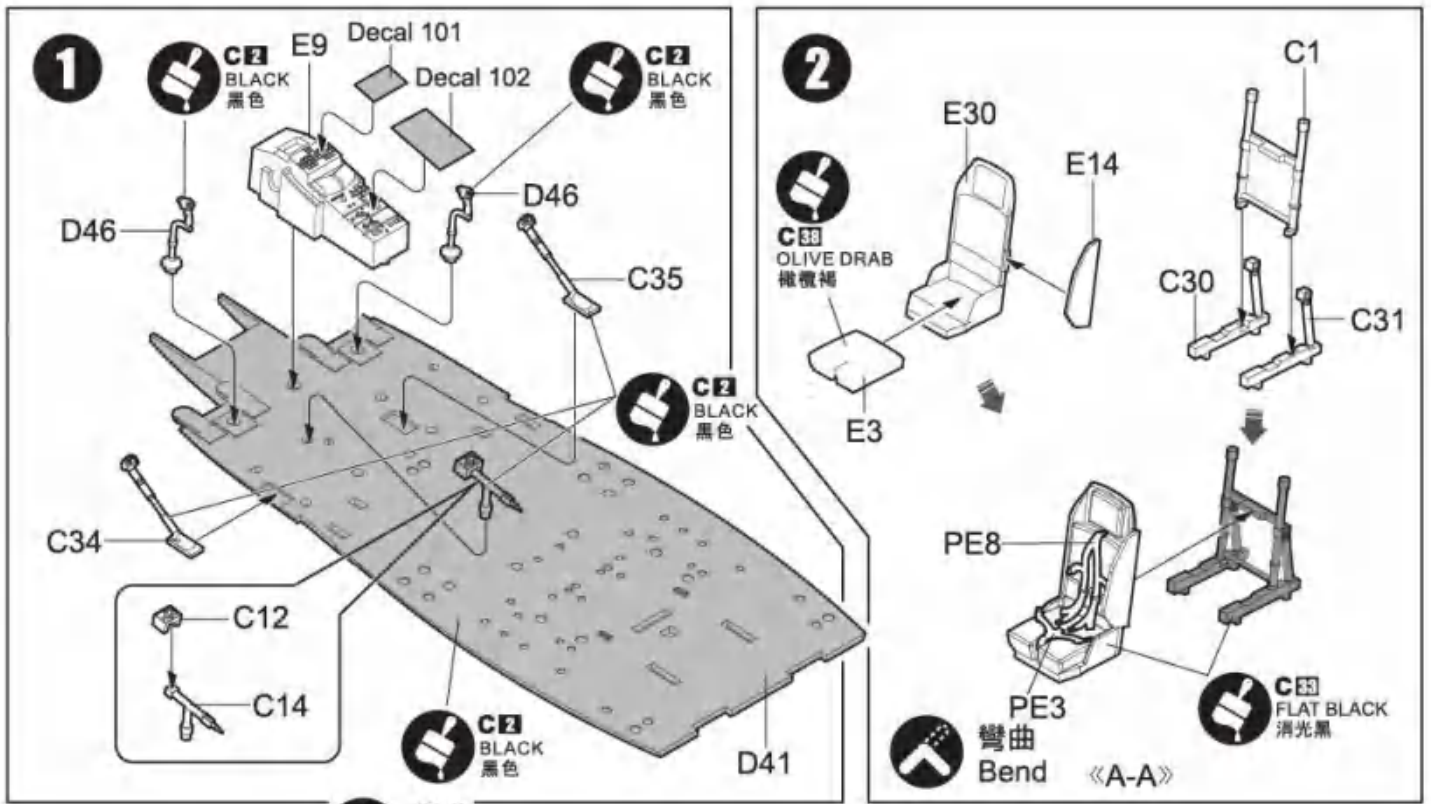


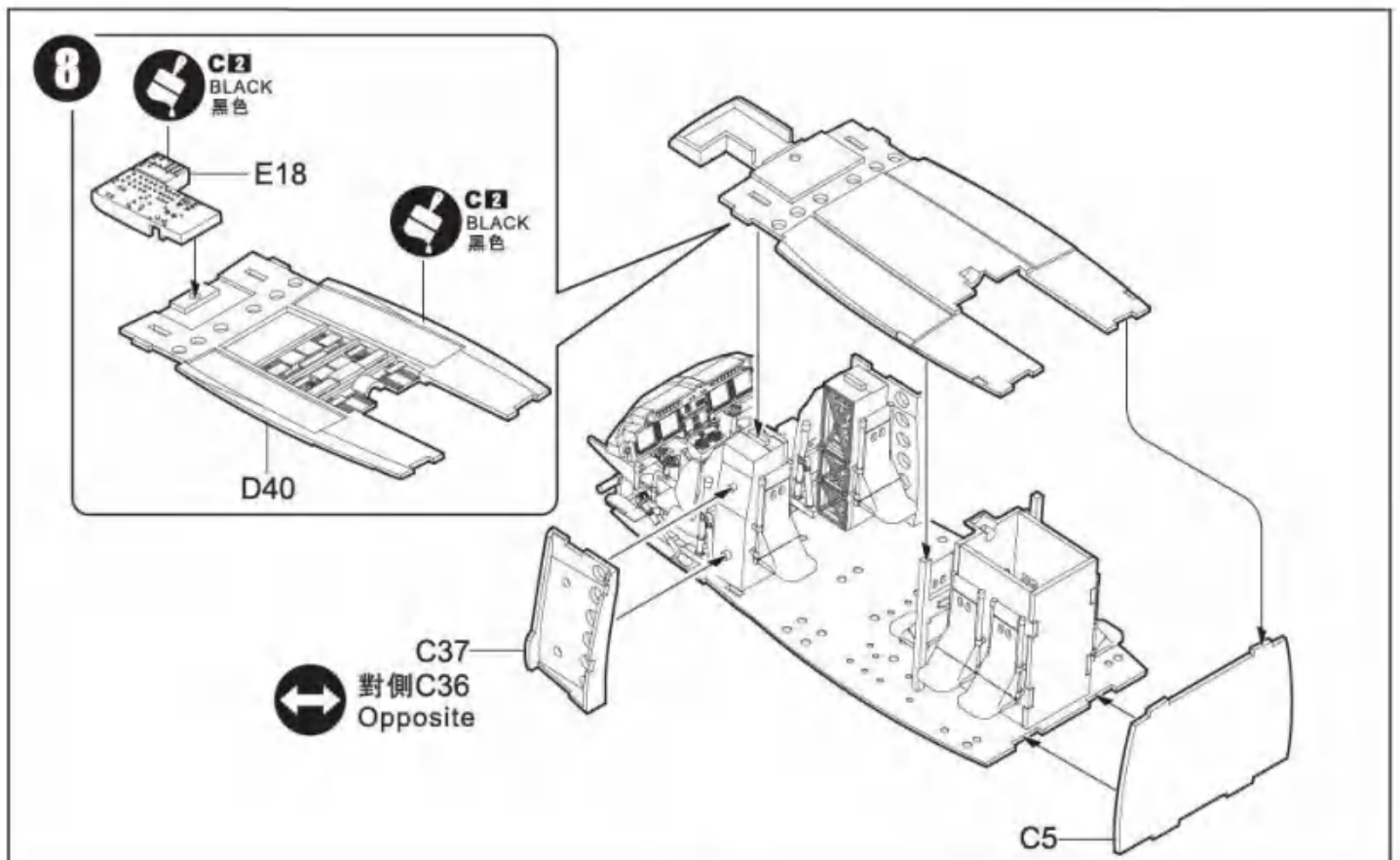
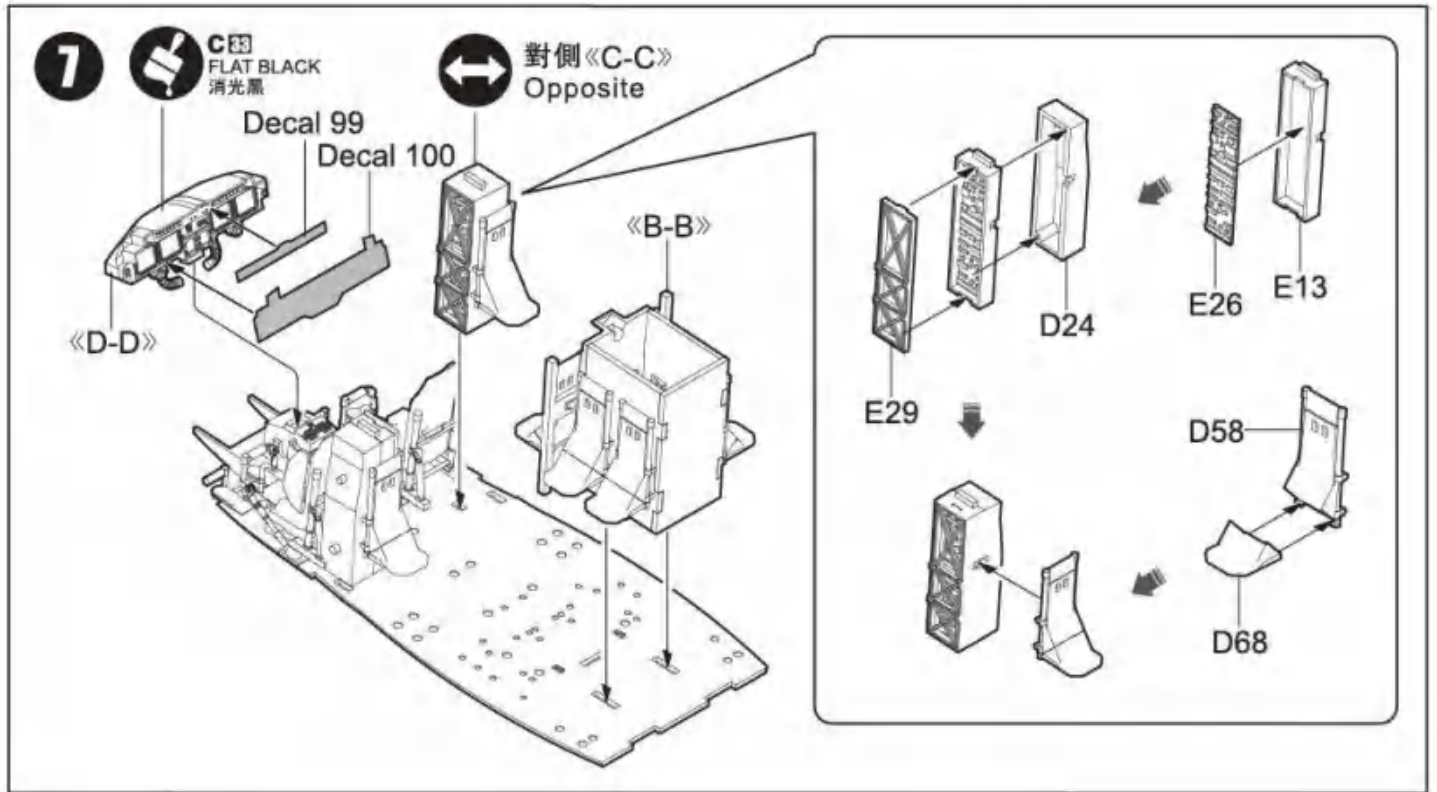
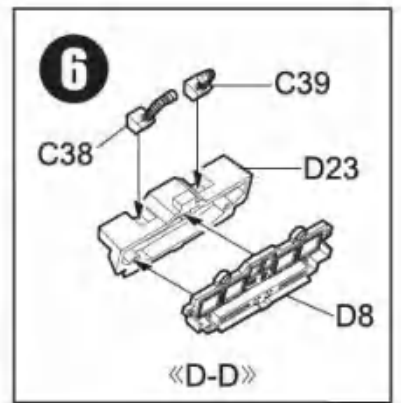
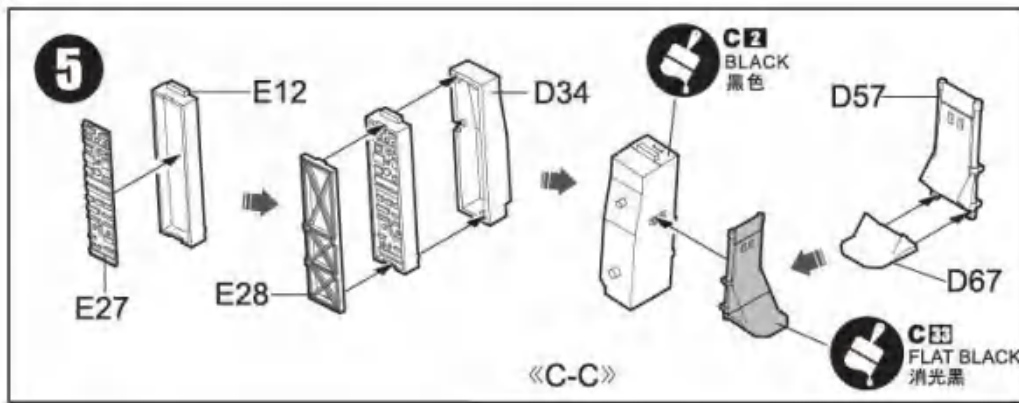
Decal B
水貼紙B



PE
蝕刻片

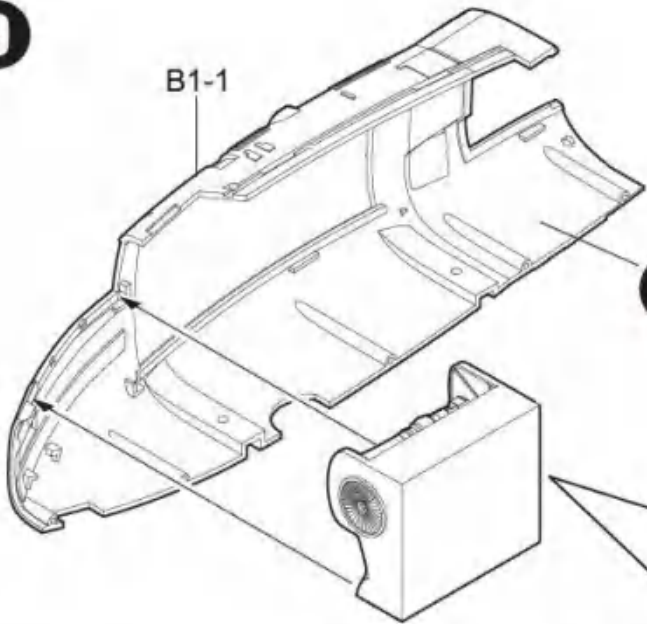




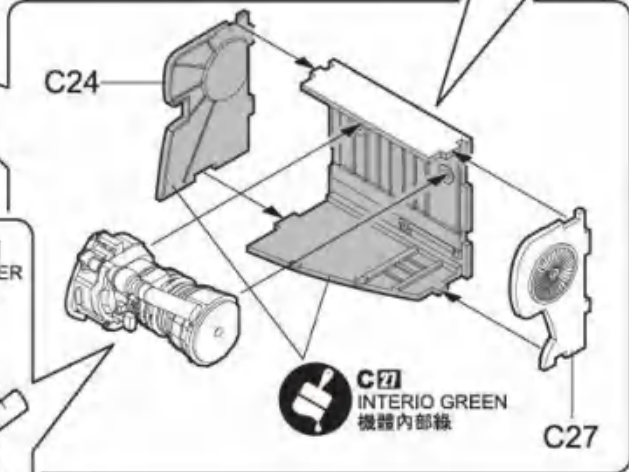
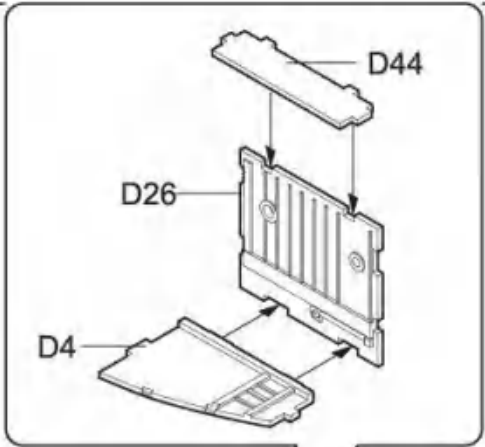


9

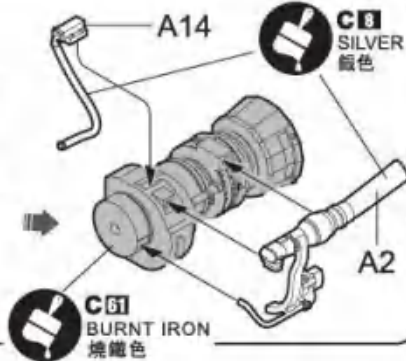
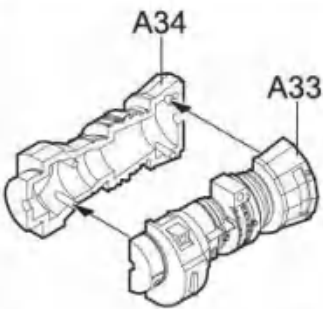
B1-1



C2
BLACK
黑色



C7
INTERIO GREEN
機體內部綠



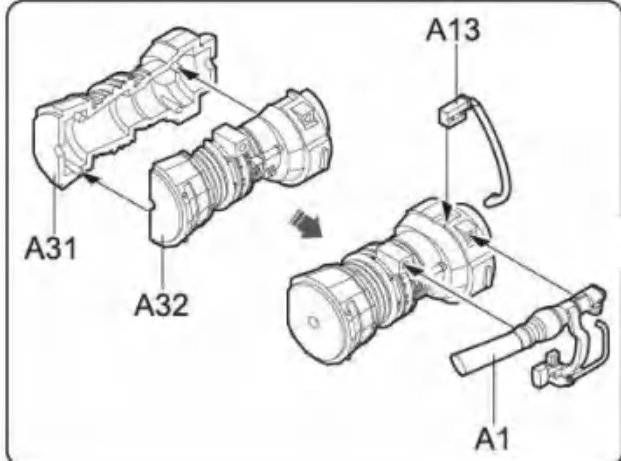
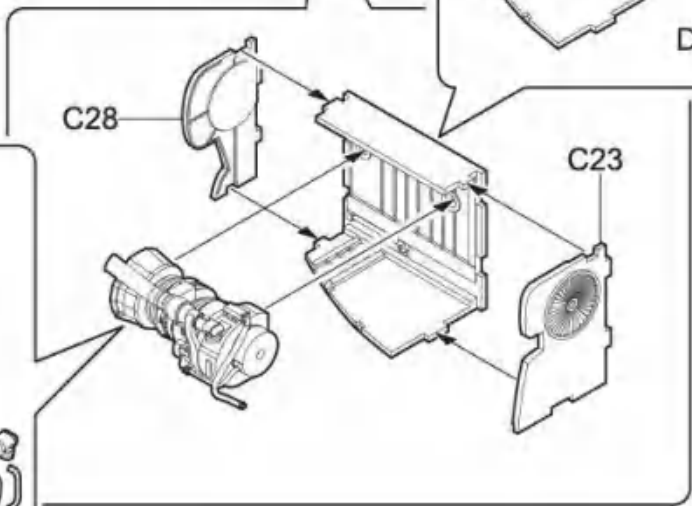
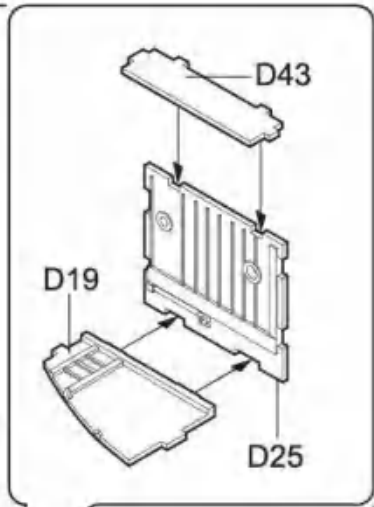
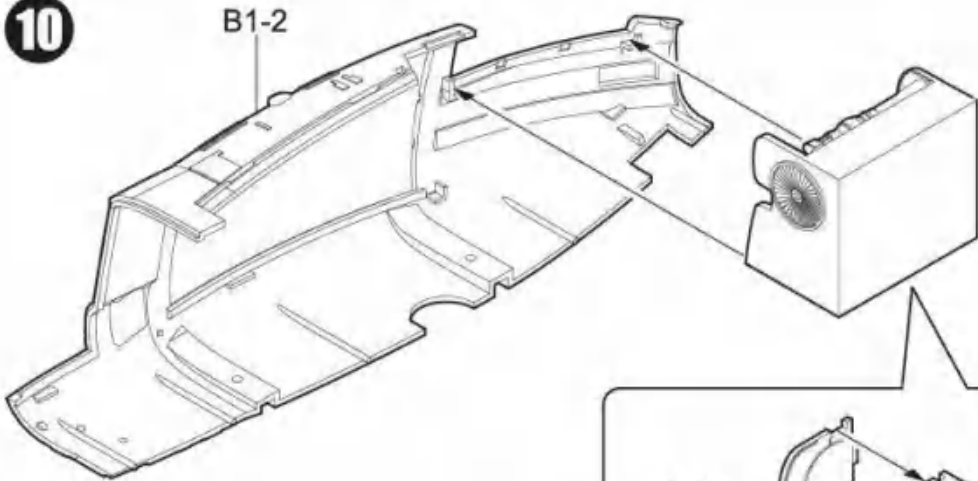
C3
SILVER
銀色

C6
BURNT IRON
燒鐵色

《E-E》

10

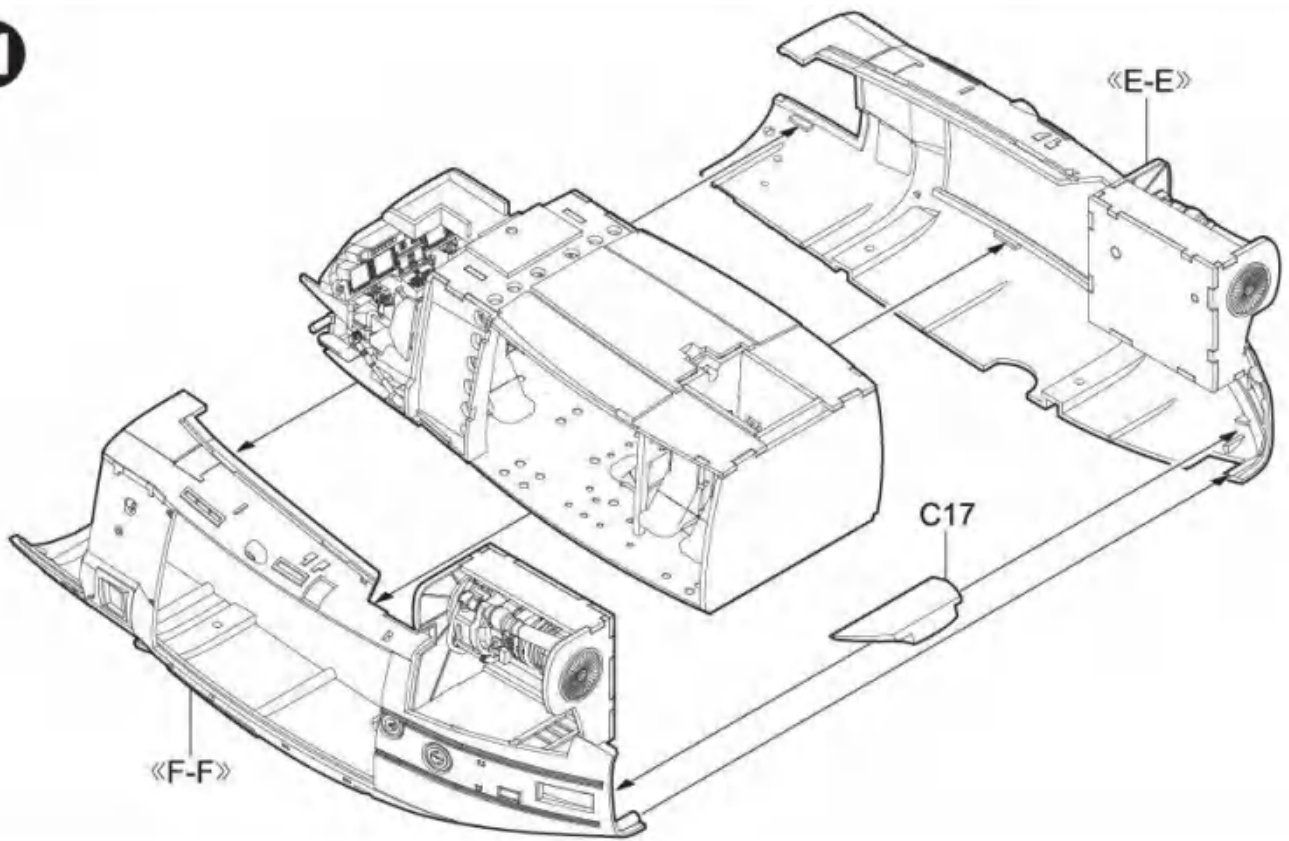
B1-2



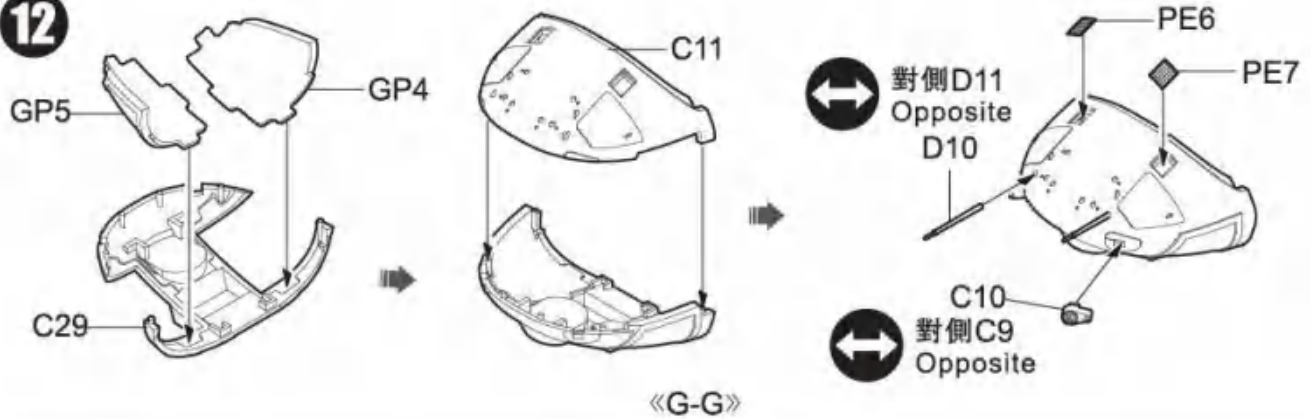
A13

《F-F》

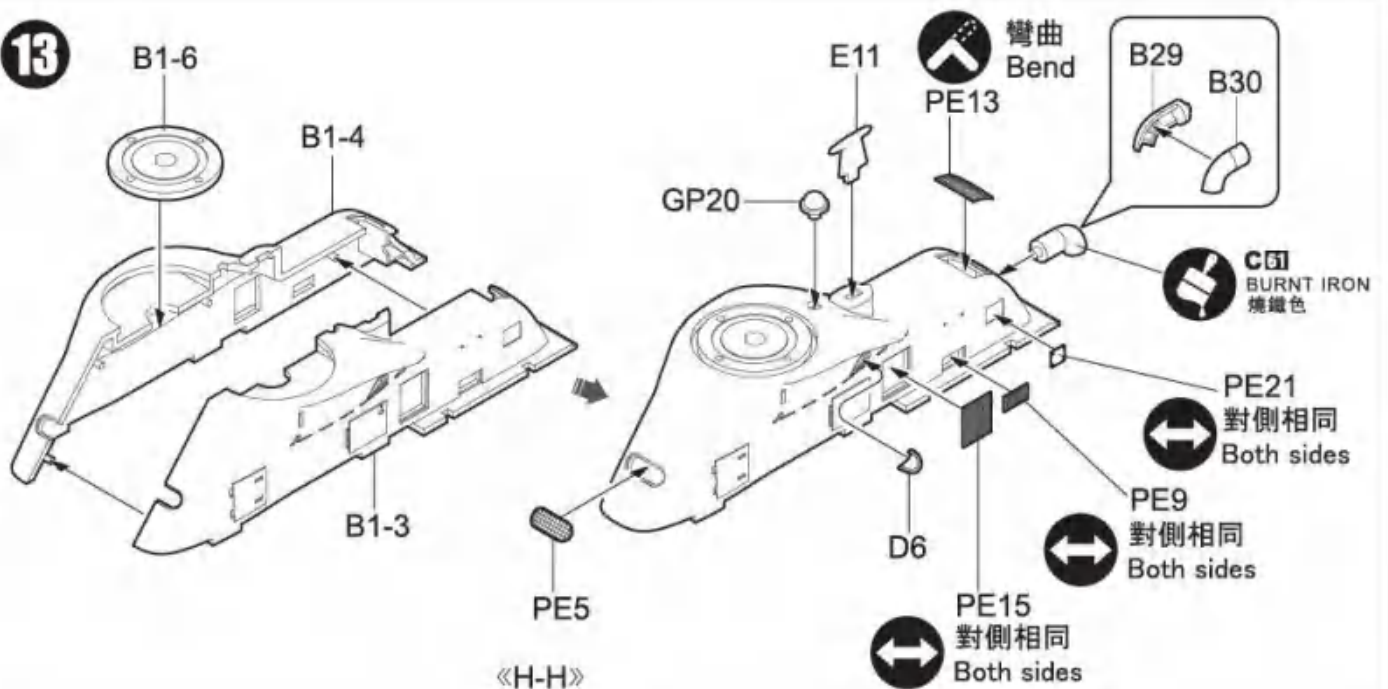
11

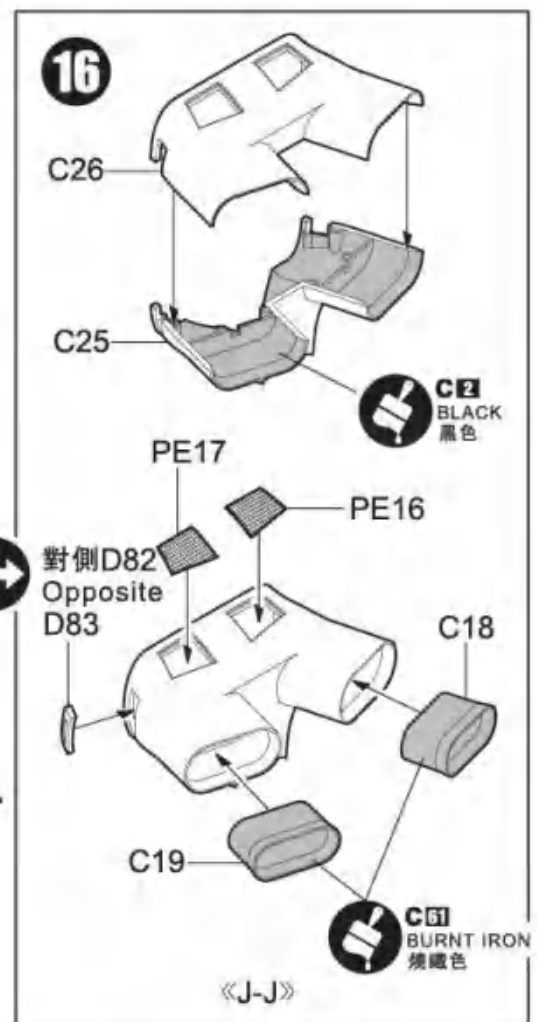
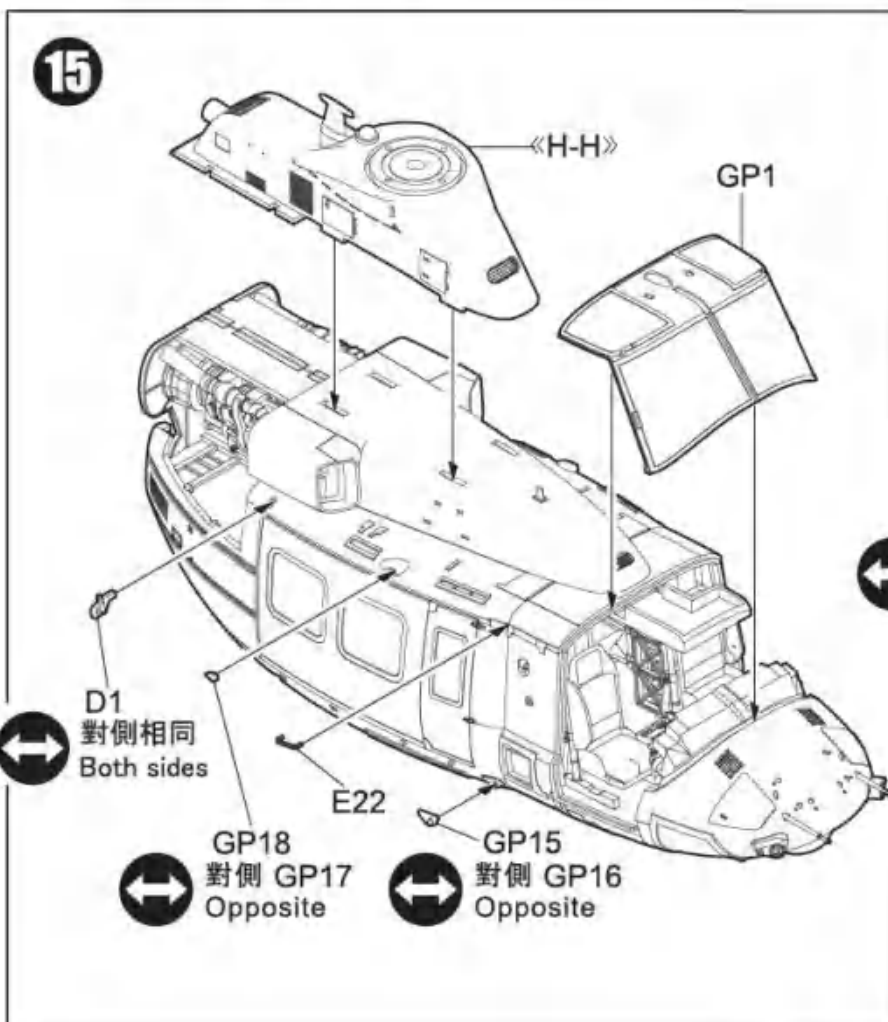
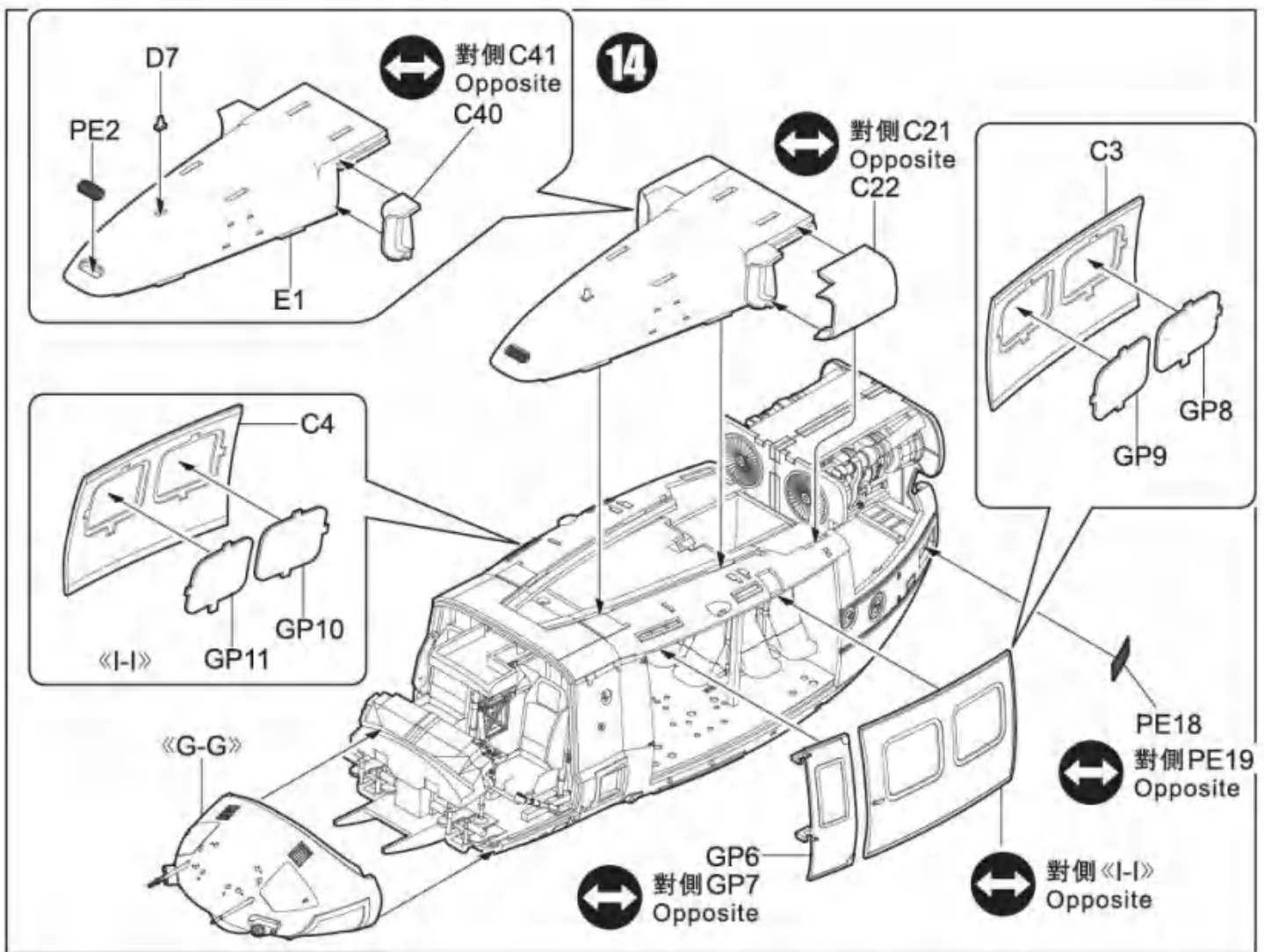


12

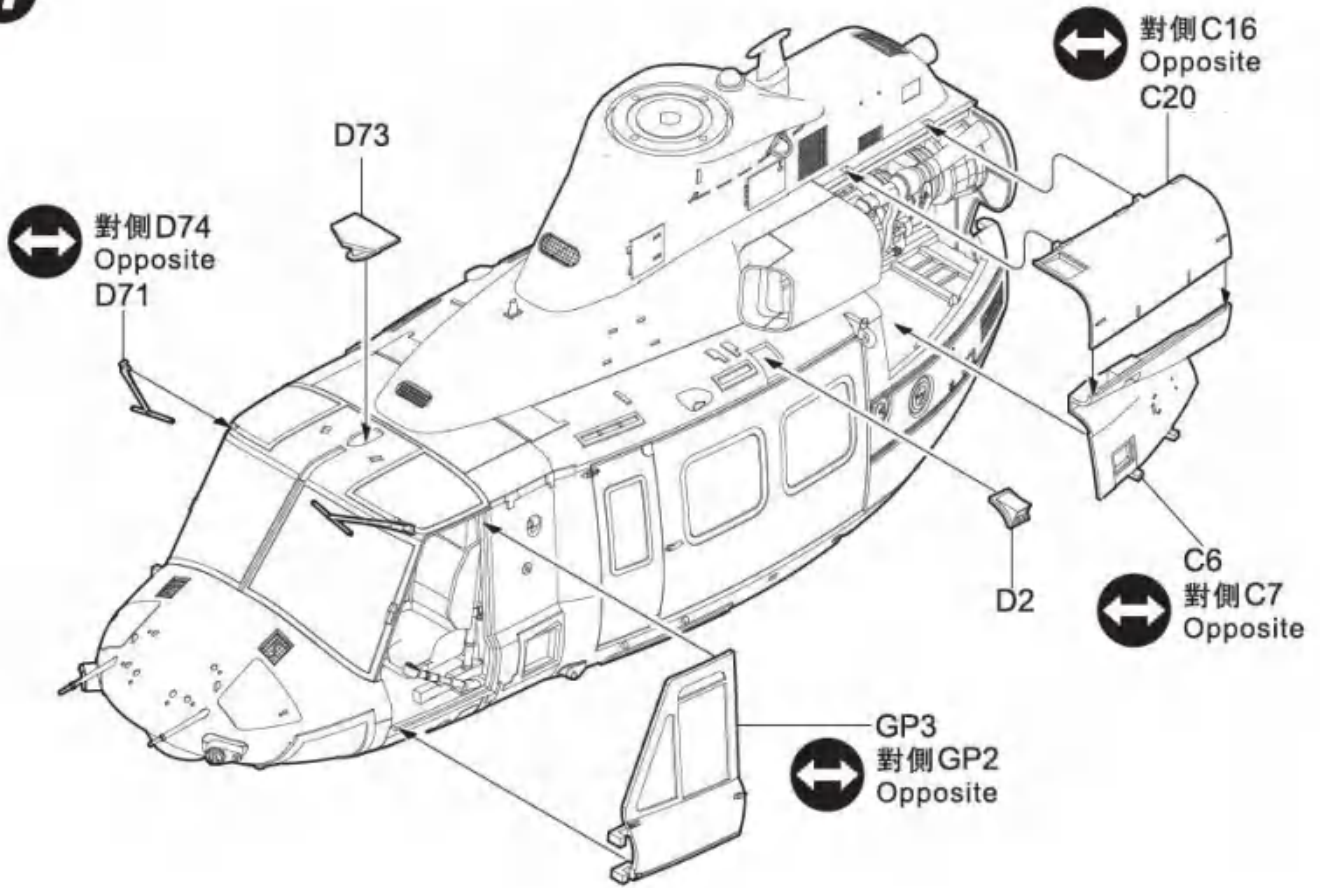


13

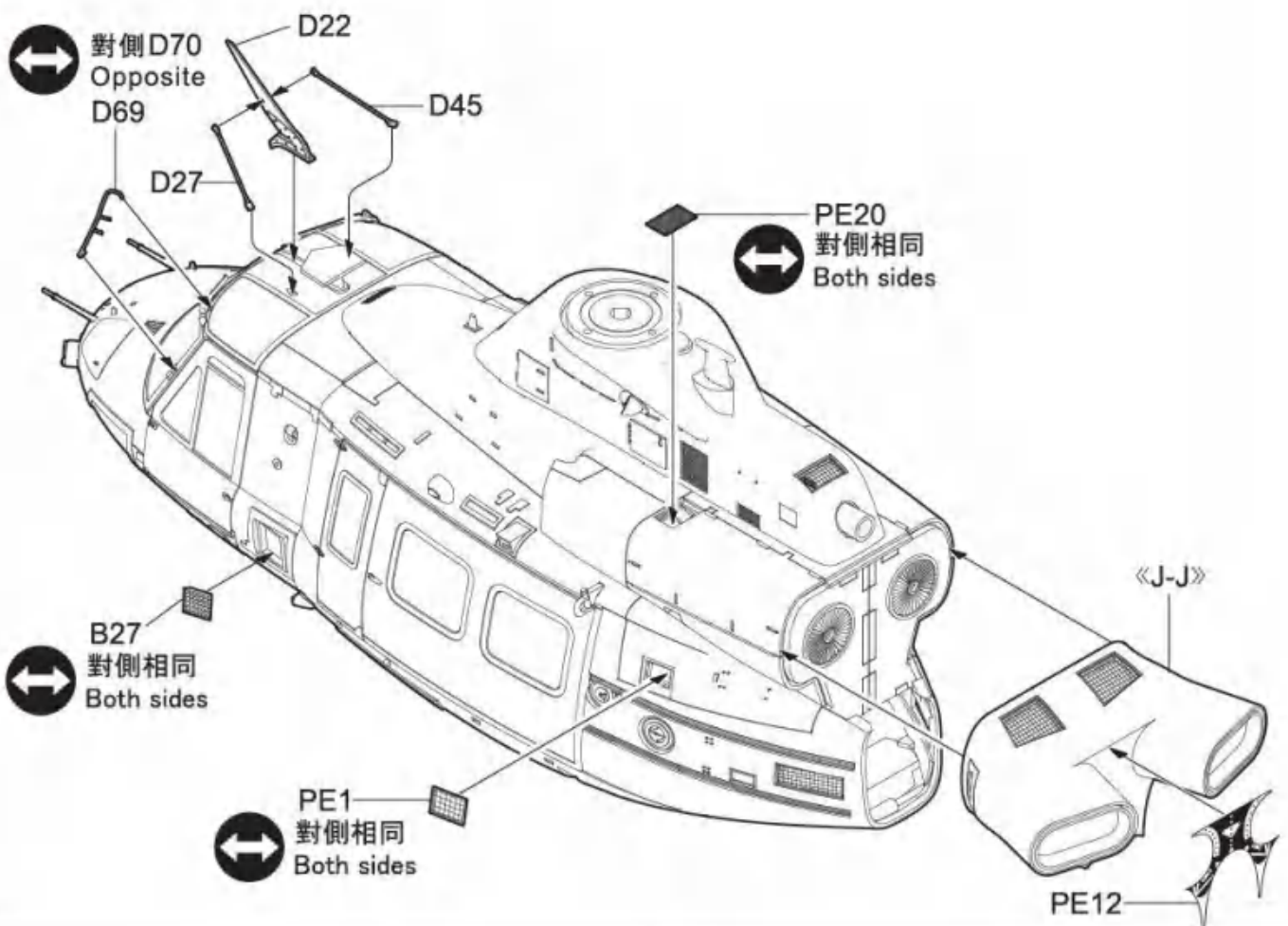




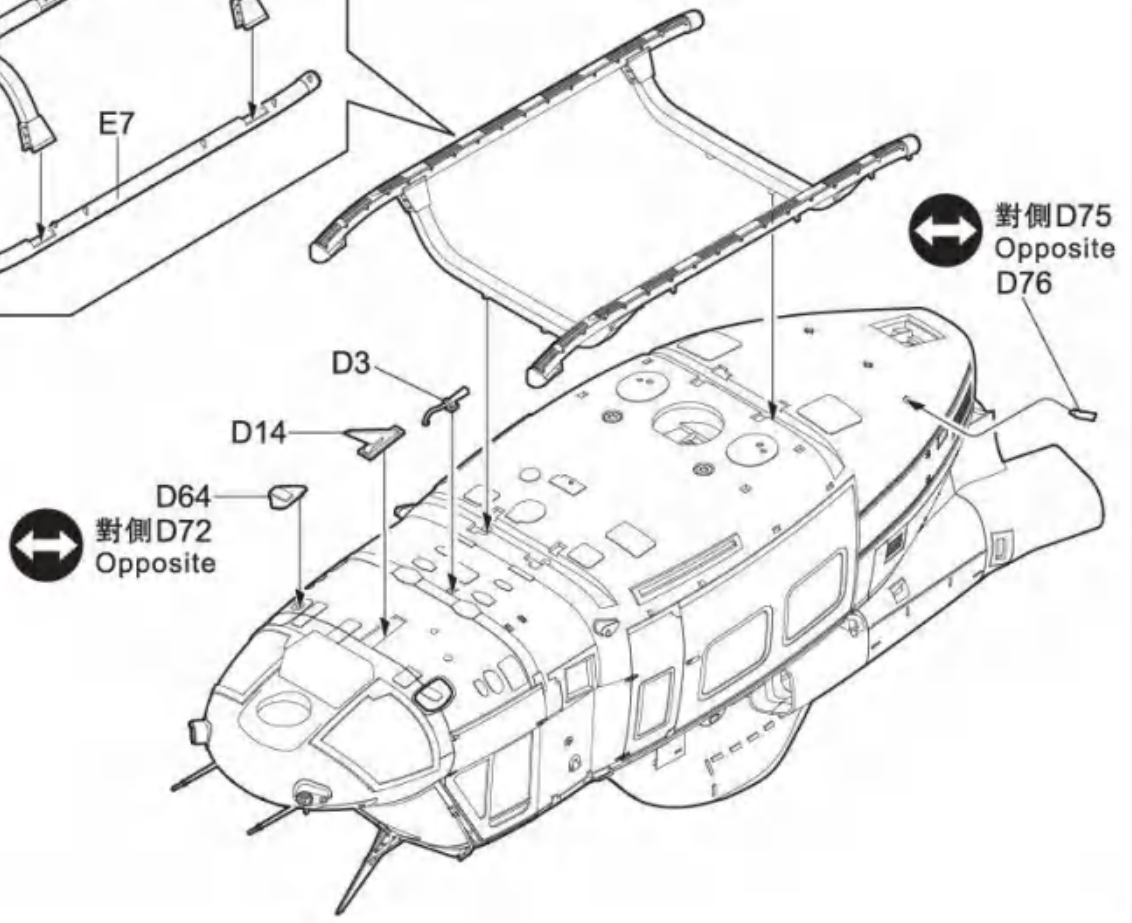
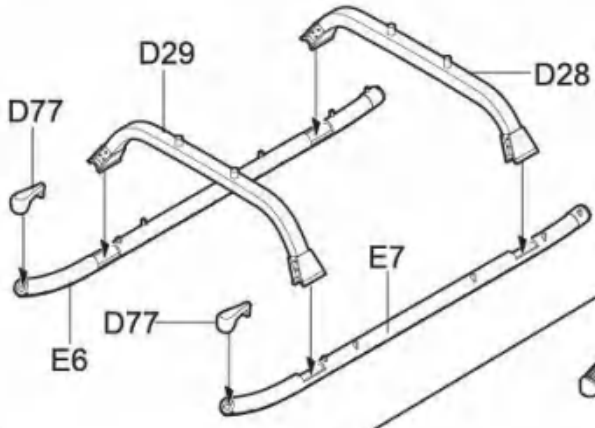
17



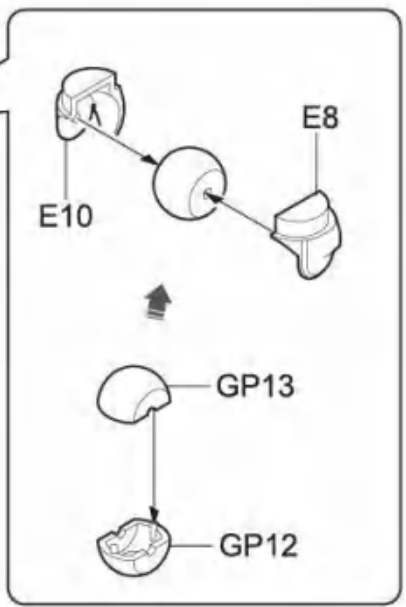
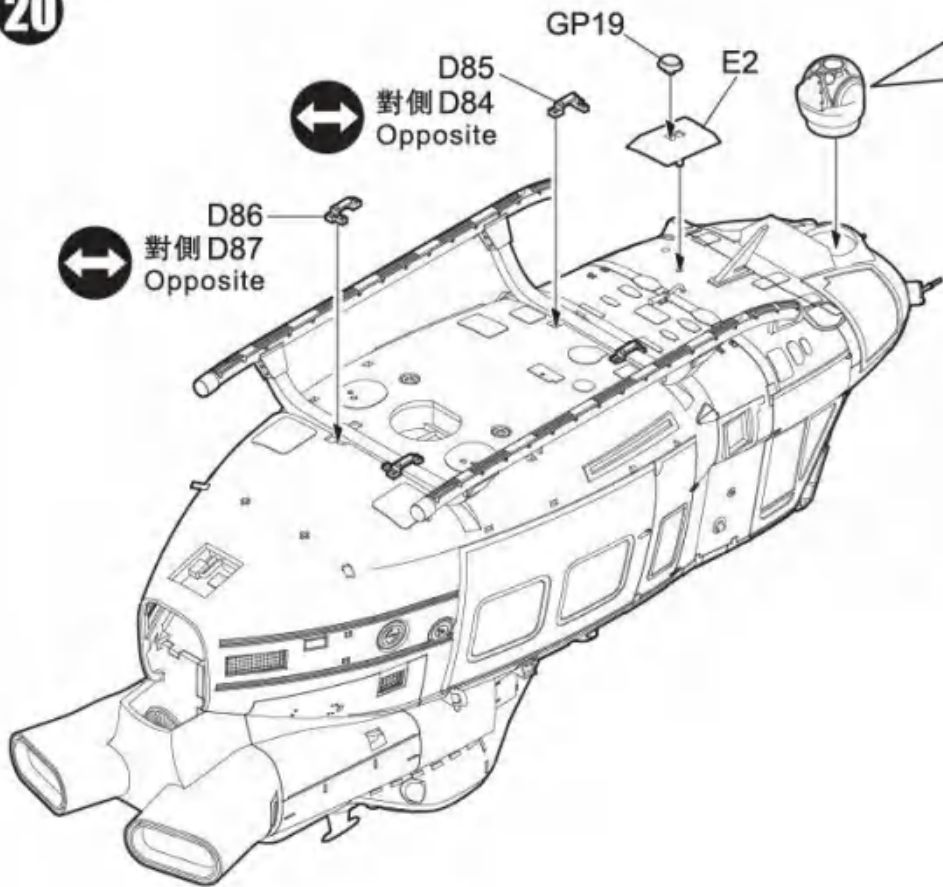
18



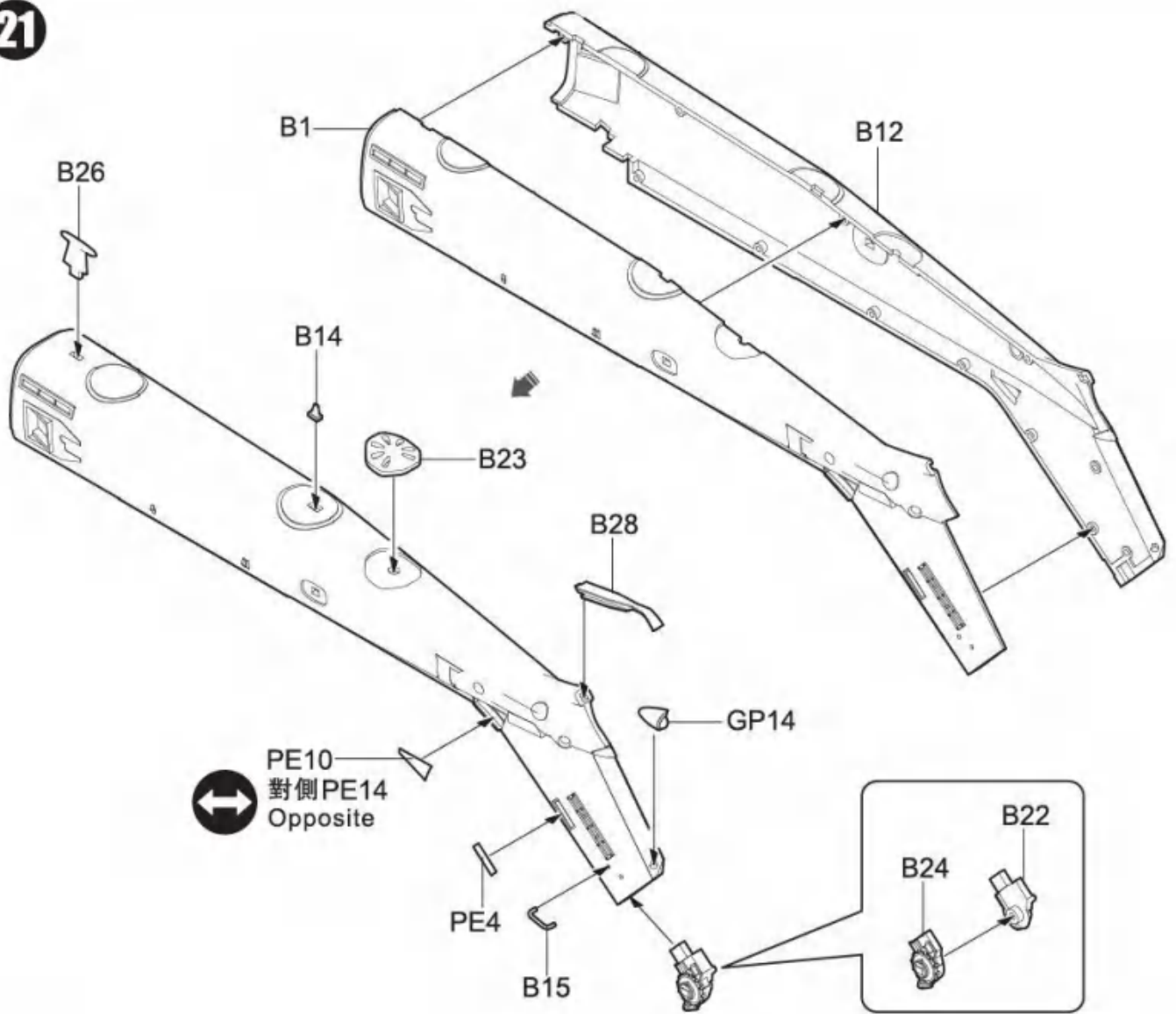
19



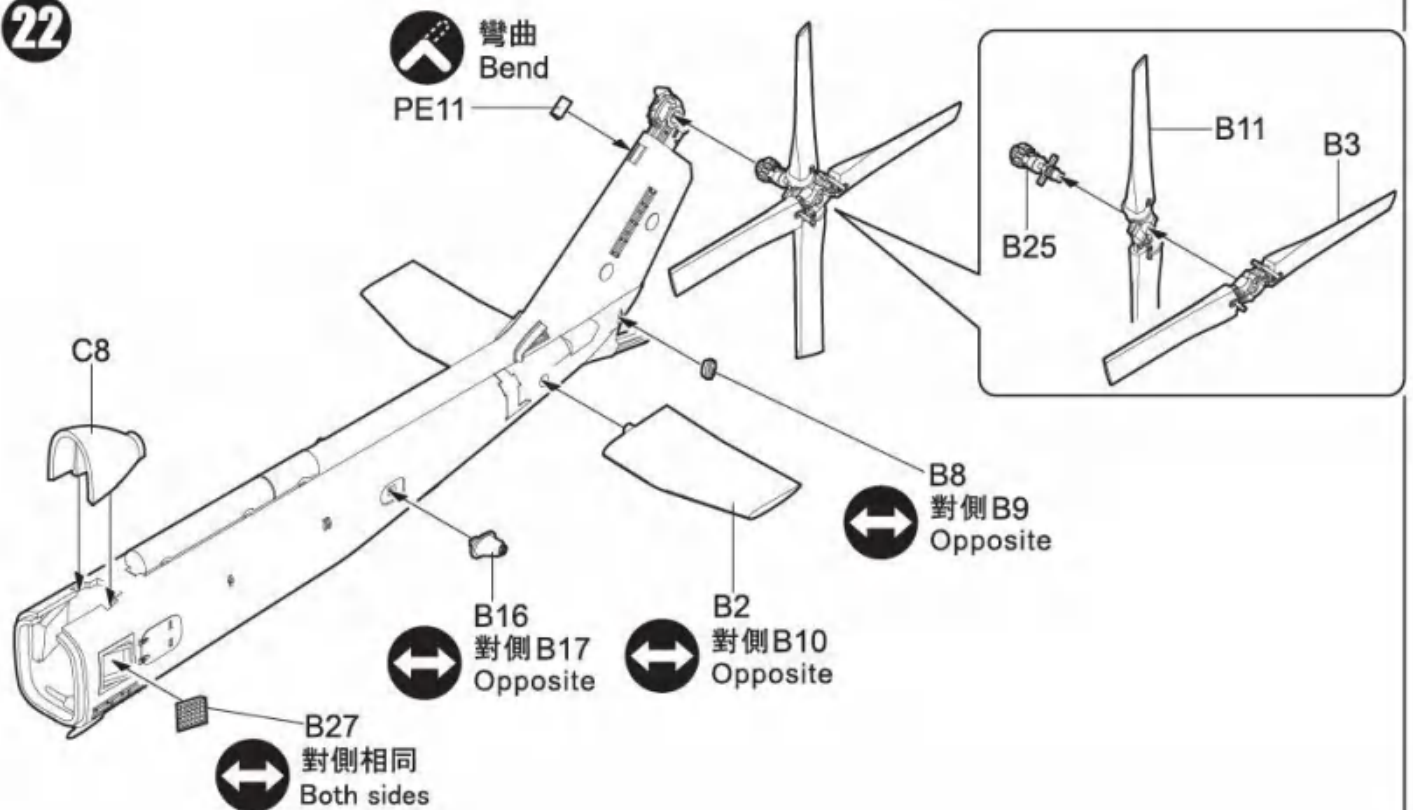
20



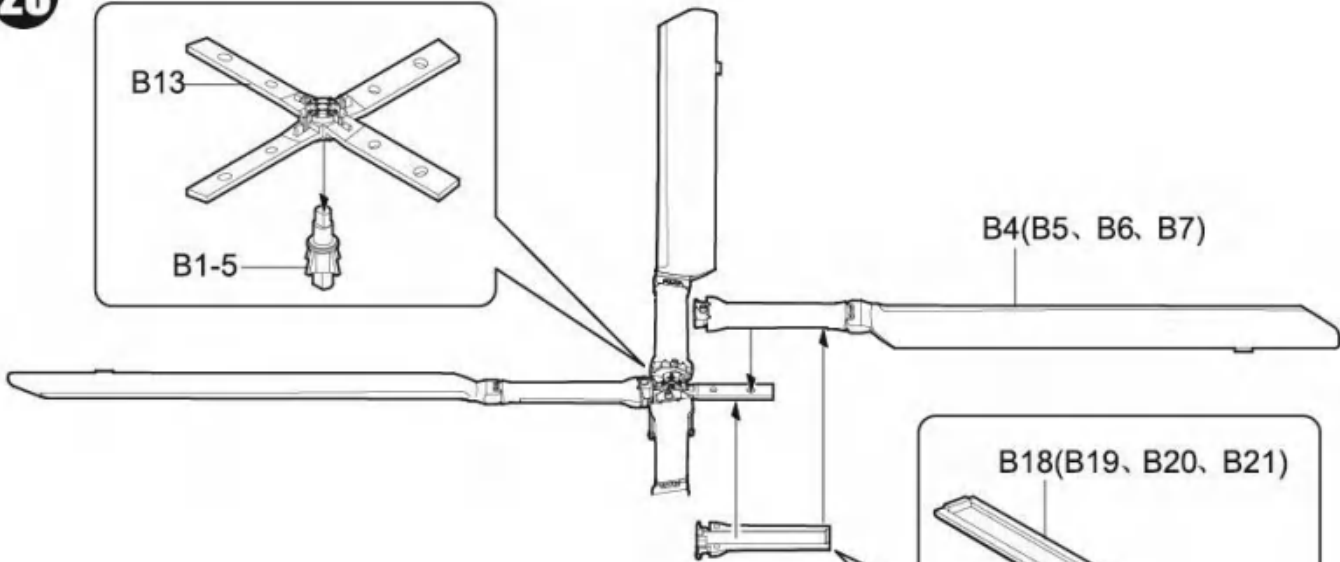
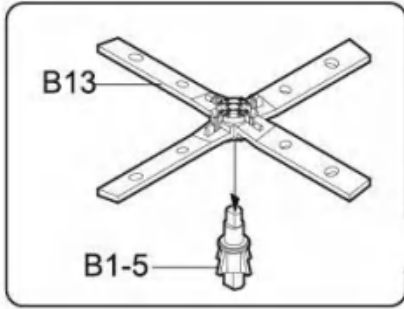
21



22



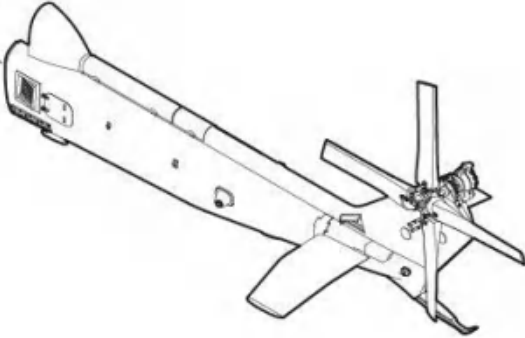
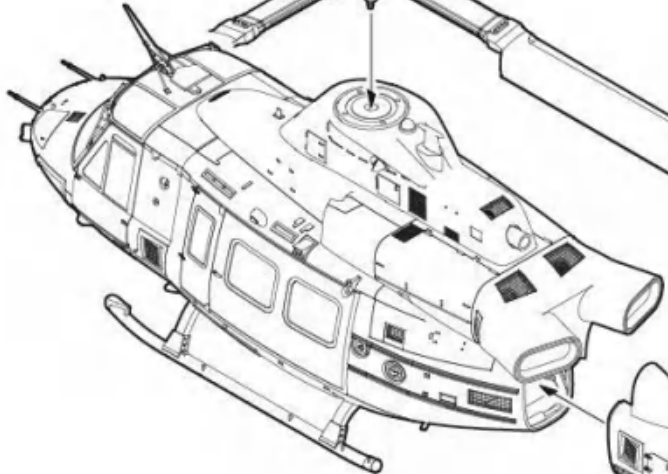
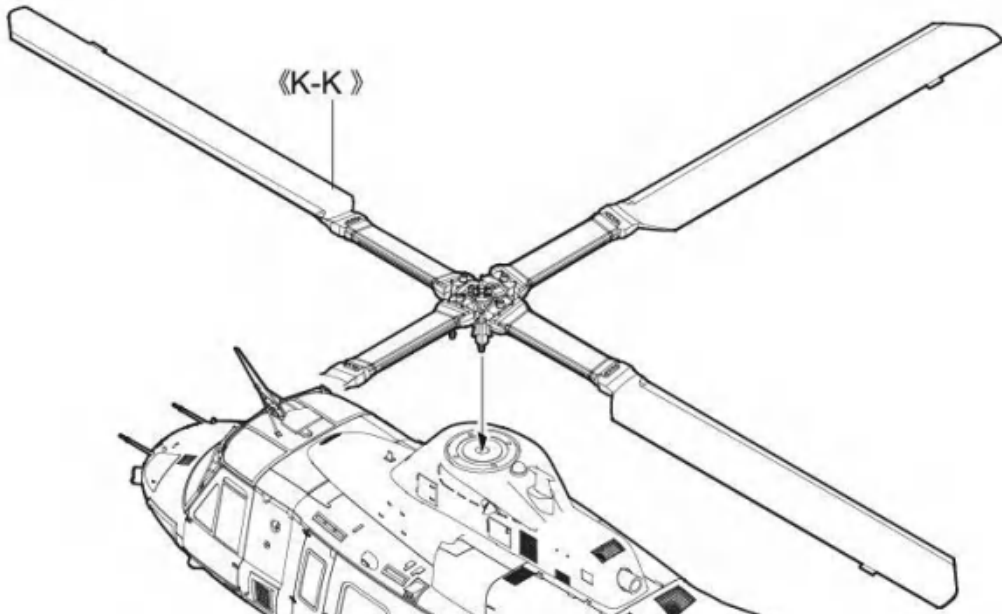
23

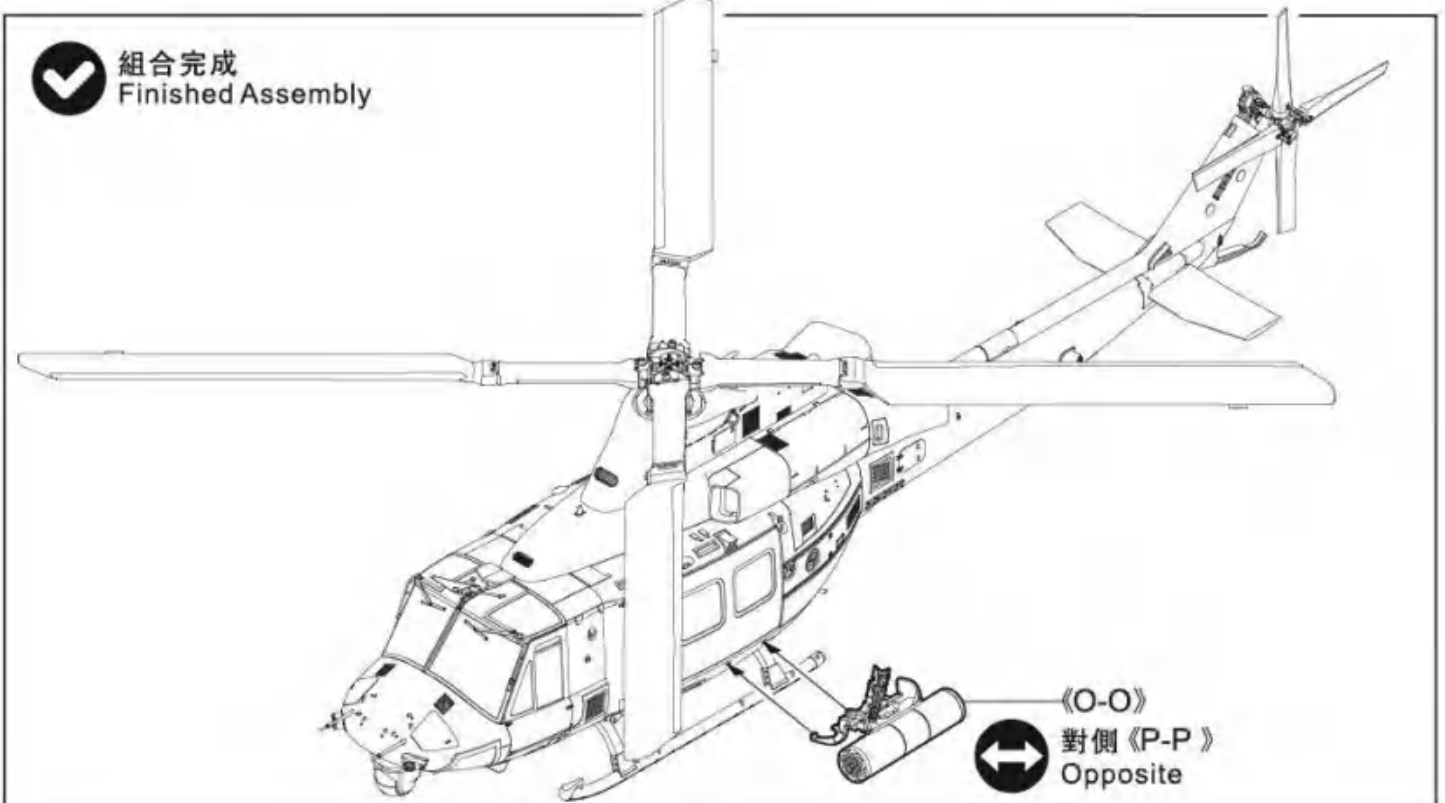
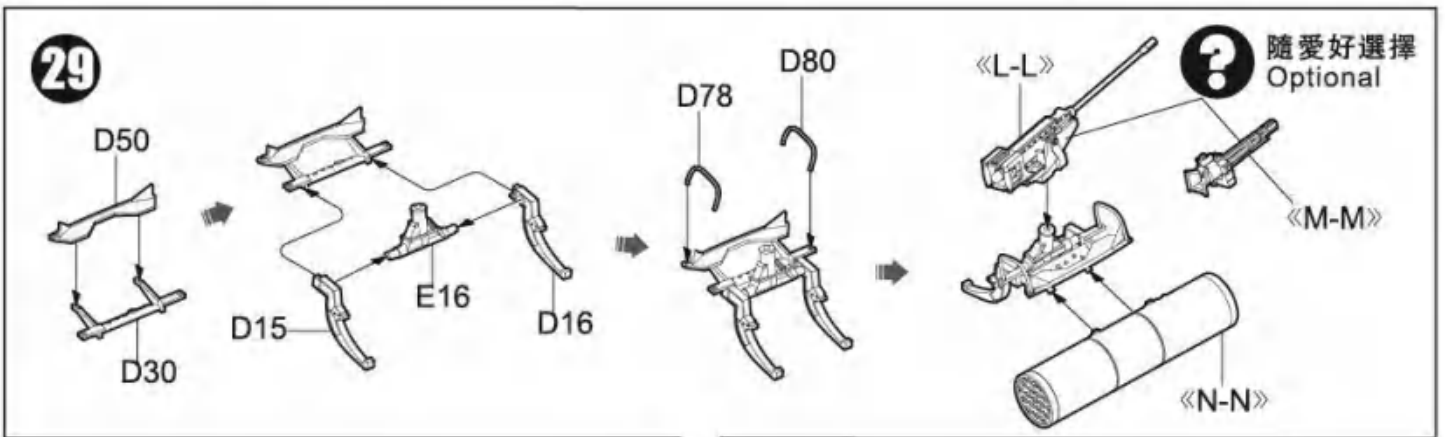
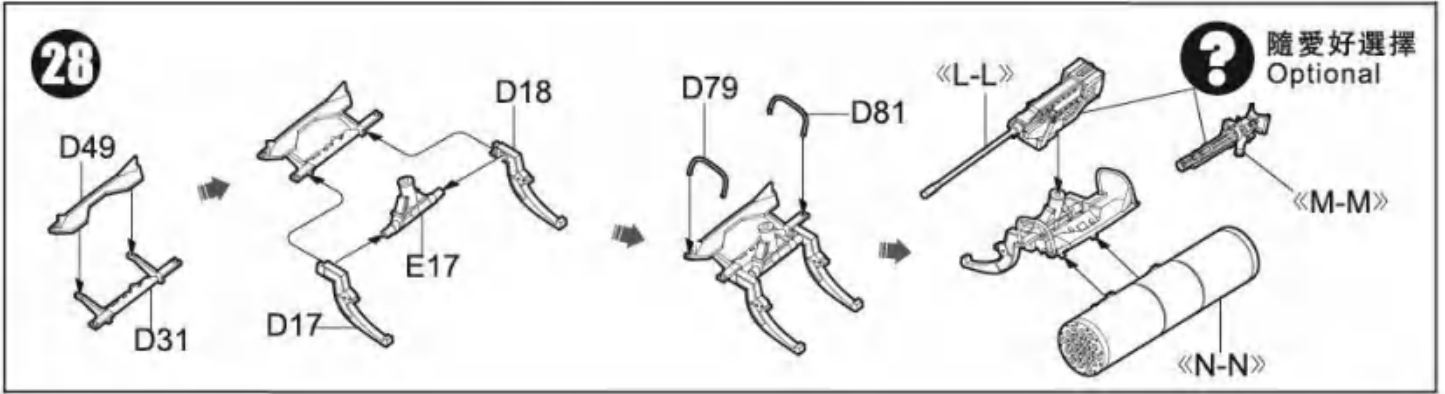
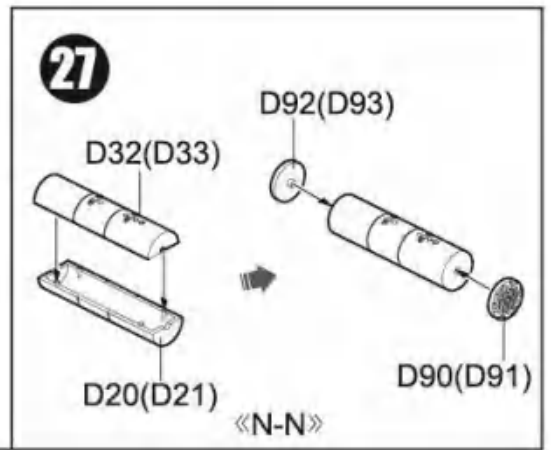
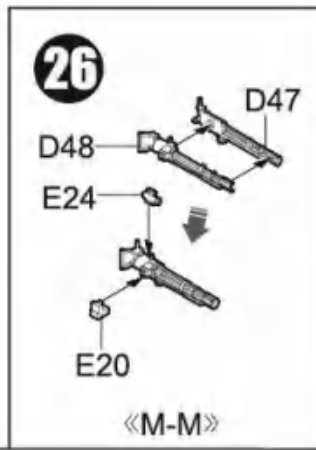
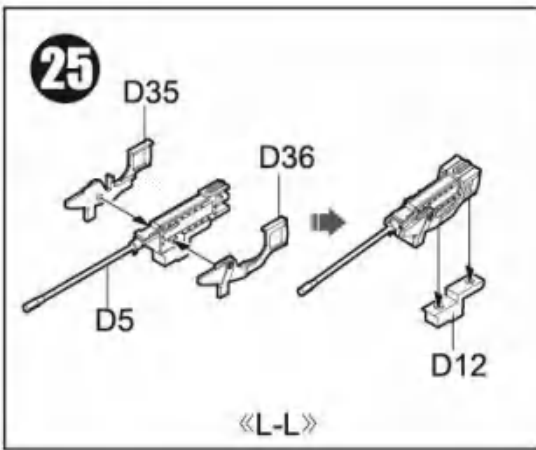


x4 制作四組
Make four

《K-K》

24





Painting & marking Guide



Painting & marking Guide

塗装ガイド



UH-1Y Venom, HMLA-167 Warriors USMC JP-1293.

GUNZE SANGYO Mr. Color used

Painting & marking Guide



UH-1Y Venom, USA Marine CORPS.
GUNZE SANGYO Mr. Color used

Painting & marking Guide

