

**1:48**



# AH-1Z VIPER



美國AH-1Z “蝰蛇” 直升機組裝說明書

**Instruction**

ITEM NO. ZM80125

# READ BEFORE ASSEMBLY

在組合您的模型之前，請先閱讀本圖說明書。組合模型您需要如下物品（圖另購）：模型膠水；一把鑄造鉗或一把用于將零件從框架上切下的精細剪刀。雕刻刀也可以用來修整零件的合模線。祝您製作愉快！

Before assembling your model kit, read through these instructions carefully. To assemble this kit, you will need Plastic glue (not include). A pair of side cutter or a sharp modelling knife is required for removing parts from the frame. Plastic mould lines can be removed with the modelling knife.



塗色  
Painting



對側  
Opposite



隨意好選擇  
Optional



黏孔  
Make Hole



製作兩組  
Make Two

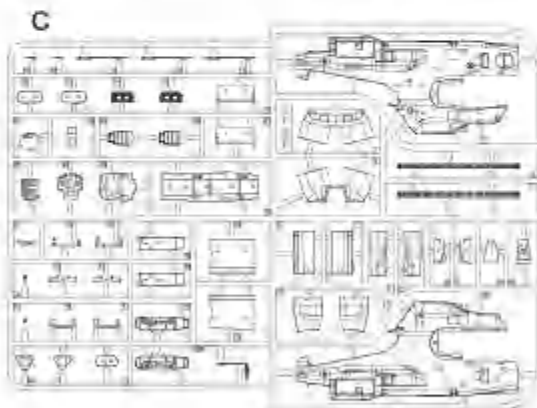
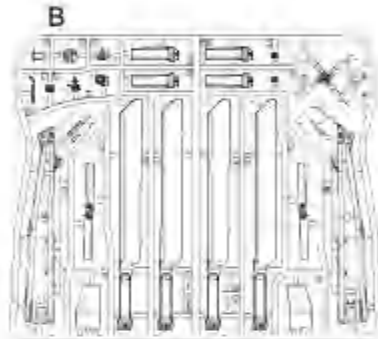
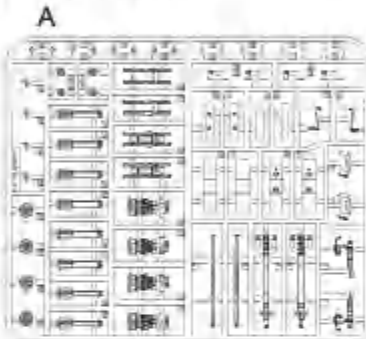


彎曲  
Bend



組合完成  
Finished Assembly

## 部品圖 Parts



PE  
蝕刻片

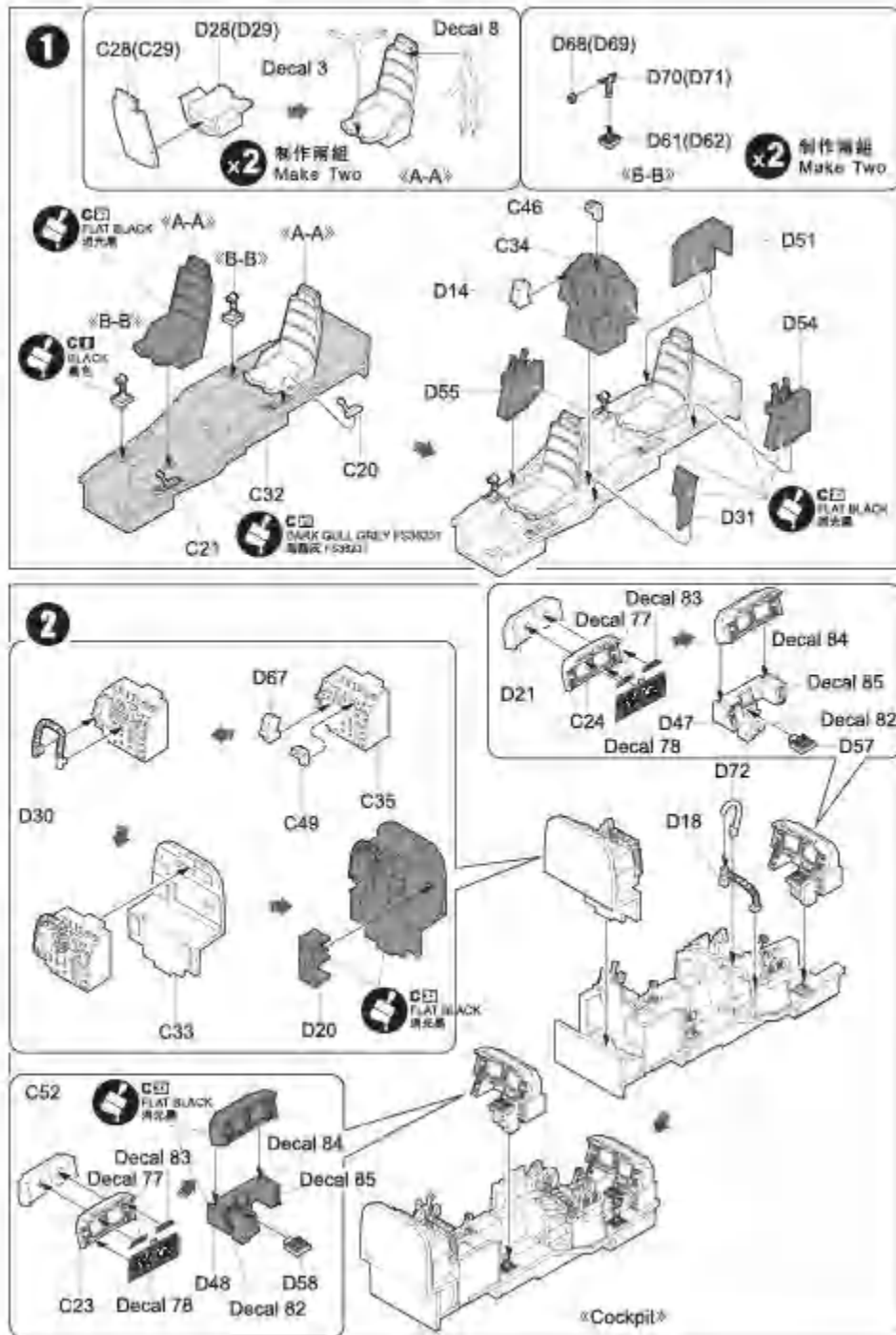


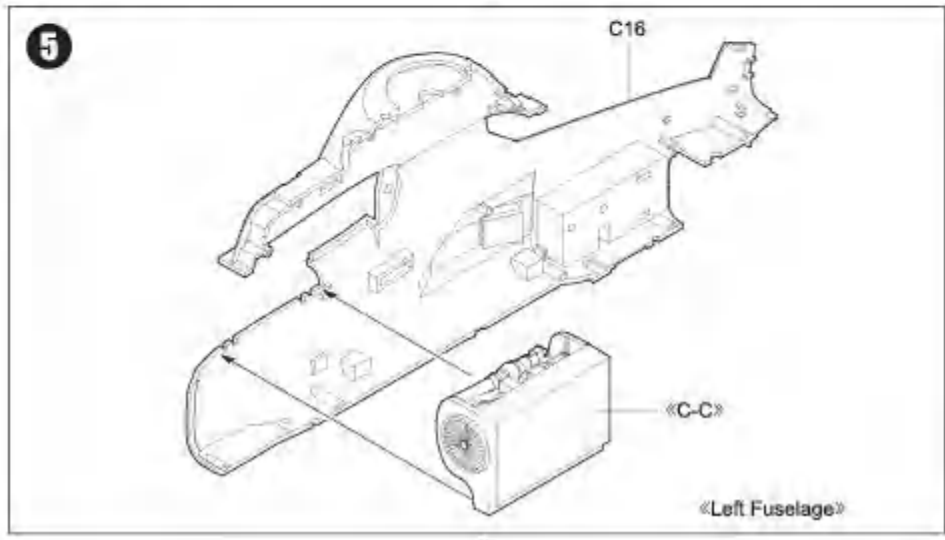
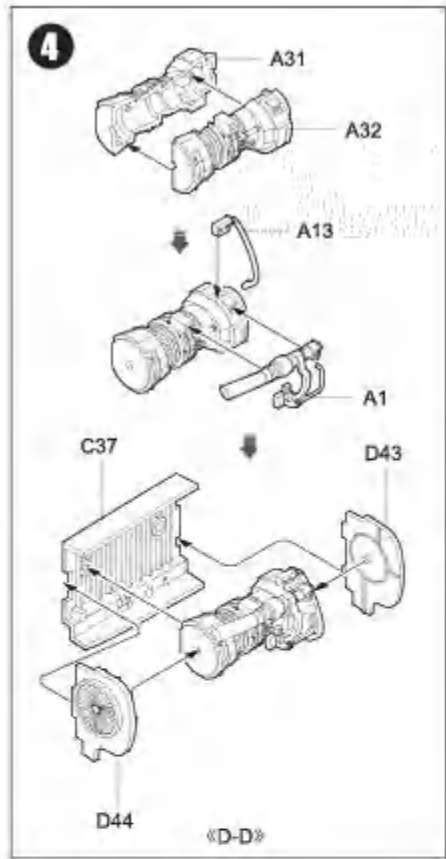
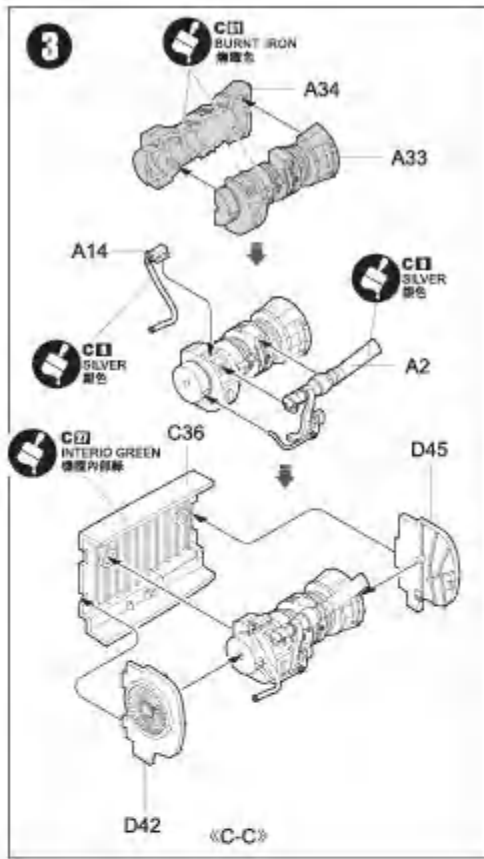
Decal A  
水貼紙A

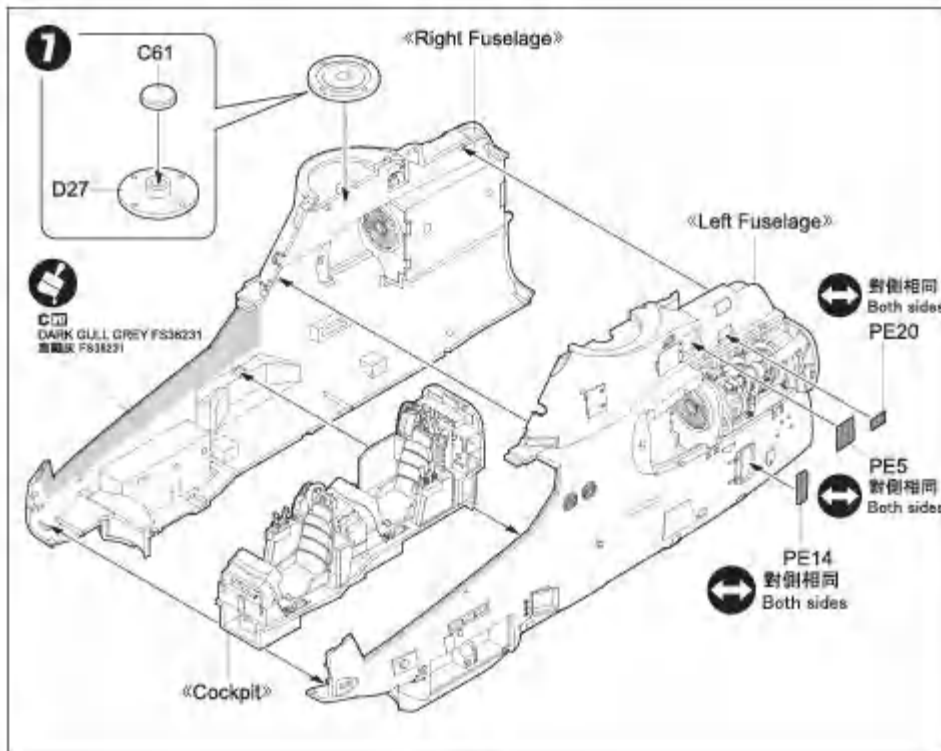
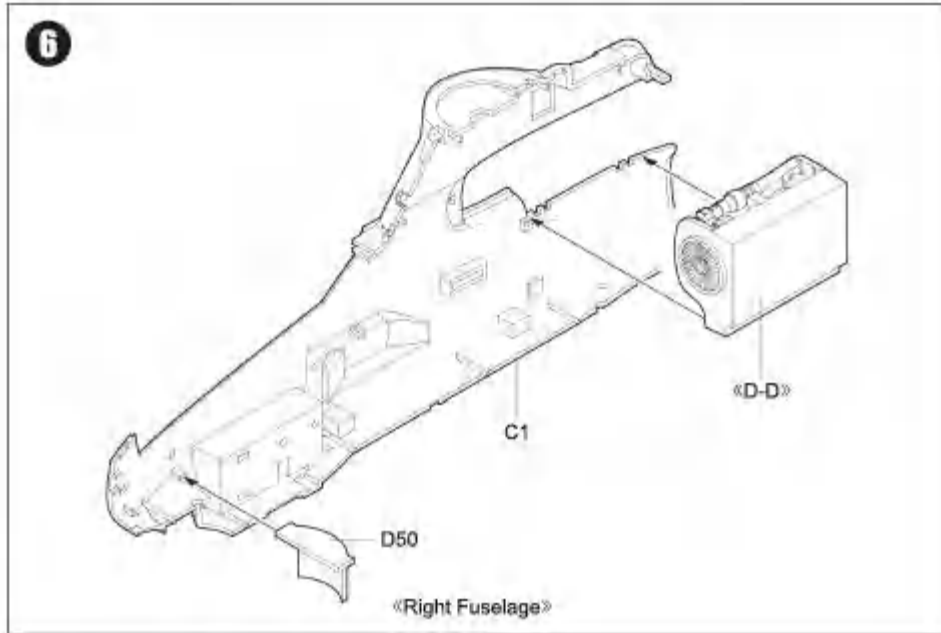


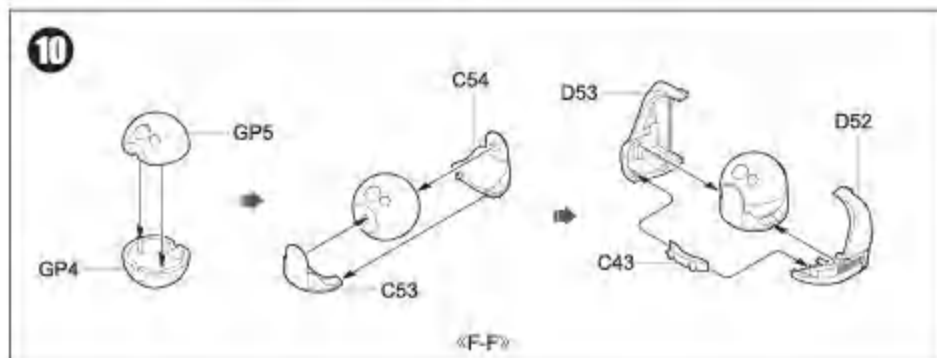
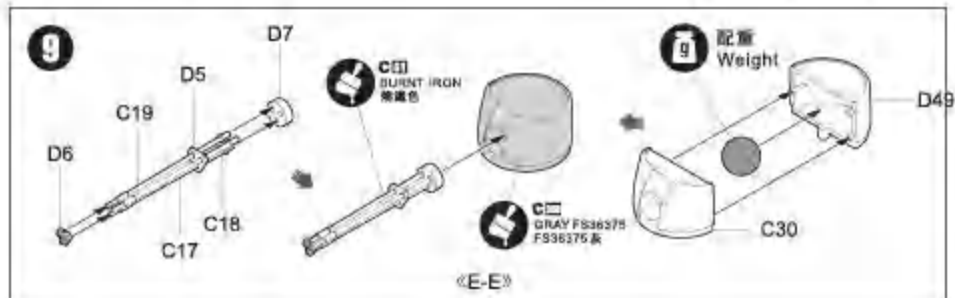
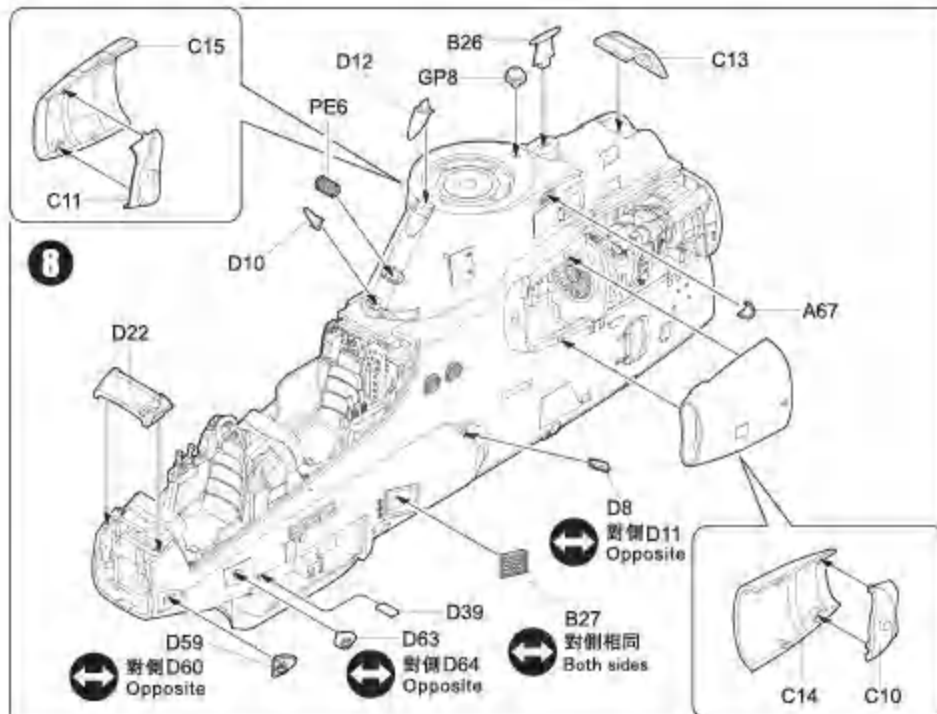
Decal B  
水貼紙B

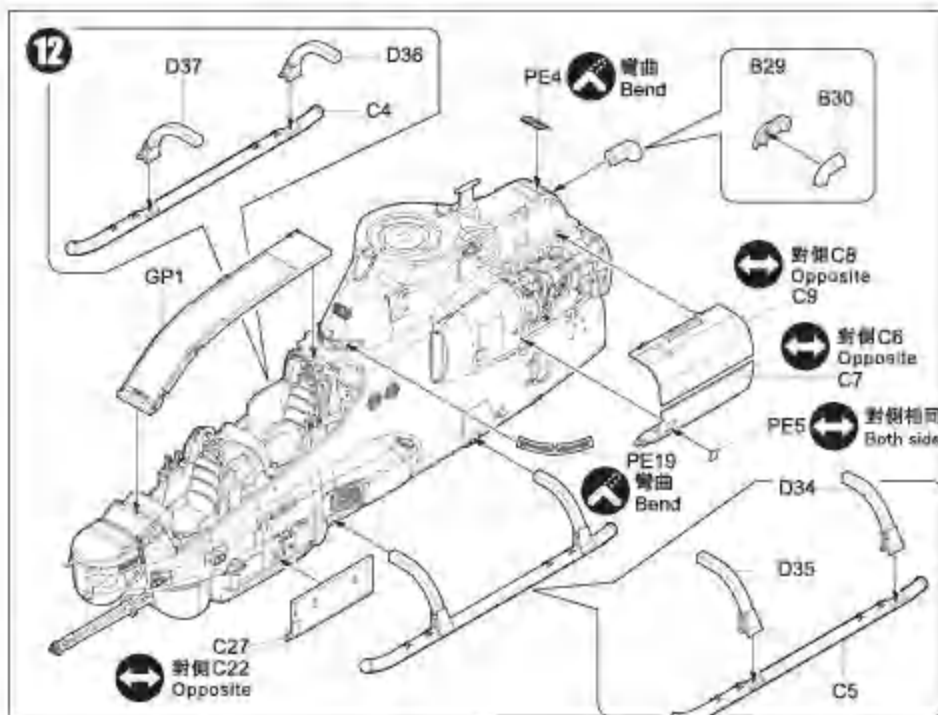
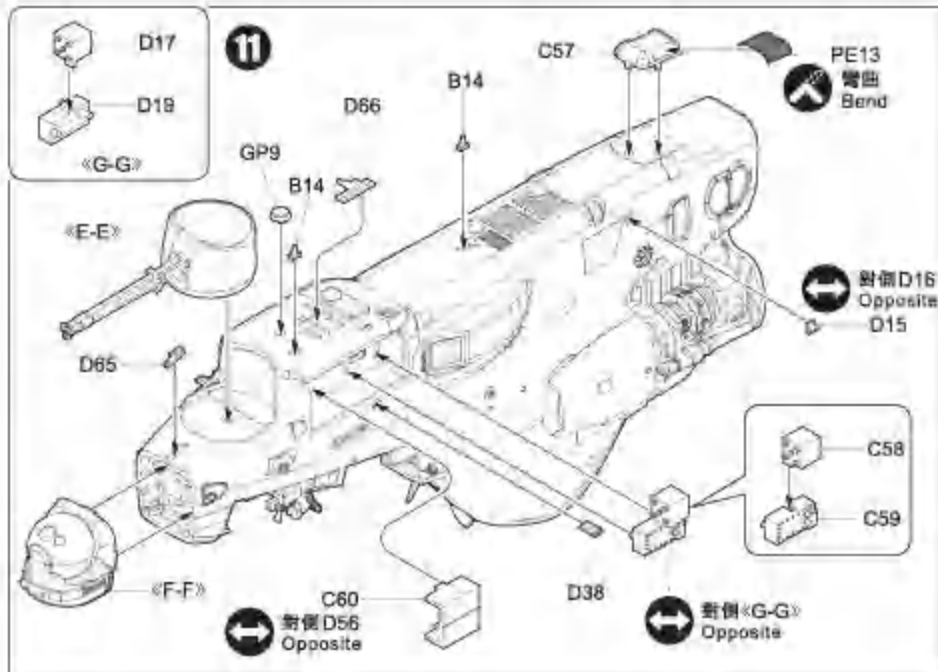


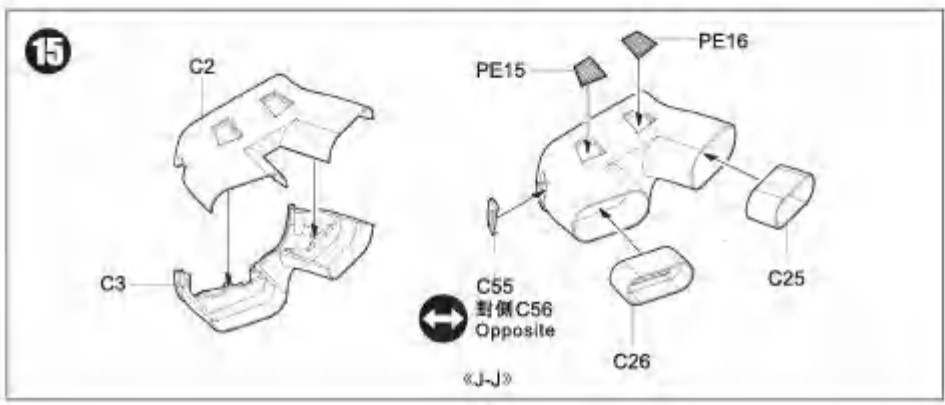
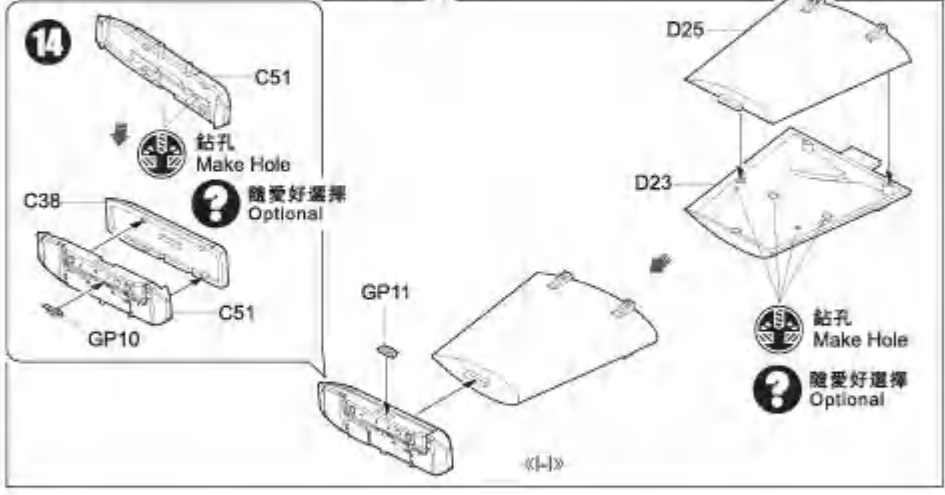
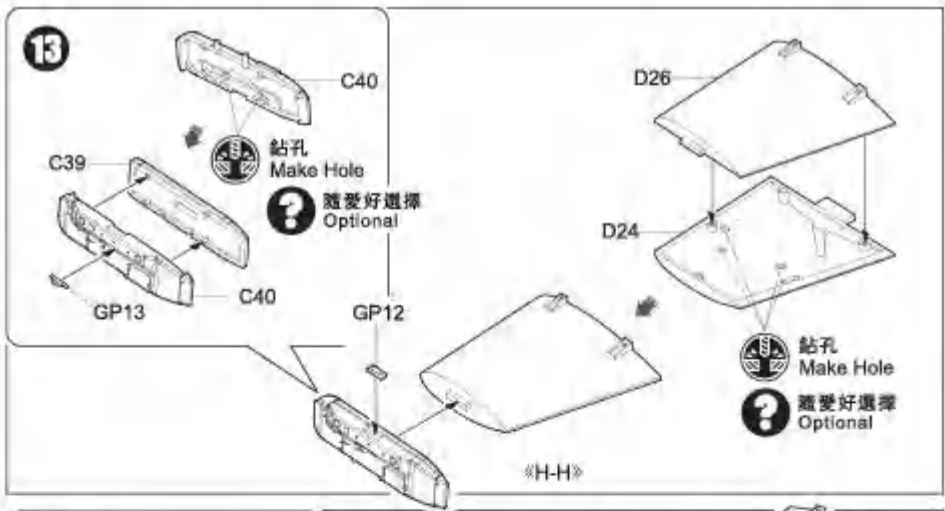




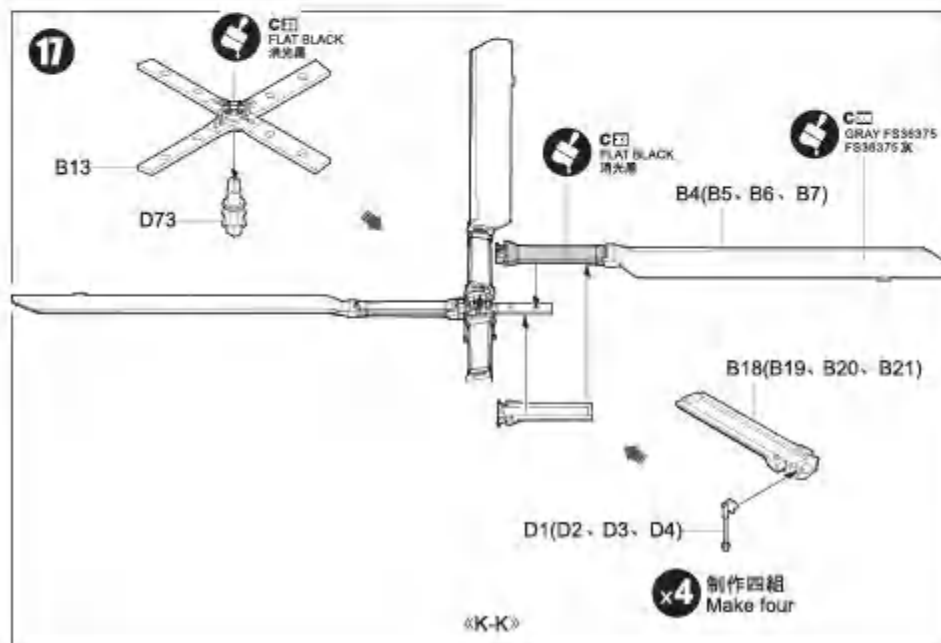
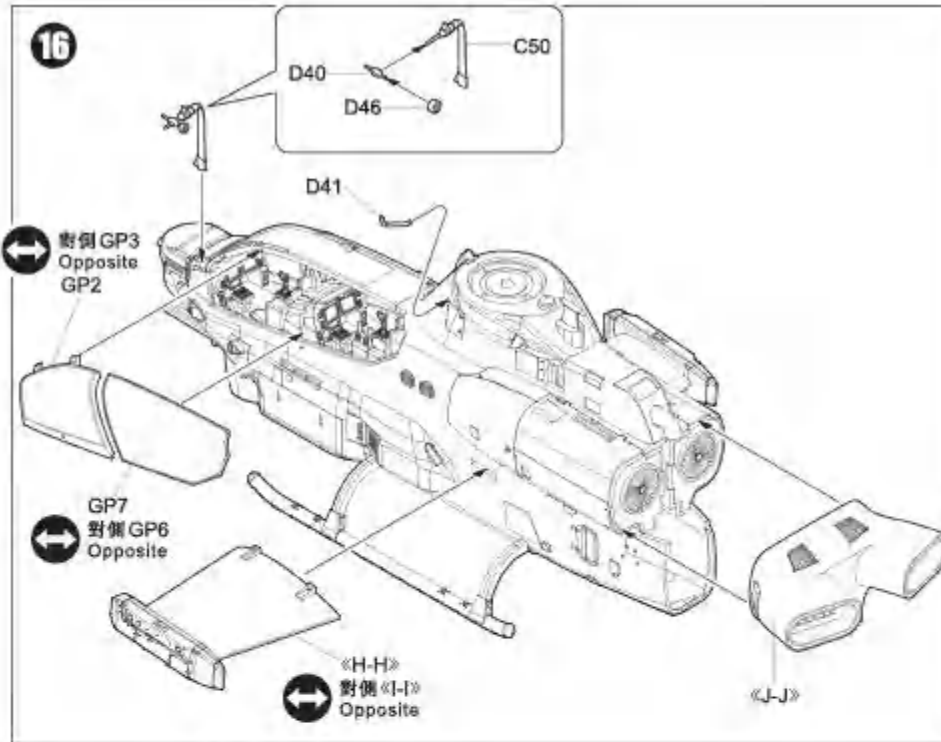


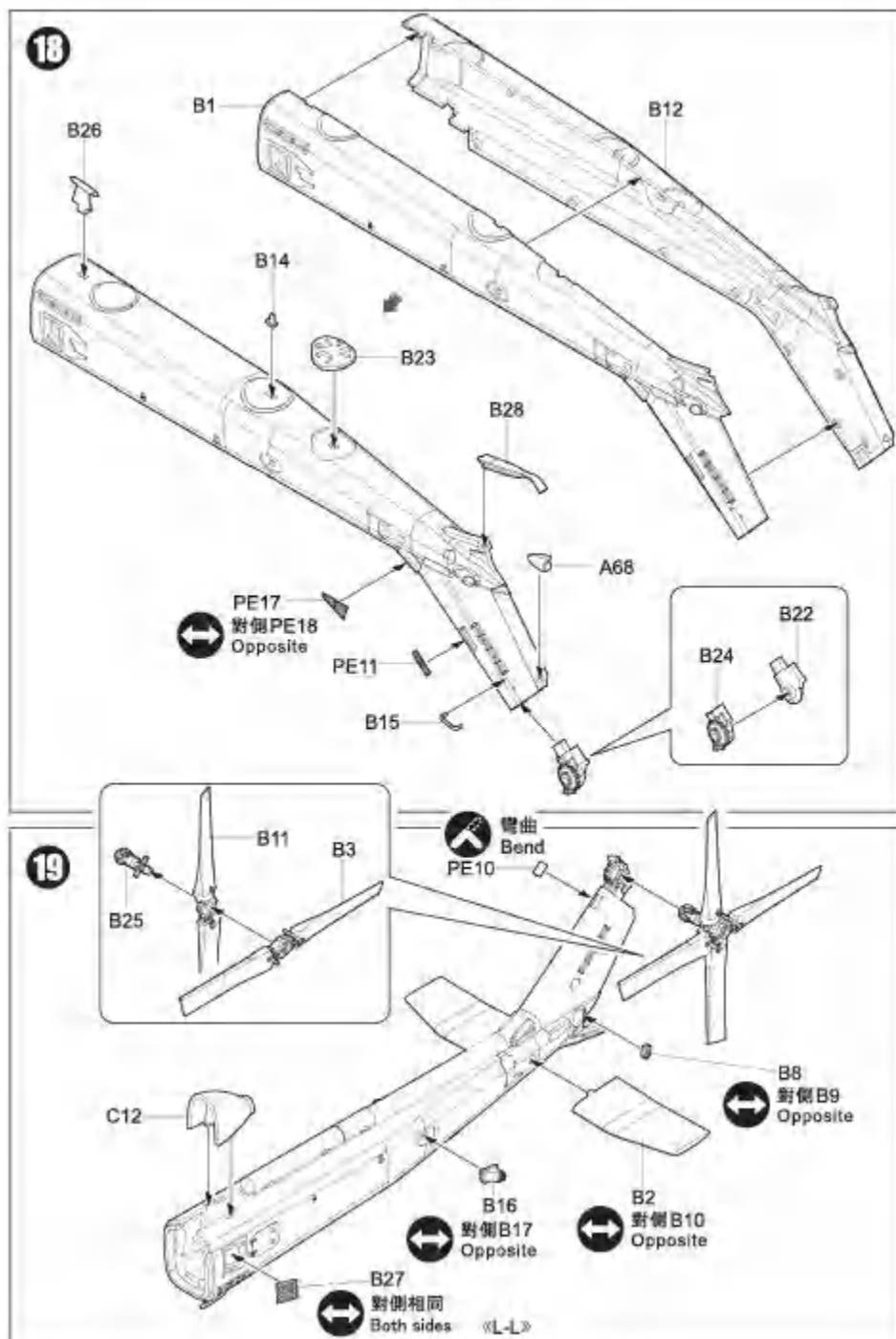


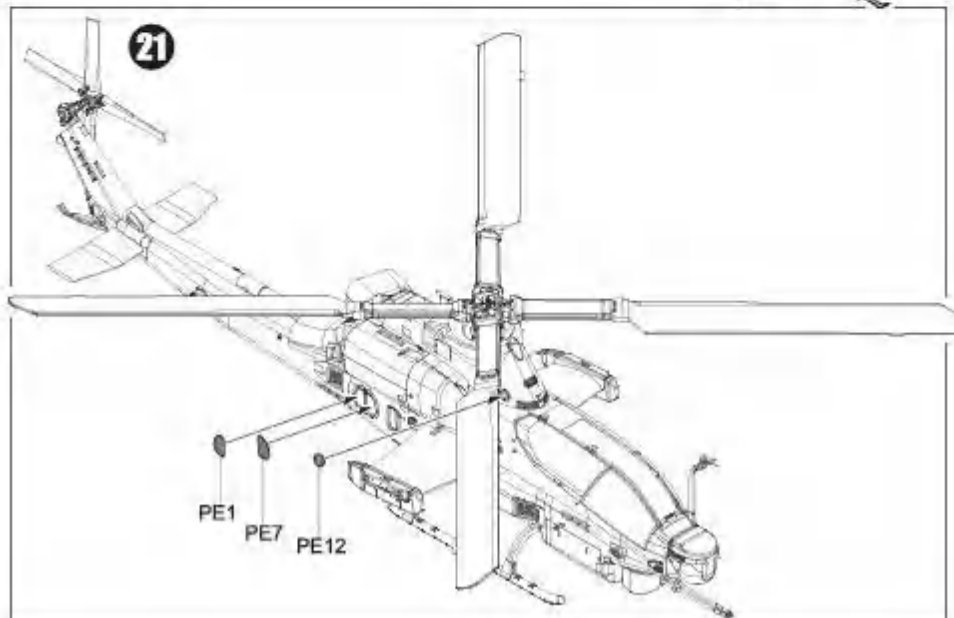
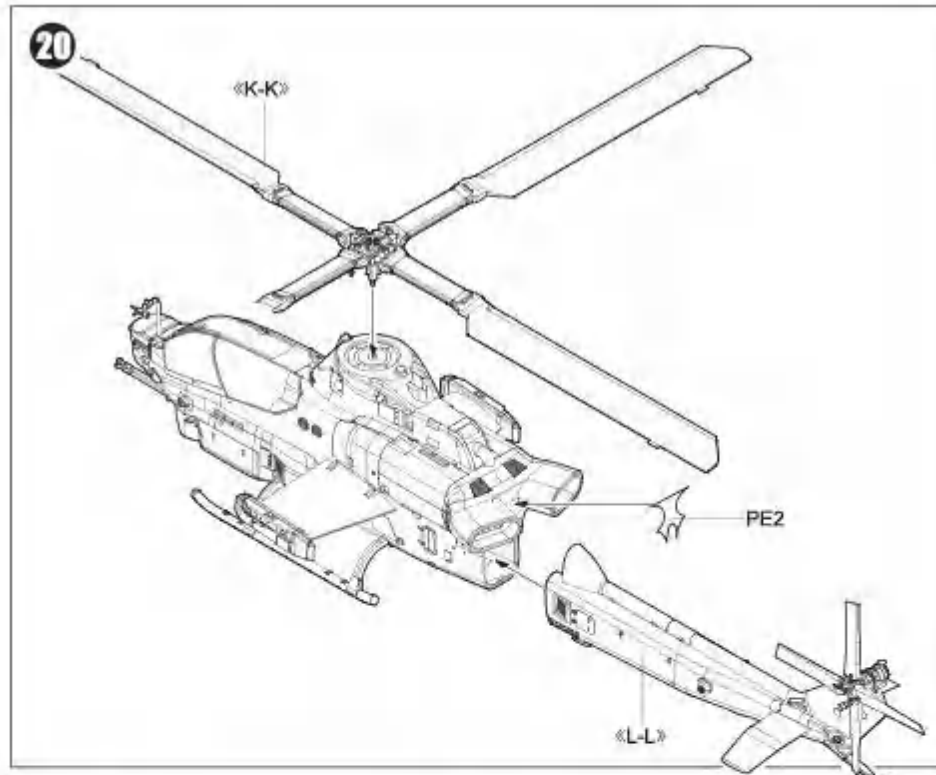


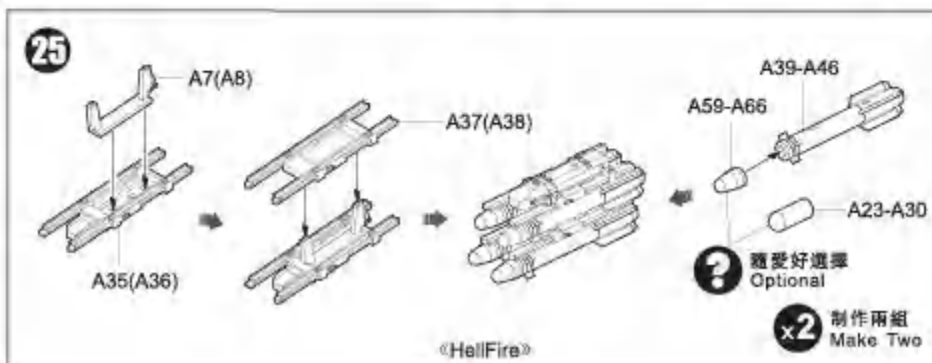
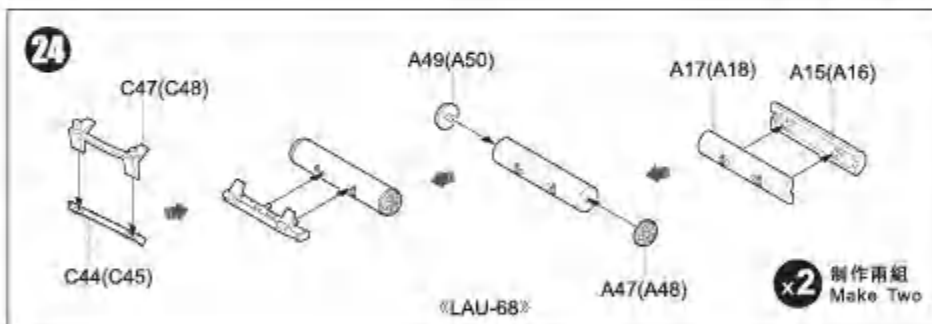
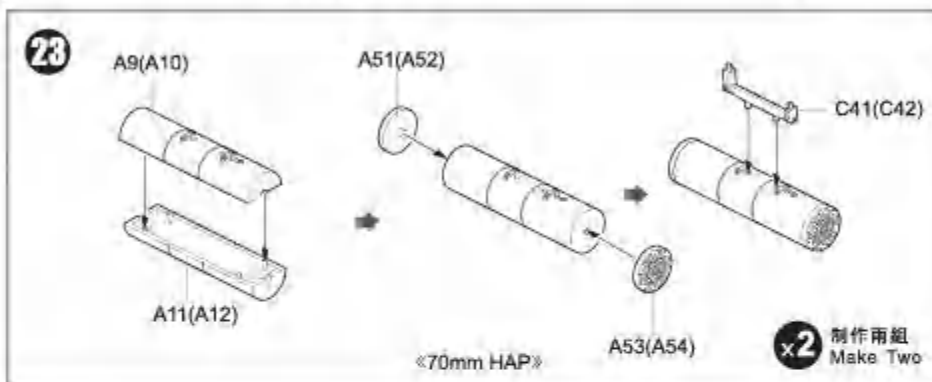
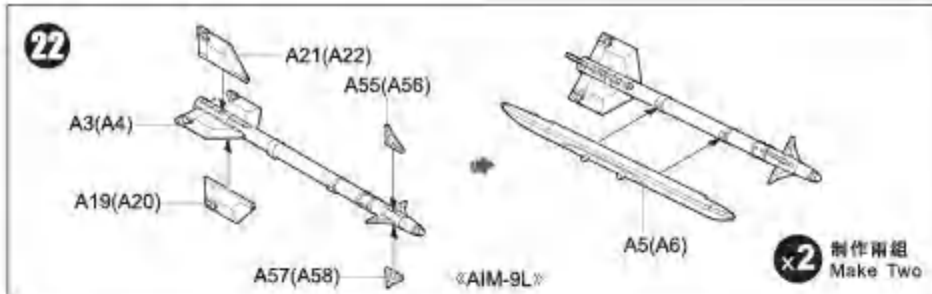








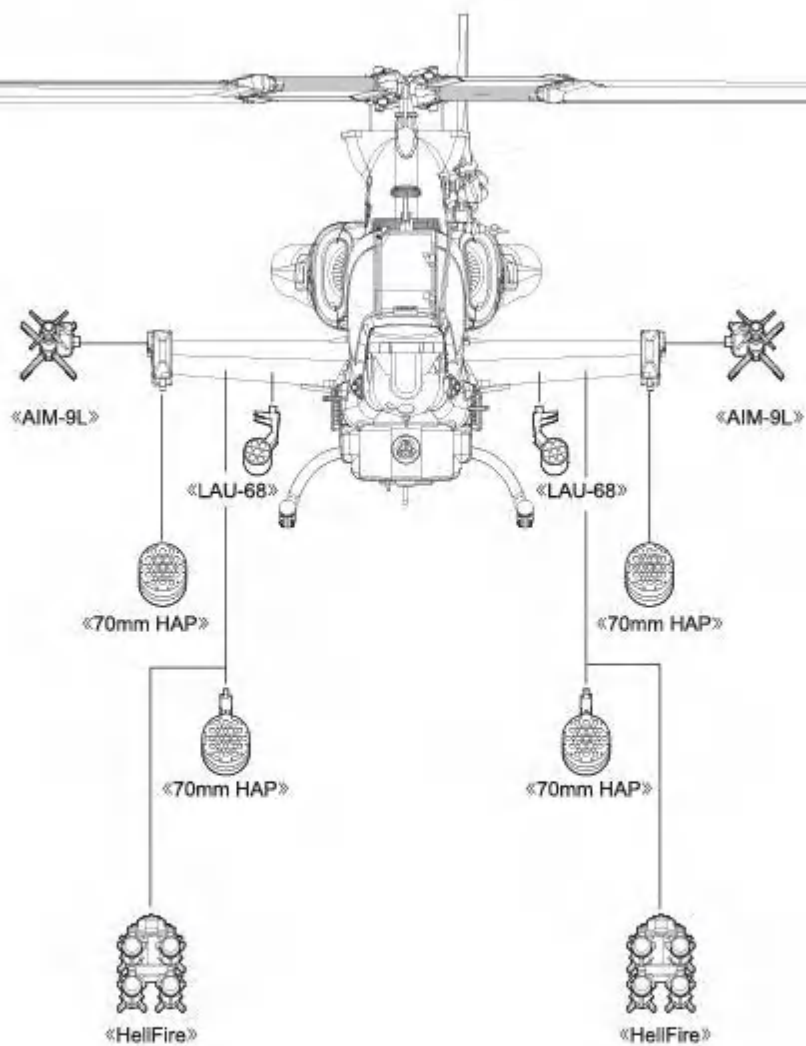


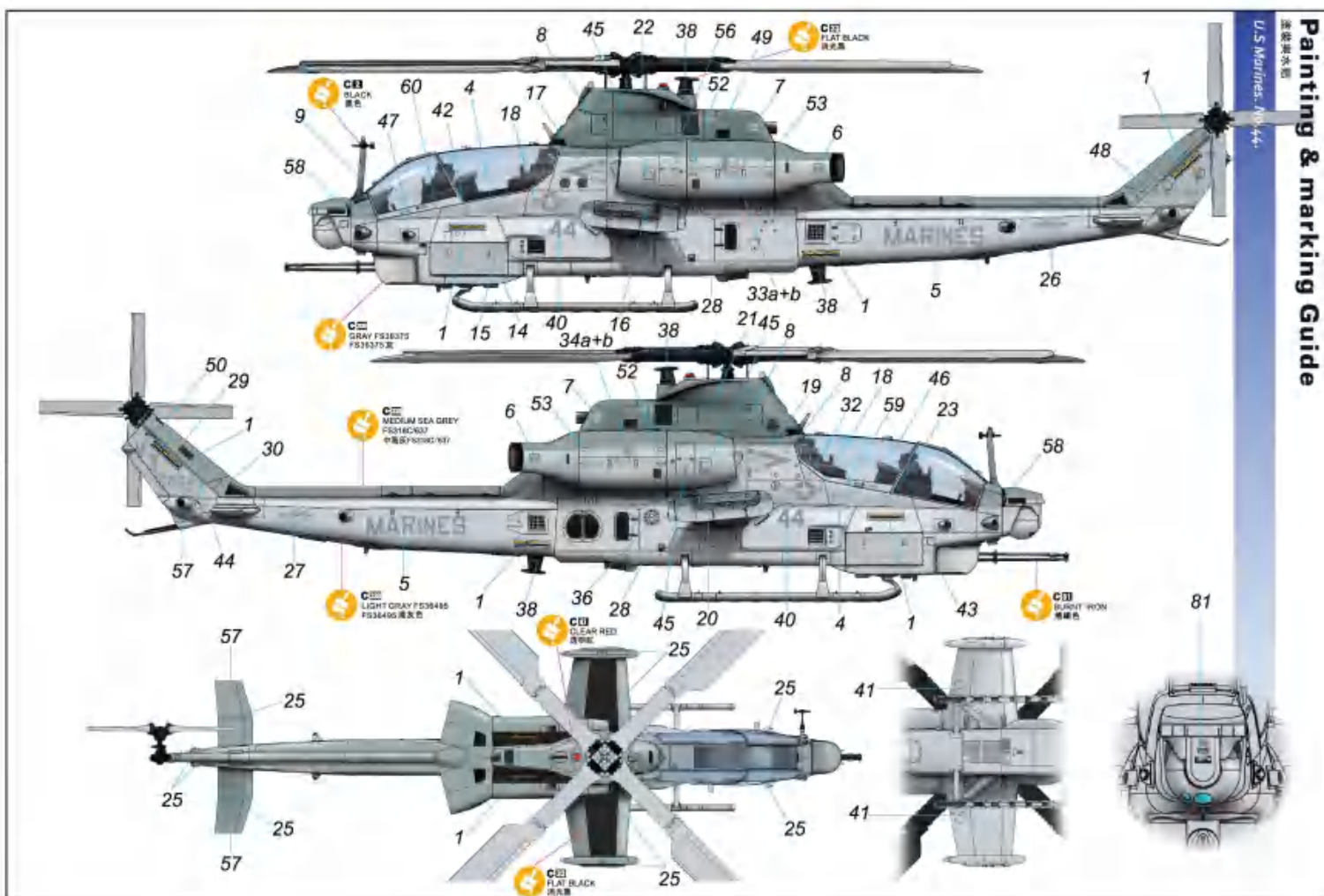


26



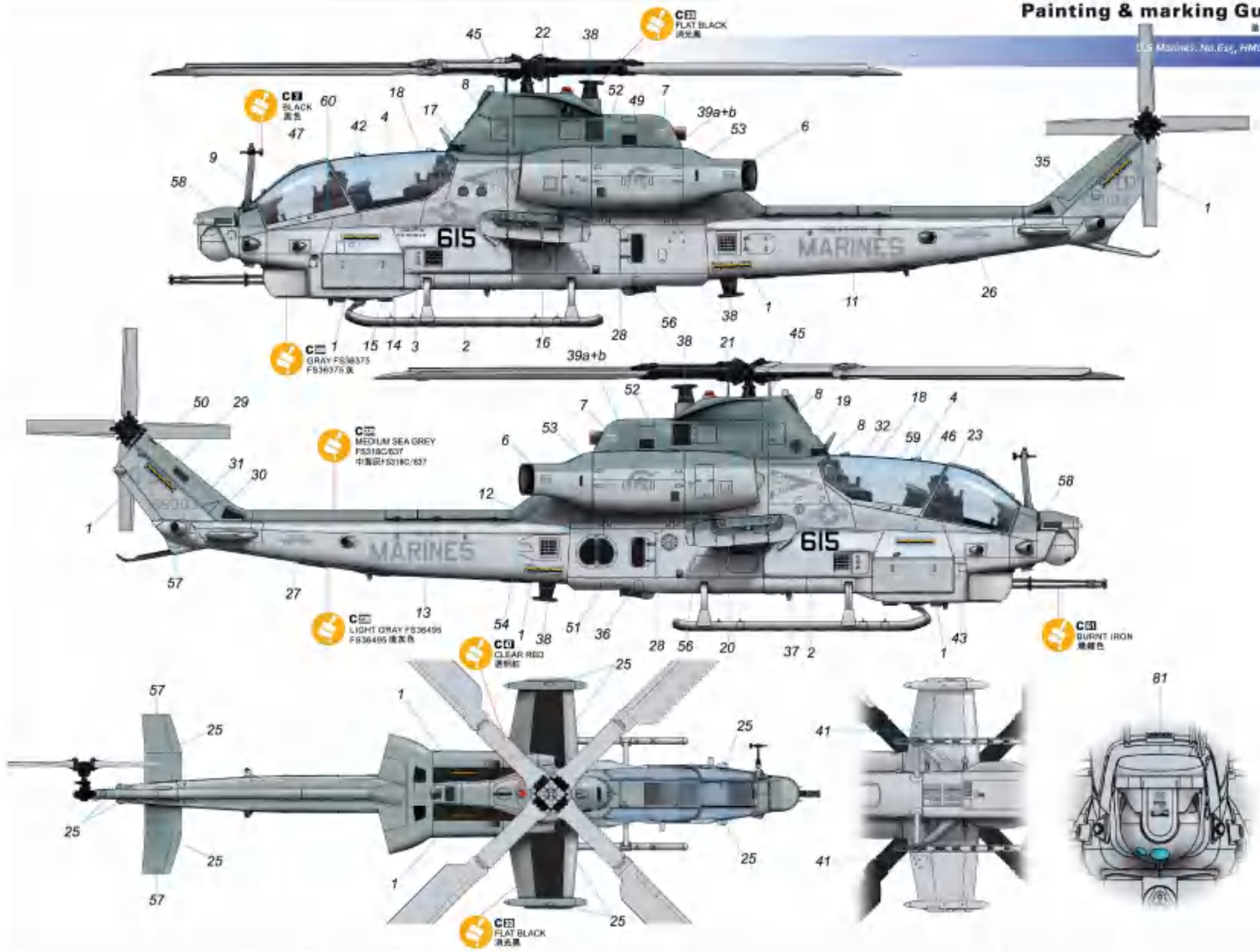
組合完成  
Finished Assembly





# Painting & marking Guide

U.S. Marines, No. Esq., HMLAT 709



# Painting & marking Guide

U.S. Marines No. 640, MMLAT-303

