



1:48 scale

SH-2G "SUPER SEASPRITE"

拼裝說明書

Instruction



Instruction

SH-2G
"超級海妖"艦載直升機

ITEM NO. ZM80126

READ BEFORE ASSEMBLY

在組合您的模型之前，請充分閱讀本冊說明書。組合模型您需要如下物品（需另購）：模型膠水；一把模型鉗或一把用於將零件從框架上切下的模型筆刀。筆刀同樣可以用來修整零件的合模縫。祝您制作愉快！

Before assembling your model kit, read through these instructions carefully. To assemble this kit, you will need Plastic glue (not include). A pair of side cutter or a sharp modelling knife is required for removing parts from the frame. Plastic mould lines can be removed with the modelling knife.



請注意
Special instructions



隨愛好選擇
Optional



組合完成
Finished Assembly



制作兩組
Make Two



配重
Weight



塗色
Painting



無需膠粘
Do Not Cement



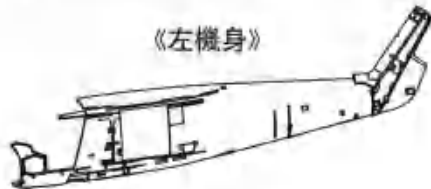
對側
Opposite

部品圖 PARTS

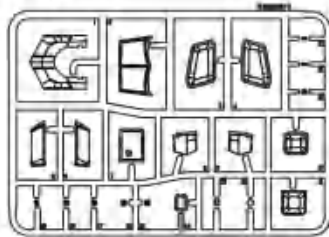
《右機身》



《左機身》



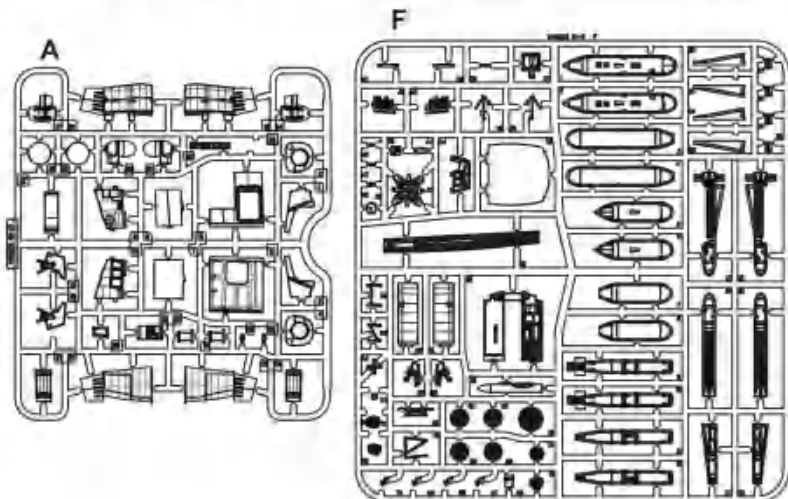
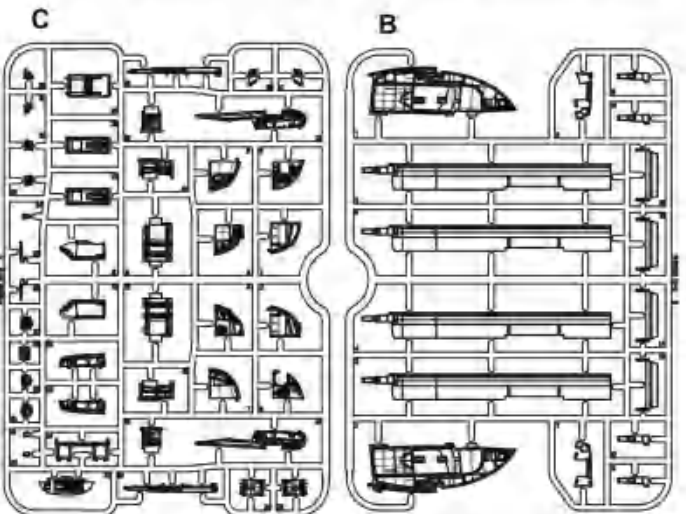
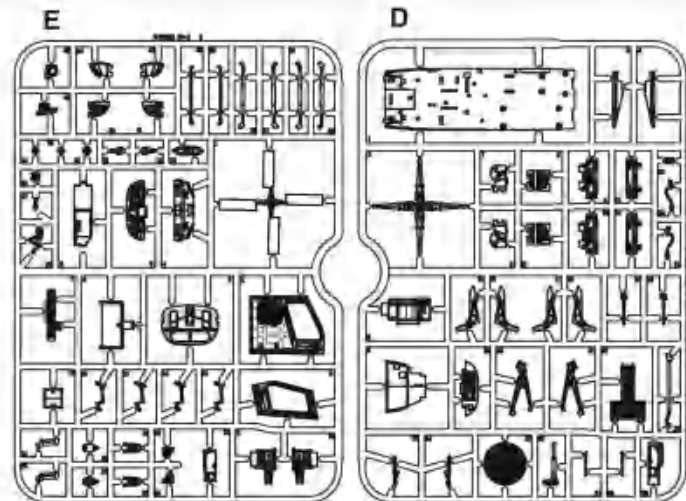
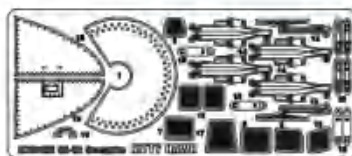
GP

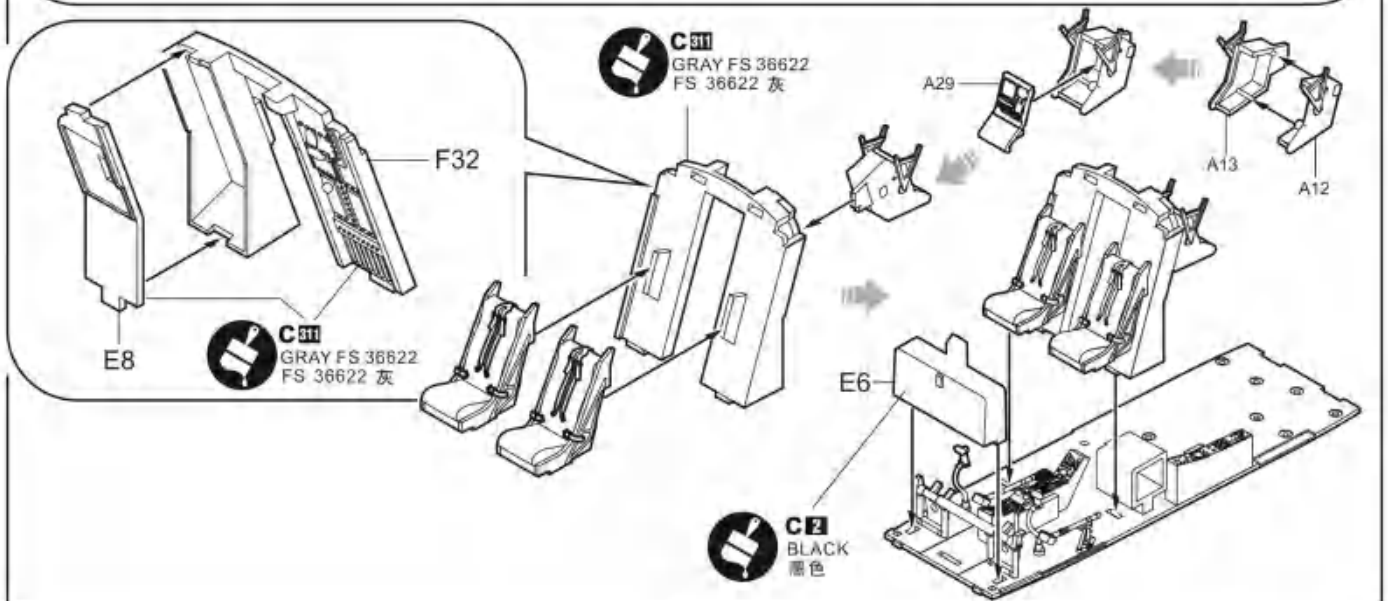
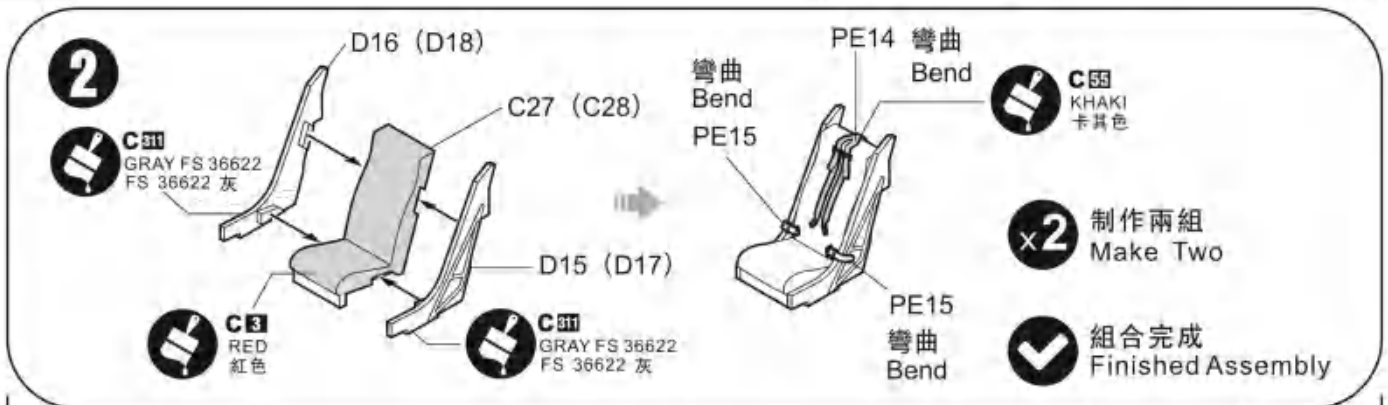
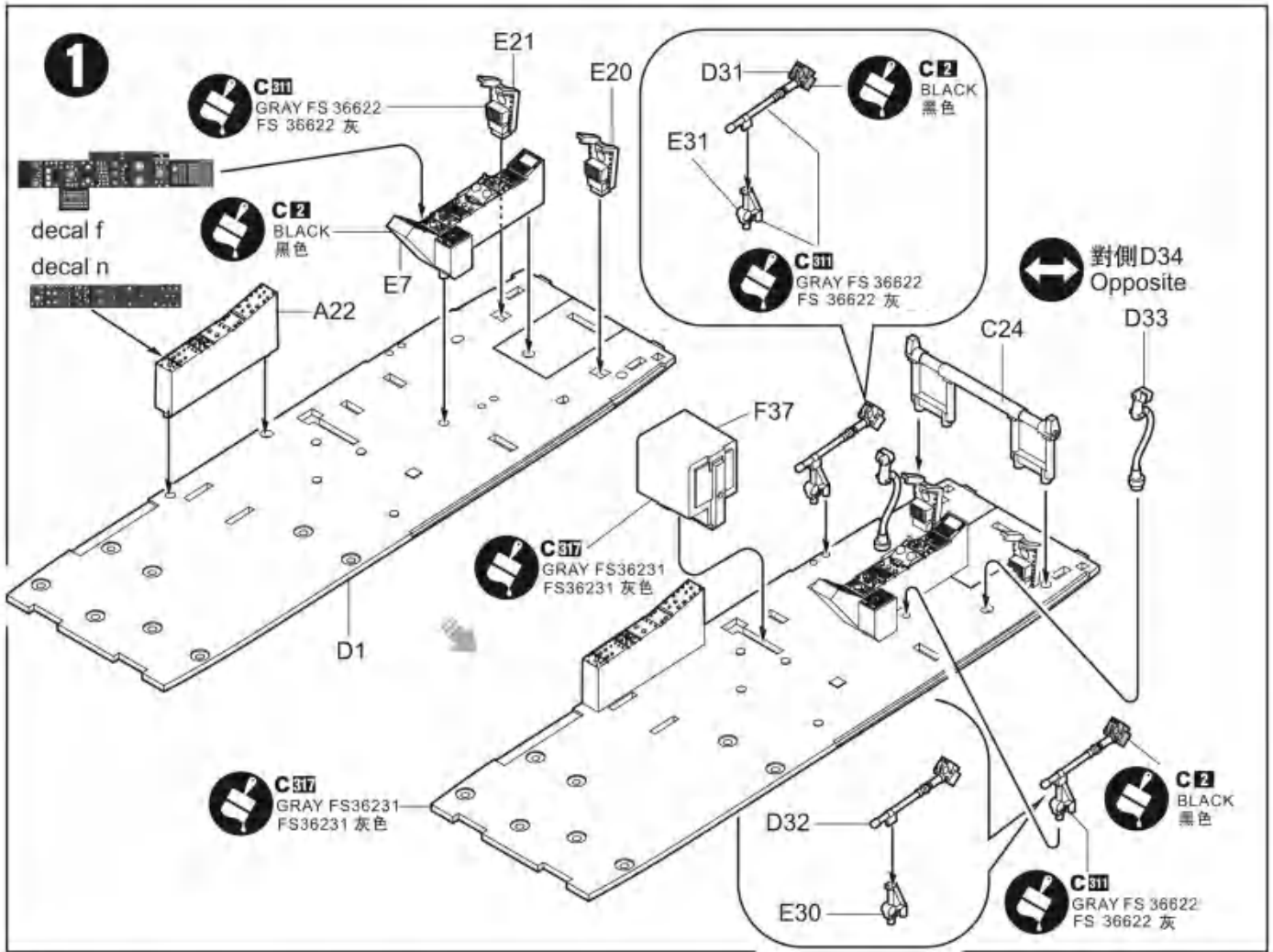


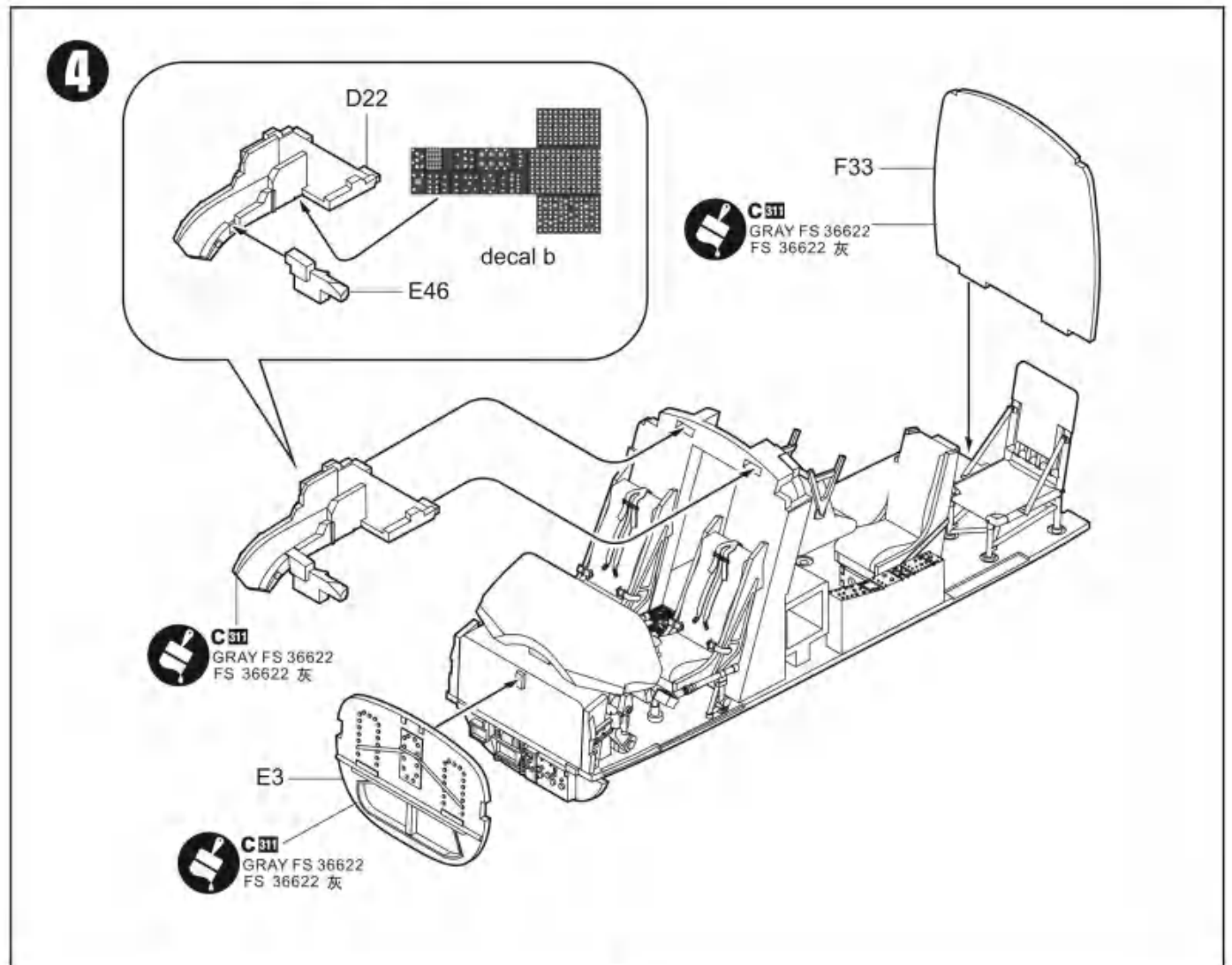
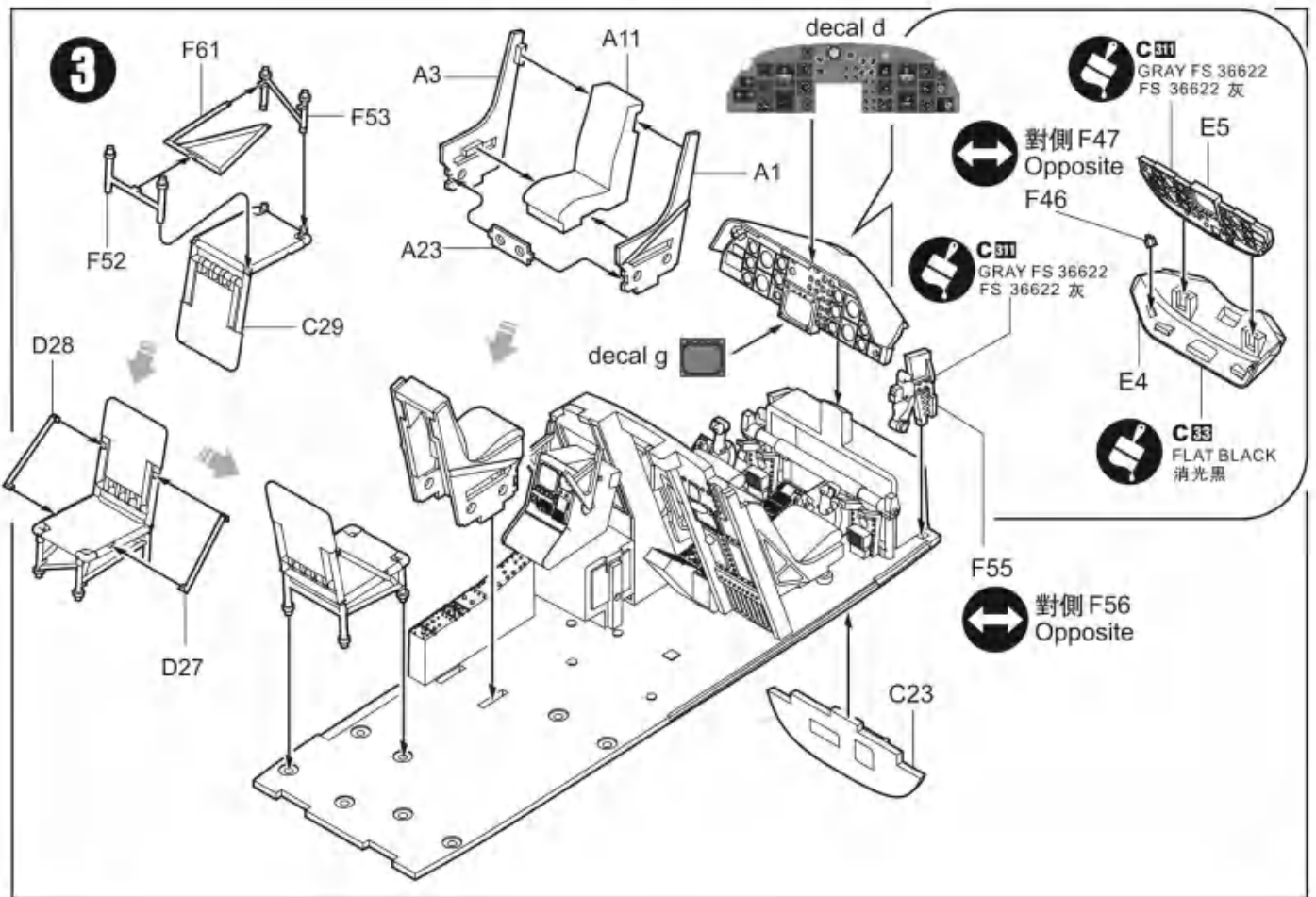
DECAL



PE

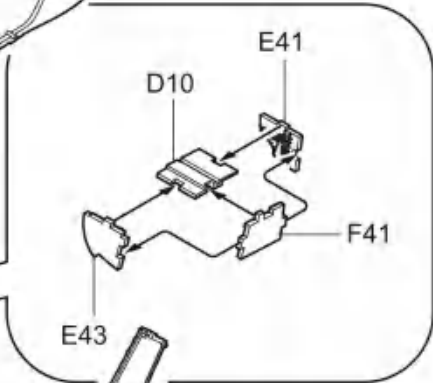
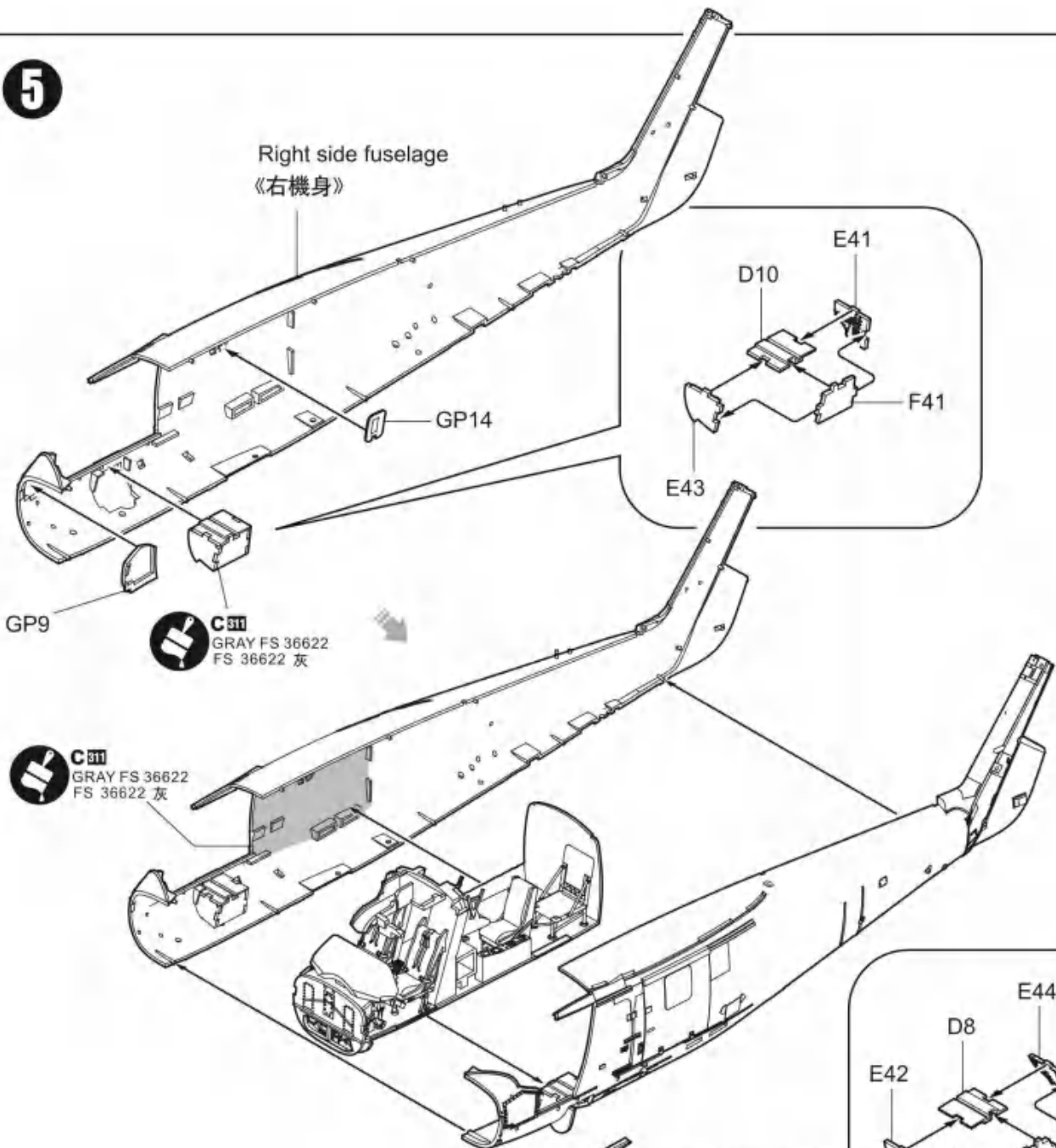






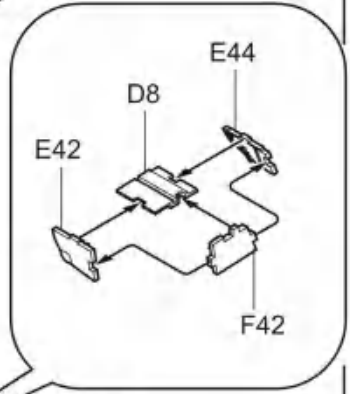
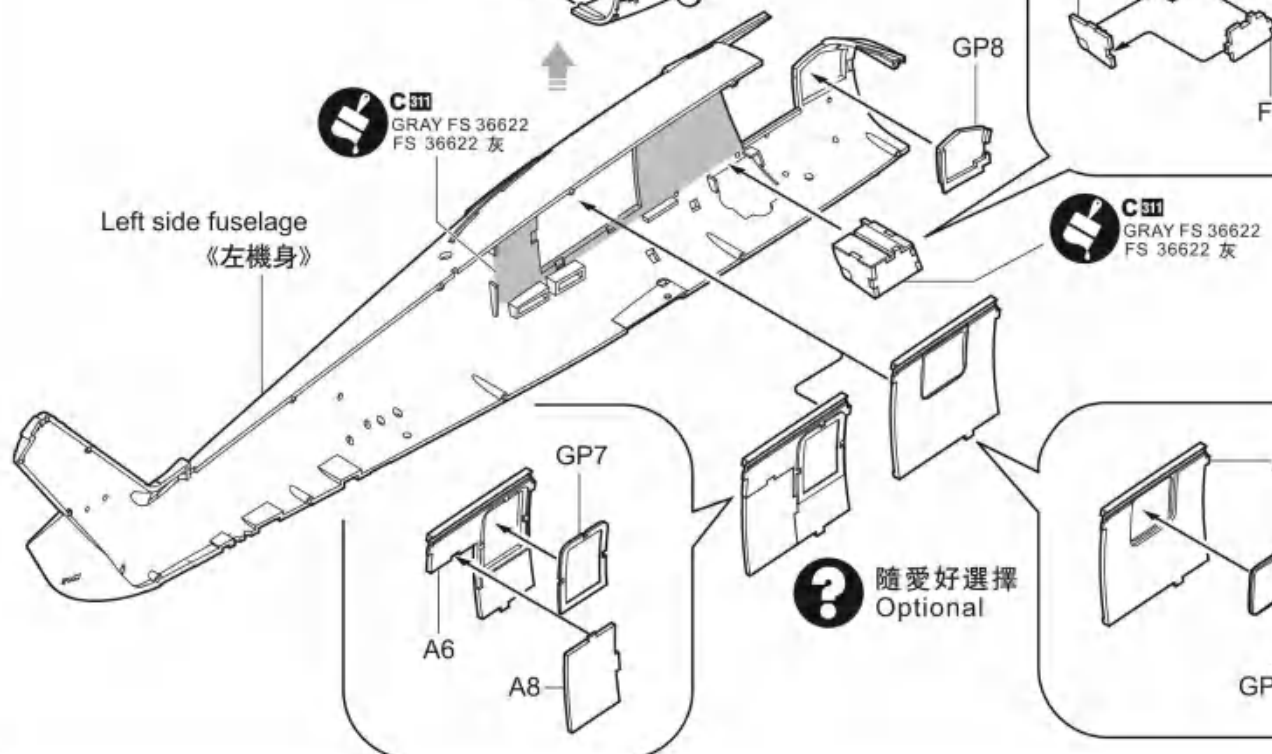
5

Right side fuselage
《右機身》



C311
GRAY FS 36622
FS 36622 灰

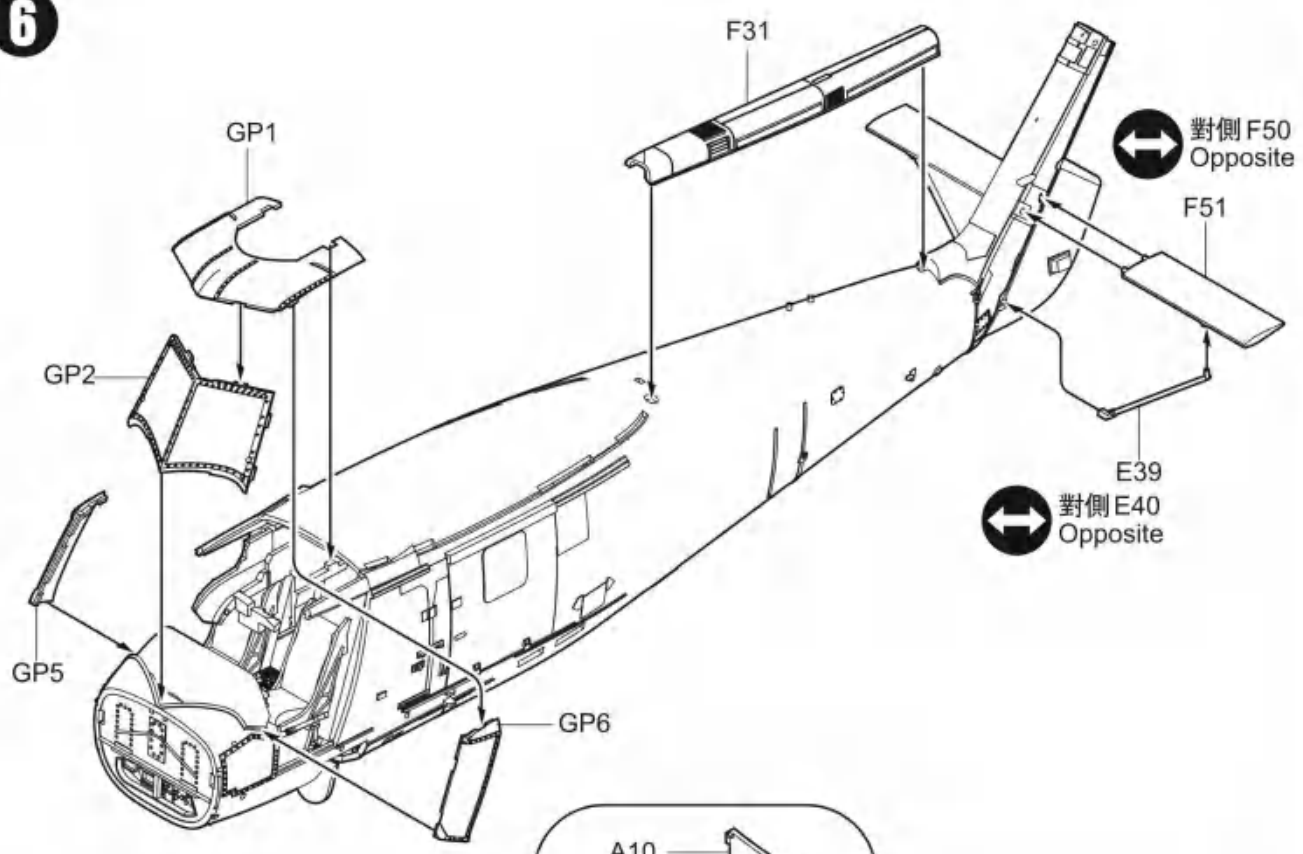
Left side fuselage
《左機身》



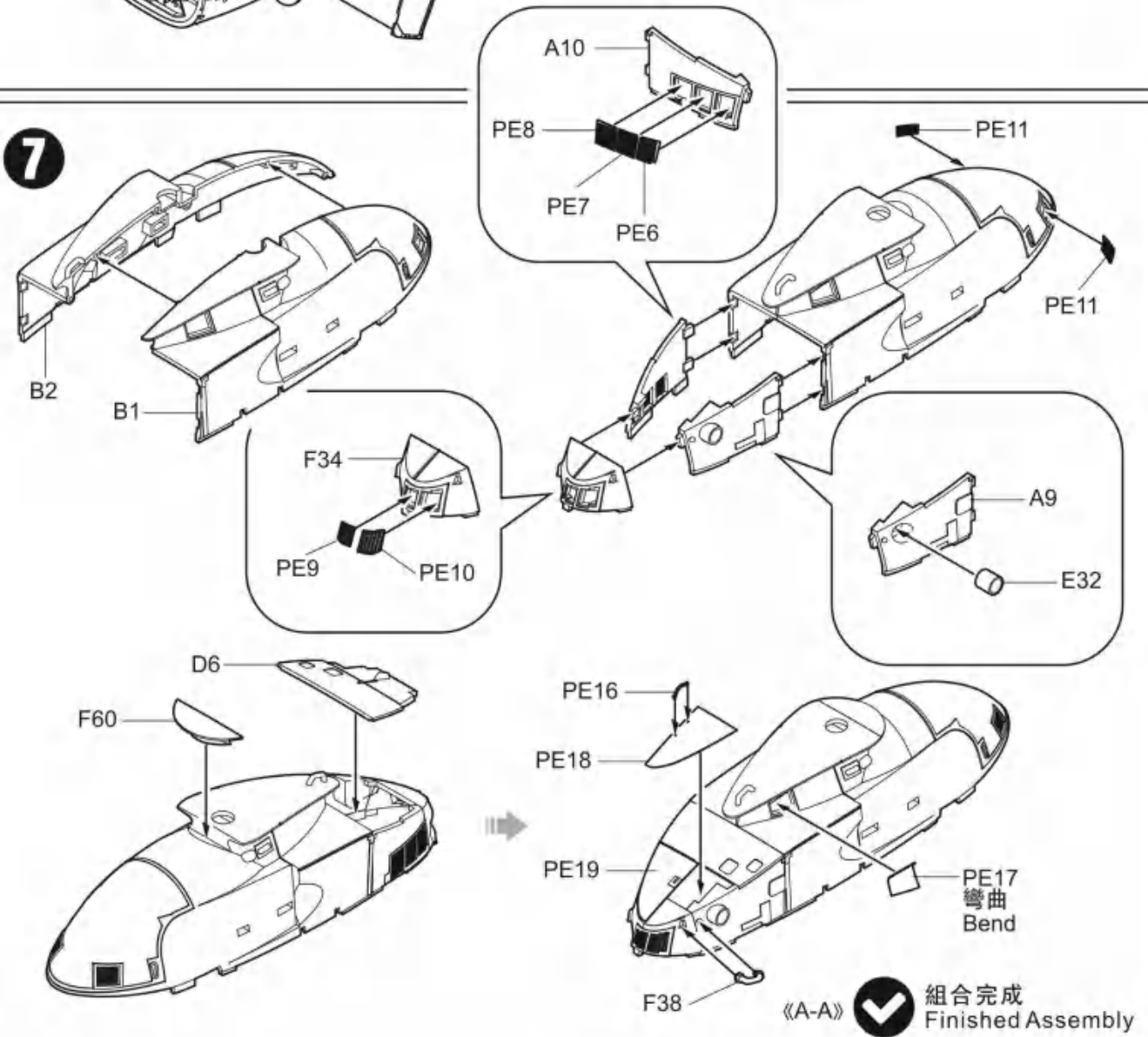
C311
GRAY FS 36622
FS 36622 灰

? 隨愛好選擇
Optional

6

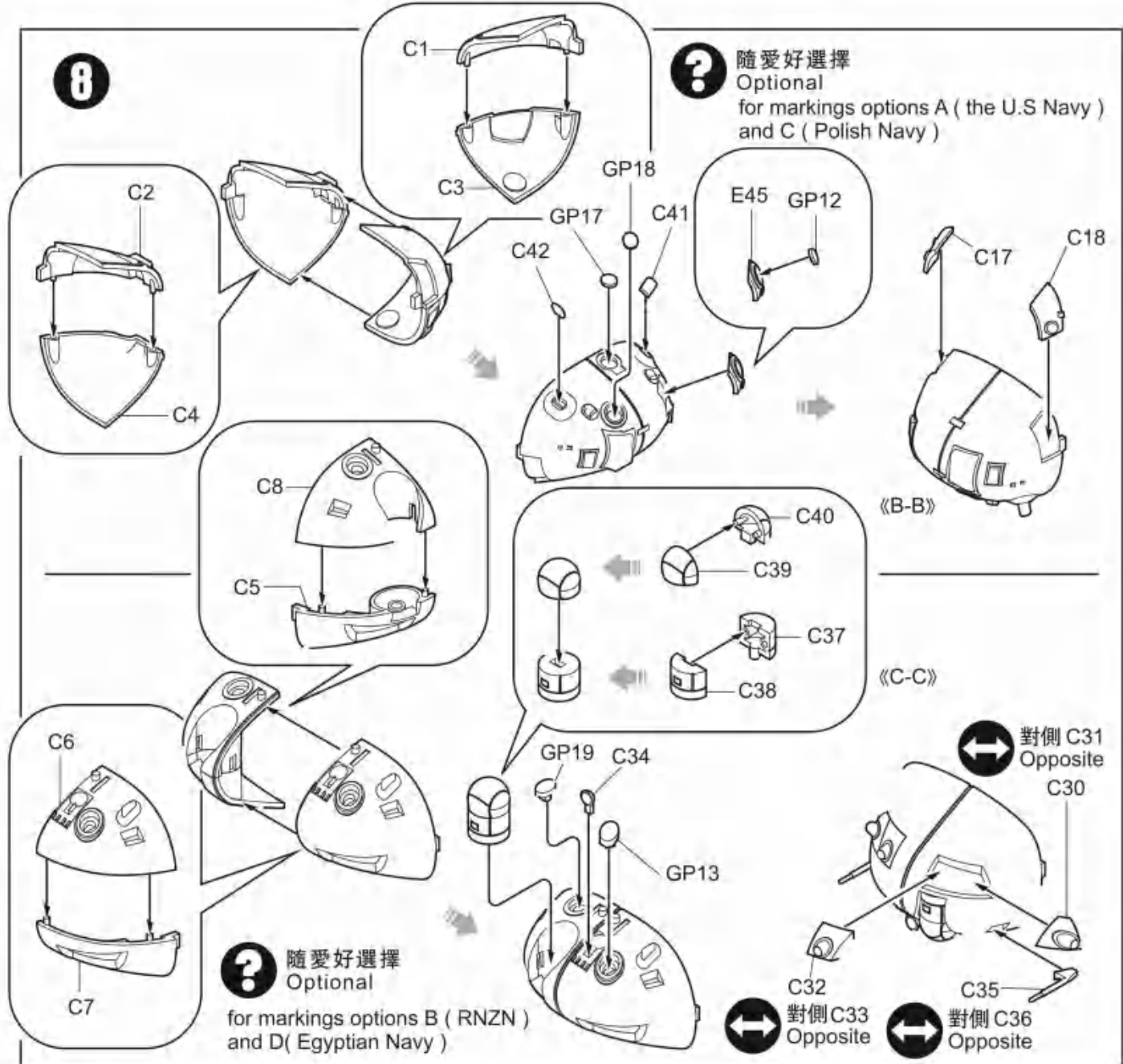


7



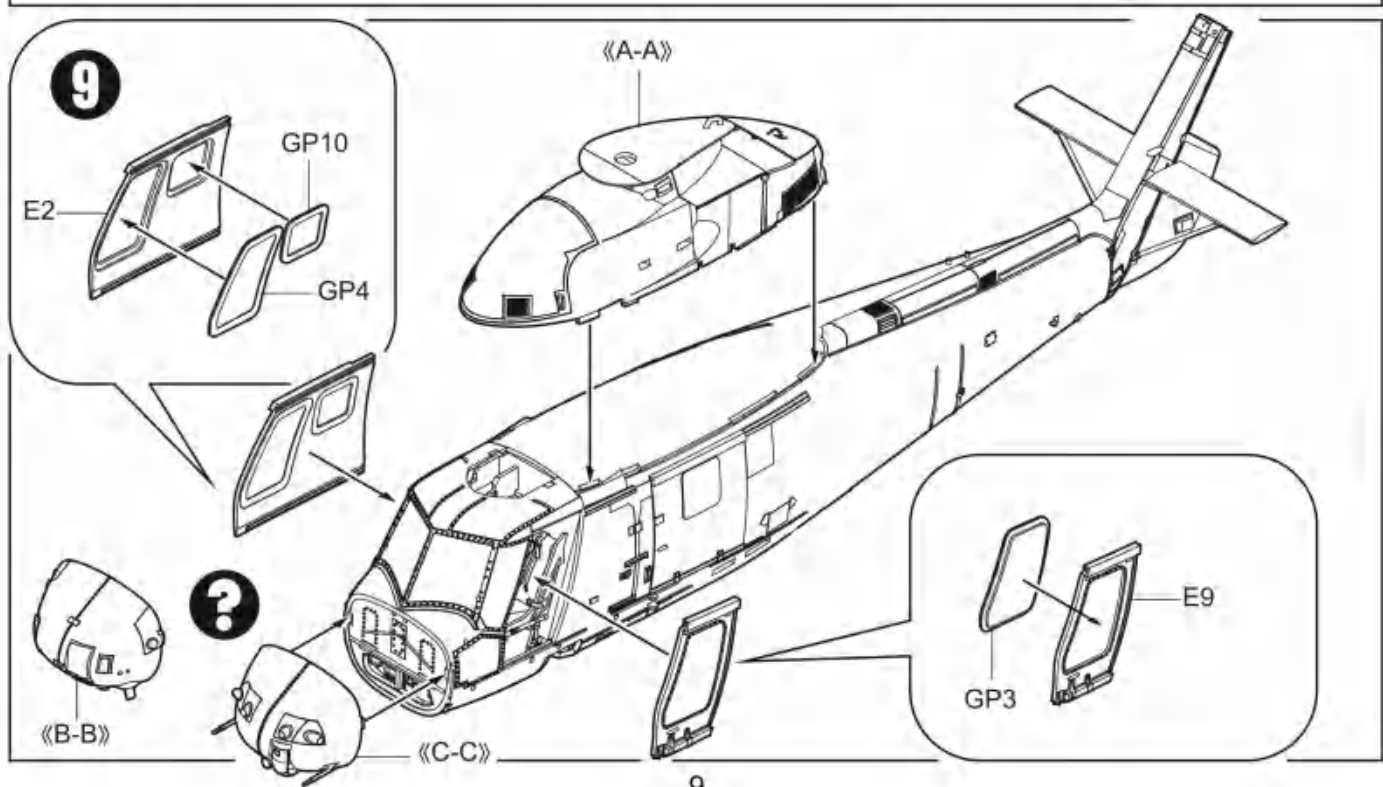
8

? 隨愛好選擇
Optional
for markings options A (the U.S Navy)
and C (Polish Navy)

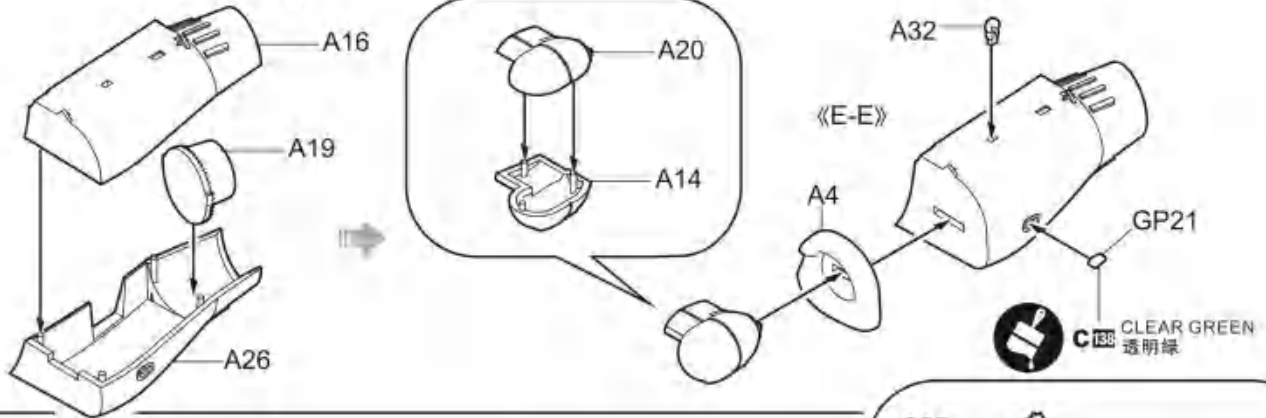
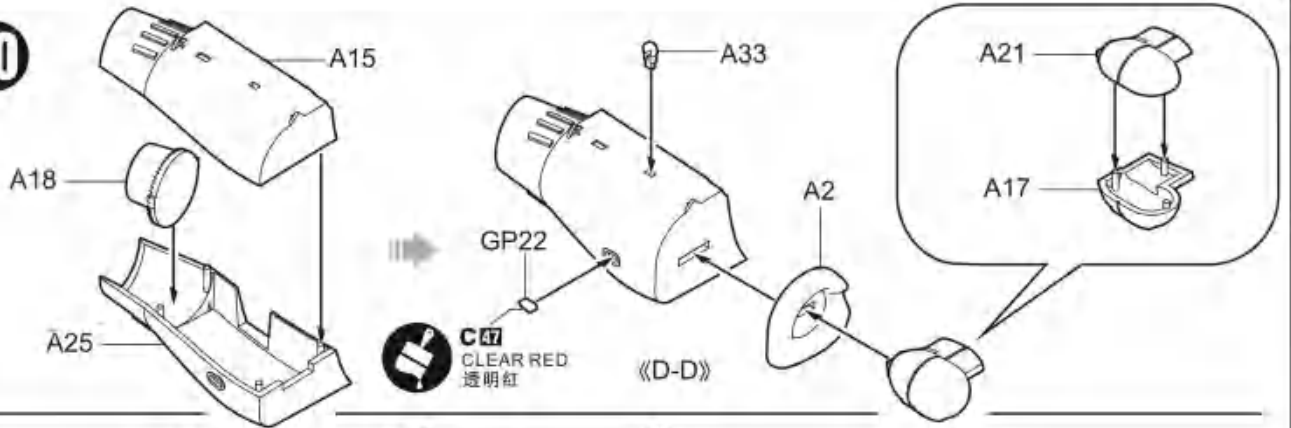


9

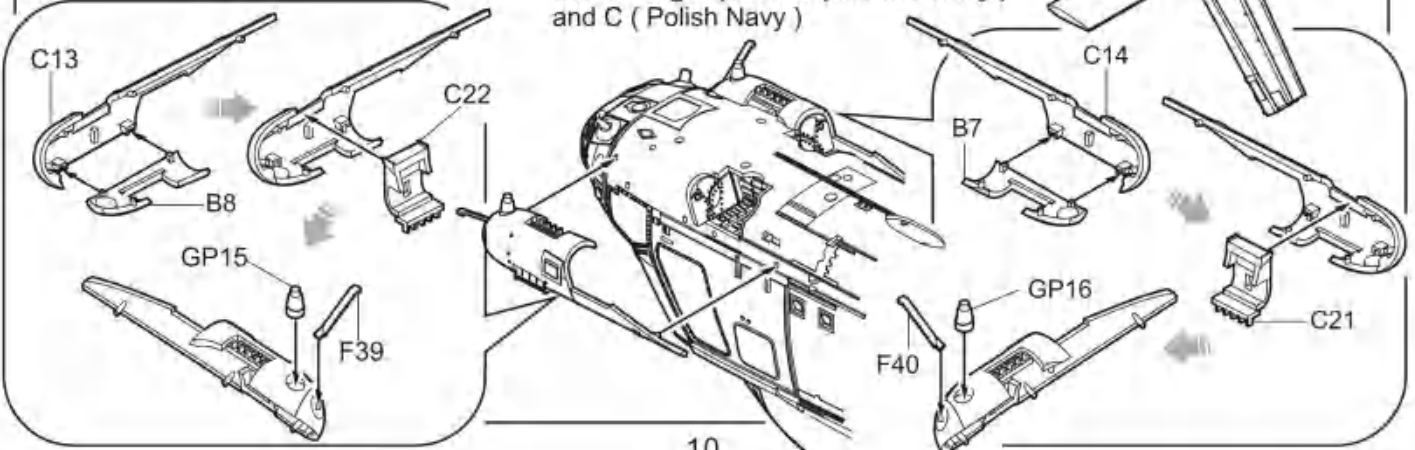
《A-A》



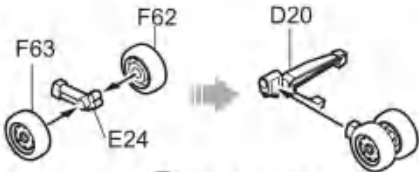
10



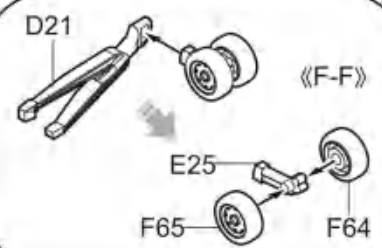
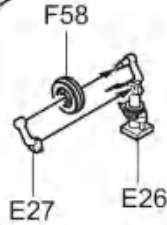
11



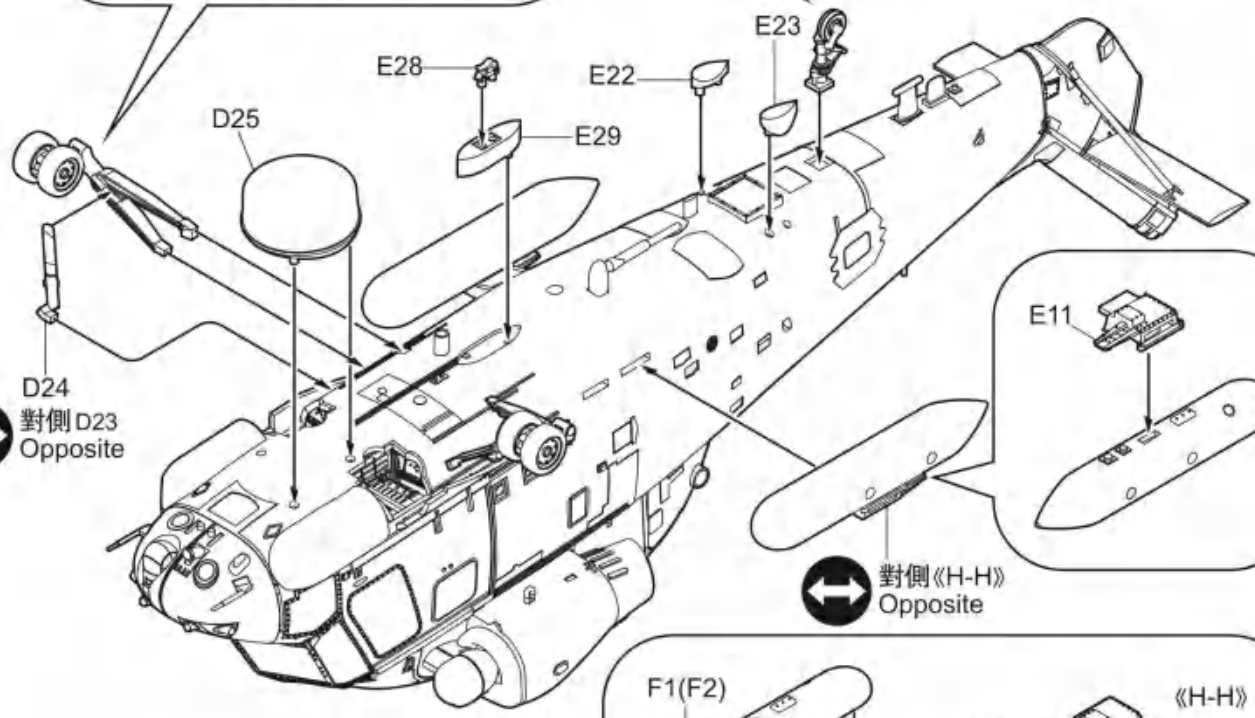
12



對側《F-F》
Opposite

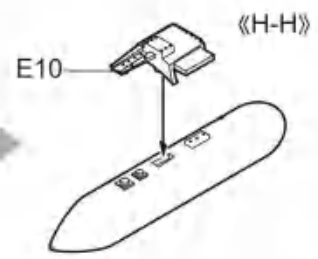
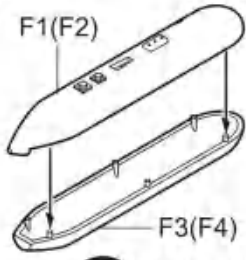


《F-F》



對側 D23
Opposite

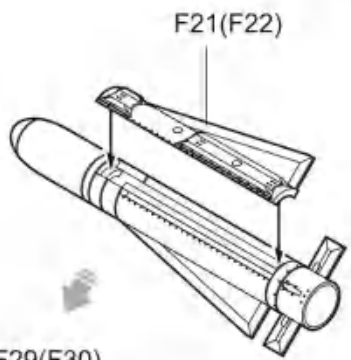
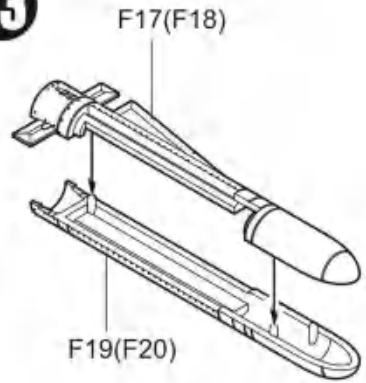
對側《H-H》
Opposite



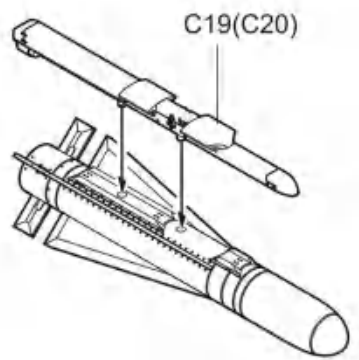
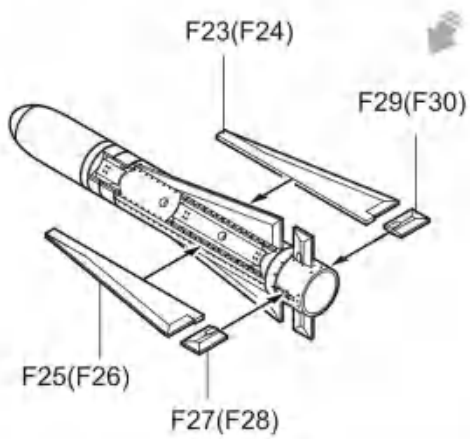
《H-H》

×2 制作兩組
Make Two

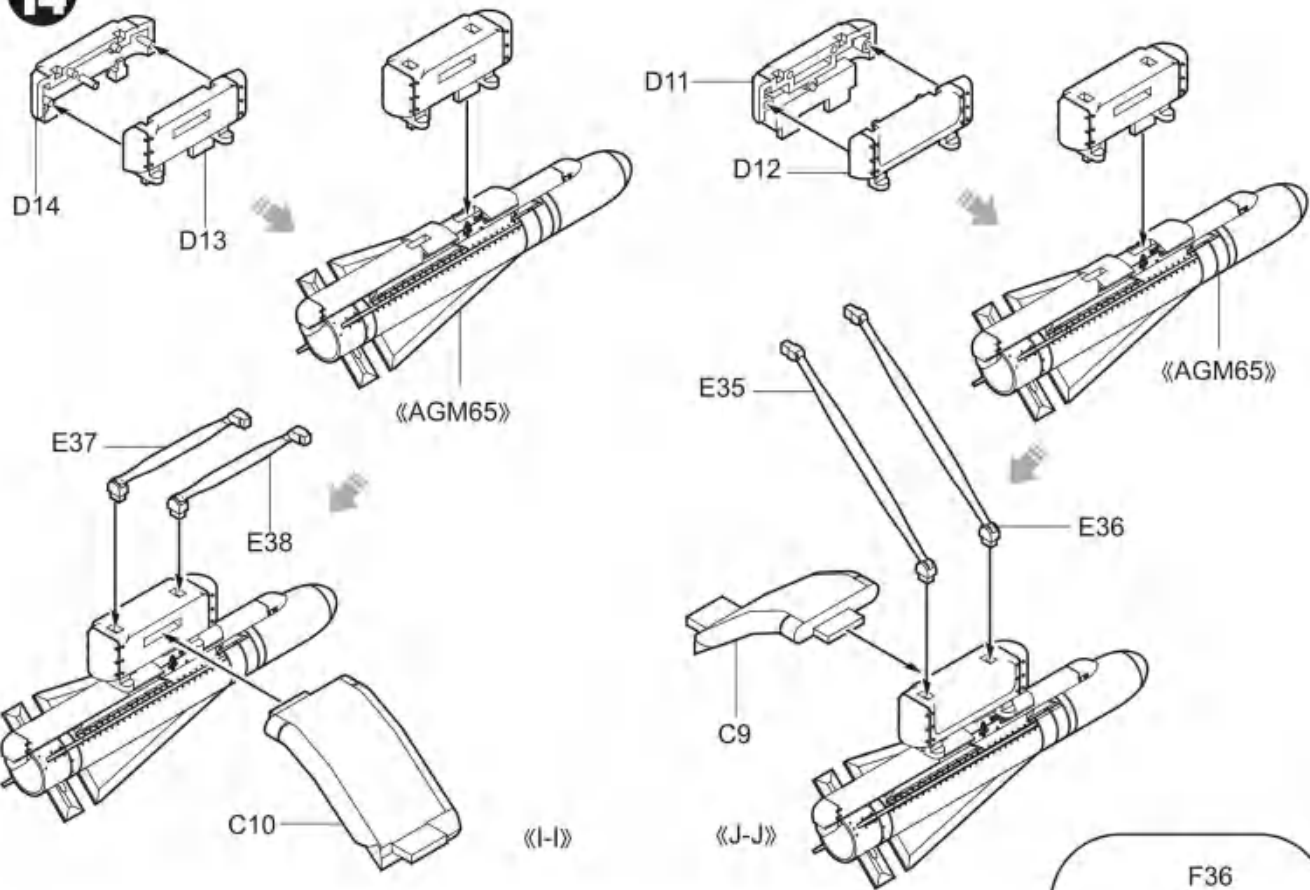
13



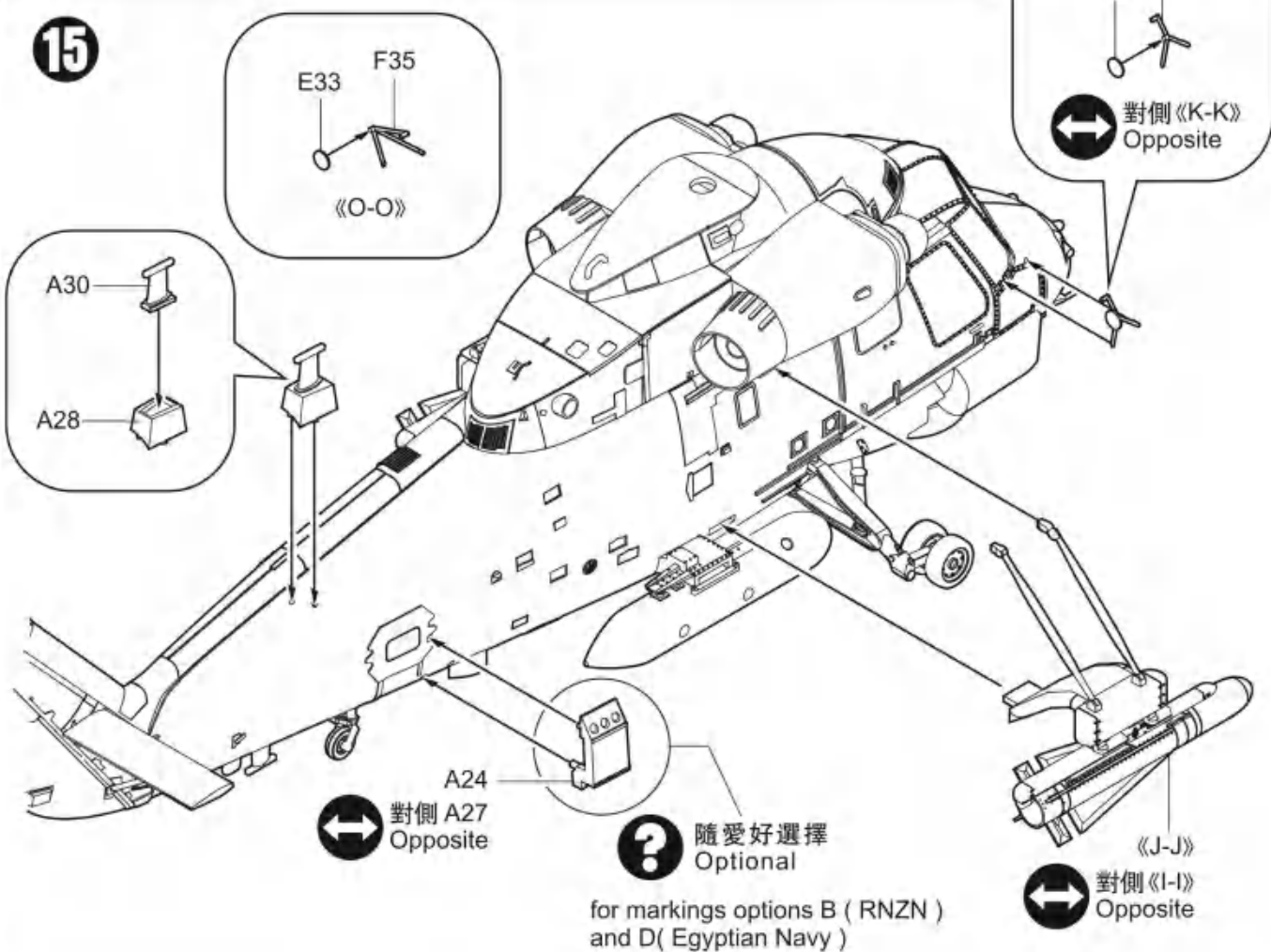
《AGM65》
×2 制作兩組
Make Two



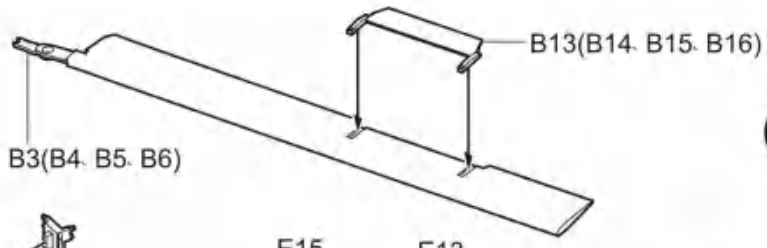
14



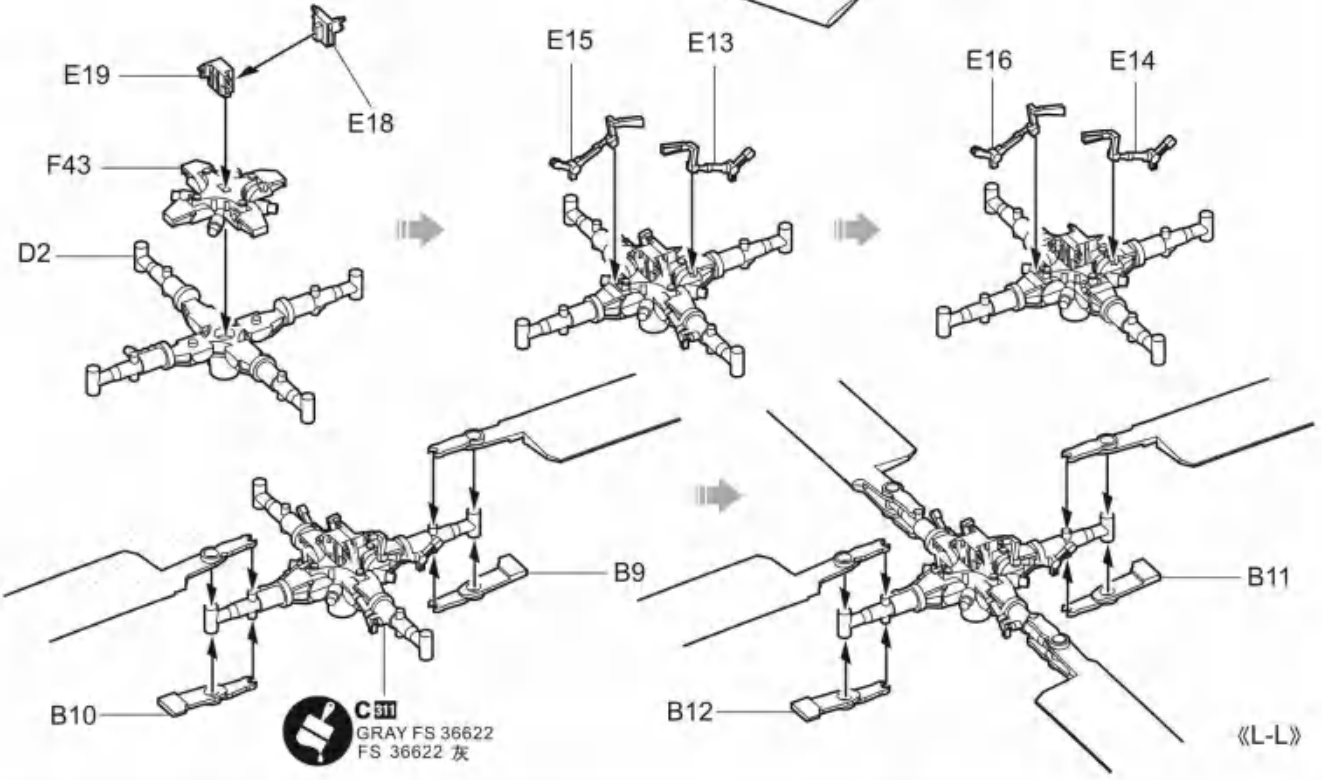
15



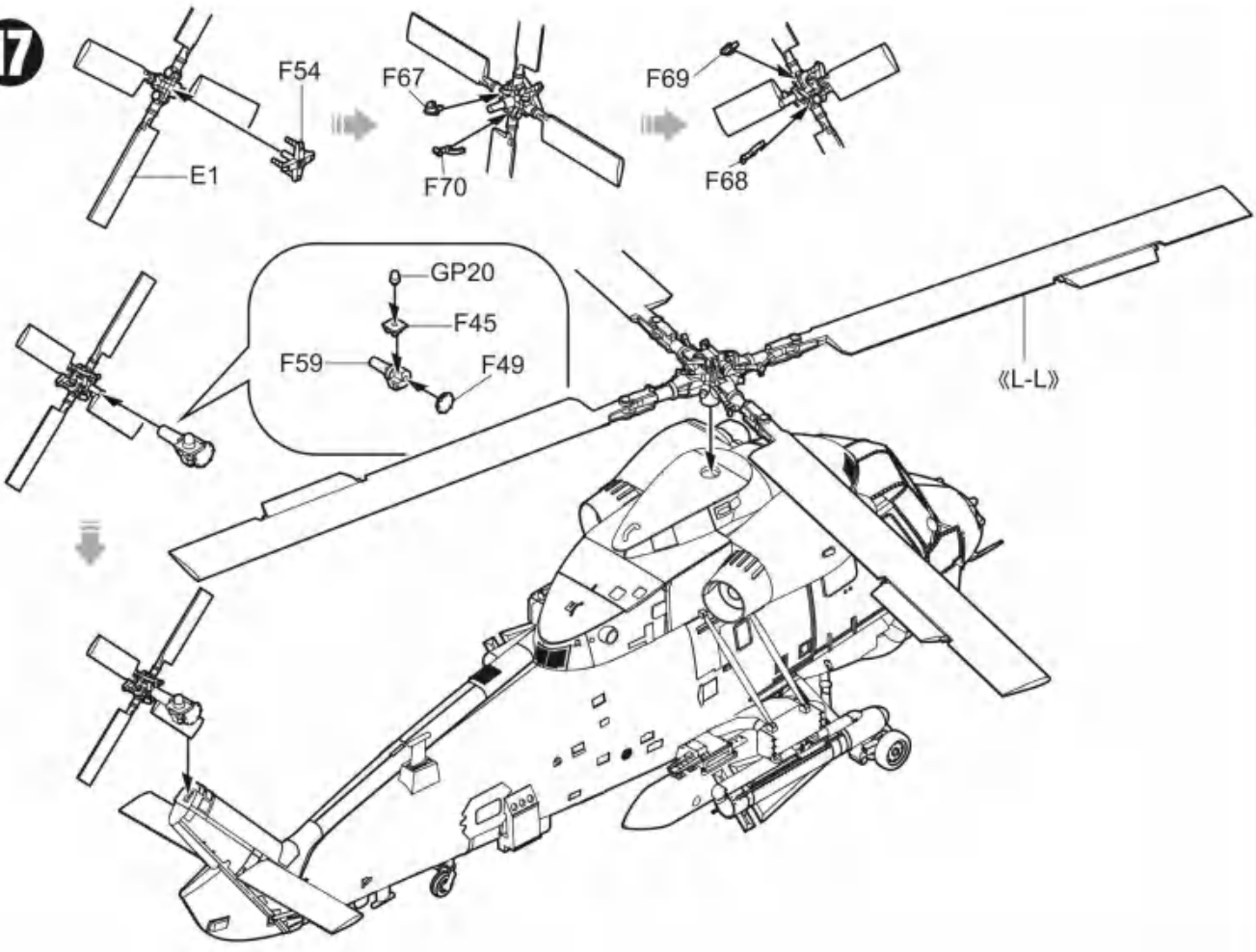
16



x4 制作四组
Make Four

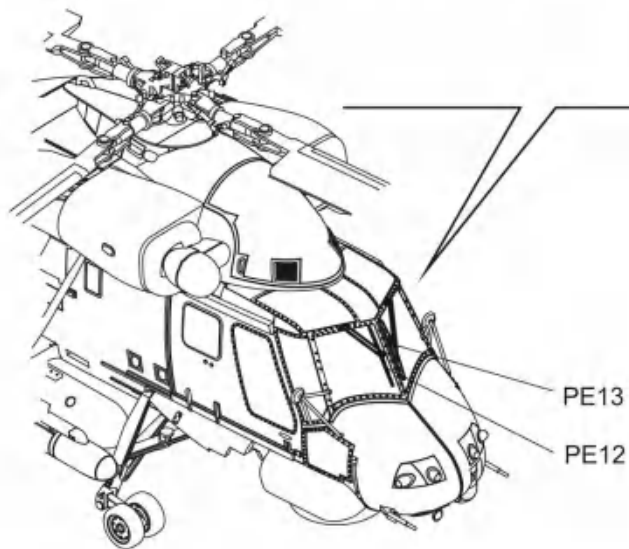
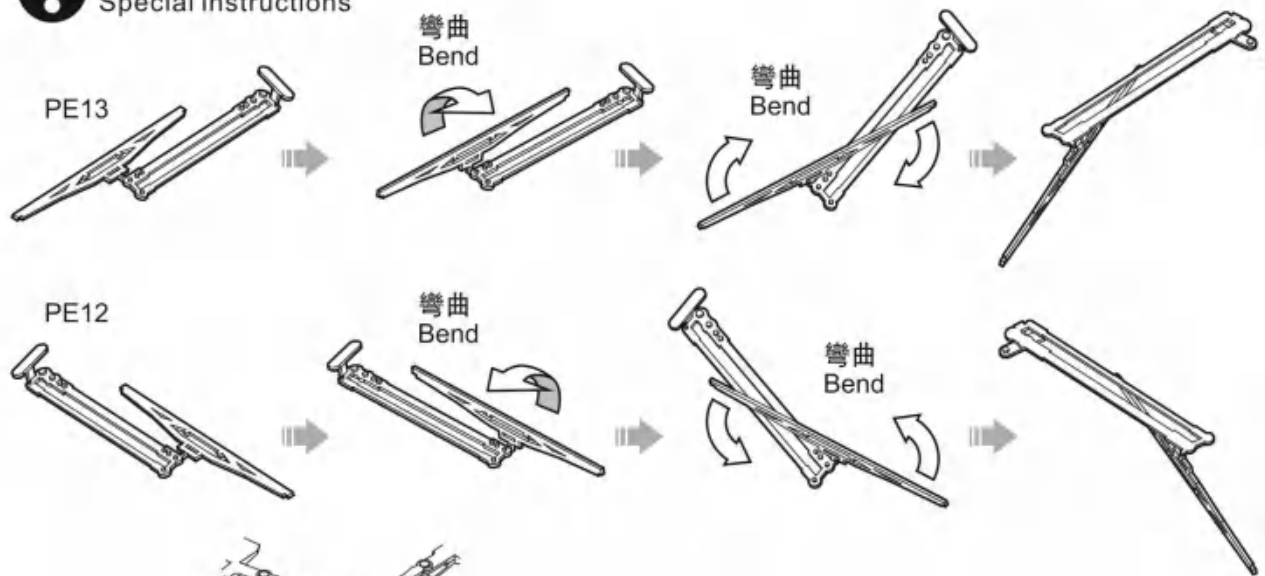


17



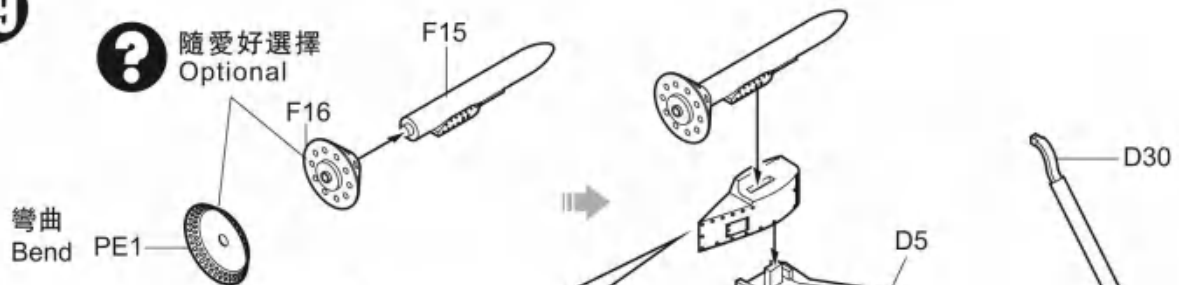
18

! 請注意
Special instructions

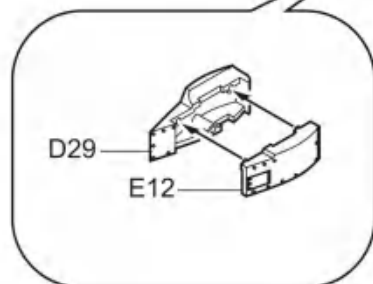


19

? 隨愛好選擇
Optional



! 請注意
Special instructions



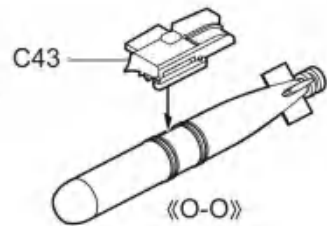
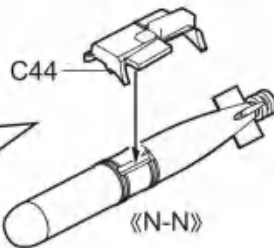
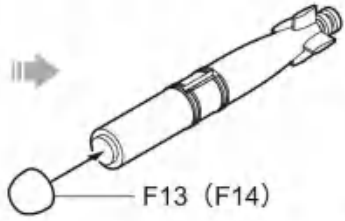
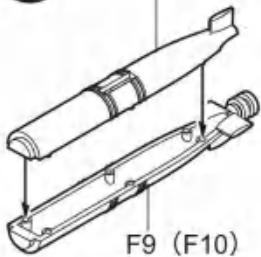
✓ 組合完成
Finished Assembly

《M-M》

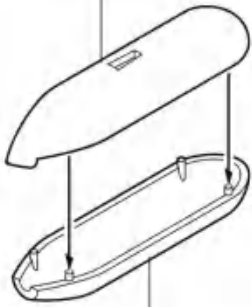
20

F11 (F12)

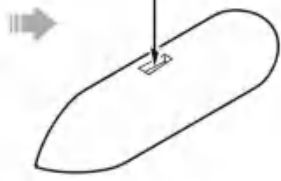
x2 制作兩組
Make Two



F5

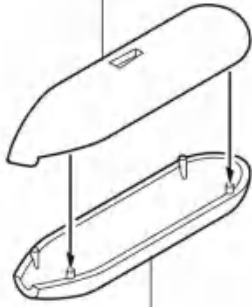


F7



$\langle\langle P-P \rangle\rangle$

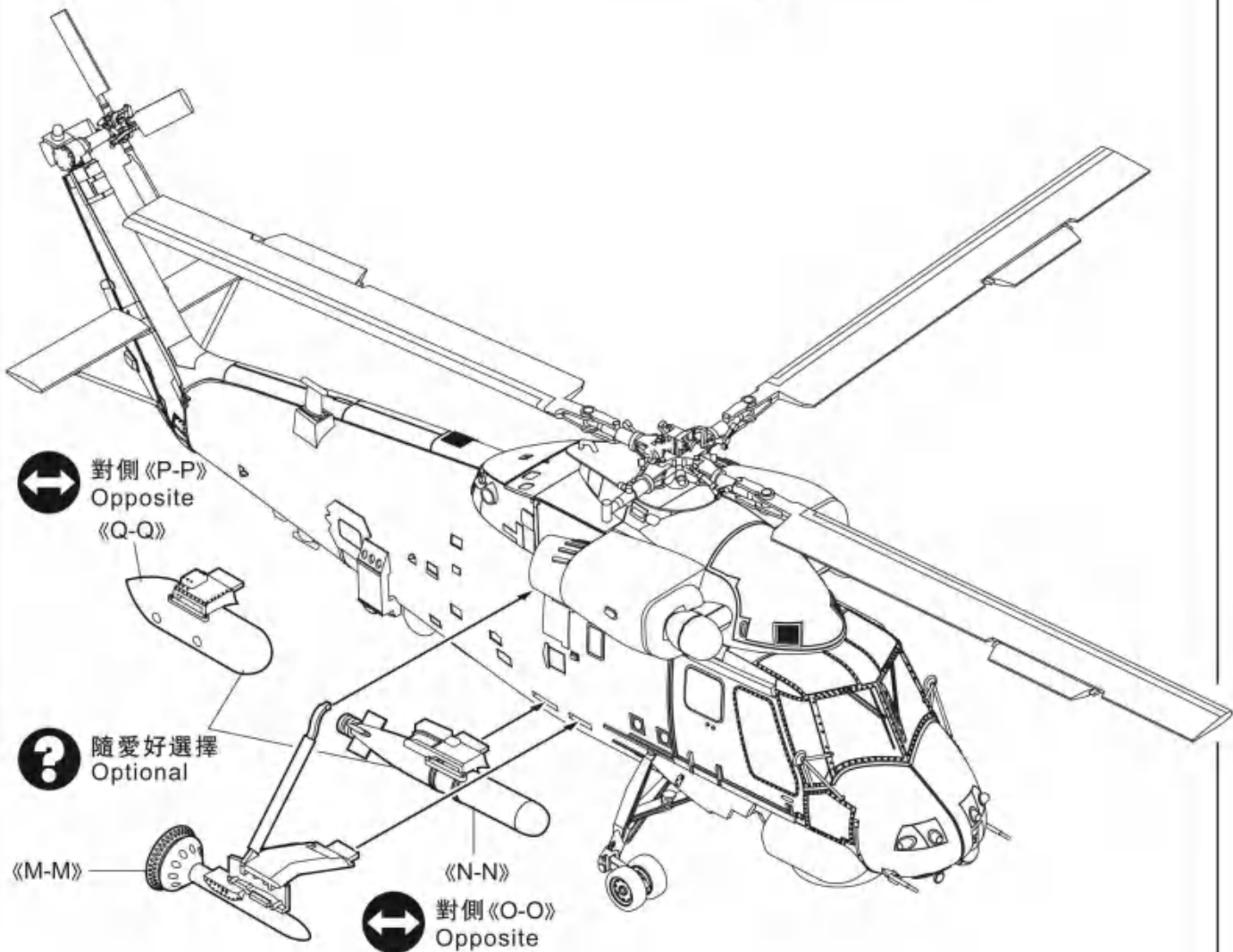
F6



F8



$\langle\langle Q-Q \rangle\rangle$

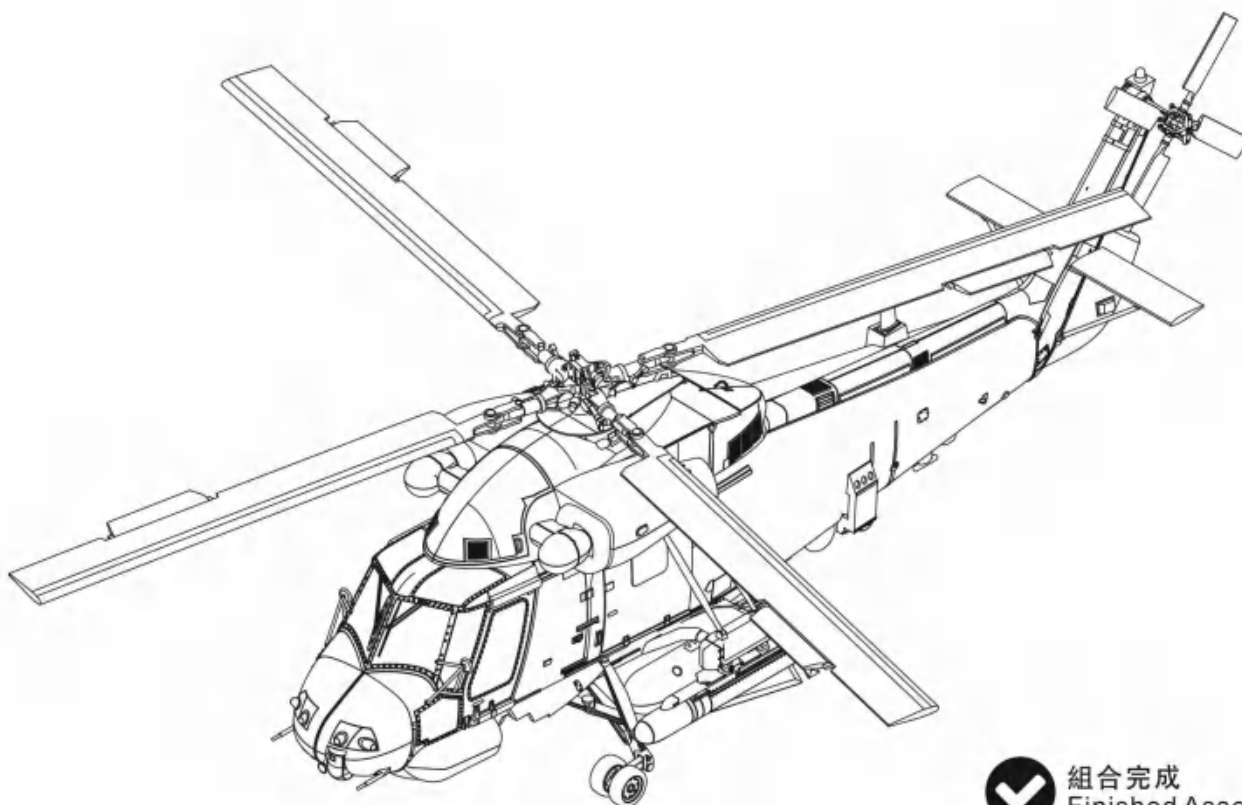



↔ 對側 $\langle\langle P-P \rangle\rangle$
Opposite
$\langle\langle Q-Q \rangle\rangle$

? 隨愛好選擇
Optional

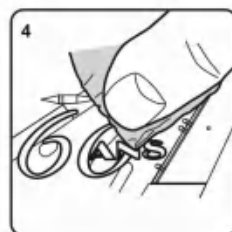
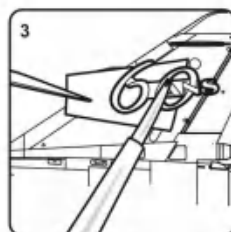
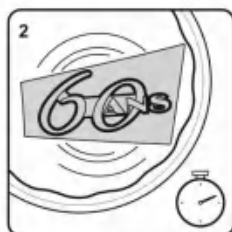
$\langle\langle M-M \rangle\rangle$

↔ 對側 $\langle\langle O-O \rangle\rangle$
Opposite




 組合完成
 Finished Assembly

DECAL APPLICATION



1. Cut off decal from transfer sheet.
2. Dip the decal in water for about 10 seconds (may take more seconds if in low temperature), and place on a clean cloth.
3. Hold the backing paper edge and slide decal onto the model. Then move decal into position by wetting decal with brush or finger.
4. Press decal gently down with a soft cloth until excess water and air bubbles are gone.



Copy Right 2015, Kitty Hawk. All Rights Reserved.

PRINTED IN CHINA

1:48 SH-2G "Super Seasprite"
Painting & marking Guide

A. U.S Navy, Super Seasprite from HSL-94 Willow



Illustration by Chen JiaLi
 GUNZE SANGYO Mr. color used

Painting & marking Guide

B_Royal New Zealand Navy (RNZN)

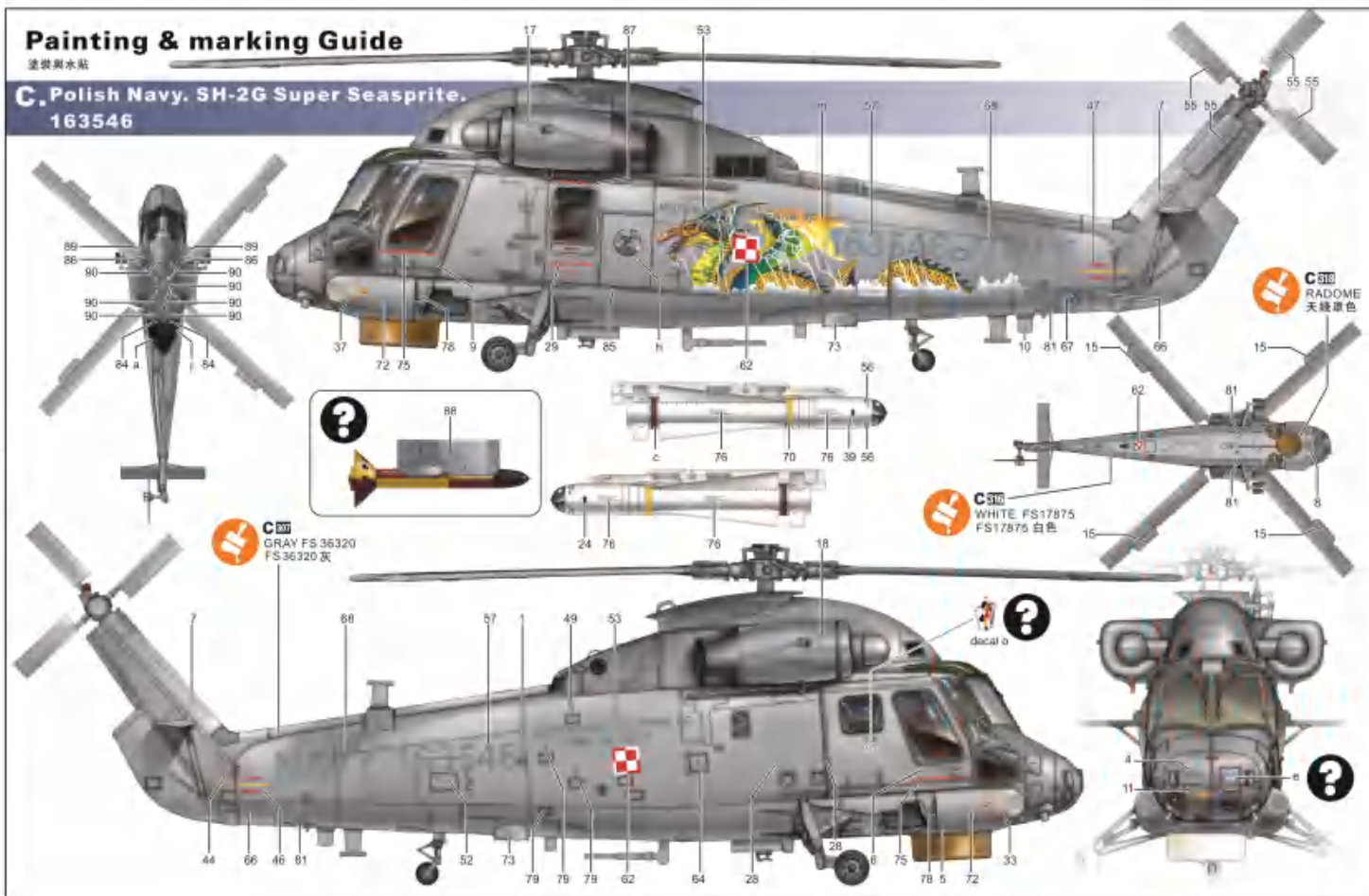


Illustration by Chen JiaLi
GUNZE SANGYO Mr. color used

Painting & marking Guide

塗裝與水貼

C Polish Navy. SH-2G Super Seasprite.
163546



Painting & marking Guide

塗裝與標記

D. Egyptian Navy.

