



1:48 scale

F9F-8 & F9F-8P

"COUGAR"

拼裝說明書

Instruction



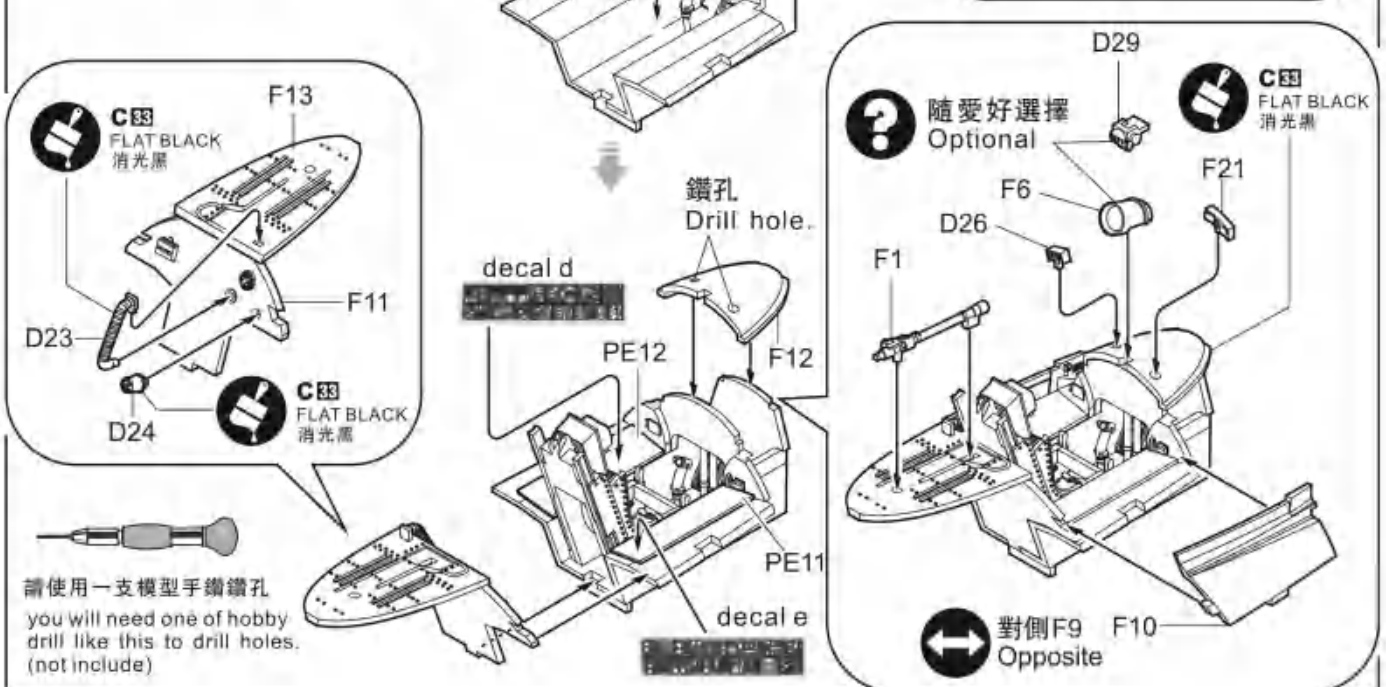
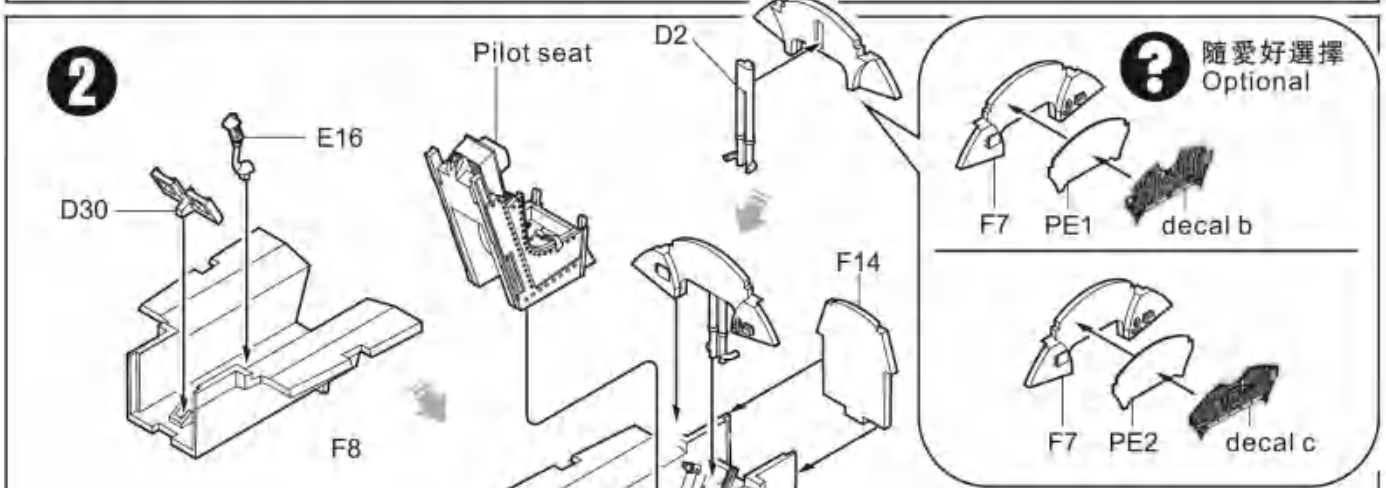
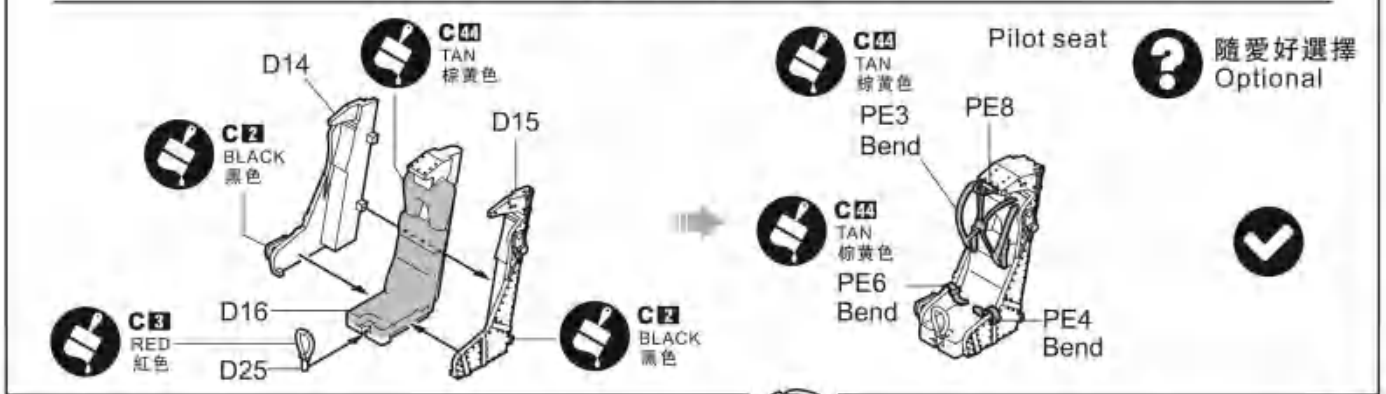
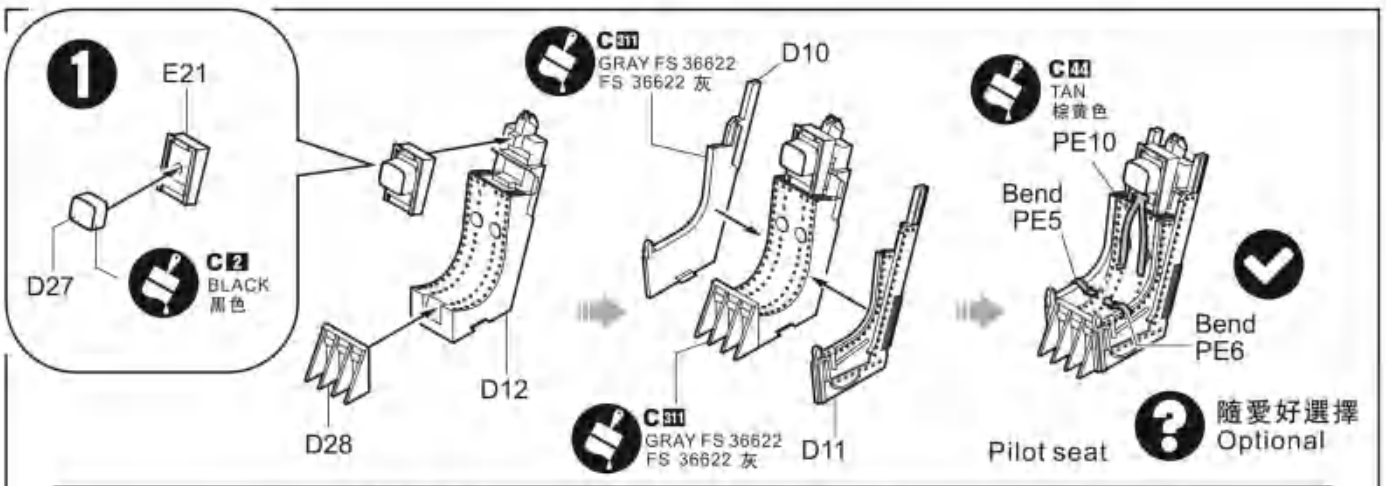
RESEARCH MATERIALS
PROVIDED BY
DETAIL & SCALE
www.detailandscale.com



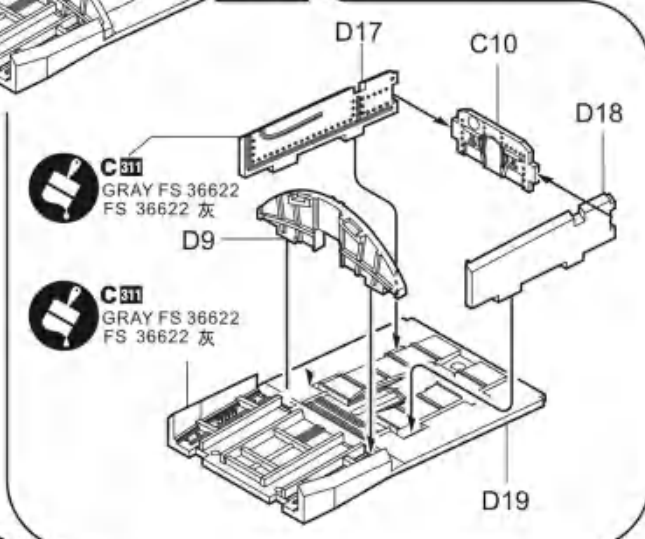
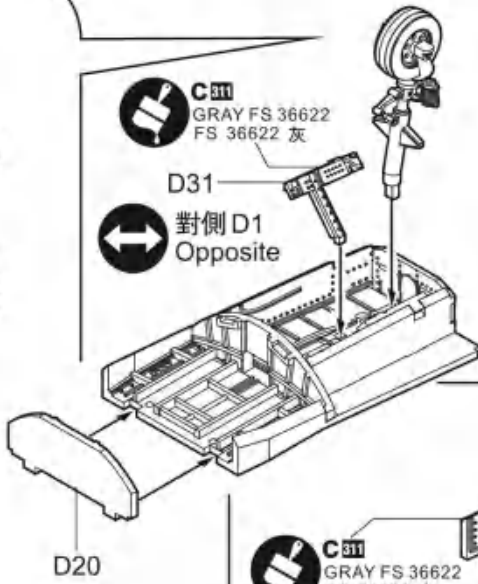
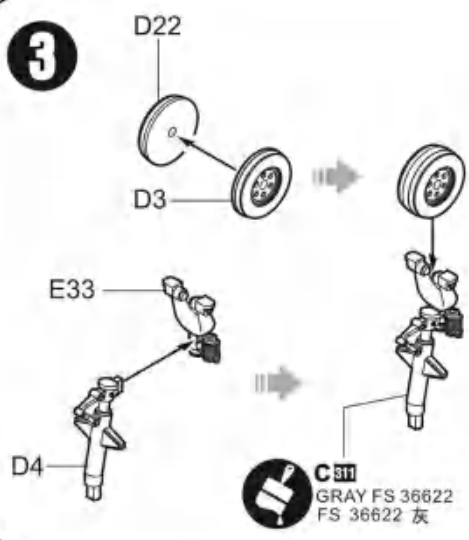
Instruction

F9F-8 & F9F-8P
"美洲獅"

ITEM NO. ZM80127

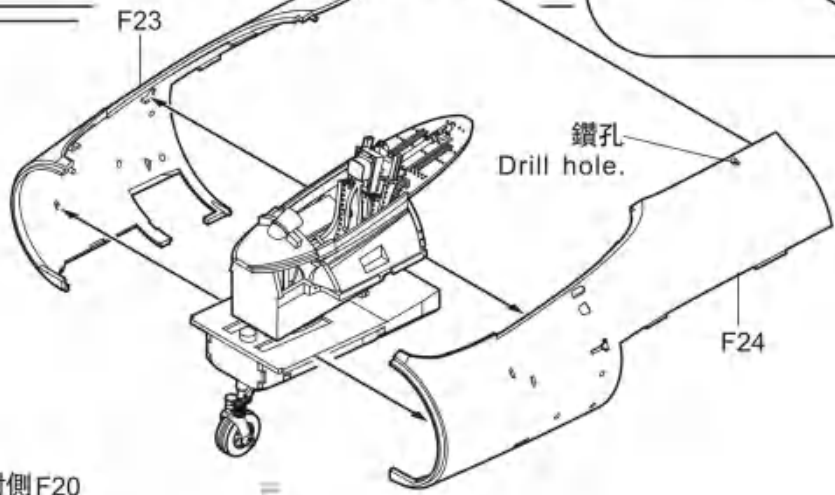


3

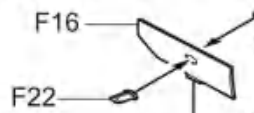


鑽孔
Drill hole.

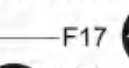
4



對側 F20
Opposite



對側 E20
Opposite



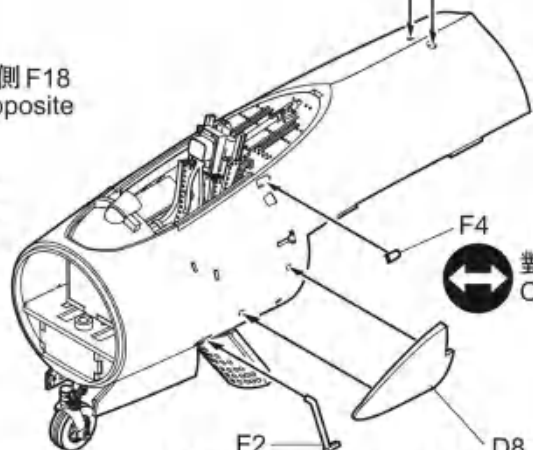
對側 F18
Opposite

C3
RED
紅色

C3
RED
紅色

D5
對側 D6
Opposite

GP1-8 GP1-11



對側相同
Both sides

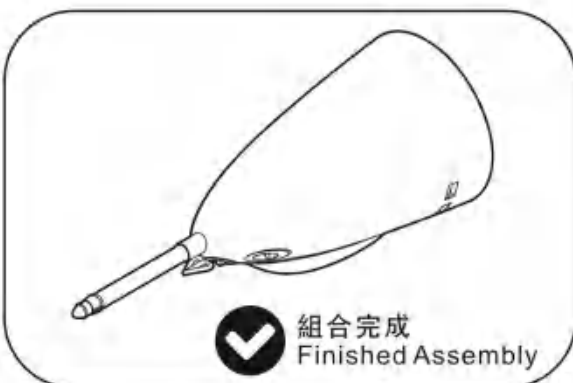
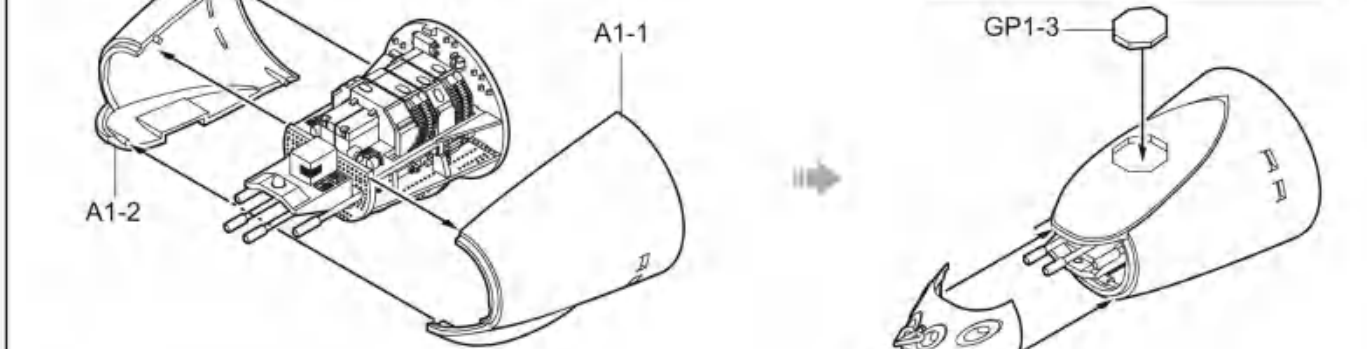
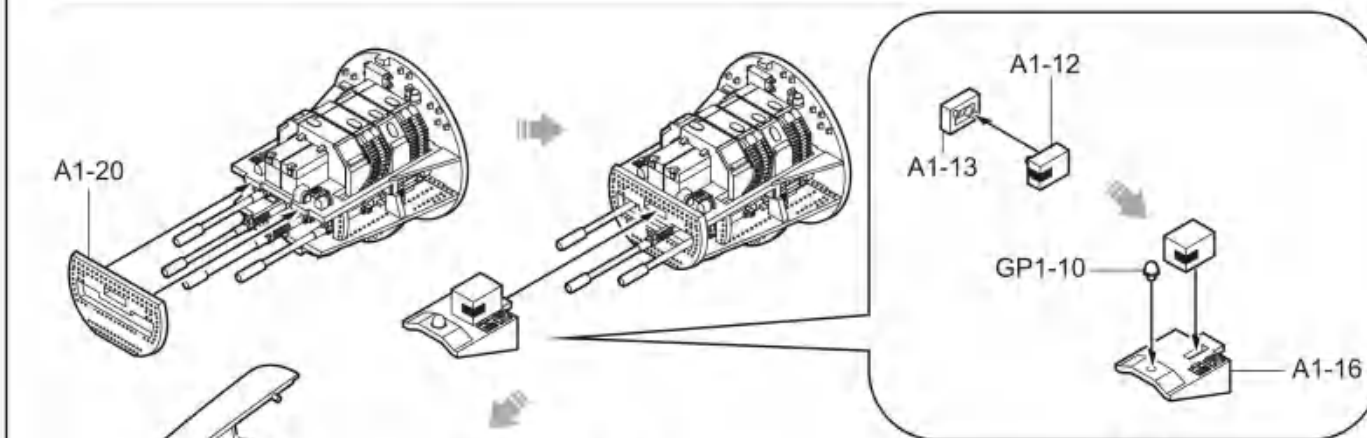
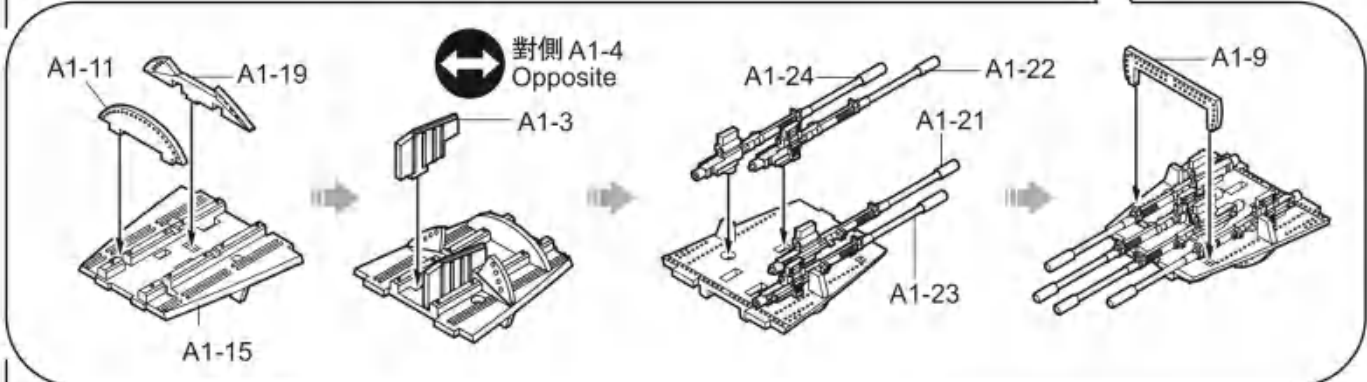
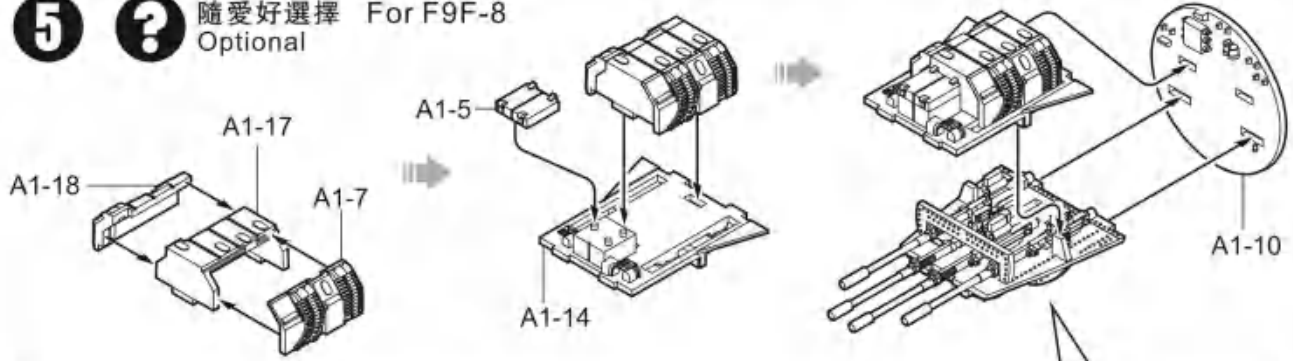
?
隨愛好選擇
Optional

對側 D7
Opposite

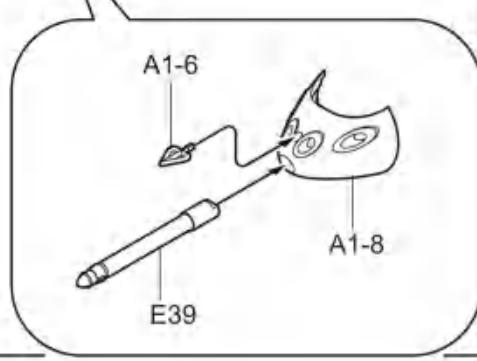
5

?

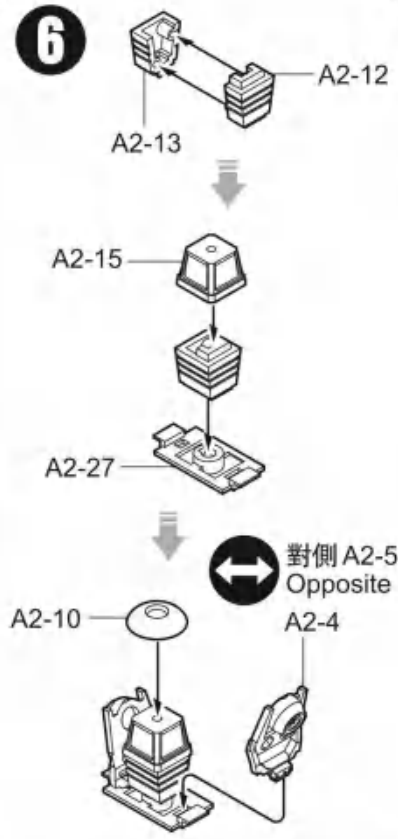
隨愛好選擇 For F9F-8
Optional



組合完成
Finished Assembly

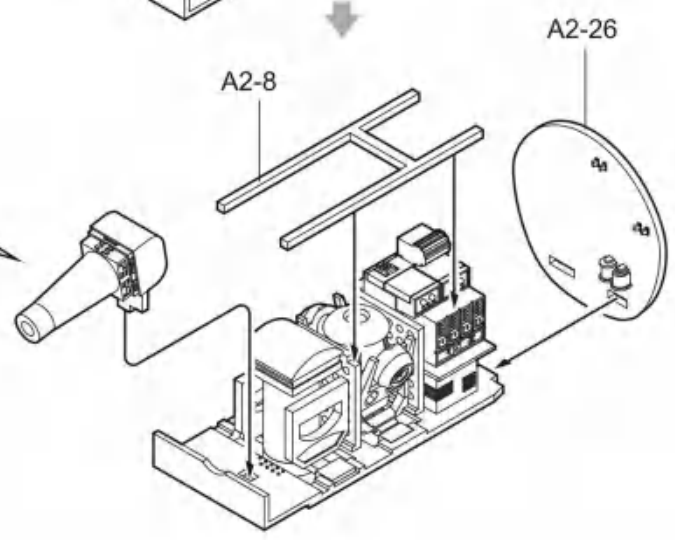
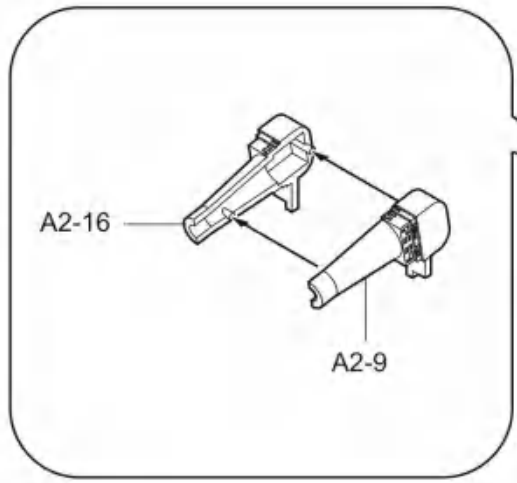
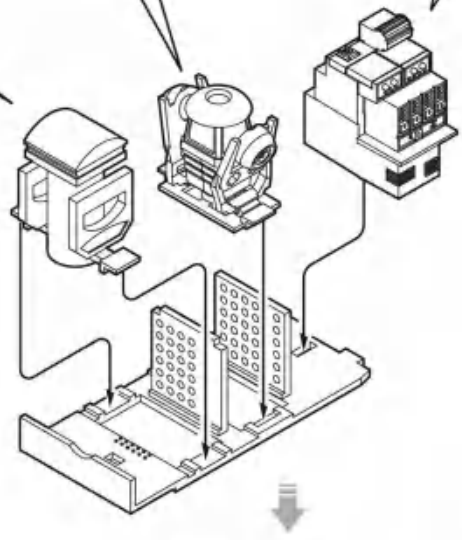
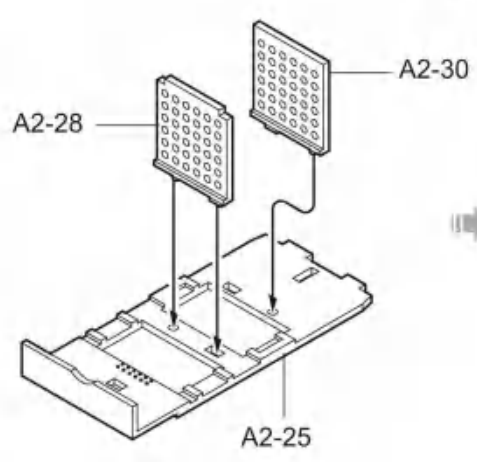
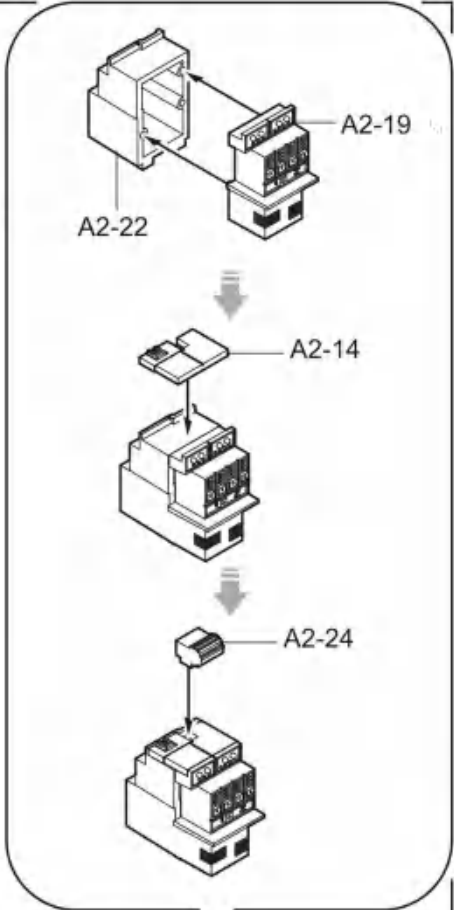
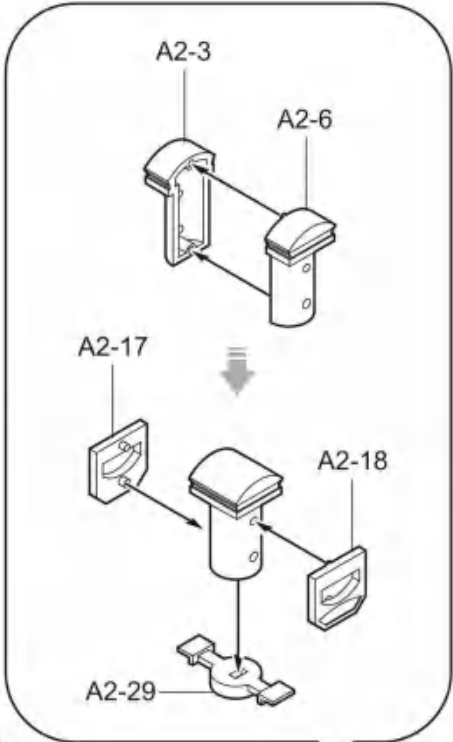


6

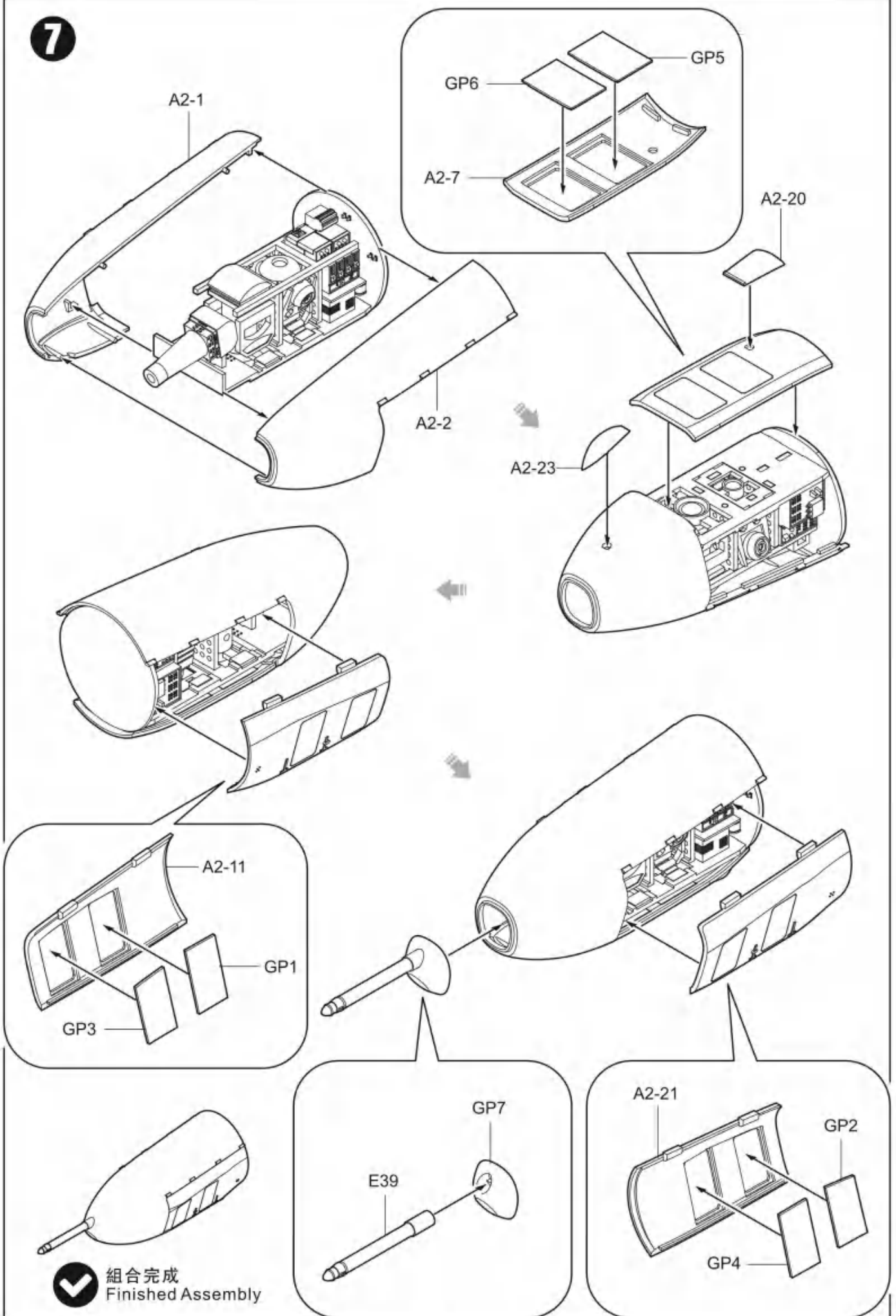


?

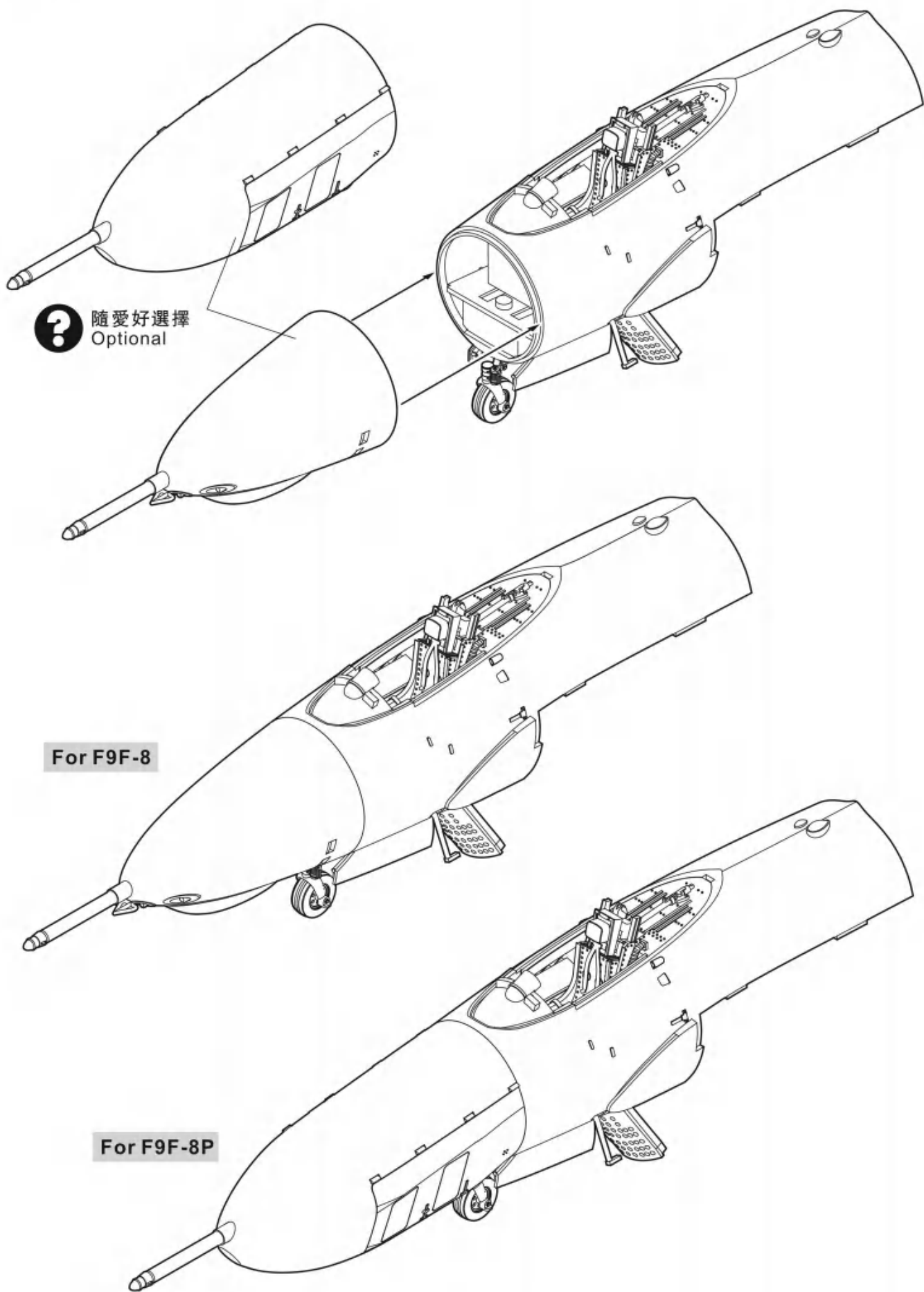
隨愛好選擇 For F9F-8P
Optional



7



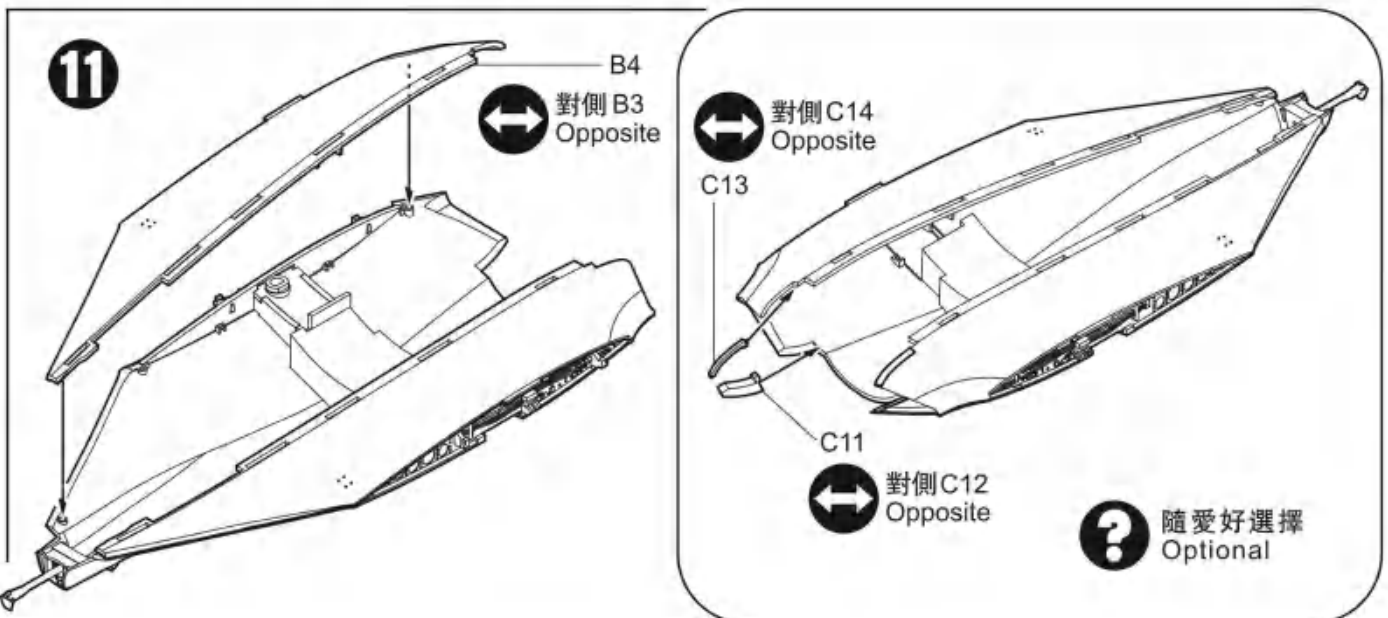
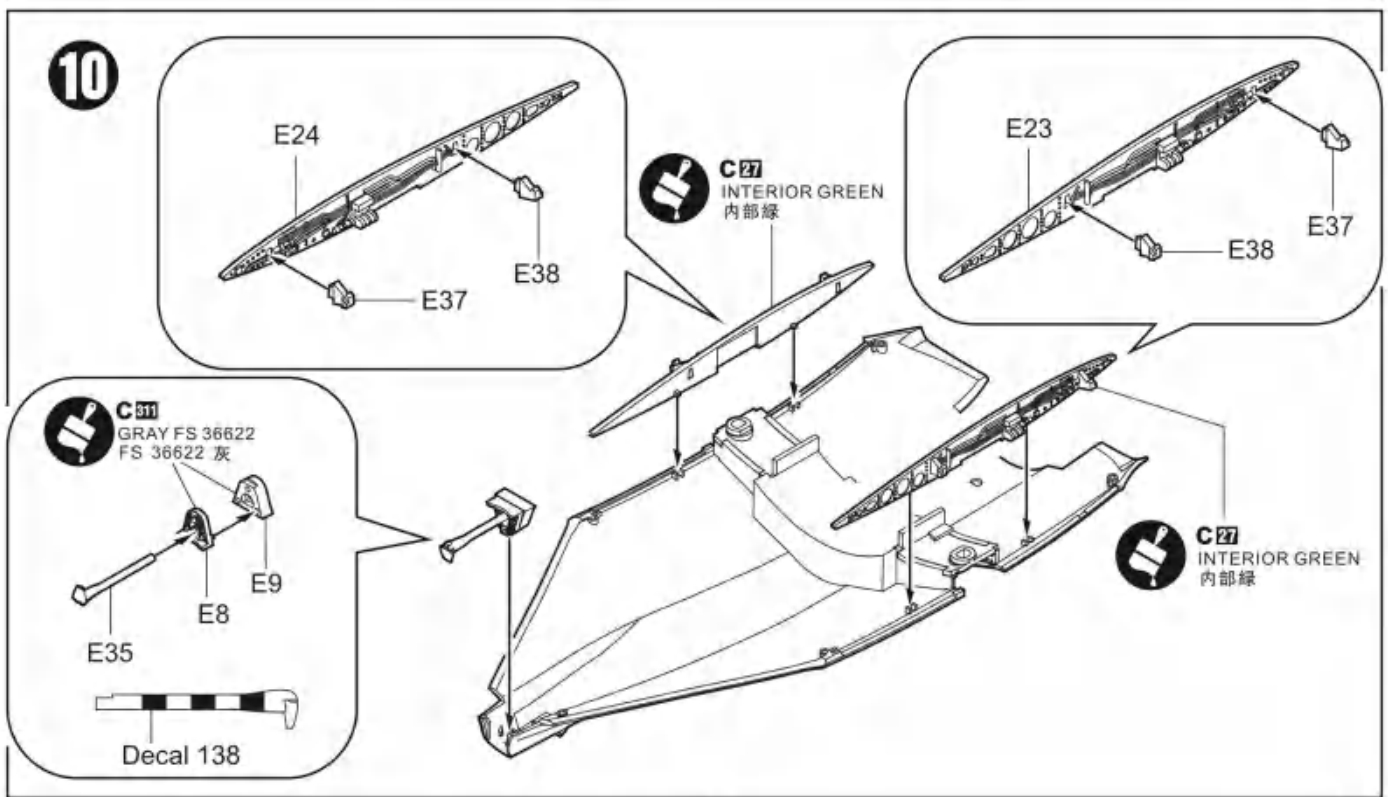
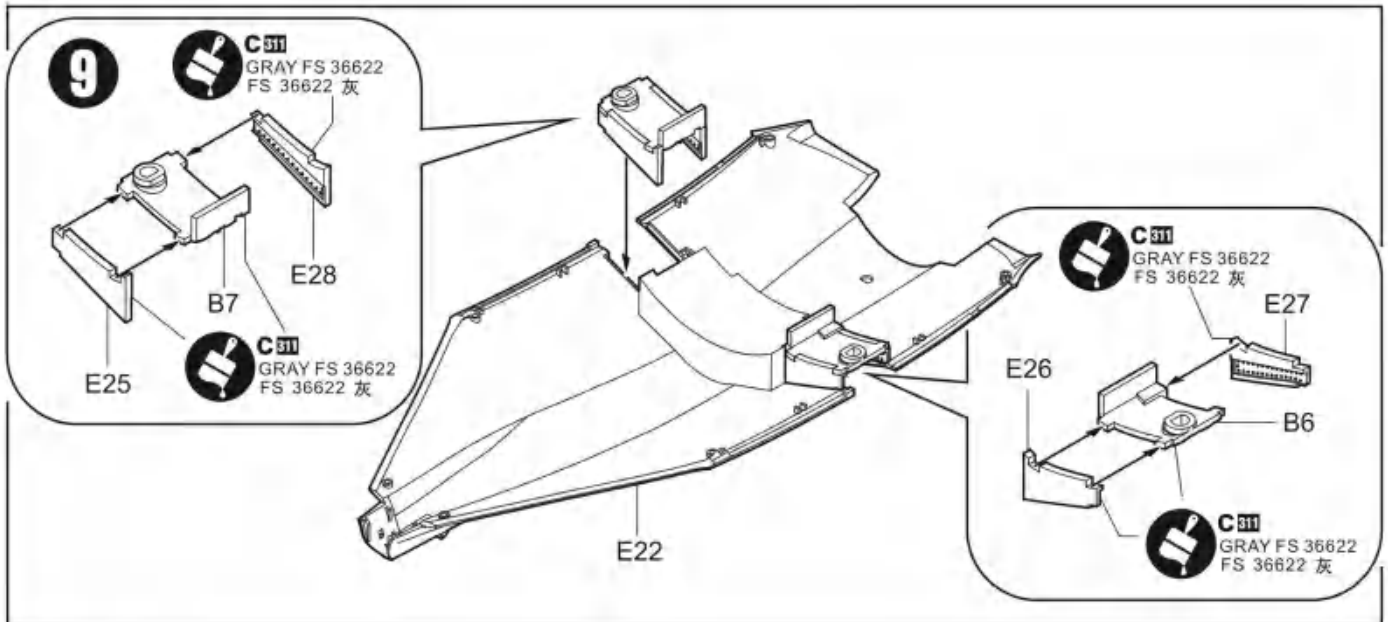
8

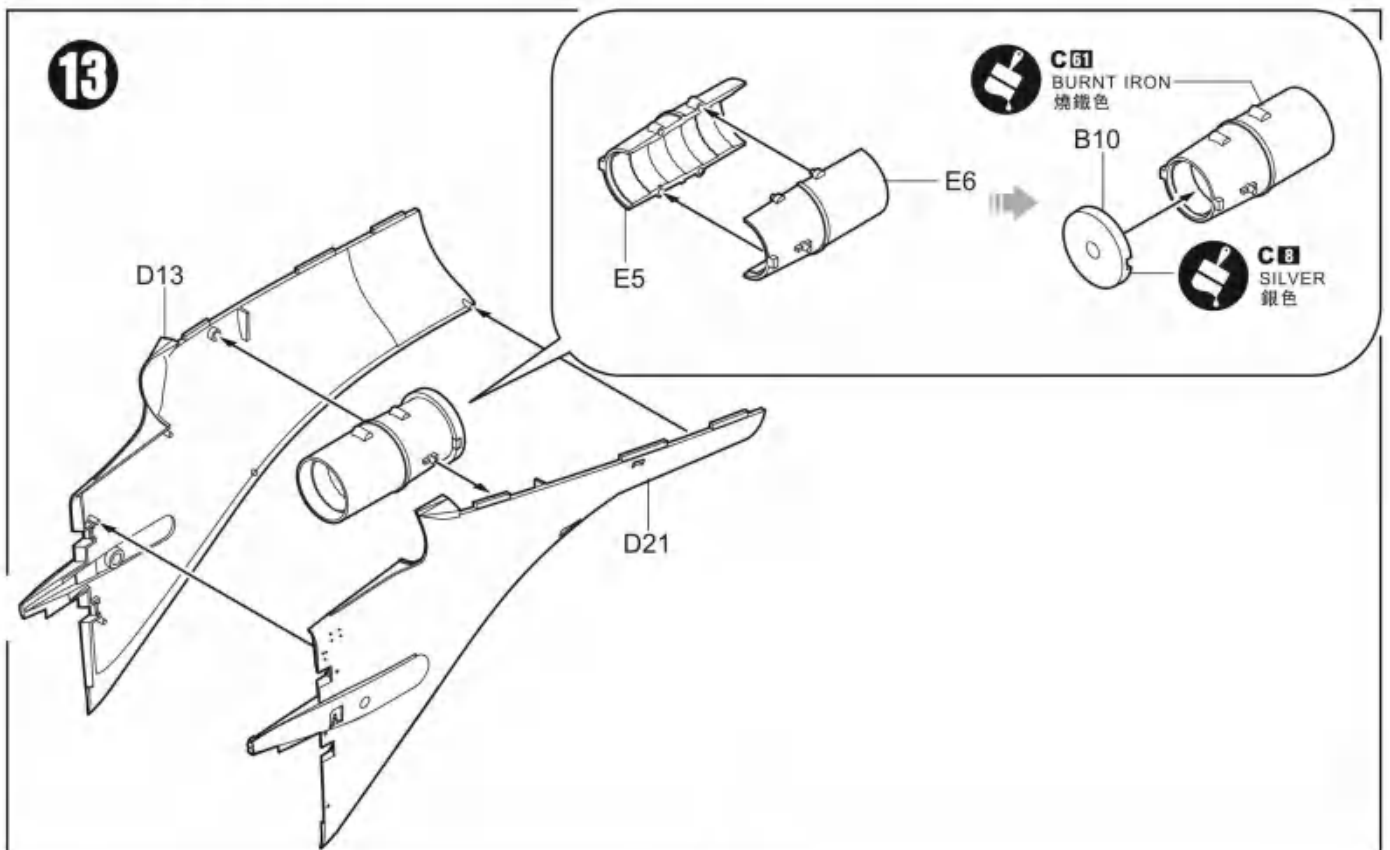
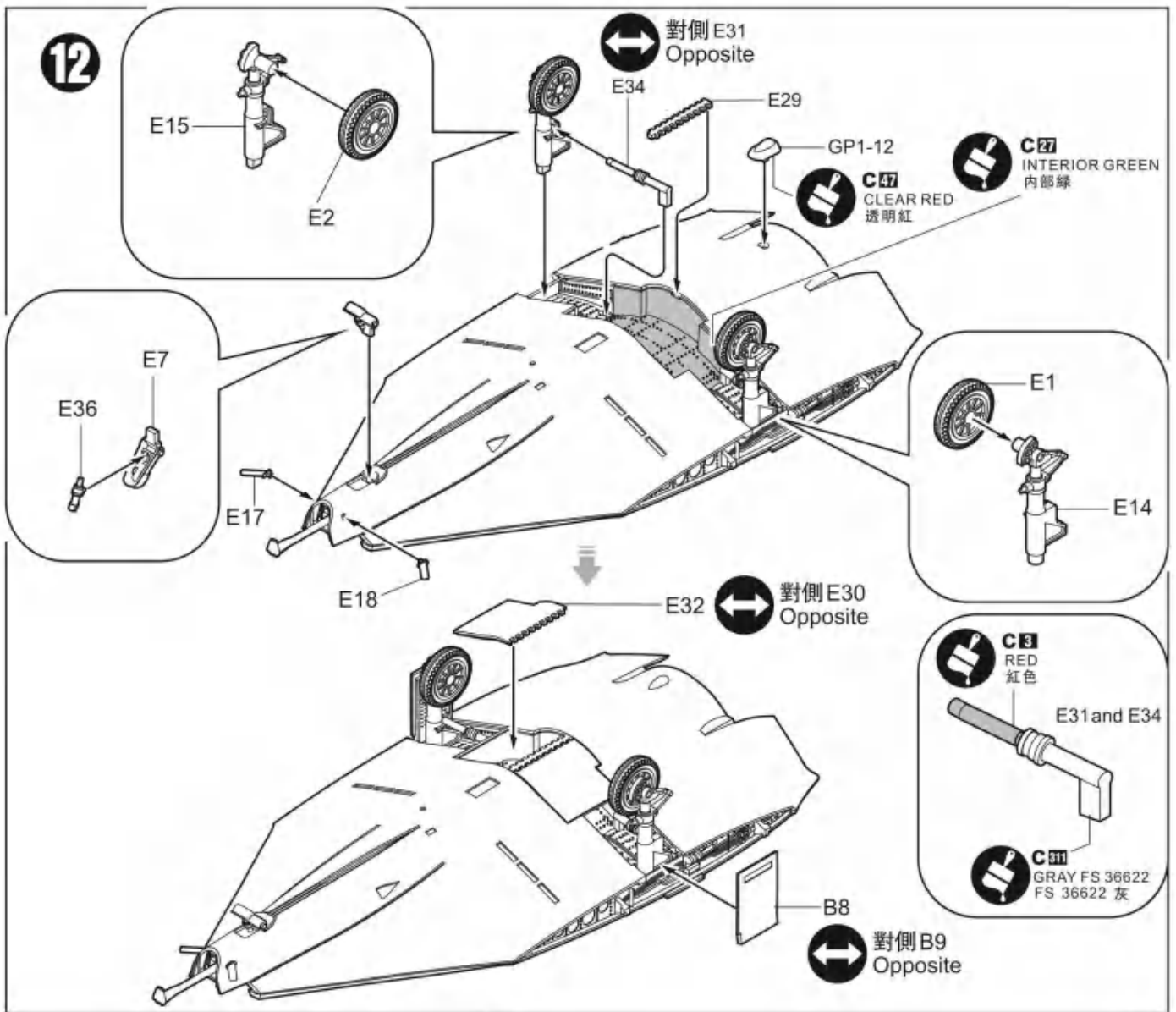


? 隨愛好選擇
Optional

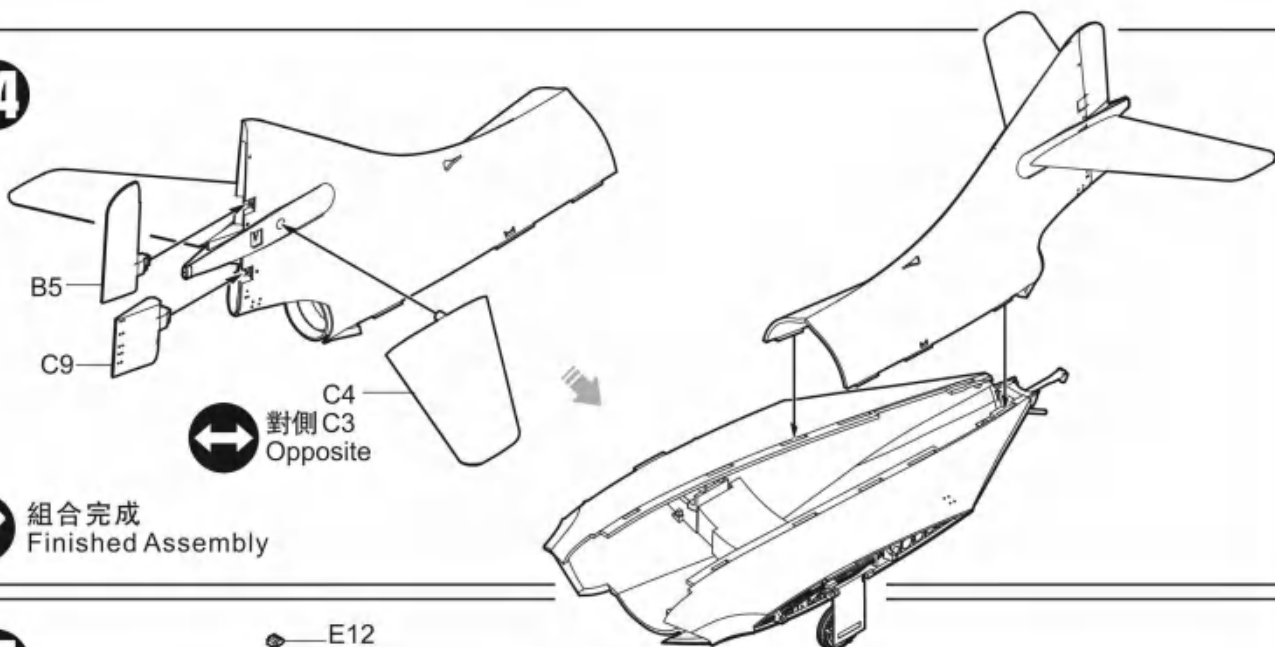
For F9F-8

For F9F-8P

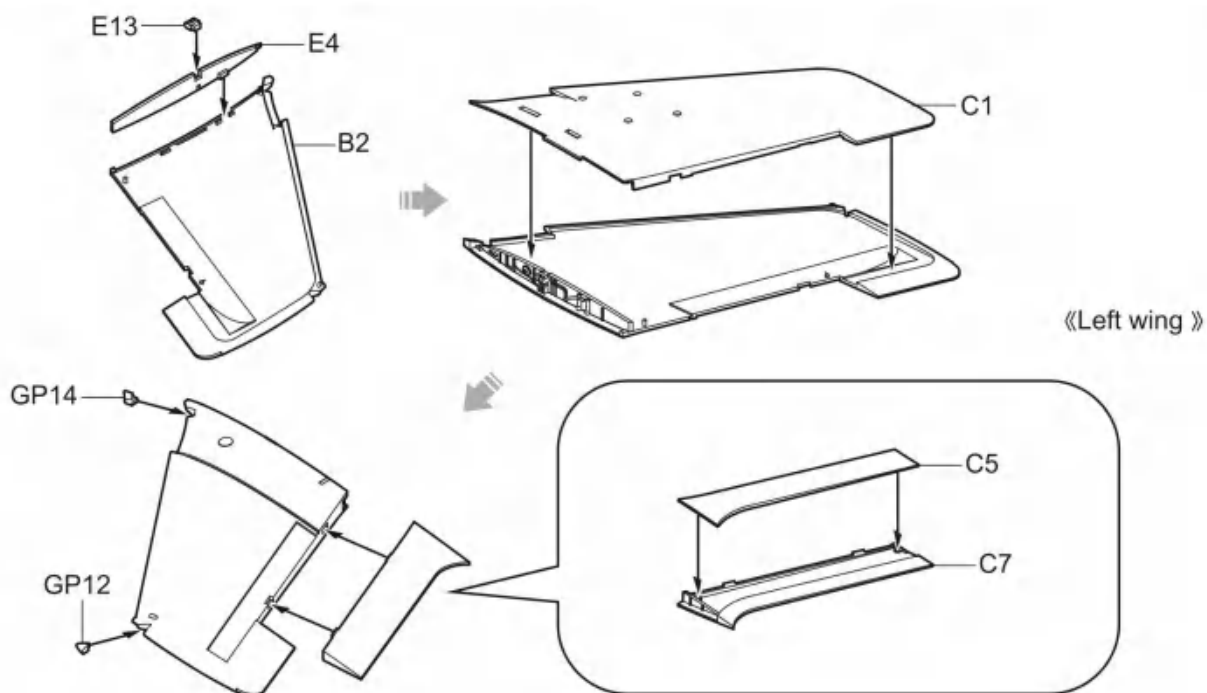
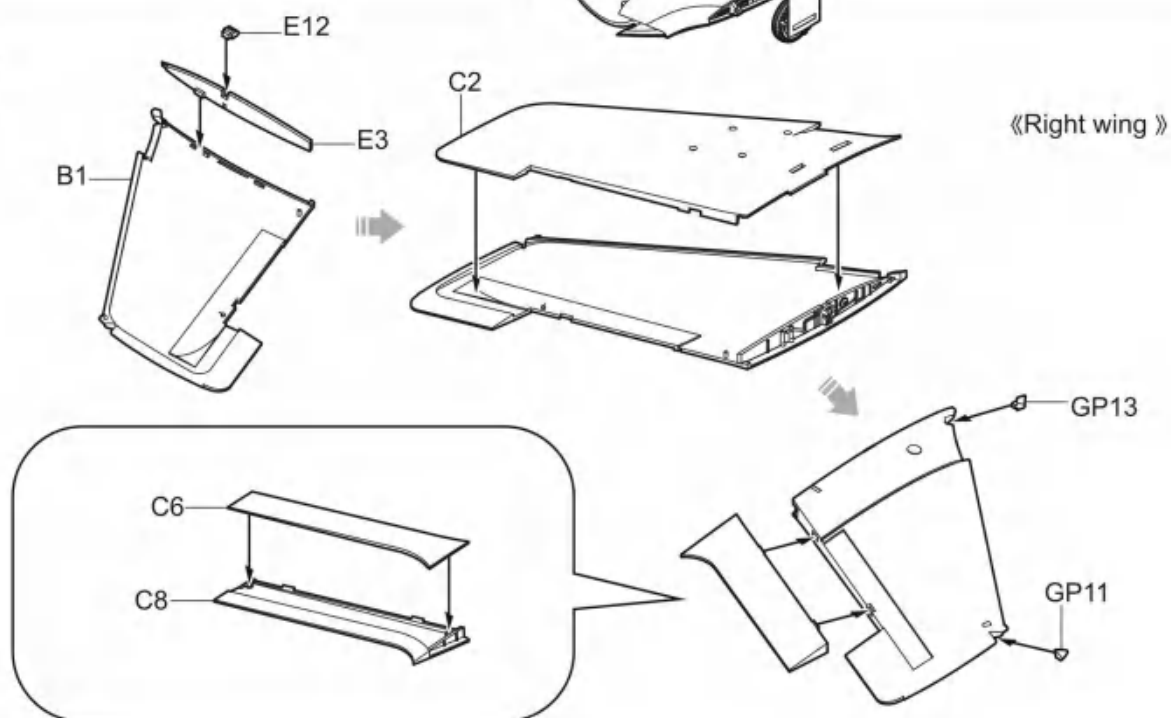




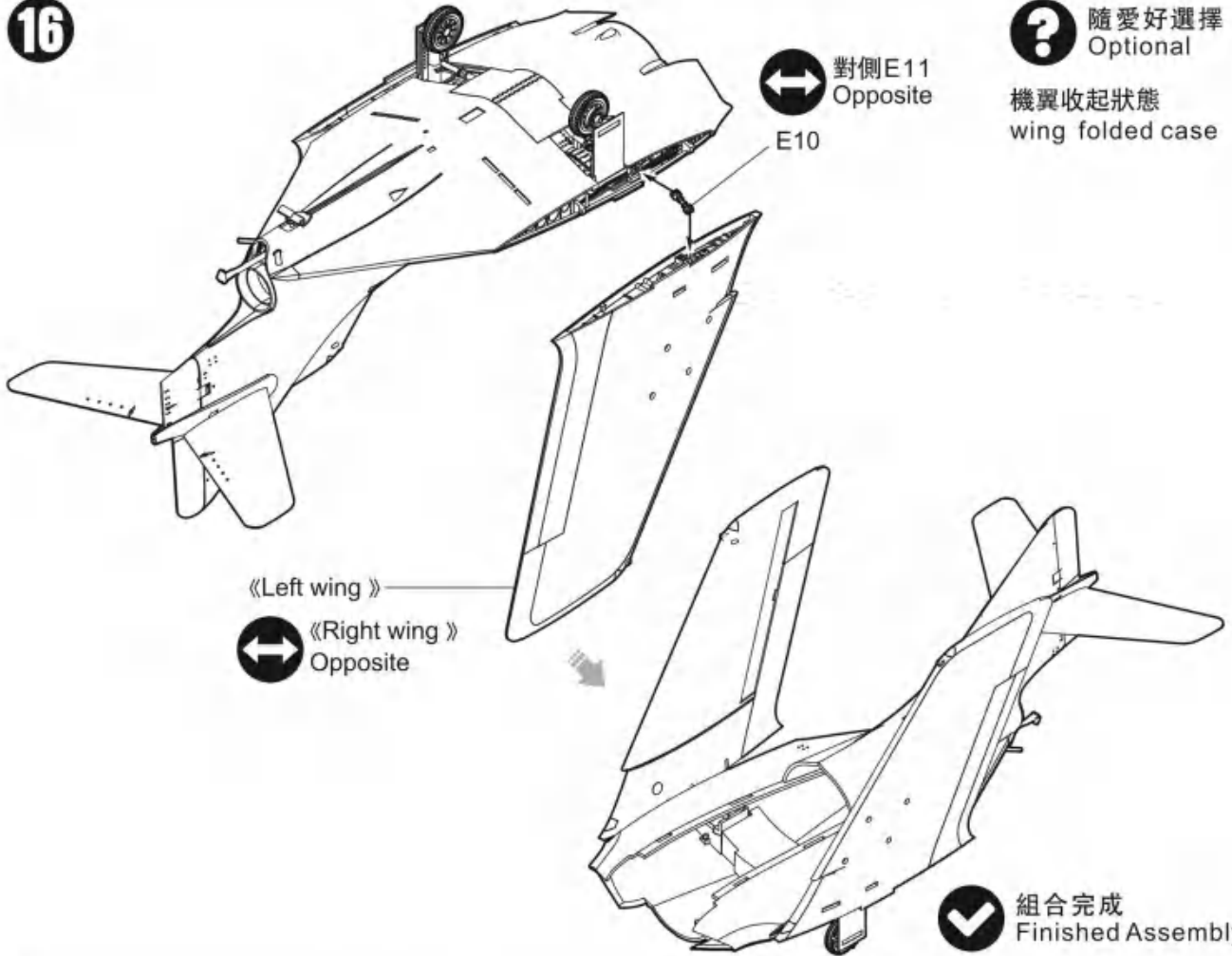
14



15

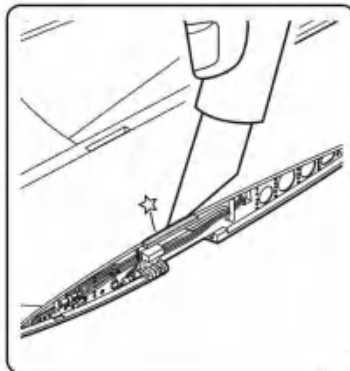


16



? 隨愛好選擇
Optional

機翼收起狀態
wing folded case



當制作機翼展開狀態時，請切除陰影部分的零件
remove this Grey shading indicates when the wing unfold

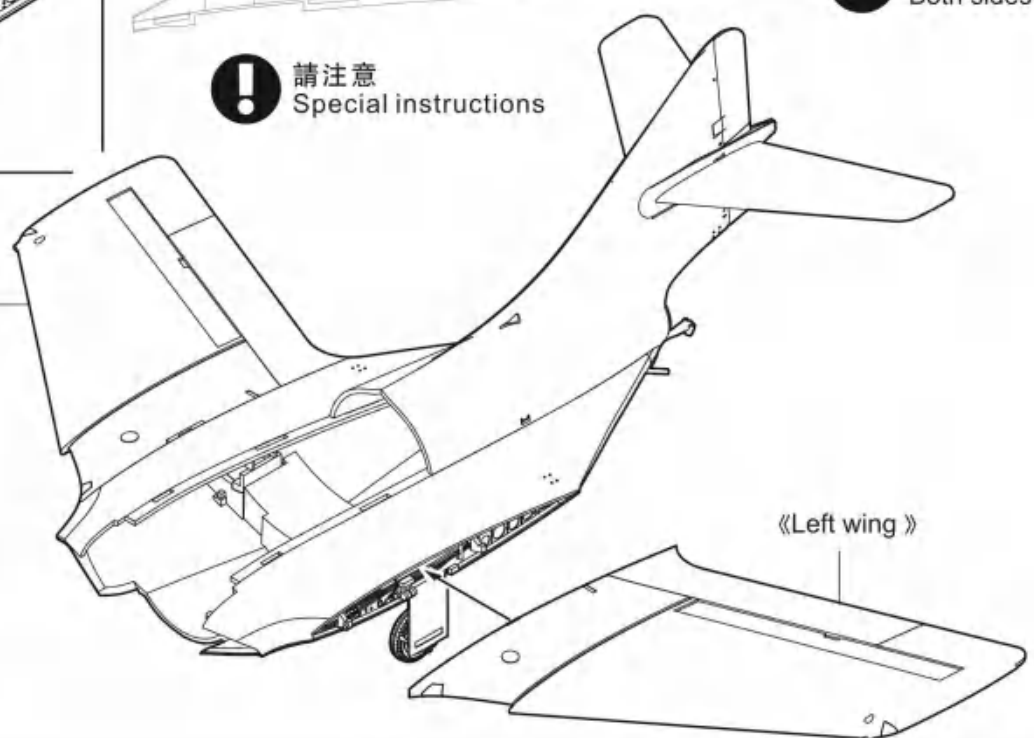


! 請注意
Special instructions

《Right wing》

? 隨愛好選擇
Optional

機翼打開狀態
wing unfold case



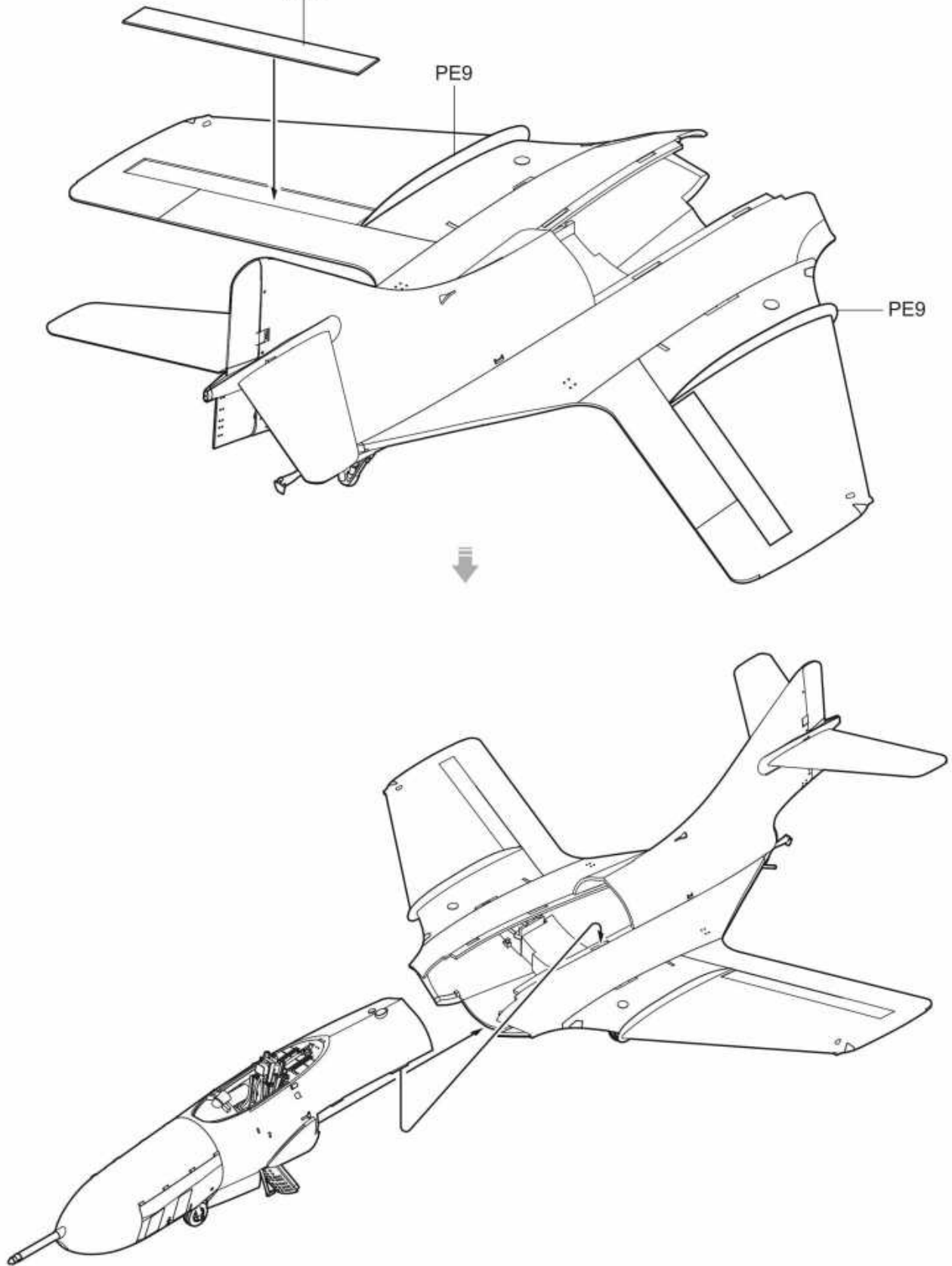
17

↔ 對側PE14
Opposite

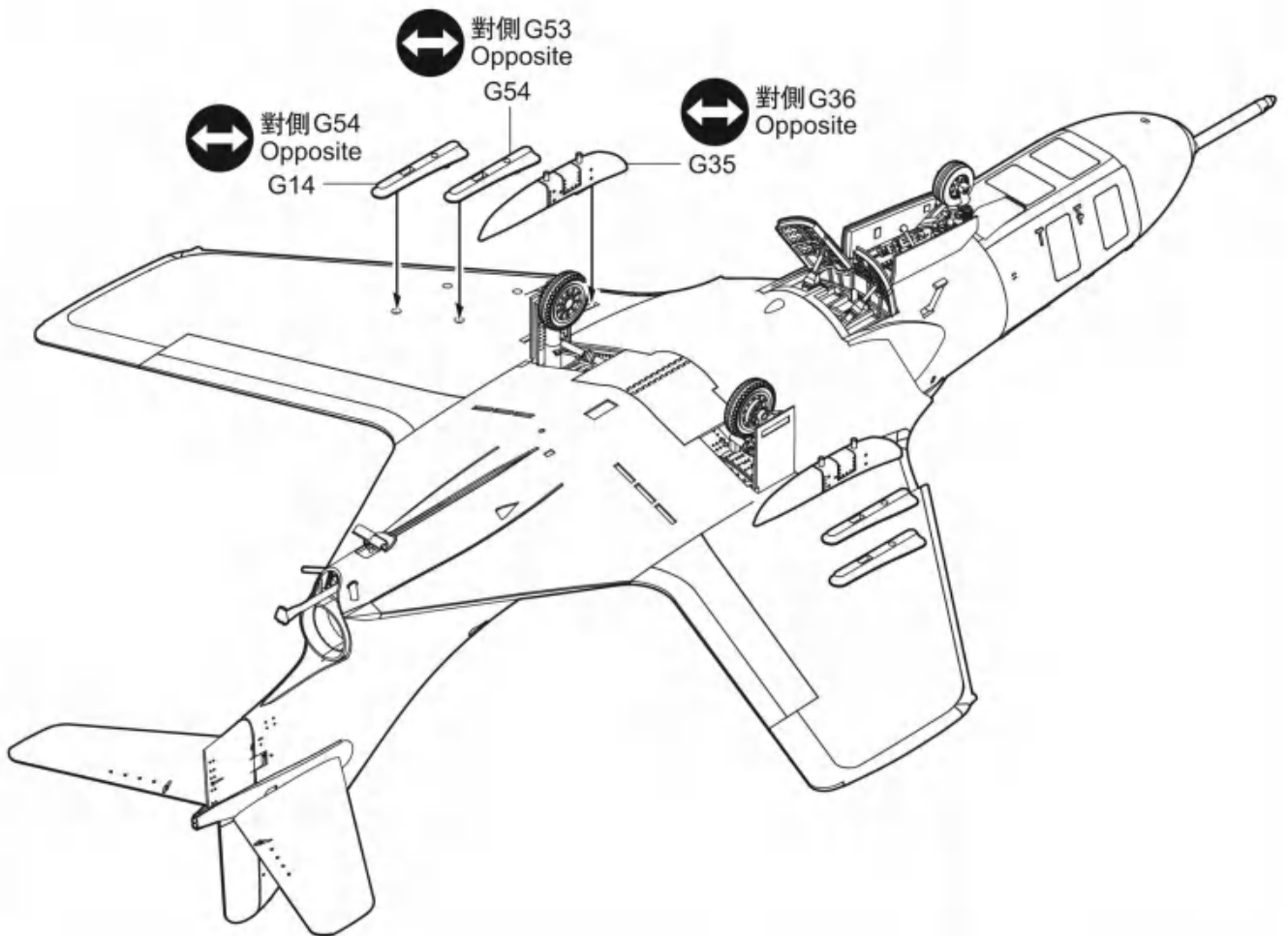
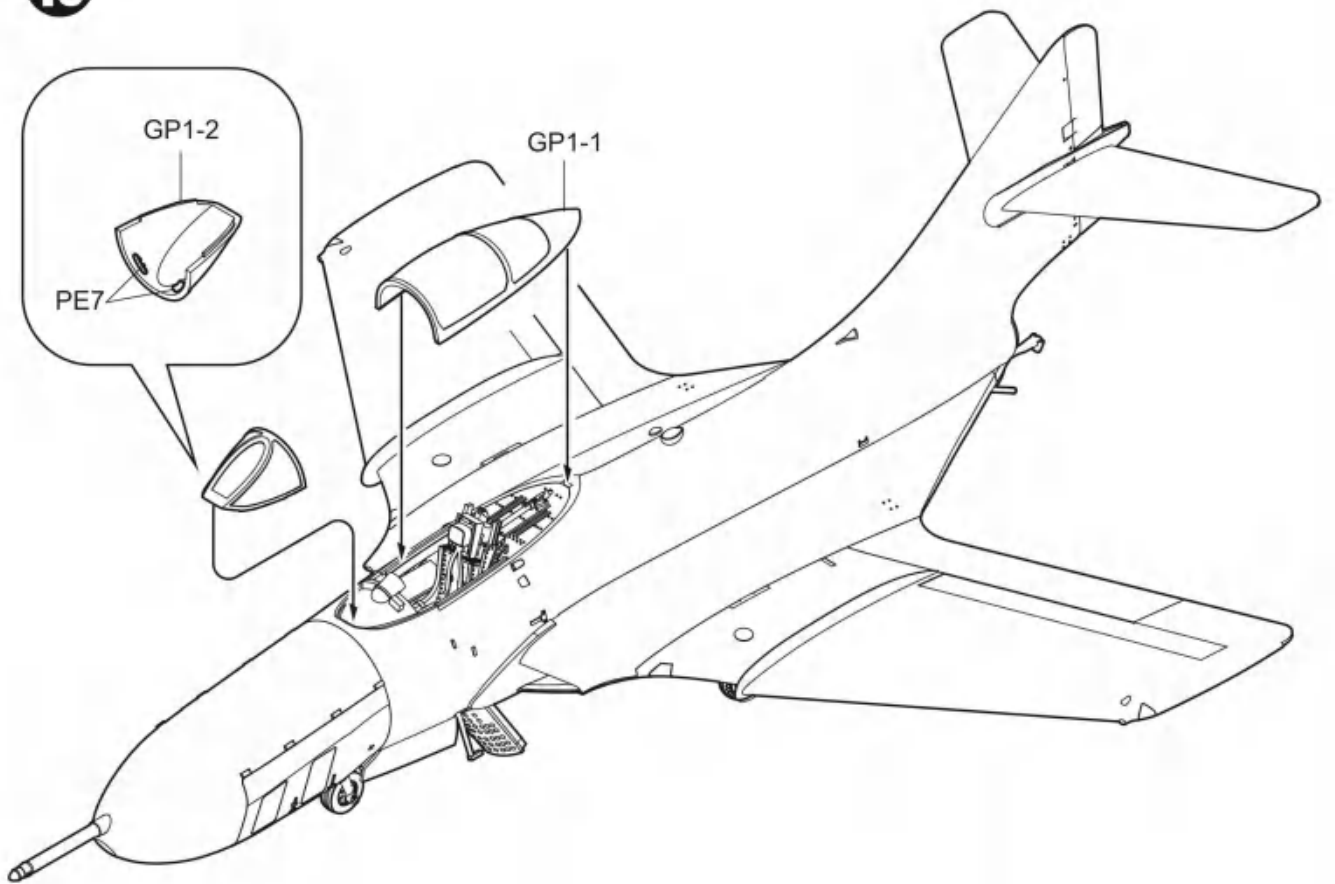
PE13

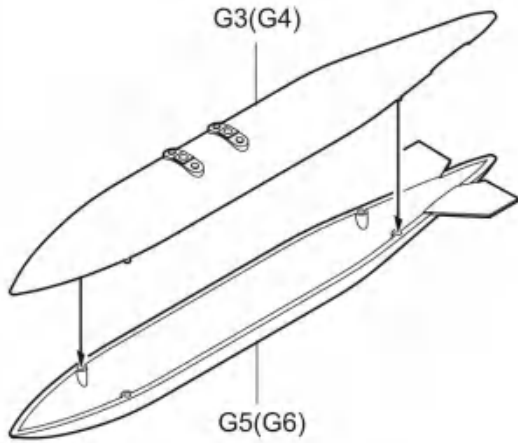
PE9

PE9



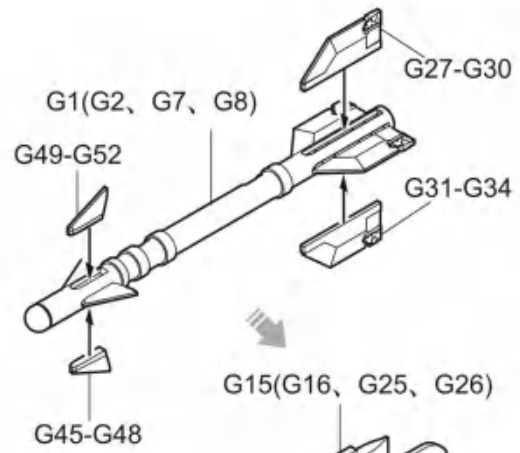
18





《 Fuel tank 》

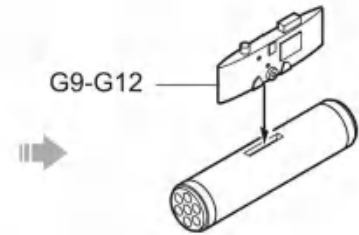
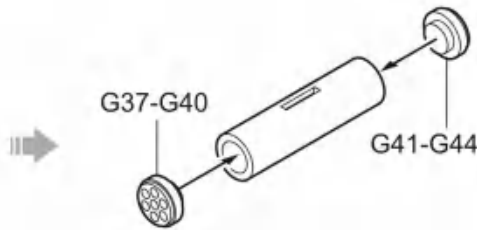
x2 制作兩組
Make Two



《 AIM-9B 》

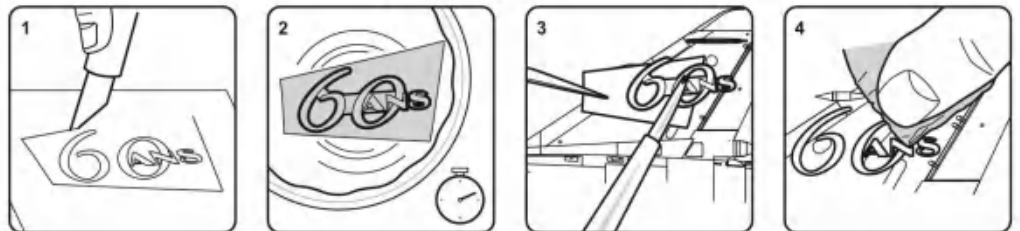
x4 制作四組
Make Four

《 2.75 in Rocket 》



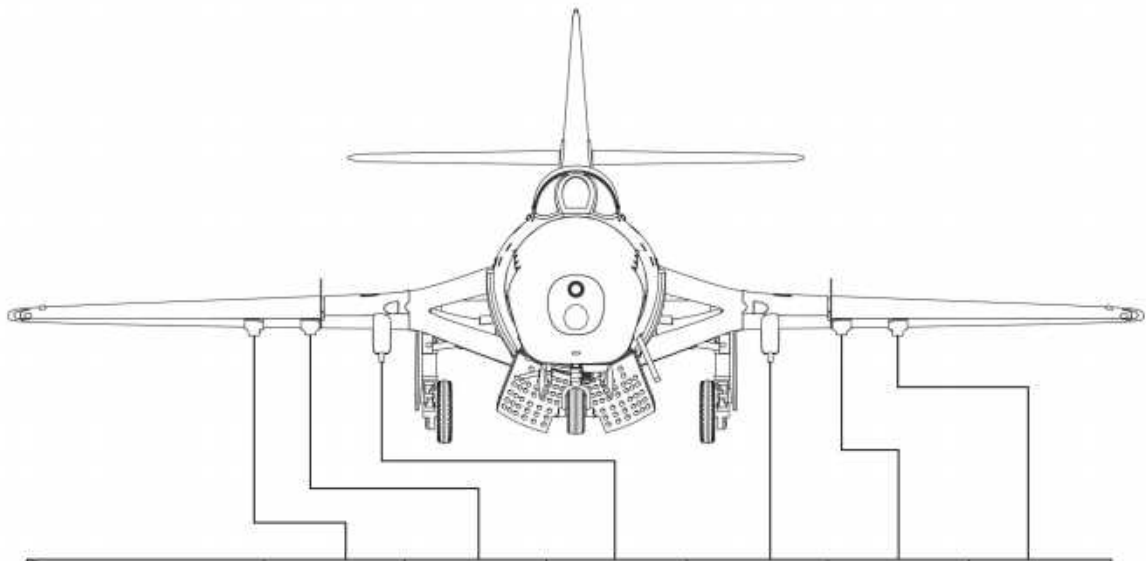
x4 制作四組
Make Four

DECAL APPLICATION



1. Cut off decal from transfer sheet.
2. Dip the decal in water for about 10 seconds (may take more seconds if in low temperature), and place on a clean cloth.
3. Hold the backing paper edge and slide decal onto the model. Then move decal into position by wetting decal with brush or finger.
4. Press decal gently down with a soft cloth until excess water and air bubbles are gone.

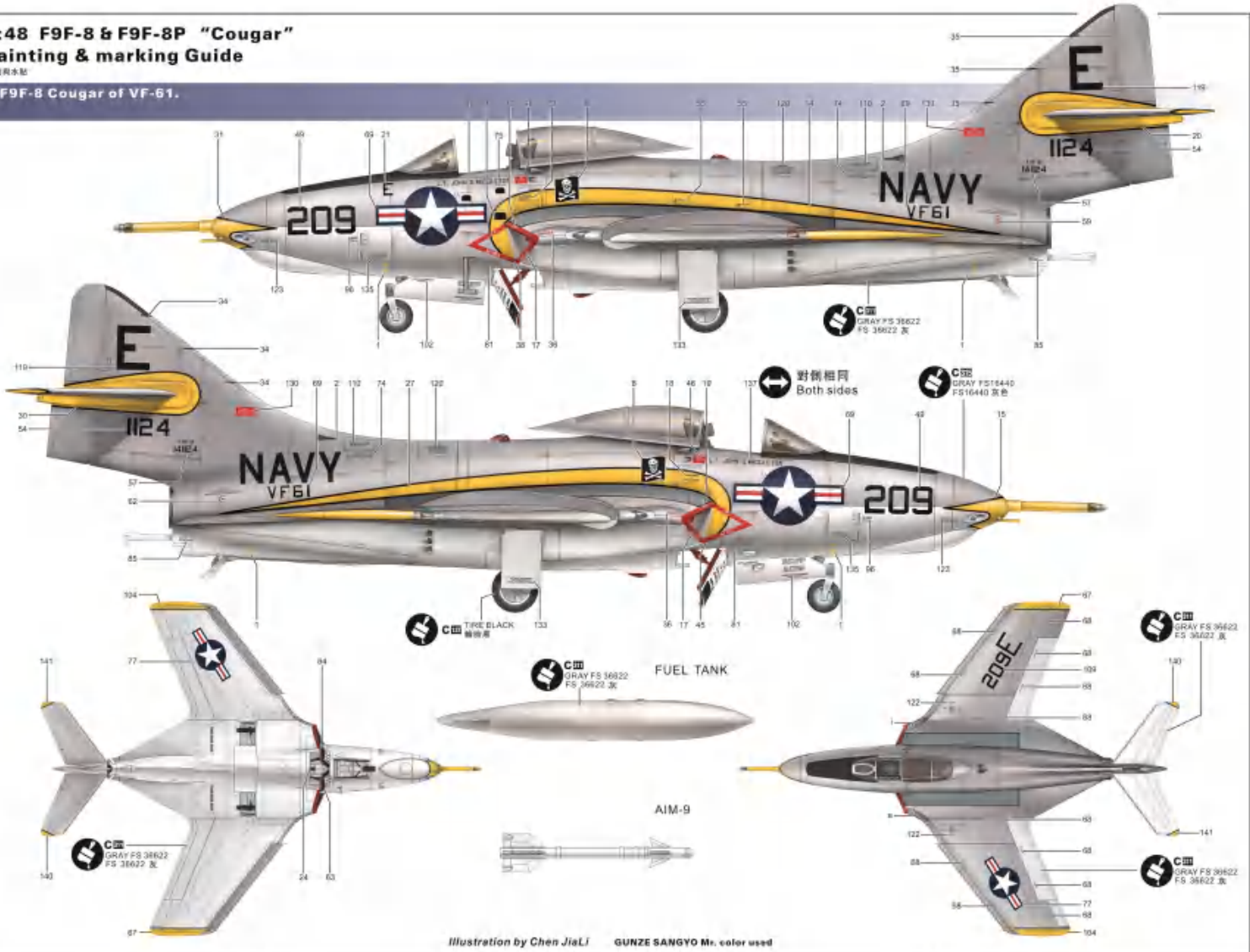




Sta.No.	1	2	3	4	5	6
Missile/Tank						
« Fuel tank »			●	●		
« AIM-9B »	●	●			●	●
« 2.75 in Rocket »	●	●			●	●

1:48 F9F-8 & F9F-8P "Cougar"
Painting & marking Guide

A. F9F-8 Cougar of VF-61.



Painting & marking Guide

塗装與水貼



80% C11 + 20% C12
80% MIDNIGHT BLUE + 20% BRIGHT BLUE

B. F9F-8 Cougar of VF-121.



80% C11 + 20% C12
80% MIDNIGHT BLUE + 20% BRIGHT BLUE

FUEL TANK

Illustration by Chen JiaLi
GUNZE SANGYO Mr. color used

C. F9F-8 Cougar of Blue Angels.



