

Instruction

模型拼裝說明書

1:48 Scale



F2H-2 **F2H-2P** **"BANSHEE"**



ZM80131

美国F2H-2&2P "女妖" 舰载战斗机

READ BEFORE ASSEMBLY

在組合您的模型之前，請充分閱讀本冊說明書。組合模型您需要如下物品（需另購）：模型膠水；一把模型鉗或一把用于將零件從框架上切下的模型筆刀。筆刀同樣可以用來修整零件的合模縫。祝您制作愉快！

Before assembling your model kit, read through these instructions carefully. To assemble this kit, you will need Plastic glue (not include). A pair of side cutter or a sharp modelling knife is required for removing parts from the frame. Plastic mould lines can be removed with the modelling knife.



塗色
Painting



鉆孔
Make Hole



彎曲
Bend



對側
Opposite



隨愛好選擇
Optional



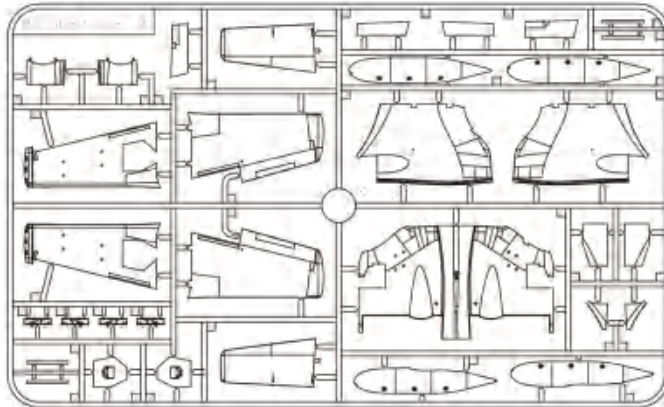
制作兩組
Make Two



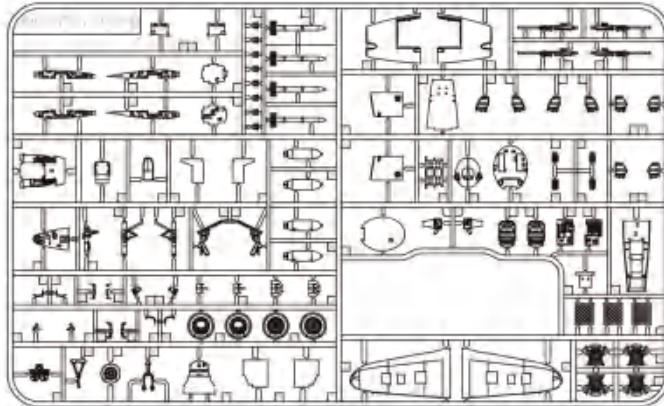
組合完成
Finished Assembly

部品圖 Parts

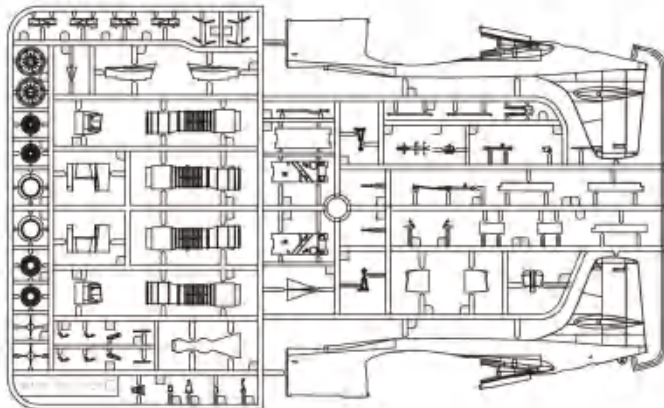
A



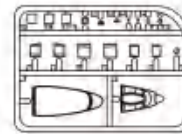
B



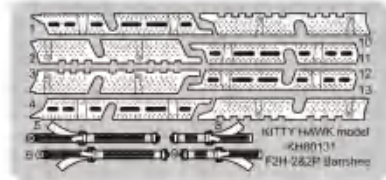
C



GP



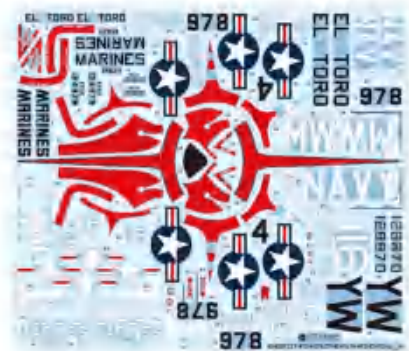
PE

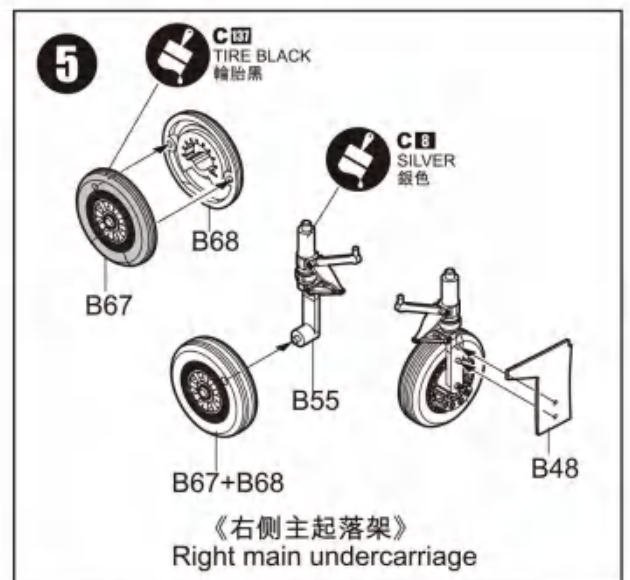
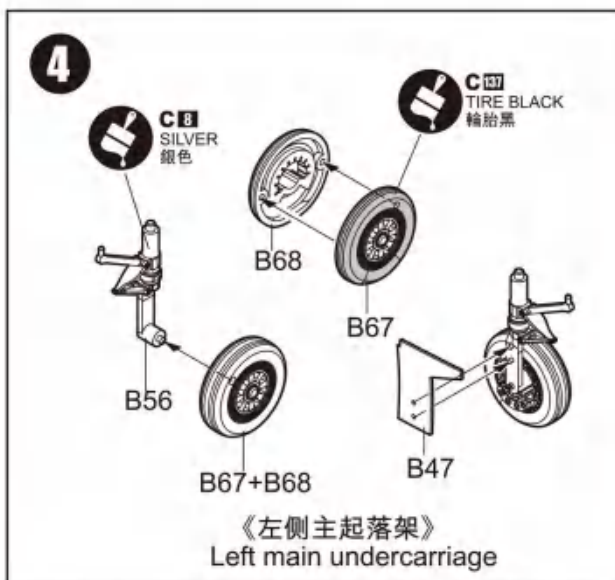
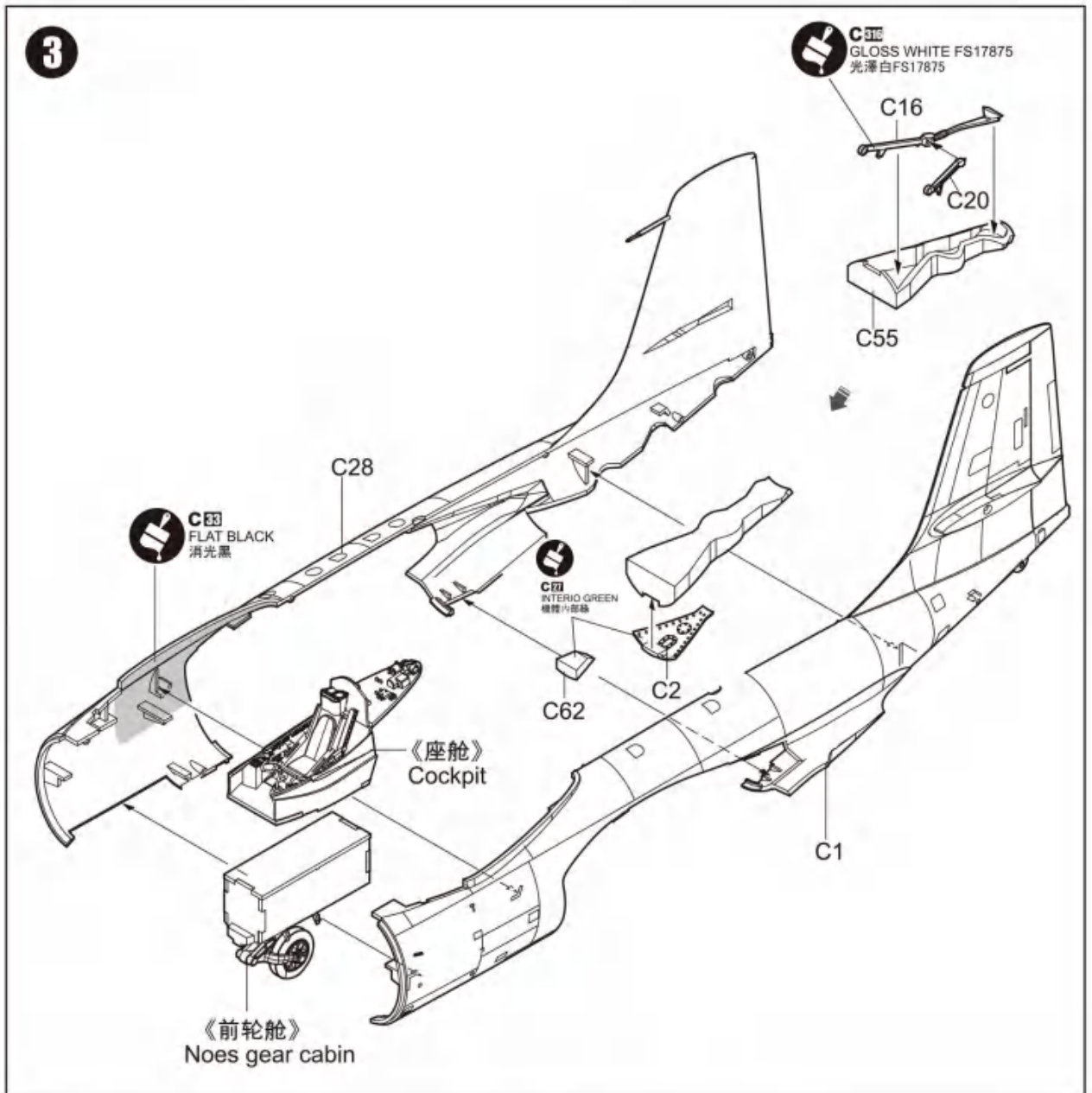


Decal B
水貼紙B

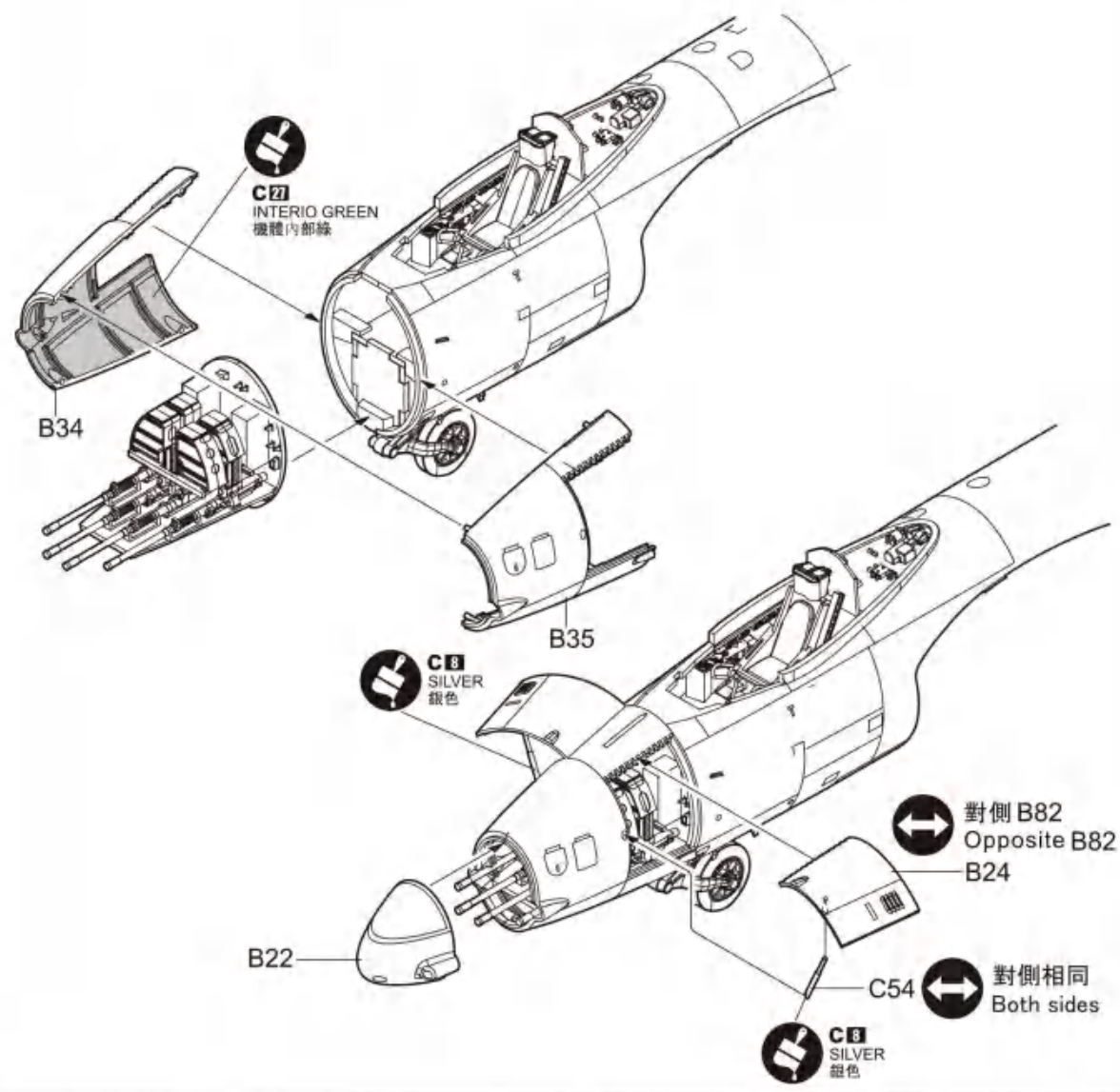
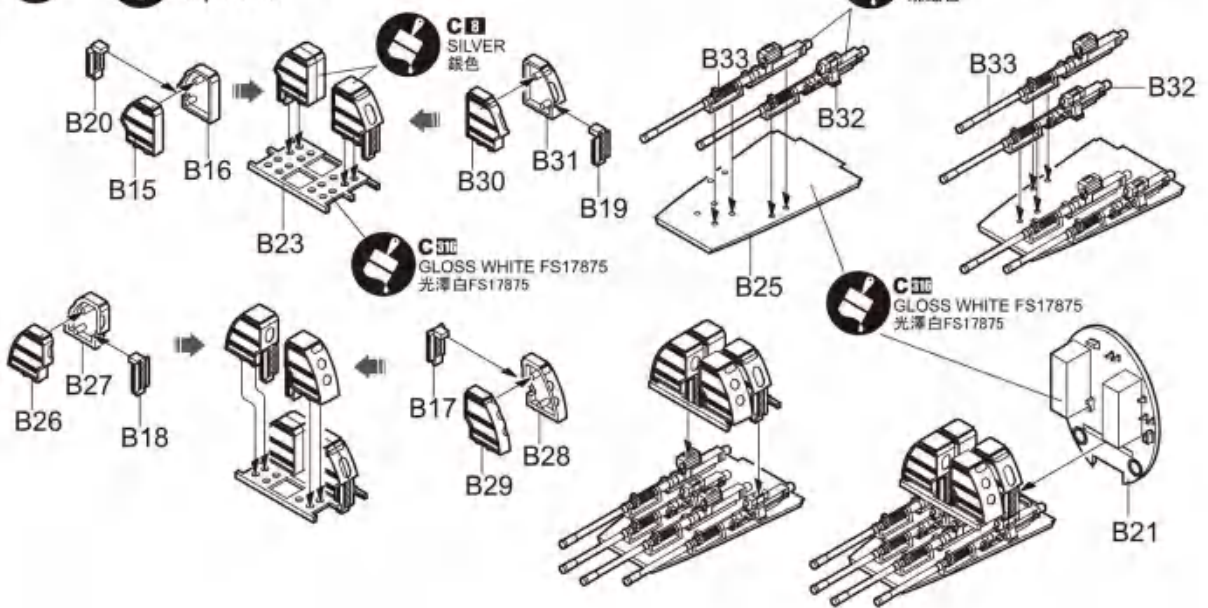


Decal A
水貼紙A





6 **?** 隨愛好選擇 F2H-2
Optional

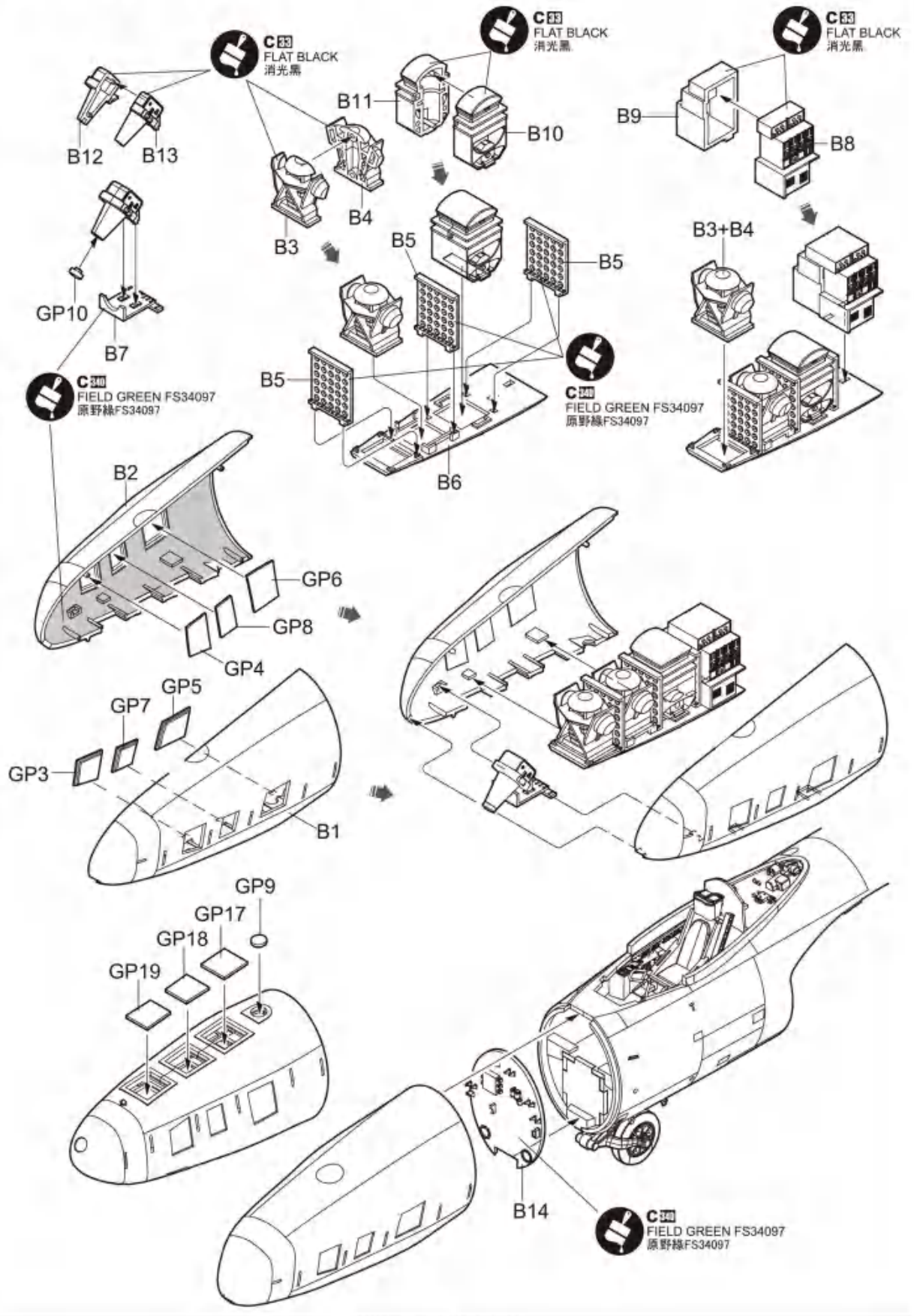


7

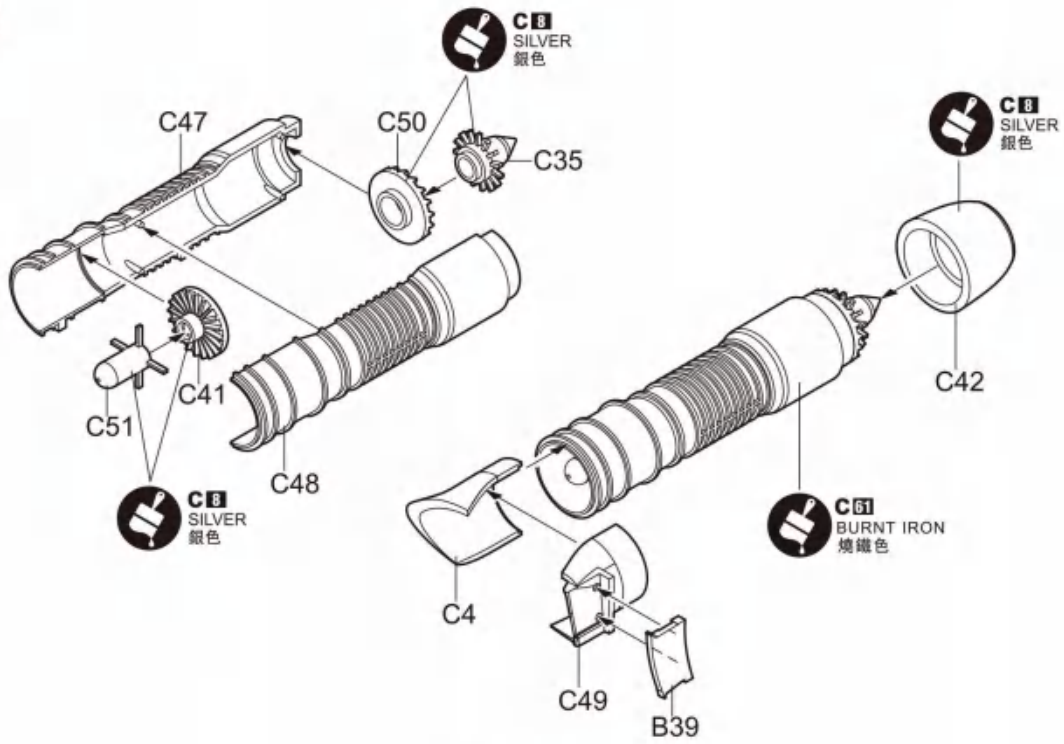
?

隨愛好選擇
Optional

F2H-2P

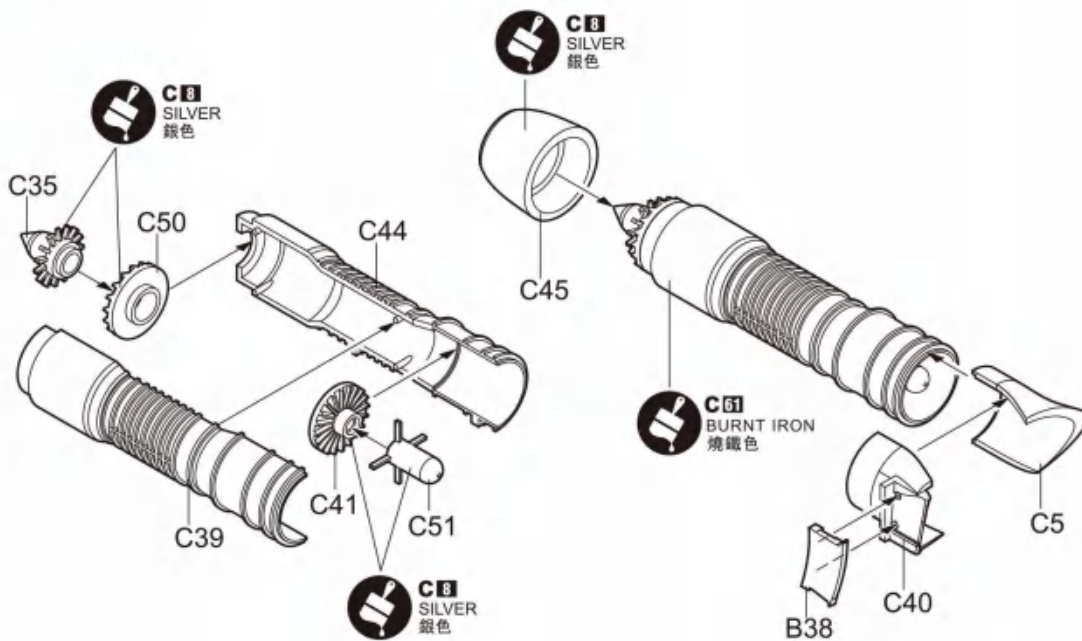


8



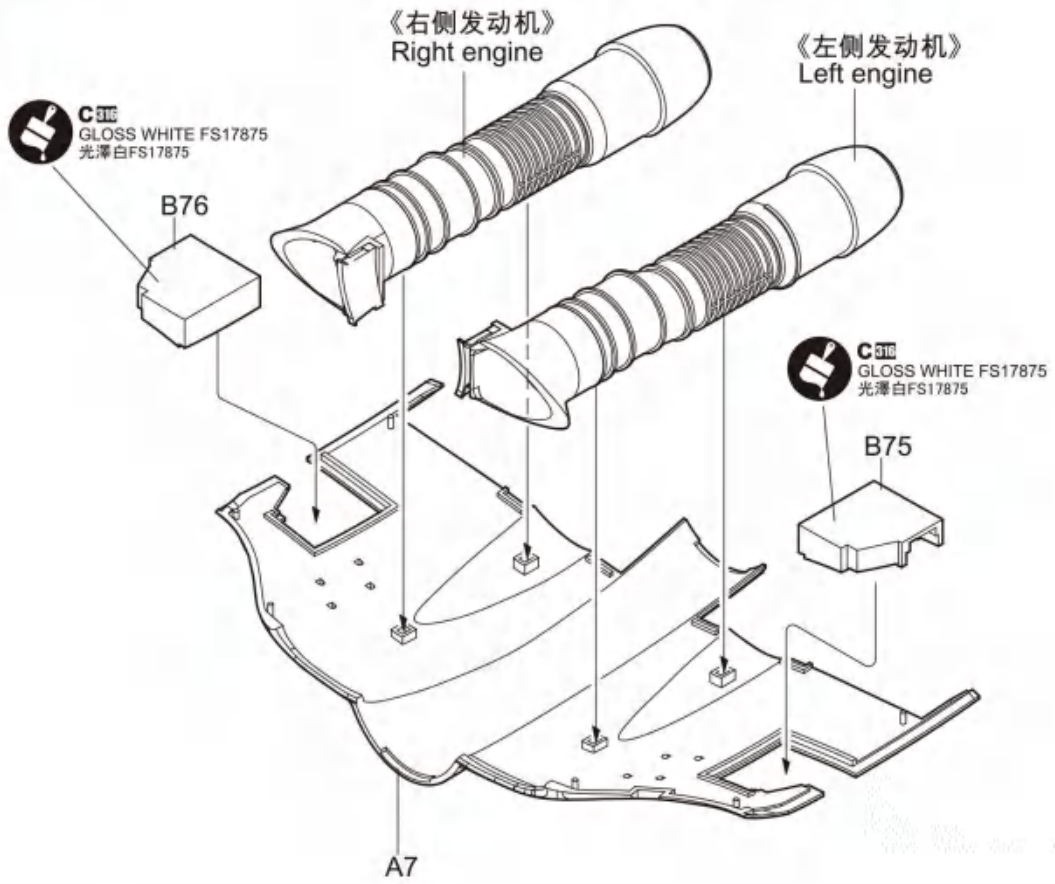
《右侧发动机》
Right engine

9

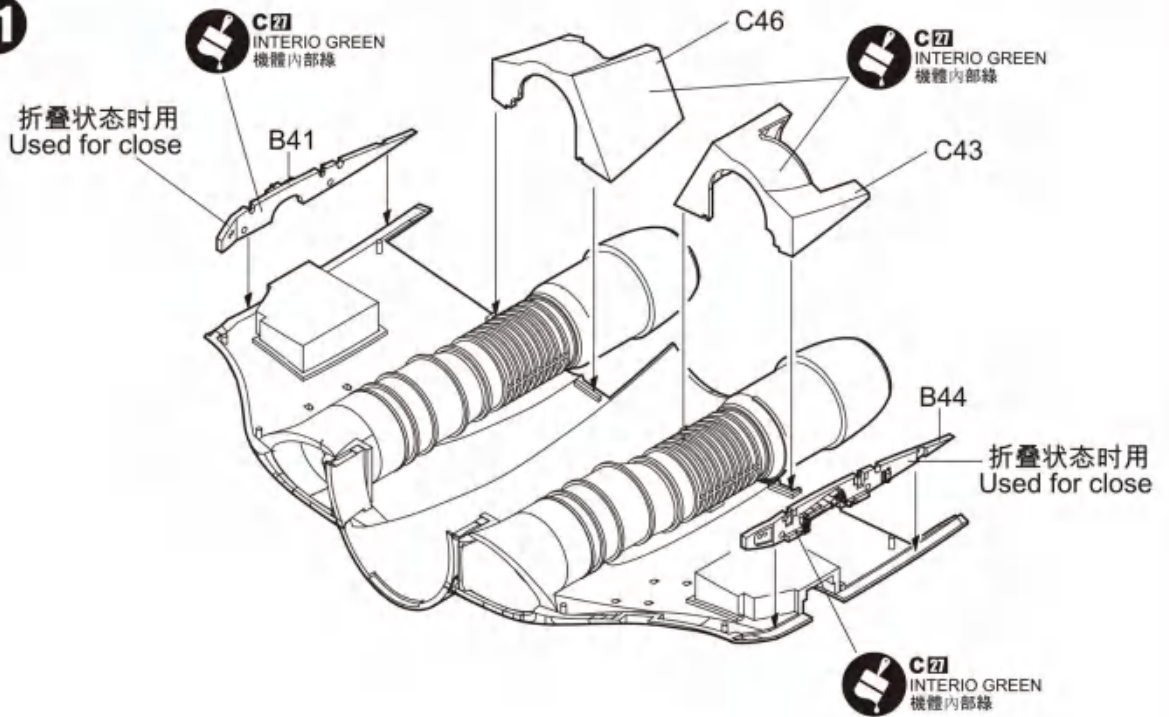


《左侧发动机》
Left engine

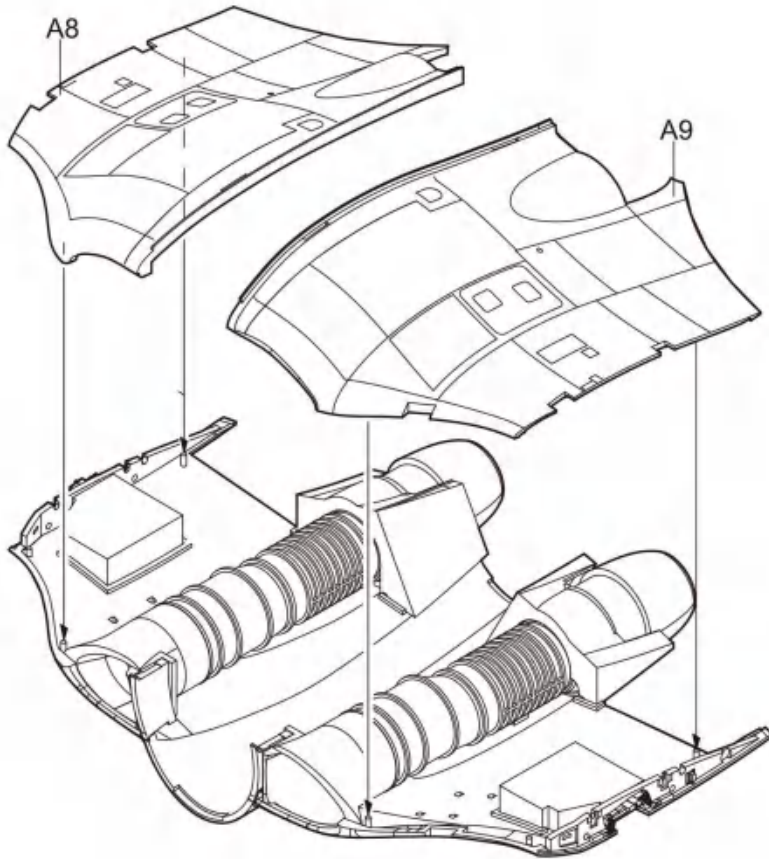
10



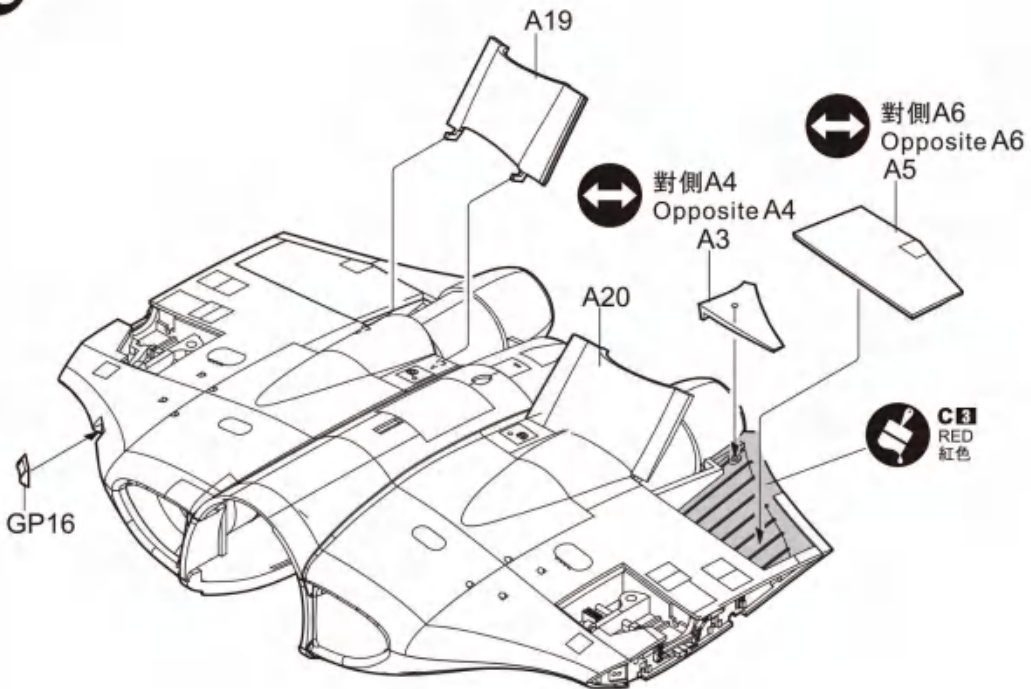
11



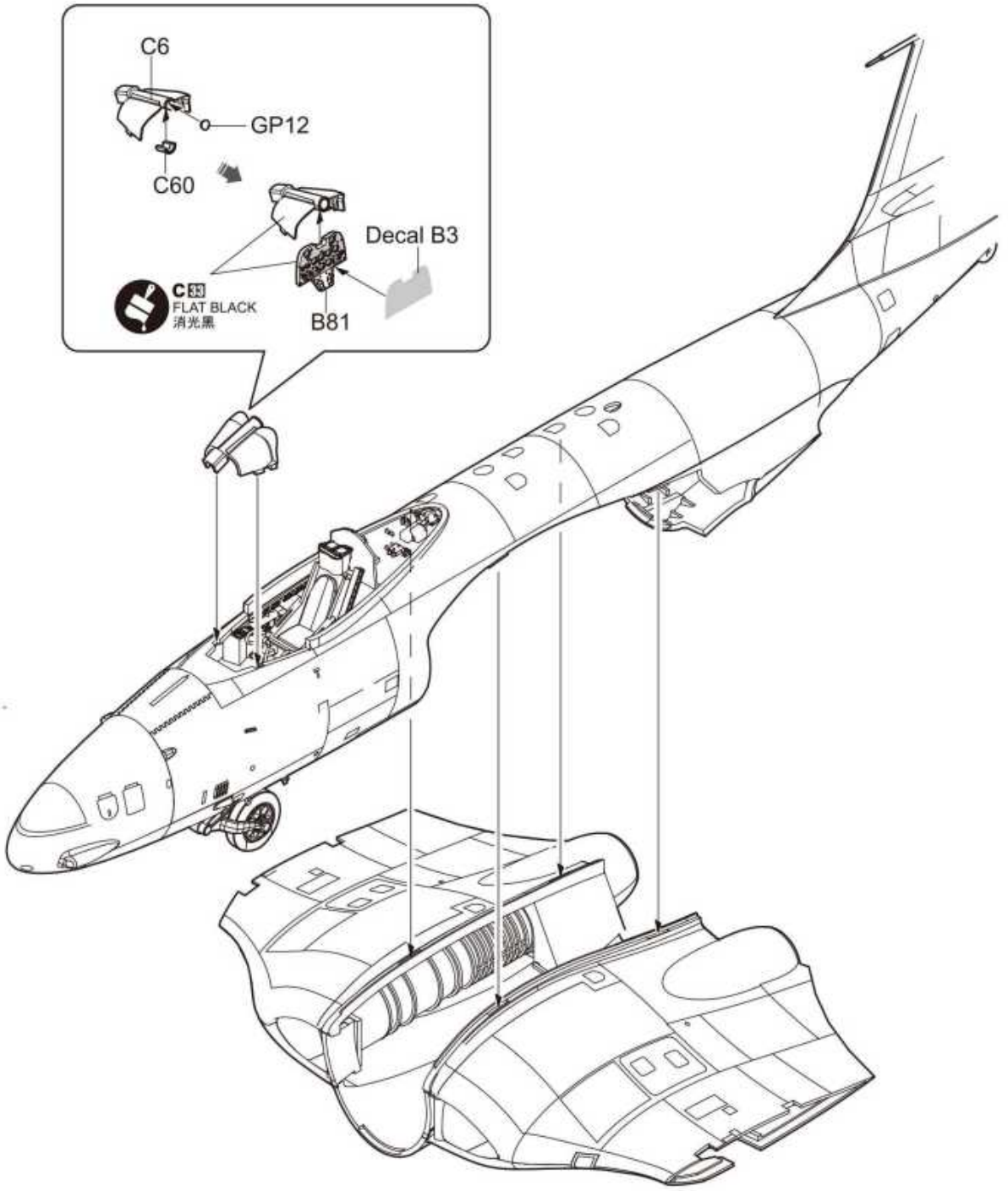
12



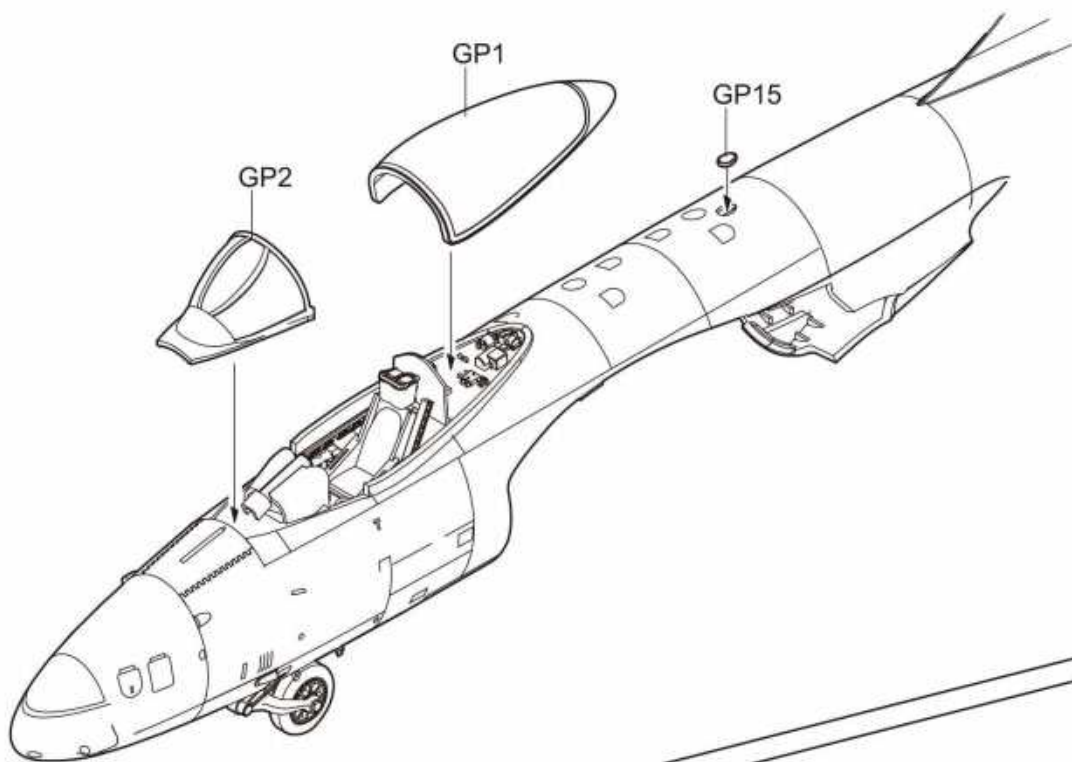
13



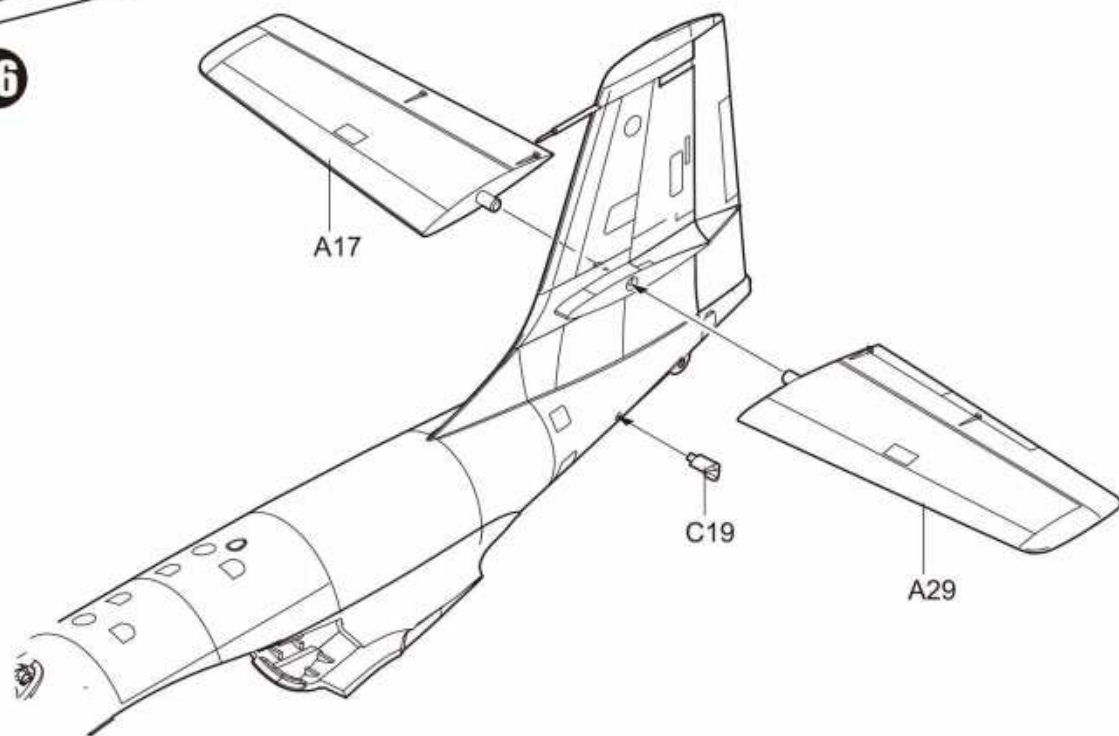
14

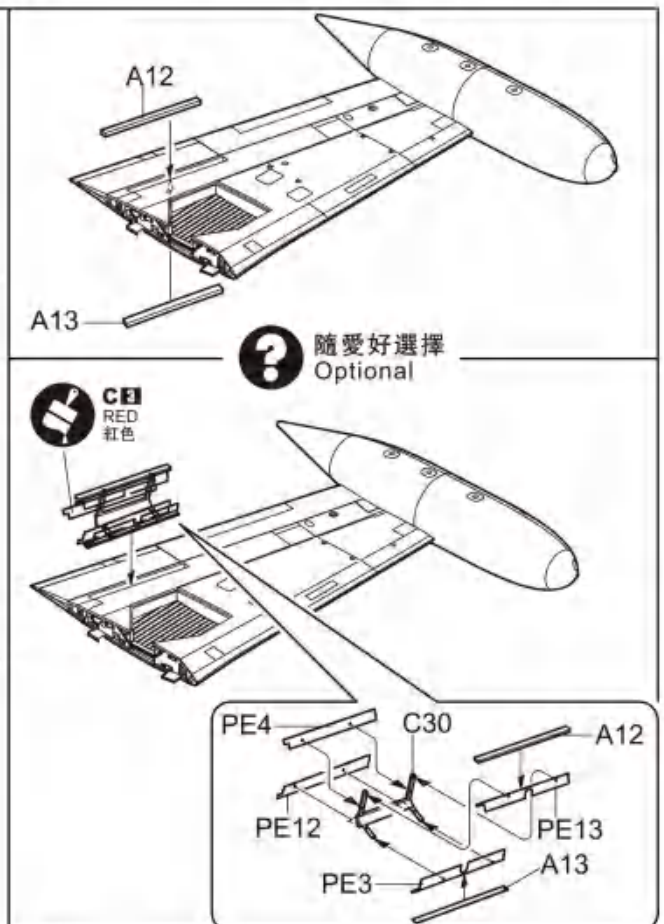
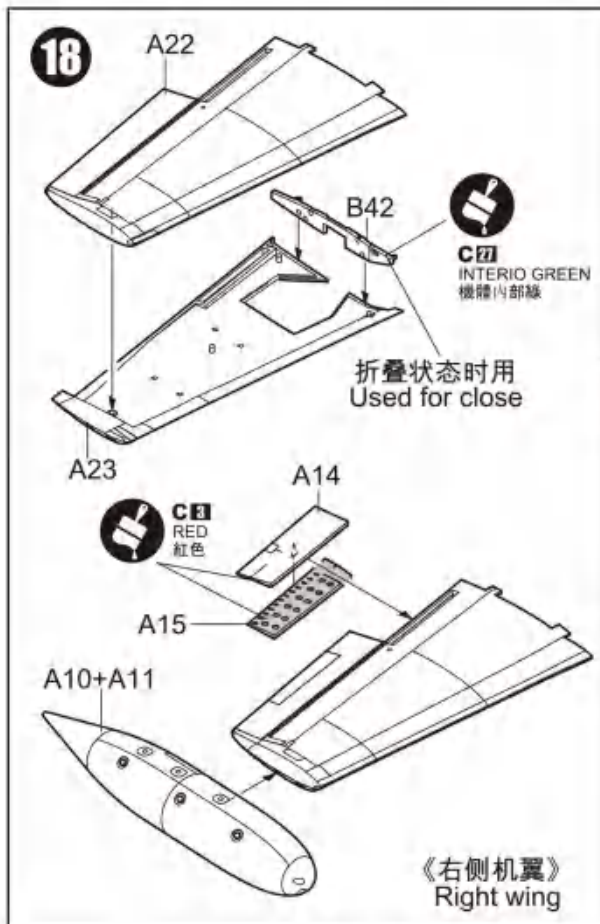
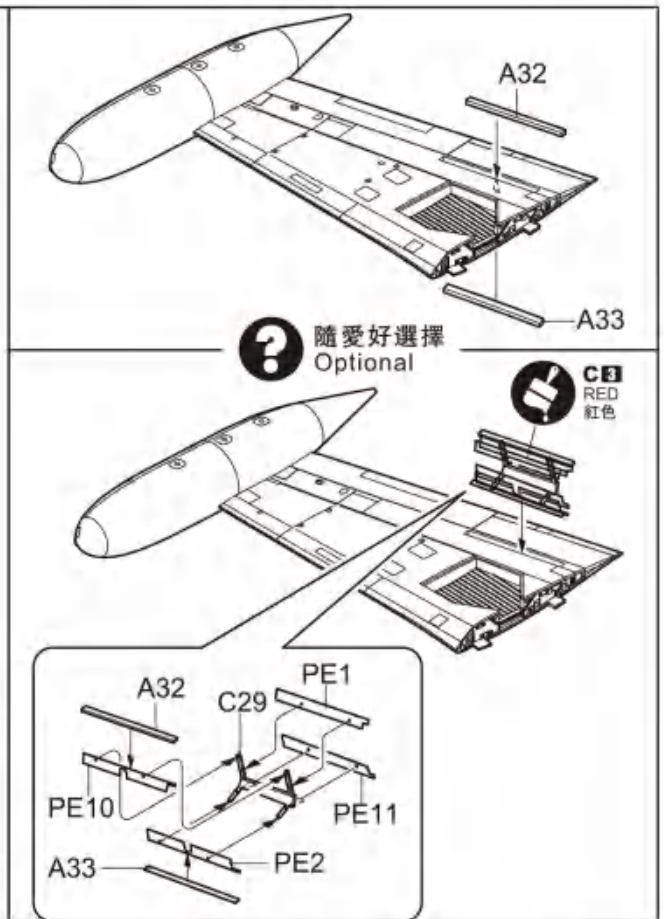
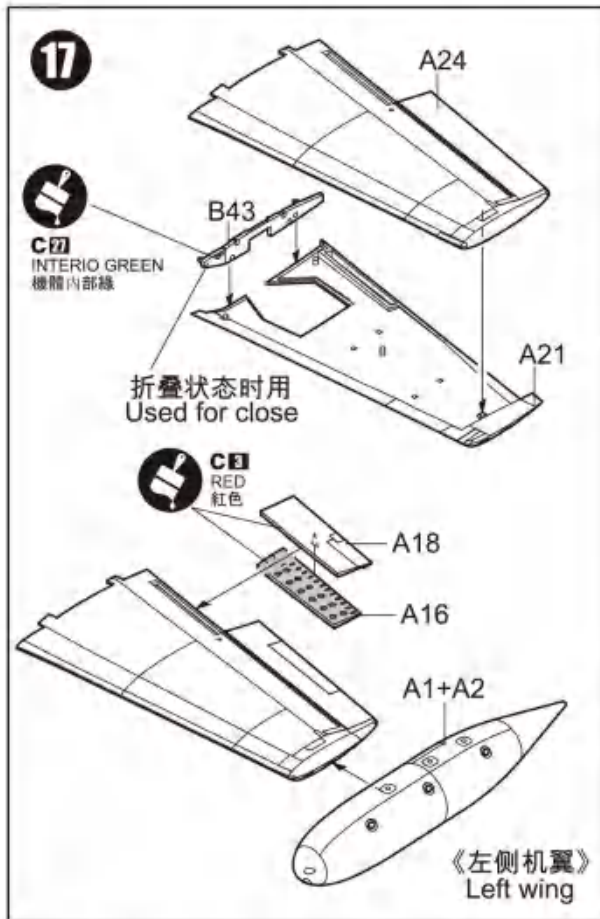


15



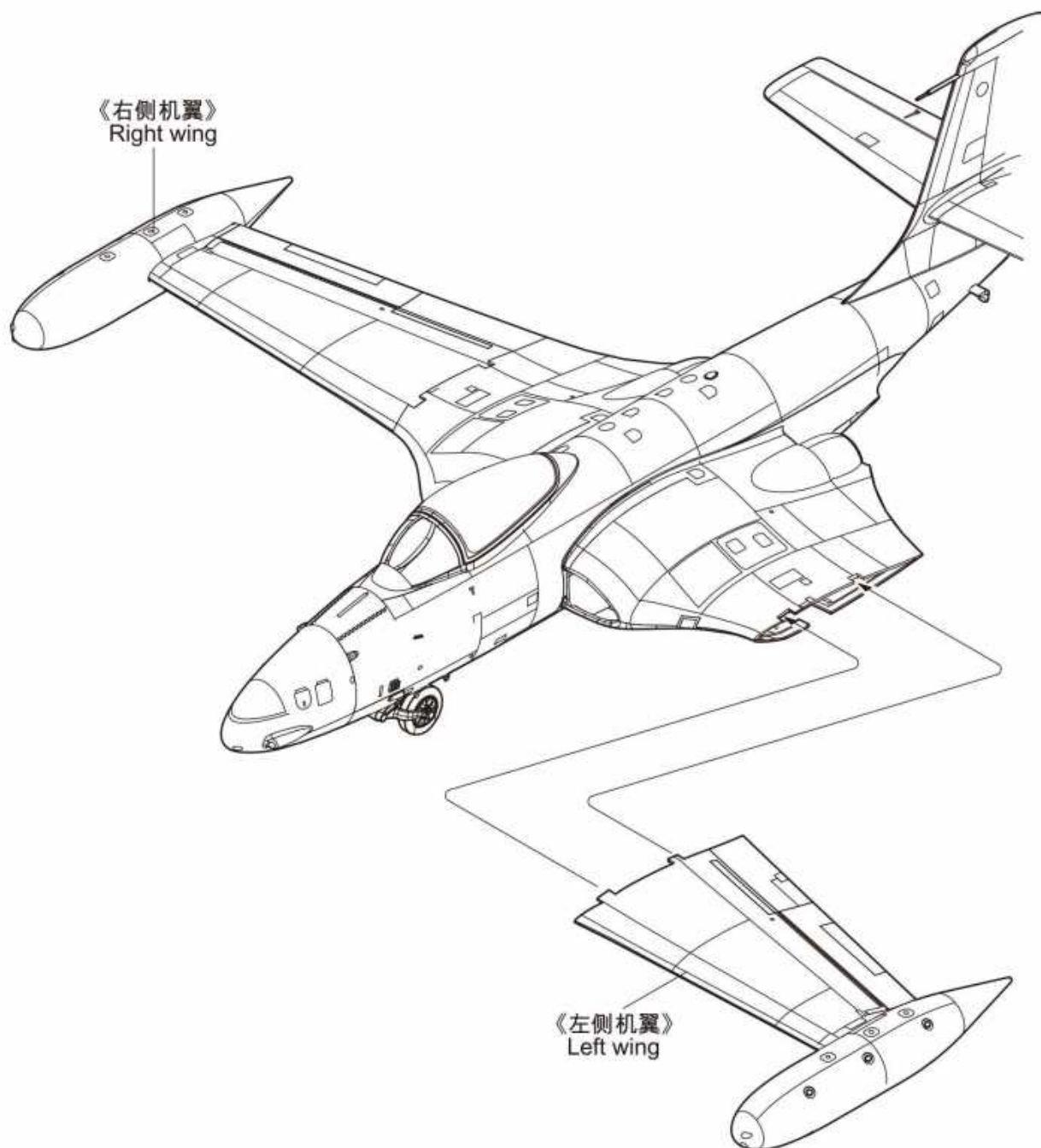
16





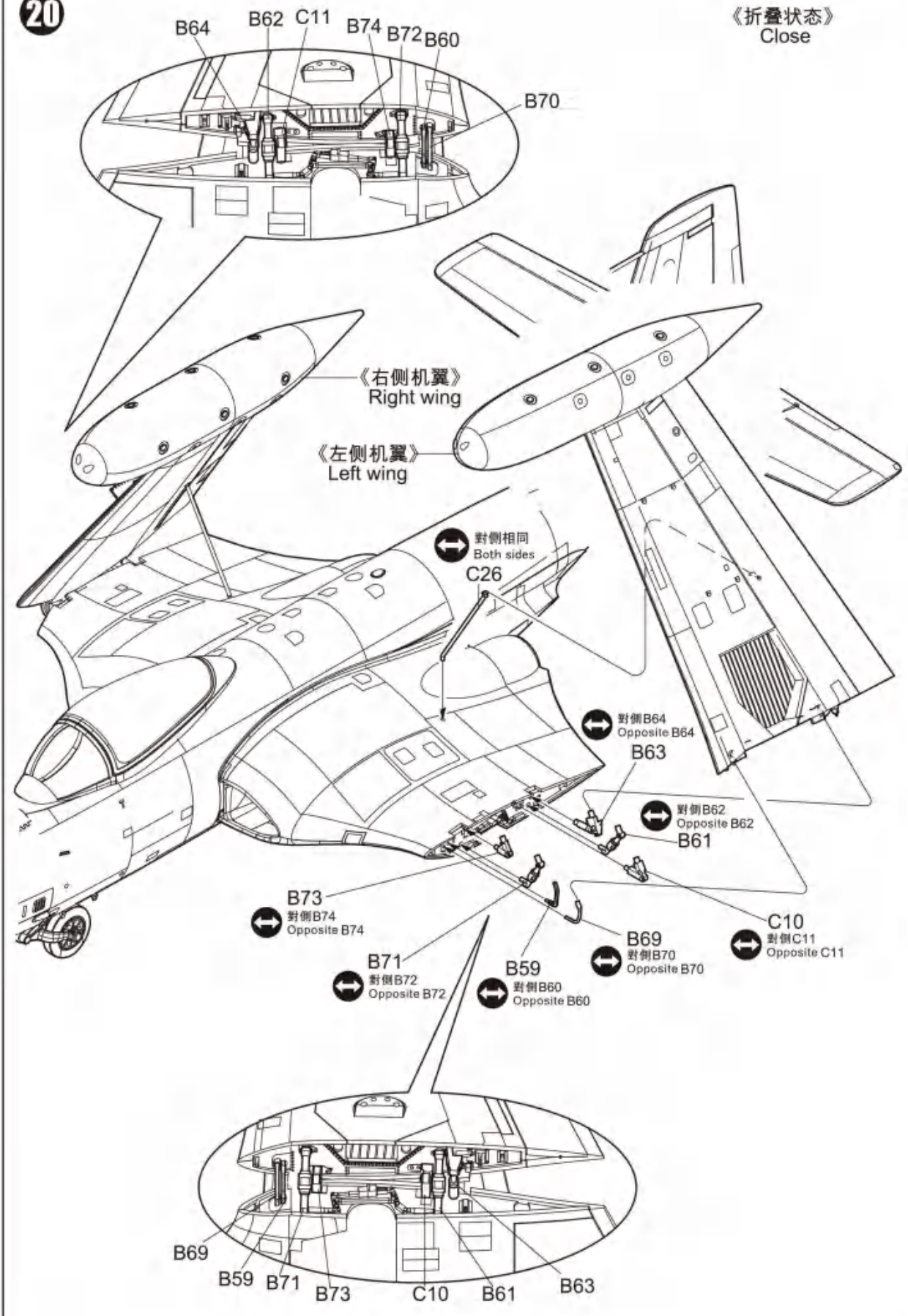
19

《展开状态》
Open



20

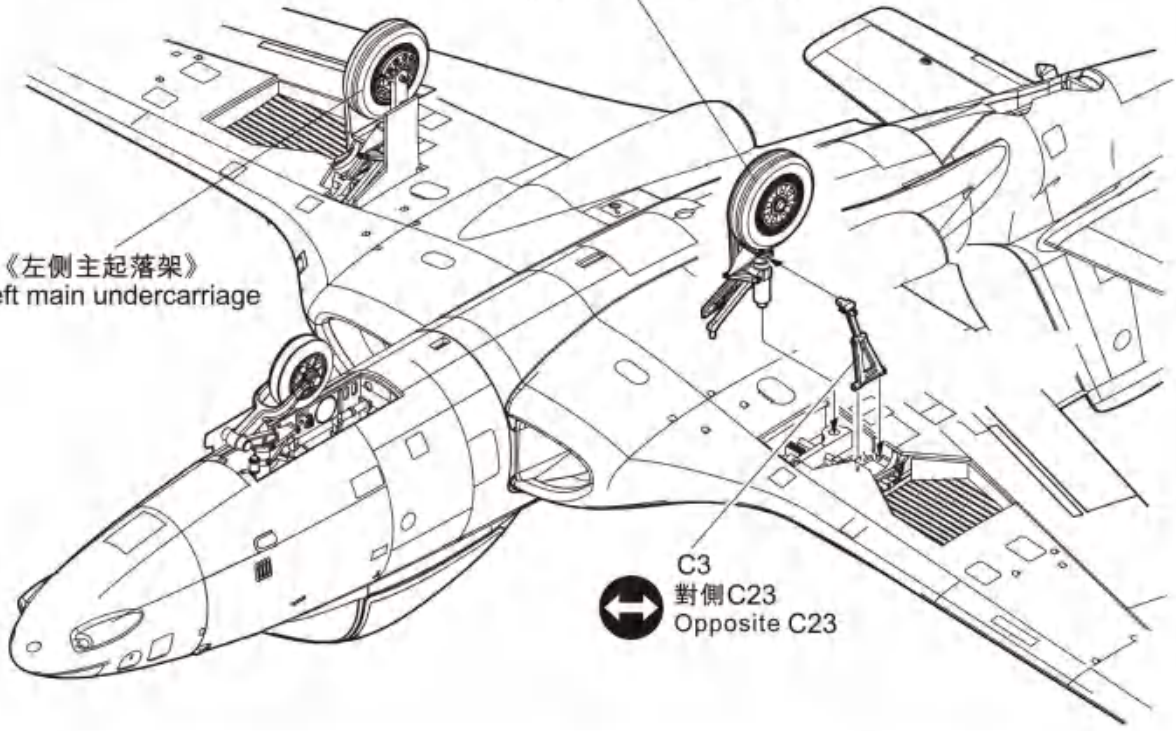
《折叠状态》
Close



21

《右側主起落架》
Right main undercarriage

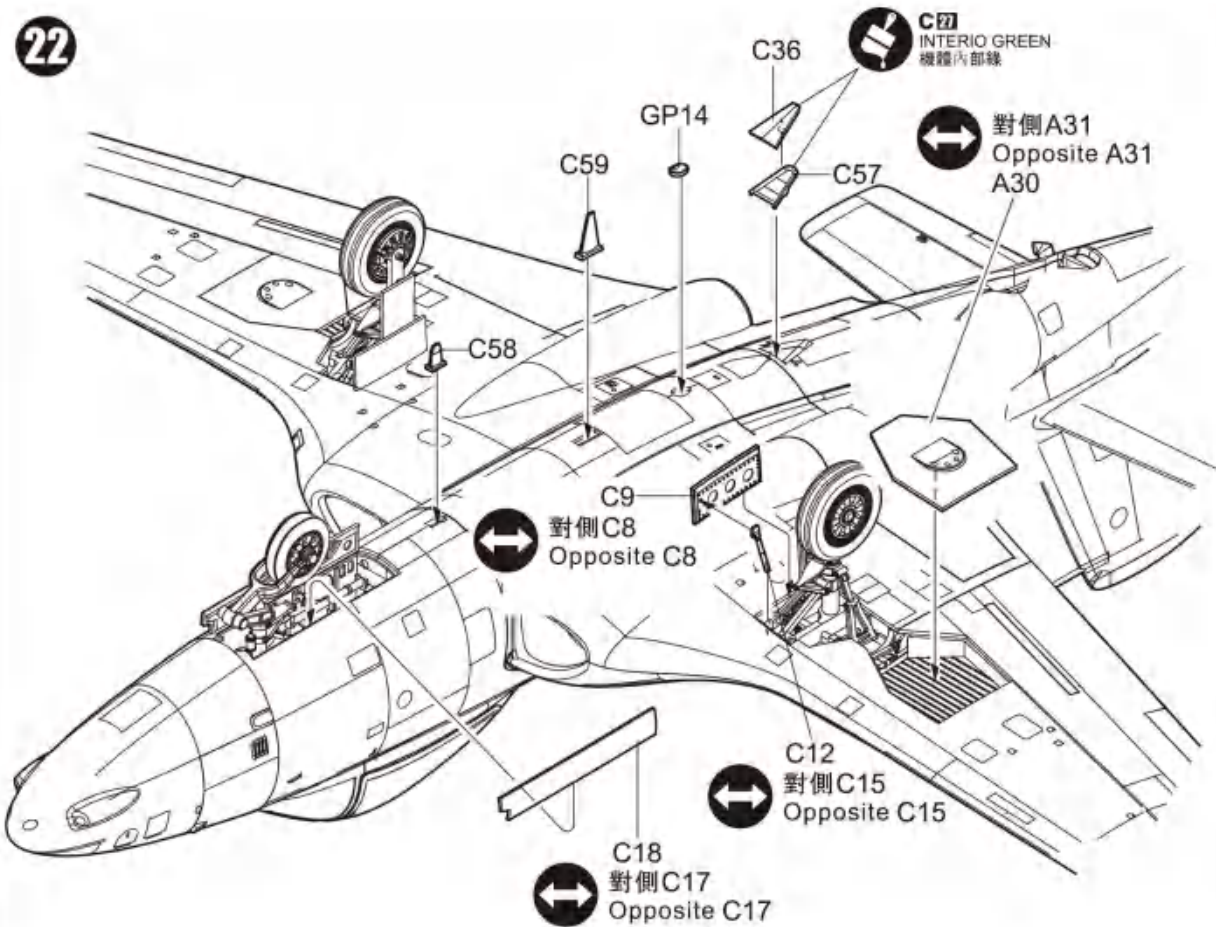
《左側主起落架》
Left main undercarriage



C3
對側C23
Opposite C23

22

C77
INTERIO GREEN
機體內部線



對側A31
Opposite A31
A30

對側C8
Opposite C8

C12
對側C15
Opposite C15

C18
對側C17
Opposite C17

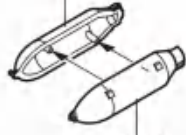
23

B65

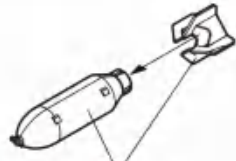
B46



B66



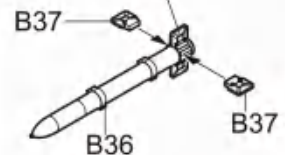
B52



C33
OLIVE DRAB
橄欖褐

x2 制作兩組
Make Two

C34
LIGHT GREY
淺灰



x4 制作四組
Make four

B36

C32

C31

C33

C8
SILVER
銀色

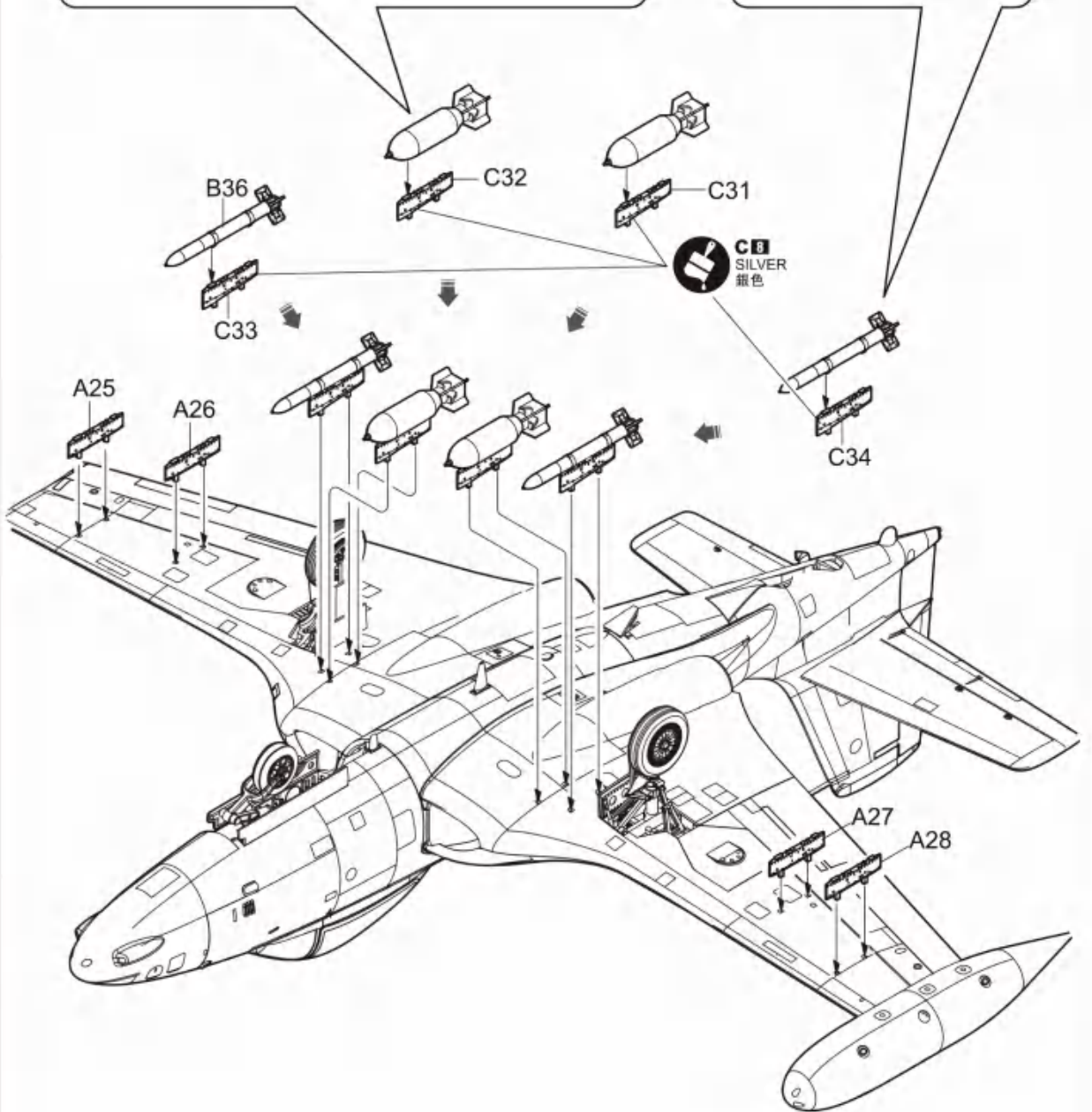
C34

A25

A26

A27

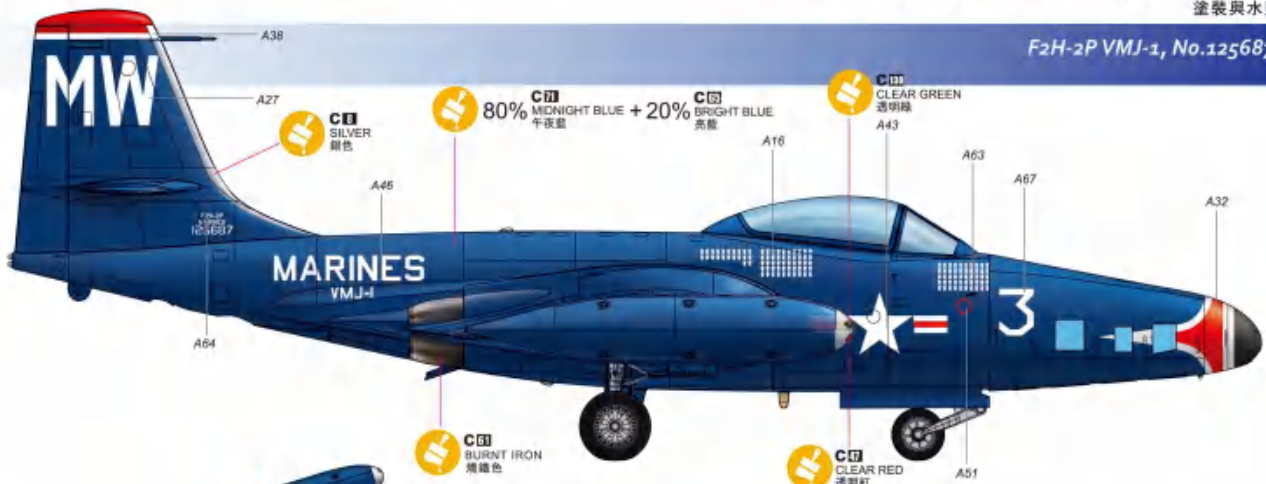
A28



Painting & marking Guide

塗裝與水貼

F2H-2P VMJ-1, No.125687.



Painting & marking Guide

塗裝與水貼

F2H-2, ElToro, Marines.



Painting & marking Guide

塗裝與水貼

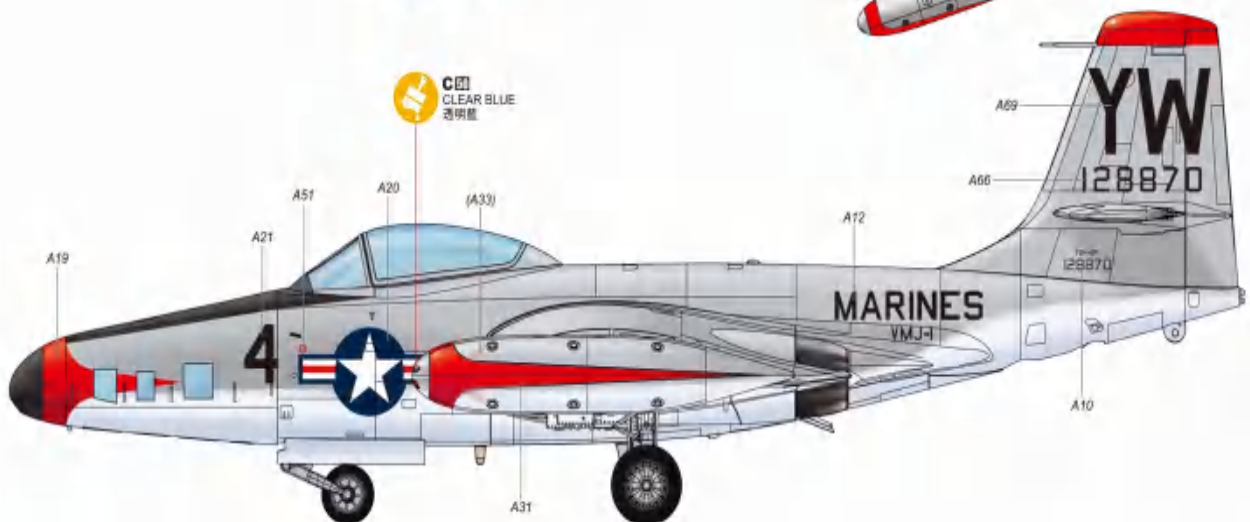
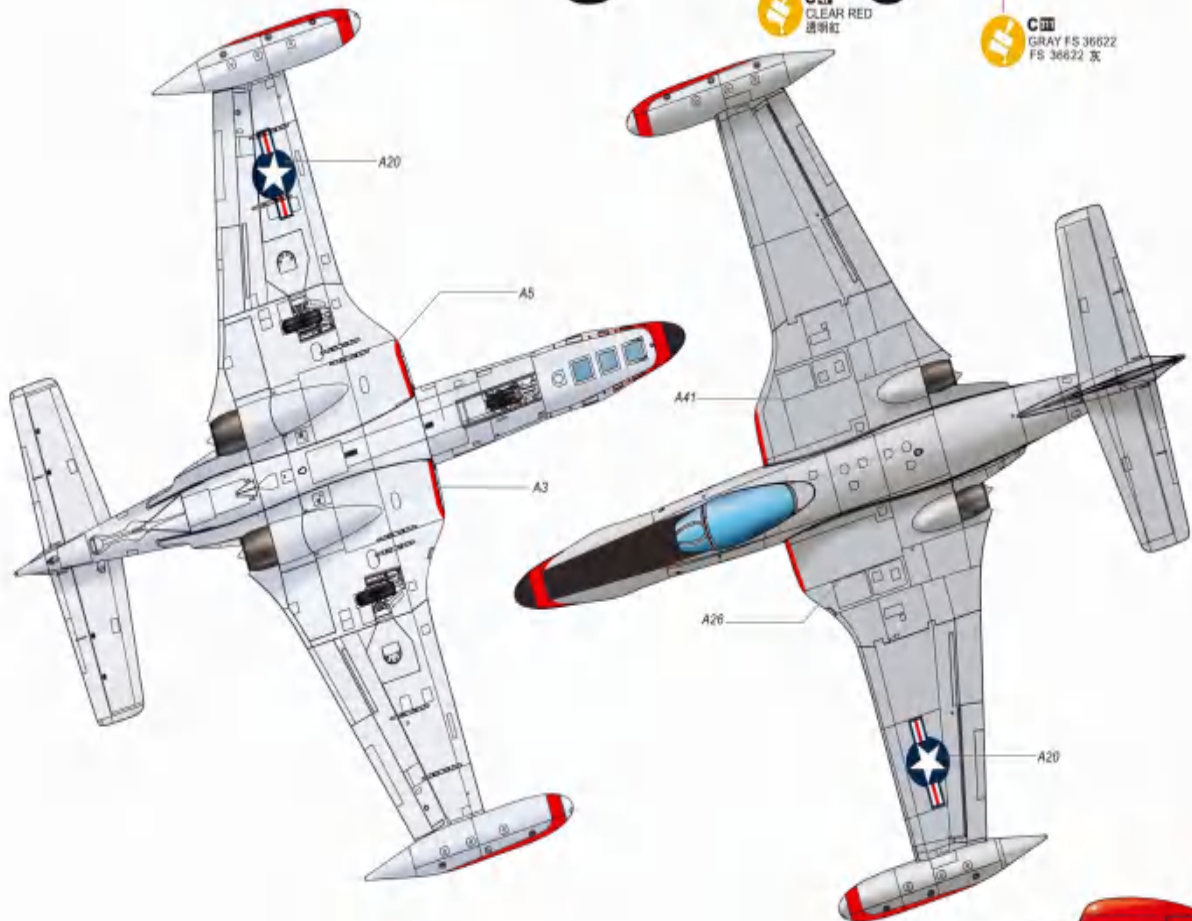
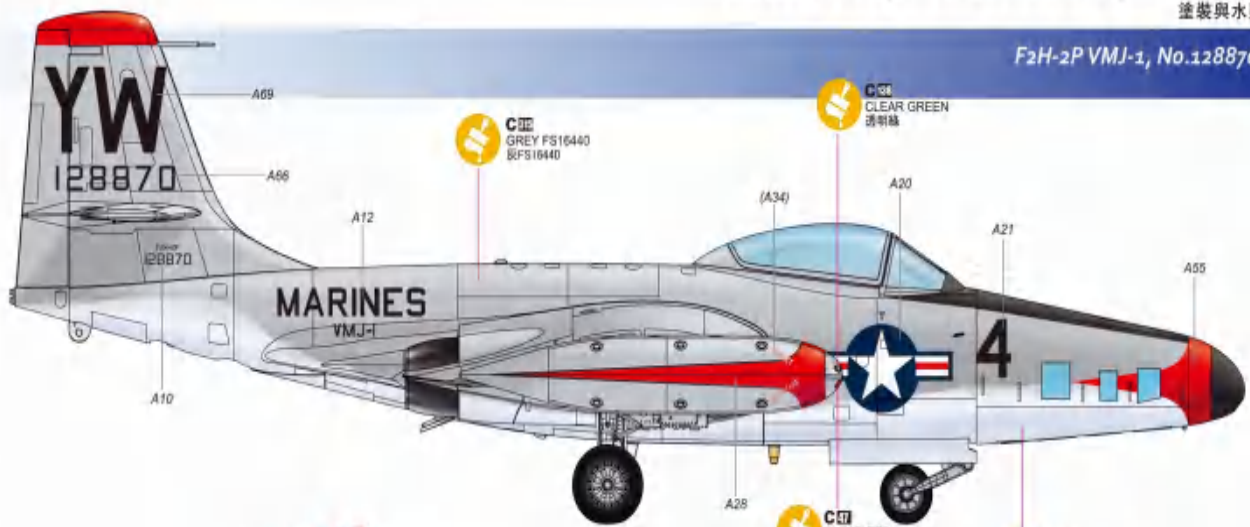
F2H-2, From VF-11 and the Korean War.



Painting & marking Guide

塗裝與水貼

F2H-2P VMJ-1, No.128870.



15

16