



1:48 scale

# F-35C "LIGHTNING II"

拼裝說明書

Instruction



RESEARCH MATERIALS  
PROVIDED BY  
DETAIL & SCALE  
[www.detailandscale.com](http://www.detailandscale.com)



Instruction

F-35C  
"閃電 II"戰鬥攻擊機

ITEM NO. ZM80132

# READ BEFORE ASSEMBLY

在組合您的模型之前，請充分閱讀本冊說明書。組合模型您需要如下物品（需另購）：模型膠水；一把模型鉗或一把用于將零件從框架上切下的模型筆刀。筆刀同樣可以用來修整零件的合模綫。祝您制作愉快！

Before assembling your model kit, read through these instructions carefully. To assemble this kit, you will need Plastic glue ( not include ). A pair of side cutter or a sharp modelling knife is required for removing parts from the frame. Plastic mould lines can be removed with the modelling knife.



請注意  
Special instructions



隨愛好選擇  
Optional



組合完成  
Finished Assembly



制作兩組  
Make Two



配重  
Weight



塗色  
Painting

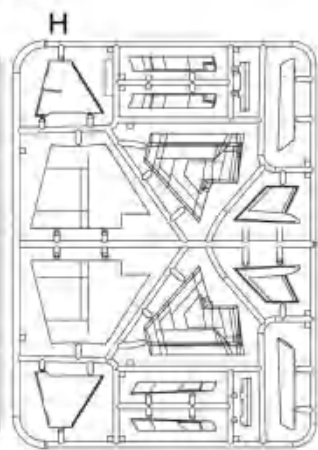
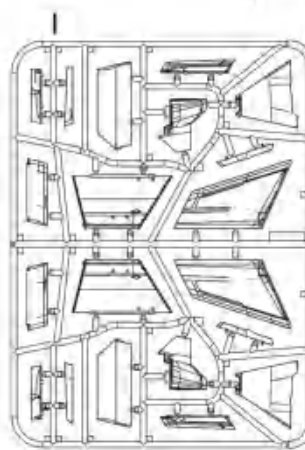
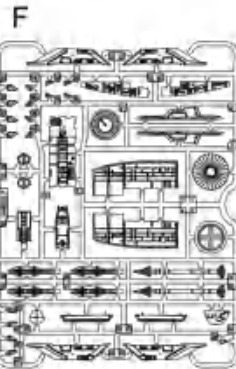
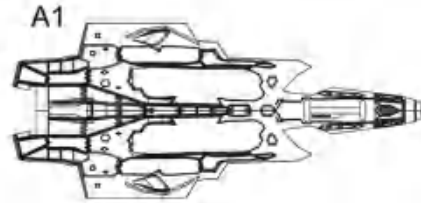
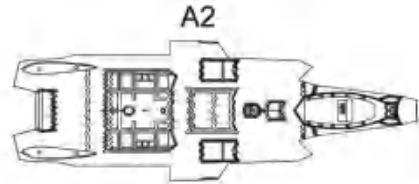


無需膠粘  
Do Not Cement

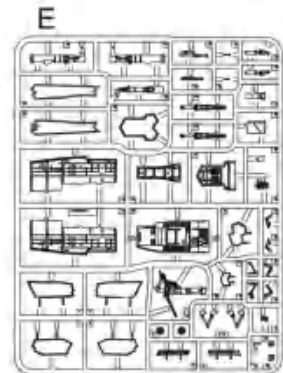
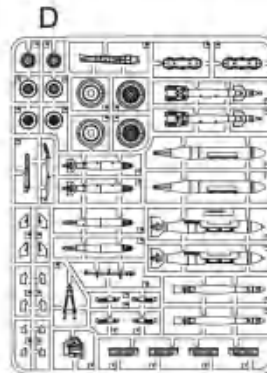
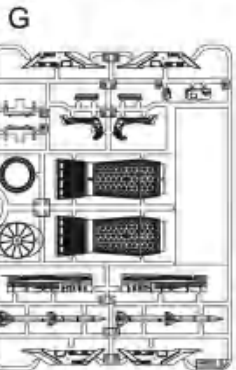


對側  
Opposite

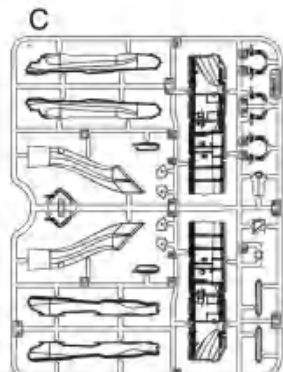
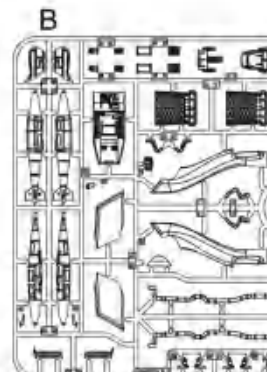
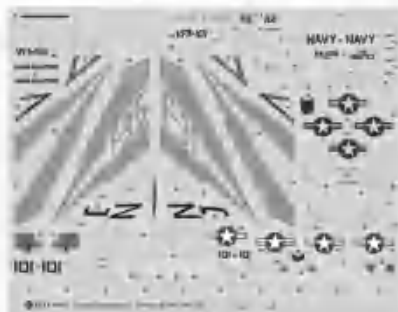
## 部品圖 PARTS

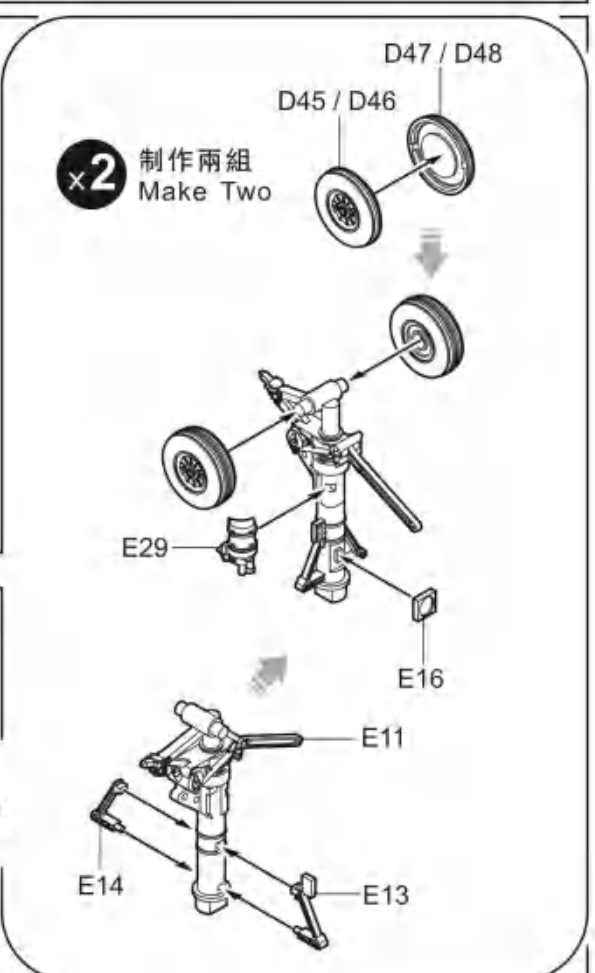
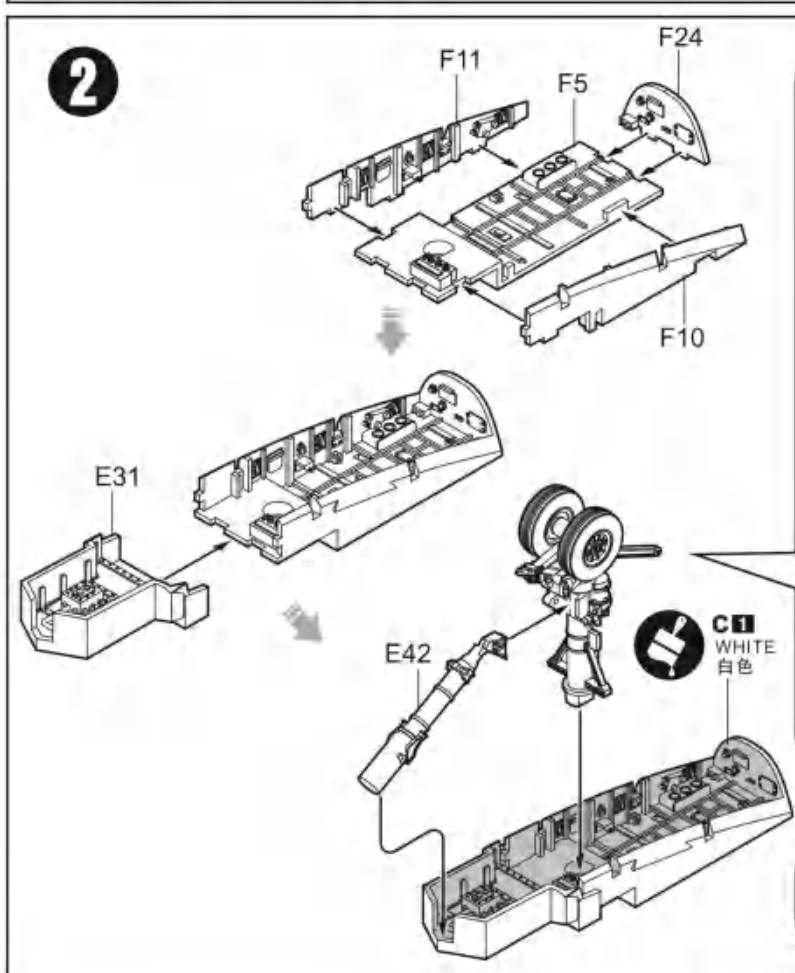
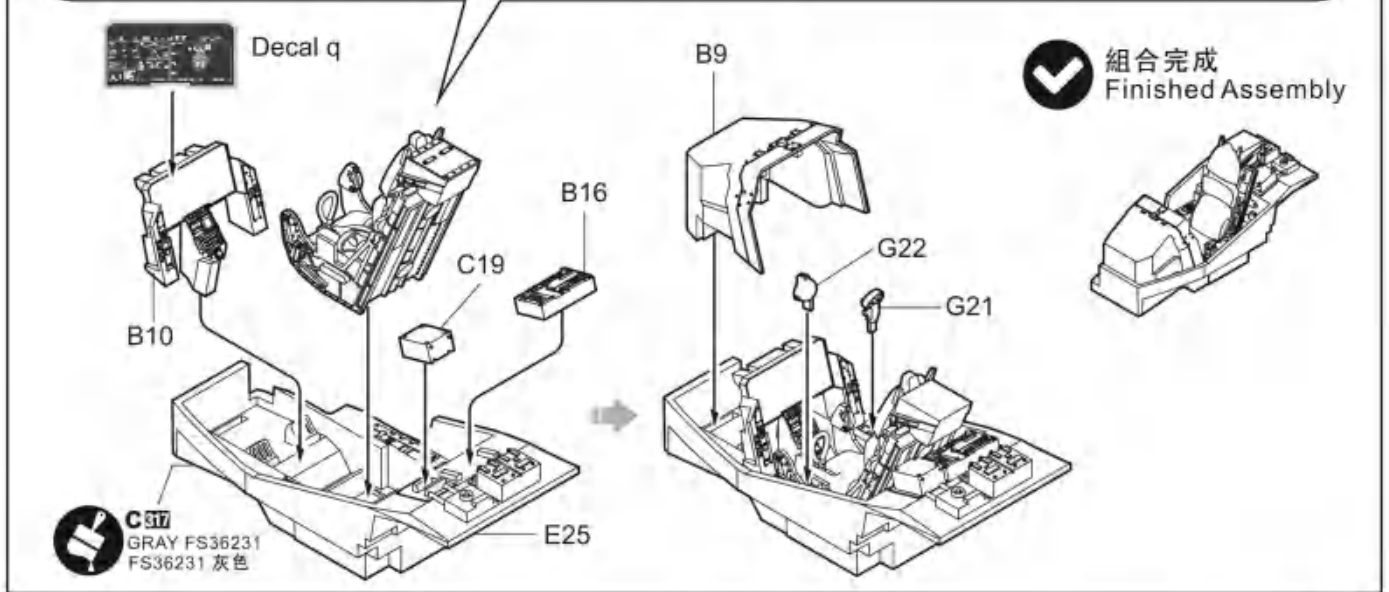
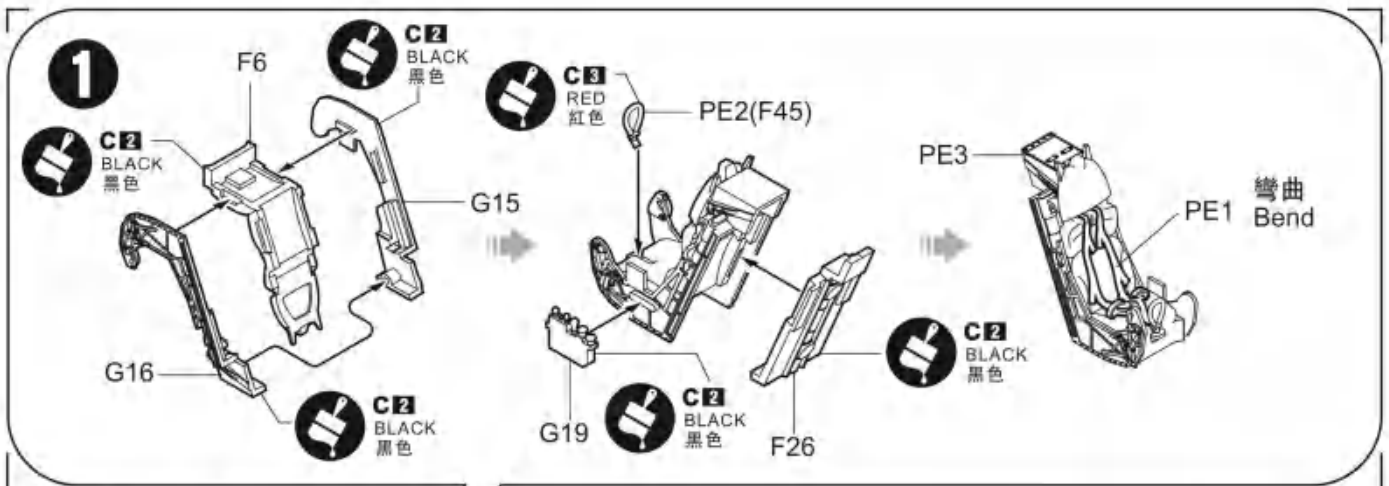


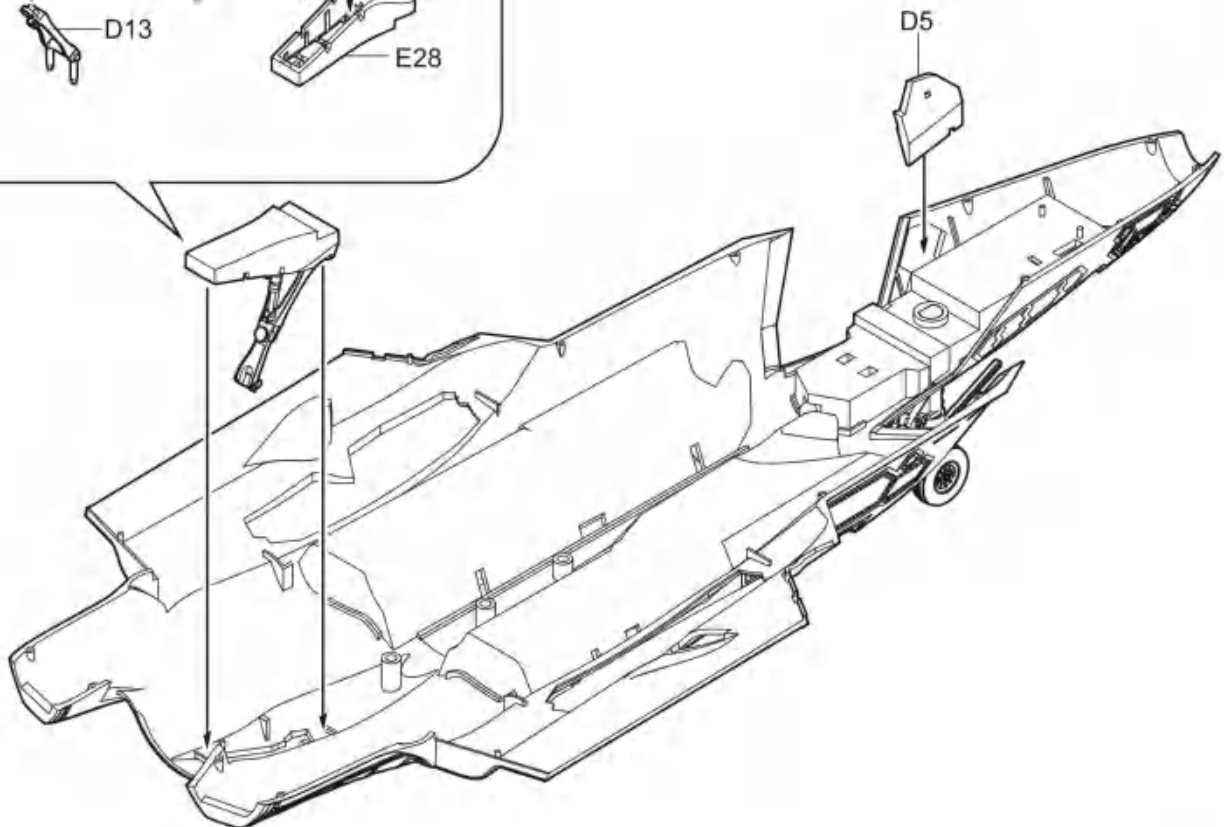
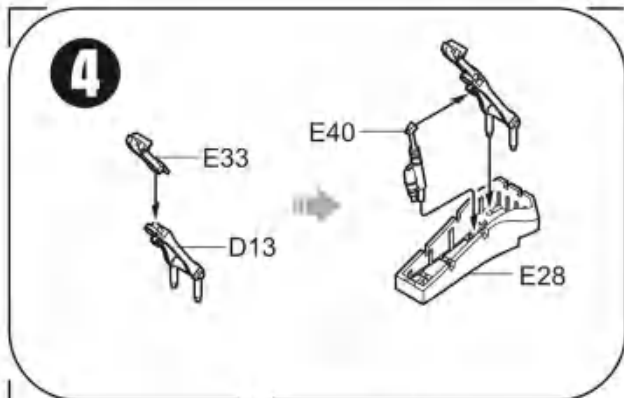
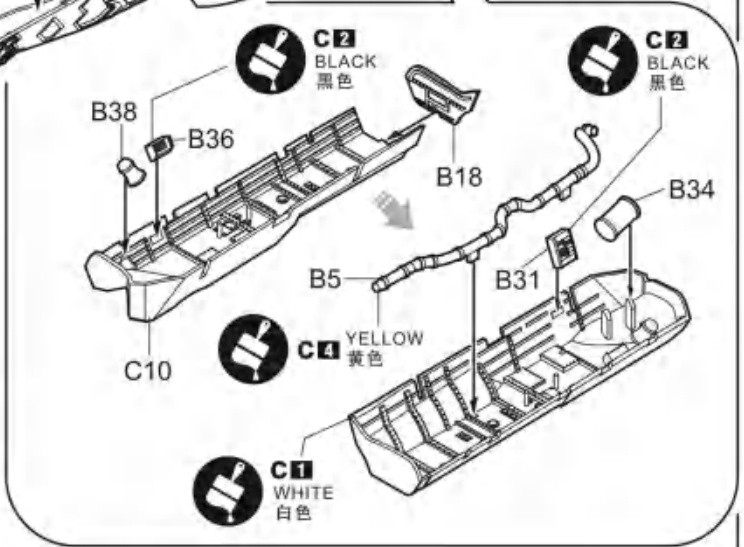
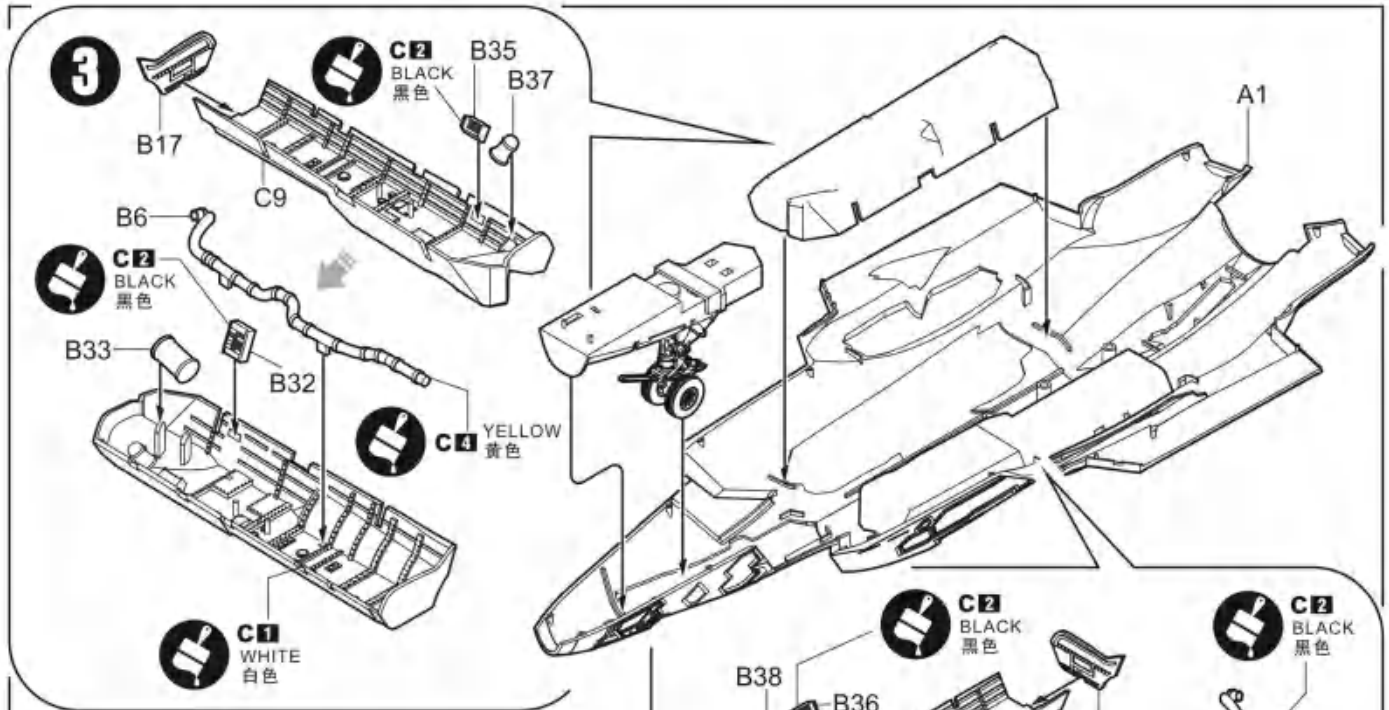
## PE

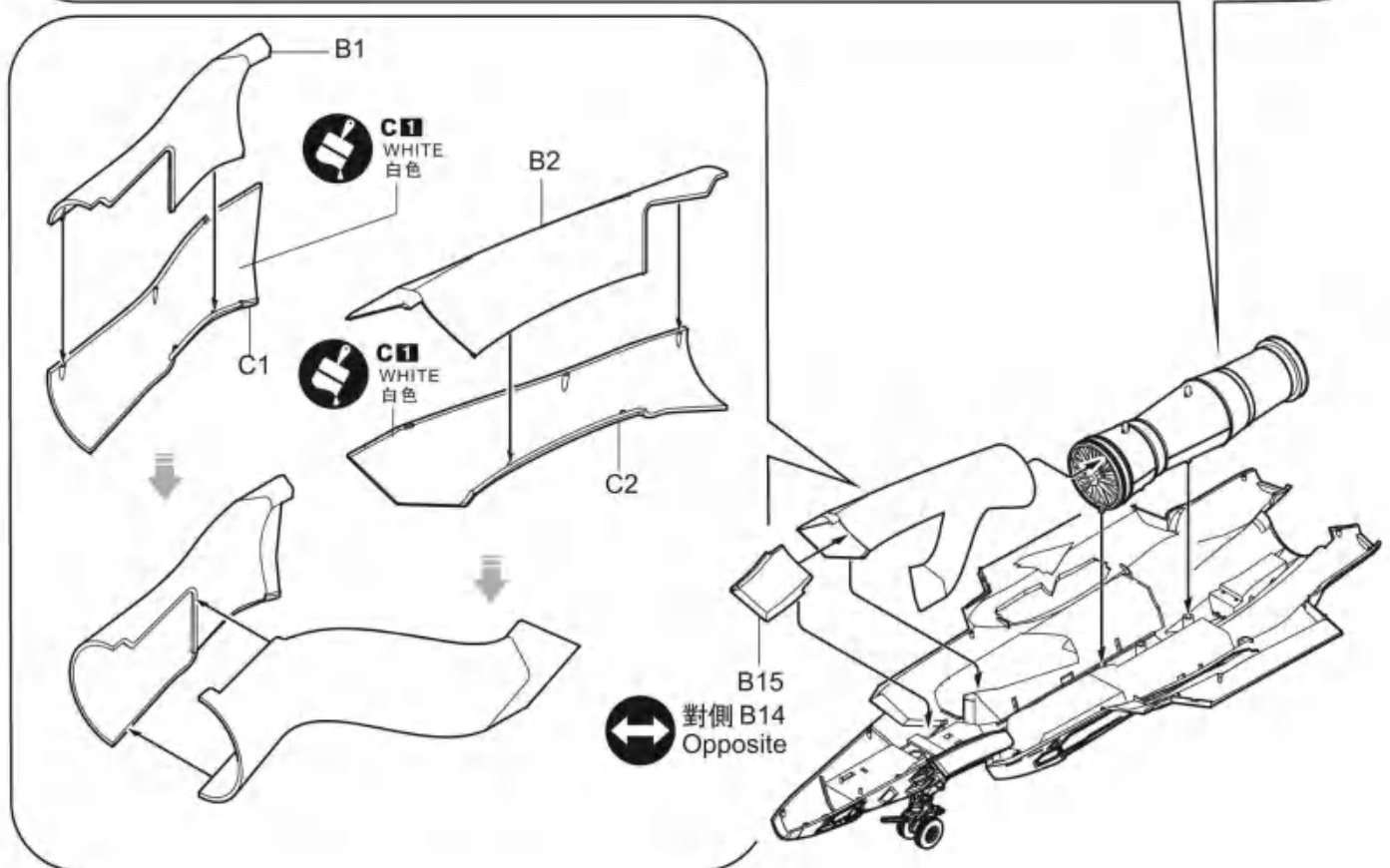
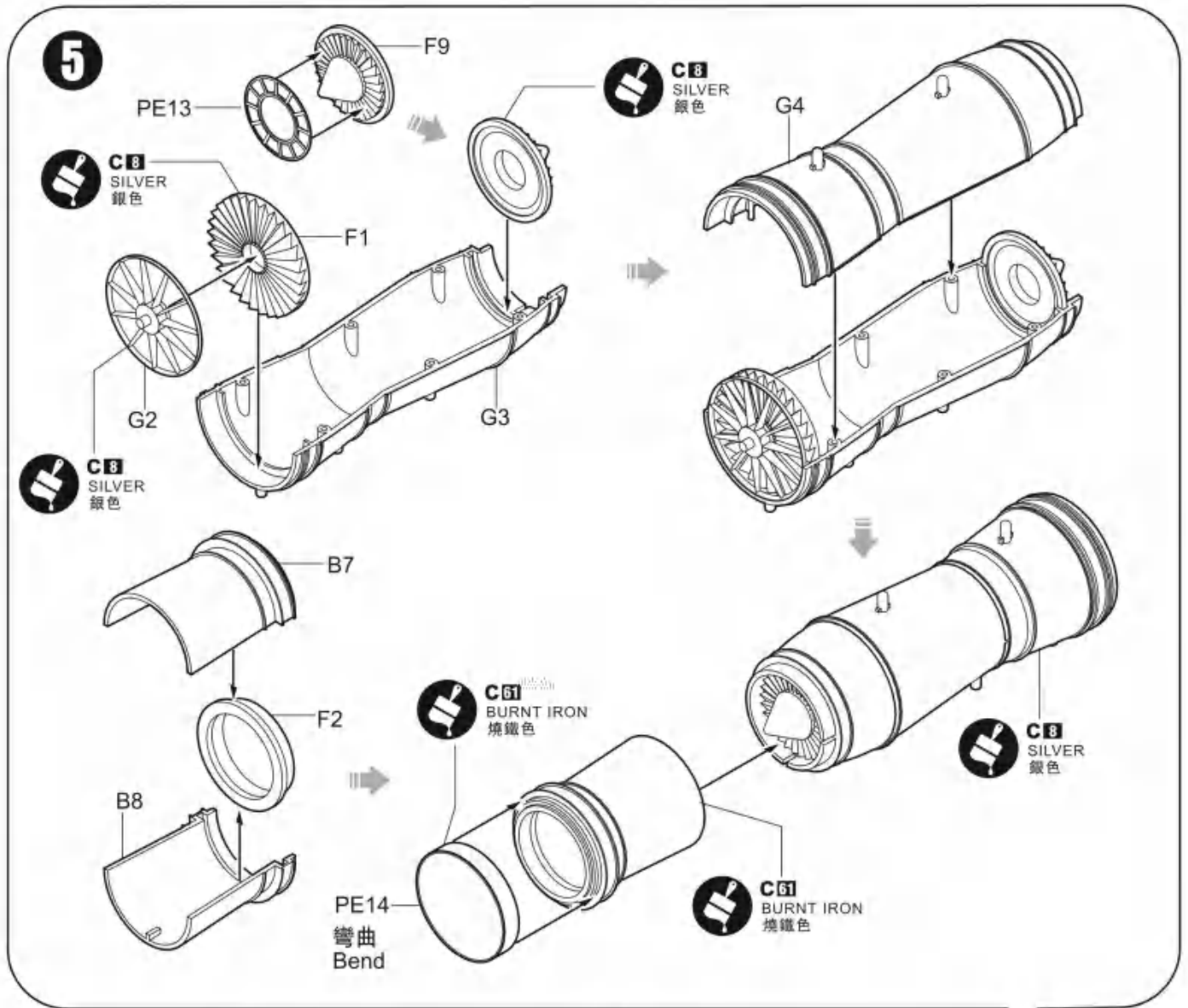


## Decal

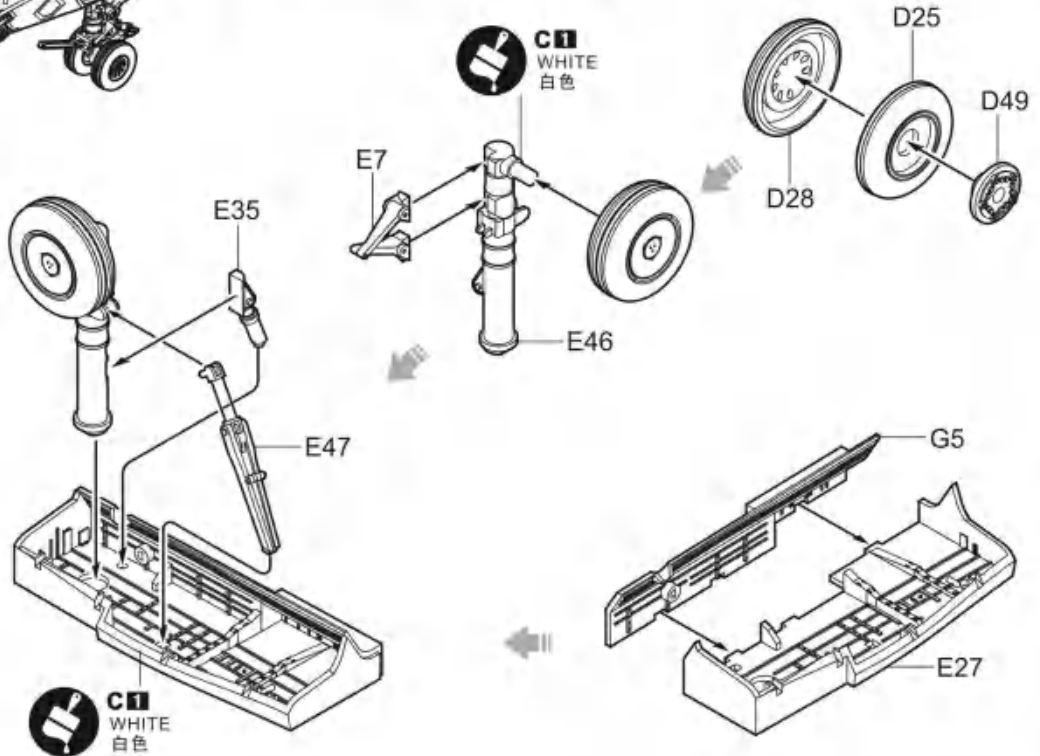
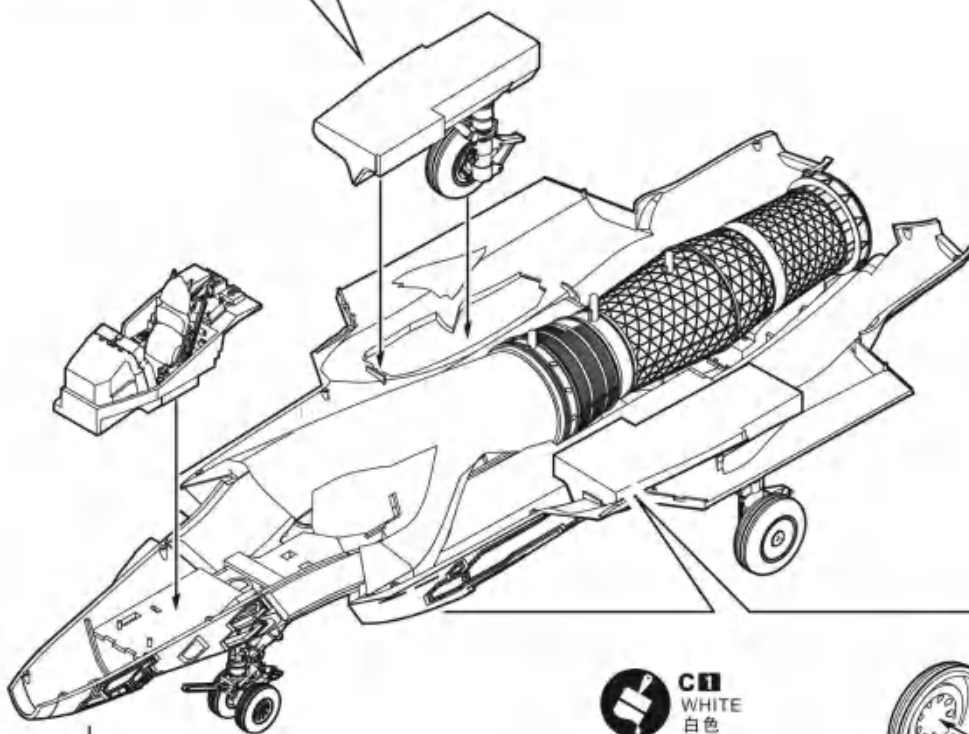
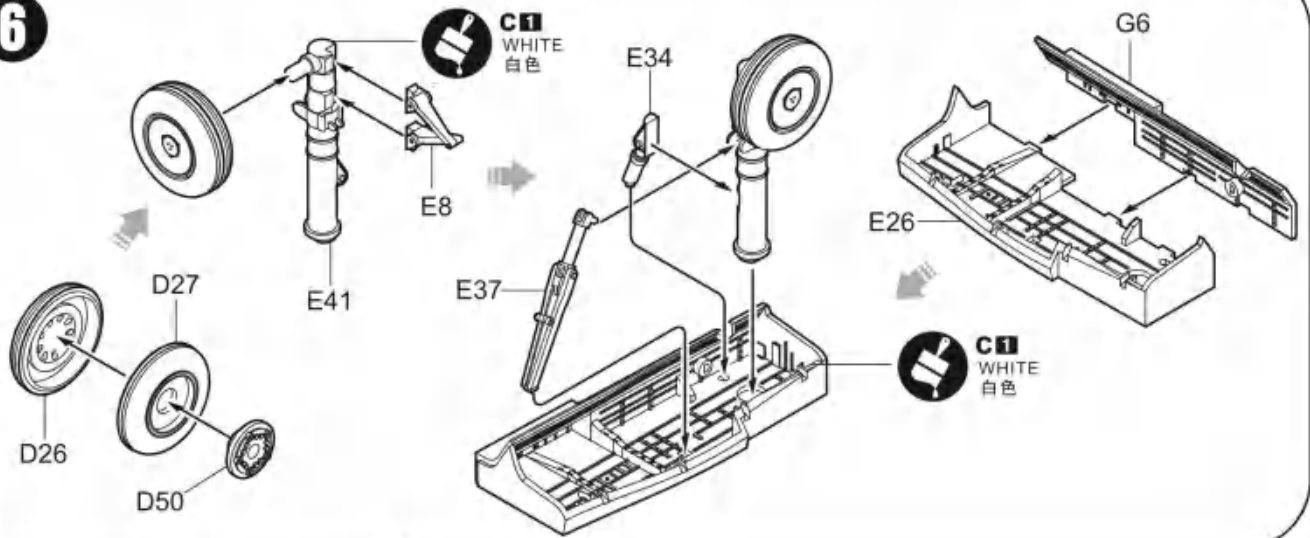




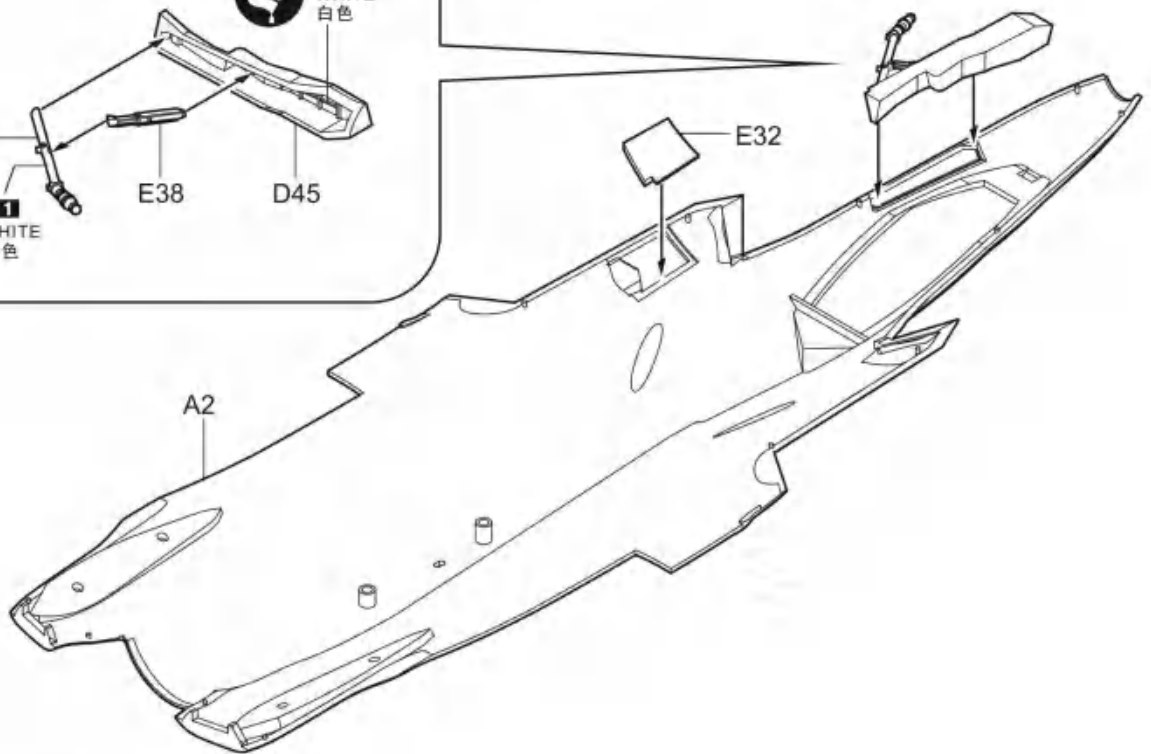
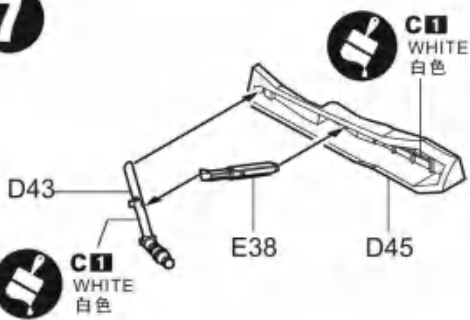




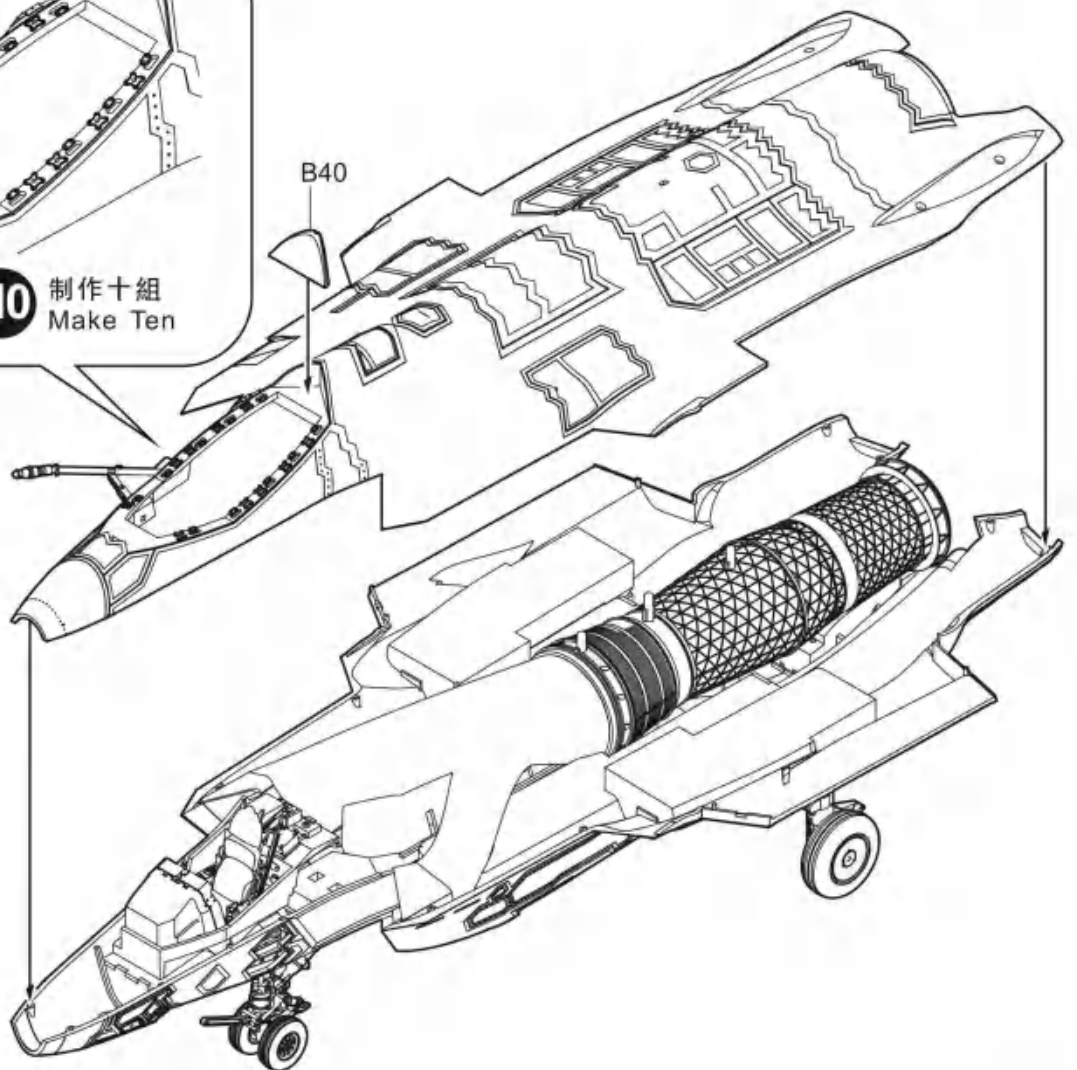
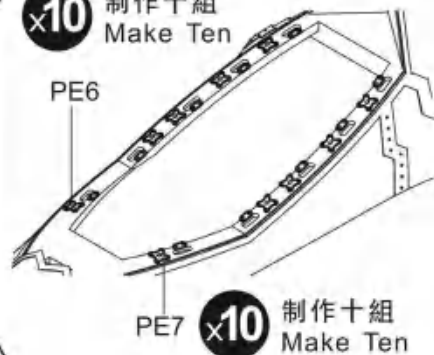
6



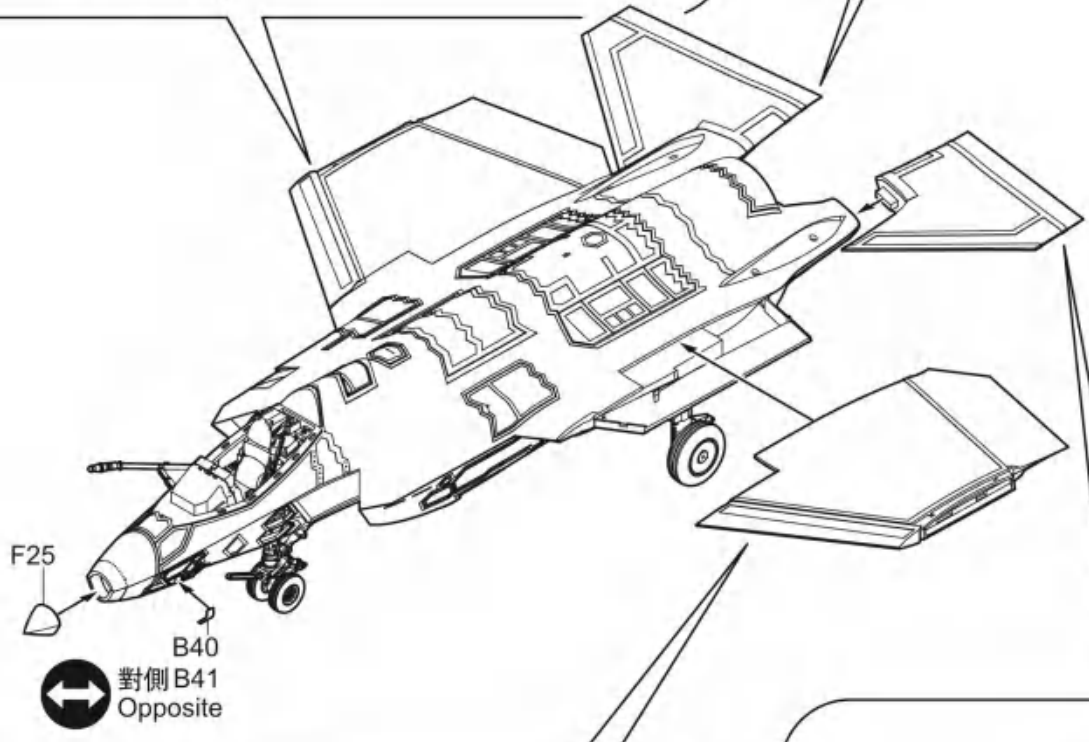
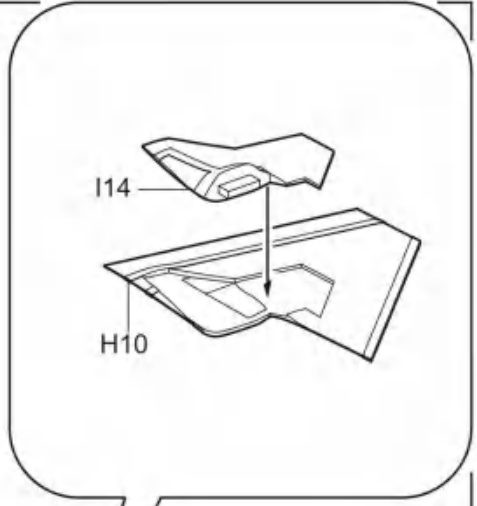
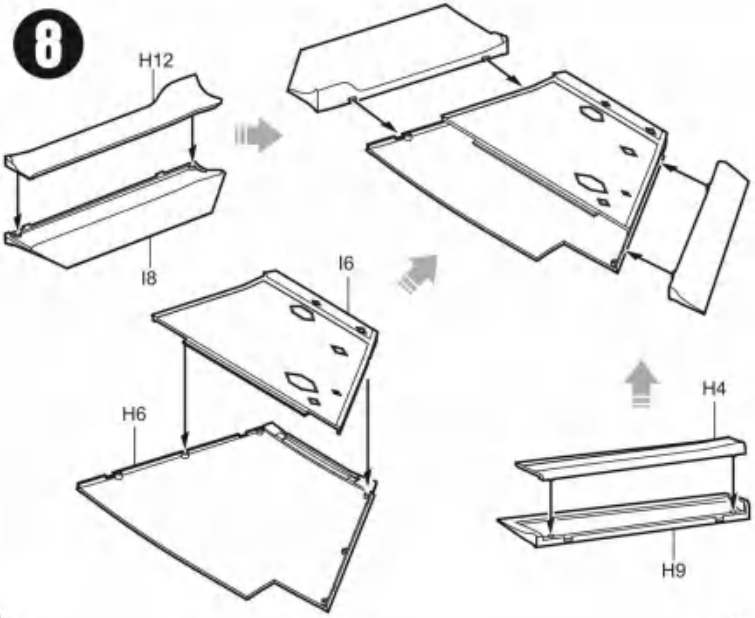
7



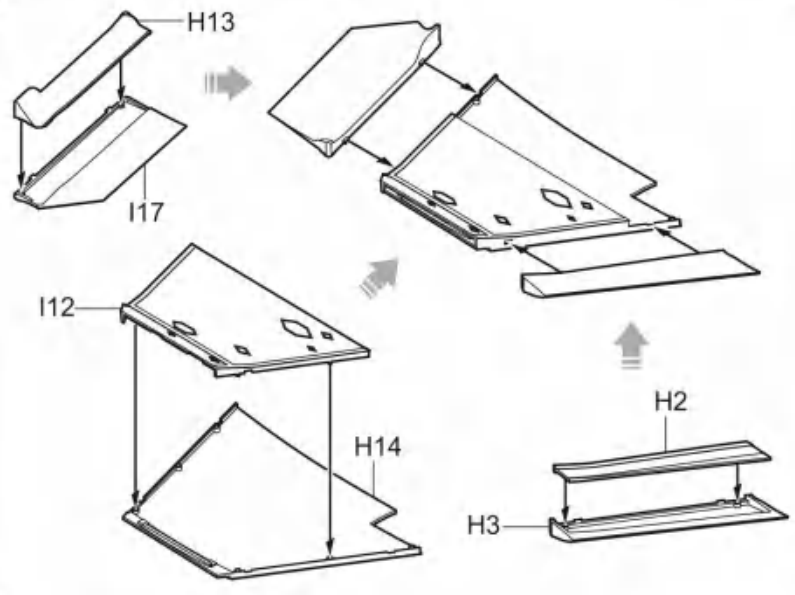
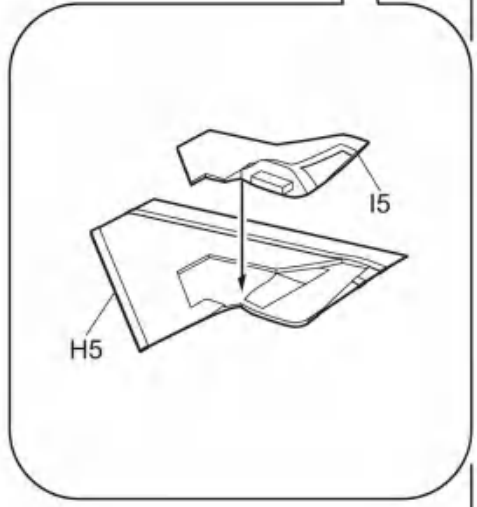
x10 制作十組  
Make Ten



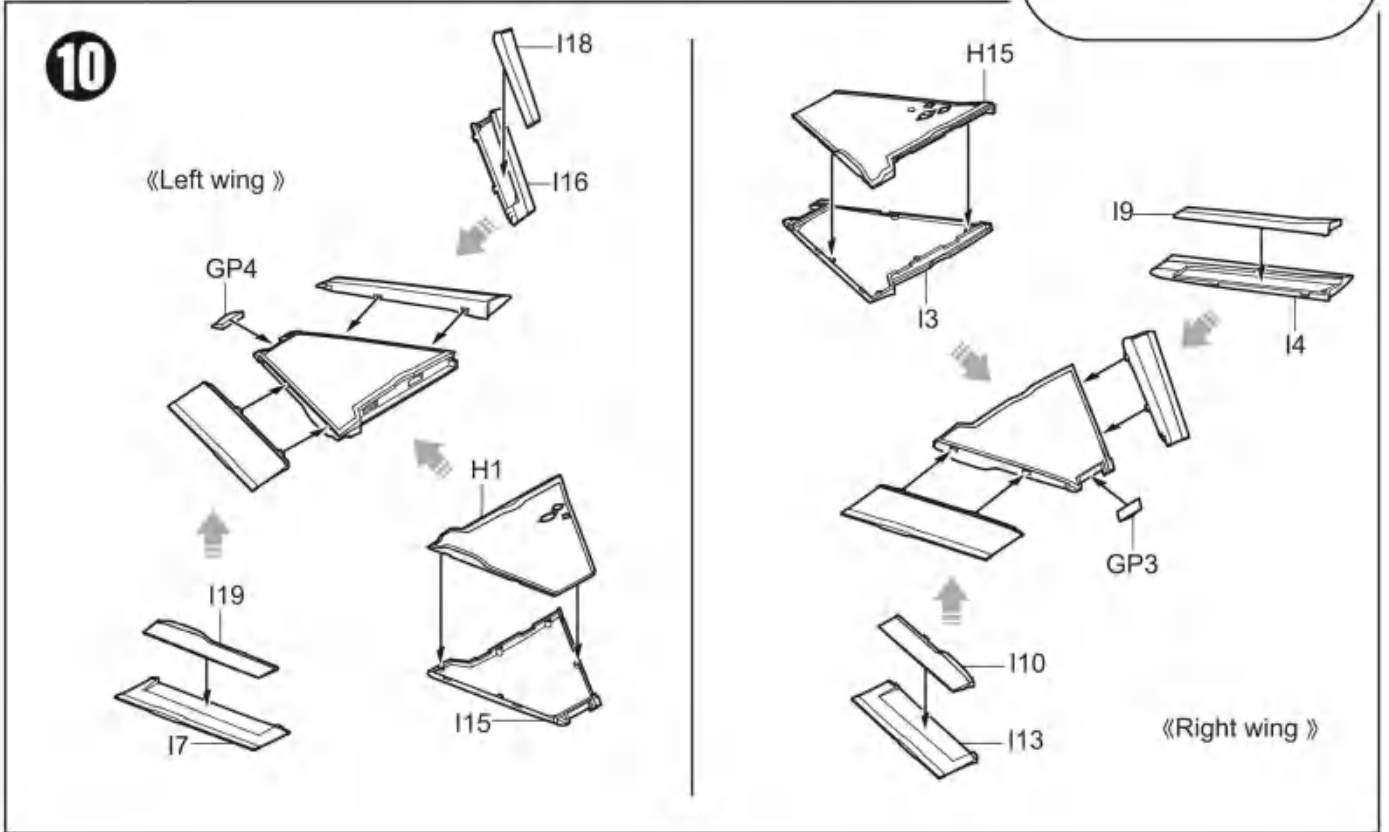
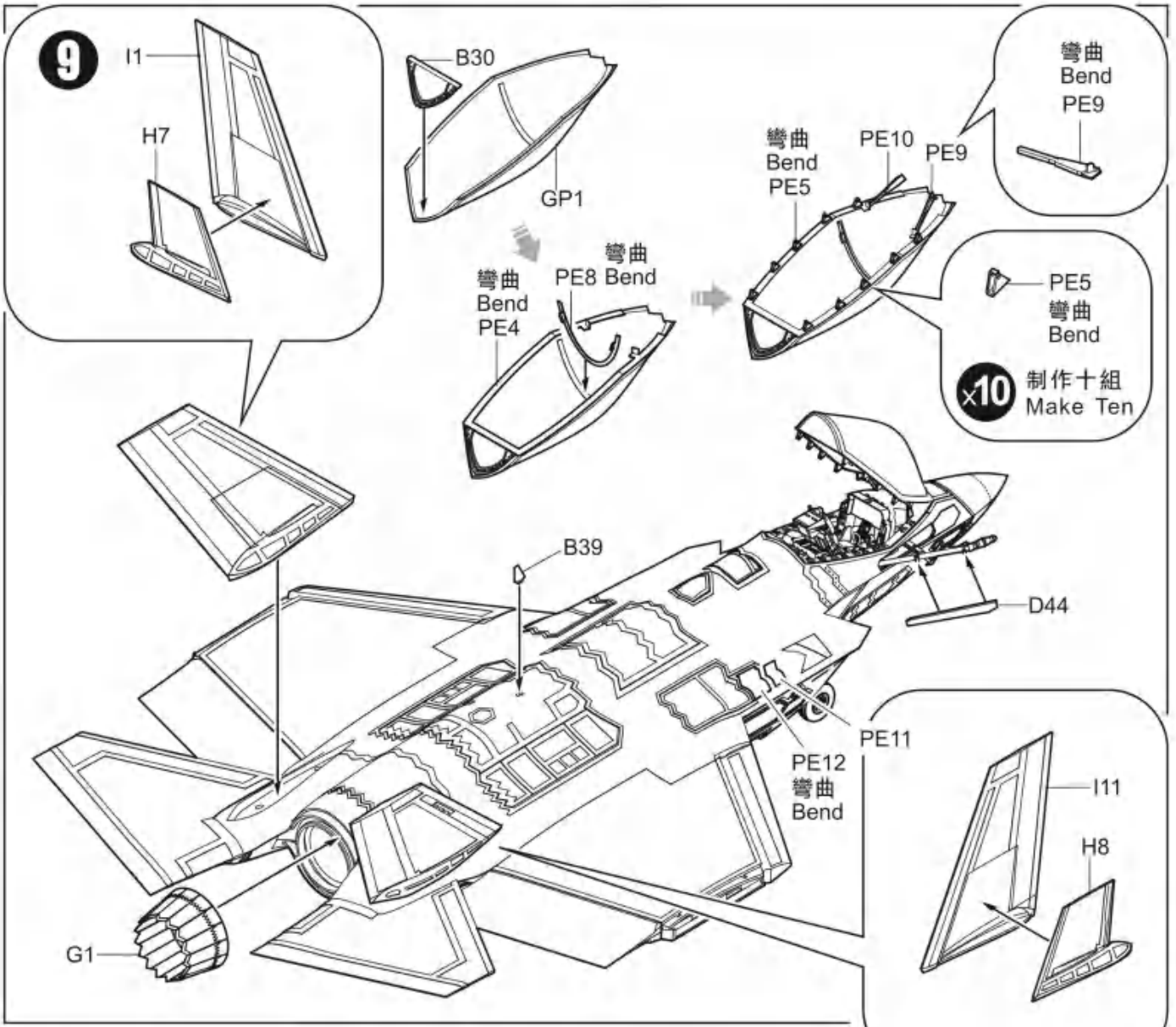
8




 對側 B41  
 Opposite

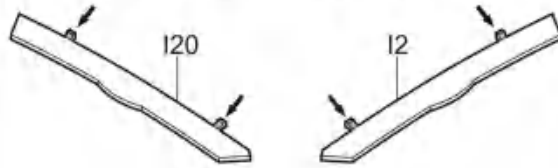






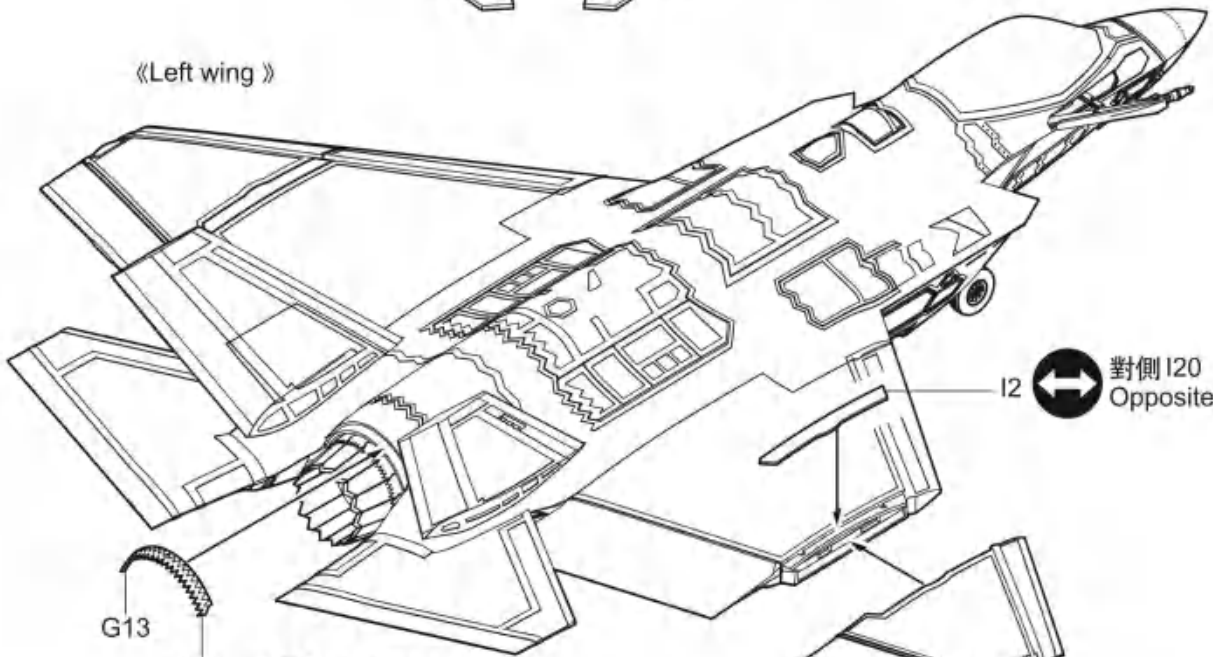
11

當制作機翼展開狀態時，請切除陰影部分的零件  
remove this Grey shading indicates when the wing unfold



! 請注意  
Special instructions

《Left wing》



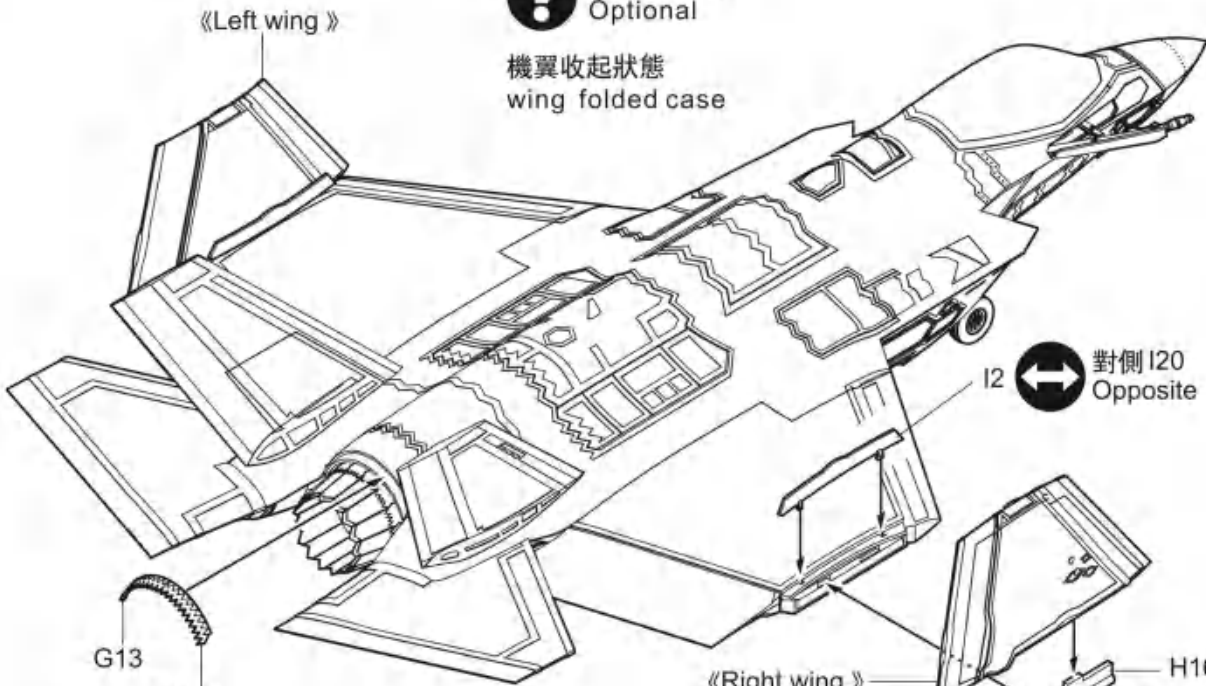
? 隨愛好選擇  
Optional

機翼打開狀態  
wing unfold case

《Right wing》

? 隨愛好選擇  
Optional

機翼收起狀態  
wing folded case



《Left wing》

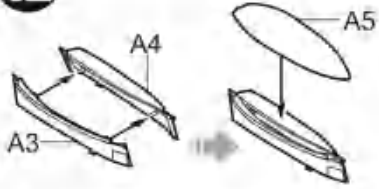
對側 I20  
Opposite

G13  
G14

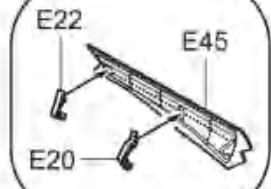
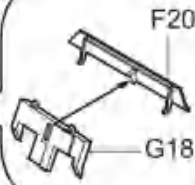
《Right wing》

對側 H11  
Opposite

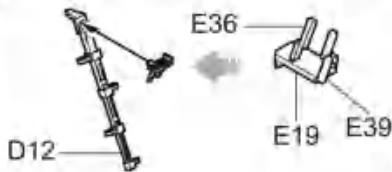
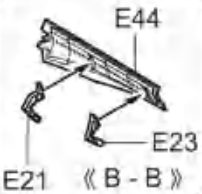
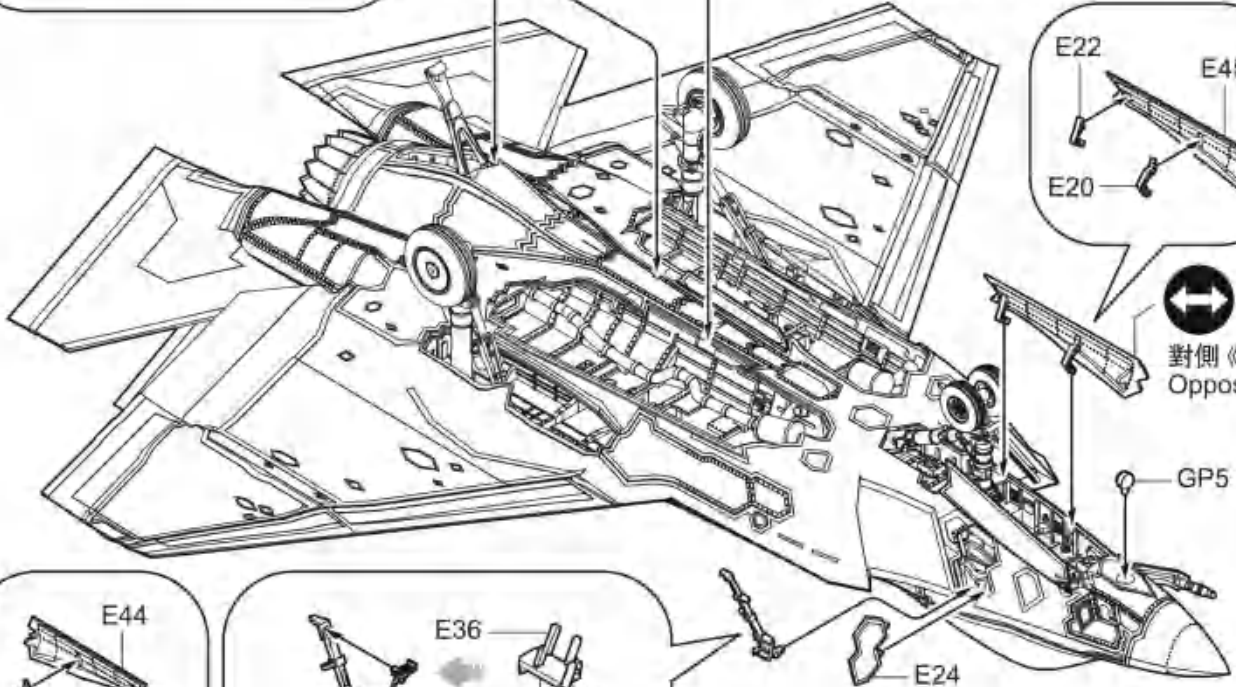
12



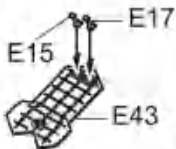
對側《A-A》  
Opposite



對側《B-B》  
Opposite



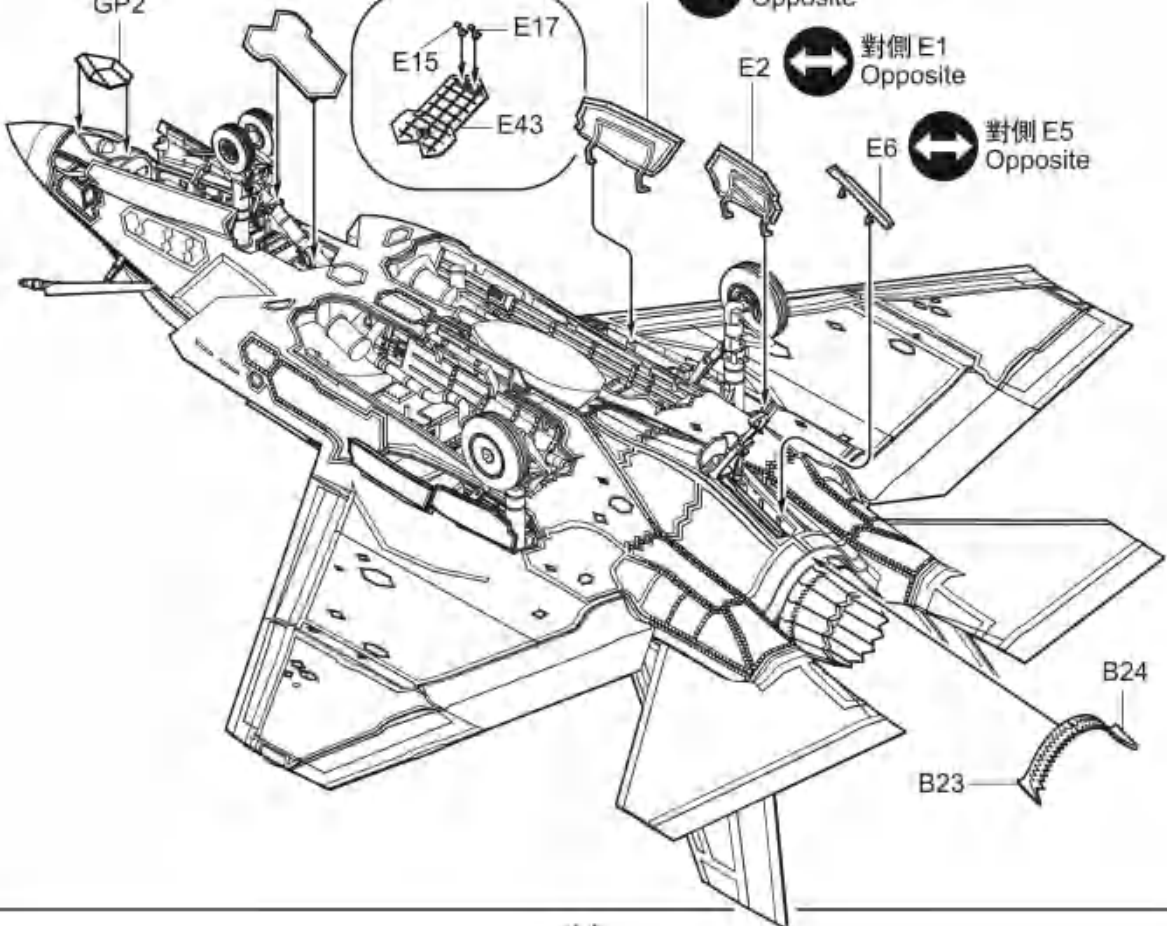
GP2



對側 E3  
Opposite

對側 E1  
Opposite

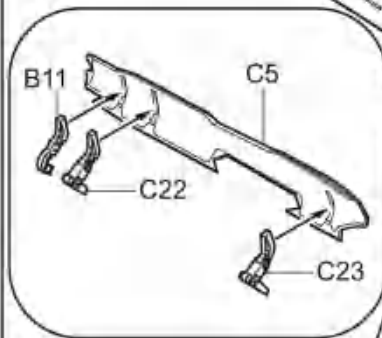
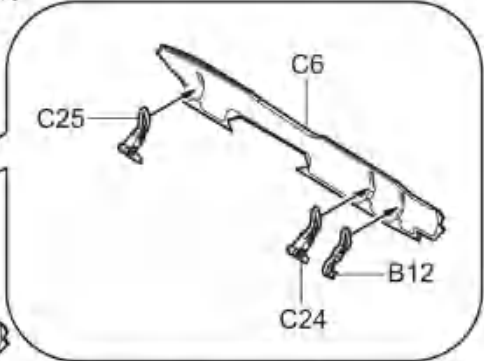
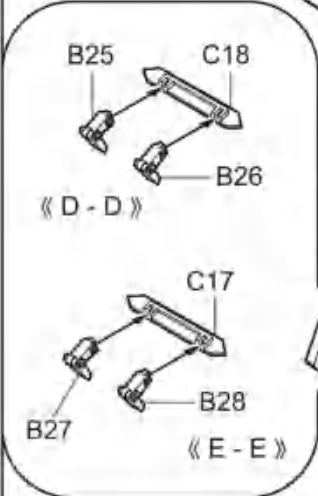
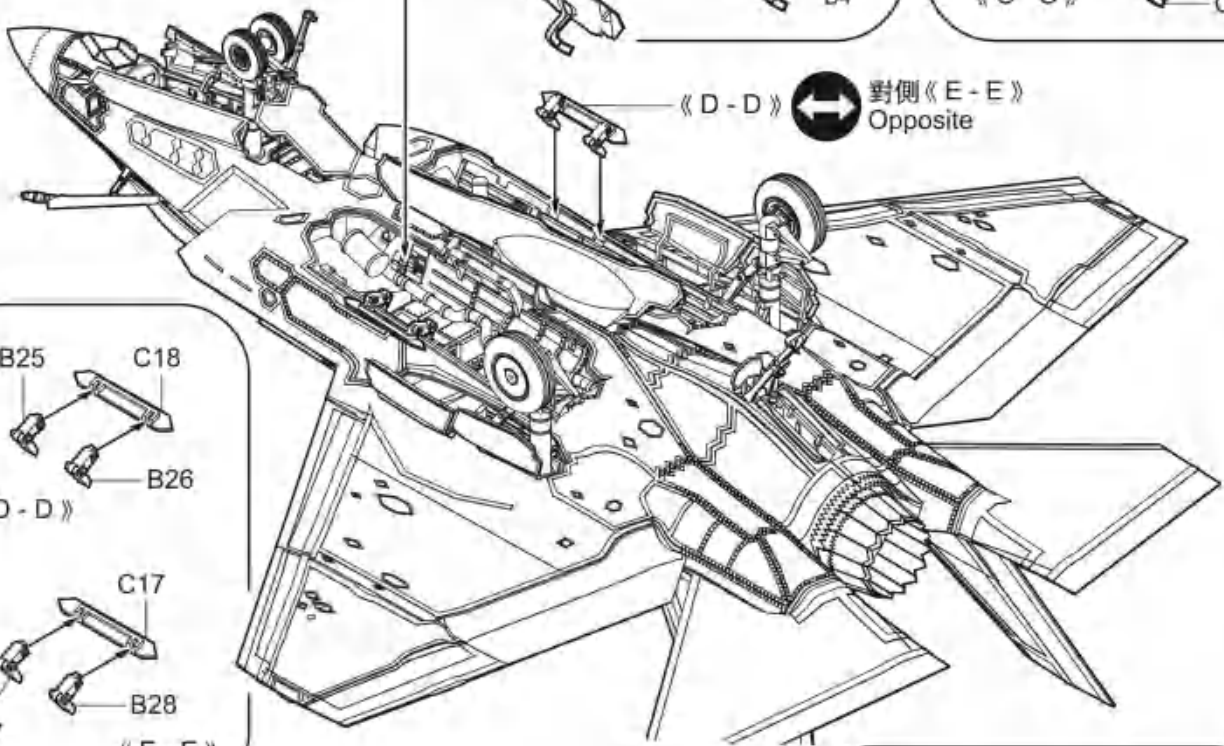
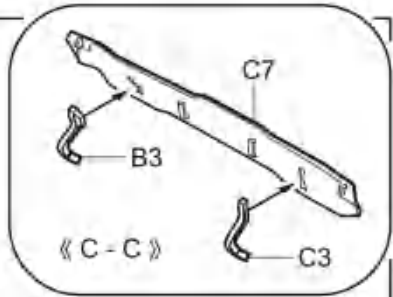
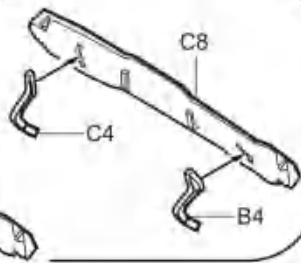
對側 E5  
Opposite



B24, B23

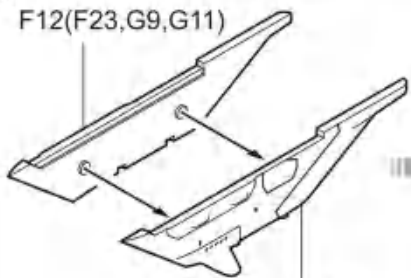
13

對側《C-C》  
Opposite

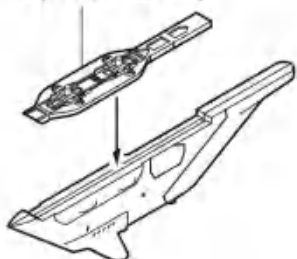


14

F12(F23,G9,G11)

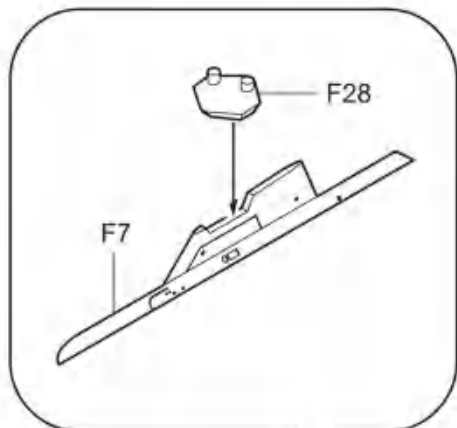


F16(F17,F18,F19)



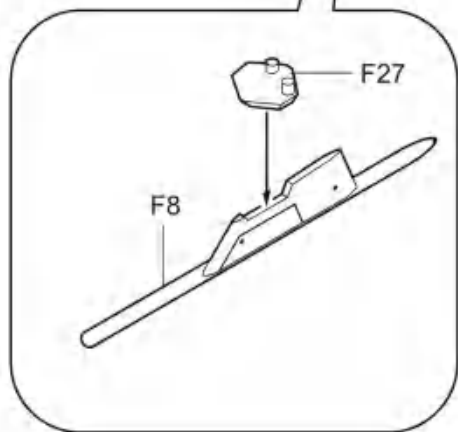
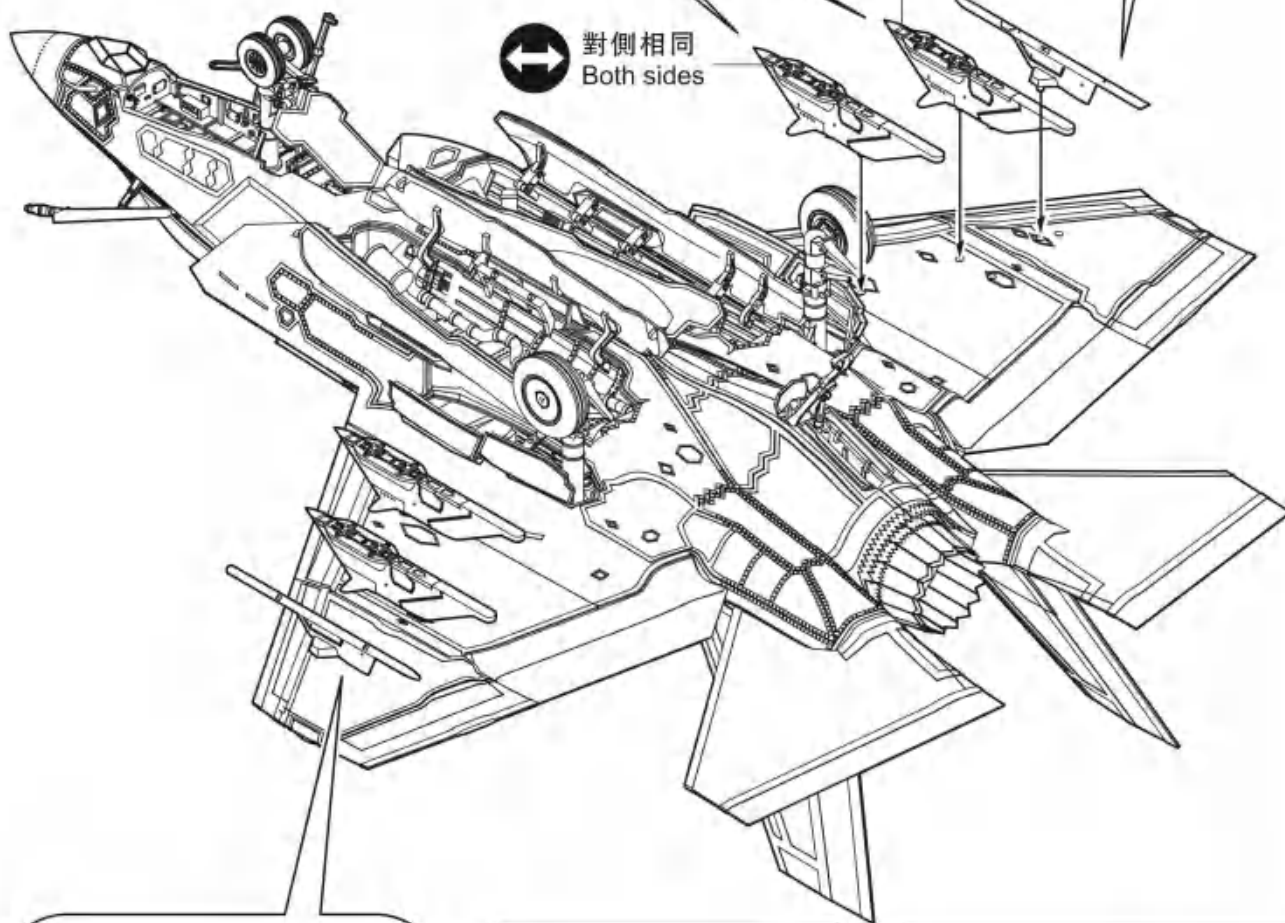
F13(F22,G10,G12)

x4 制作四組  
Make Four



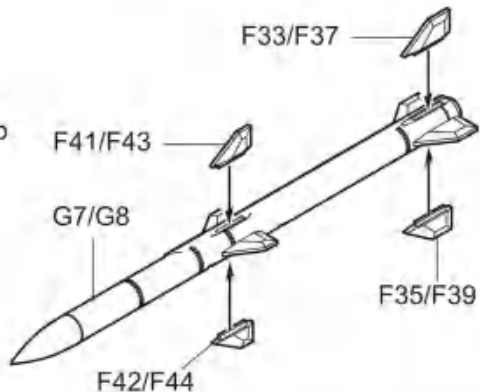
對側相同  
Both sides

對側相同  
Both sides

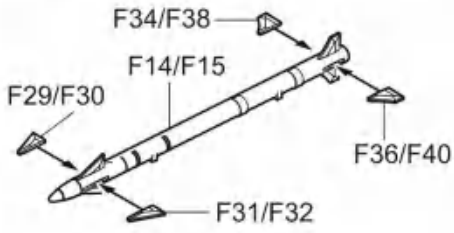


AIM-120

x2 制作兩組  
Make Two

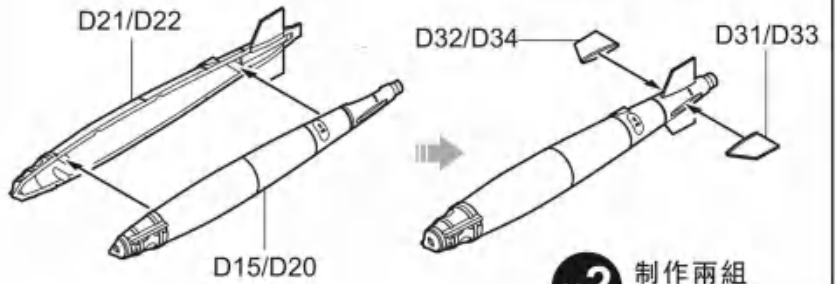


AIM-9X



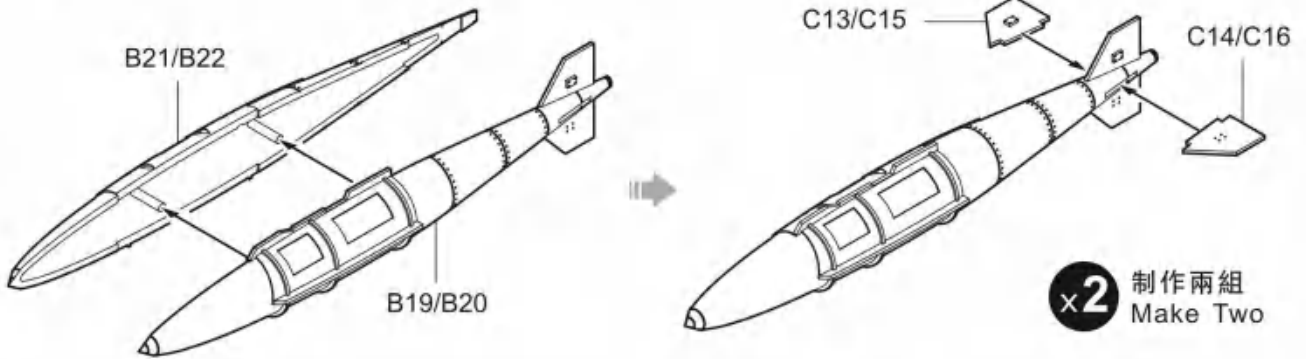
**x2** 制作兩組  
Make Two

GBU-38



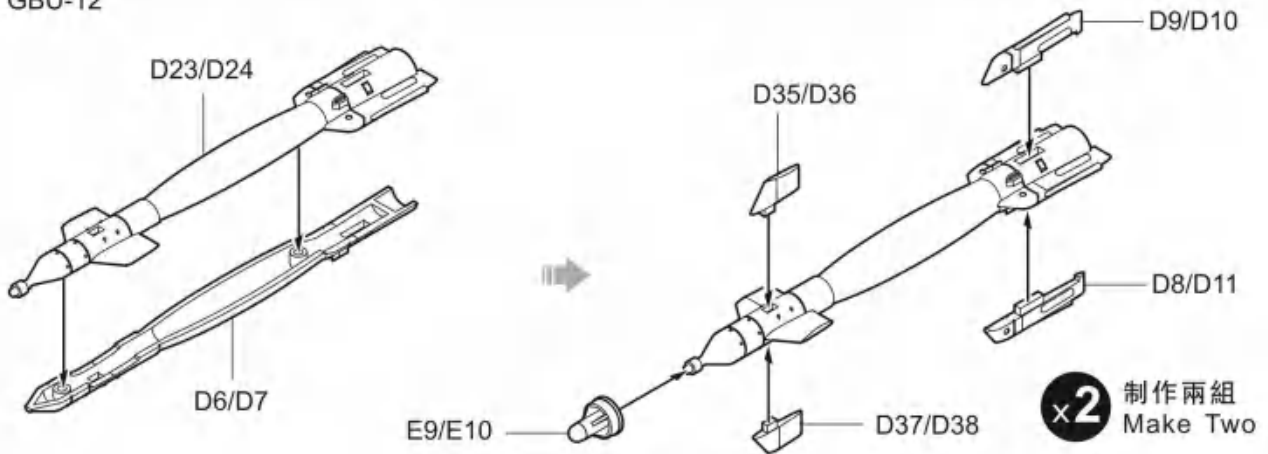
**x2** 制作兩組  
Make Two

GBU-31B



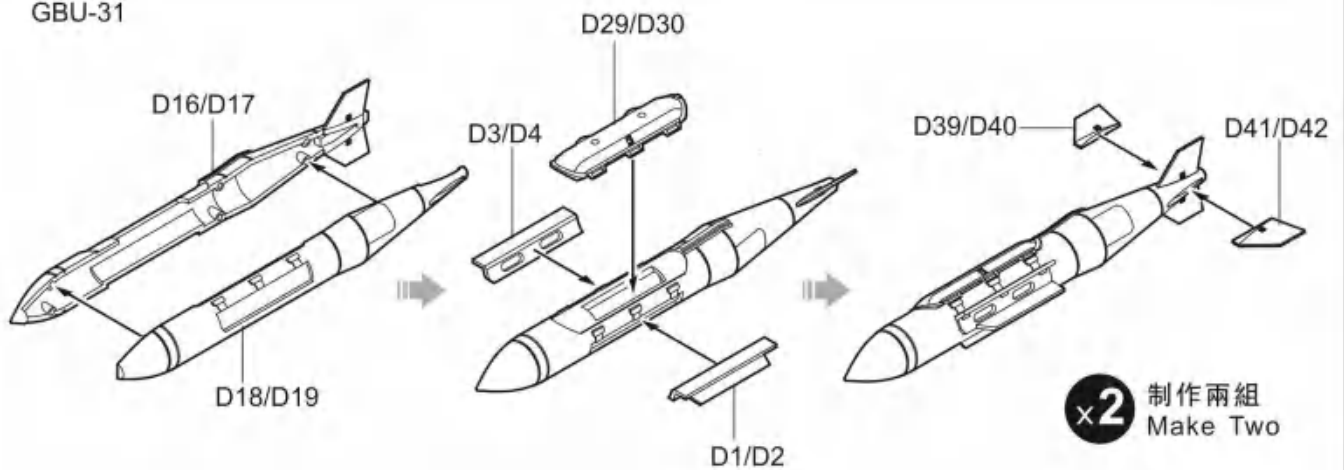
**x2** 制作兩組  
Make Two

GBU-12

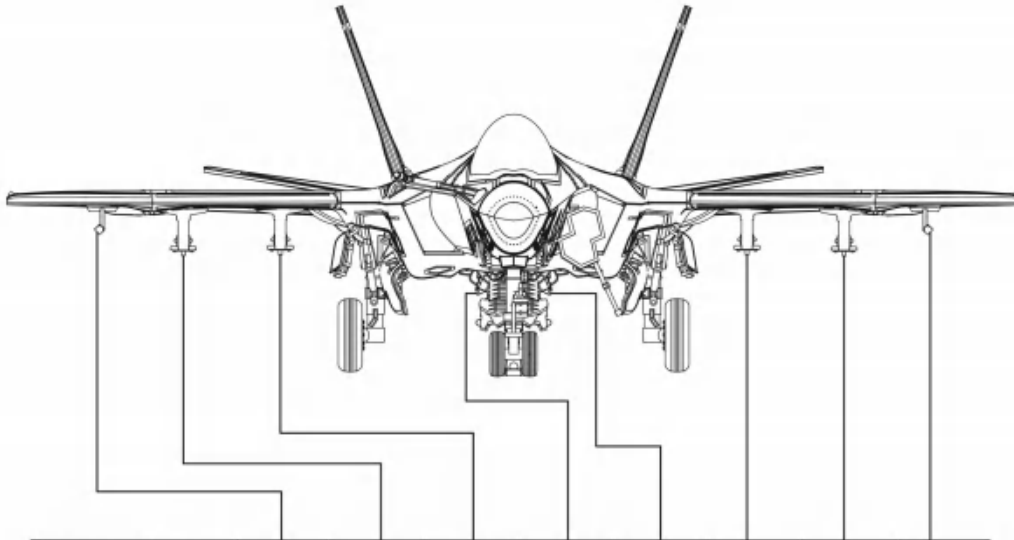


**x2** 制作兩組  
Make Two

GBU-31

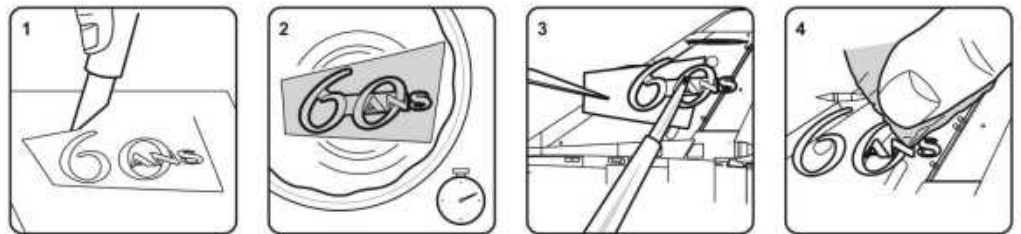


**x2** 制作兩組  
Make Two



Sta No.	1	2	3	4	5	6	7	8
AIM-120				●	●			
AIM-9X	●							●
GBU-38		●	●			●	●	
GBU-31B		●	●			●	●	
GBU-12		●	●			●	●	
GBU-31		●	●			●	●	

## DECAL APPLICATION



1. Cut off decal from transfer sheet.
2. Dip the decal in water for about 10 seconds ( may take more seconds if in low temperature), and place on a clean cloth.
3. Hold the backing paper edge and slide decal onto the model. Then move decal into position by wetting decal with brush or finger.
4. Press decal gently down with a soft cloth until excess water and air bubbles are gone.



# Painting & marking Guide

塗裝與水貼

**AIM-9X** x2

**C308** GRAY FS36375 FS36375 灰

a decal a or decal b, c

? 隨愛好選擇 Optional

**C2** BLACK 黑色

a decal a or decal b, c

? 隨愛好選擇 Optional

**AIM-120** x2

f decal f or decal g

? 隨愛好選擇 Optional

f decal f or decal g

? 隨愛好選擇 Optional

f decal f or decal h

? 隨愛好選擇 Optional

**C316** WHITE FS 17875 FS 17875 白

**C308** GRAY FS36375 FS36375 灰

**GBU-12** x2

47

62

↔ 對側 62 Opposite

**C88** OLIVER DRAB 橄欖色

**GBU-31B** x2

**C308** GRAY FS36375 FS36375 灰

e

**C88** OLIVER DRAB 橄欖色

**GBU-31** x2

18

↔ 對側 18 Opposite

d

**C88** OLIVER DRAB 橄欖色

**C88** OLIVER DRAB 橄欖色

**GBU-38** x2

52

↔ 對側 52 Opposite

**Recon Pod**

**C308** GRAY FS36375 FS36375 灰

43

1

# 1:48 F-35C "Lightning" Painting & marking Guide

A. F-35C, U.S. Navy, NO-01, VF-101

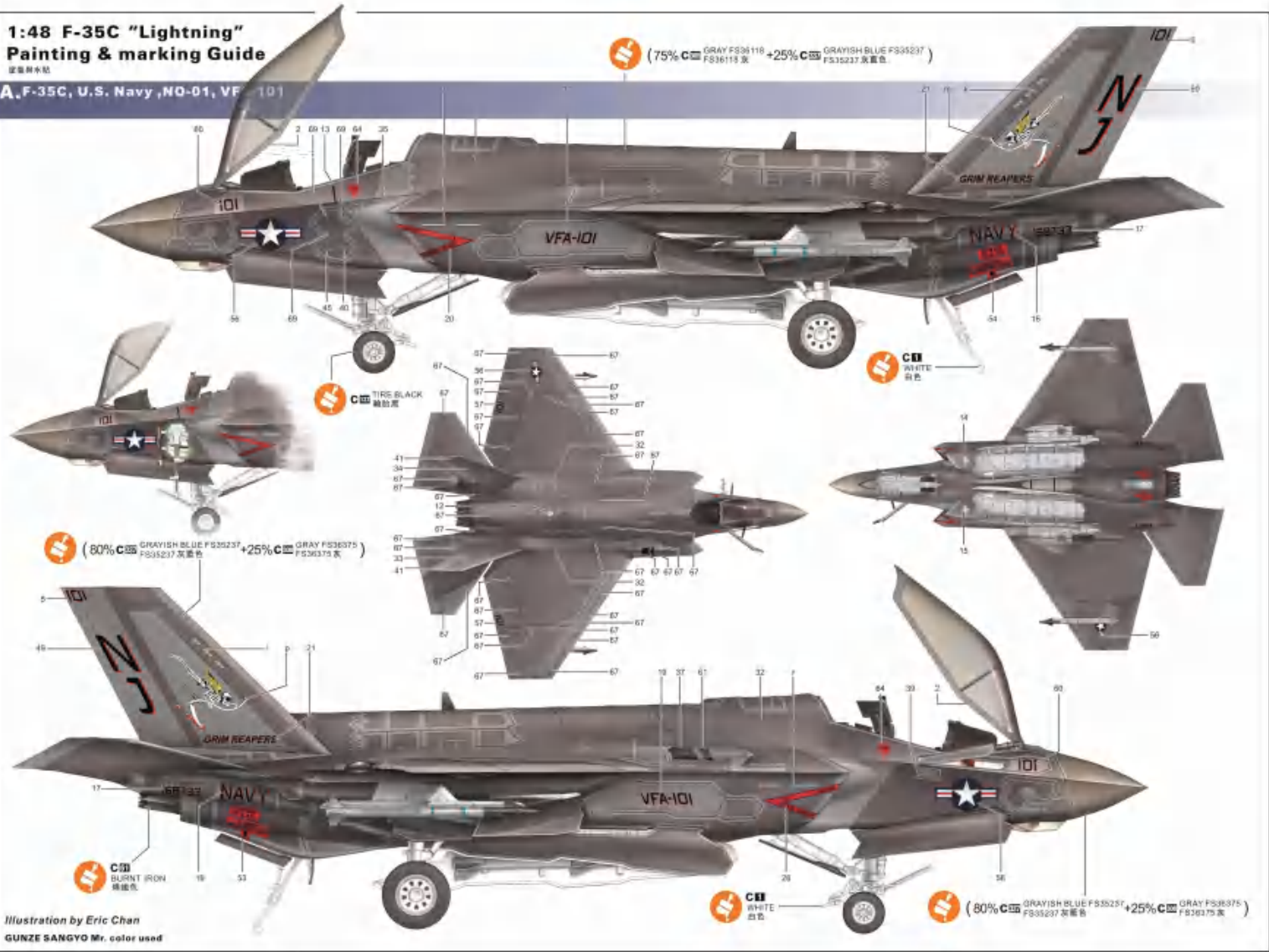


Illustration by Eric Chan  
GUNZE SANGYO Mr. color used

# Painting & marking Guide

B, F-35C, U.S. Navy, CF-01

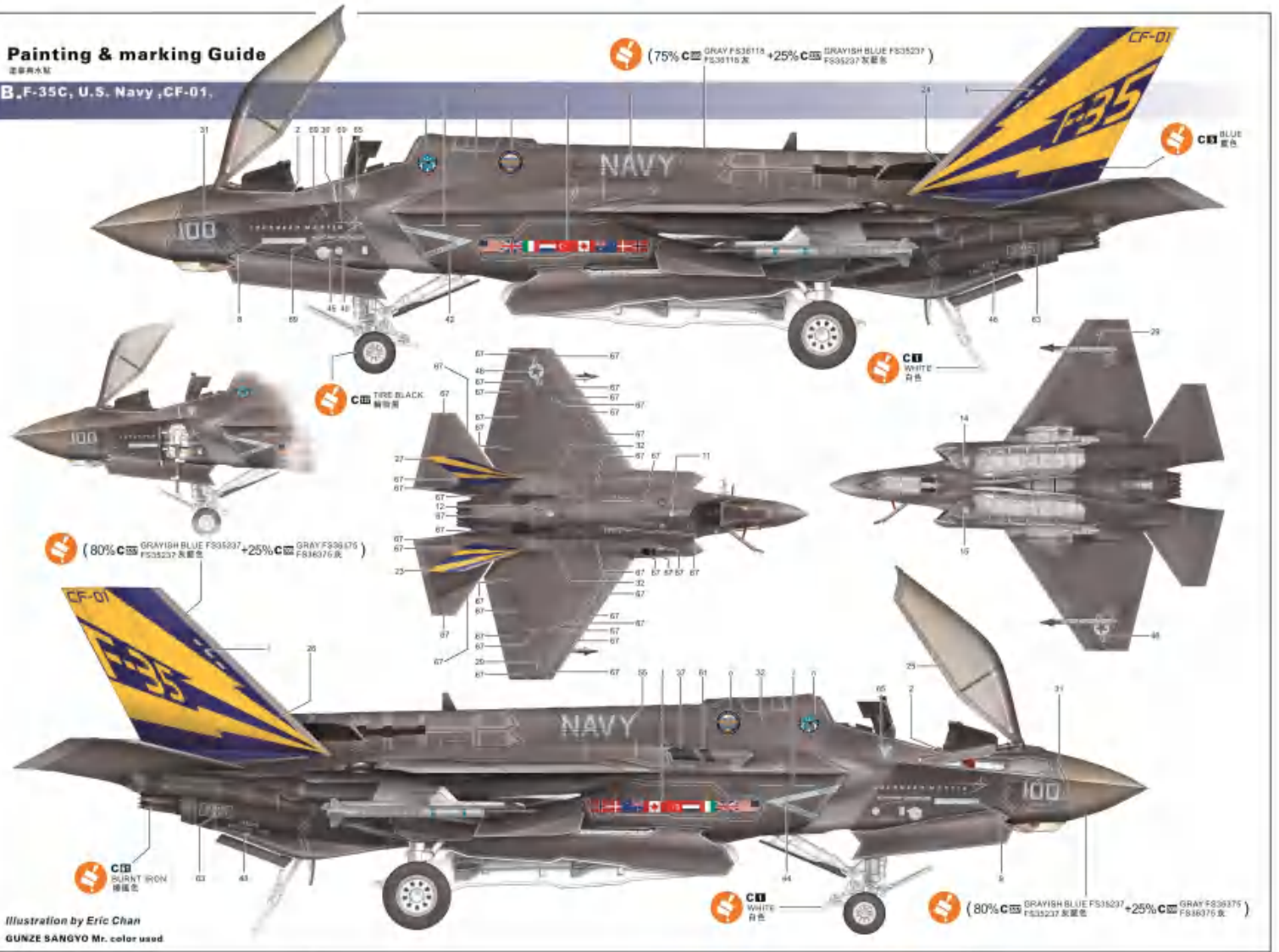


Illustration by Eric Chan  
GUNZE SANGYO Mr. color used

# Painting & marking Guide

塗裝與水貼

**C.F-35C, U.S. Navy**  
**CF-03.**



(75% C 75 GRAY FS36118 FS36118 灰 +25% C 25 GRAYISH BLUE FS35237 灰藍色)



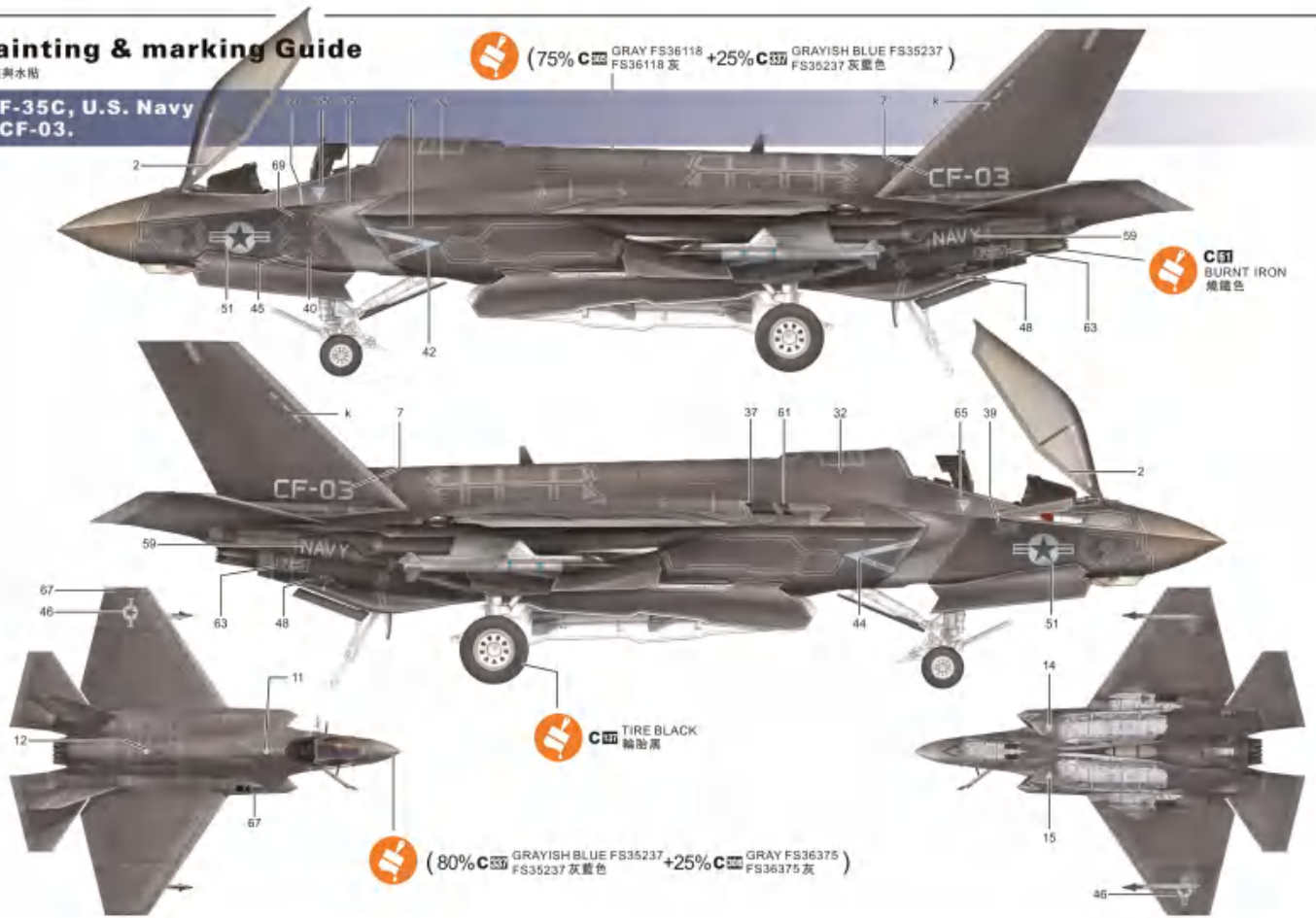
C 6 BURNT IRON 燒鐵色



C 1 TIRE BLACK 輪胎黑



(80% C 80 GRAYISH BLUE FS35237 灰藍色 +25% C 25 GRAY FS36375 灰)



# Painting & marking Guide

塗裝與水貼

D, F-35C, U.S. Navy  
CF-01, prototype



(75% **C** GRAY FS36118  
FS36118 灰 +25% **C** GRAYISH BLUE FS35237  
FS35237 灰藍色)



**C** BURNT IRON  
燒鐵色



**C** BLUE  
藍色



(80% **C** GRAYISH BLUE FS35237  
FS35237 灰藍色 +25% **C** GRAY FS36375  
FS36375 灰)



(30% **C** GREEN  
綠色 +40% **C** LIGHT BLUE  
淺藍色 +30% **C** WHITE  
白色)

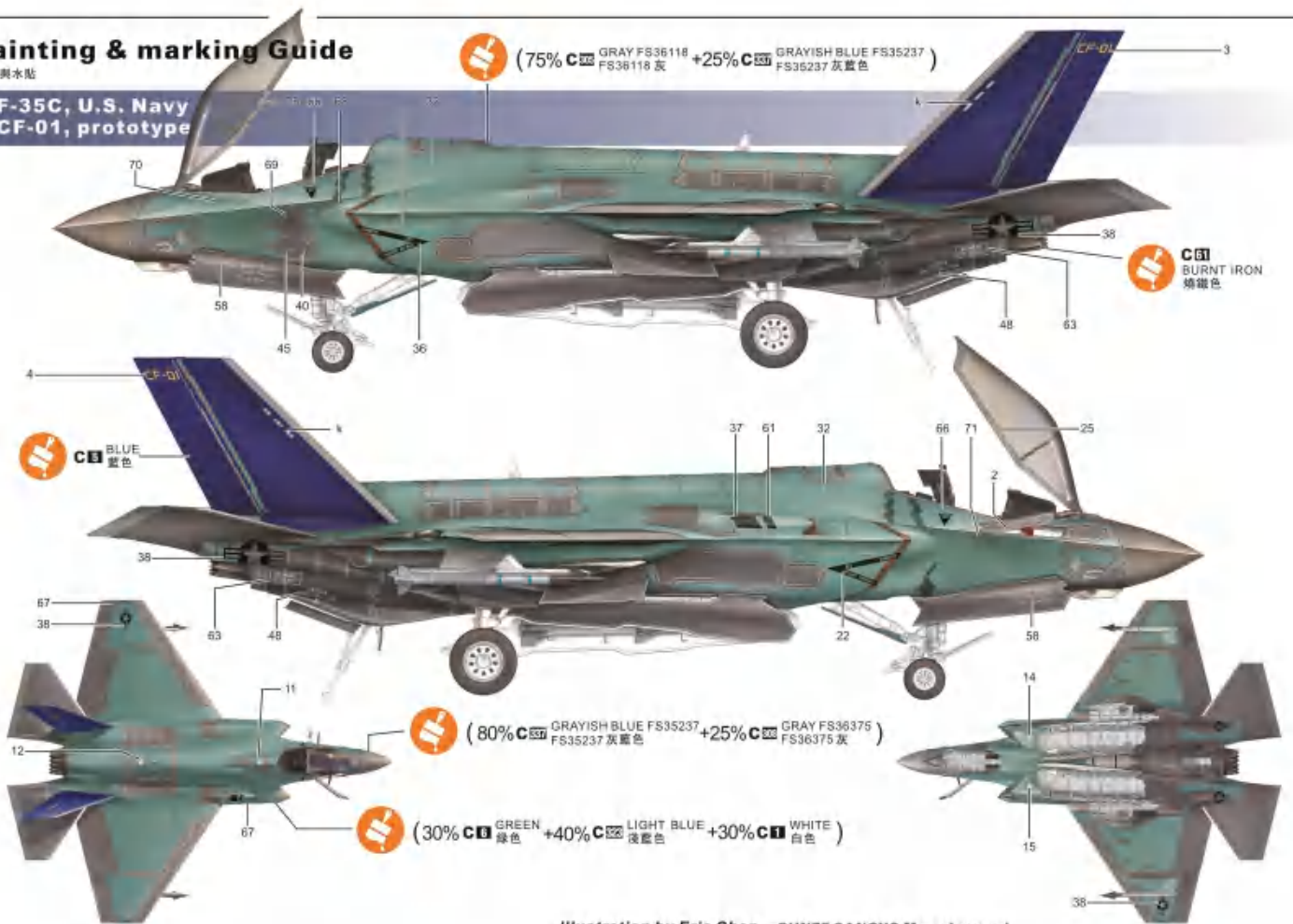


Illustration by Eric Chan GUNZE SANGYO Mr. color used