

Instruction

模型拼裝說明書

1:48 Scale



XFSU-1 ***"flying pancakes"***



美国XFSU-1"飞行薄饼"战斗机

ZM80135

READ BEFORE ASSEMBLY

在組合您的模型之前，請充分閱讀本冊說明書。組合模型您需要如下物品（需另購）：模型膠水；一把模型鉗或一把用于將零件從框架上切下的模型筆刀。筆刀同樣可以用來修整零件的合模縫。祝您制作愉快！

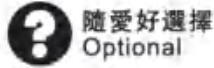
Before assembling your model kit, read through these instructions carefully. To assemble this kit, you will need Plastic glue (not include). A pair of side cutter or a sharp modelling knife is required for removing parts from the frame. Plastic mould lines can be removed with the modelling knife.



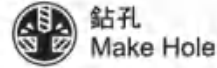
塗色
Painting



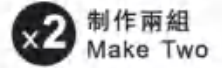
對側
Opposite



隨愛好選擇
Optional



鉗孔
Make Hole



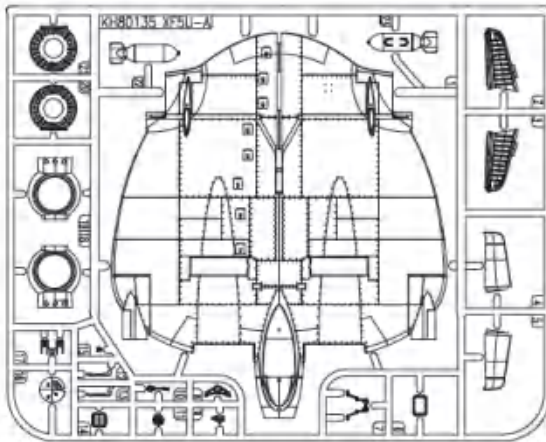
制作兩組
Make Two



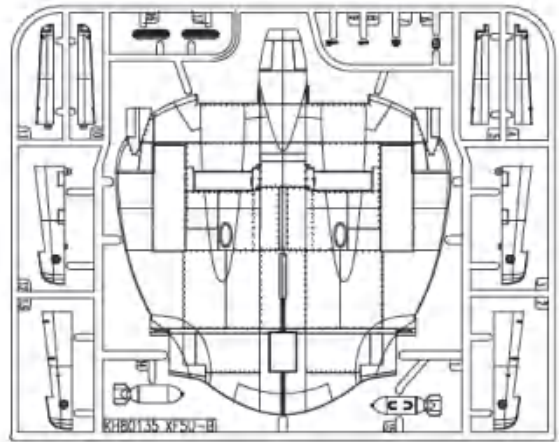
彎曲
Bend

部品圖 Parts

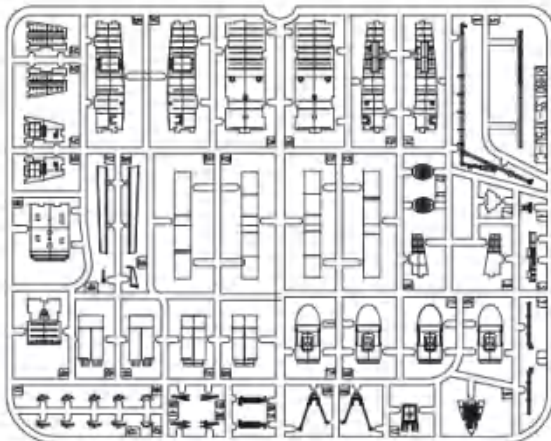
A



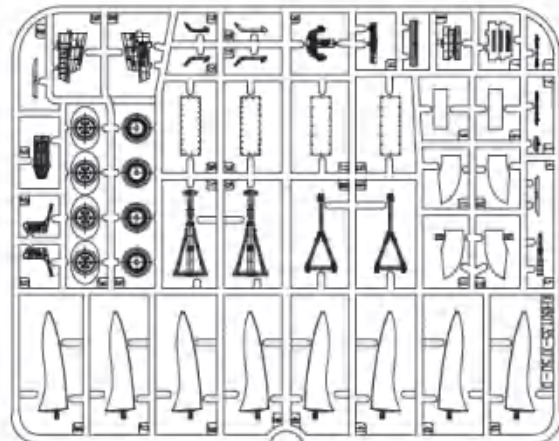
B



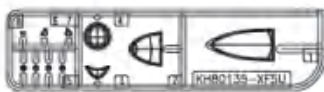
C



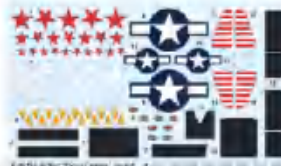
D



GP



Decal A
水貼紙A

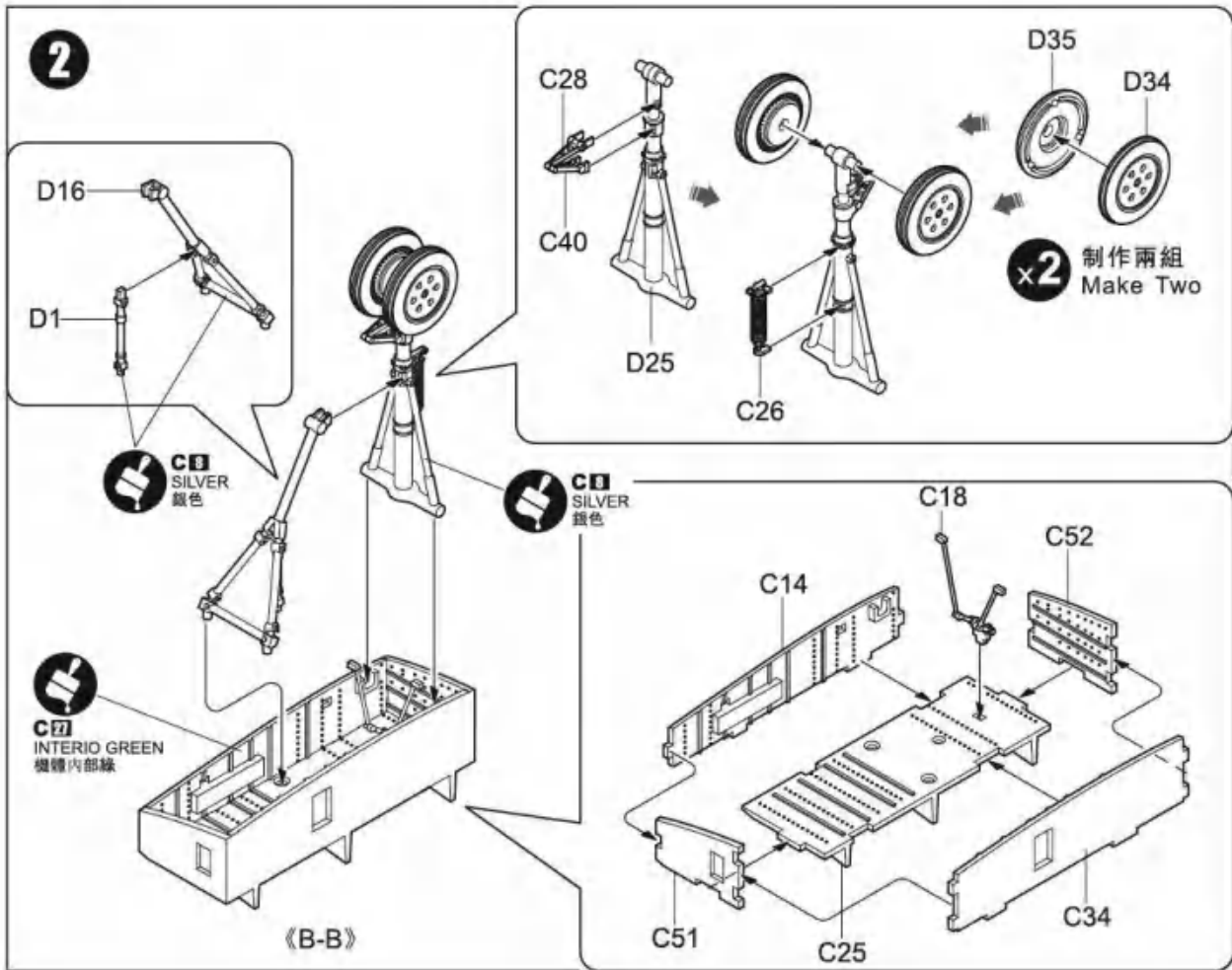
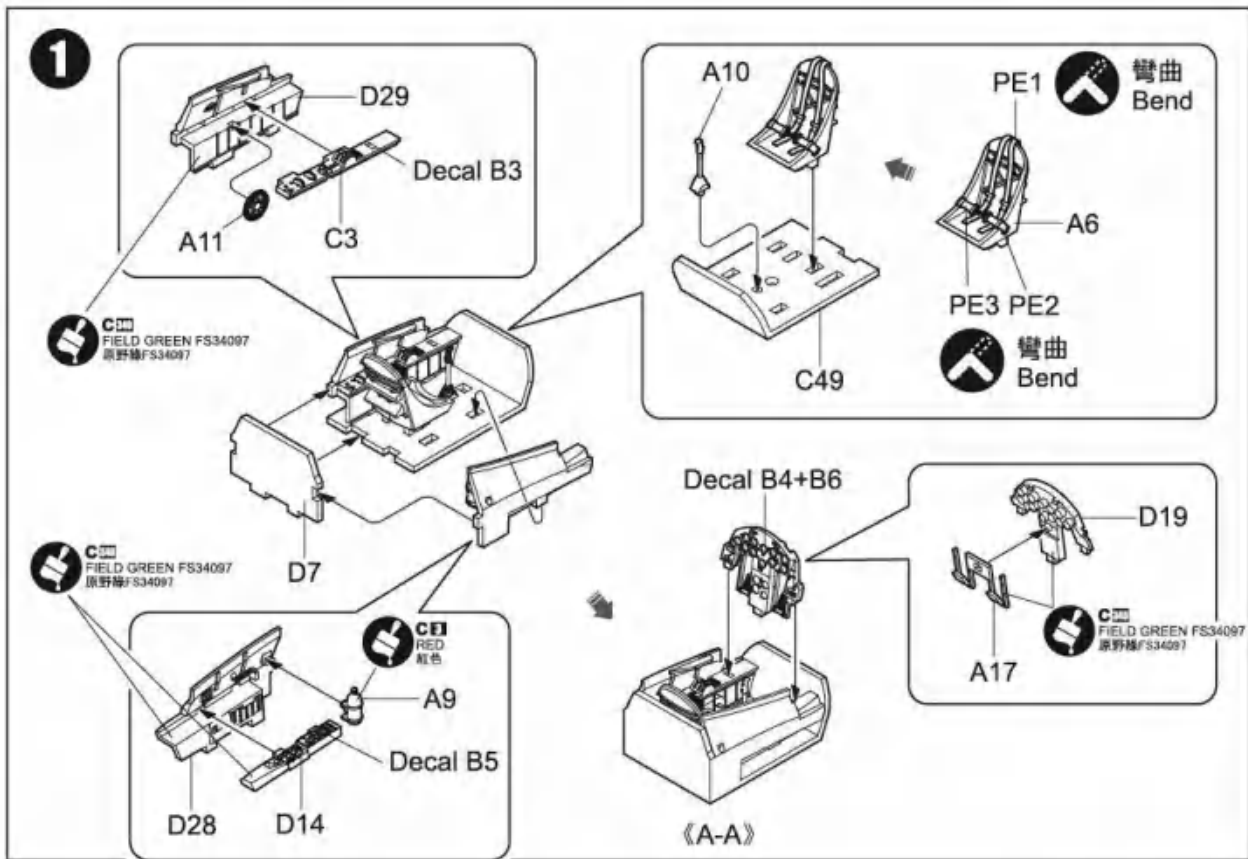


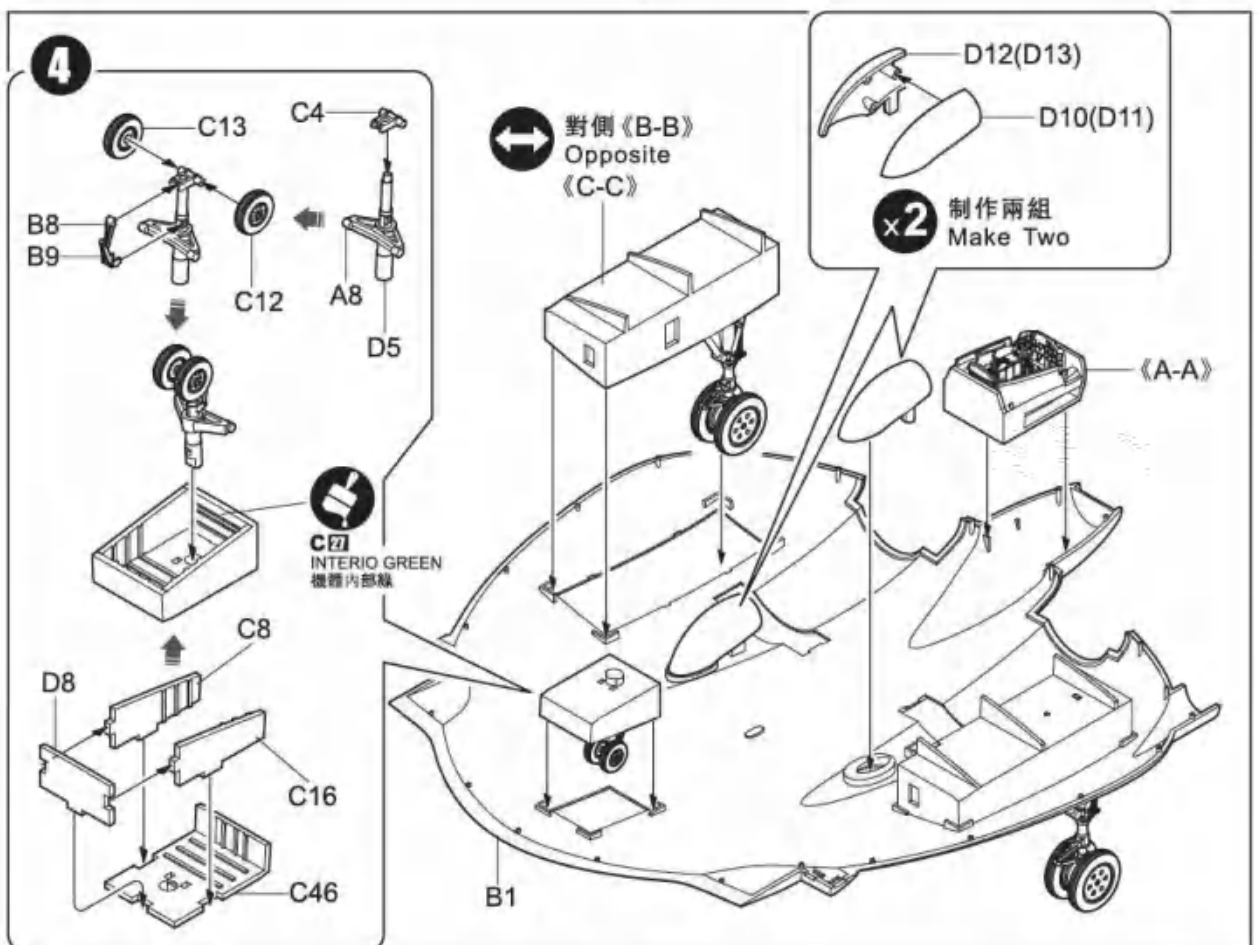
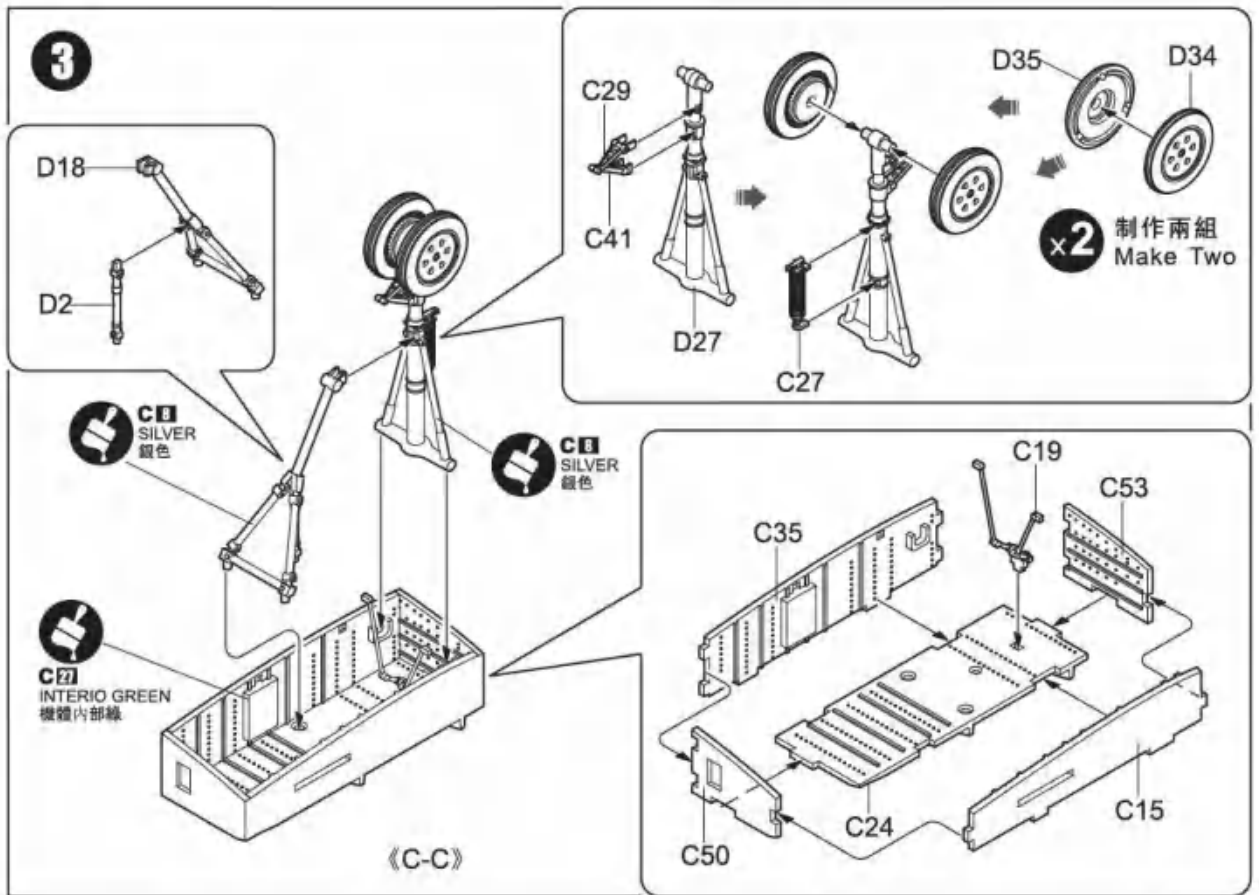
Decal B
水貼紙B



PE
蝕刻片



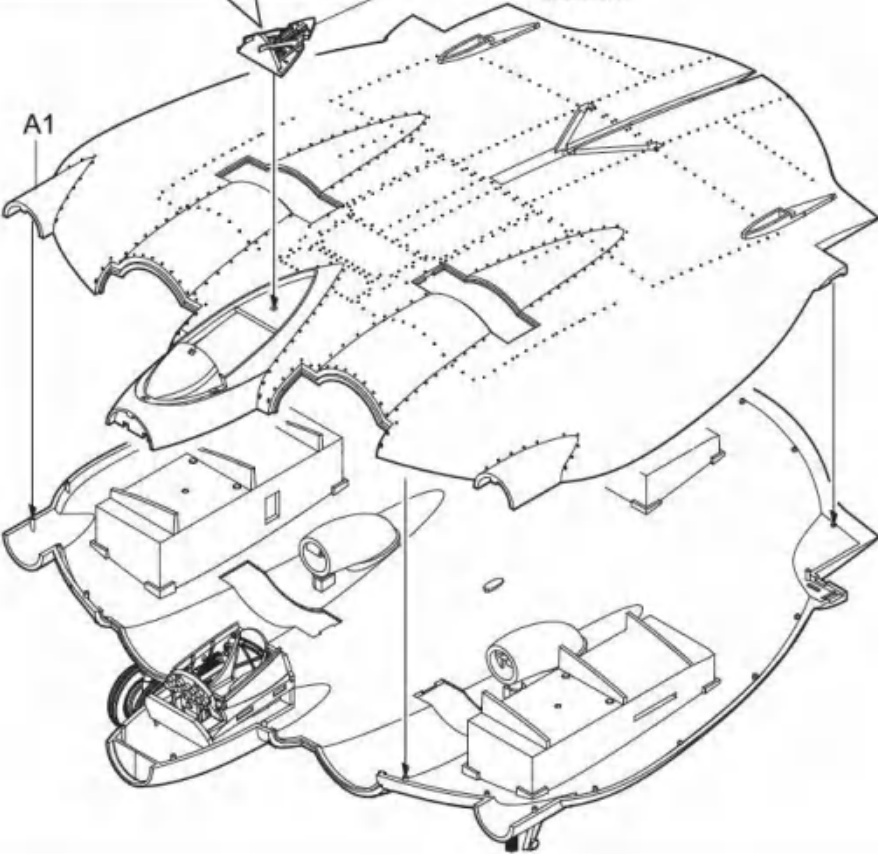




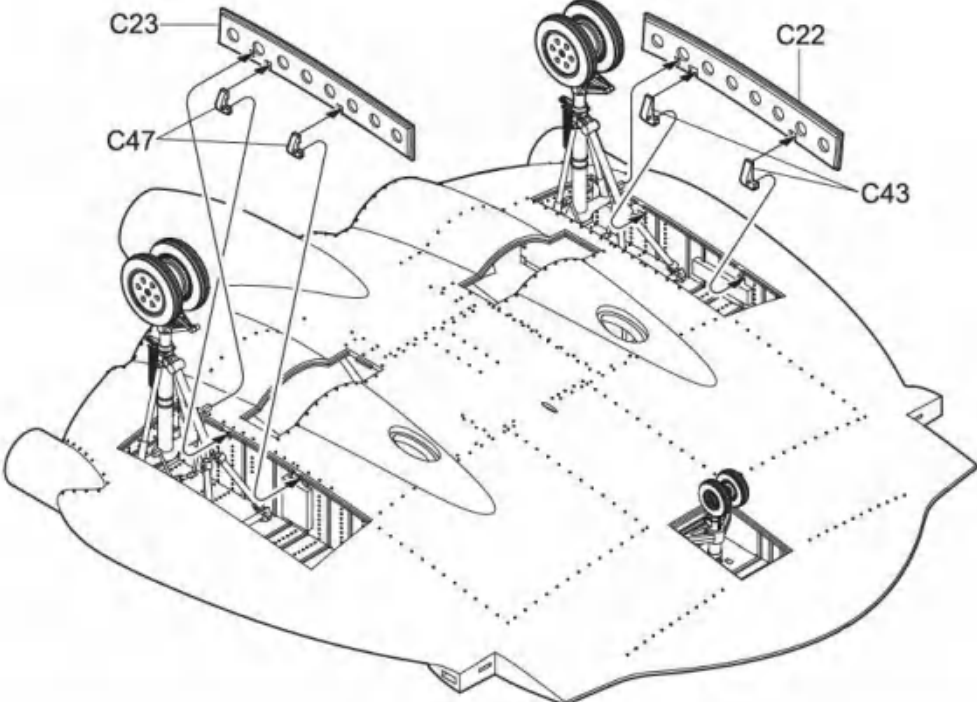
5

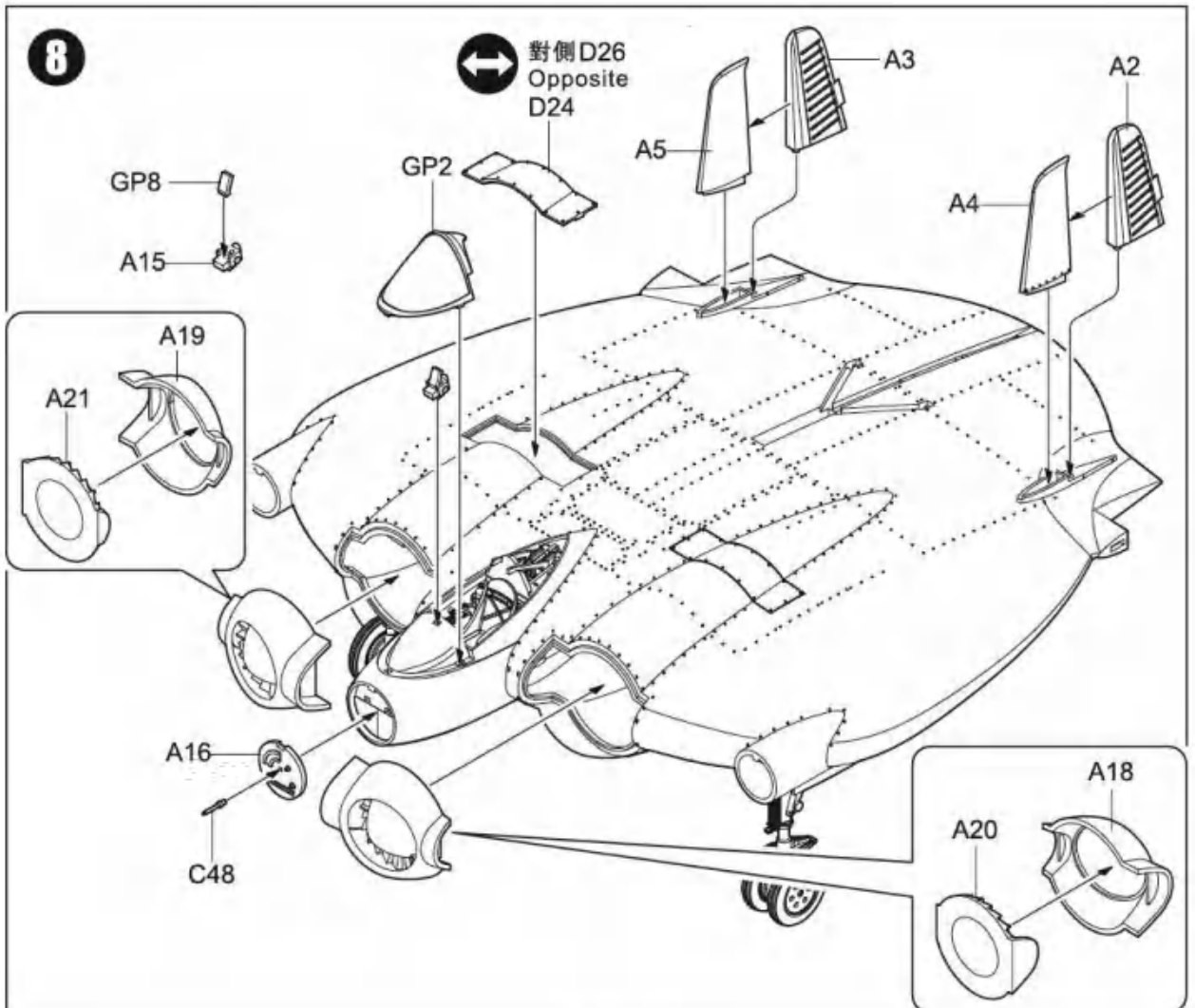
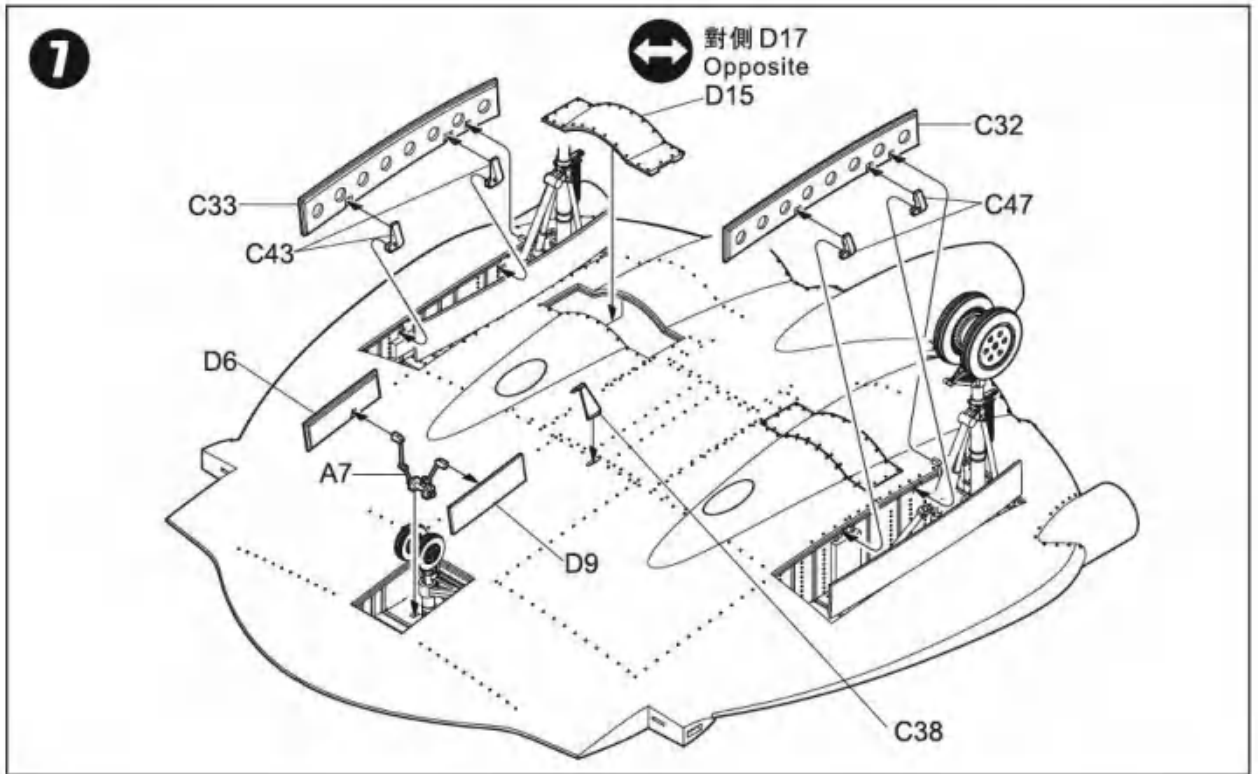


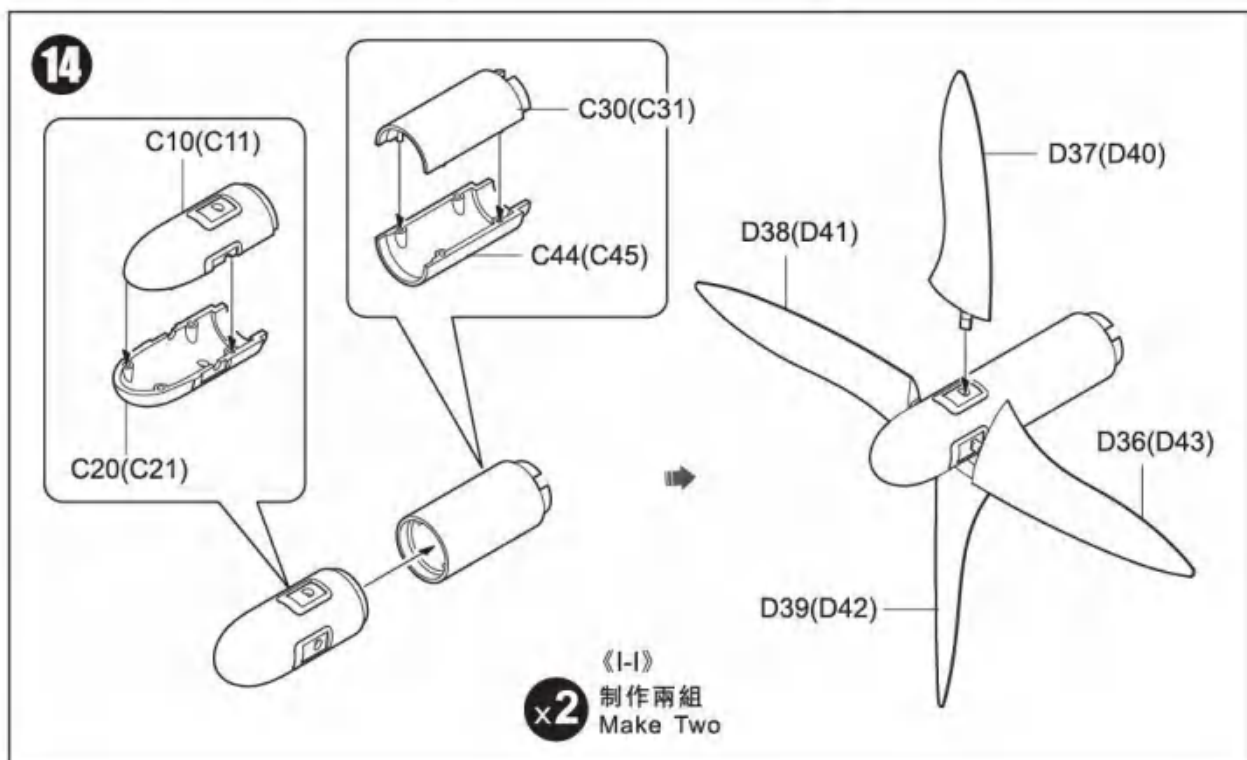
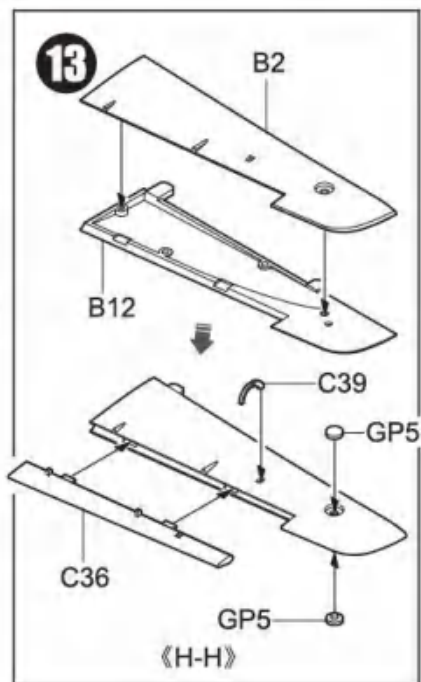
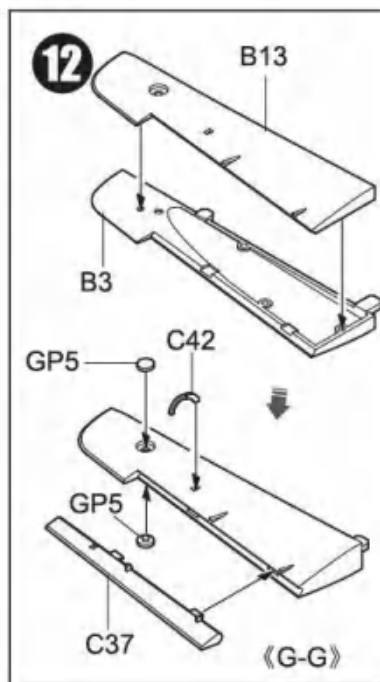
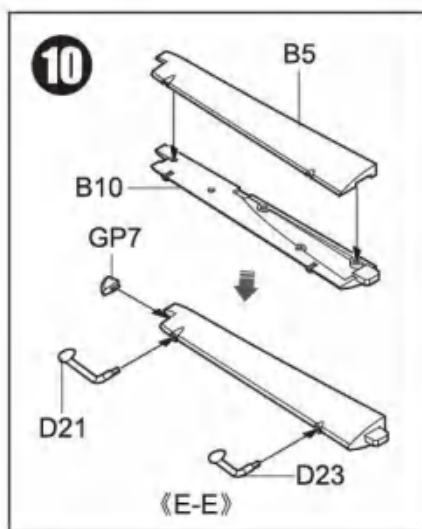
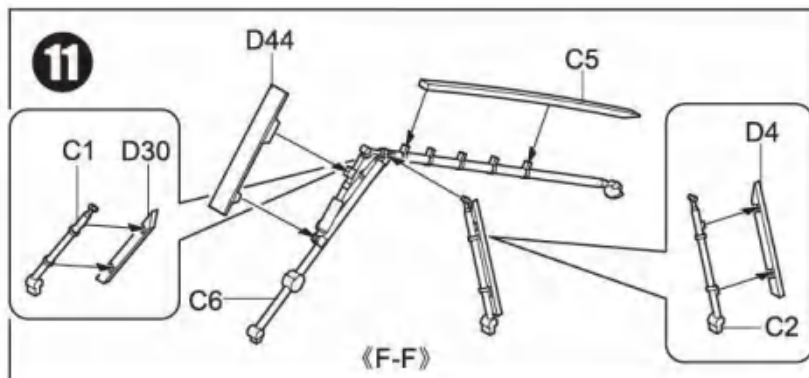
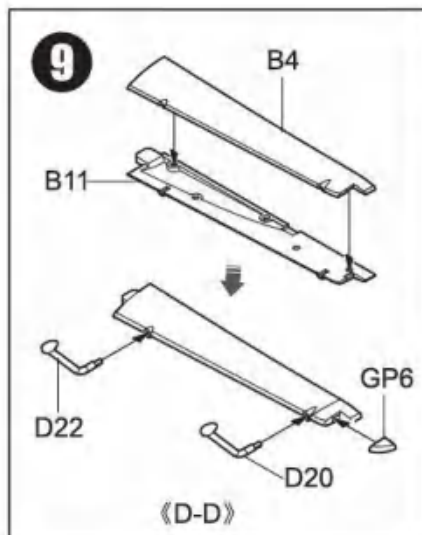
C17
INTERIO GREEN
機體內部緑



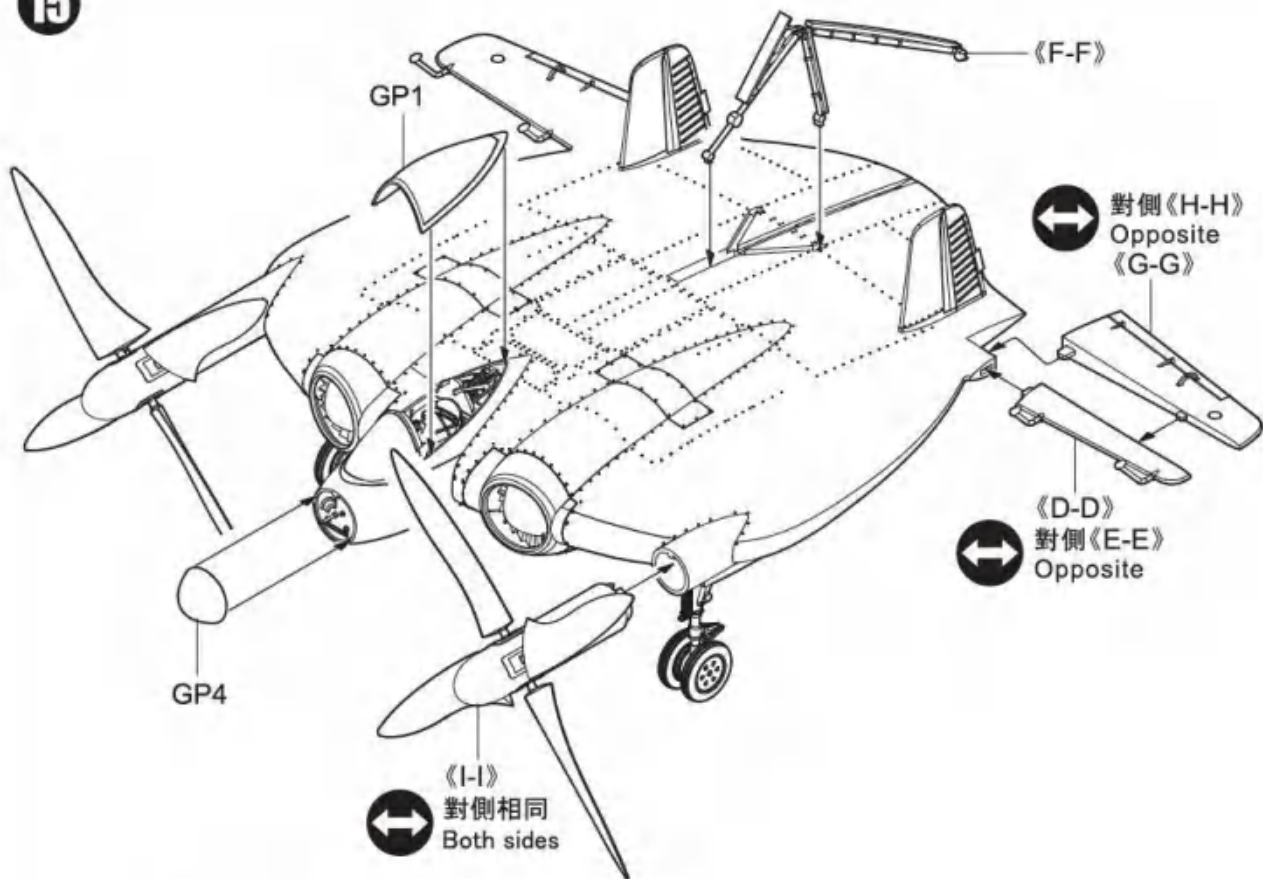
6



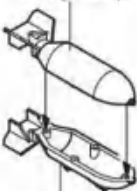




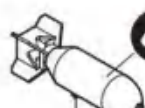
15



B14(A22)



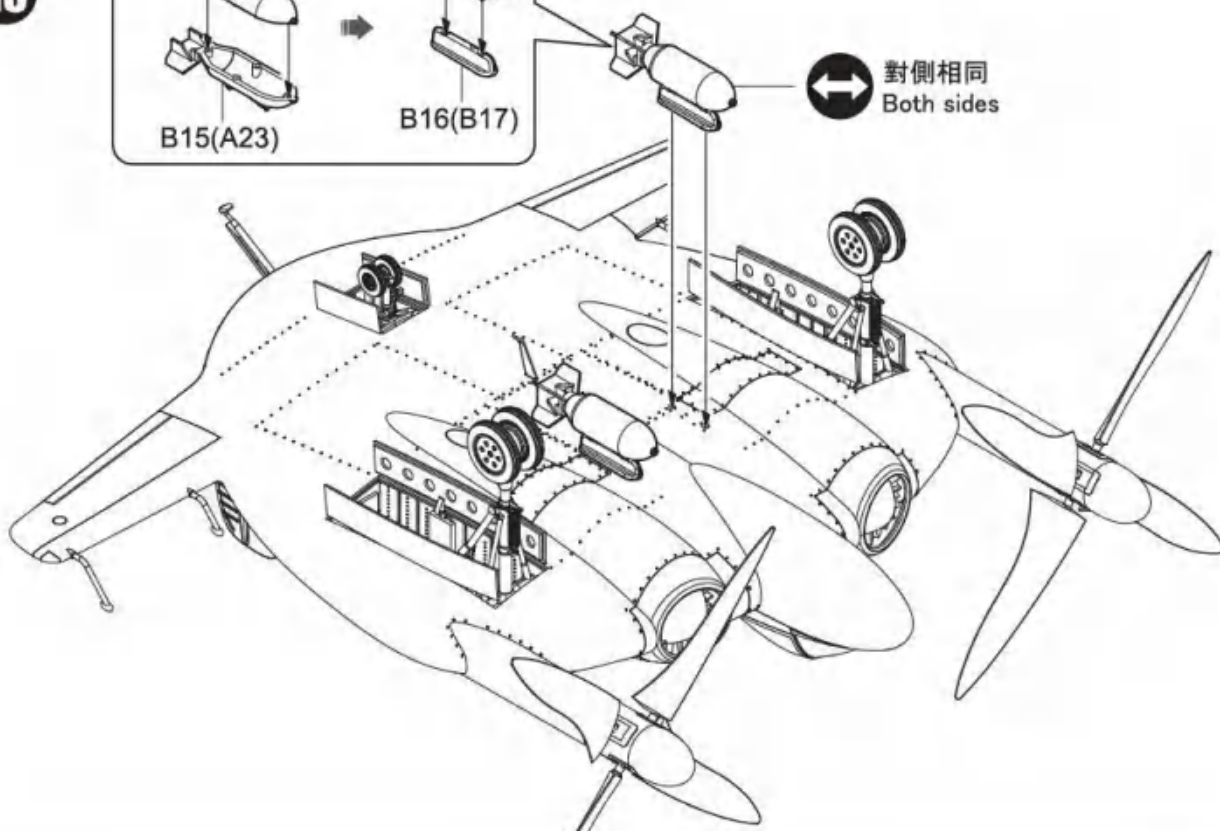
B15(A23)



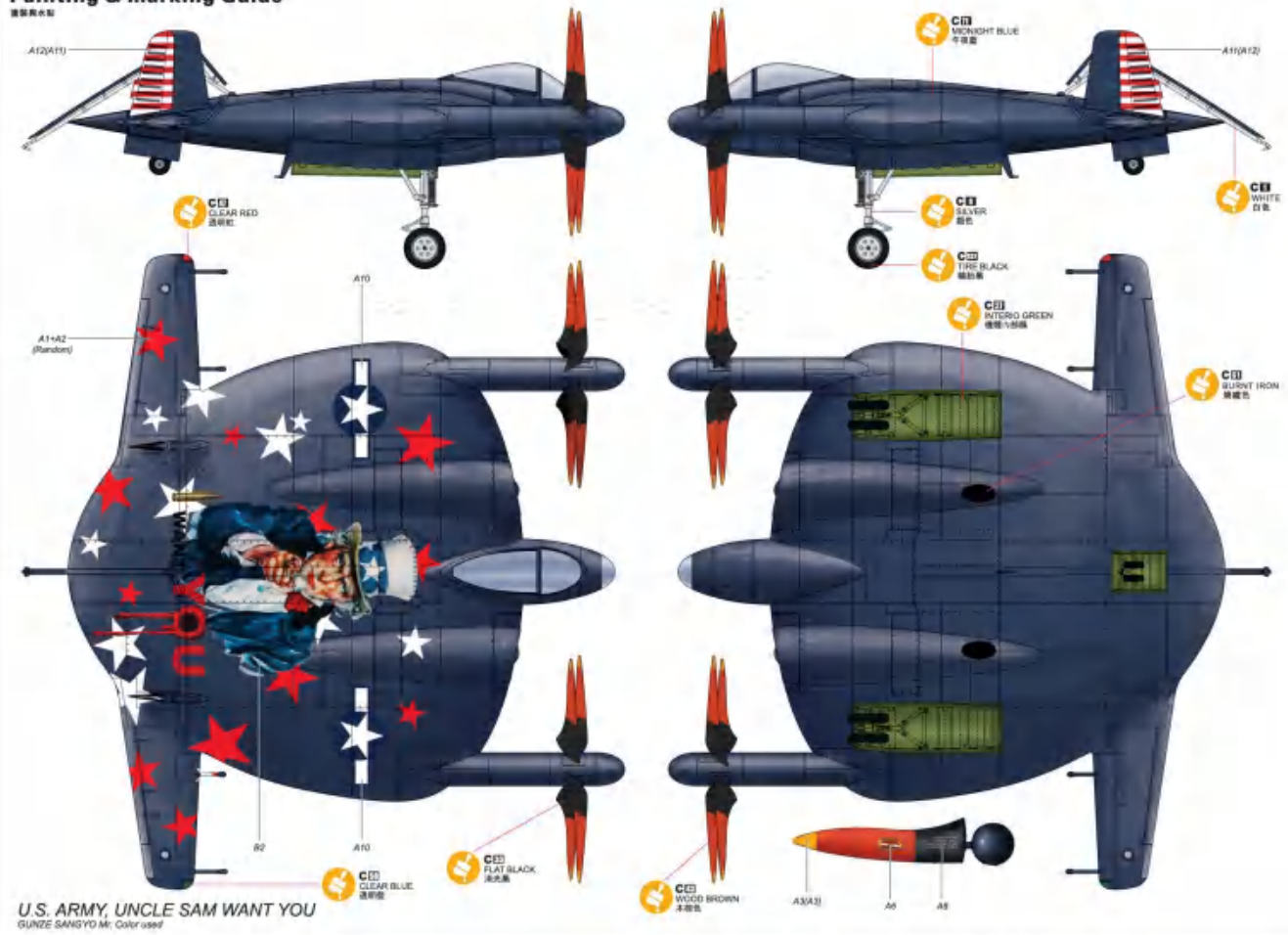
B16(B17)

C OLIVE GREEN
橄欖綠

16



Painting & marking Guide



Painting & marking Guide

U.S. NAVY, MIDNIGHT BLUE Version
DUNZE SANDYD Mr. Color used

Color Callouts:

- C03 CLEAR RED 透明紅
- C03 MIDNIGHT BLUE 午夜藍
- C03 SILVER 銀色
- C03 TIRE BLACK 輪胎黑
- C03 BRIGHT GREEN 鮮艷綠
- C03 BURNT IRON 燒鐵色
- C03 CLEAR BLUE 透明藍
- C03 FLAT BLACK 平光黑
- C03 BLOOD BROWN 血棕色

Part Numbers: A7, A4, A5, A10, A13, A14, A15, A3(A), A6, A8, B7(B)