

Instruction

模型拼裝說明書

1:48 Scale



Mig-25 PU Foxbat



1:48 Mig-25 PU “狐蝠”

ZM80136

READ BEFORE ASSEMBLY

在組合您的模型之前，請充分閱讀本冊說明書。組合模型您需要如下物品（需另購）：模型膠水；一把模型鉗或一把用于將零件從框架上切下的模型筆刀。筆刀同樣可以用來修整零件的合模綫。祝您制作愉快！

Before assembling your model kit, read through these instructions carefully. To assemble this kit, you will need Plastic glue (not include). A pair of side cutter or a sharp modelling knife is required for removing parts from the frame. Plastic mould lines can be removed with the modelling knife.



請注意
Special instructions



隨愛好選擇
Optional



組合完成
Finished Assembly



彎曲
Bend



制作兩組
Make Two



鉗孔
Make Hole



塗色
Painting



無需膠粘
Do Not Cement

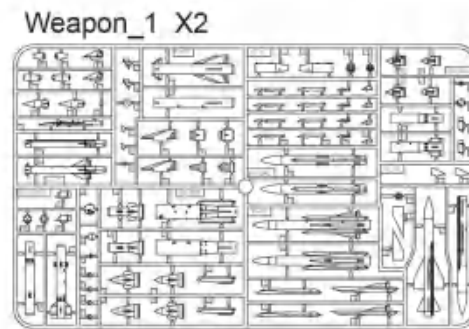
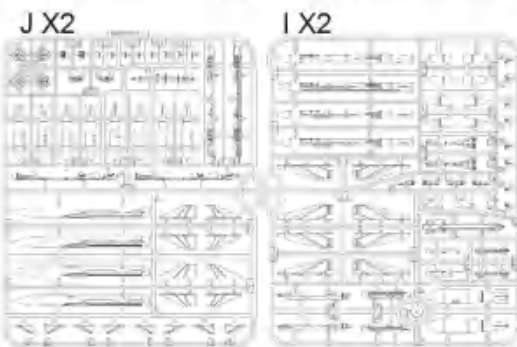
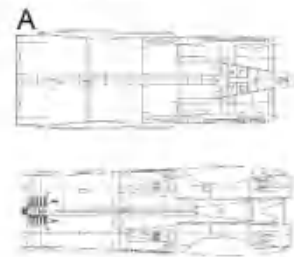
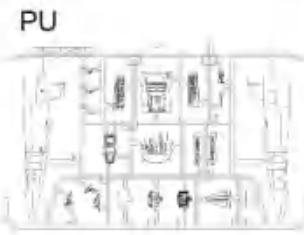
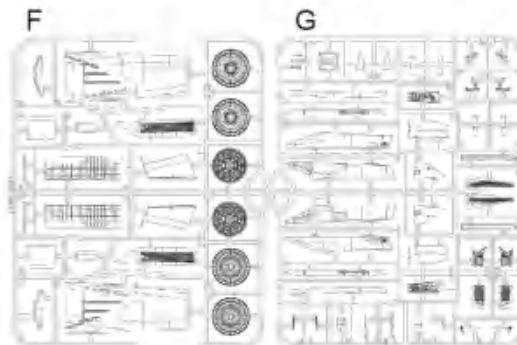
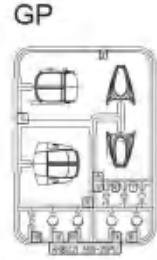
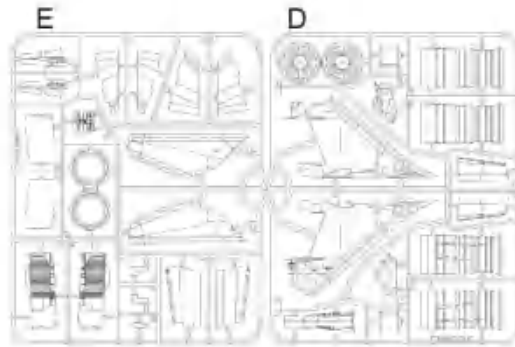
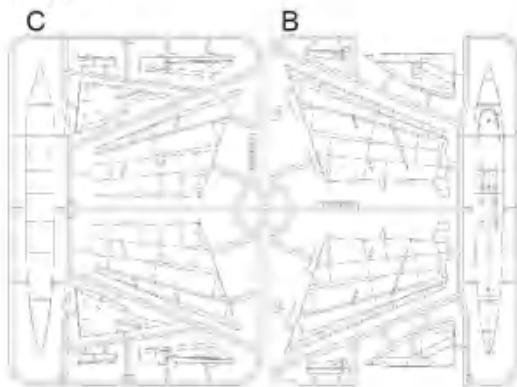


切除
Cut



對側
Opposite

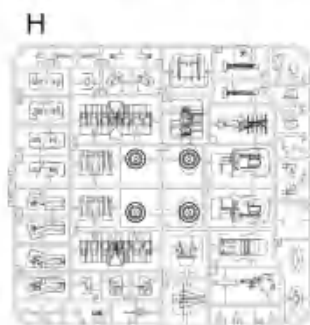
部品图 Part



《蚀刻片》
PE



《树脂起落架》
RESIN PART



《水贴纸A》
Decal A

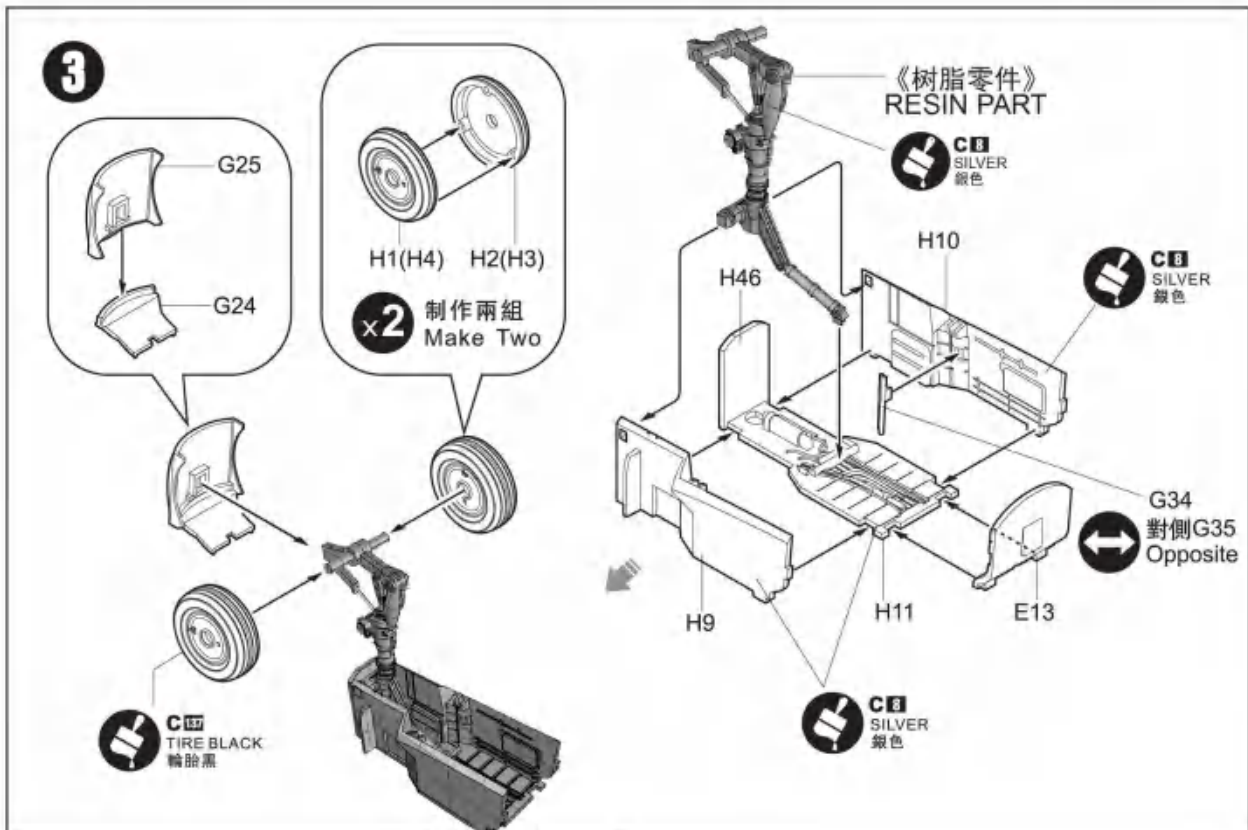
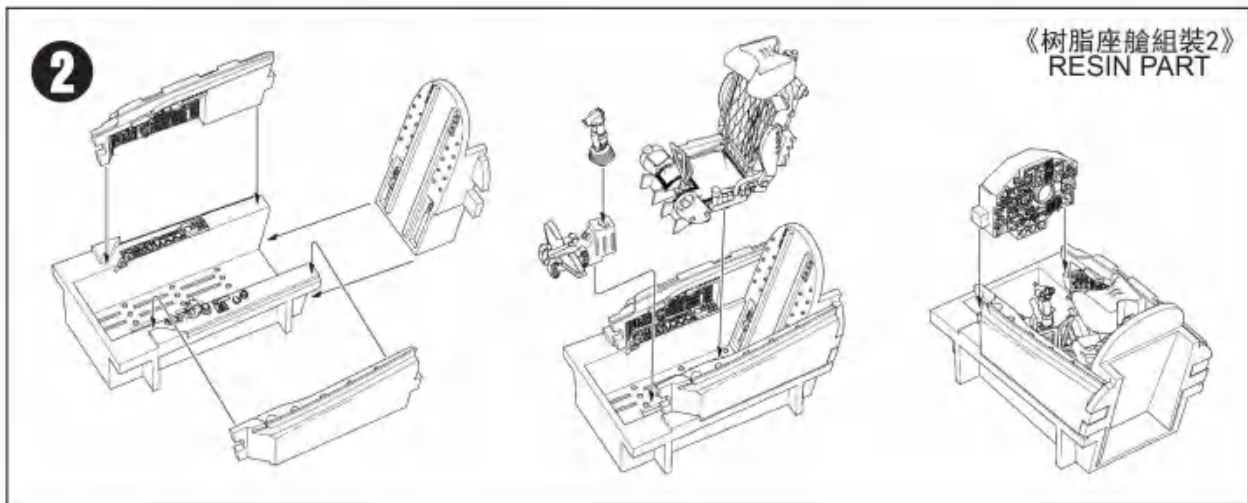
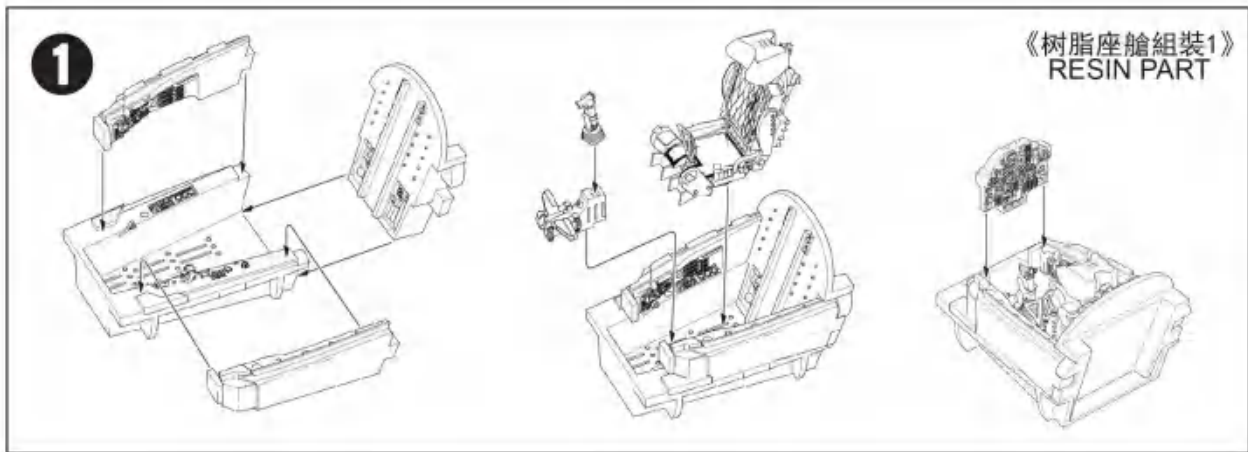


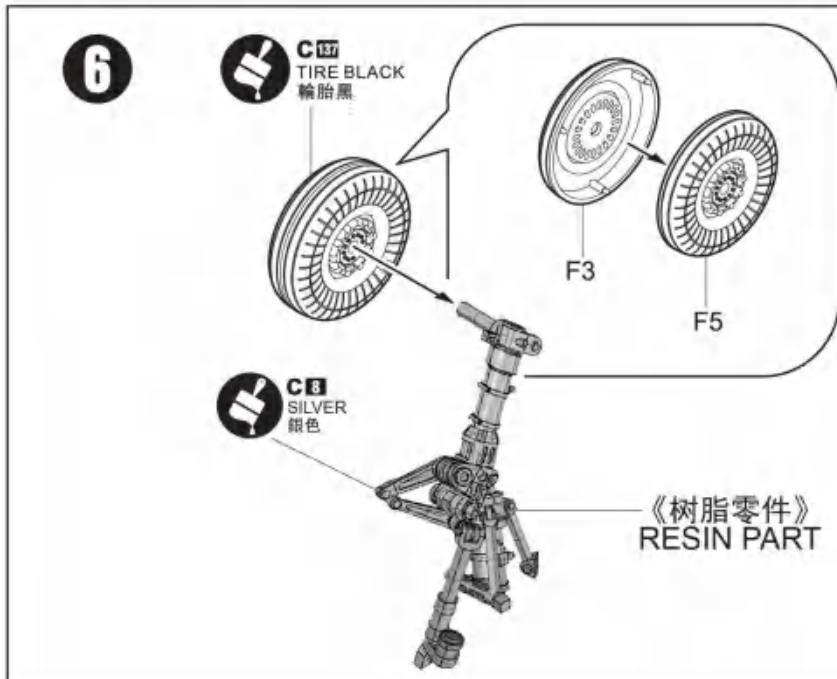
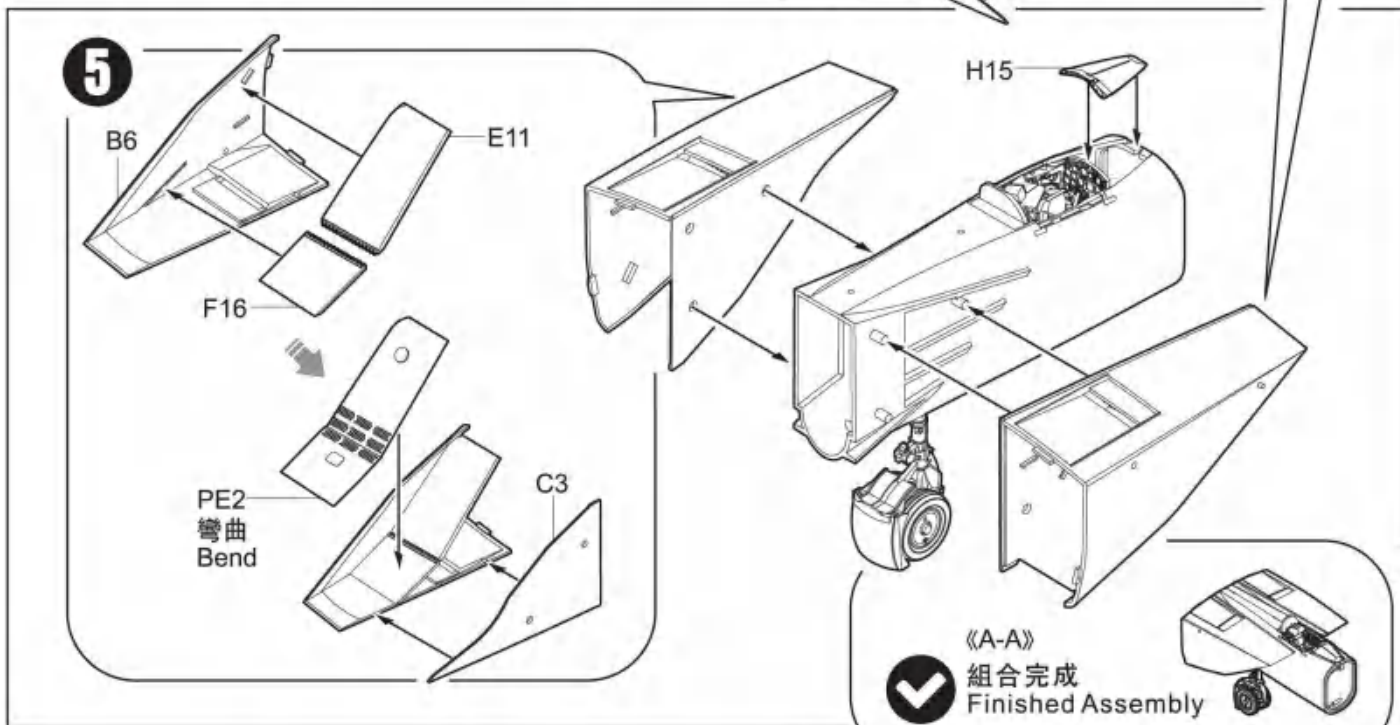
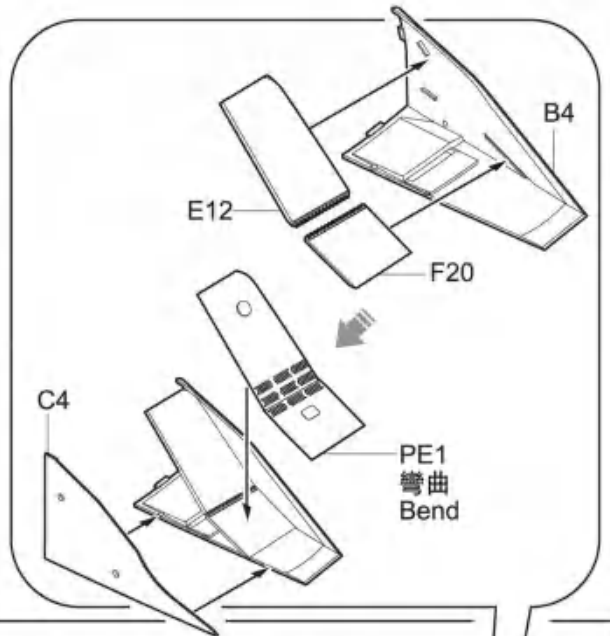
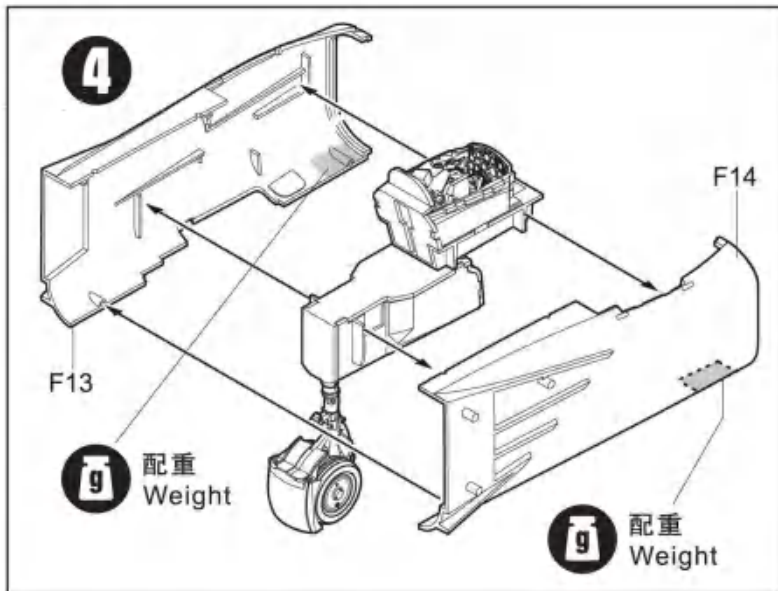
《水贴纸B》
Decal B



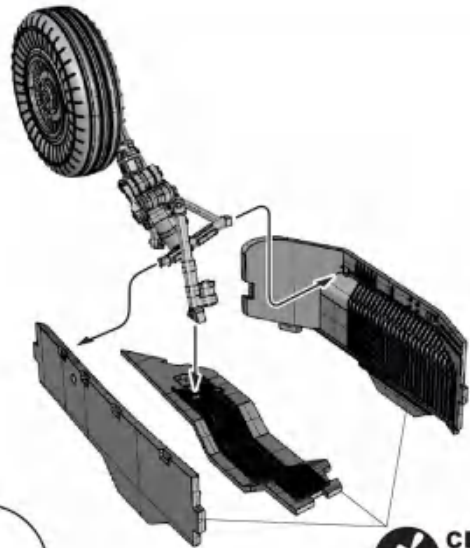
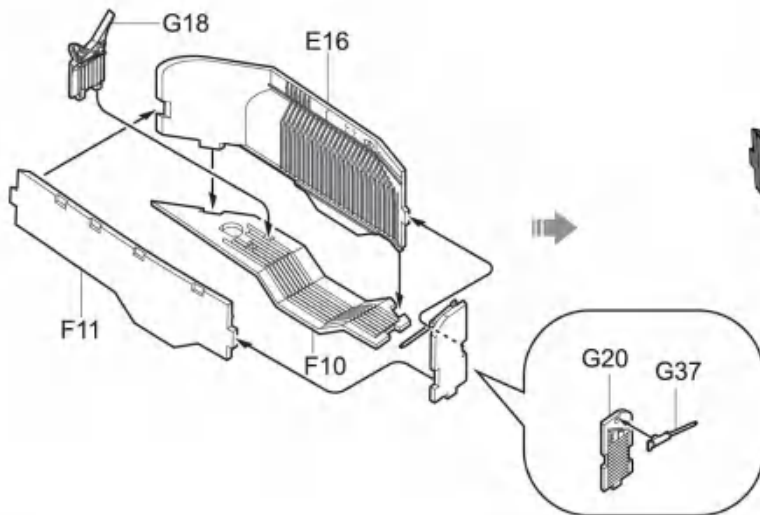
《树脂座舱》
RESIN PART







7



C8
SILVER
銀色

組合完成
Finished Assembly

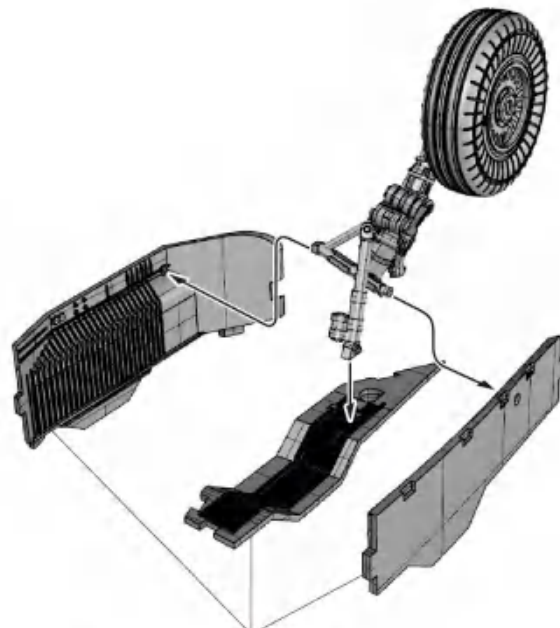
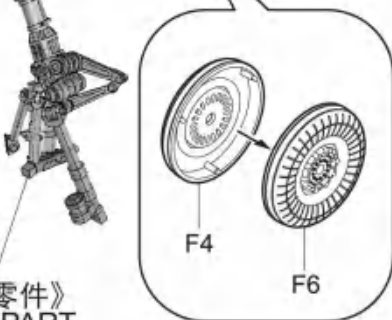
《B-B》

8

C137
TIRE BLACK
輪胎黑

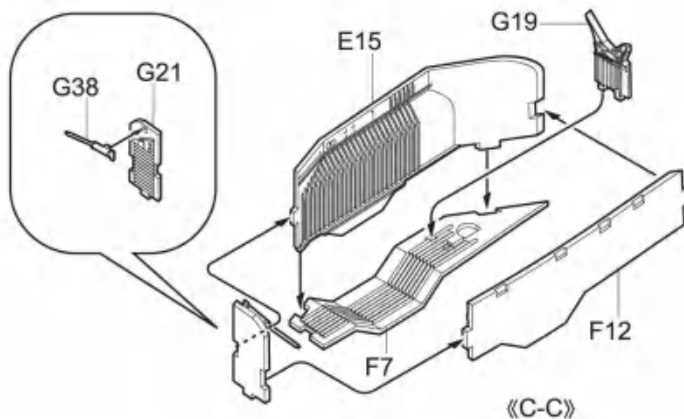
C8
SILVER
銀色

《树脂零件》
RESIN PART

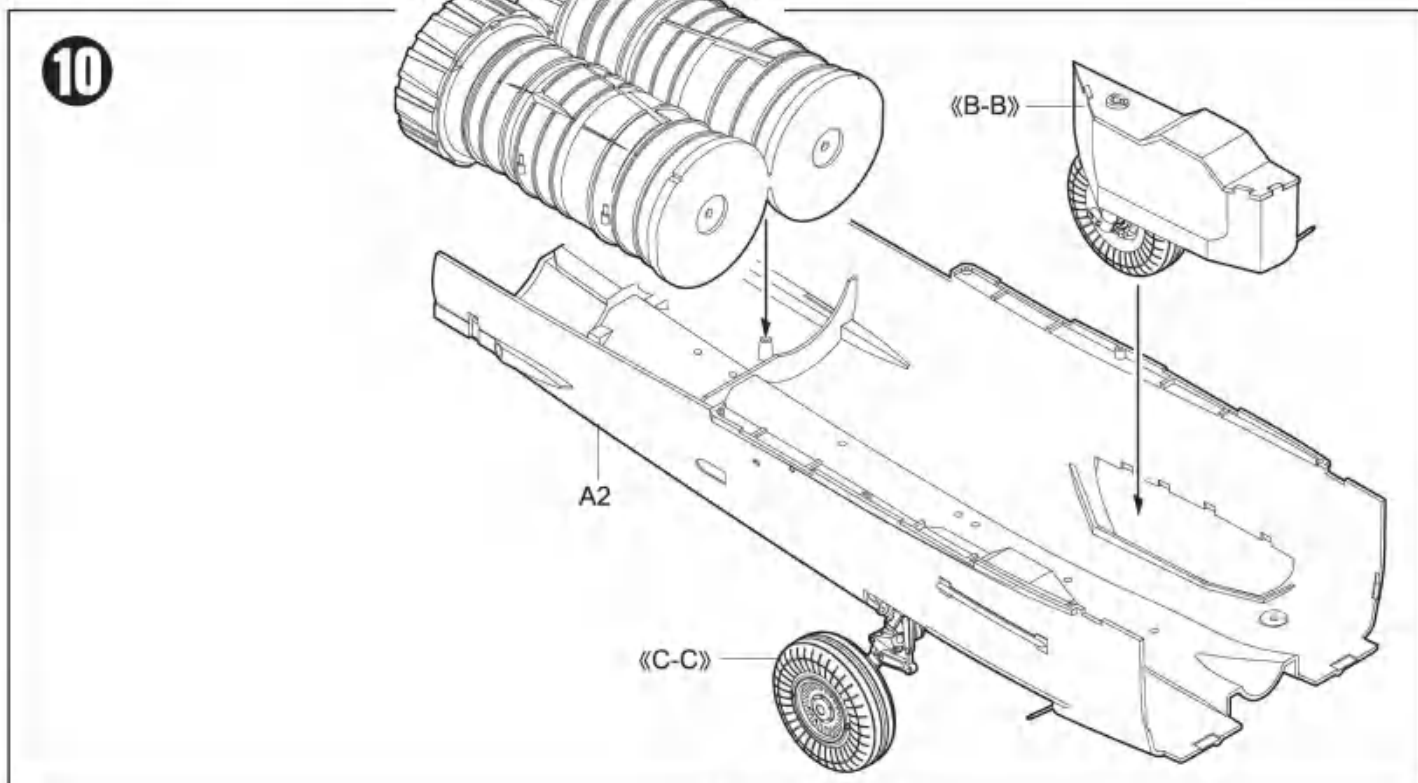
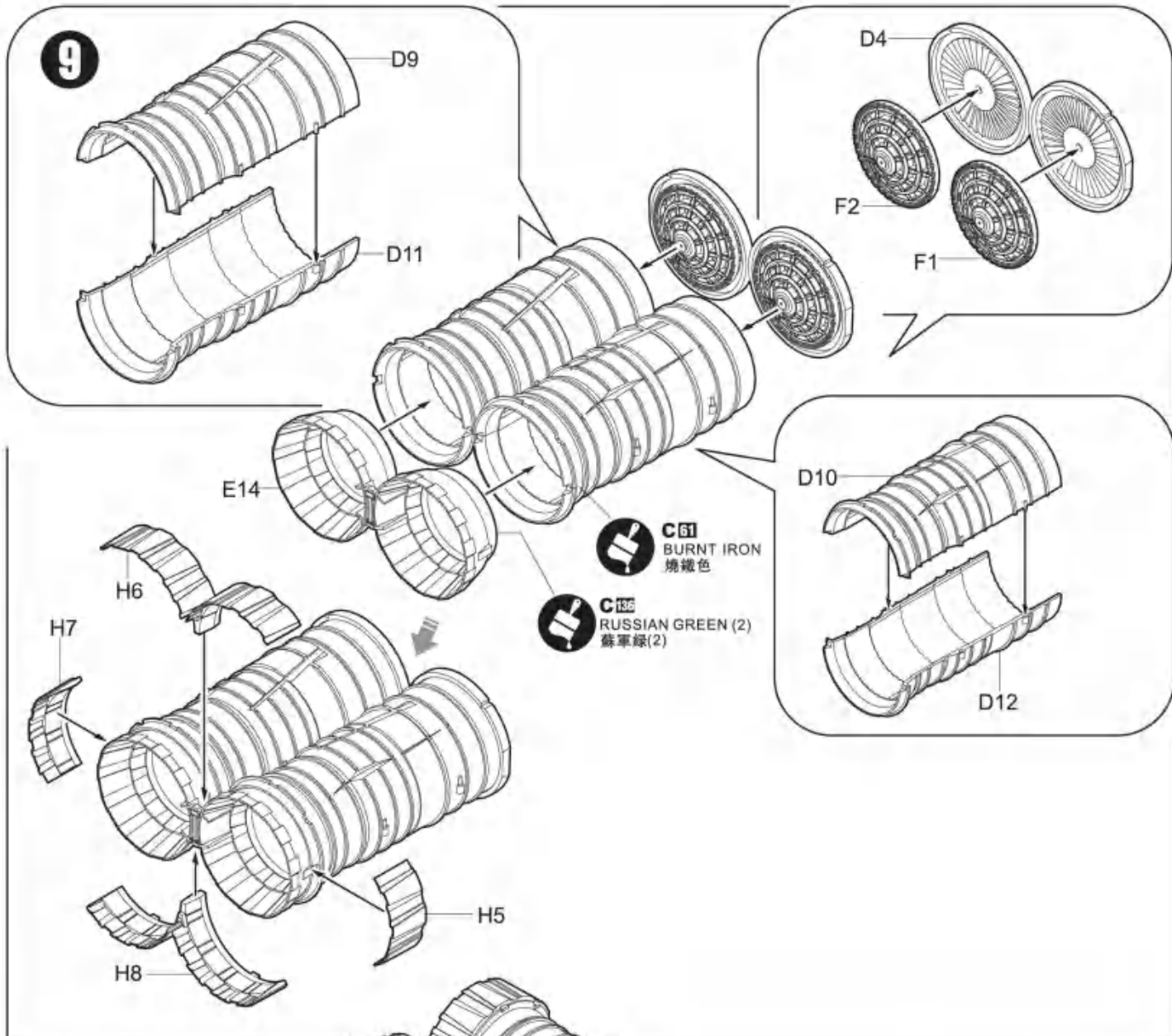


C8
SILVER
銀色

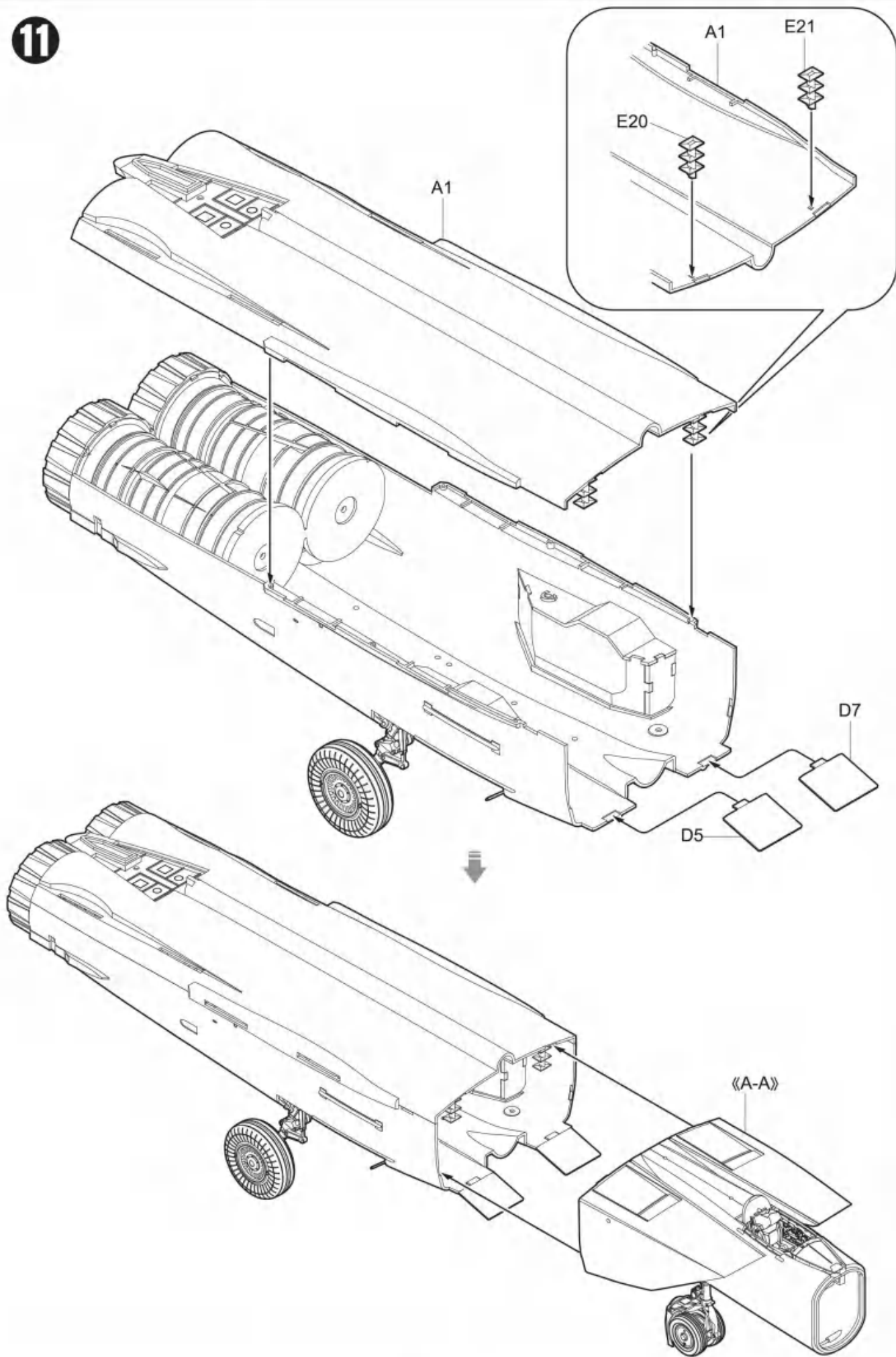
組合完成
Finished Assembly



《C-C》



11



12

C15
TIRE BLACK
輪胎黑 H25

對側 GP8
Opposite
GP7

H24

G36 H48 H47

E19

H17

C8
GOLDEN
金色

G16
對側 G17
Opposite

對側 H23
Opposite
H22

H20
對側 H21
Opposite

G13 G28

對側 G11+G29
Opposite

G10 G26

對側 G9+G27
Opposite

C5
對側 C7
Opposite

C8
SILVER
銀色

對側 H35
Opposite
H34

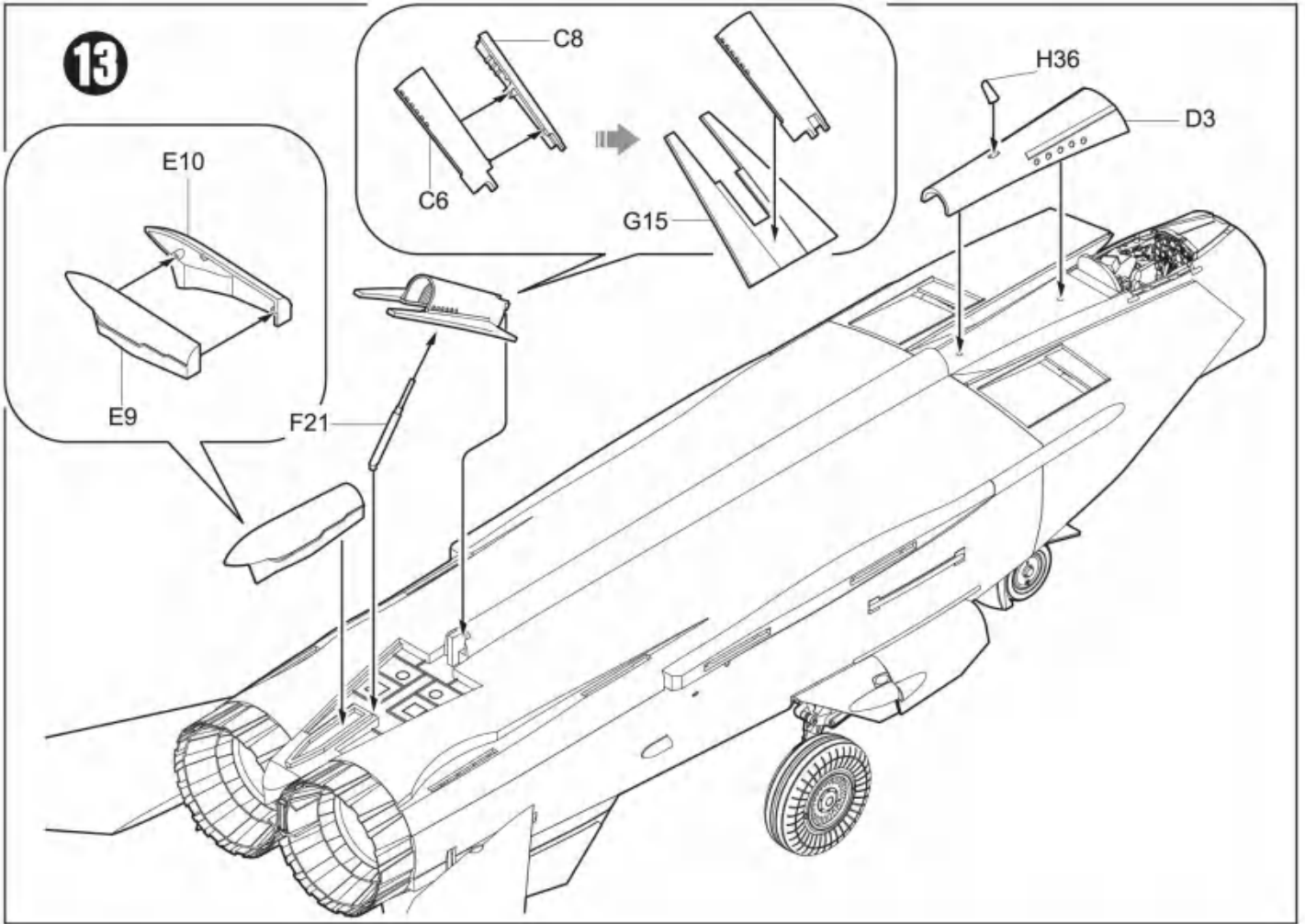
C8
SILVER
銀色

E18
對側 E17
Opposite

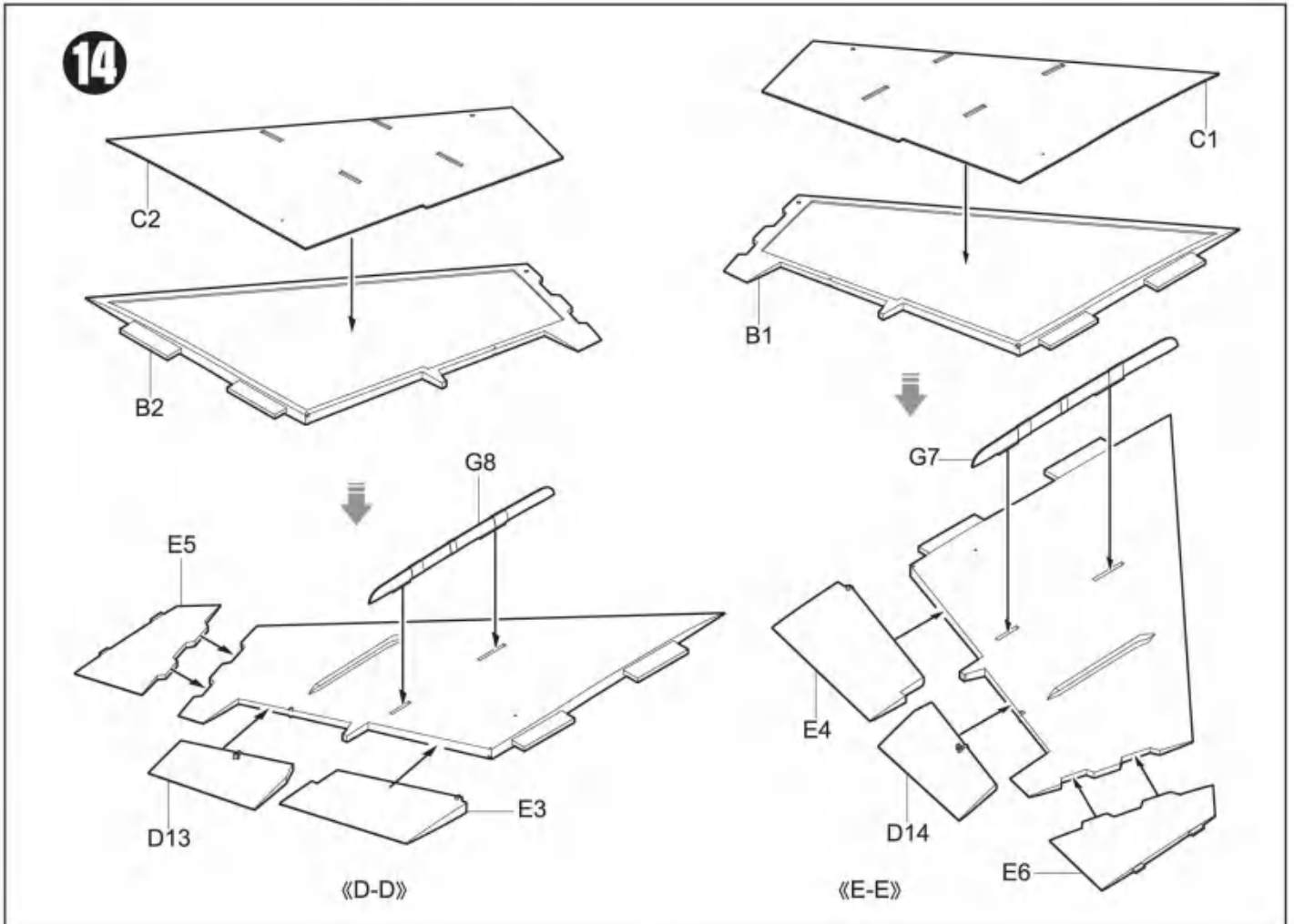
G39

E1
對側 E2
Opposite

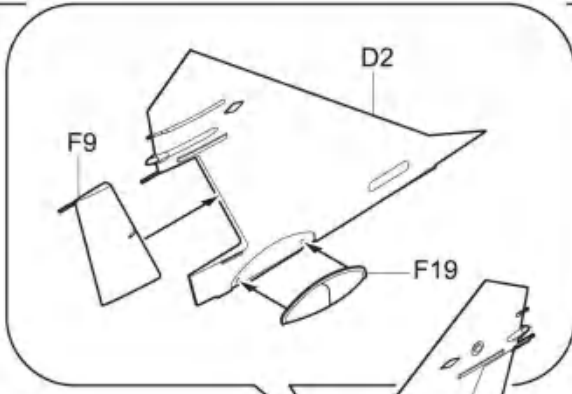
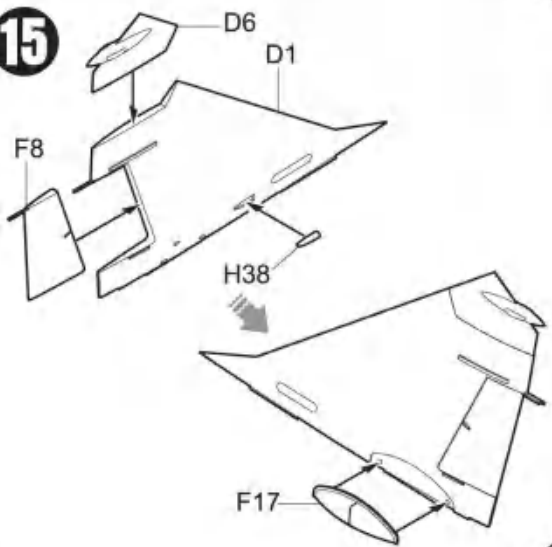
13



14

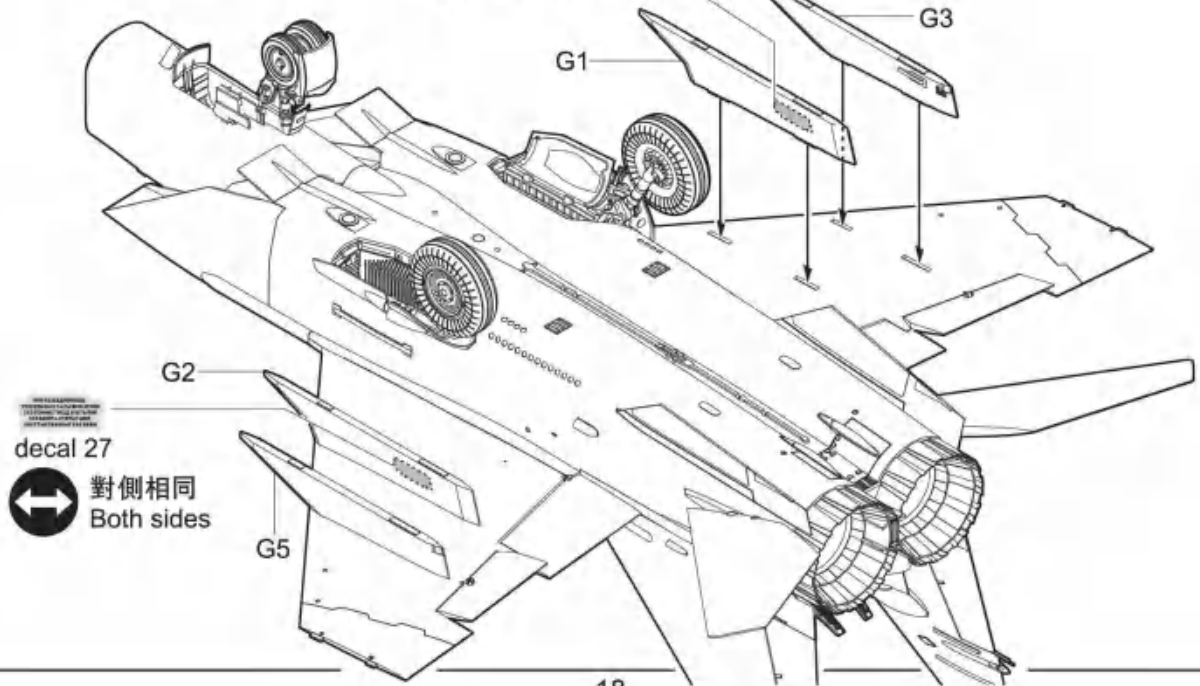


15



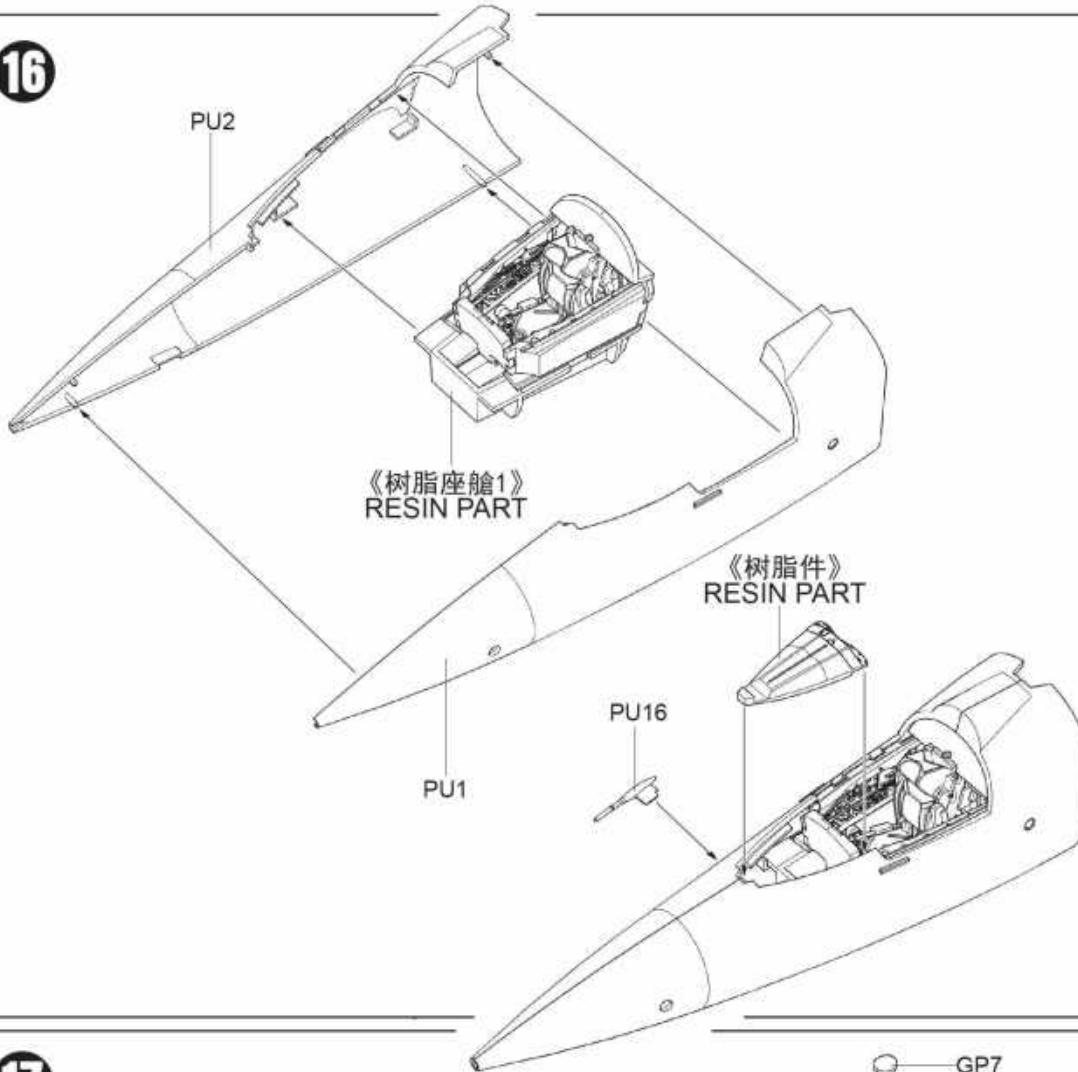
對側 F15
Opposite
F18

decals 27
對側相同
Both sides

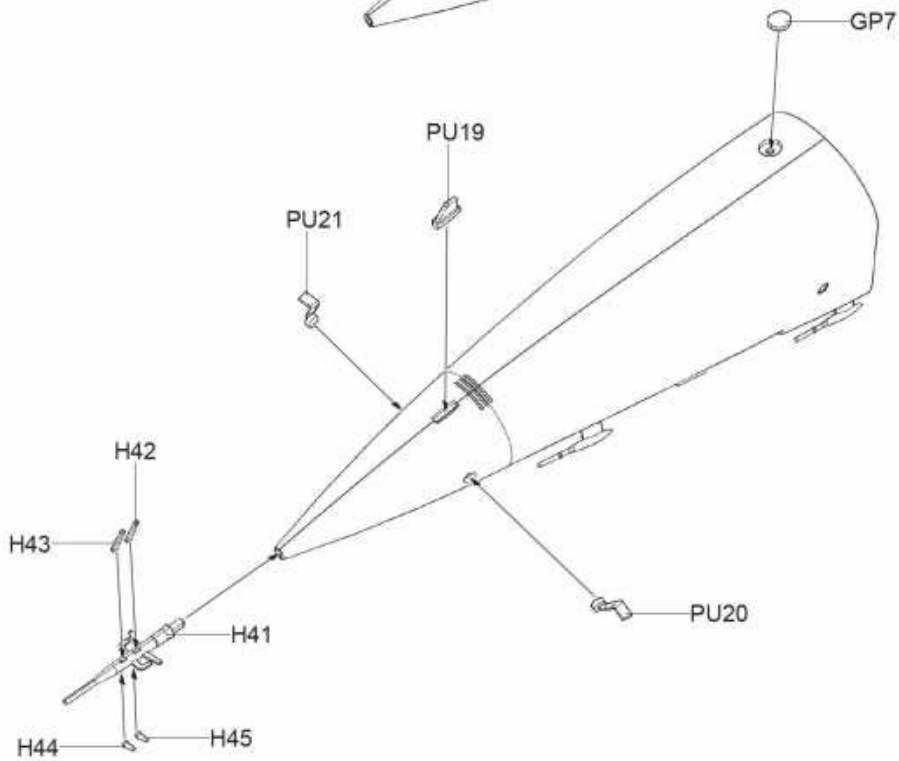


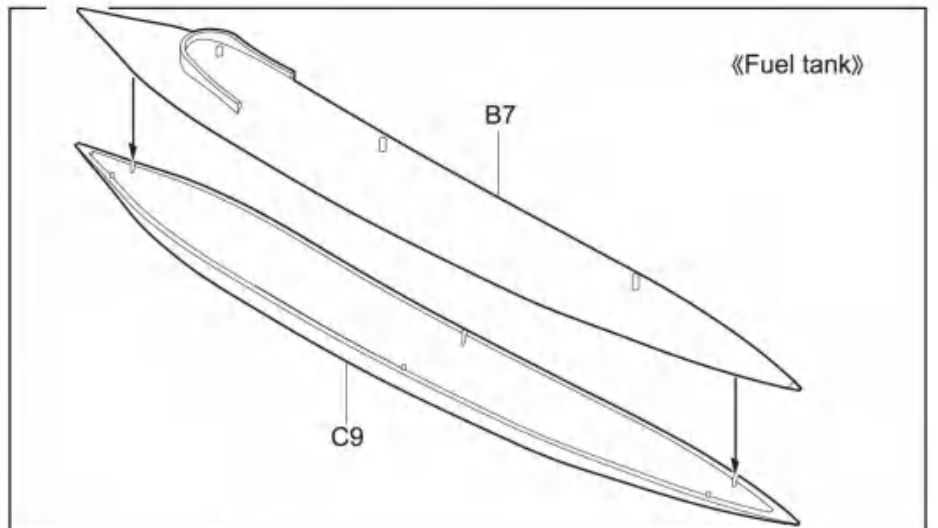
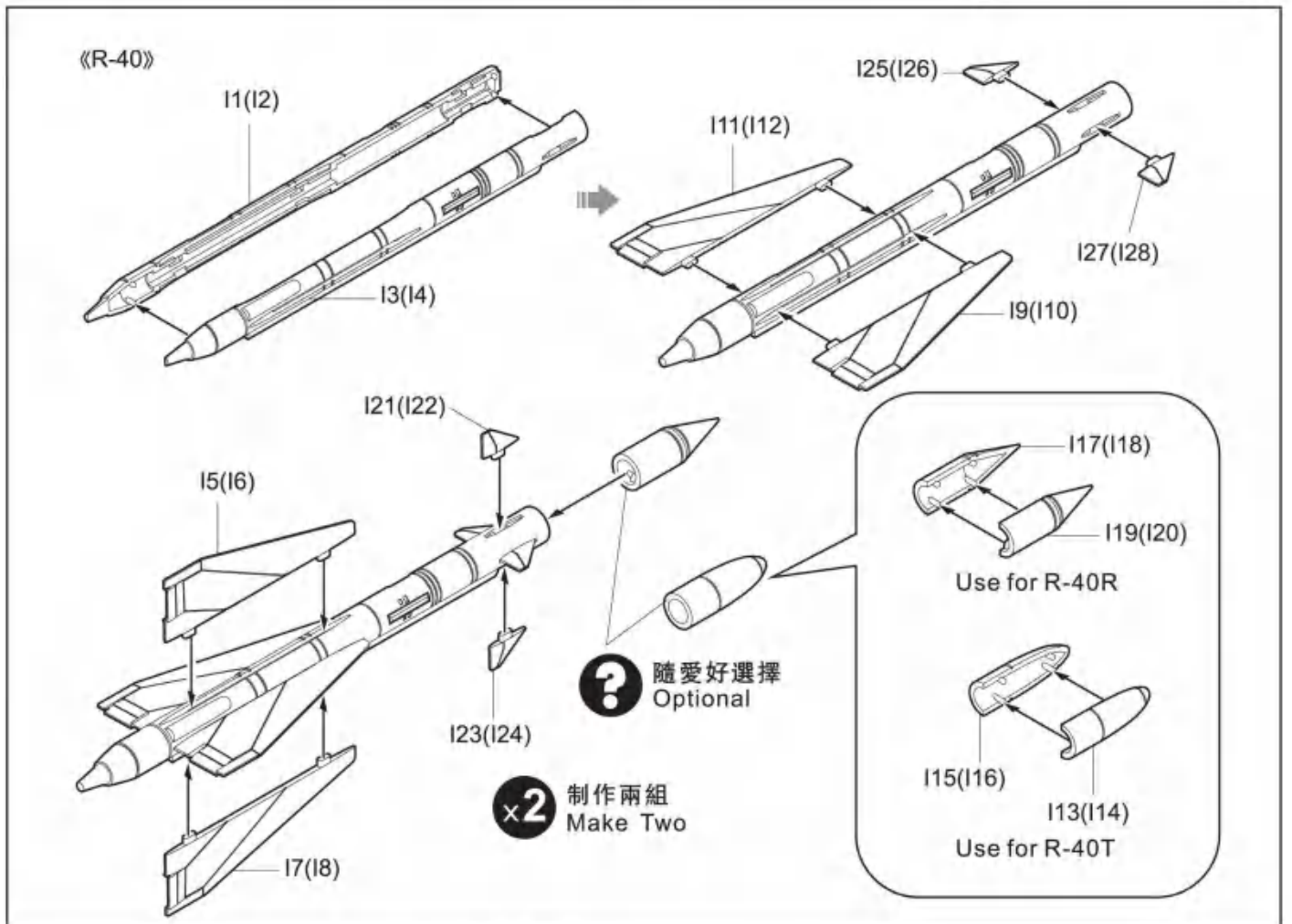
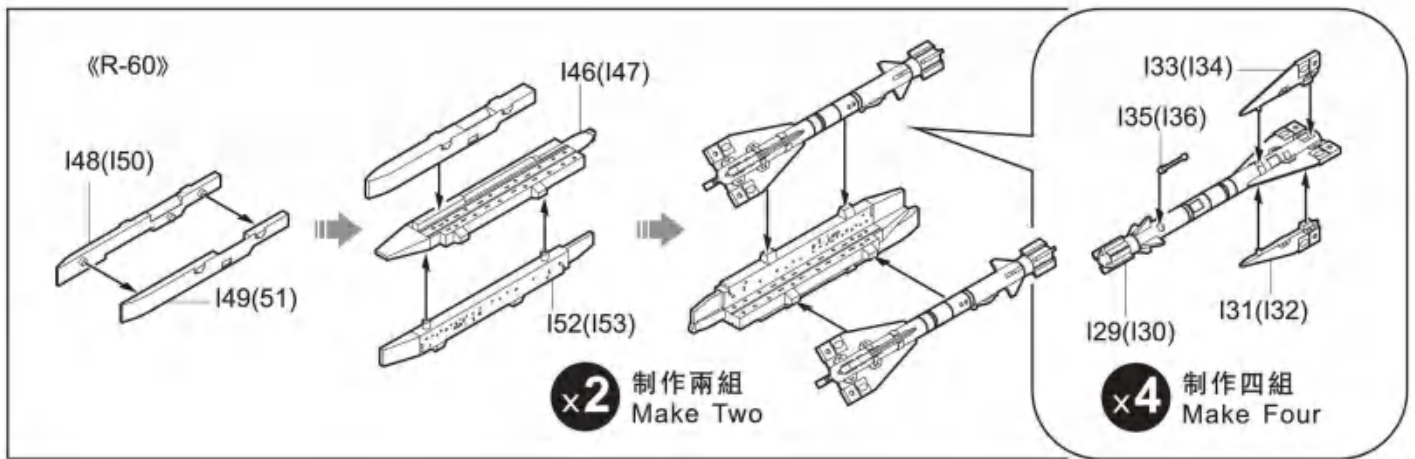
decals 27
對側相同
Both sides

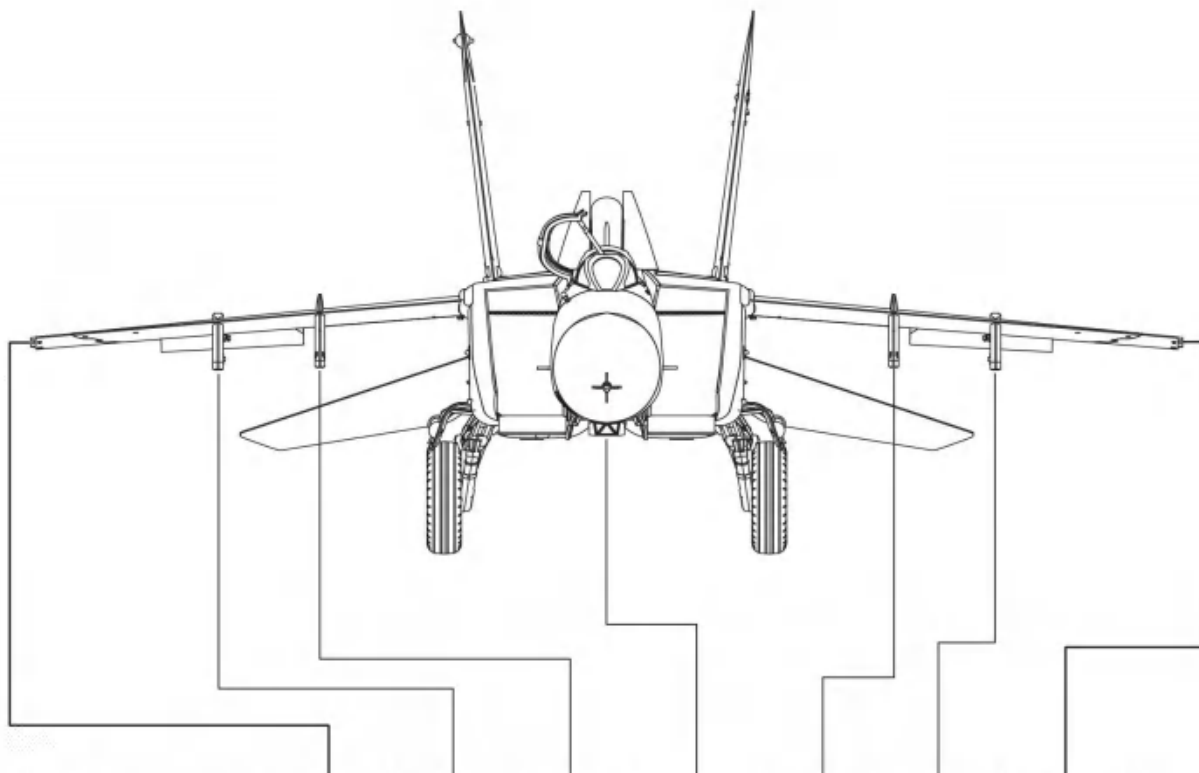
16



17

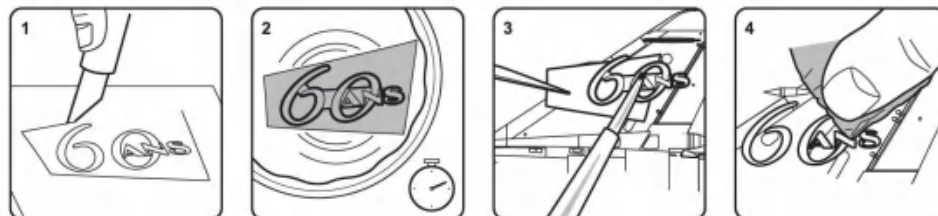




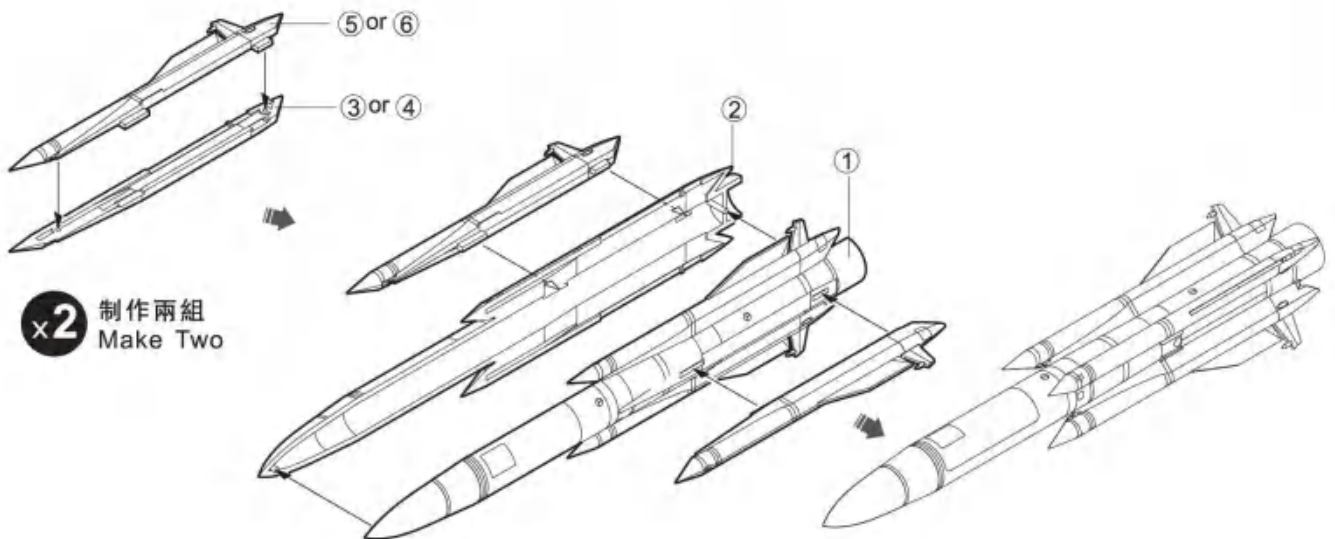


Sta.No.	1	2	3	4	5	6	7
«EW pod»	●						●
«R-60»		●●				●●	
«R-40T»			●		●		
«R-40R»			●		●		
«Fuel tank»				●			
«FAB-1500»			●		●		
«FAB-500»			●●	●●●●	●●		

DECAL APPLICATION

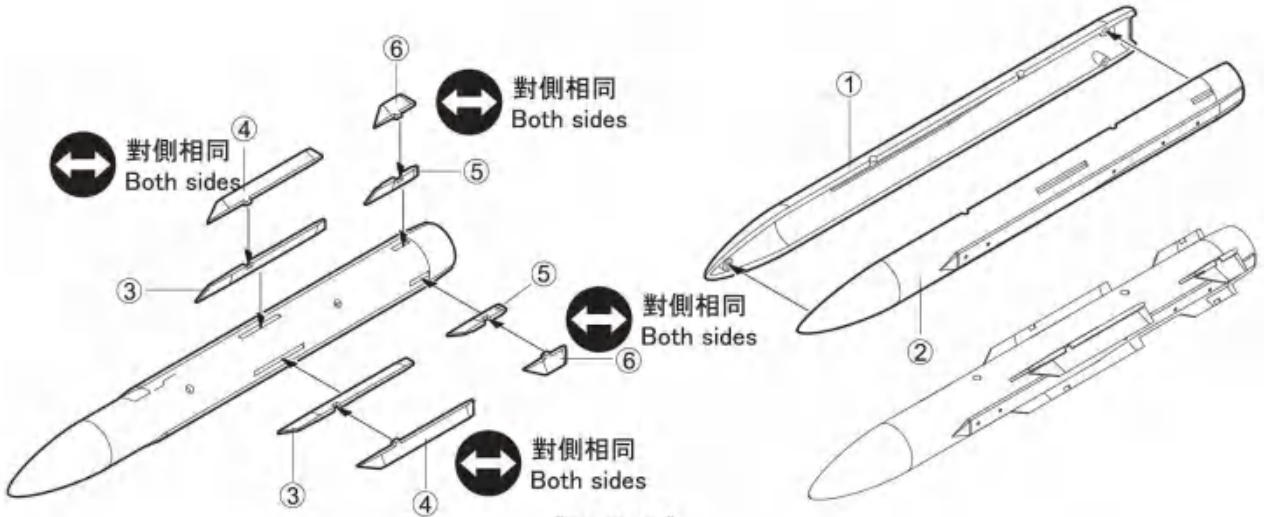


1. Cut off decal from transfer sheet.
2. Dip the decal in water for about 10 seconds (may take more seconds if in low temperature), and place on a clean cloth.
3. Hold the backing paper edge and slide decal onto the model. Then move decal into position by wetting decal with brush or finger.
4. Press decal gently down with a soft cloth until excess water and air bubbles are gone.

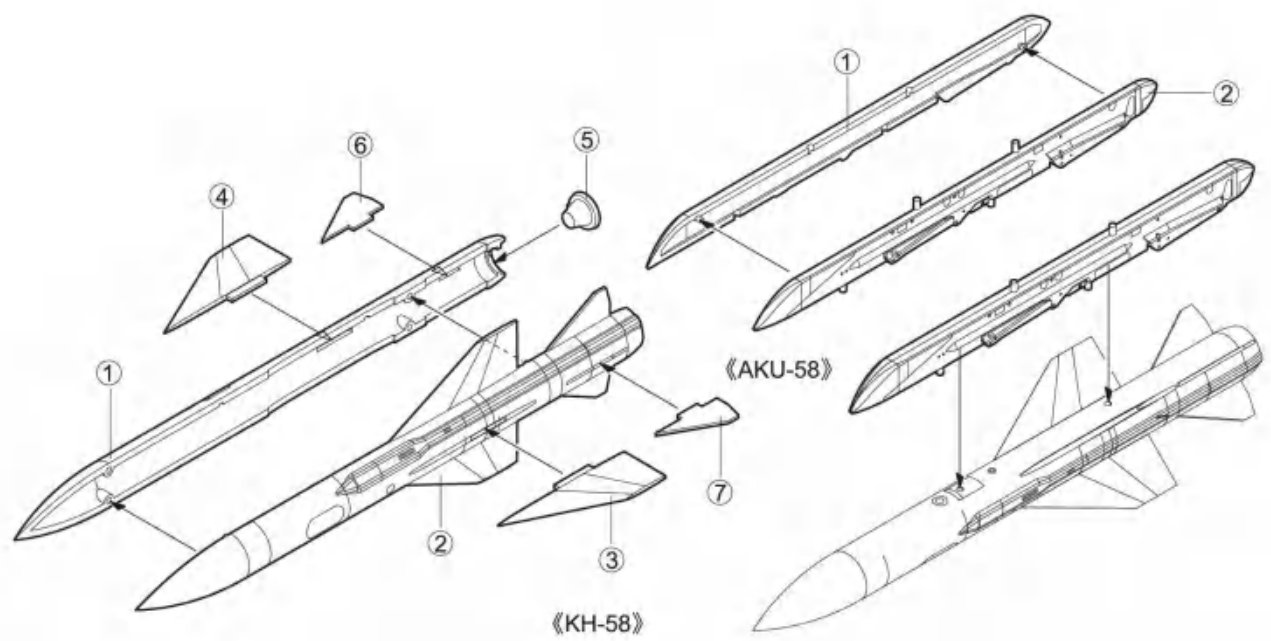


x2 制作兩組
Make Two

《KH-31》



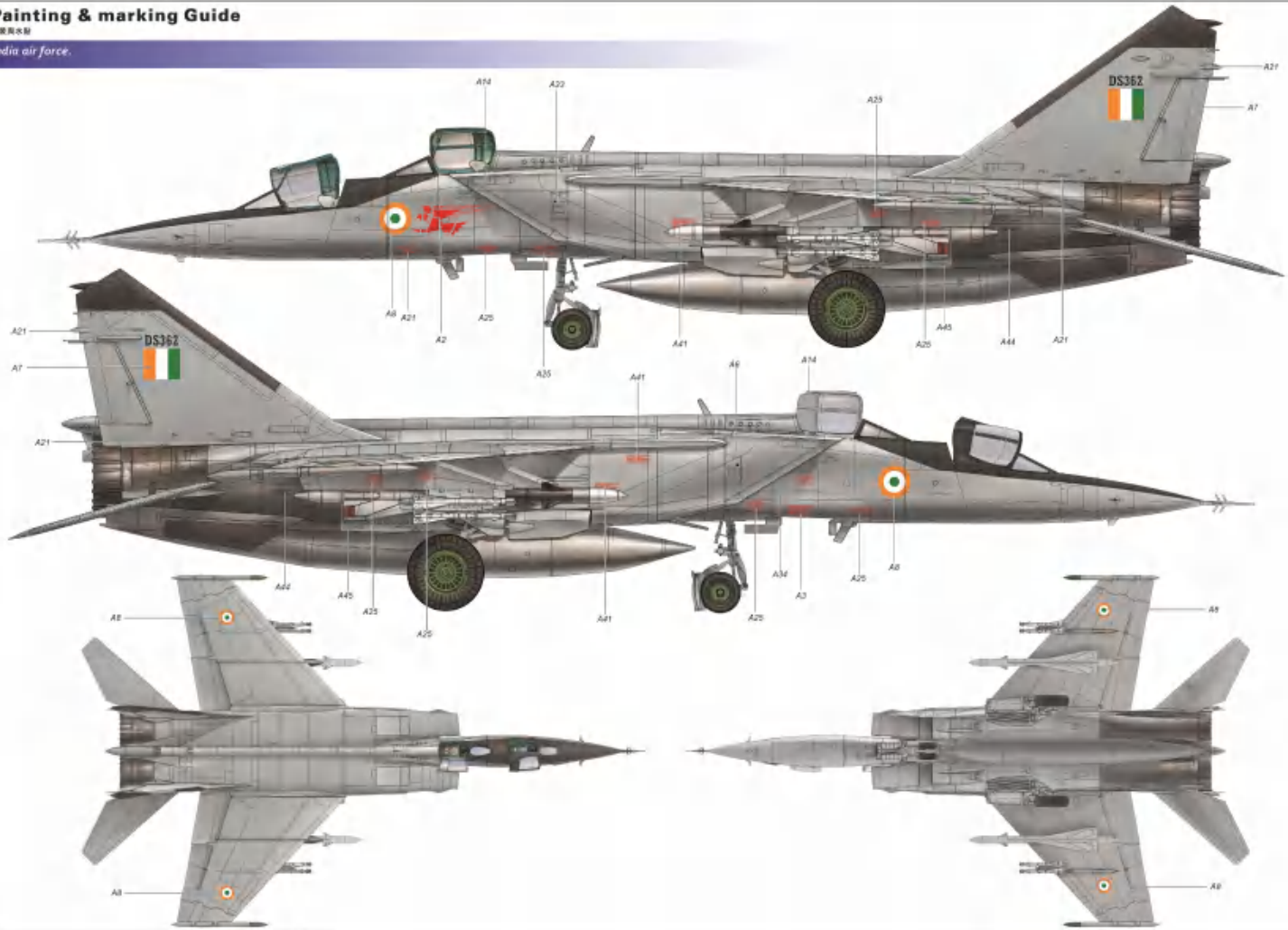
《KH-58ME》



《KH-58》

Painting & marking Guide

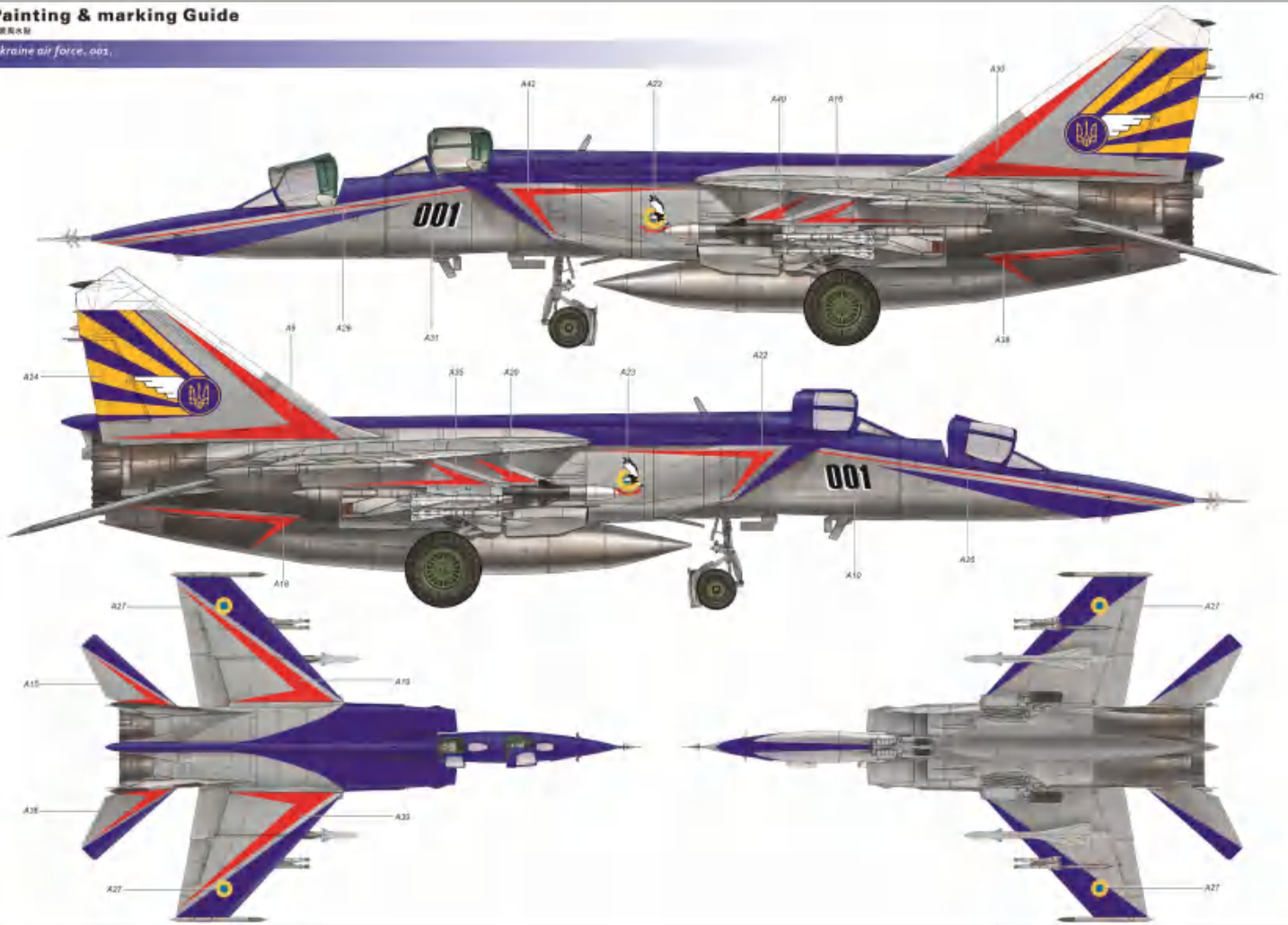
印度空军
India air force.



Painting & marking Guide

乌克兰空军 001

Ukraine air force, 001.

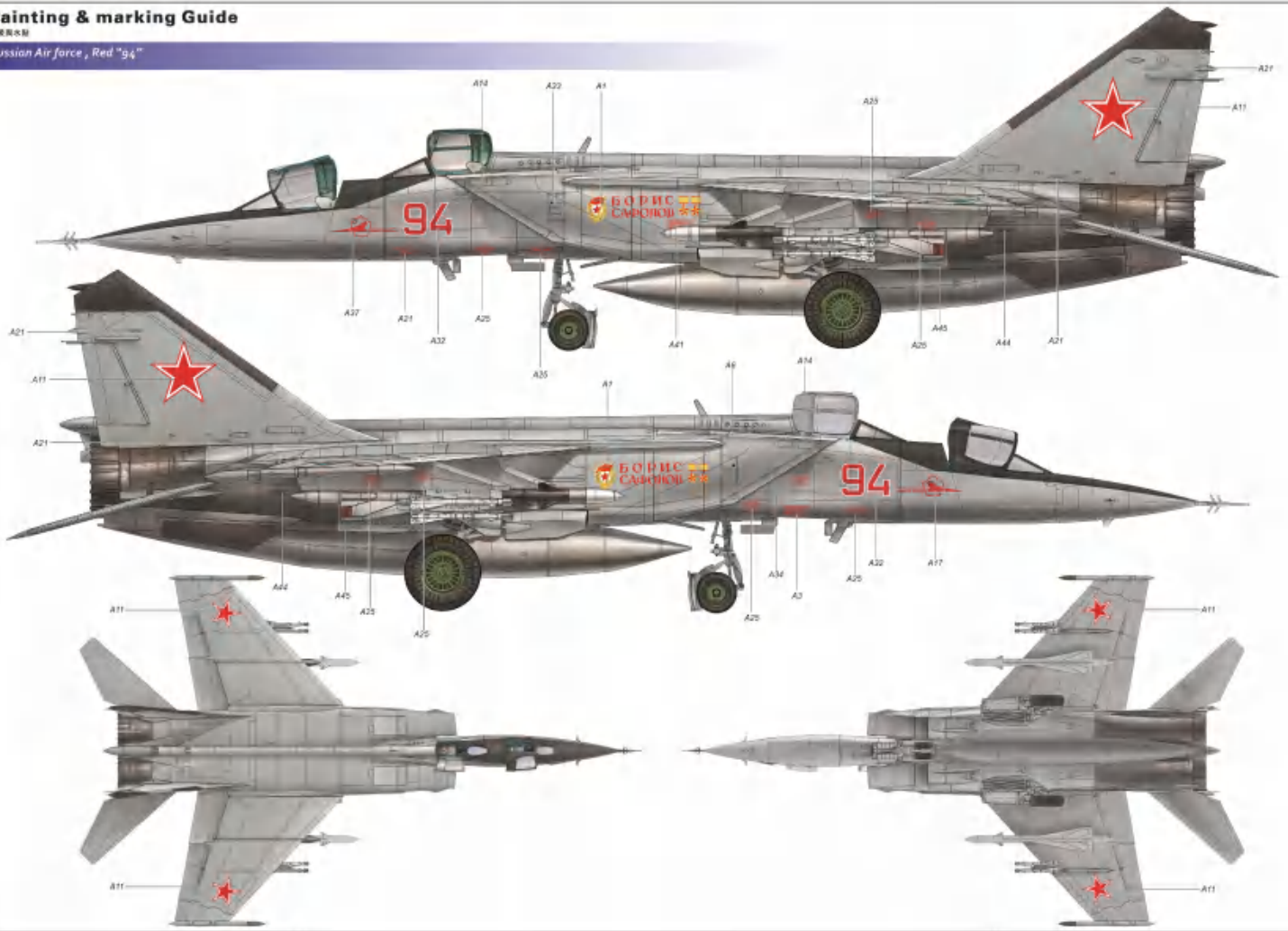


10

15

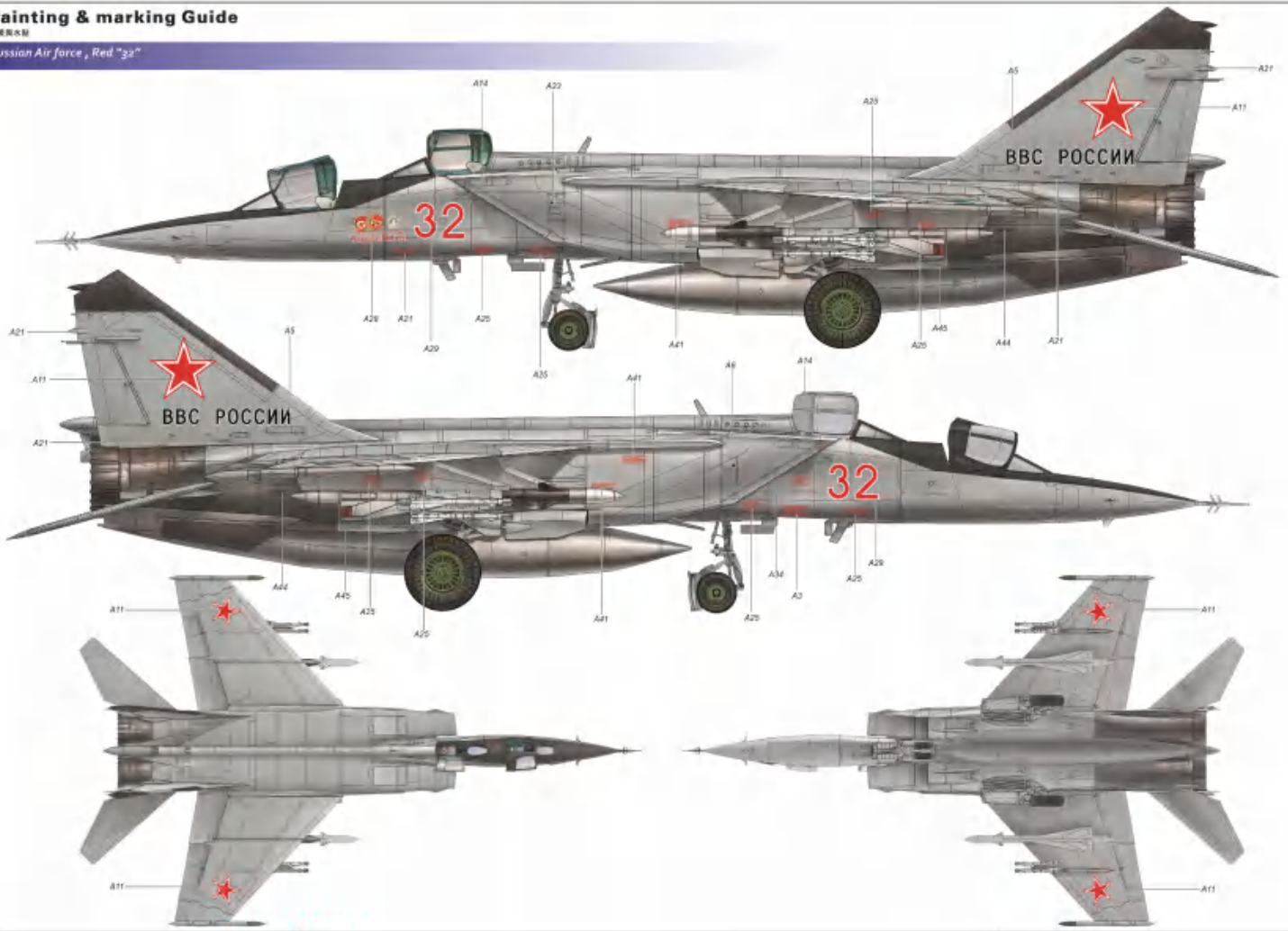
Painting & marking Guide

Russian Air force, Red "94"



Painting & marking Guide

Russian Air force, Red "32"



《FAB-500》



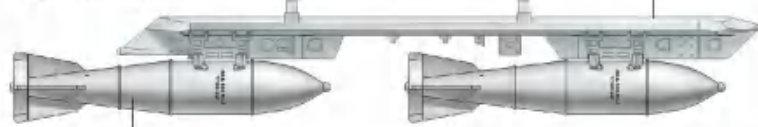
C307
GRAY FS 36320
FS36320 灰

x8 制作八组
Make Eight

C300
GRAY FS36270
FS36270 灰

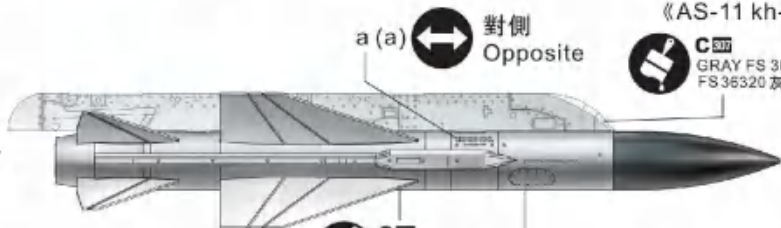
a (a) 對側
Opposite

C307
GRAY FS 36320
FS36320 灰



C300
GRAY FS36270
FS36270 灰

x4 制作四组
Make Four



a (a) 對側
Opposite

《R-60》
C301
WHITE
白色

x4 制作四组
Make Four



《FAB-1500》



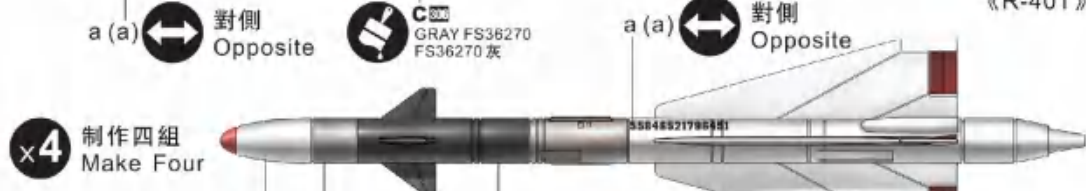
x4 制作四组
Make Four

a (a) 對側
Opposite

C300
GRAY FS36270
FS36270 灰

b (b) 對側
Opposite

C302
GRAY FS36118
FS36118 灰



x4 制作四组
Make Four

C301
WHITE
白色

C308
SILVER
銀色

C303
BURNT IRON
燒鐵色

a (a) 對側
Opposite

《R-40T》



x4 制作四组
Make Four

C301
WHITE
白色

C308
SILVER
銀色

C303
BURNT IRON
燒鐵色

b (b) 對側
Opposite

《R-40R》

《Fuel Tank》



24 (24) 對側
Opposite

28 (28) 對側
Opposite

C121
RLM81 BROWN VIOLET
紫褐

KH-31



66



66

KH-58



77

79

78



76

C308
GRAY FS36375
FS36375 灰