

Instruction

模型拼裝說明書

1:48 Scale



Su-34 Fullback



1:48 俄罗斯Su-34 “鸭嘴兽” 战斗机

ZM80141

READ BEFORE ASSEMBLY

在組合您的模型之前，請充分閱讀本冊說明書。組合模型您需要如下物品（需另購）：模型膠水；一把模型鉗或一把用於將零件從框架上切下的模型筆刀。筆刀同樣可以用來修整零件的合模綫。祝您制作愉快！

Before assembling your model kit, read through these instructions carefully. To assemble this kit, you will need Plastic glue (not include). A pair of side cutter or a sharp modelling knife is required for removing parts from the frame. Plastic mould lines can be removed with the modelling knife.



請注意
Special instructions



隨愛好選擇
Optional



組合完成
Finished Assembly



彎曲
Bend



制作兩組
Make Two



鉗孔
Make Hole



塗色
Painting



無需膠粘
Do Not Cement

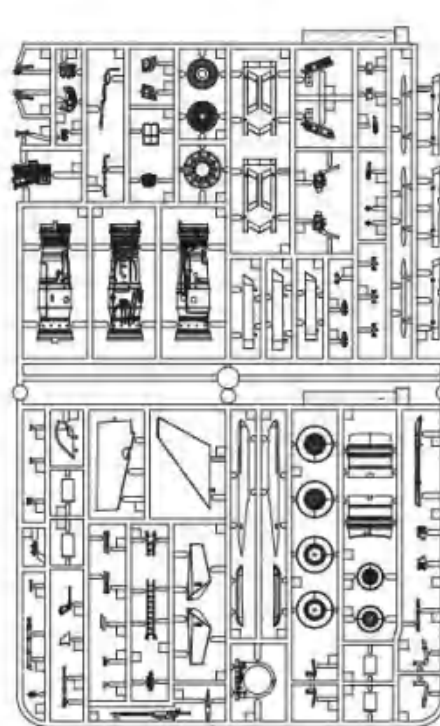
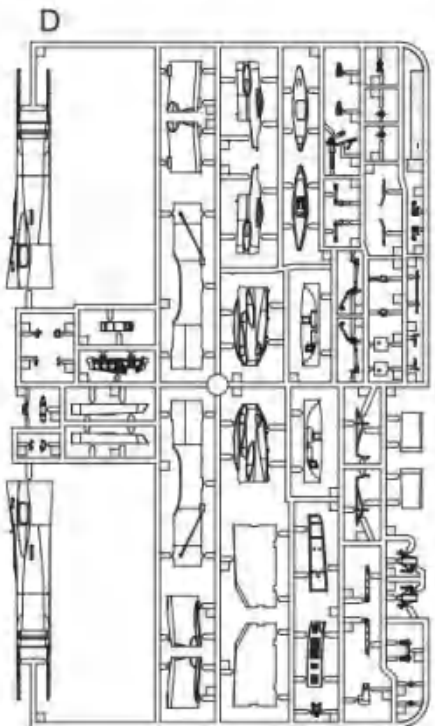
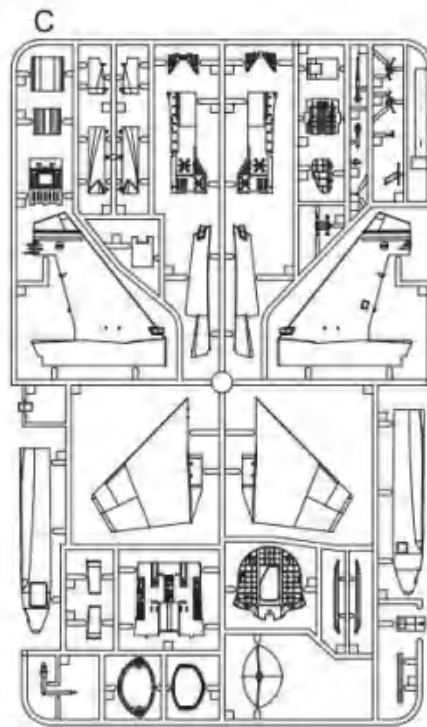
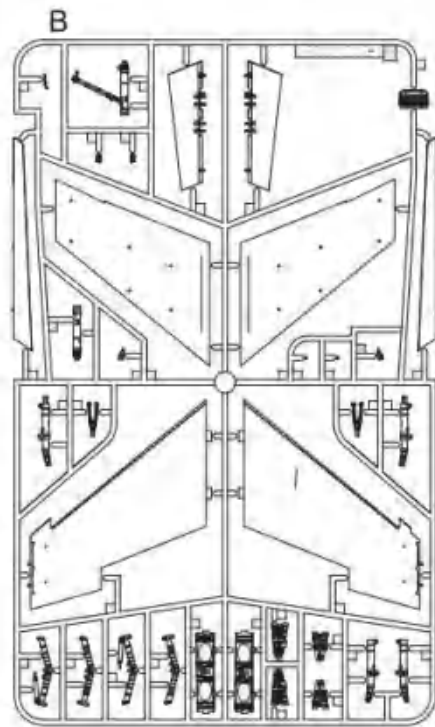


切除
Cut



對側
Opposite

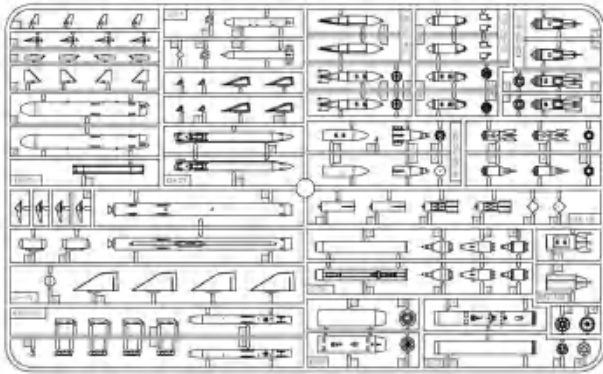
部品圖 Part



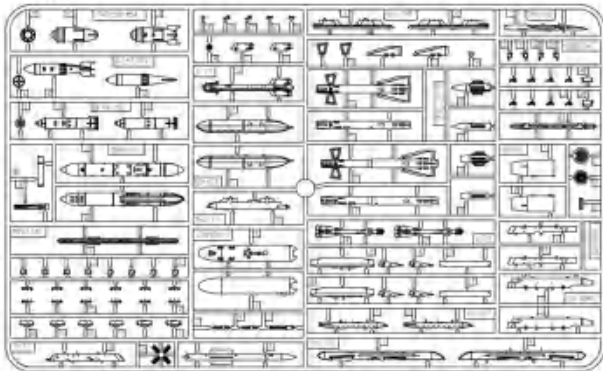
部品图

Part

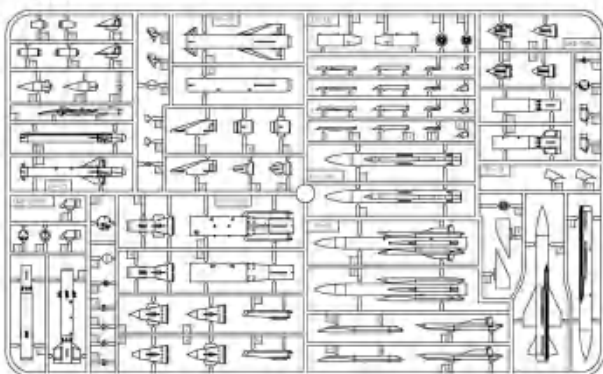
x2



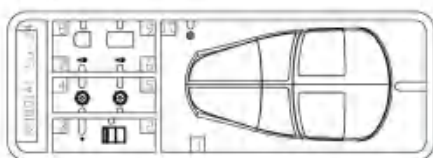
x2



x2



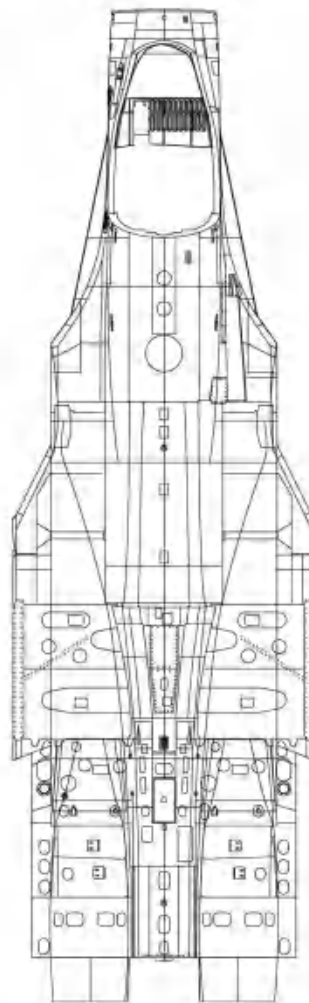
GP



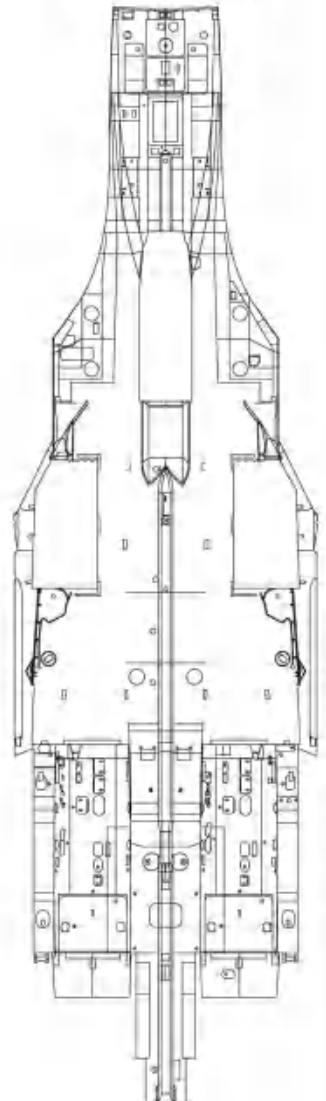
《蚀刻片》
PE



《上部机身》
Top fuselage



《下部机身》
Lower fuselage



《水贴纸A》
Decal A



《水贴纸C》
Decal C



《水贴纸B》
Decal B



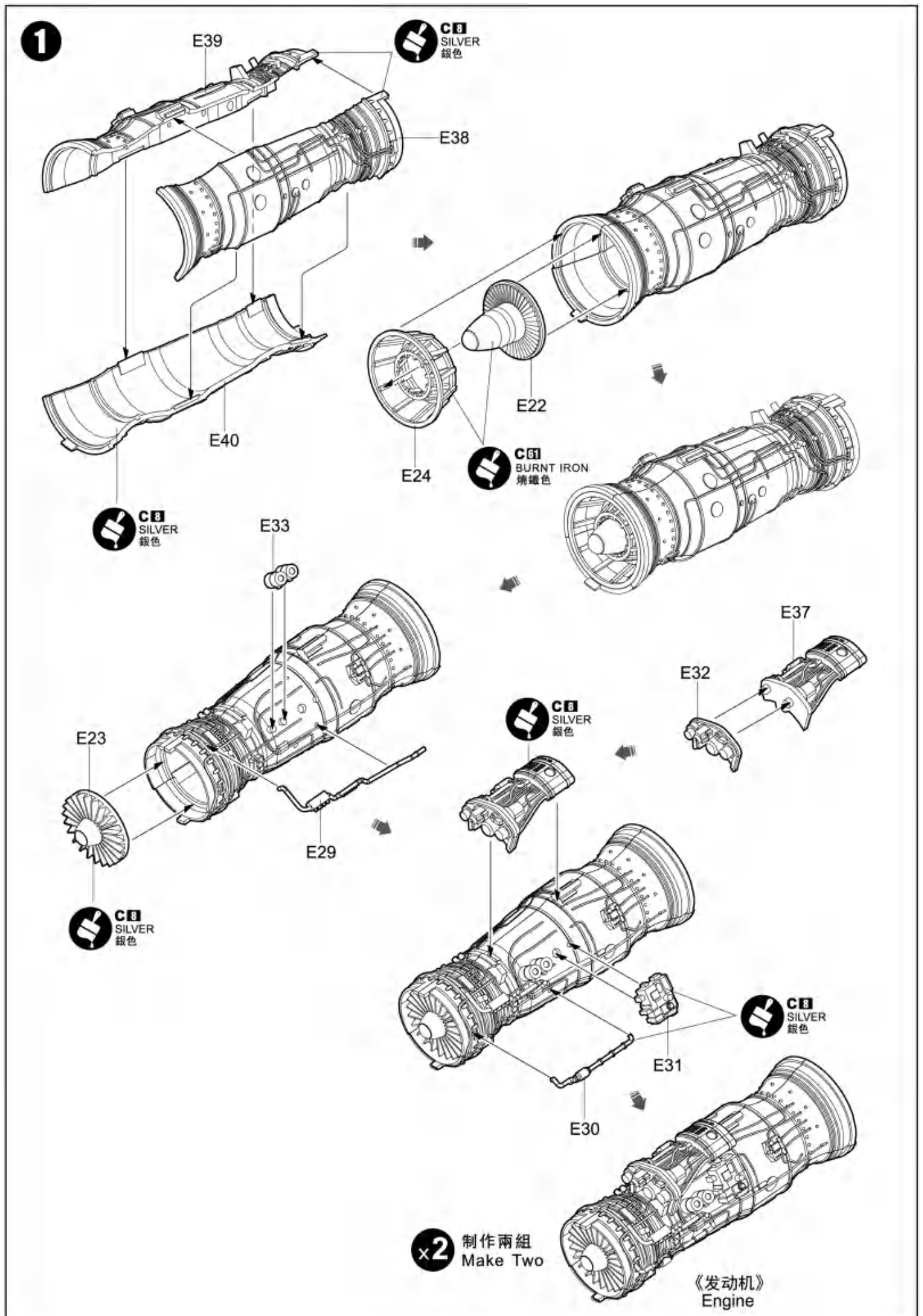
《树脂零件》
RESIN PART

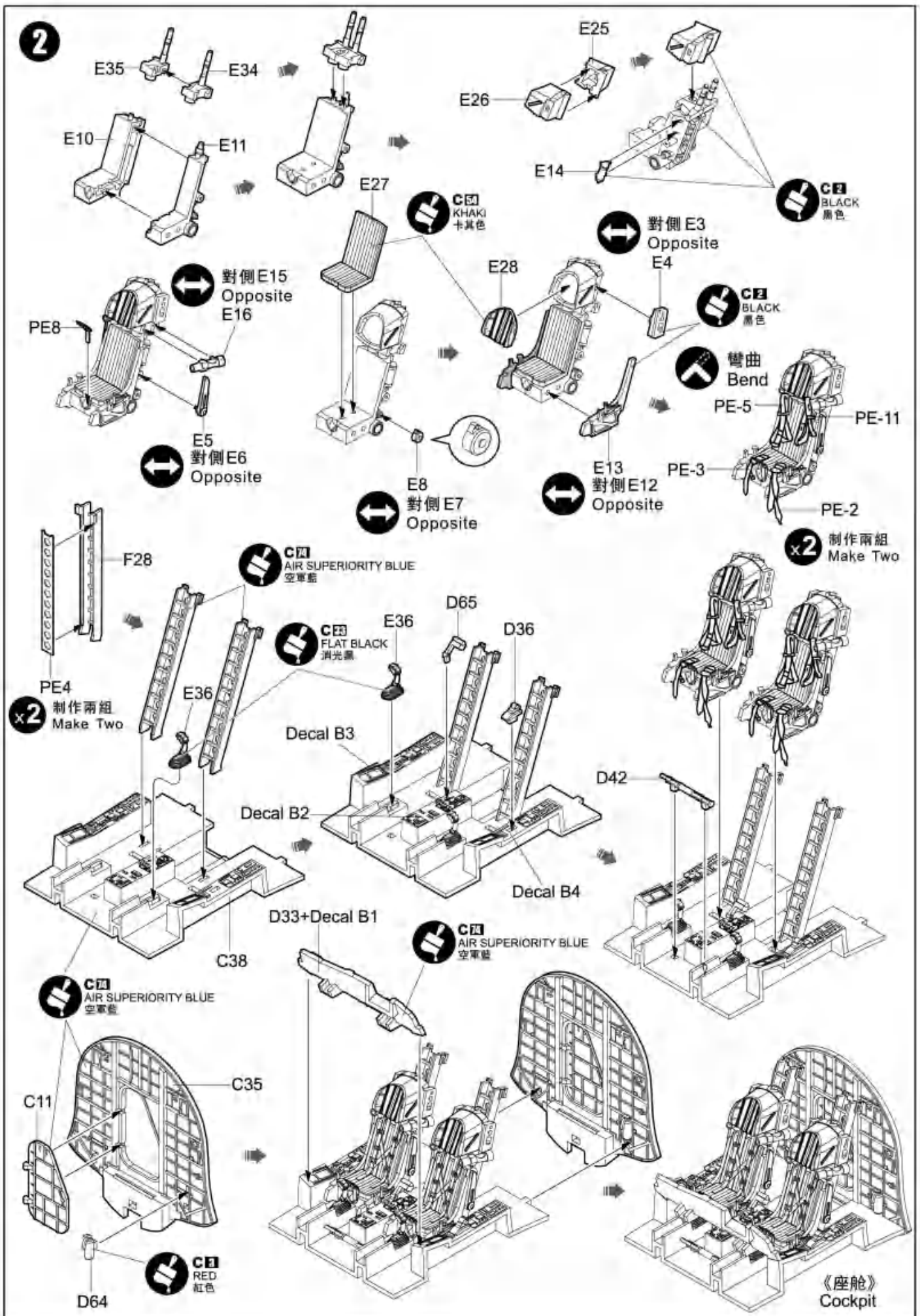
x2

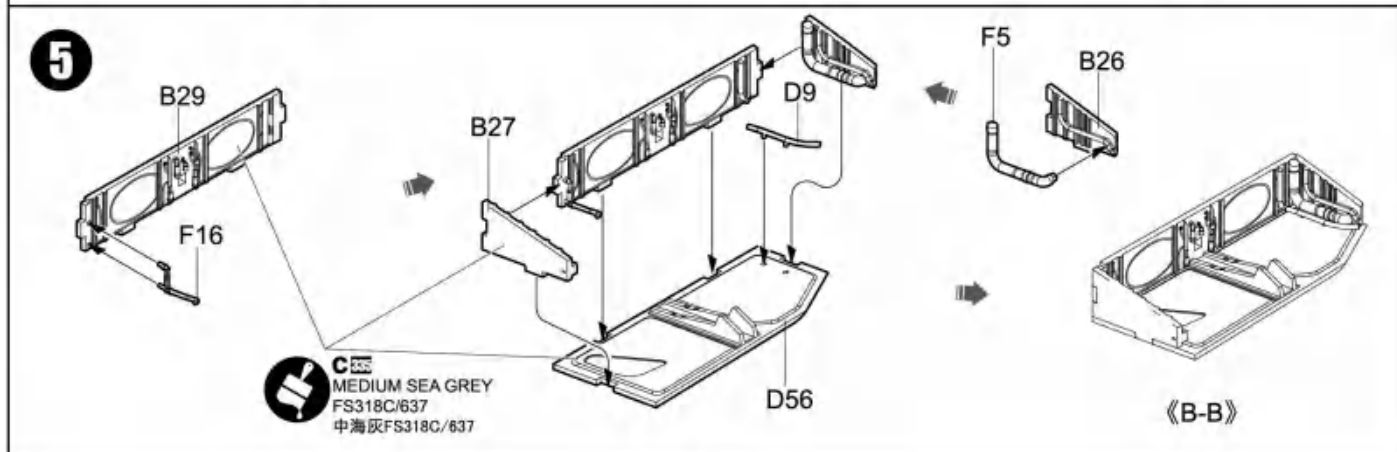
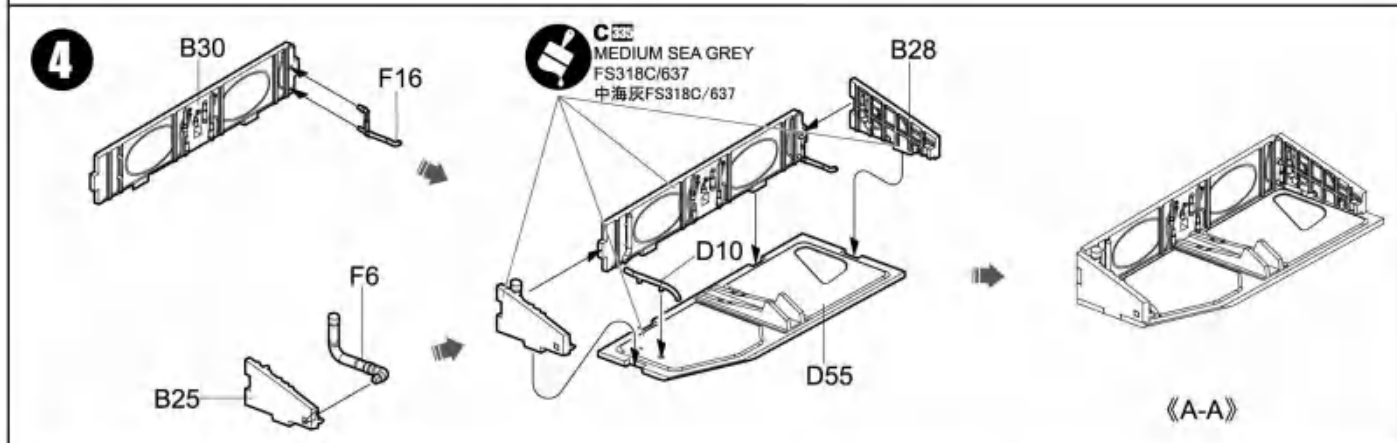
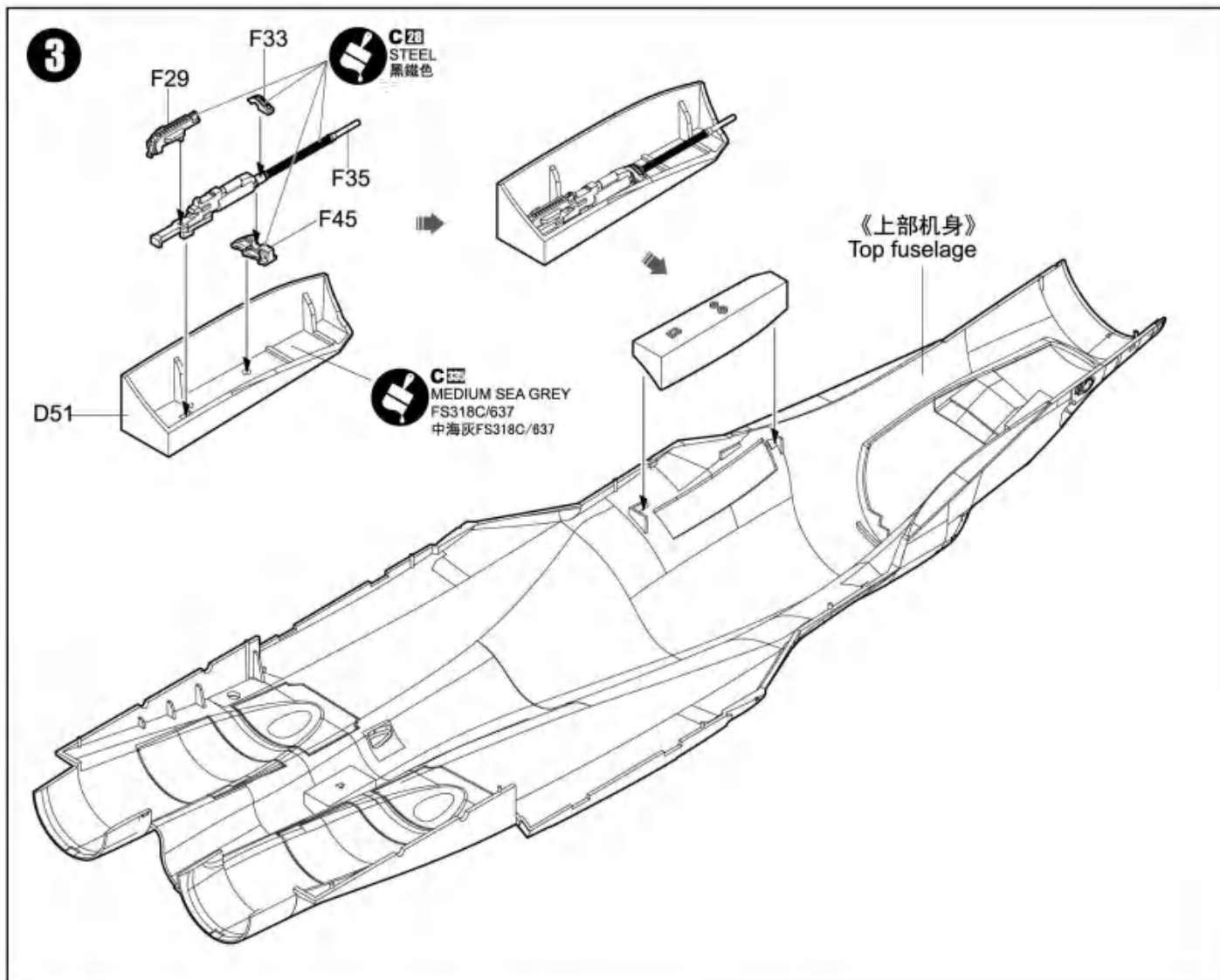


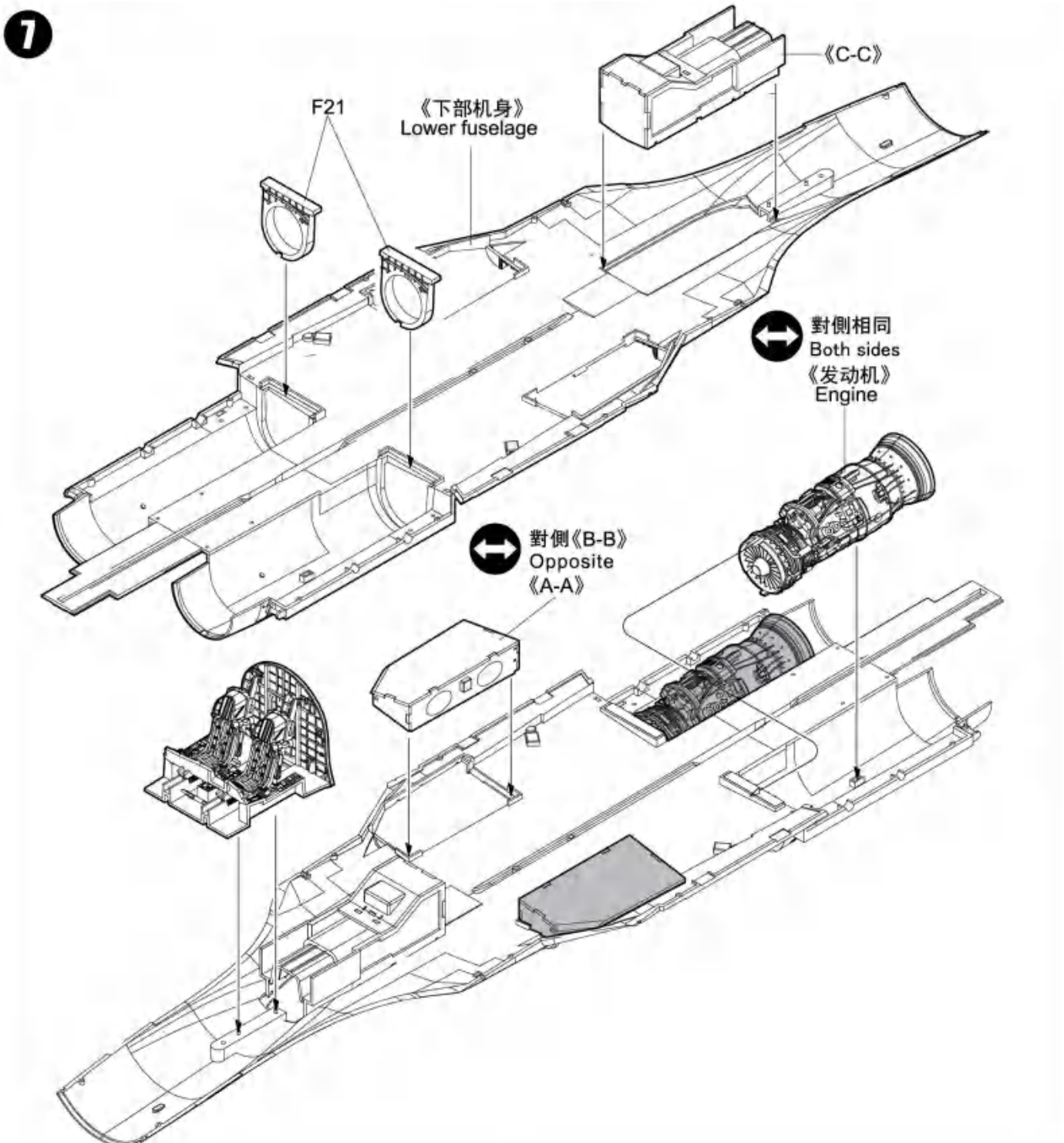
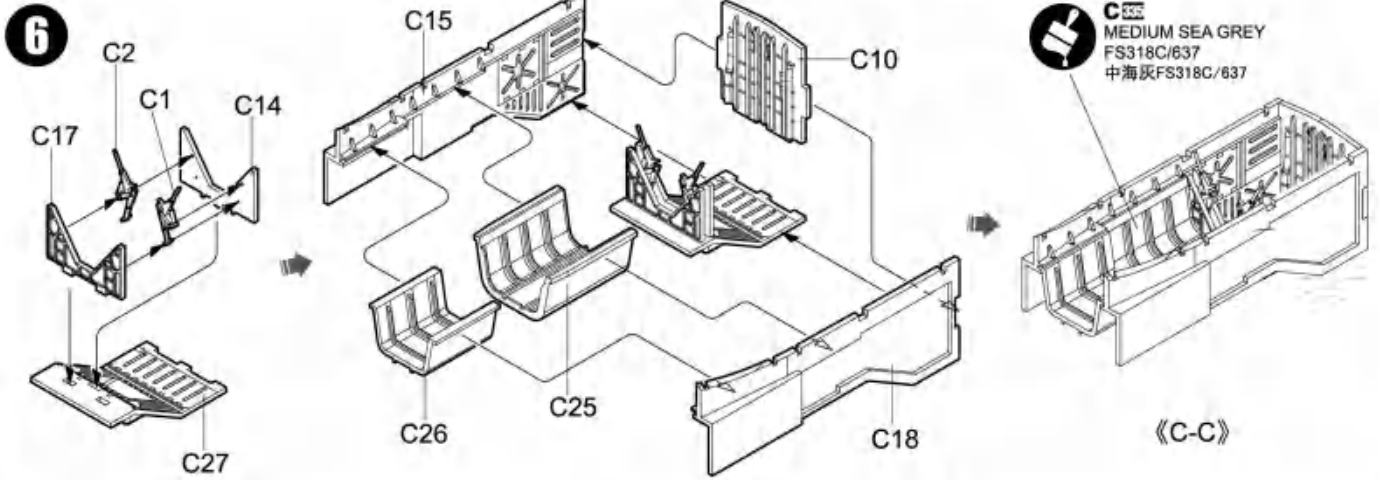
x2







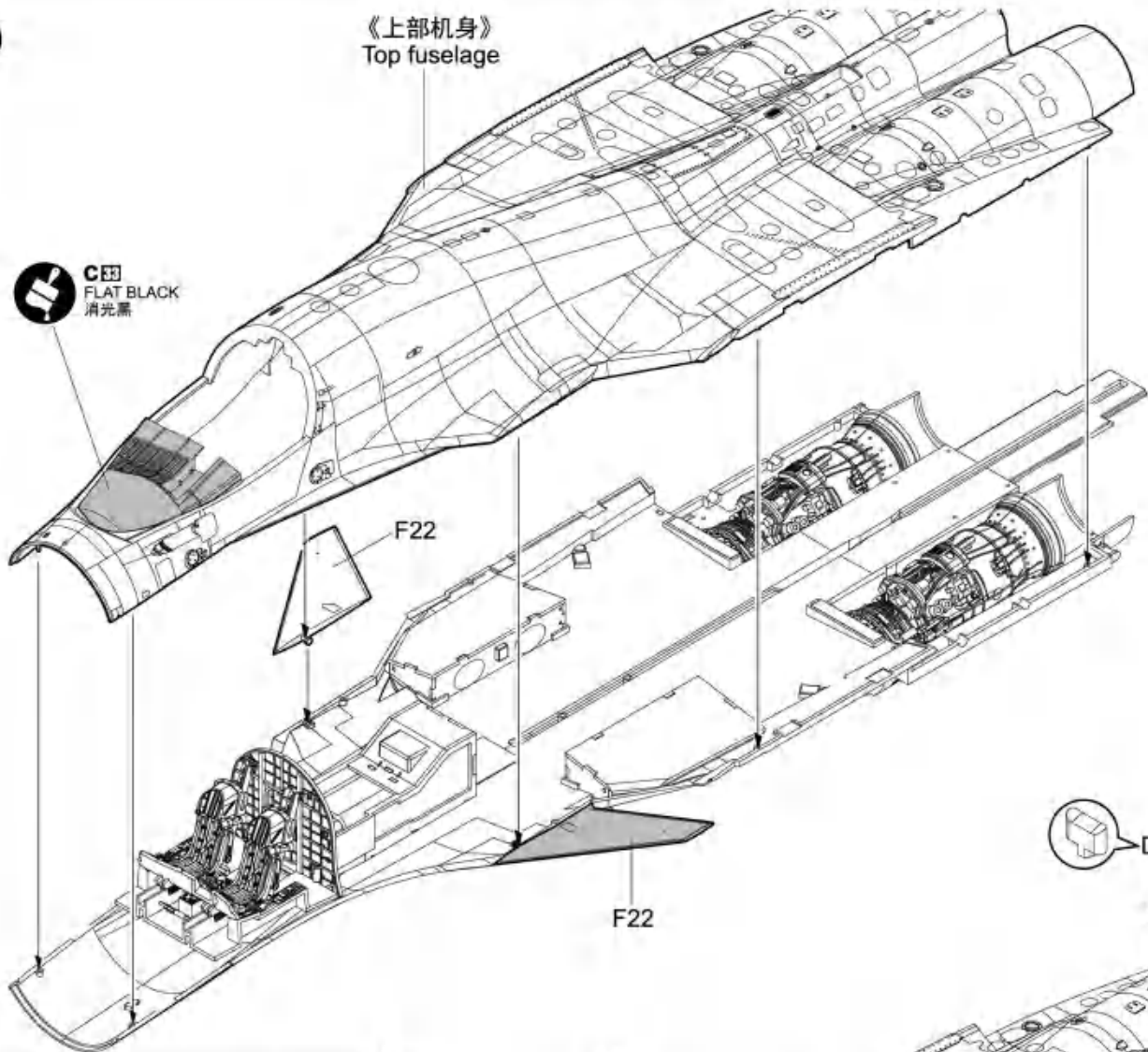




8

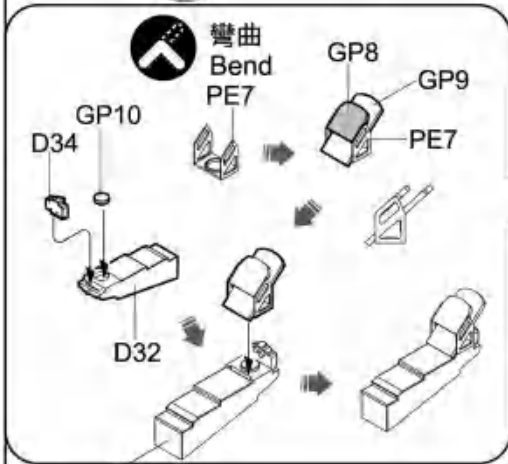
《上部机身》
Top fuselage

C15
FLAT BLACK
消光黑



D35

F22



C16
彎曲
Bend
PE7

GP8
GP9
PE7

GP10
D34

D32

C45

C4

C17
FLAT BLACK
消光黑

C36

C43

D49

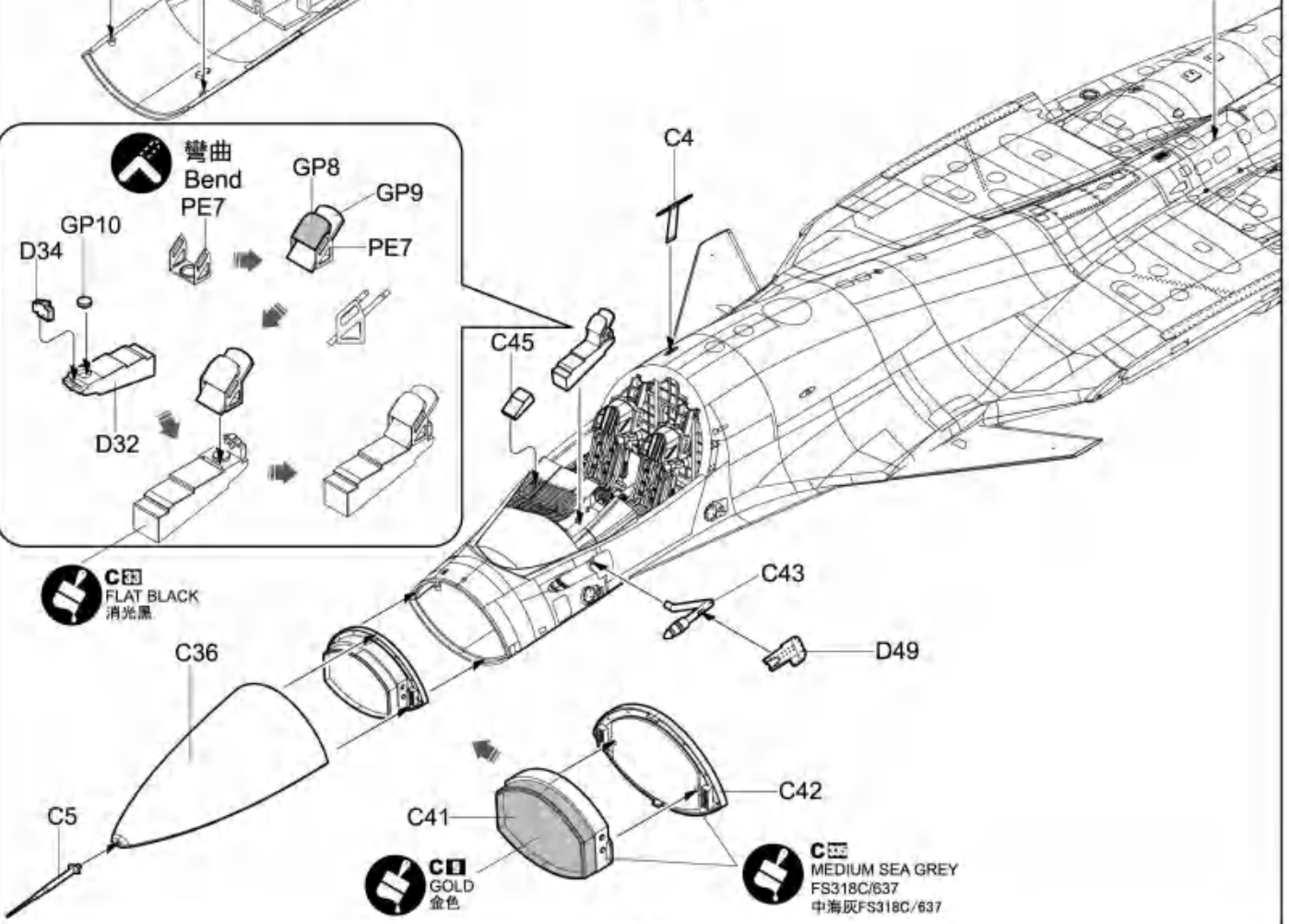
C5

C41

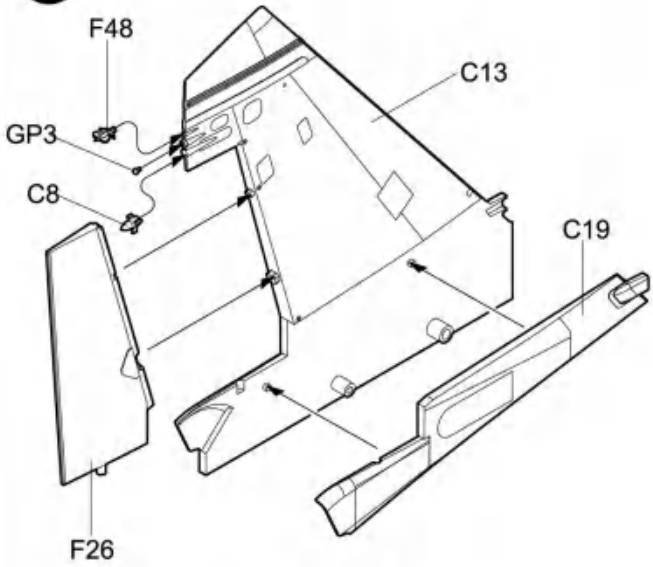
C42

C18
GOLD
金色

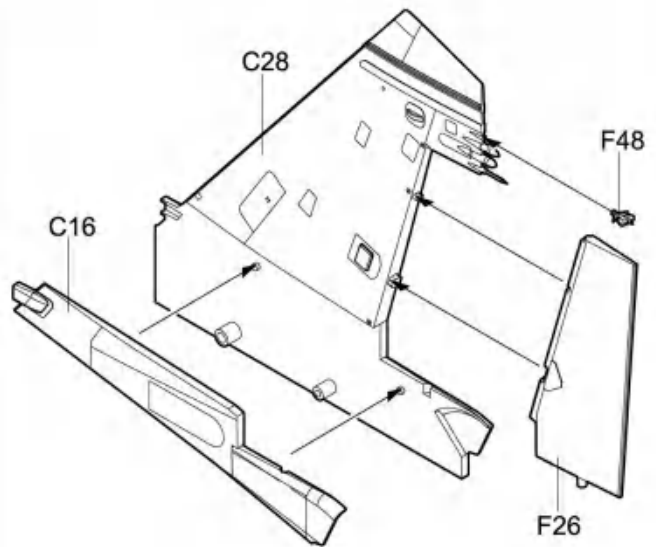
C19
MEDIUM SEA GREY
FS318C/637
中海灰FS318C/637



9



《左侧垂翼》
Left vertical stabilizer



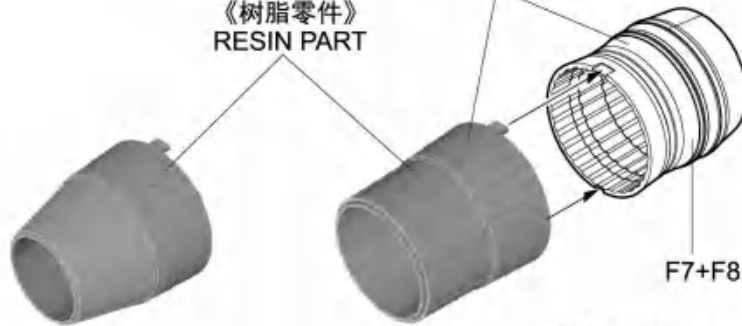
《右侧垂翼》
Right vertical stabilizer

10

❓ 随爱好選擇
Optional

⚡ C61
BURNT IRON
燒鐵色

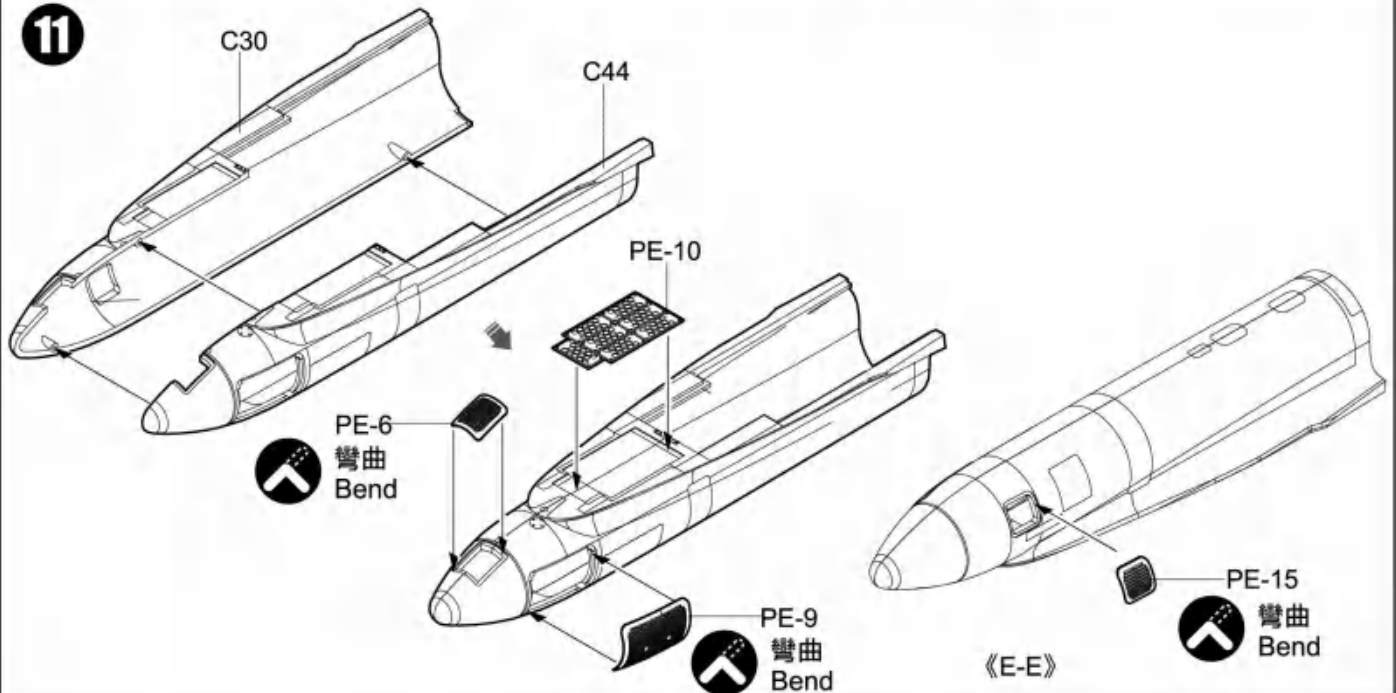
《树脂零件》
RESIN PART



《D-D》

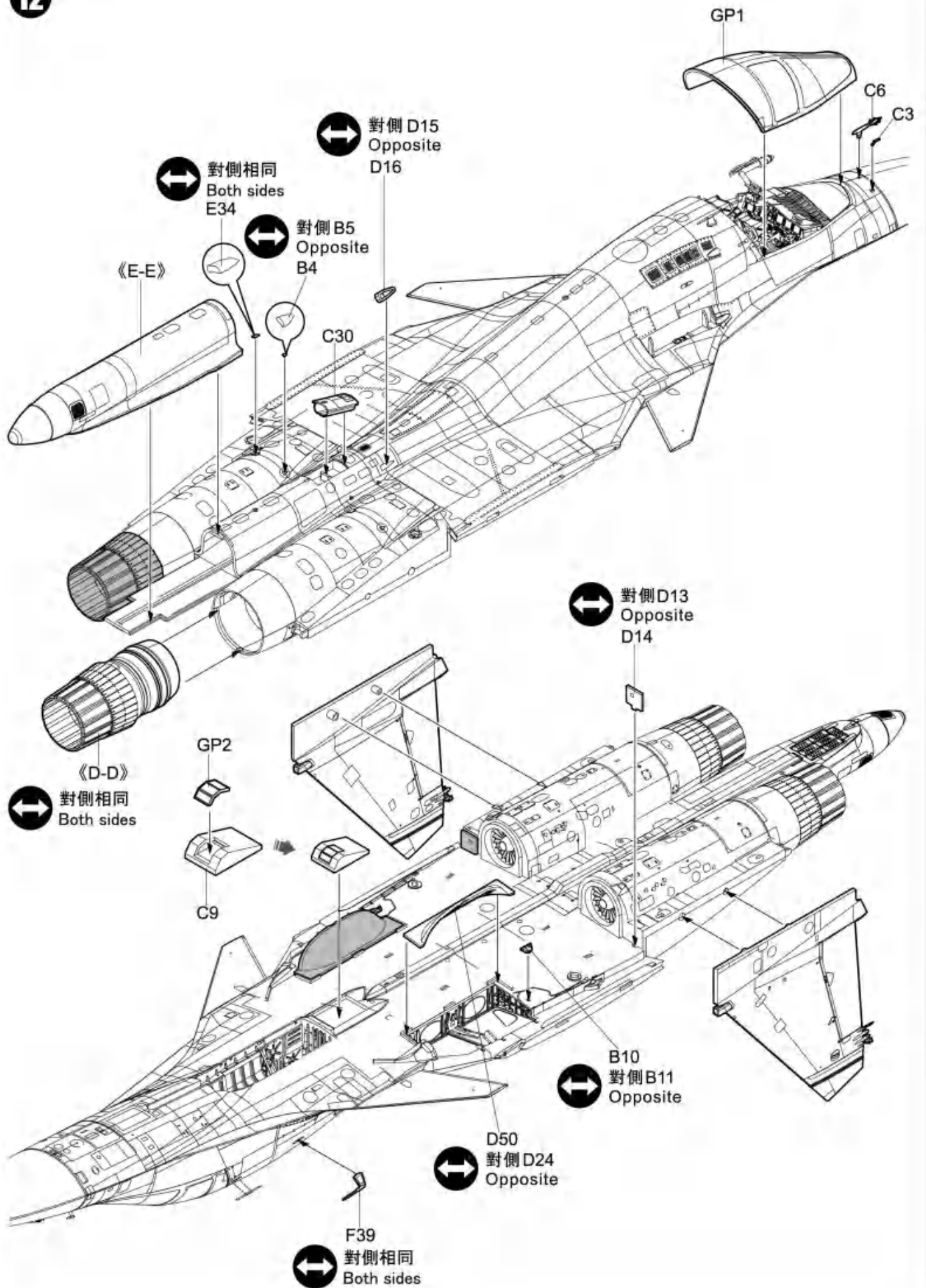
✖2 制作兩組
Make Two

11



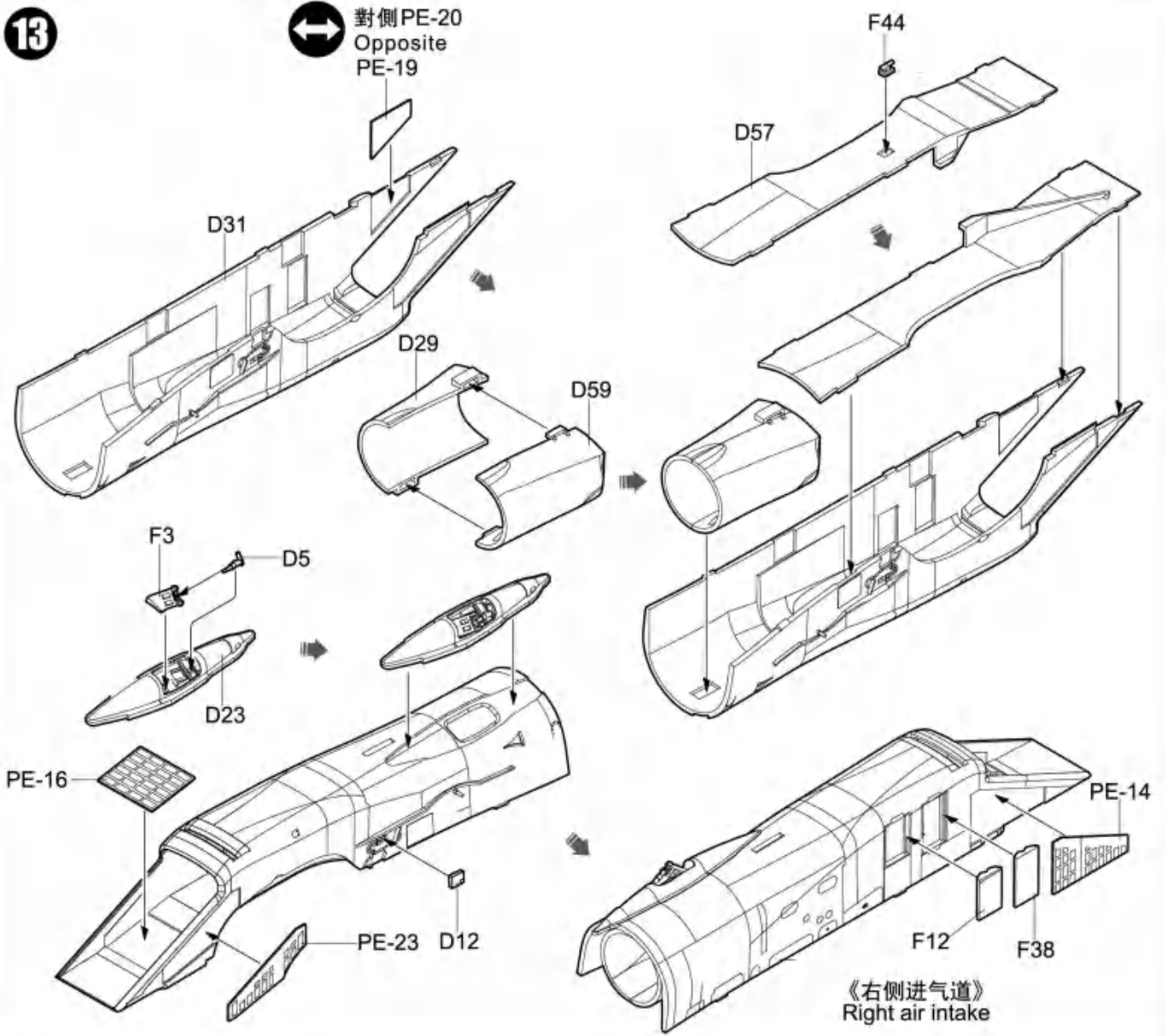
《E-E》

12



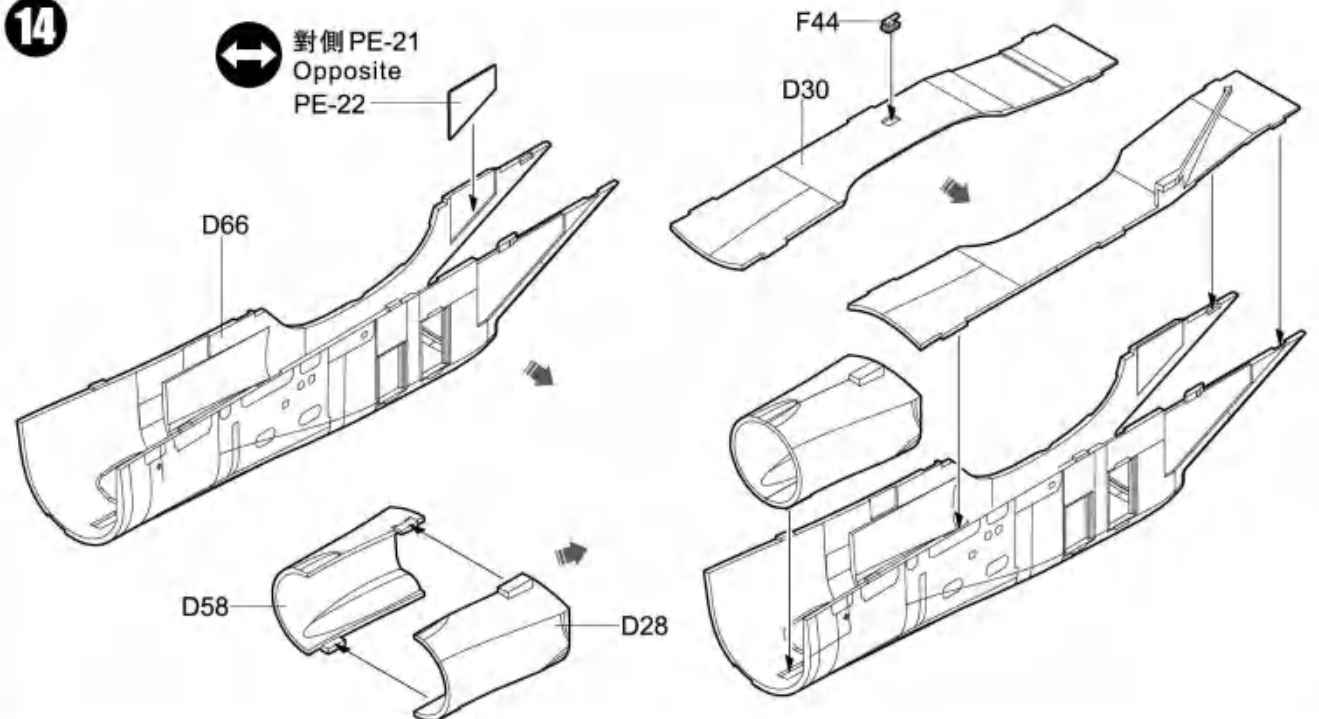
13

對側 PE-20
Opposite
PE-19

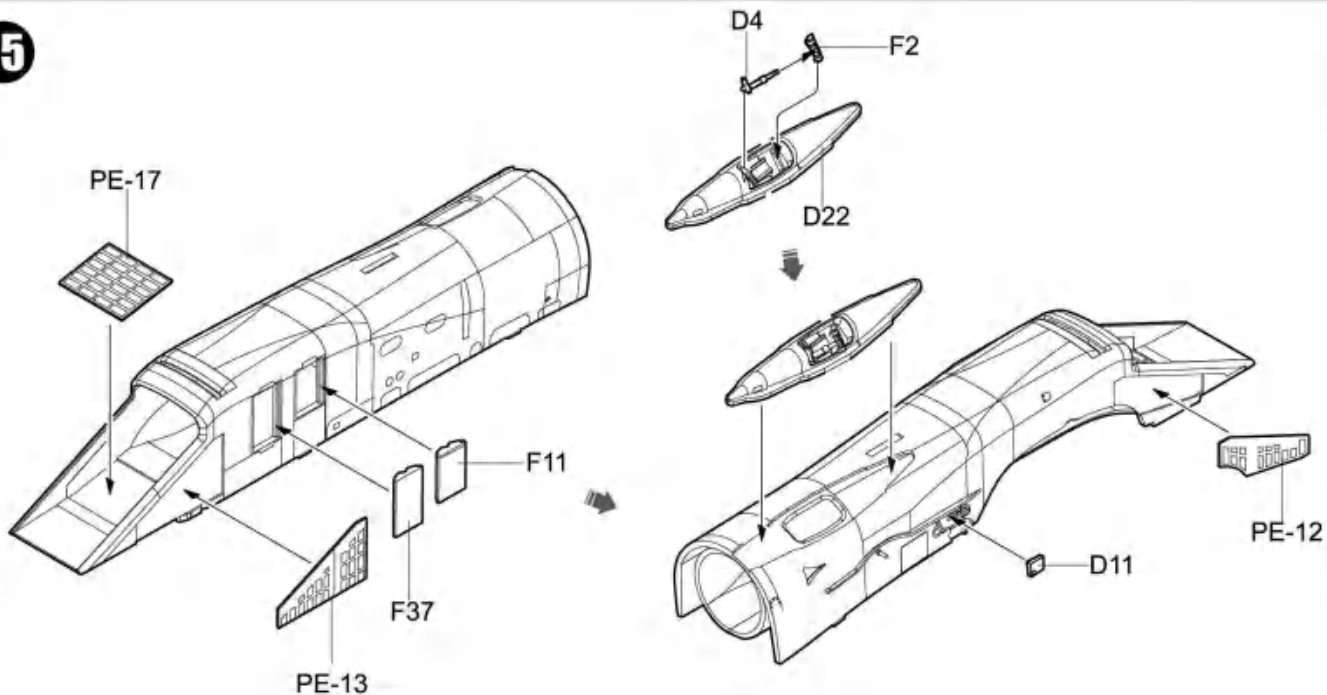


14

對側 PE-21
Opposite
PE-22

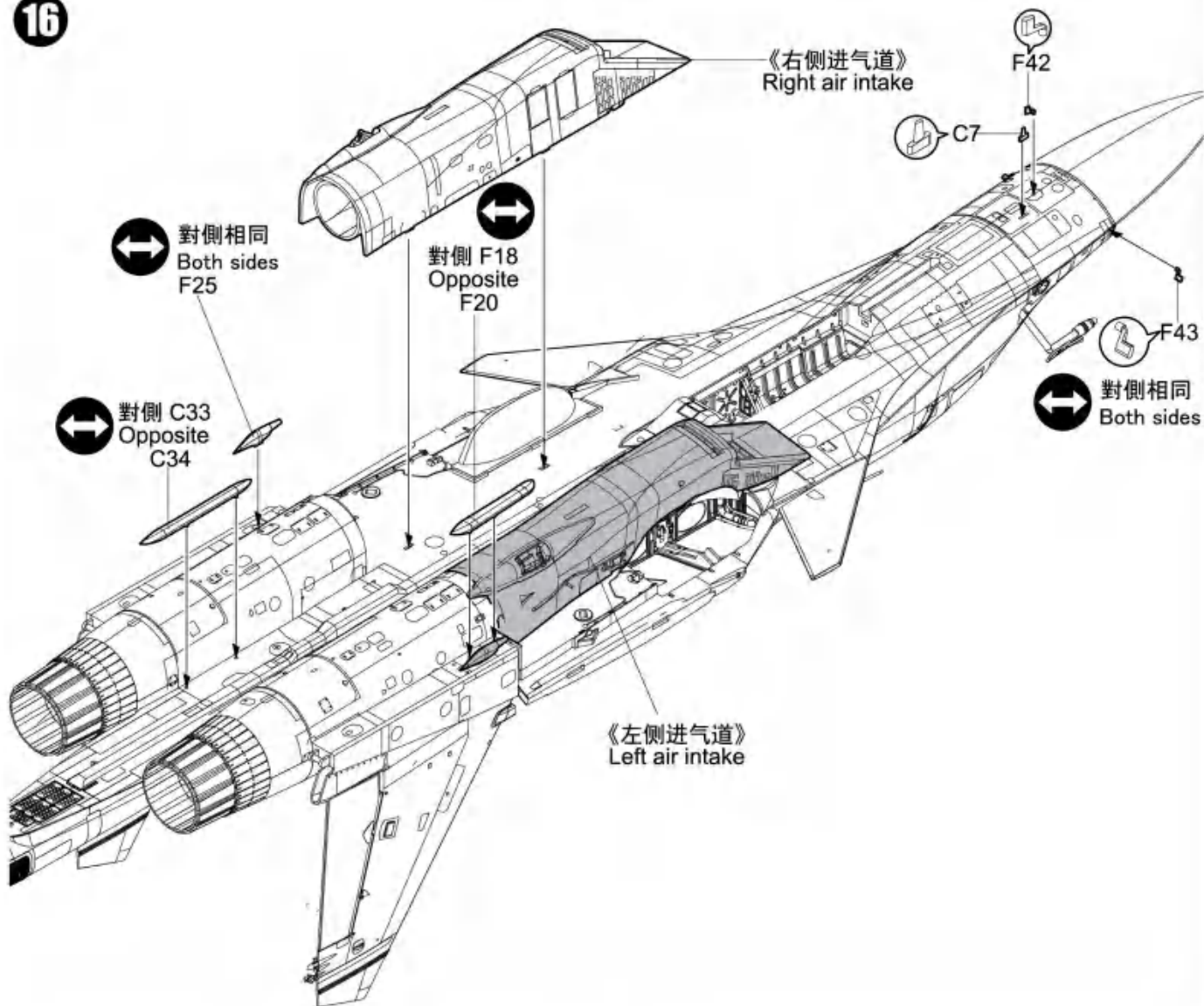


15

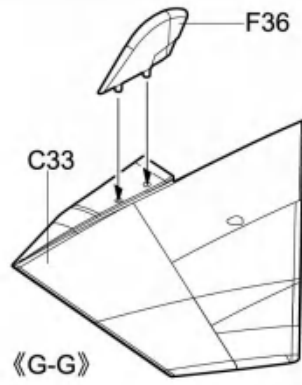
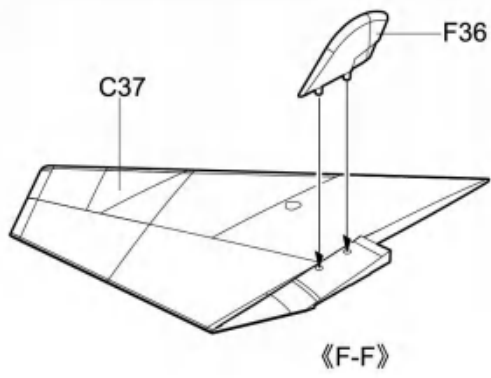


《左侧进气道》
Left air intake

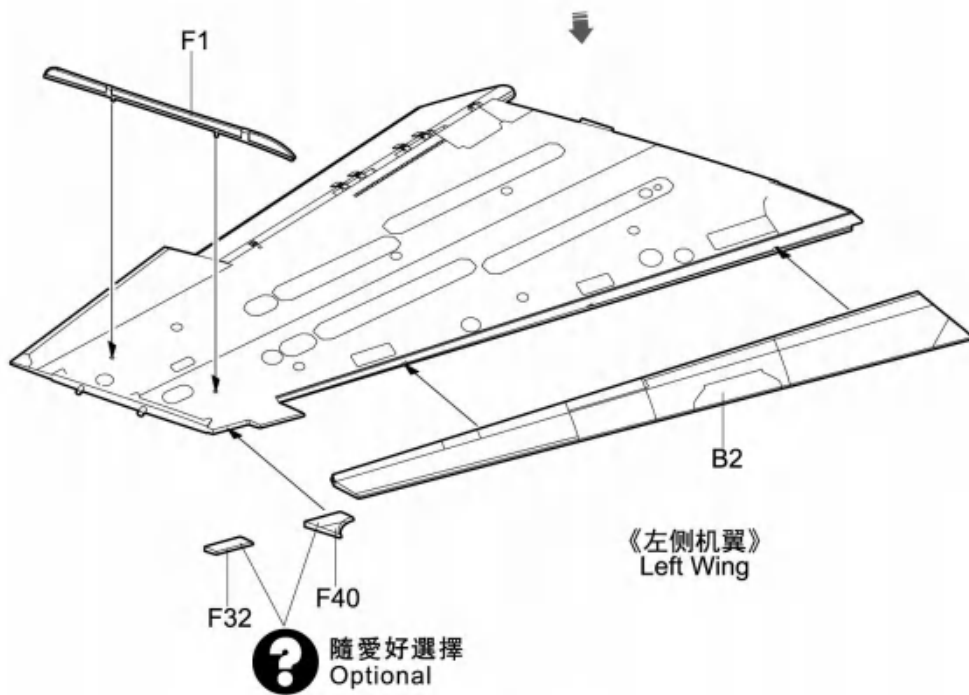
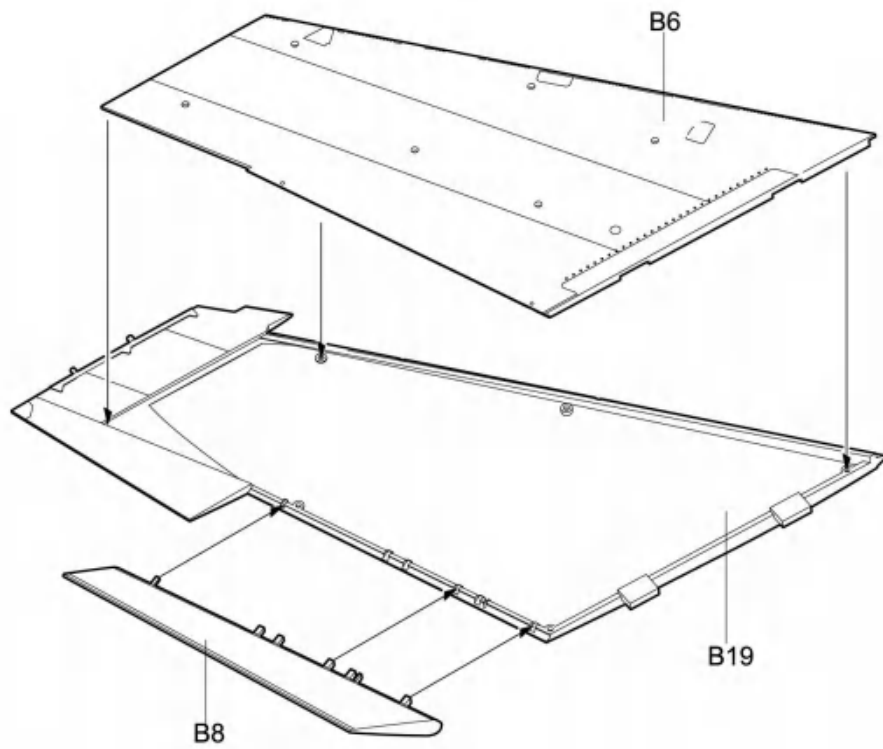
16



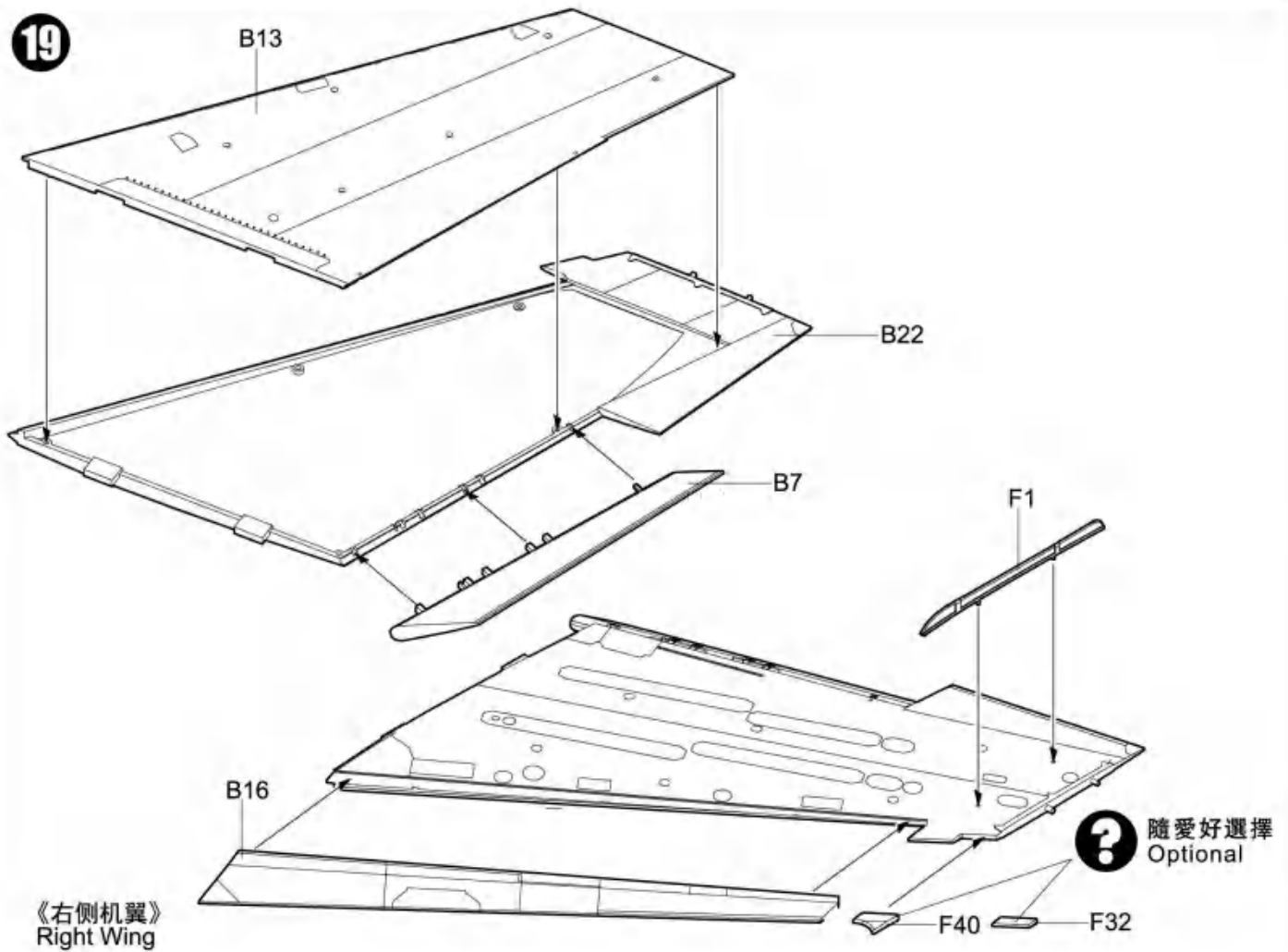
17



18

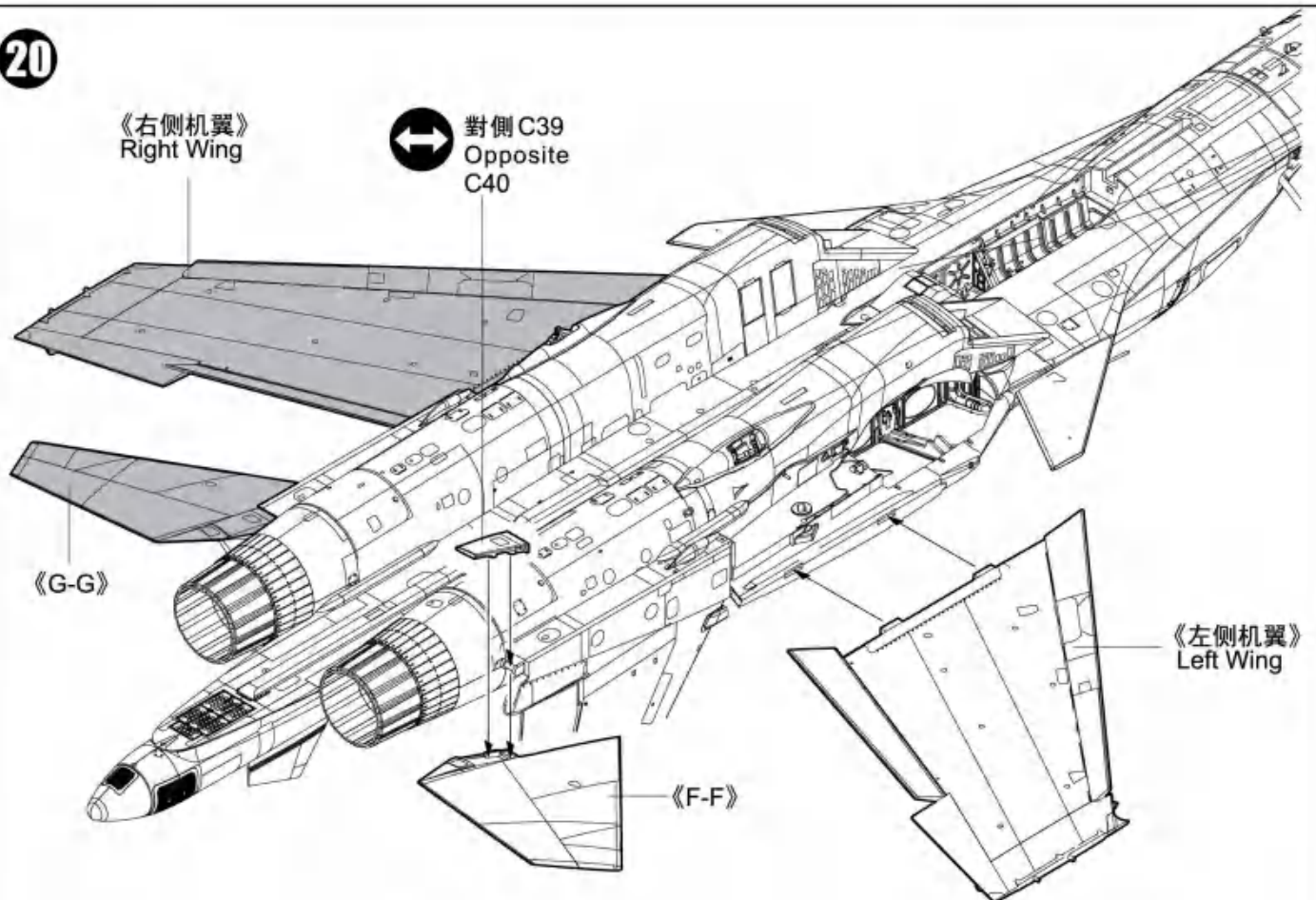


19



《右侧机翼》
Right Wing

20



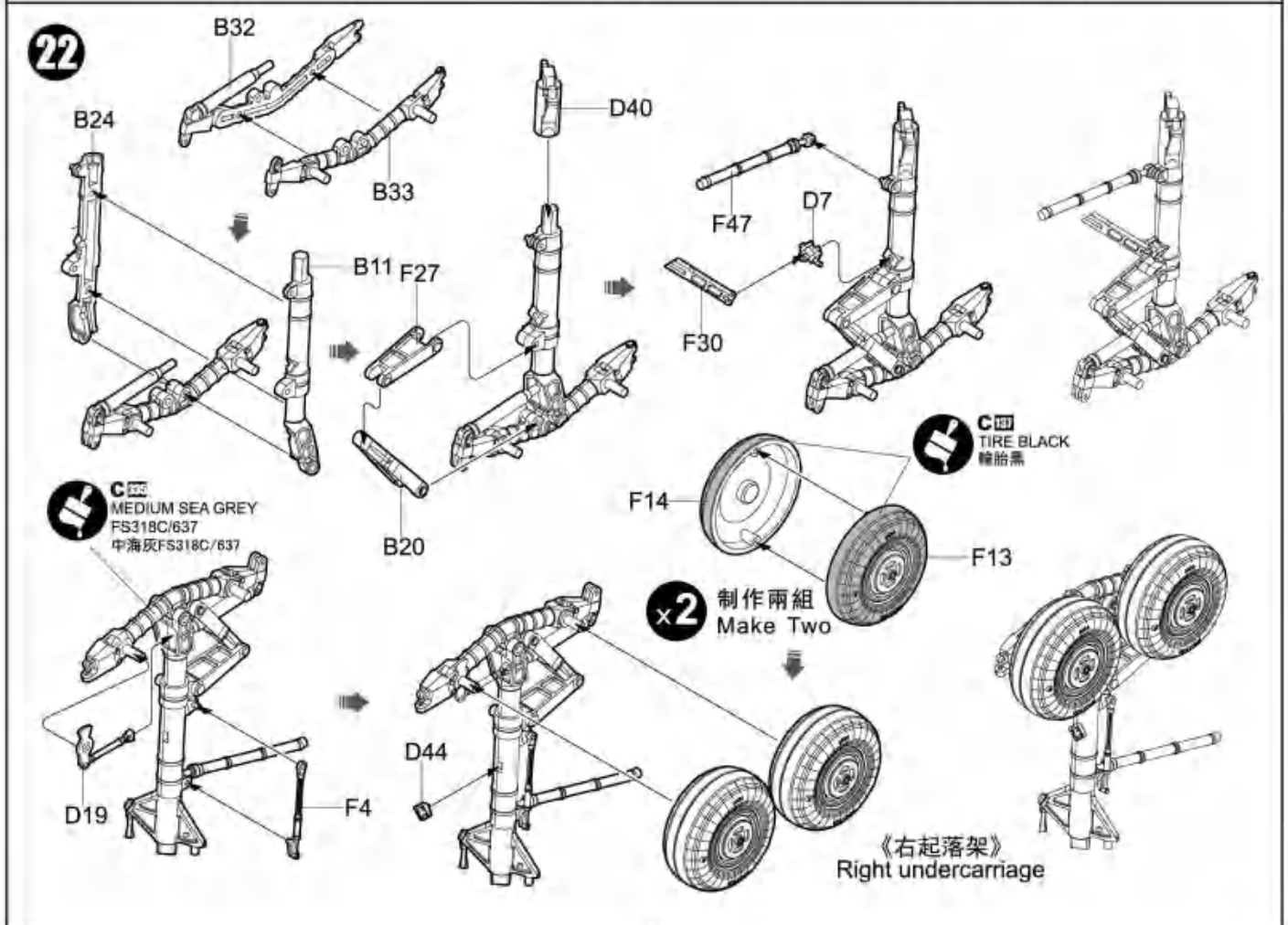
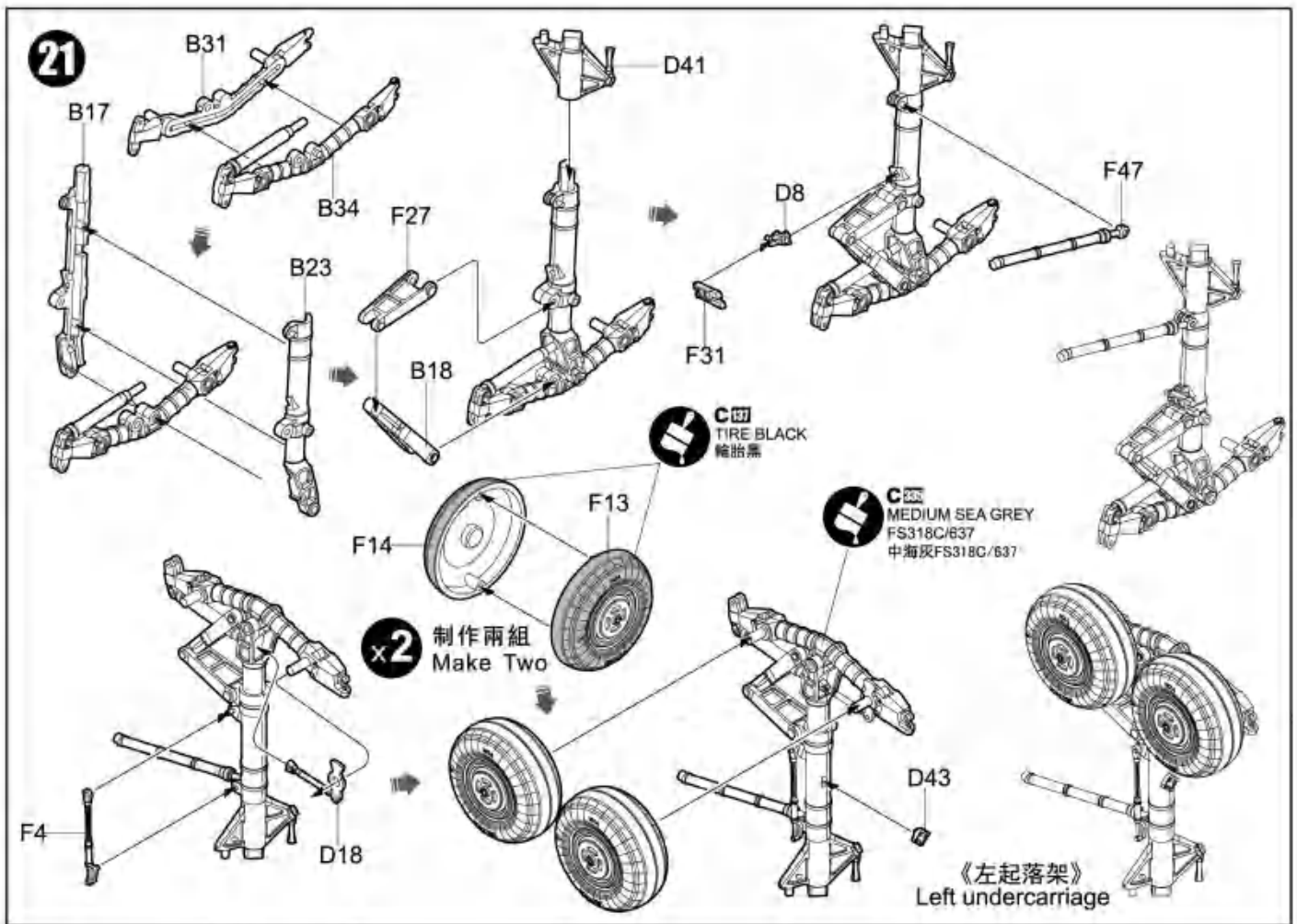
《右侧机翼》
Right Wing

對側 C39
Opposite
C40

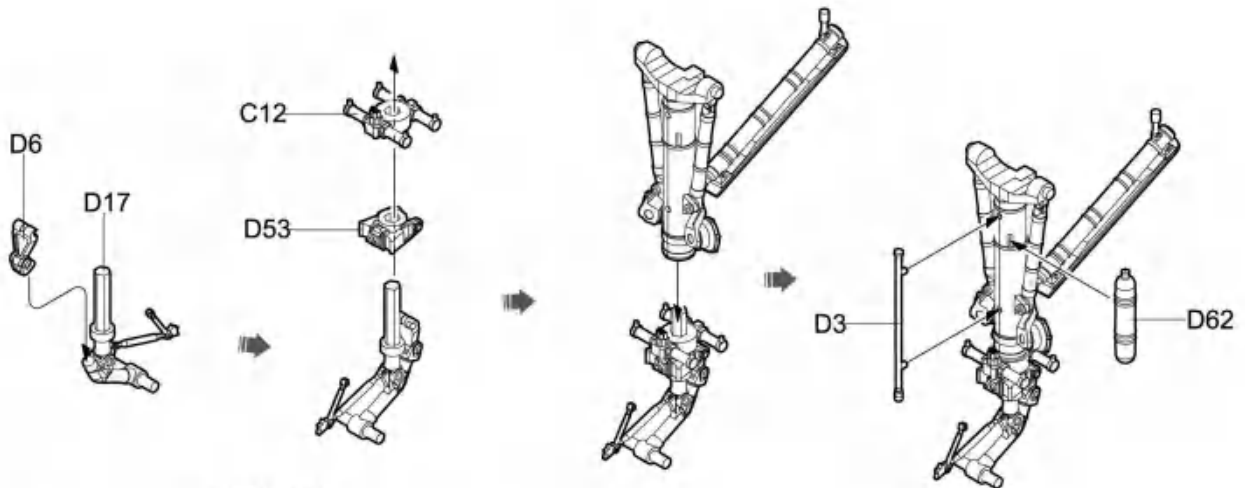
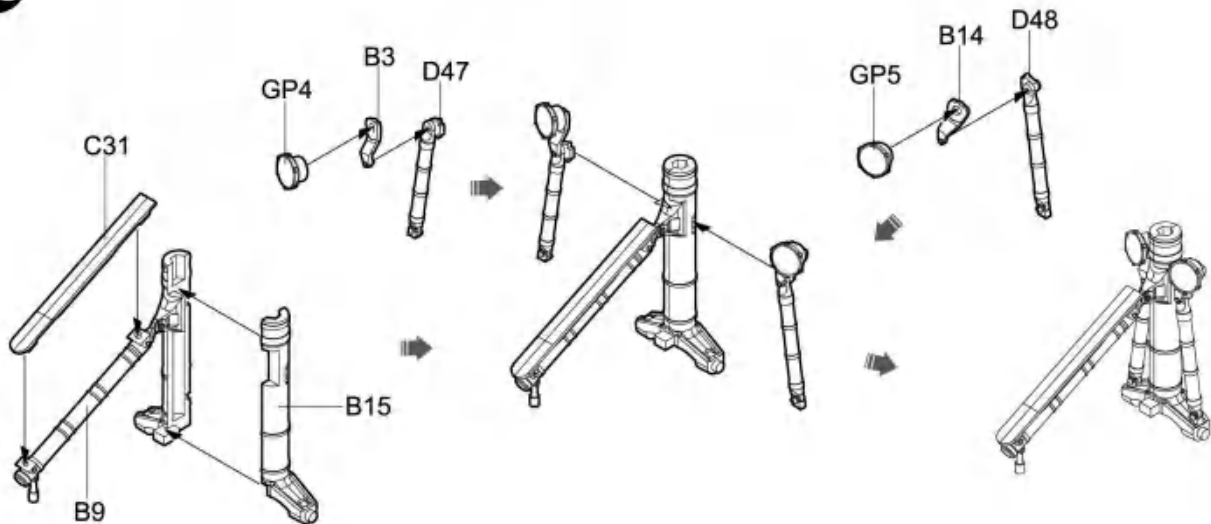
《G-G》

《F-F》

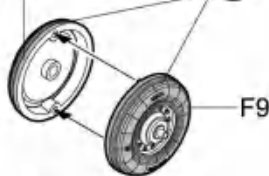
《左侧机翼》
Left Wing



23



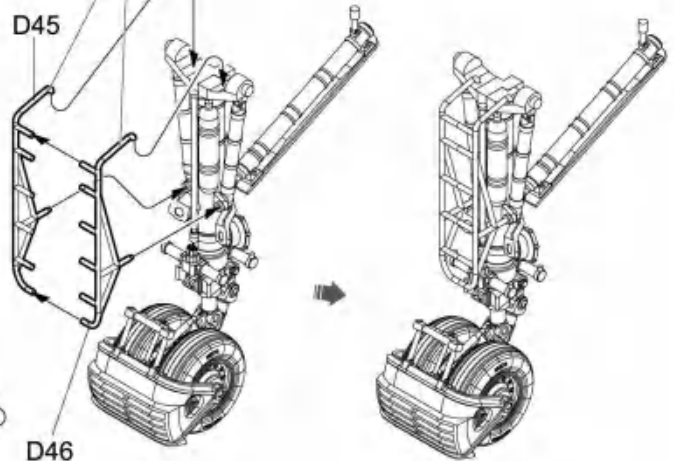
F10 **C17** TIRE BLACK 輪胎黑



C20 MEDIUM SEA GREY FS318C/637 中海灰FS318C/637

C21 MEDIUM SEA GREY FS318C/637 中海灰FS318C/637

x2 制作兩組 Make Two



《前起落架》
Nose undercarriage

24

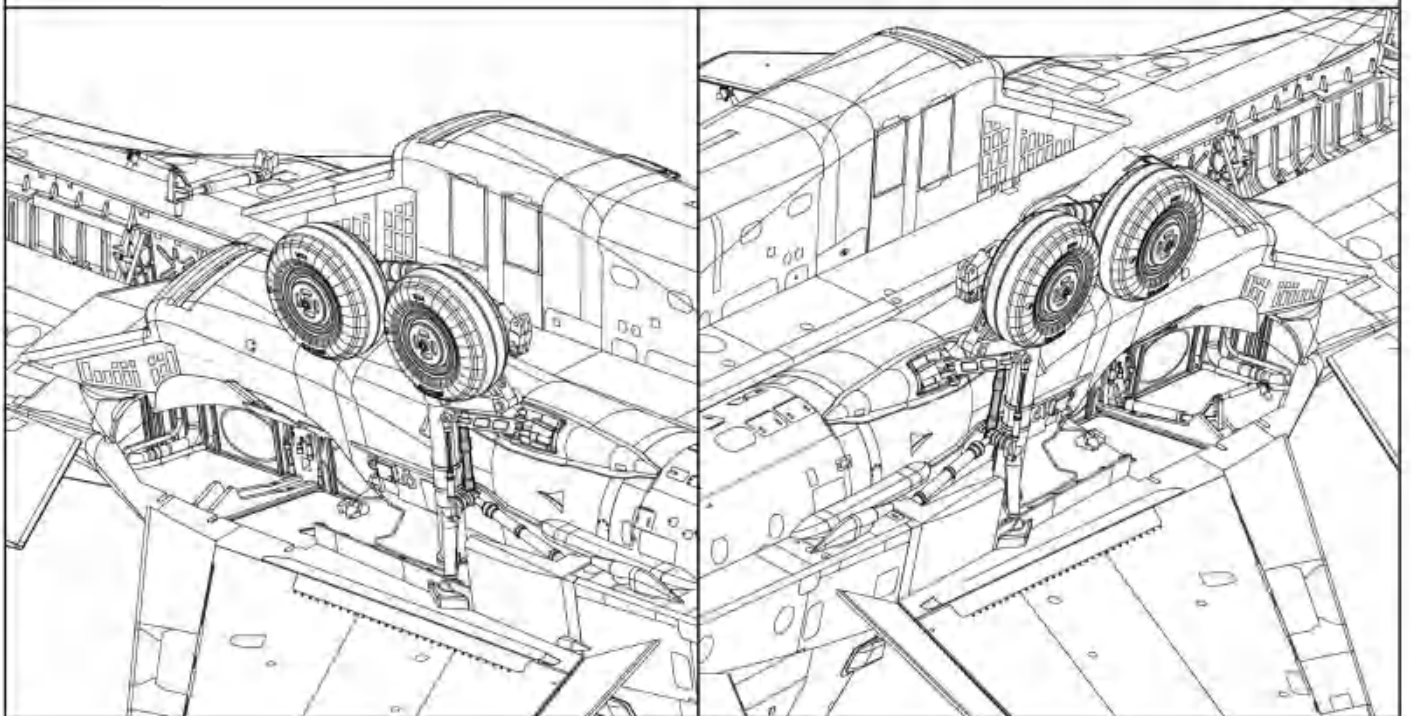
《前起落架》
Nose undercarriage

《左起落架》
Left undercarriage

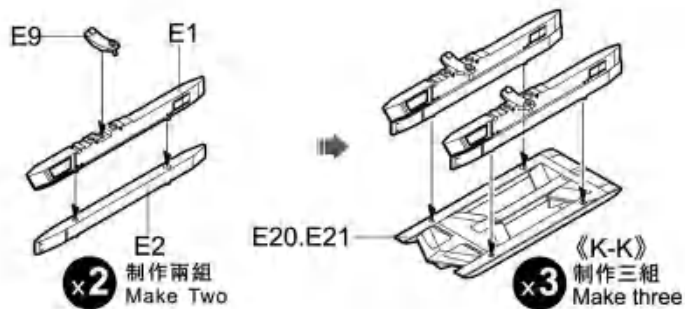
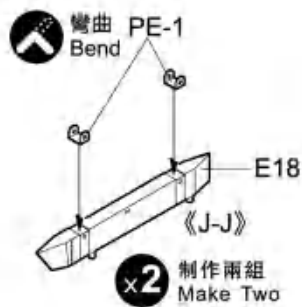
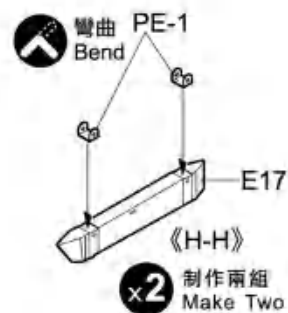
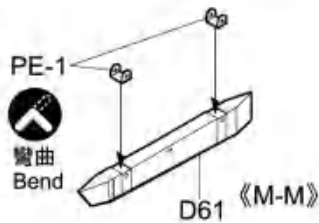
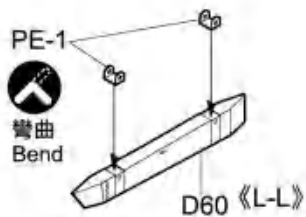
《右起落架》
Right undercarriage

↔
對側相同
Both sides
F41

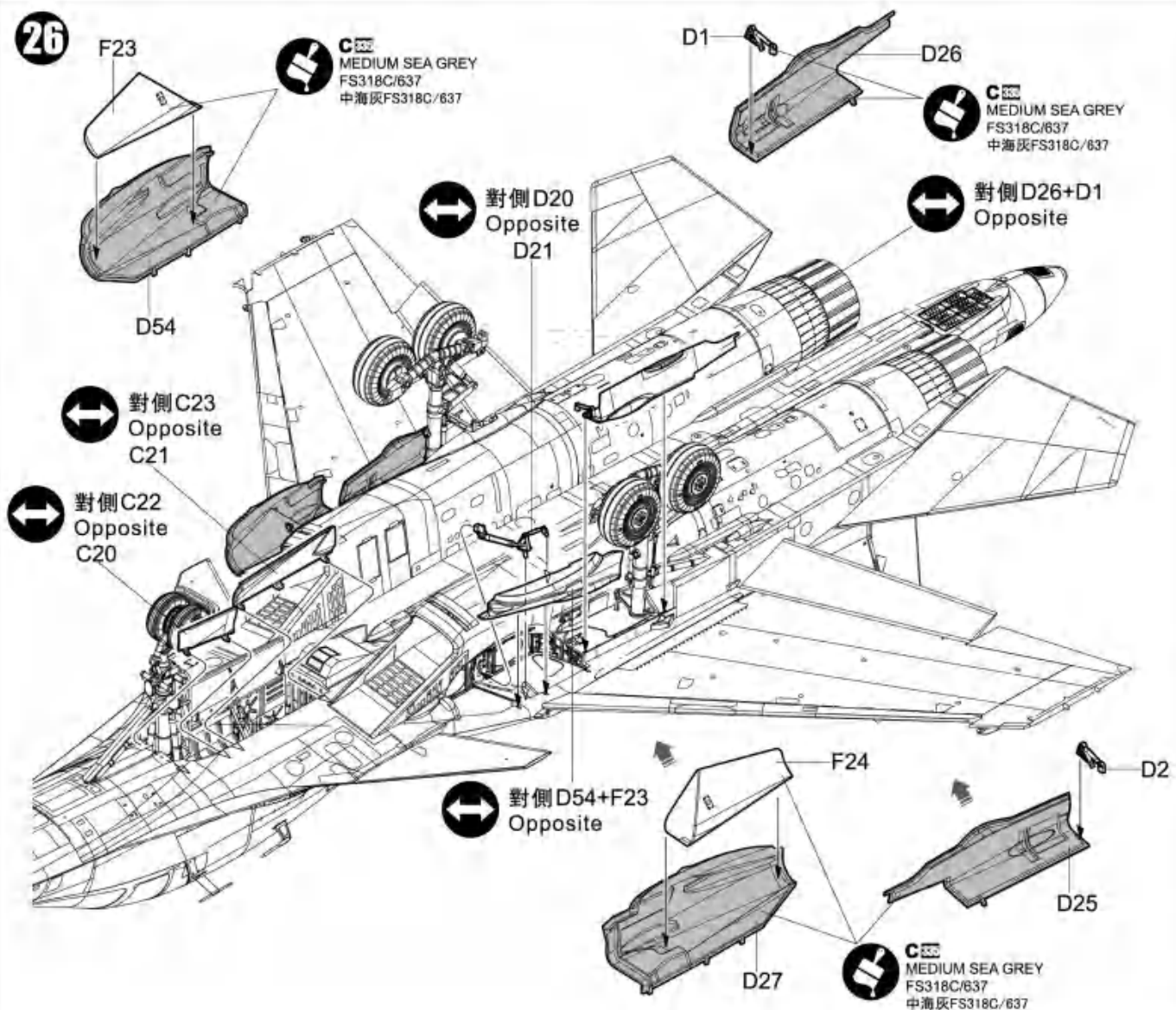
↔
D38
對側D39
Opposite



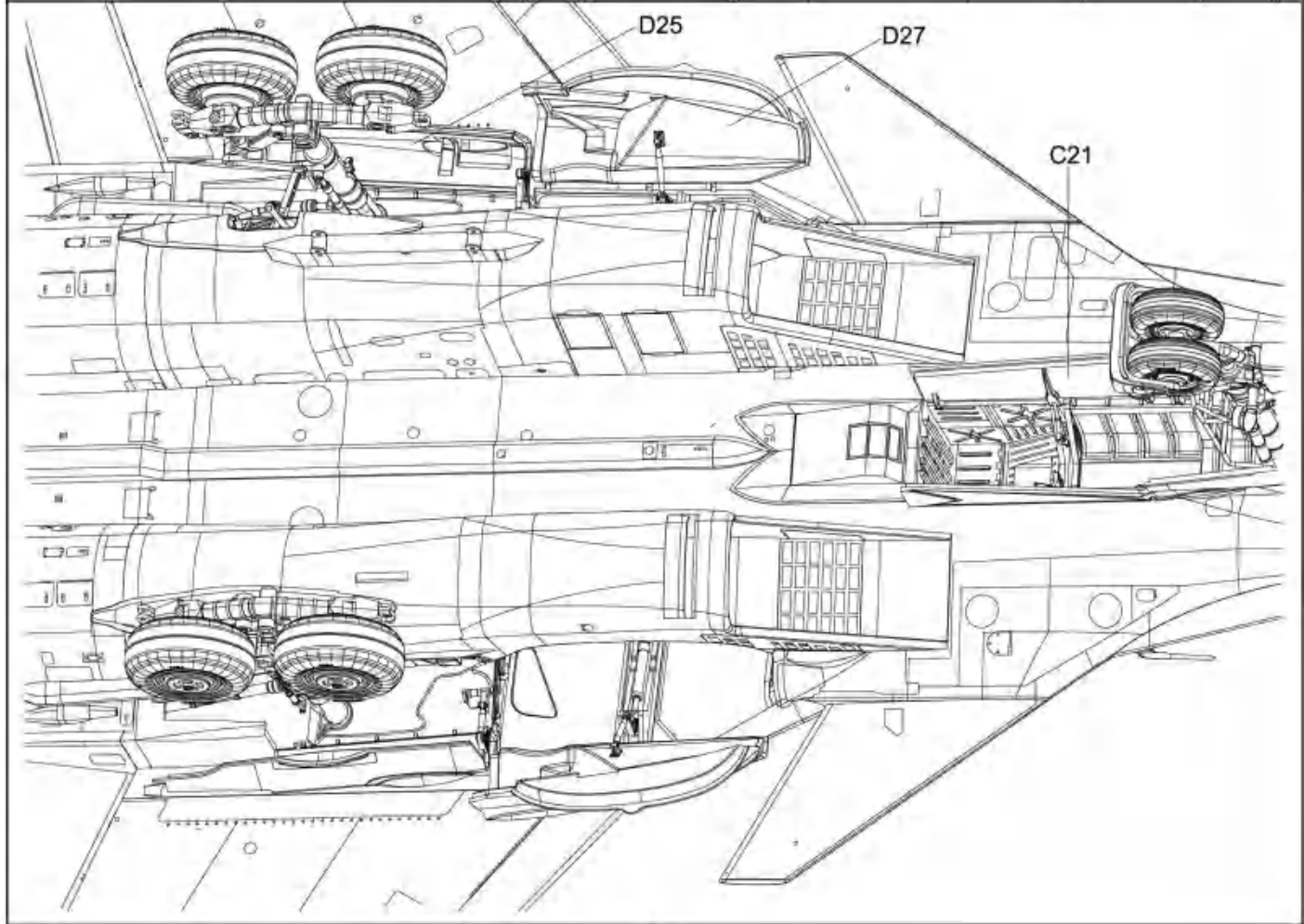
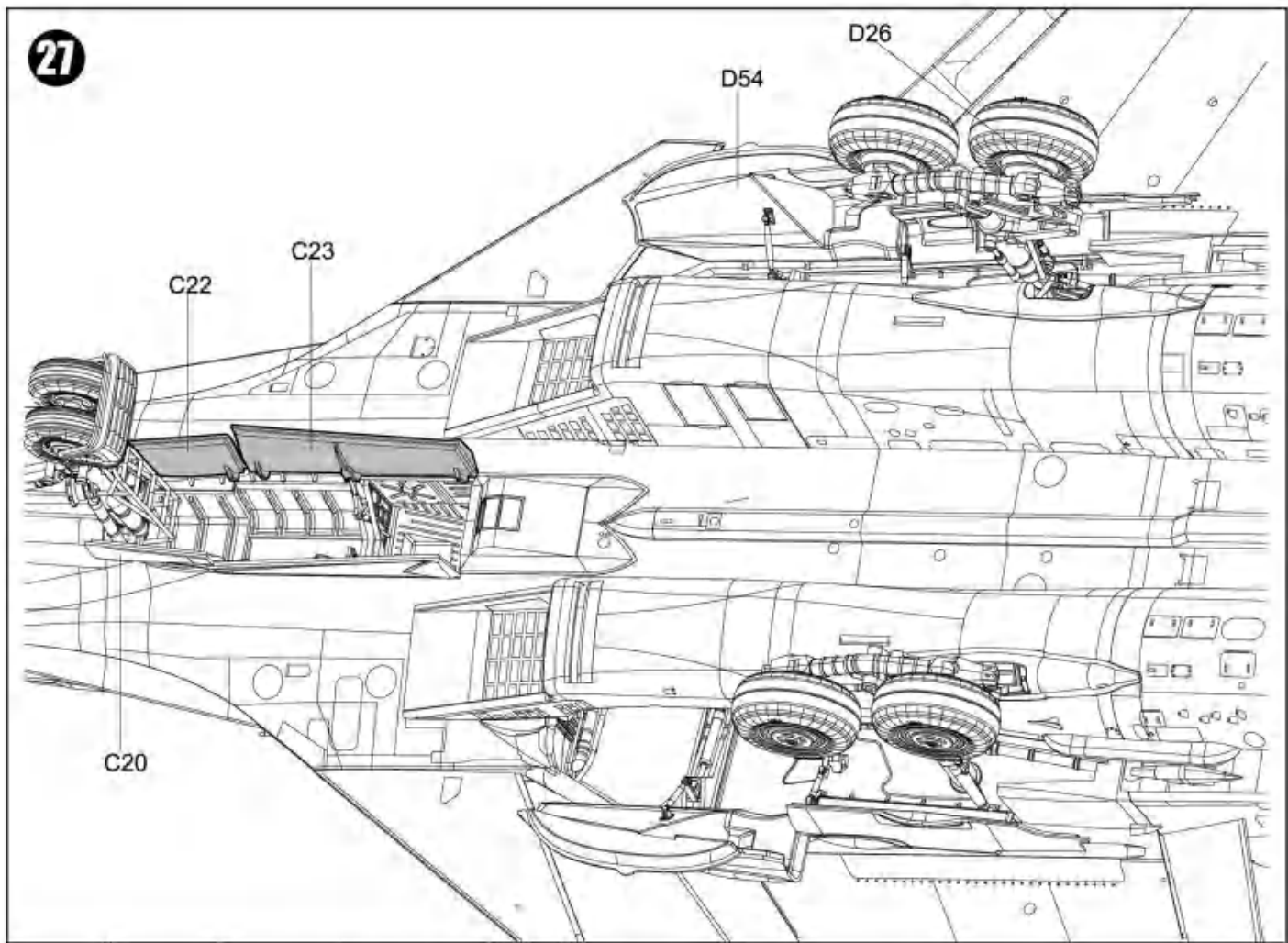
25



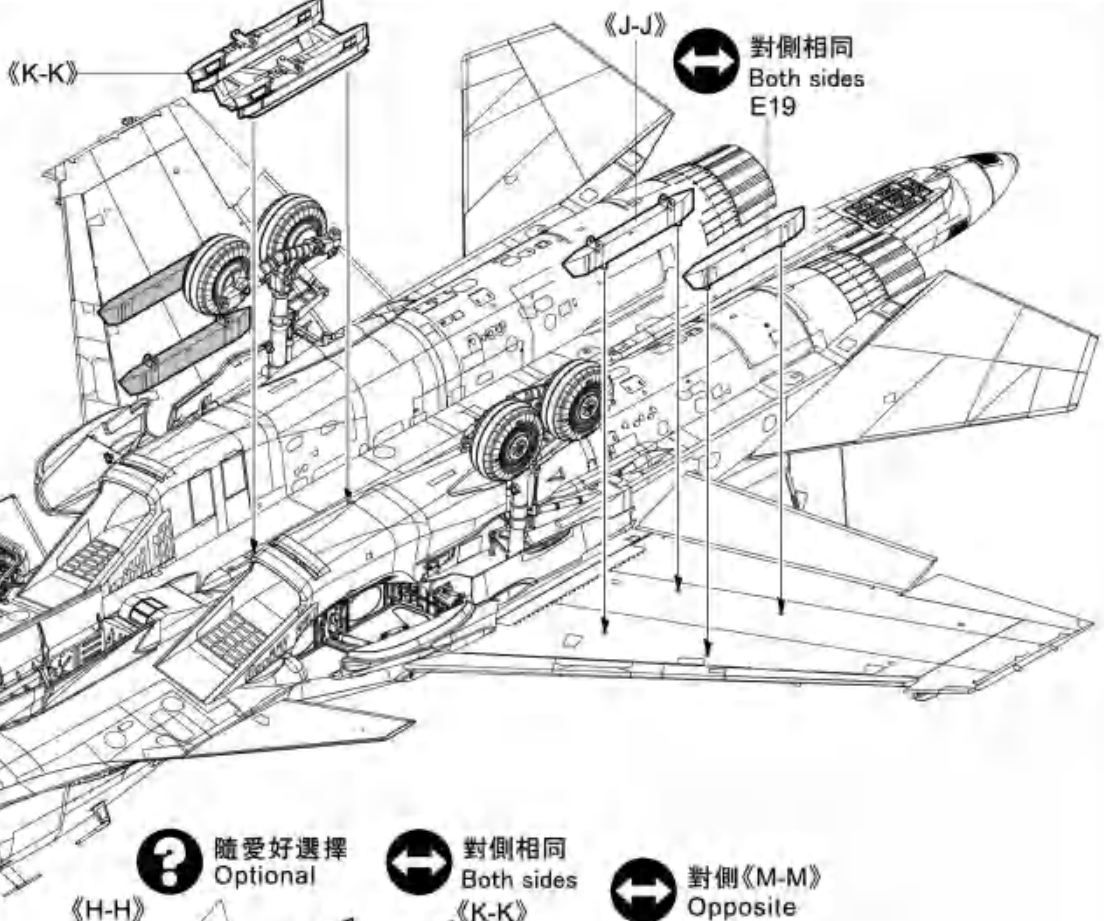
26



27



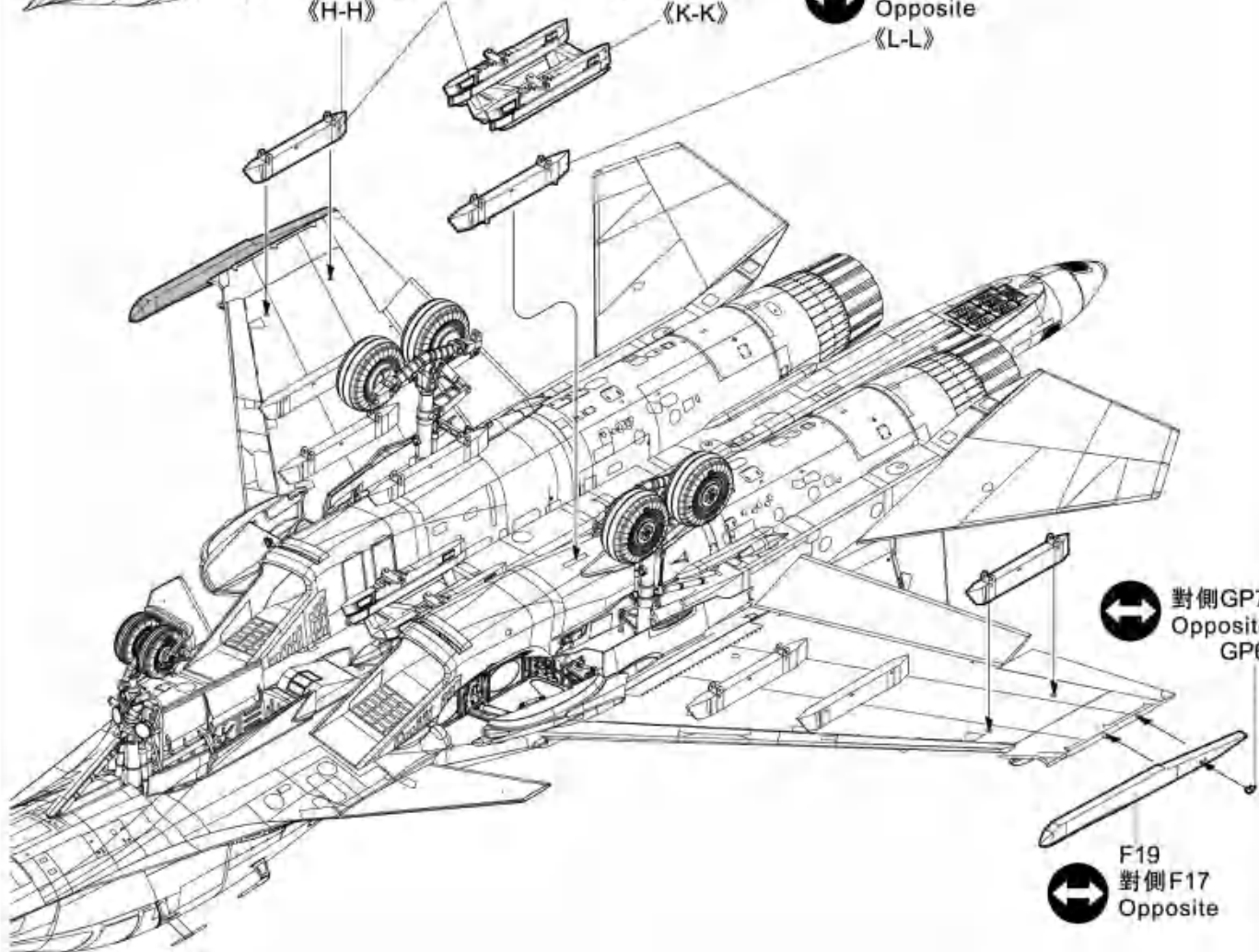
28



? 隨愛好選擇
Optional

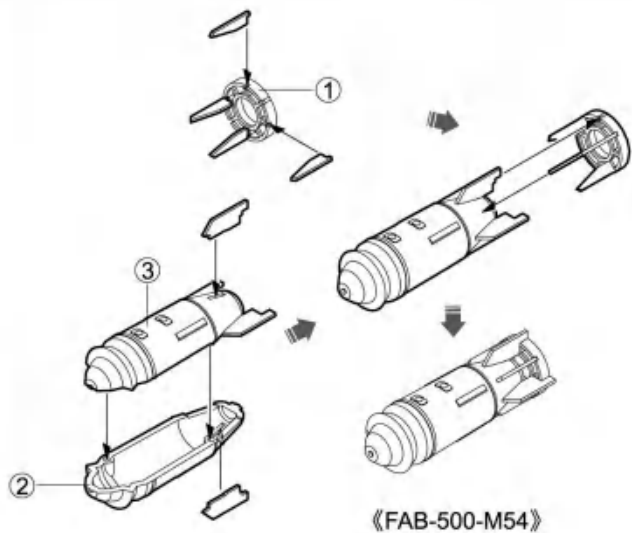
對側相同
Both sides
 $\langle K-K \rangle$

對側 $\langle M-M \rangle$
Opposite
 $\langle L-L \rangle$

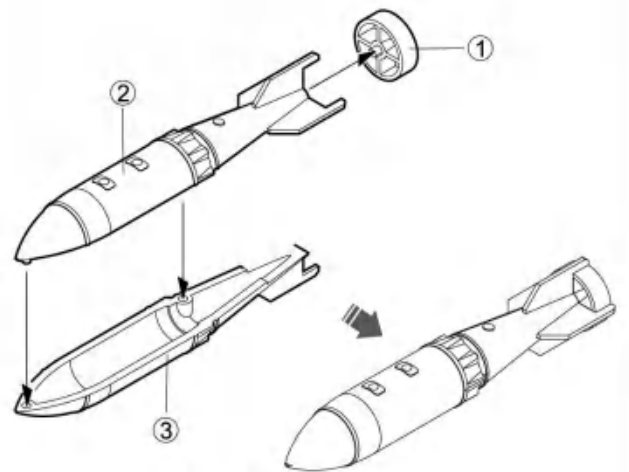


對側 GP7
Opposite
GP6

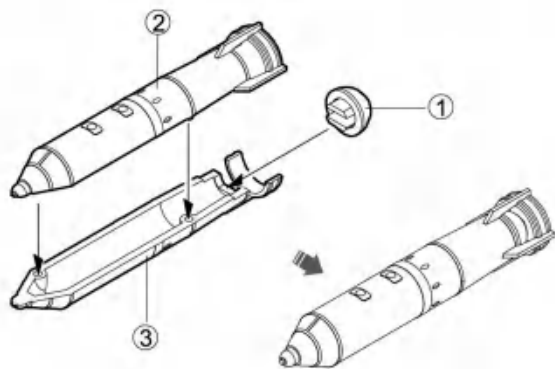
F19
對側 F17
Opposite



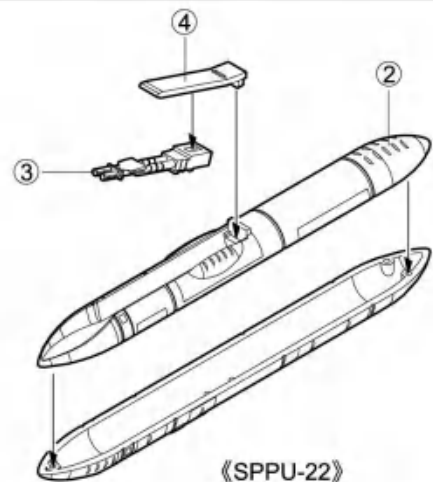
《FAB-500-M54》



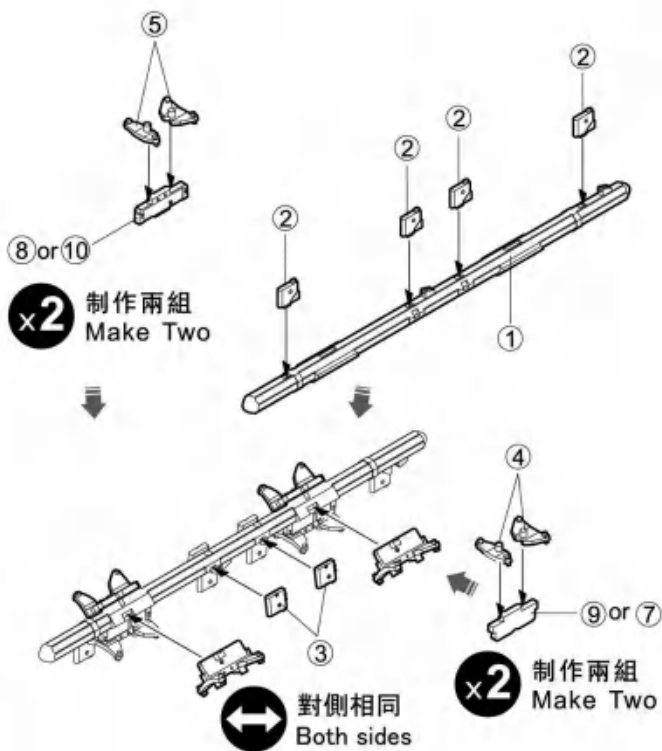
《BETAB-500》



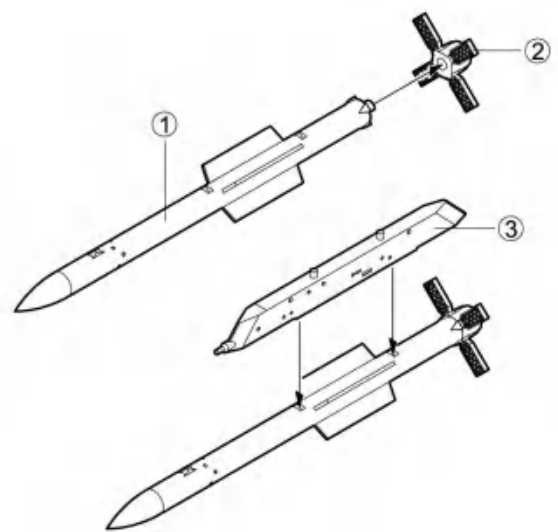
《OFAB-250-SZN》



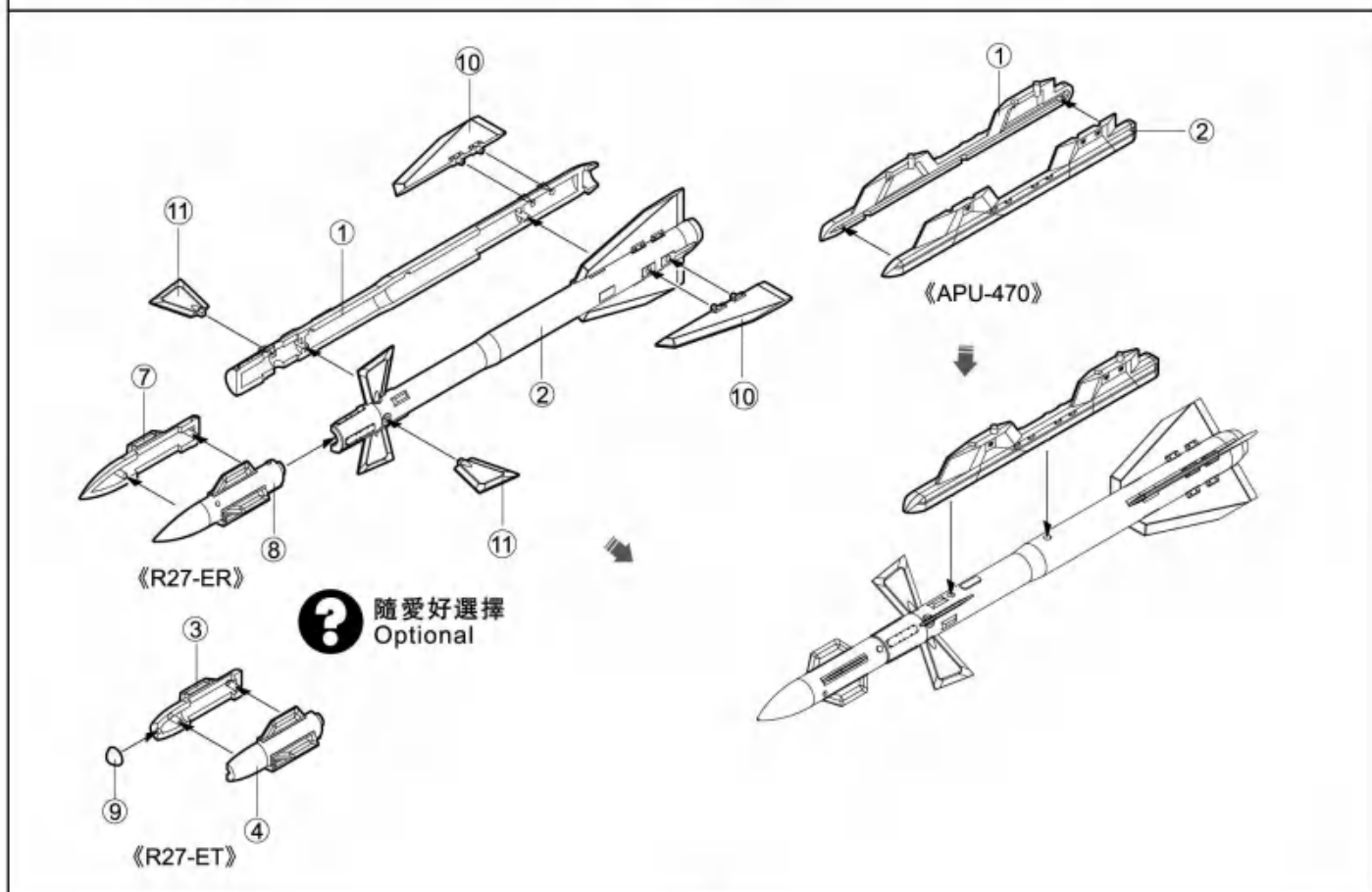
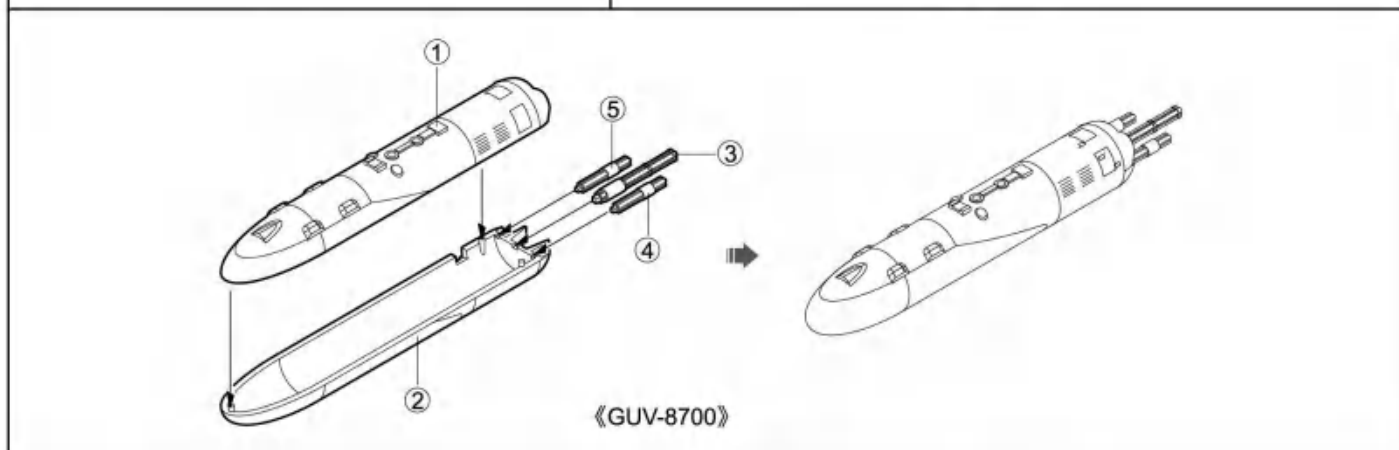
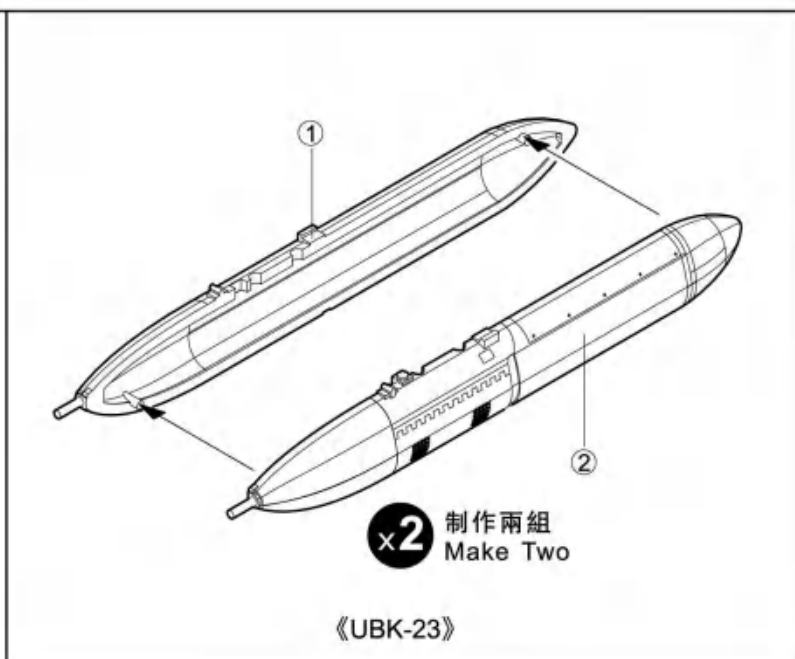
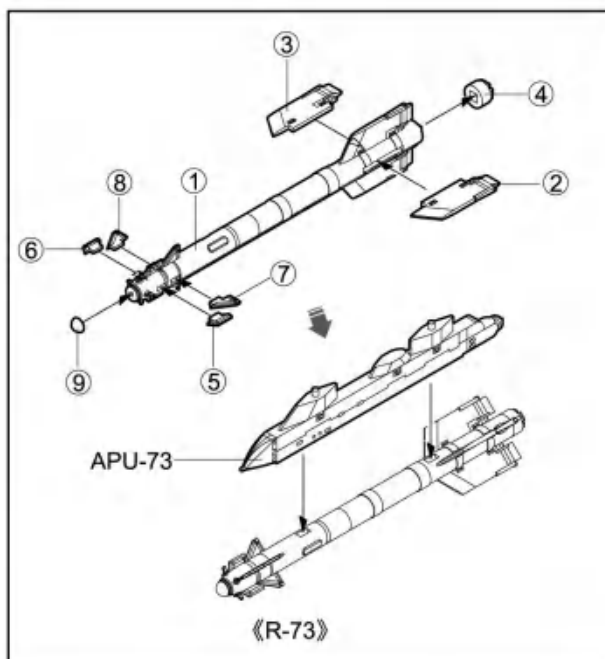
《SPPU-22》

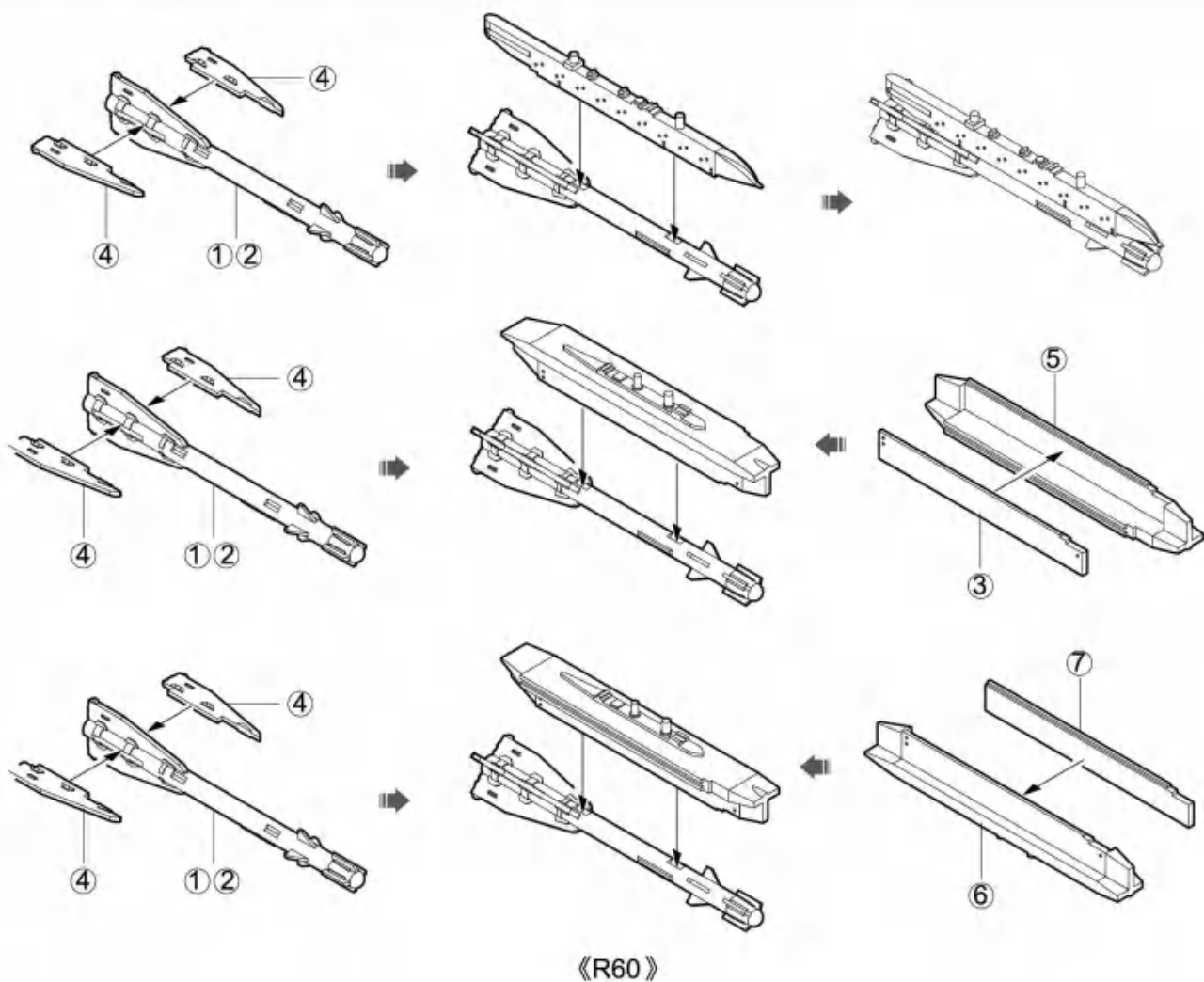
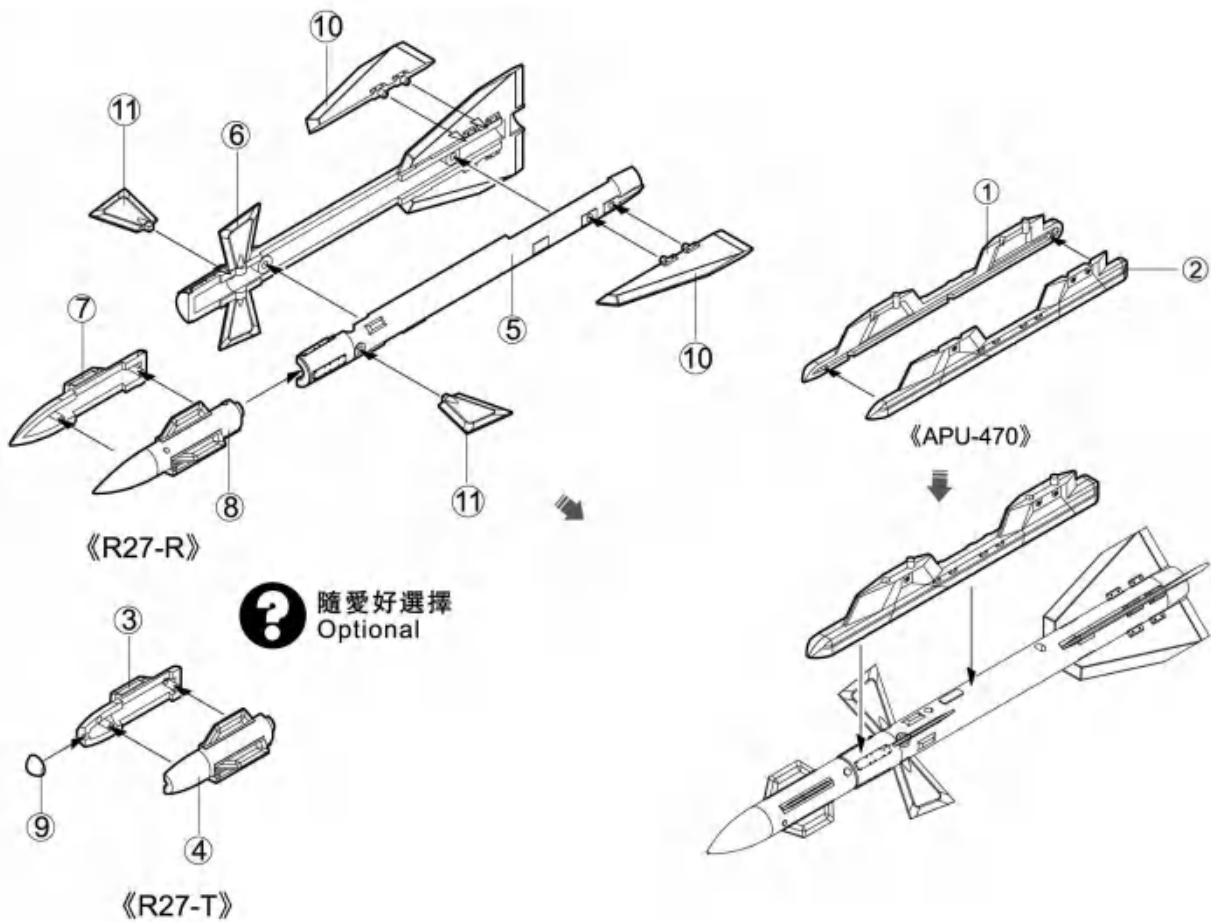


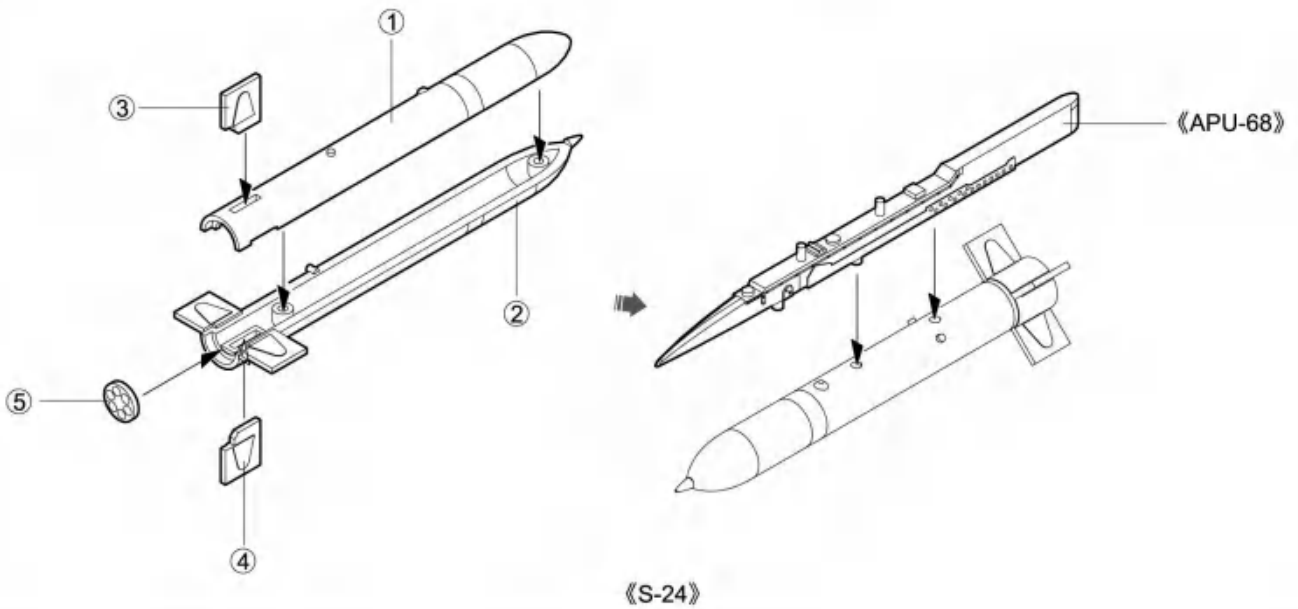
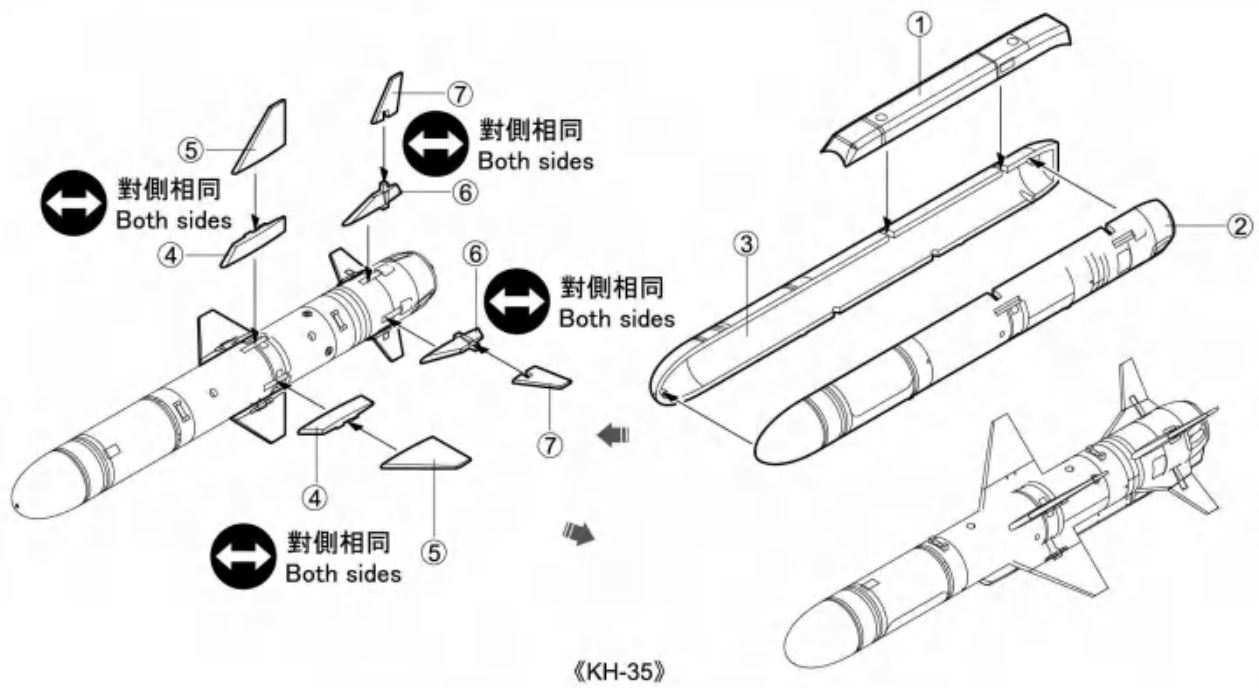
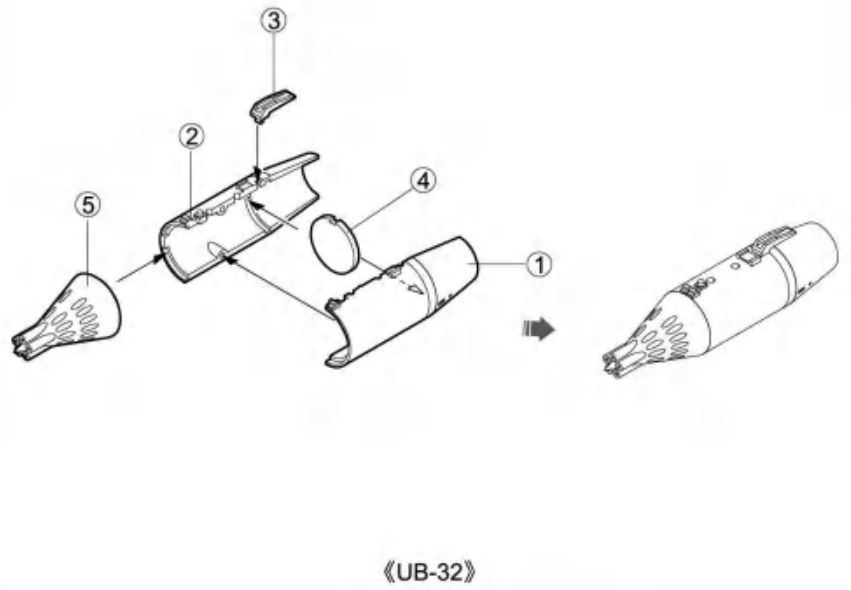
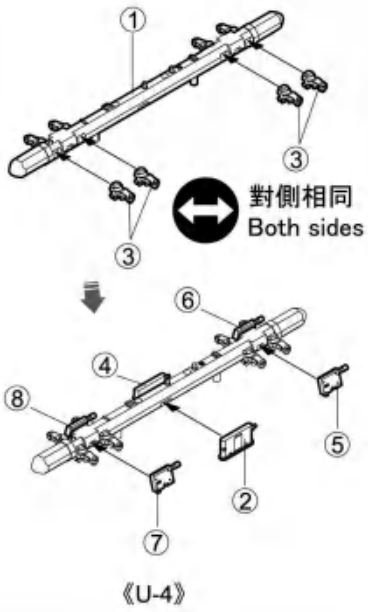
《U-6》

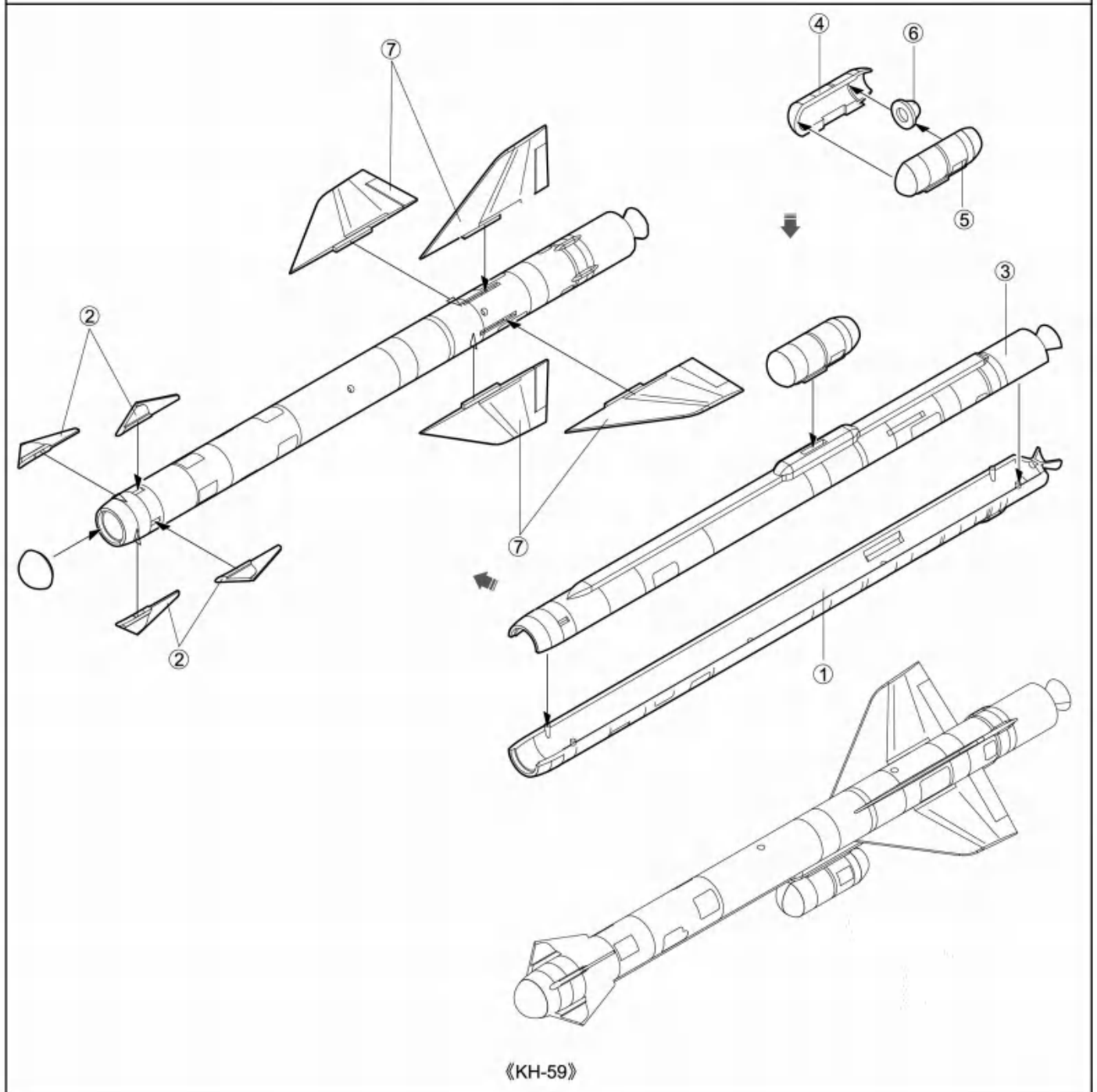
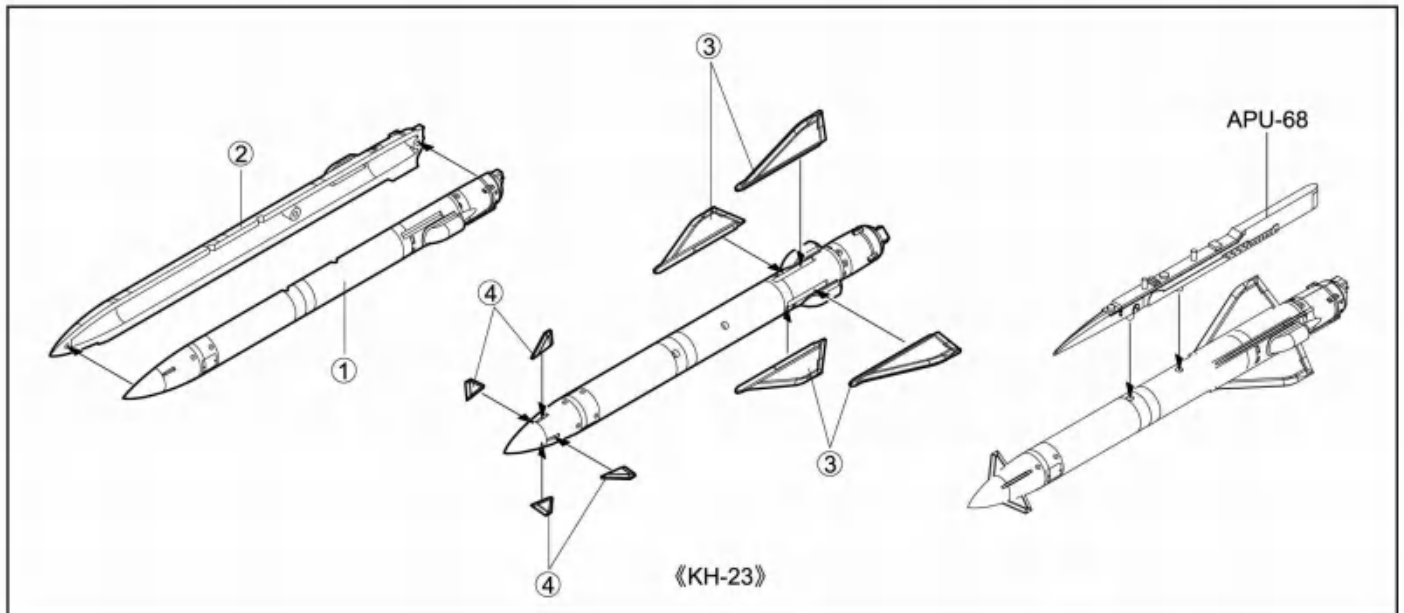


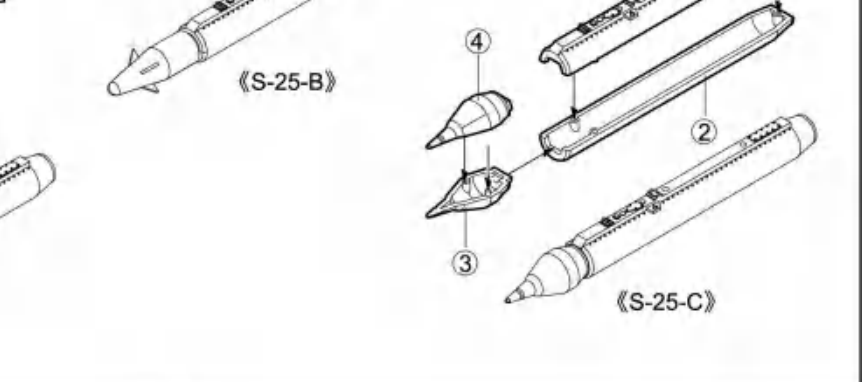
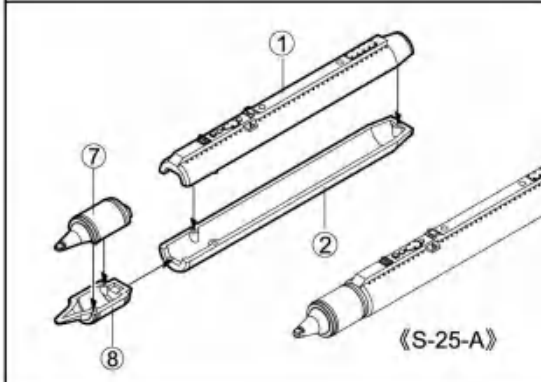
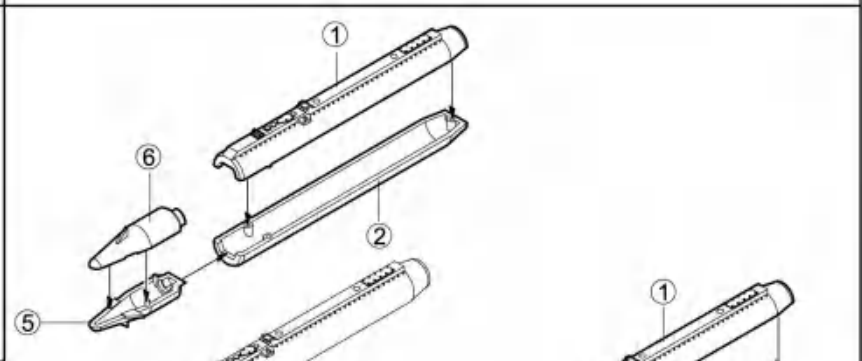
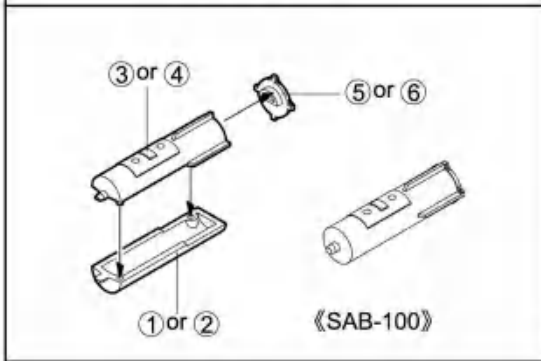
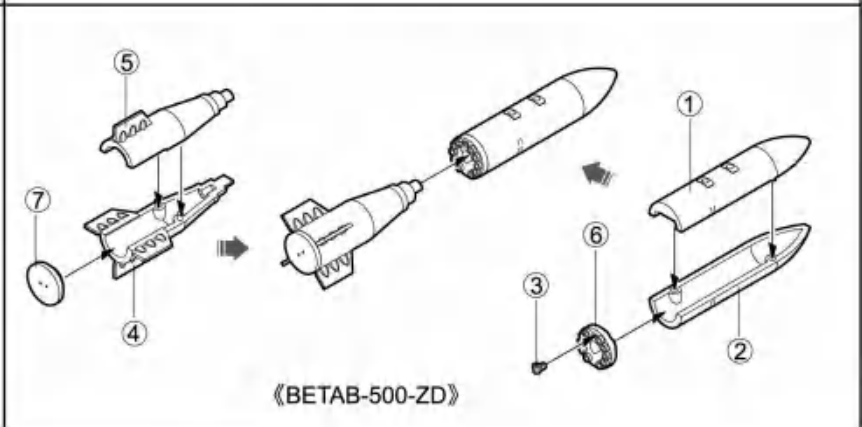
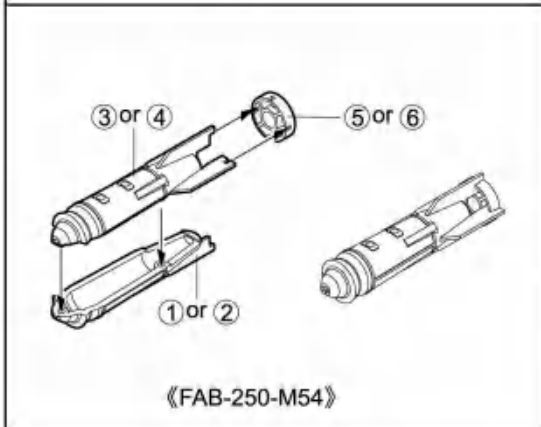
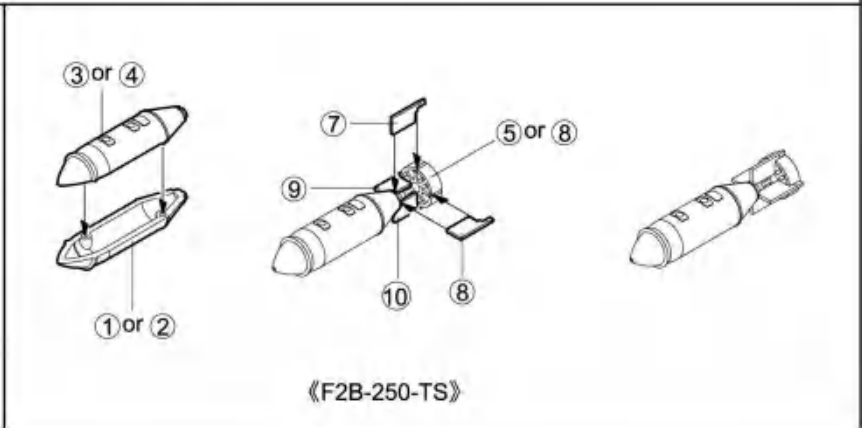
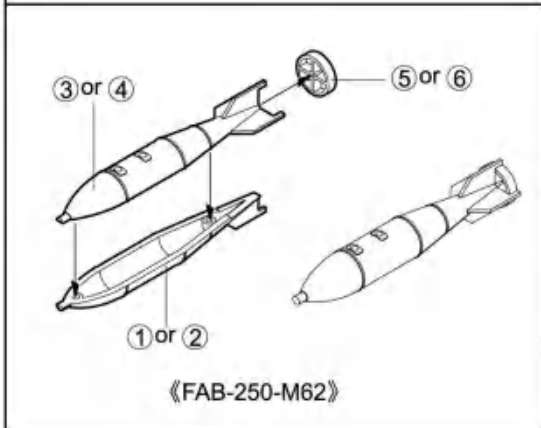
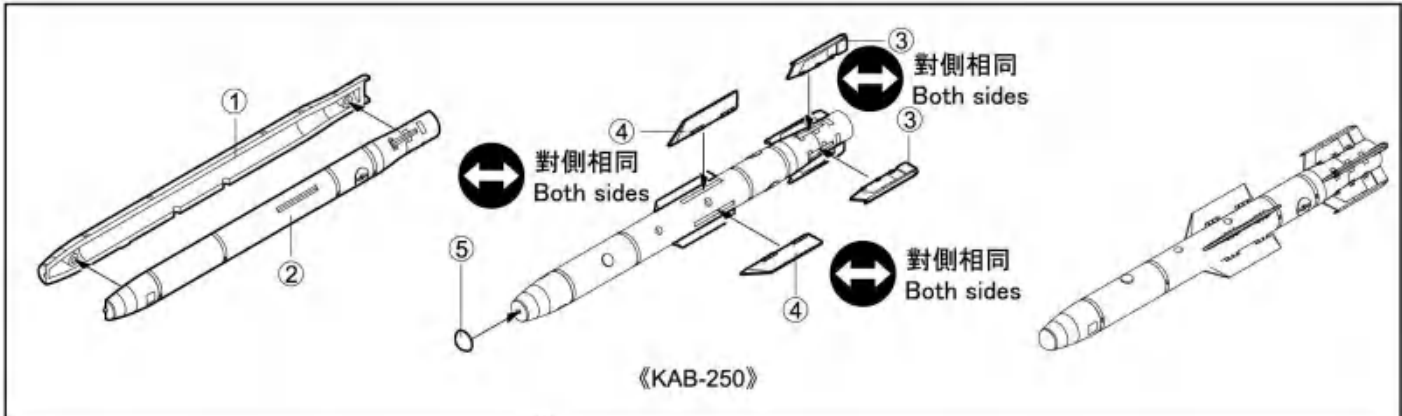
《R-77》

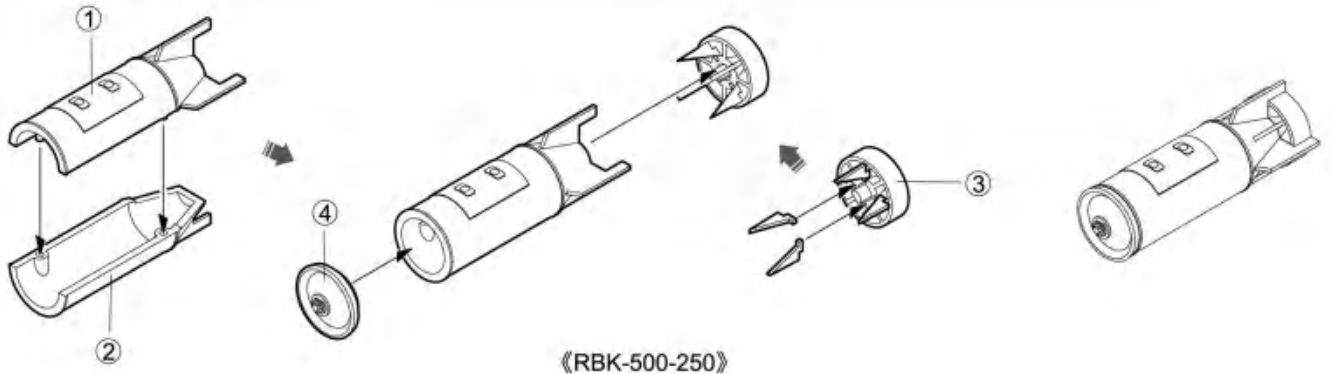




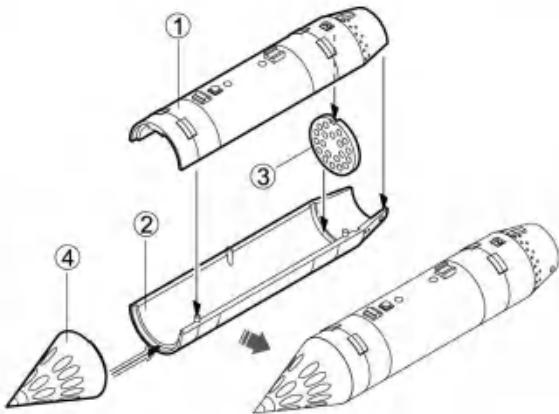




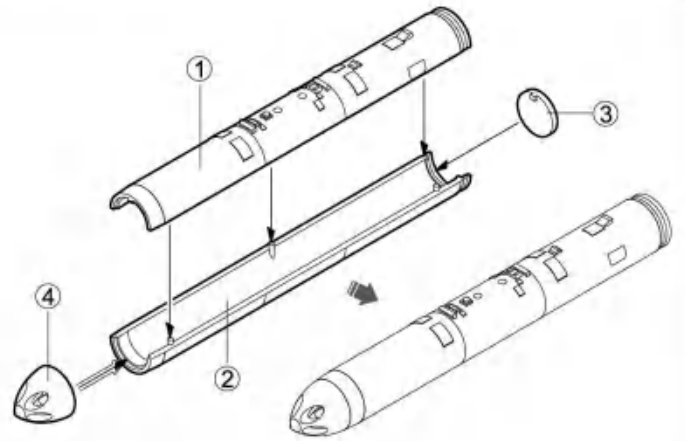




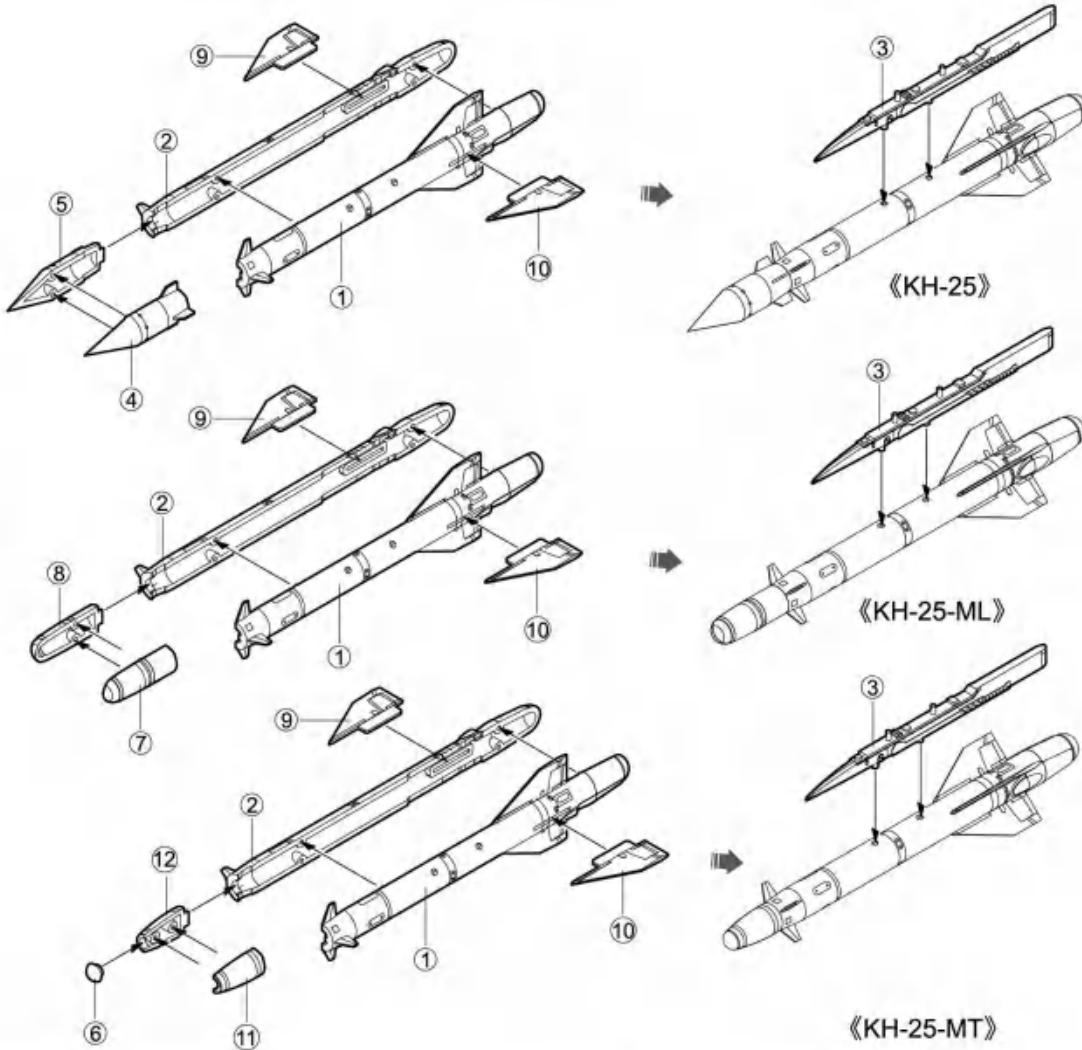
《RBK-500-250》



《B-8M》



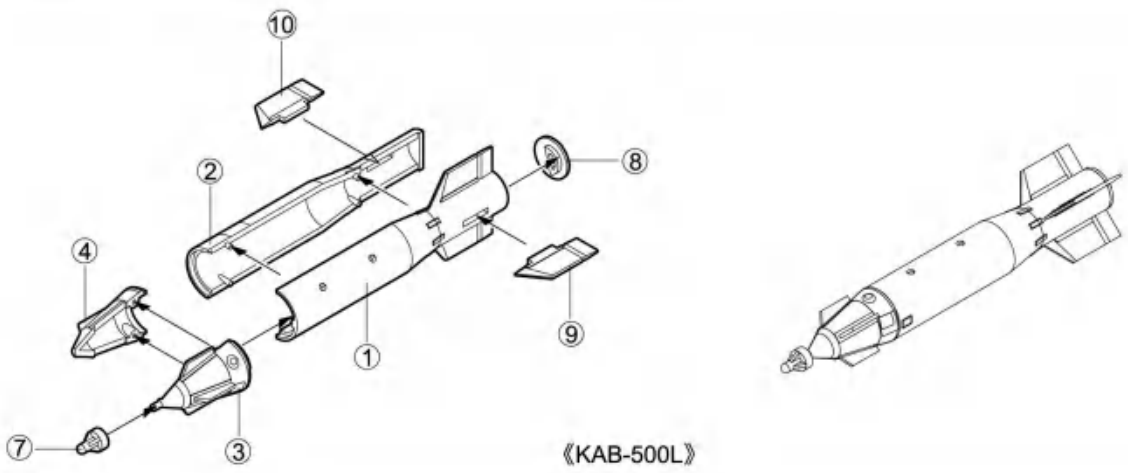
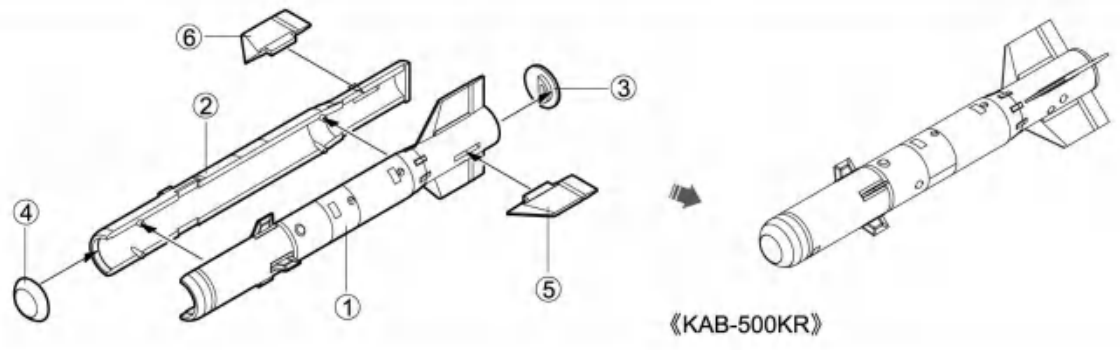
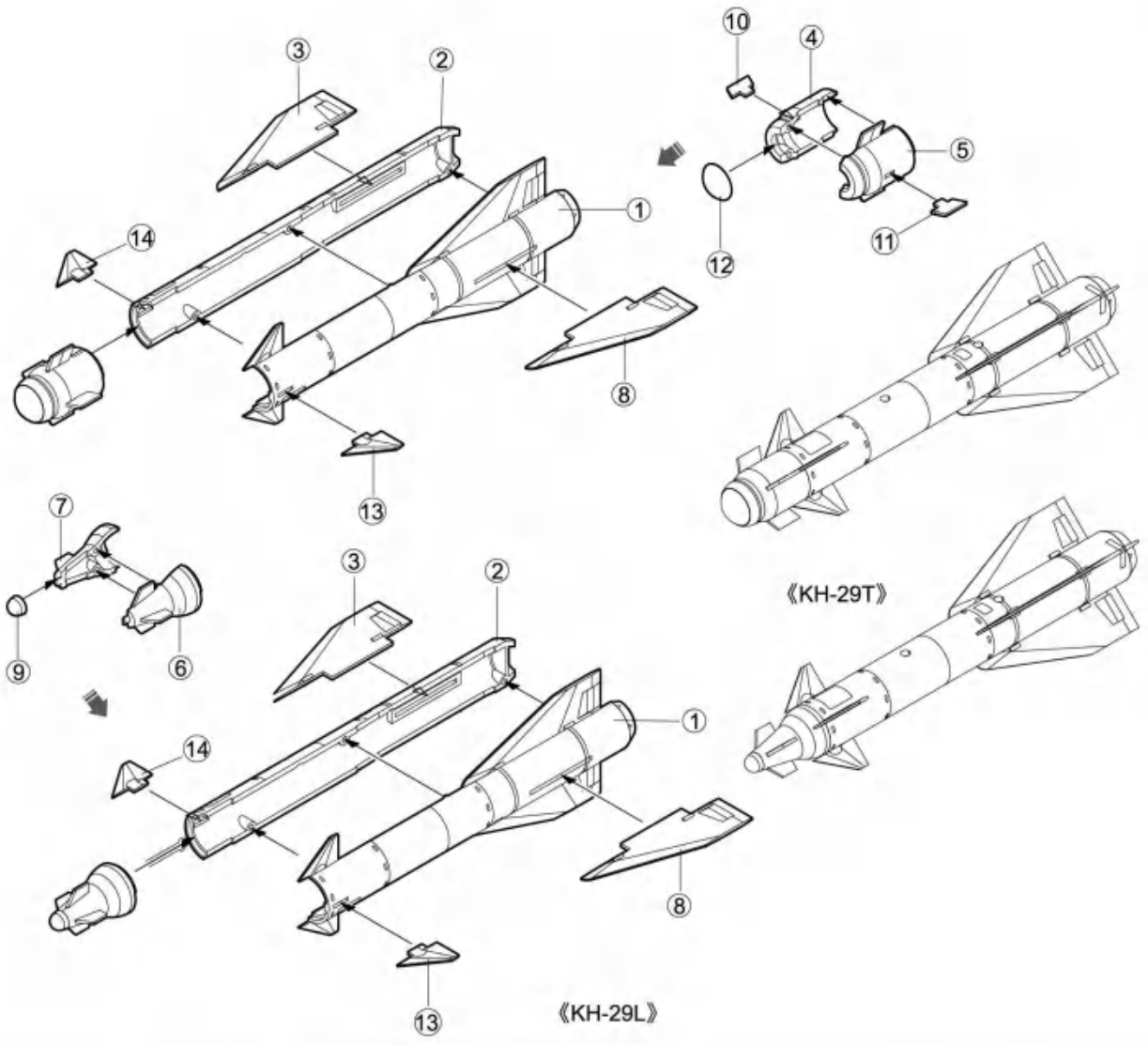
《B-13》

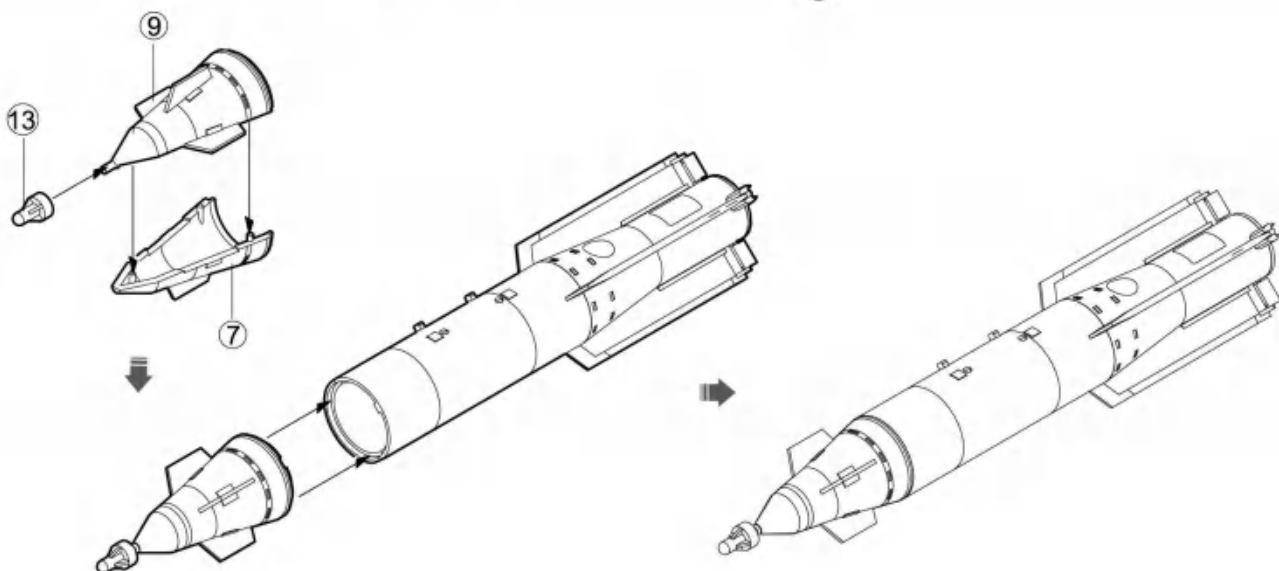
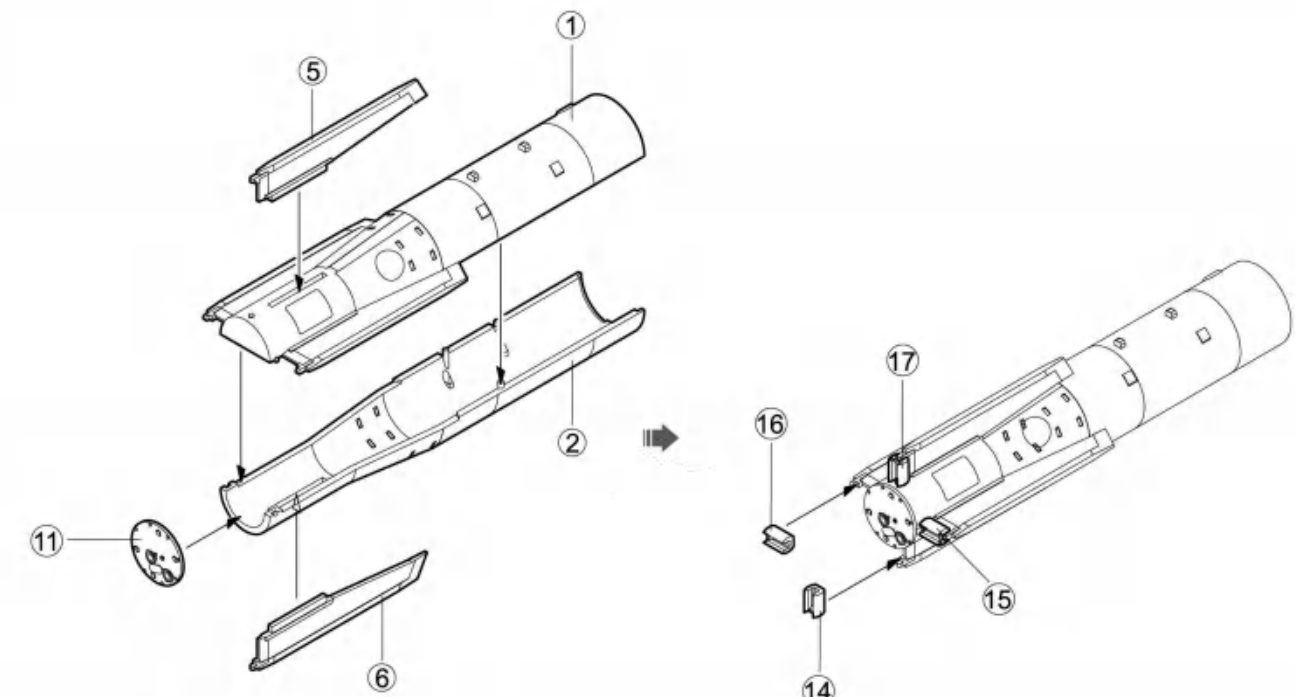


《KH-25》

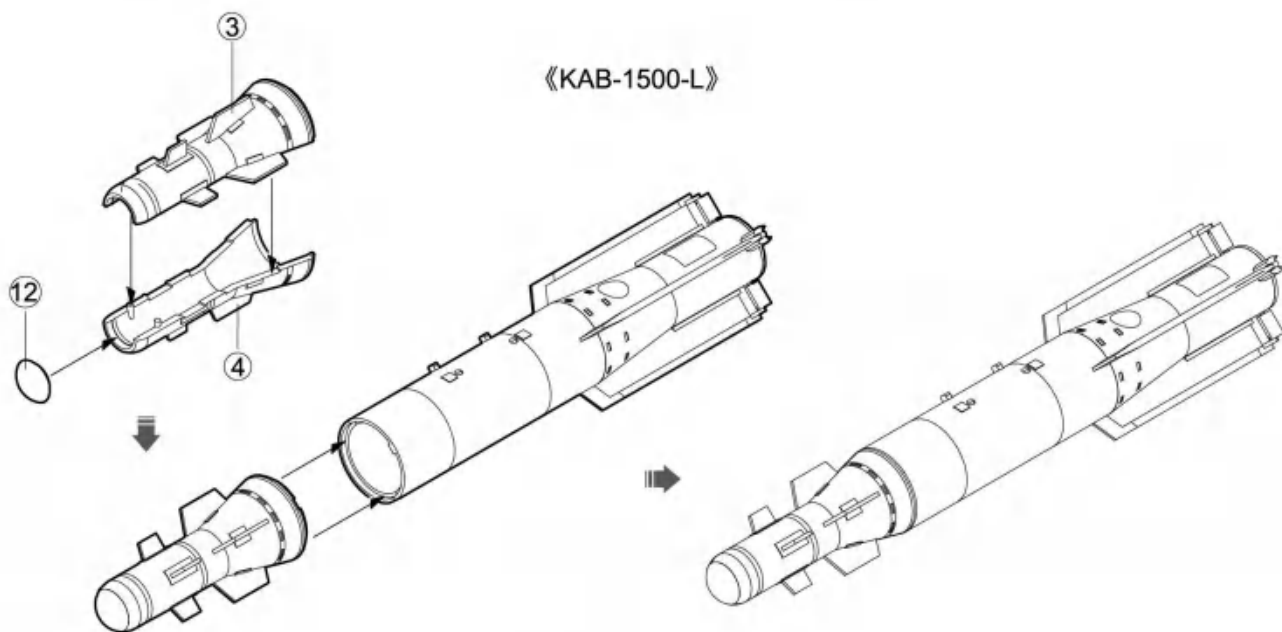
《KH-25-ML》

《KH-25-MT》

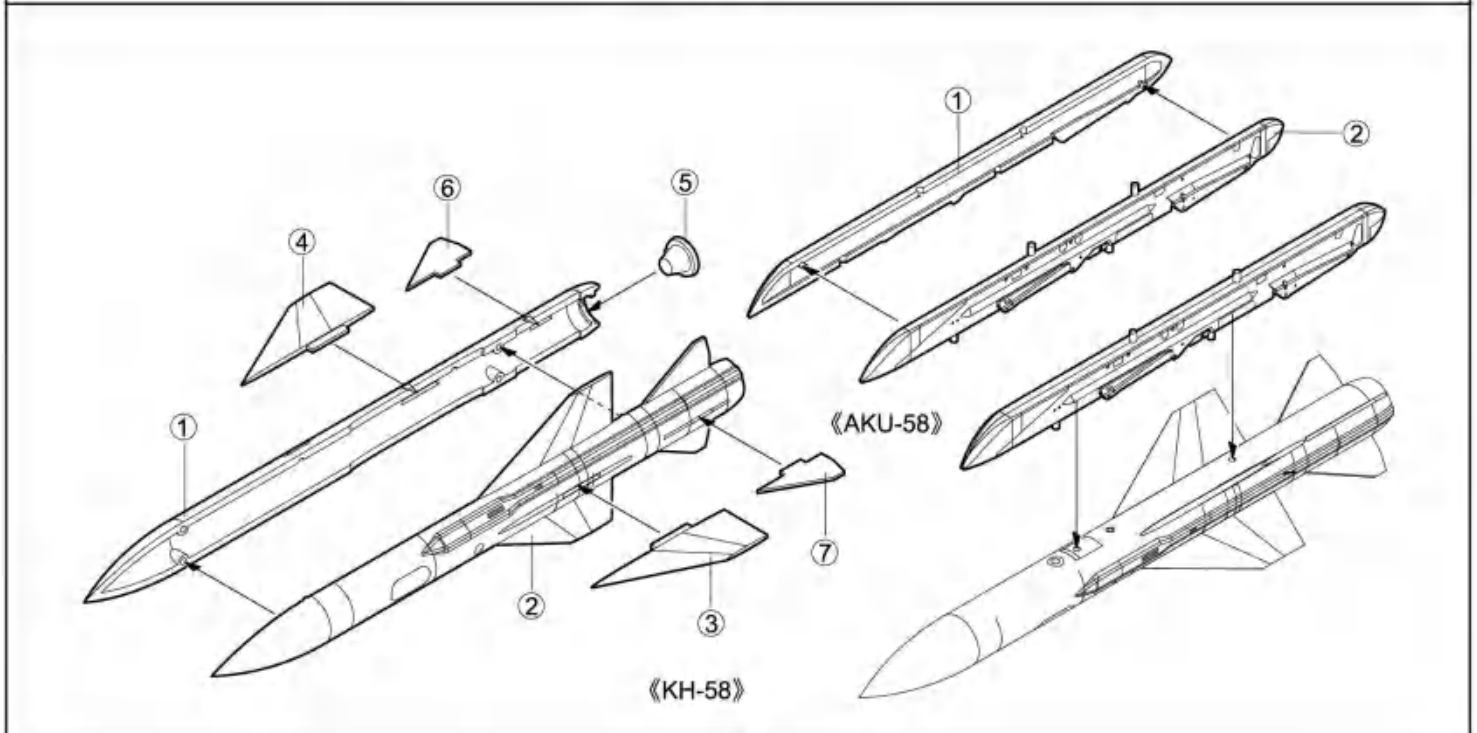
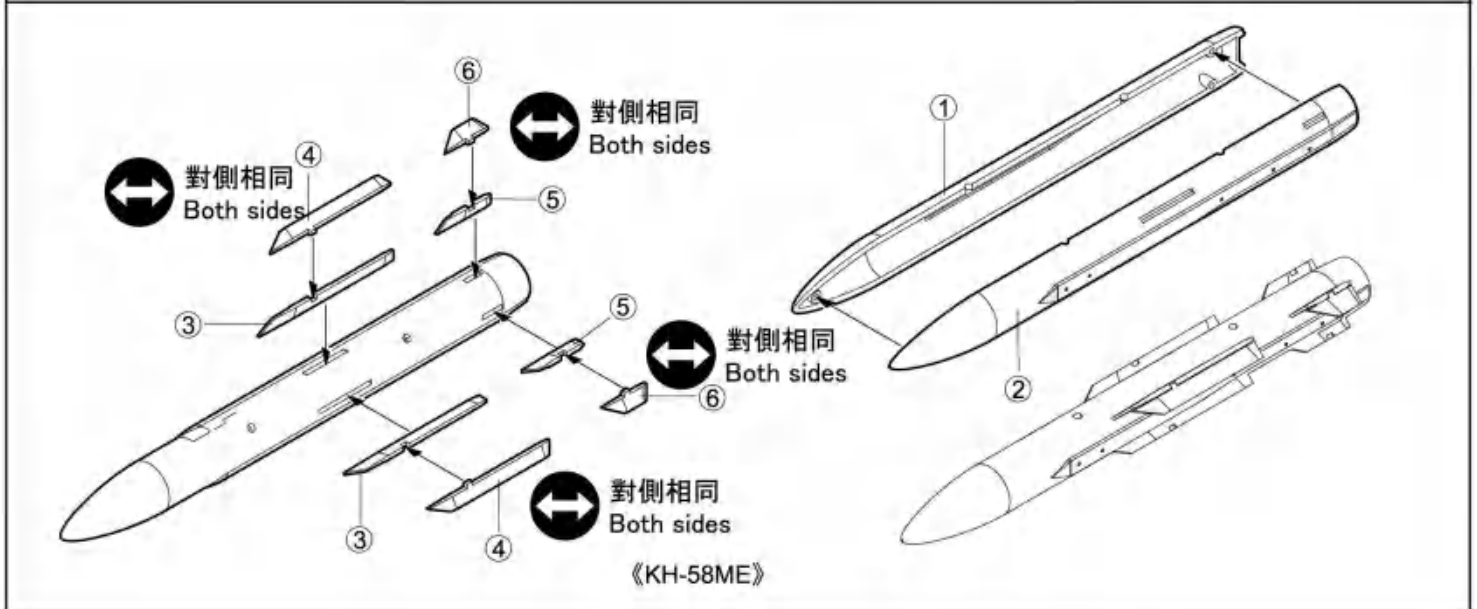
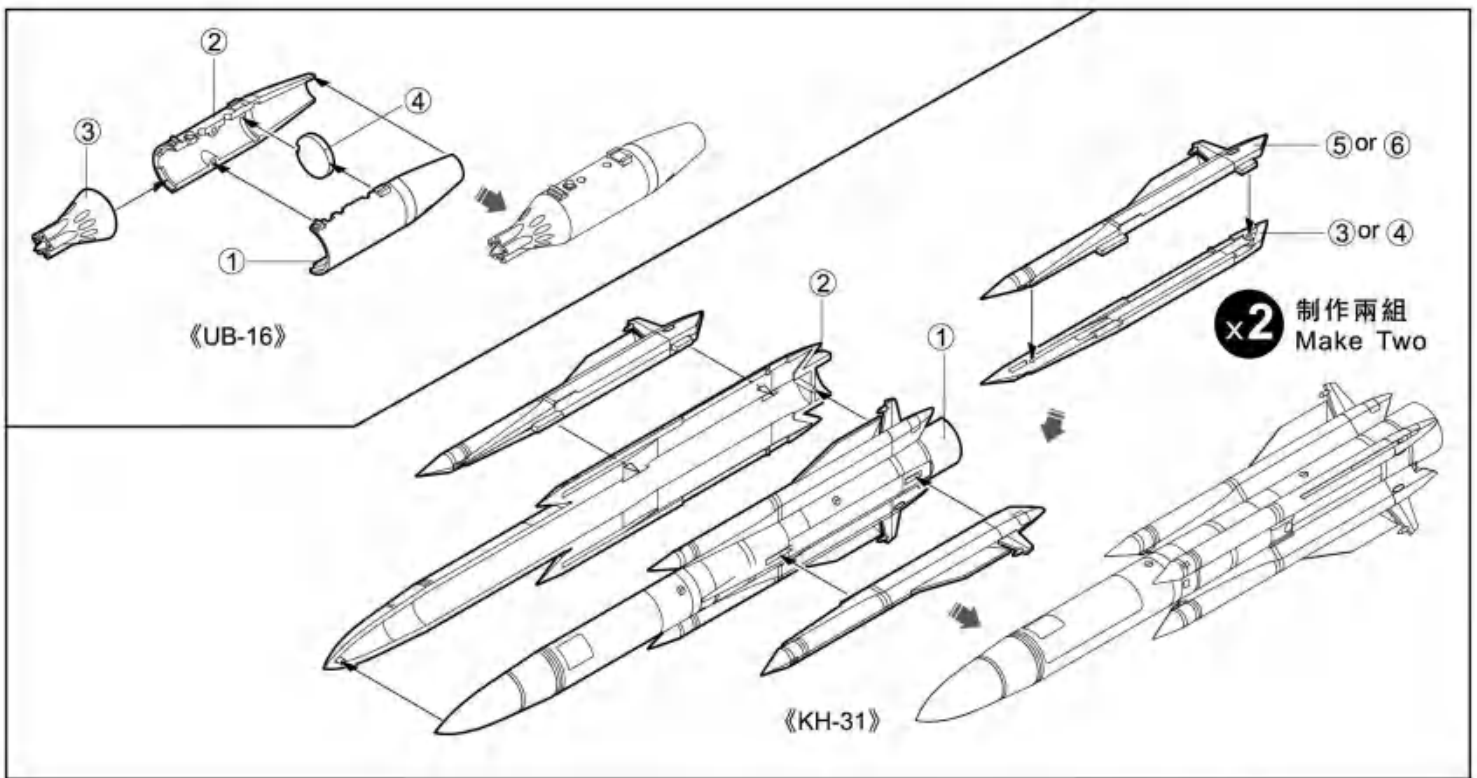


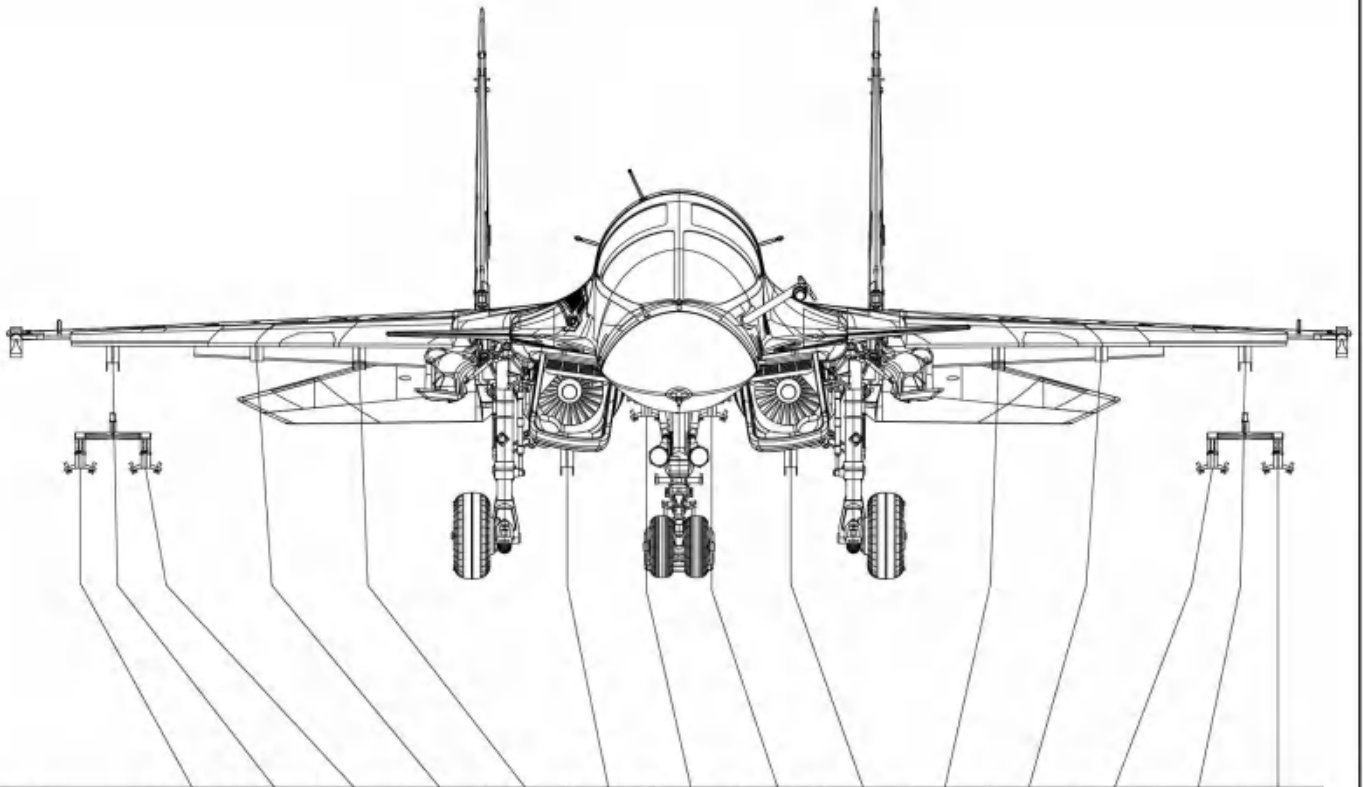


《KAB-1500-L》

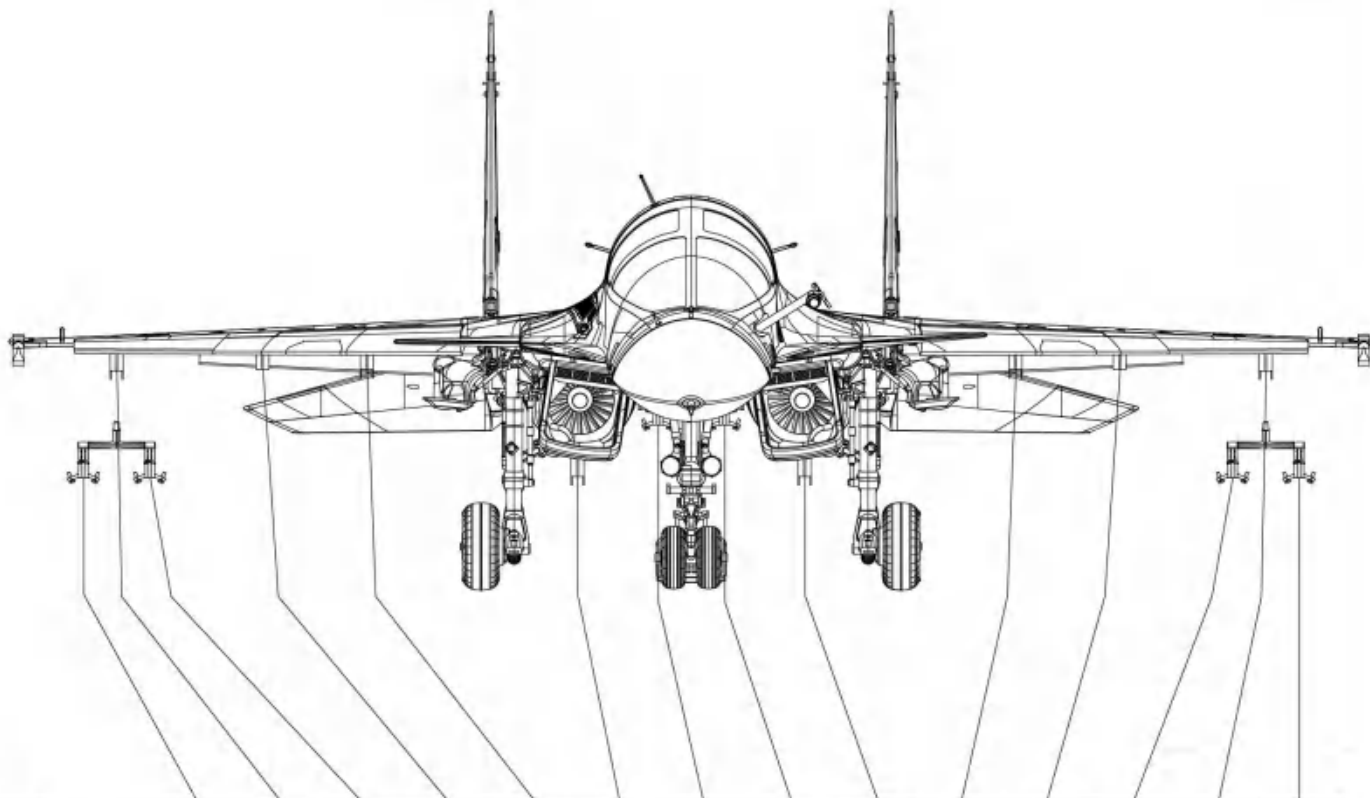


《KAB-1500-KR》





Sta.No Missile	1	2	3	4	5	6	7	8	9	10	11	12	13	14
《FAB-500-M54》				●	●					●	●			
《BETAB-500》				●	●	●			●	●	●			
《OFAB-250-SZN》				●	●					●	●			
《SPPU-22》							●							
《R-77》		●		●							●		●	
《R-73》	●		●	●							●	●		●
《UBK-23》				●							●			
《GUV-8700》							●							
《R27-ER》				●	●	●	●	●	●	●	●			
《R27-ET》				●	●	●	●	●	●	●	●			
《R60》		●											●	
《UB-32》				●							●			
《KH-35》				●	●	●			●	●	●			
《S-24》		●											●	
《KH-23》				●	●	●			●	●	●			
《KH-59》					●					●				
《KAB-250》				●	●	●			●	●	●			
《FAB-250-M62》				●	●					●	●			
《F2B-250-TS》				●	●					●	●			
《FAB-250-M54》				●	●					●	●			
《BETAB-500-ZD》					●					●				

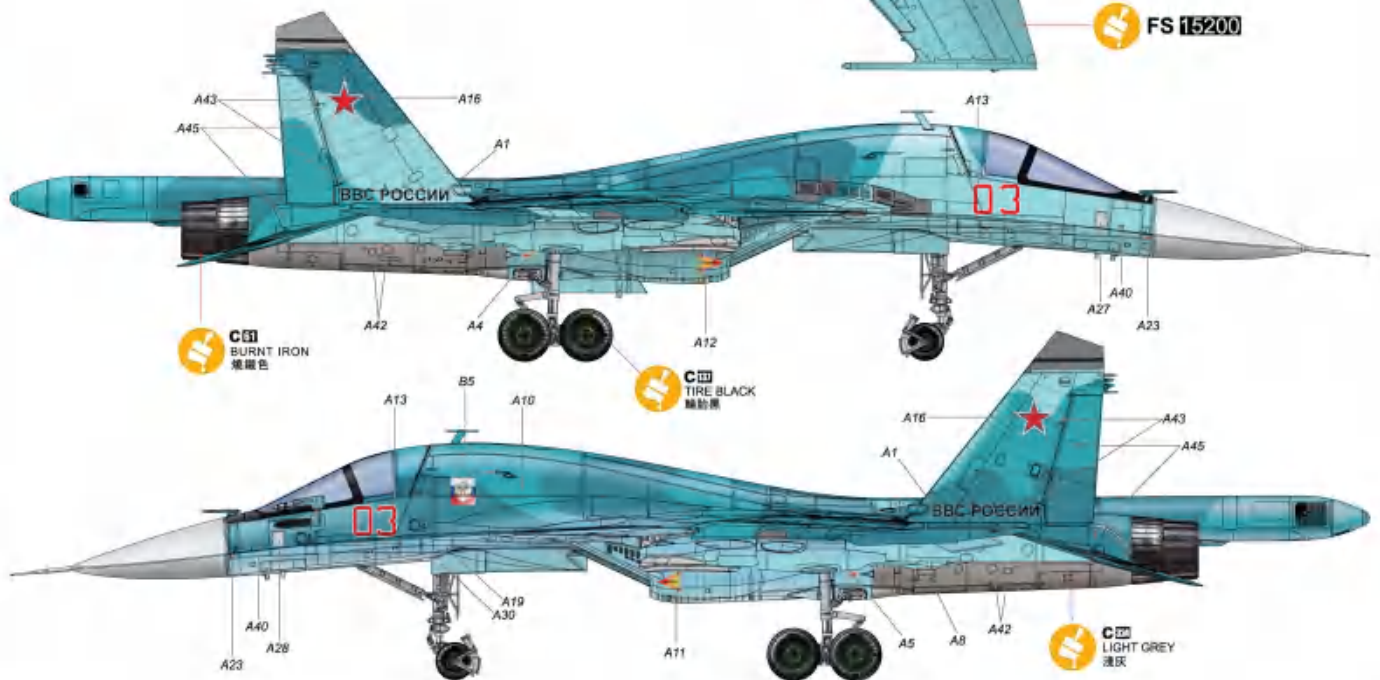


Sta.No Missile	1	2	3	4	5	6	7	8	9	10	11	12	13	14
《SAB-100》		●											●	
《S-25-A》				●							●			
《S-25-B》				●							●			
《S-25-C》				●							●			
《RBK-500-250》				●	●	●			●	●	●			
《B-8M》				●							●			
《B-13》				●							●			
《KH-25》				●	●	●			●	●	●			
《KH-25-ML》				●	●	●			●	●	●			
《KH-25-MT》				●	●	●			●	●	●			
《KH-29T》				●	●	●			●	●	●			
《KH-29L》				●	●	●			●	●	●			
《KAB-500KR》				●	●	●			●	●	●			
《KAB-500L》				●	●	●			●	●	●			
《KAB-1500-L》					●		●			●				
《KAB-1500-KR》					●		●			●				
《UB-16》		●											●	
《KH-31》				●	●	●			●	●	●			
《KH-58ME》				●	●	●			●	●	●			
《KH-58》				●	●	●			●	●	●			

19



20



Painting & marking Guide

塗裝與標記

Russian Aerospace Defence Forces Su-34

21



C1
SILVER
銀色

85%

C2
PROPELLER COLOR + 15%
螺旋槳色

C3
RLM 75 GREY
RLM 75 灰

C4
STAINLESS
不銹鋼色

C5
GLOSS WHITE FS17875
光澤白 FS17875

C6
FS 15200

22



C7
BURNT IRON
燒鐵色

C8
TIRE BLACK
輪胎黑

C9
LIGHT GREY
淺灰

Painting & marking Guide

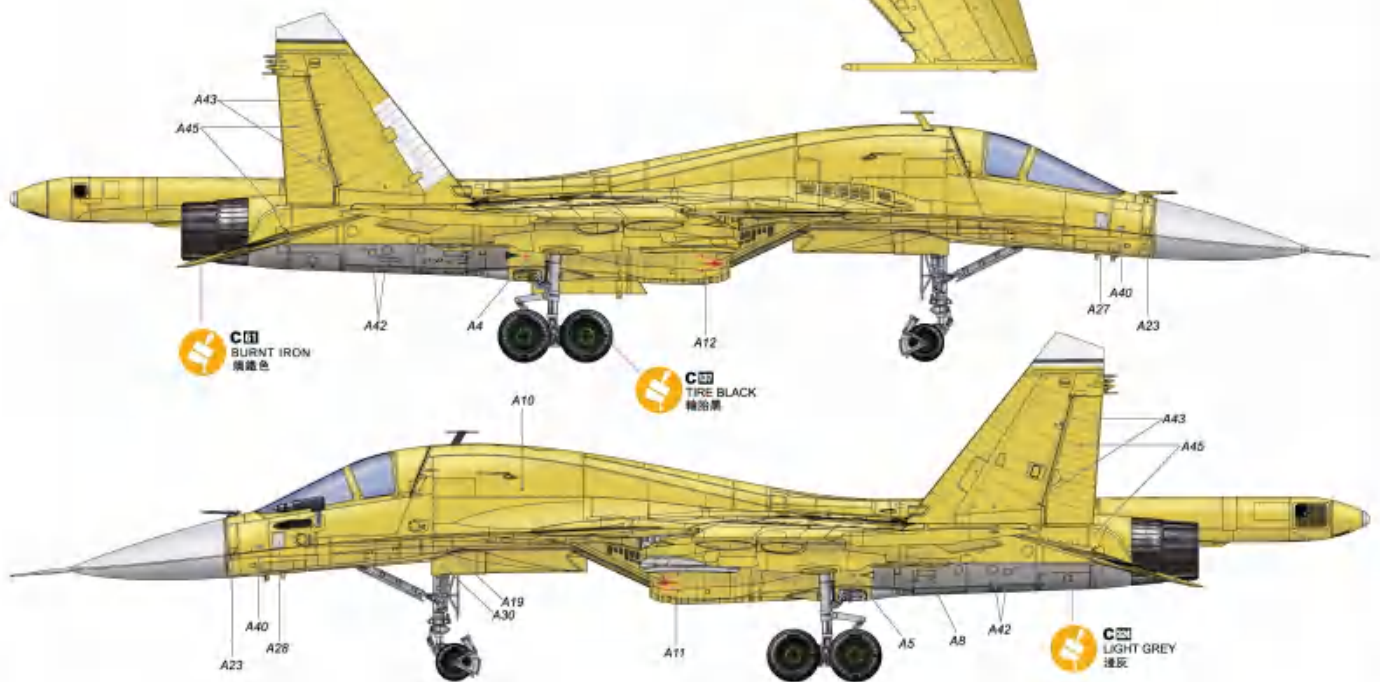
塗裝與水貼

Russian Aerospace Defence Forces Su-34

23



24



Painting & marking Guide

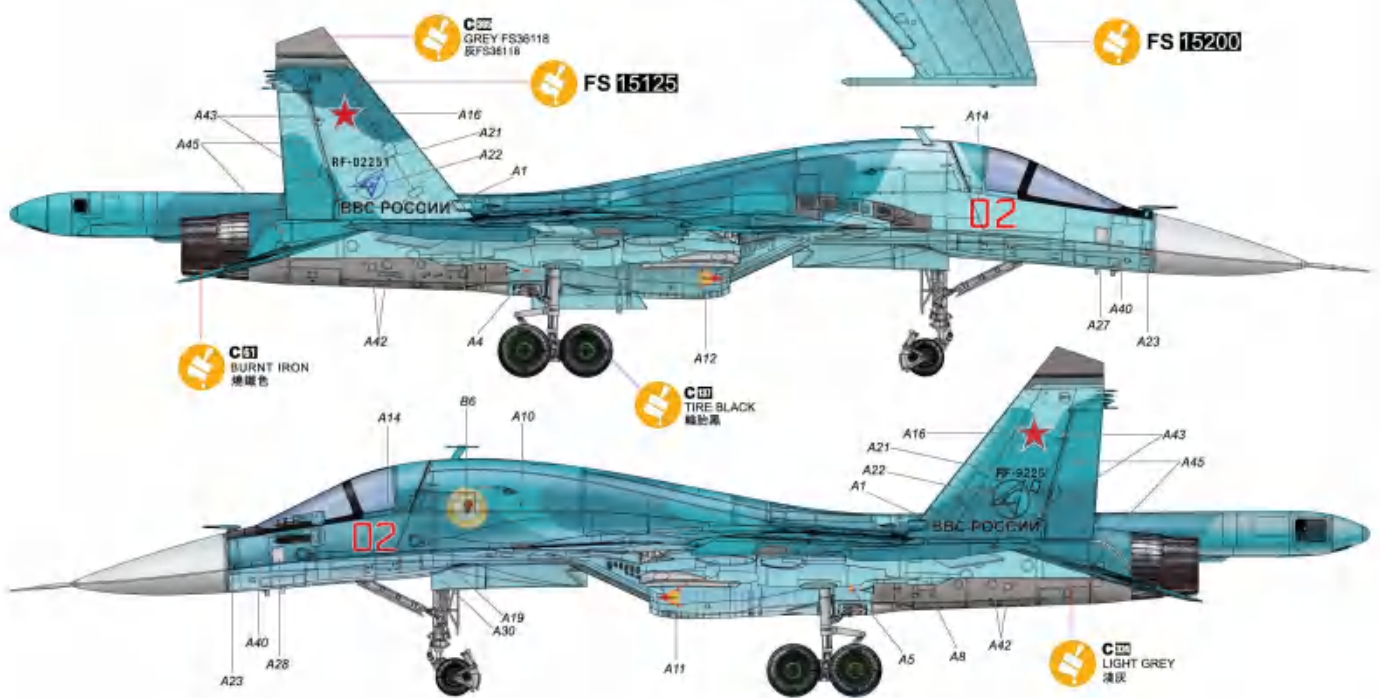
塗裝與標誌

Russian Aerospace Defence Forces Su-34

25



26



Painting & marking Guide

涂装指南

Russian Aircraft armament

KH-29T



C 02 GRAY FS36375
FS36375 灰

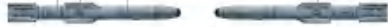
KH-31



C 02 RL801 BROWN VIOLET
棕紫

C 02 GRAY FS36375
FS36375 灰

Kab-250



Kab-500kr



Kab-500kl



Kab-500se



Kab-1500-kl



C 02 GRAY FS36375
FS36375 灰

Kab-1500-kr



Kab-1500-se



KH-59



KH-38ME



C 02 LIGHT GREY
浅灰

C 02 MEDIUM SEA GREY
FS318C437
中灰 FS318C-437

R-27ER



C 02 GLOSS WHITE FS17875
亮面白 FS17875

R-27ET



R-27R



R-27T



KH-35



C 02 GRAY FS36375
FS36375 灰

KH-58



KH-25



C 02 GLOSS WHITE FS17875
亮面白 FS17875

KH-25



C 02 RED
红色

KH-25



KH-29L



Painting & marking Guide

Russian Aircraft armament

GVU8700 49, 45, 46, 47, 48, 49. **C11 SILVER** 银色

R-77 45, 46, 47, 48, 49. **C11 LIGHT GRAY** 浅灰色, **C11 GLOSS WHITE FS17875** 亮面FS17875

S-25 33, 34, 35, 37. **C11 RED** 红色

S-25 33, 34, 35, 37. **C11 RED** 红色

S-25 33, 34, 35, 37. **C11 RED** 红色

UBK-23 20, 21, 22, 23. **C11 SILVER** 银色

R-73 27. **C11 SILVER** 银色

R-60 47, 48, 49, 41. **C11 SILVER** 银色

U-4 1, 2, 3, 4, 5, 6, 7, 8, 9, 10. **C11 STEEL** 钢灰色

APU-73 3, 4, 5, 6, 7, 8, 9, 10. **C11 SILVER** 银色

APU-68 1, 2, 3, 4, 5, 6, 7, 8, 9, 10. **C11 SILVER** 银色

U-6 1, 2, 3, 4, 5, 6, 7, 8, 9, 10. **C11 STEEL** 钢灰色, **C11 PLM76 LIGHT BLUE** 浅蓝色

KH-23 21, 22, 23, 24, 25, 26, 27, 28, 29, 30, 31, 32, 33, 34, 35, 36, 37, 38, 39, 40, 41, 42, 43, 44, 45, 46, 47, 48, 49, 50, 51, 52, 53, 54, 55, 56, 57, 58, 59, 60, 61, 62, 63, 64, 65, 66, 67, 68, 69, 70, 71, 72, 73, 74, 75, 76, 77, 78, 79, 80, 81, 82, 83, 84, 85, 86, 87, 88, 89, 90, 91, 92, 93, 94, 95, 96, 97, 98, 99, 100. **C11 SILVER** 银色

B-13 12, 13, 14, 15, 16, 17, 18, 19, 20, 21, 22, 23, 24, 25, 26, 27, 28, 29, 30, 31, 32, 33, 34, 35, 36, 37, 38, 39, 40, 41, 42, 43, 44, 45, 46, 47, 48, 49, 50, 51, 52, 53, 54, 55, 56, 57, 58, 59, 60, 61, 62, 63, 64, 65, 66, 67, 68, 69, 70, 71, 72, 73, 74, 75, 76, 77, 78, 79, 80, 81, 82, 83, 84, 85, 86, 87, 88, 89, 90, 91, 92, 93, 94, 95, 96, 97, 98, 99, 100. **C11 SILVER** 银色

SPPU-22 42, 43, 44, 45, 46, 47, 48, 49, 50, 51, 52, 53, 54, 55, 56, 57, 58, 59, 60, 61, 62, 63, 64, 65, 66, 67, 68, 69, 70, 71, 72, 73, 74, 75, 76, 77, 78, 79, 80, 81, 82, 83, 84, 85, 86, 87, 88, 89, 90, 91, 92, 93, 94, 95, 96, 97, 98, 99, 100. **C11 SILVER** 银色

B-8M 77, 78, 79, 80, 81, 82, 83, 84, 85, 86, 87, 88, 89, 90, 91, 92, 93, 94, 95, 96, 97, 98, 99, 100. **C11 SILVER** 银色

BETAB-500-ZD 24. **C11 GRAY FS36375** 灰色 FS36375

S-24 20, 21, 22, 23, 24, 25, 26, 27, 28, 29, 30, 31, 32, 33, 34, 35, 36, 37, 38, 39, 40, 41, 42, 43, 44, 45, 46, 47, 48, 49, 50, 51, 52, 53, 54, 55, 56, 57, 58, 59, 60, 61, 62, 63, 64, 65, 66, 67, 68, 69, 70, 71, 72, 73, 74, 75, 76, 77, 78, 79, 80, 81, 82, 83, 84, 85, 86, 87, 88, 89, 90, 91, 92, 93, 94, 95, 96, 97, 98, 99, 100. **C11 SILVER** 银色

BETAB-500 17, 18, 19, 20, 21, 22, 23, 24, 25, 26, 27, 28, 29, 30, 31, 32, 33, 34, 35, 36, 37, 38, 39, 40, 41, 42, 43, 44, 45, 46, 47, 48, 49, 50, 51, 52, 53, 54, 55, 56, 57, 58, 59, 60, 61, 62, 63, 64, 65, 66, 67, 68, 69, 70, 71, 72, 73, 74, 75, 76, 77, 78, 79, 80, 81, 82, 83, 84, 85, 86, 87, 88, 89, 90, 91, 92, 93, 94, 95, 96, 97, 98, 99, 100. **C11 SILVER** 银色

APU-470 57, 58, 59, 60, 61, 62, 63, 64, 65, 66, 67, 68, 69, 70, 71, 72, 73, 74, 75, 76, 77, 78, 79, 80, 81, 82, 83, 84, 85, 86, 87, 88, 89, 90, 91, 92, 93, 94, 95, 96, 97, 98, 99, 100. **C11 SILVER** 银色

APU-62 1, 2, 3, 4, 5, 6, 7, 8, 9, 10, 11, 12, 13, 14, 15, 16, 17, 18, 19, 20, 21, 22, 23, 24, 25, 26, 27, 28, 29, 30, 31, 32, 33, 34, 35, 36, 37, 38, 39, 40, 41, 42, 43, 44, 45, 46, 47, 48, 49, 50, 51, 52, 53, 54, 55, 56, 57, 58, 59, 60, 61, 62, 63, 64, 65, 66, 67, 68, 69, 70, 71, 72, 73, 74, 75, 76, 77, 78, 79, 80, 81, 82, 83, 84, 85, 86, 87, 88, 89, 90, 91, 92, 93, 94, 95, 96, 97, 98, 99, 100. **C11 SILVER** 银色

AKU-58 53, 54, 55, 56, 57, 58, 59, 60, 61, 62, 63, 64, 65, 66, 67, 68, 69, 70, 71, 72, 73, 74, 75, 76, 77, 78, 79, 80, 81, 82, 83, 84, 85, 86, 87, 88, 89, 90, 91, 92, 93, 94, 95, 96, 97, 98, 99, 100. **C11 PLM76 LIGHT BLUE** 浅蓝色

OFAB-250-SZN 35, 36, 37, 38, 39, 40, 41, 42, 43, 44, 45, 46, 47, 48, 49, 50, 51, 52, 53, 54, 55, 56, 57, 58, 59, 60, 61, 62, 63, 64, 65, 66, 67, 68, 69, 70, 71, 72, 73, 74, 75, 76, 77, 78, 79, 80, 81, 82, 83, 84, 85, 86, 87, 88, 89, 90, 91, 92, 93, 94, 95, 96, 97, 98, 99, 100. **C11 GRAY FS36375** 灰色 FS36375

UB-32 38, 39, 40, 41, 42, 43, 44, 45, 46, 47, 48, 49, 50, 51, 52, 53, 54, 55, 56, 57, 58, 59, 60, 61, 62, 63, 64, 65, 66, 67, 68, 69, 70, 71, 72, 73, 74, 75, 76, 77, 78, 79, 80, 81, 82, 83, 84, 85, 86, 87, 88, 89, 90, 91, 92, 93, 94, 95, 96, 97, 98, 99, 100. **C11 SILVER** 银色

FAB-250-M62 25, 26, 27, 28, 29, 30, 31, 32, 33, 34, 35, 36, 37, 38, 39, 40, 41, 42, 43, 44, 45, 46, 47, 48, 49, 50, 51, 52, 53, 54, 55, 56, 57, 58, 59, 60, 61, 62, 63, 64, 65, 66, 67, 68, 69, 70, 71, 72, 73, 74, 75, 76, 77, 78, 79, 80, 81, 82, 83, 84, 85, 86, 87, 88, 89, 90, 91, 92, 93, 94, 95, 96, 97, 98, 99, 100. **C11 SILVER** 银色

FAB-250-M54 37, 38, 39, 40, 41, 42, 43, 44, 45, 46, 47, 48, 49, 50, 51, 52, 53, 54, 55, 56, 57, 58, 59, 60, 61, 62, 63, 64, 65, 66, 67, 68, 69, 70, 71, 72, 73, 74, 75, 76, 77, 78, 79, 80, 81, 82, 83, 84, 85, 86, 87, 88, 89, 90, 91, 92, 93, 94, 95, 96, 97, 98, 99, 100. **C11 SILVER** 银色

RBK-500-255 20, 21, 22, 23, 24, 25, 26, 27, 28, 29, 30, 31, 32, 33, 34, 35, 36, 37, 38, 39, 40, 41, 42, 43, 44, 45, 46, 47, 48, 49, 50, 51, 52, 53, 54, 55, 56, 57, 58, 59, 60, 61, 62, 63, 64, 65, 66, 67, 68, 69, 70, 71, 72, 73, 74, 75, 76, 77, 78, 79, 80, 81, 82, 83, 84, 85, 86, 87, 88, 89, 90, 91, 92, 93, 94, 95, 96, 97, 98, 99, 100. **C11 SILVER** 银色

FAB-250-TS 15, 16, 17, 18, 19, 20, 21, 22, 23, 24, 25, 26, 27, 28, 29, 30, 31, 32, 33, 34, 35, 36, 37, 38, 39, 40, 41, 42, 43, 44, 45, 46, 47, 48, 49, 50, 51, 52, 53, 54, 55, 56, 57, 58, 59, 60, 61, 62, 63, 64, 65, 66, 67, 68, 69, 70, 71, 72, 73, 74, 75, 76, 77, 78, 79, 80, 81, 82, 83, 84, 85, 86, 87, 88, 89, 90, 91, 92, 93, 94, 95, 96, 97, 98, 99, 100. **C11 SILVER** 银色

FAB-250-M54 28, 29, 30, 31, 32, 33, 34, 35, 36, 37, 38, 39, 40, 41, 42, 43, 44, 45, 46, 47, 48, 49, 50, 51, 52, 53, 54, 55, 56, 57, 58, 59, 60, 61, 62, 63, 64, 65, 66, 67, 68, 69, 70, 71, 72, 73, 74, 75, 76, 77, 78, 79, 80, 81, 82, 83, 84, 85, 86, 87, 88, 89, 90, 91, 92, 93, 94, 95, 96, 97, 98, 99, 100. **C11 SILVER** 银色

OFAB-100-120 72, 73, 74, 75, 76, 77, 78, 79, 80, 81, 82, 83, 84, 85, 86, 87, 88, 89, 90, 91, 92, 93, 94, 95, 96, 97, 98, 99, 100. **C11 SILVER** 银色

SAB-100 71, 72, 73, 74, 75, 76, 77, 78, 79, 80, 81, 82, 83, 84, 85, 86, 87, 88, 89, 90, 91, 92, 93, 94, 95, 96, 97, 98, 99, 100. **C11 SILVER** 银色