

Instruction

模型拼裝說明書

1:48 Scale



Russian weapon loading cart



俄罗斯武器装载车系列

ZM80161

READ BEFORE ASSEMBLY

在組合您的模型之前，請充分閱讀本冊說明書。組合模型您需要如下物品（需另購）：模型膠水；一把模型鉗或一把用于將零件從框架上切下的模型筆刀。筆刀同樣可以用來修整零件的合模綫。祝您制作愉快！

Before assembling your model kit, read through these instructions carefully. To assemble this kit, you will need Plastic glue (not included). A pair of side cutter or a sharp modelling knife is required for removing parts from the frame. Plastic mold lines can be removed with the modelling knife.



請注意
Special instructions



隨愛好選擇
Optional



組合完成
Finished Assembly



彎曲
Bend



制作四組
Make four



鉗孔
Make Hole



塗色
Painting



無需膠粘
Do Not Cement



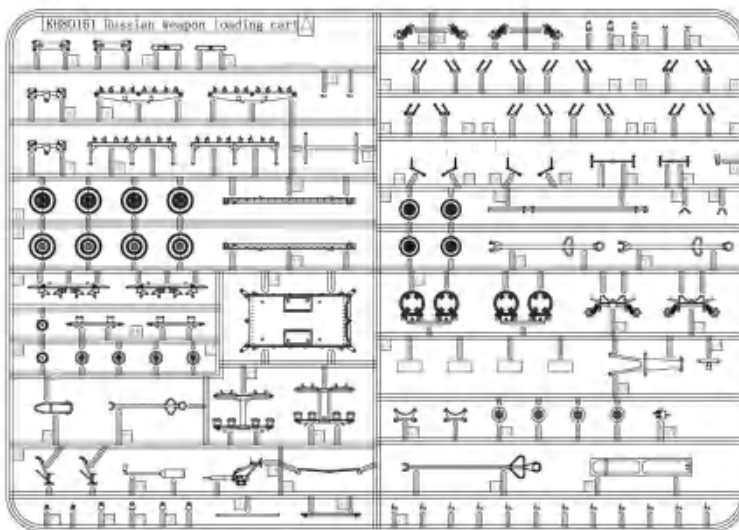
對側
Opposite



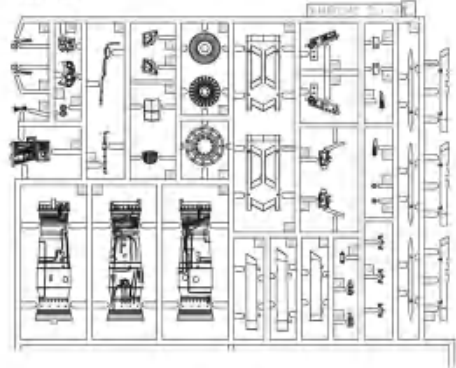
對側相同
Both sides

部品圖 Part

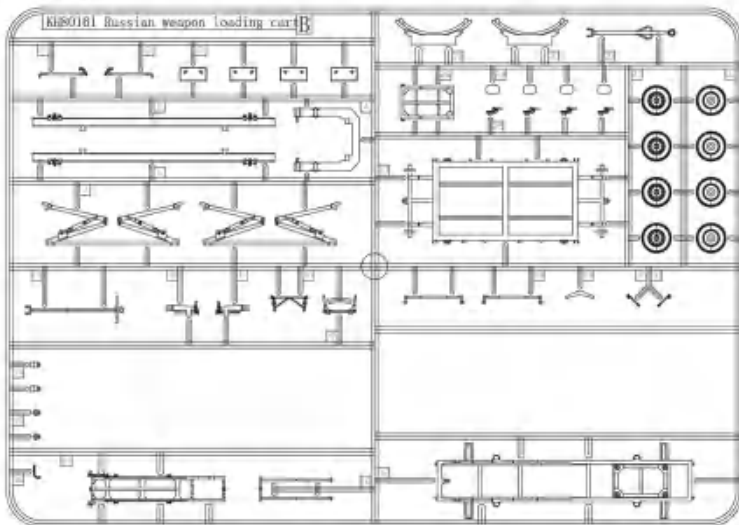
A×2



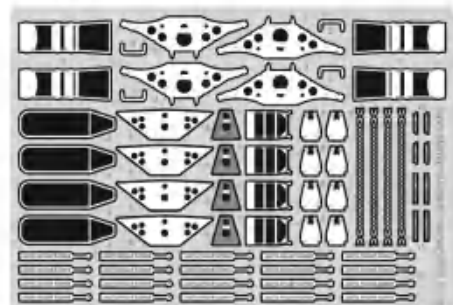
E×2

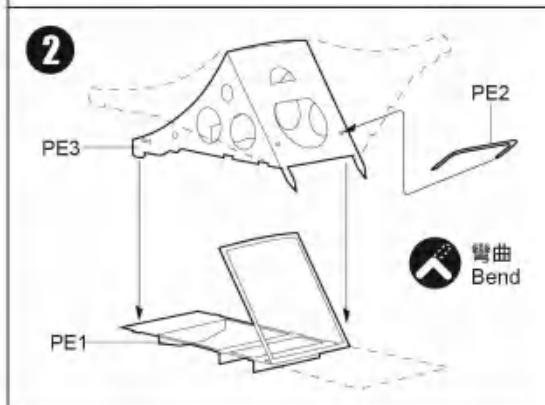
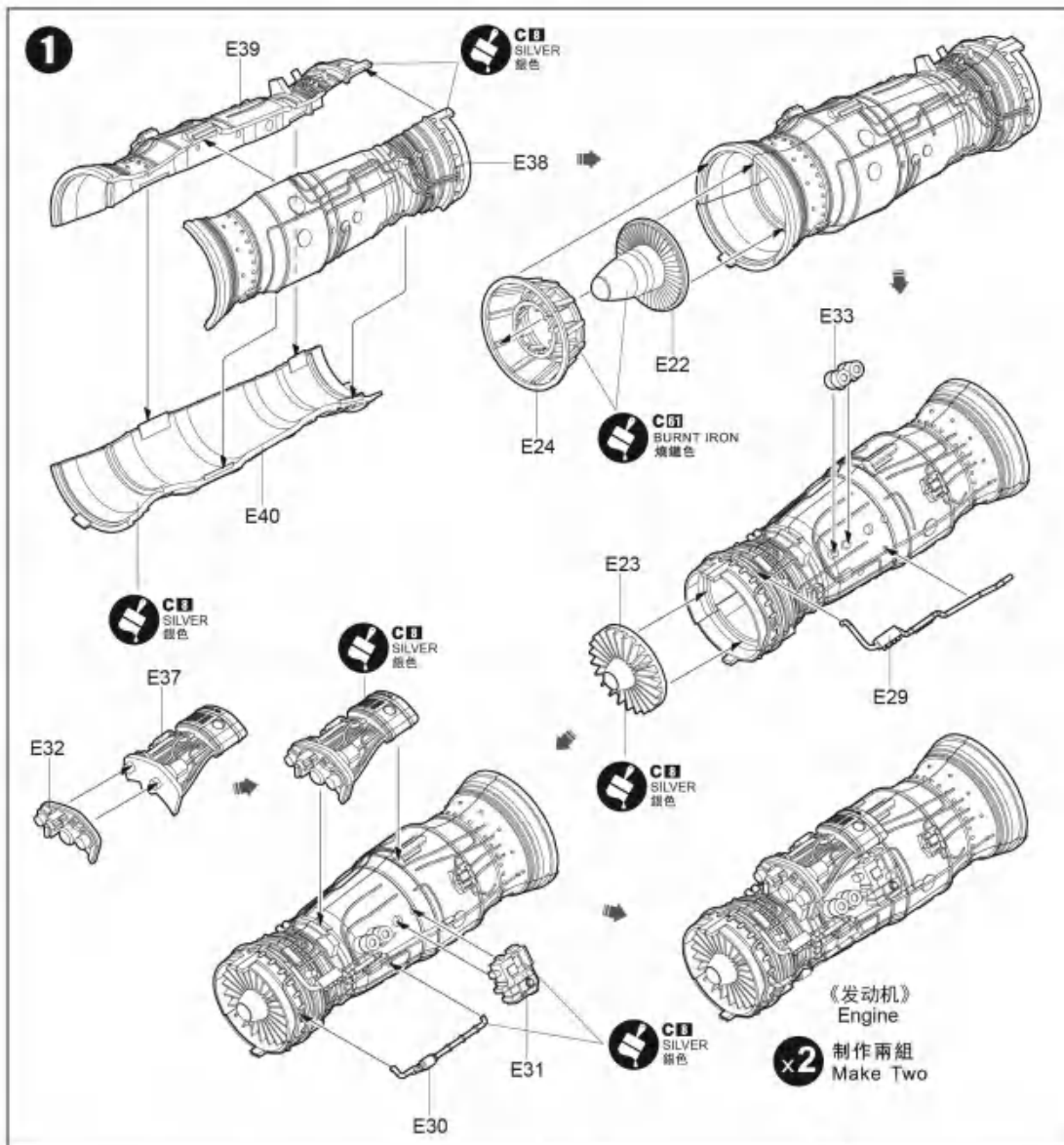


B×2



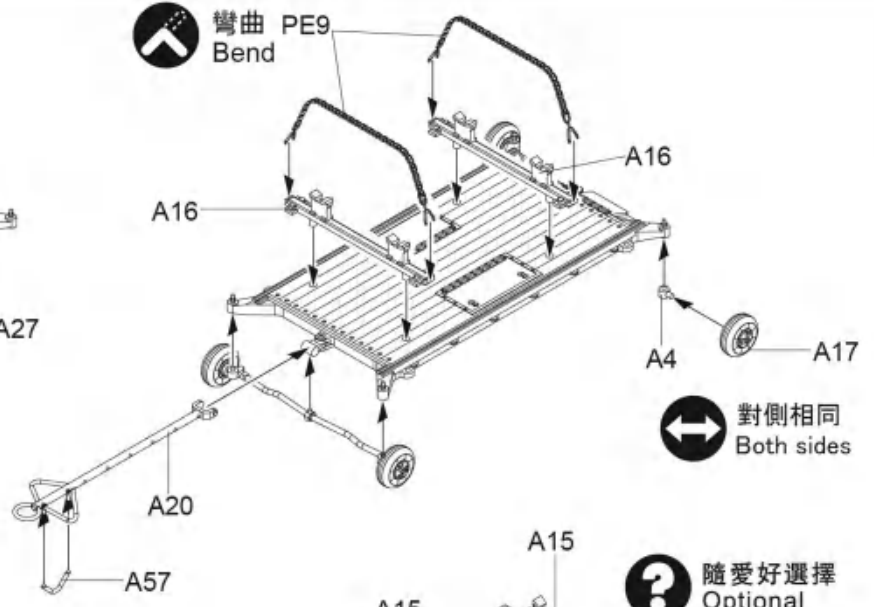
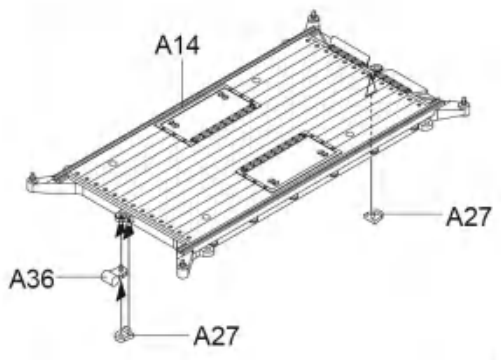
《蚀刻片》
PE



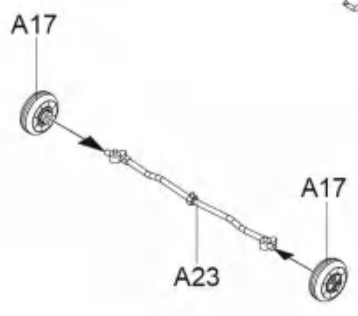


4

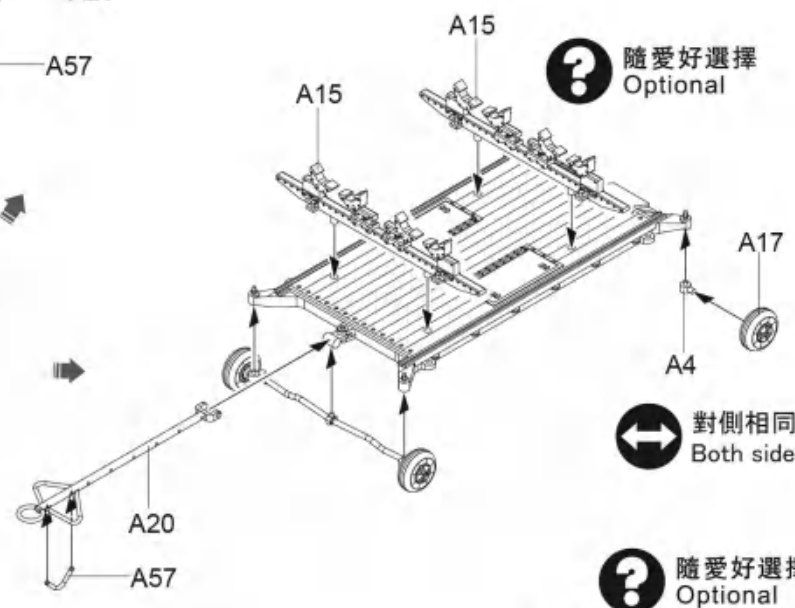
彎曲 PE9
Bend



對側相同
Both sides

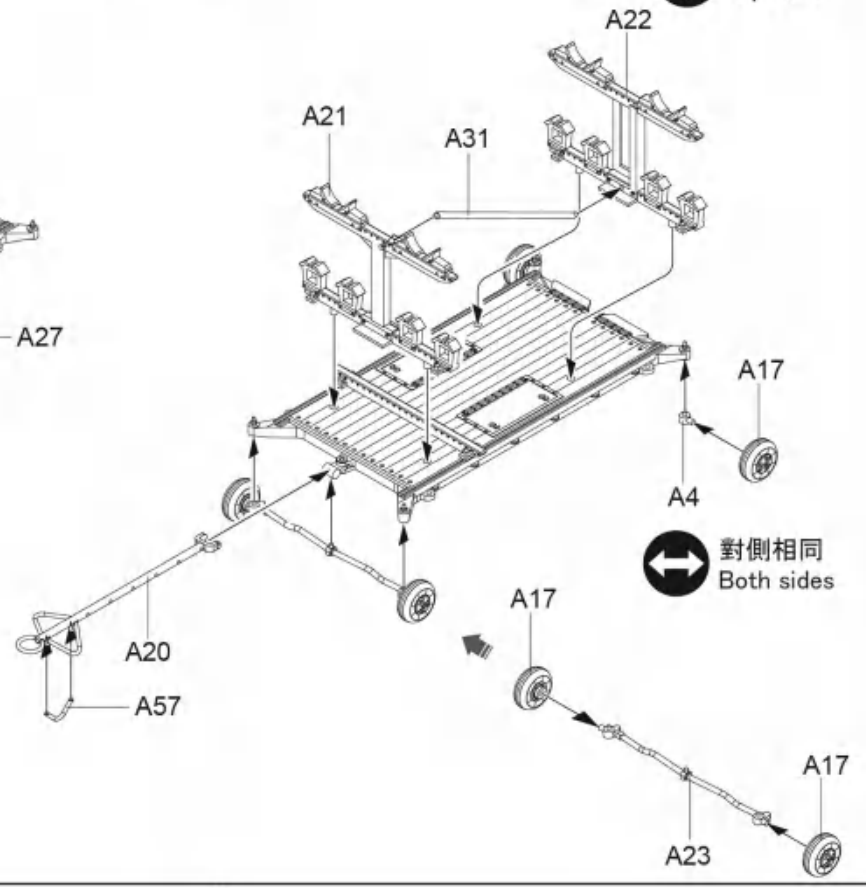
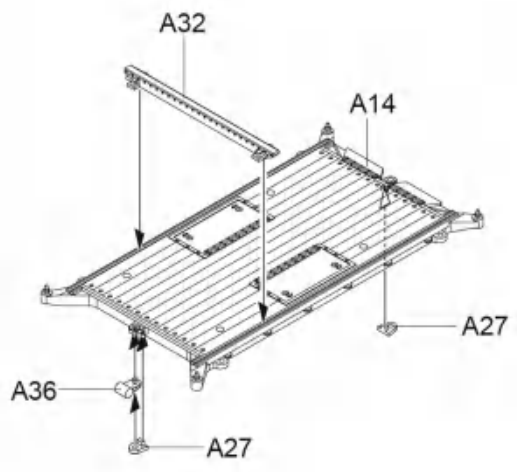


隨愛好選擇
Optional



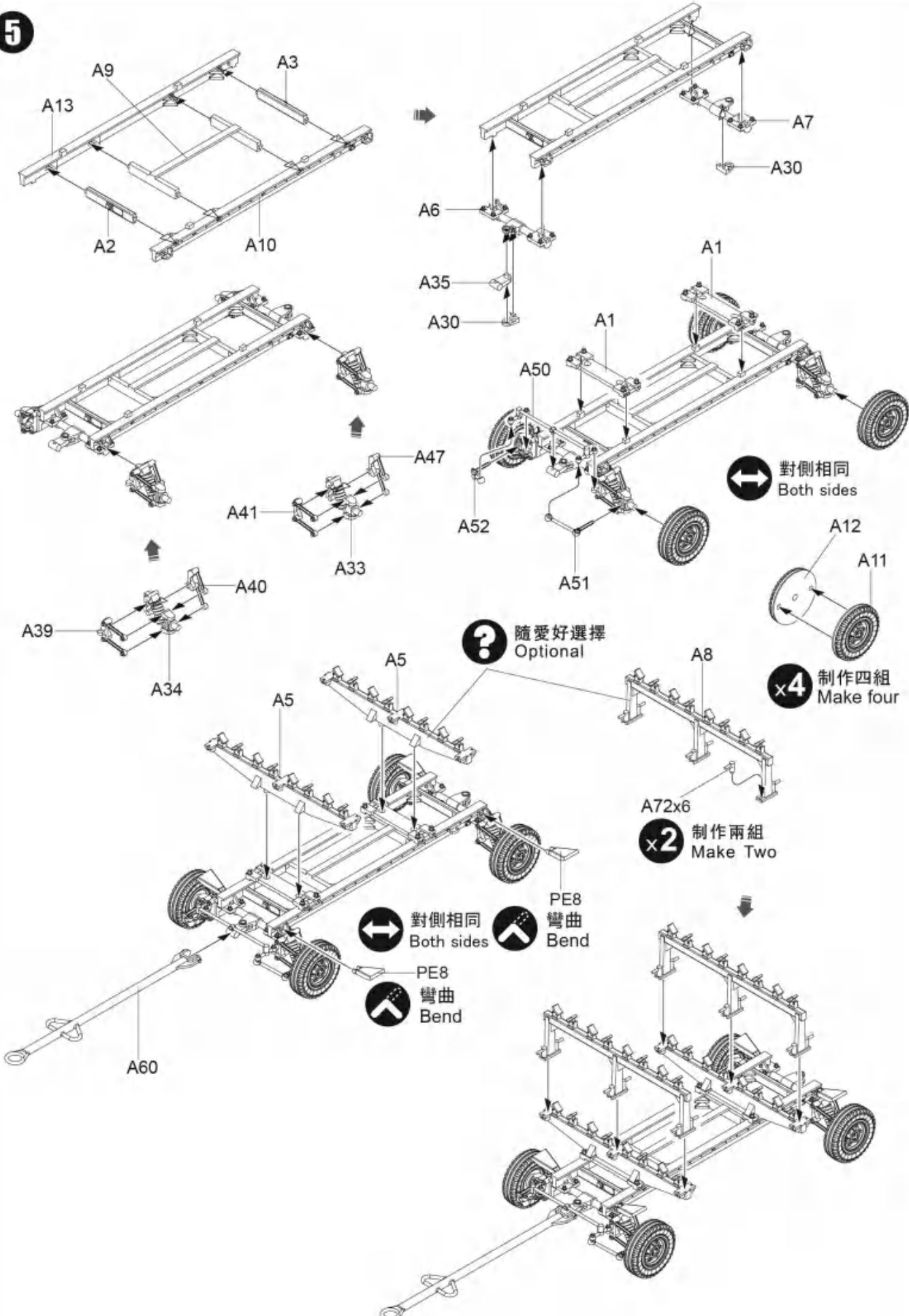
對側相同
Both sides

隨愛好選擇
Optional

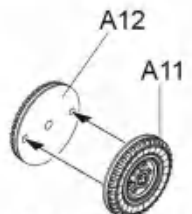


對側相同
Both sides

5

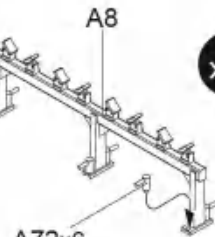


↔ 對側相同
Both sides



×4 制作四組
Make four

? 隨愛好選擇
Optional



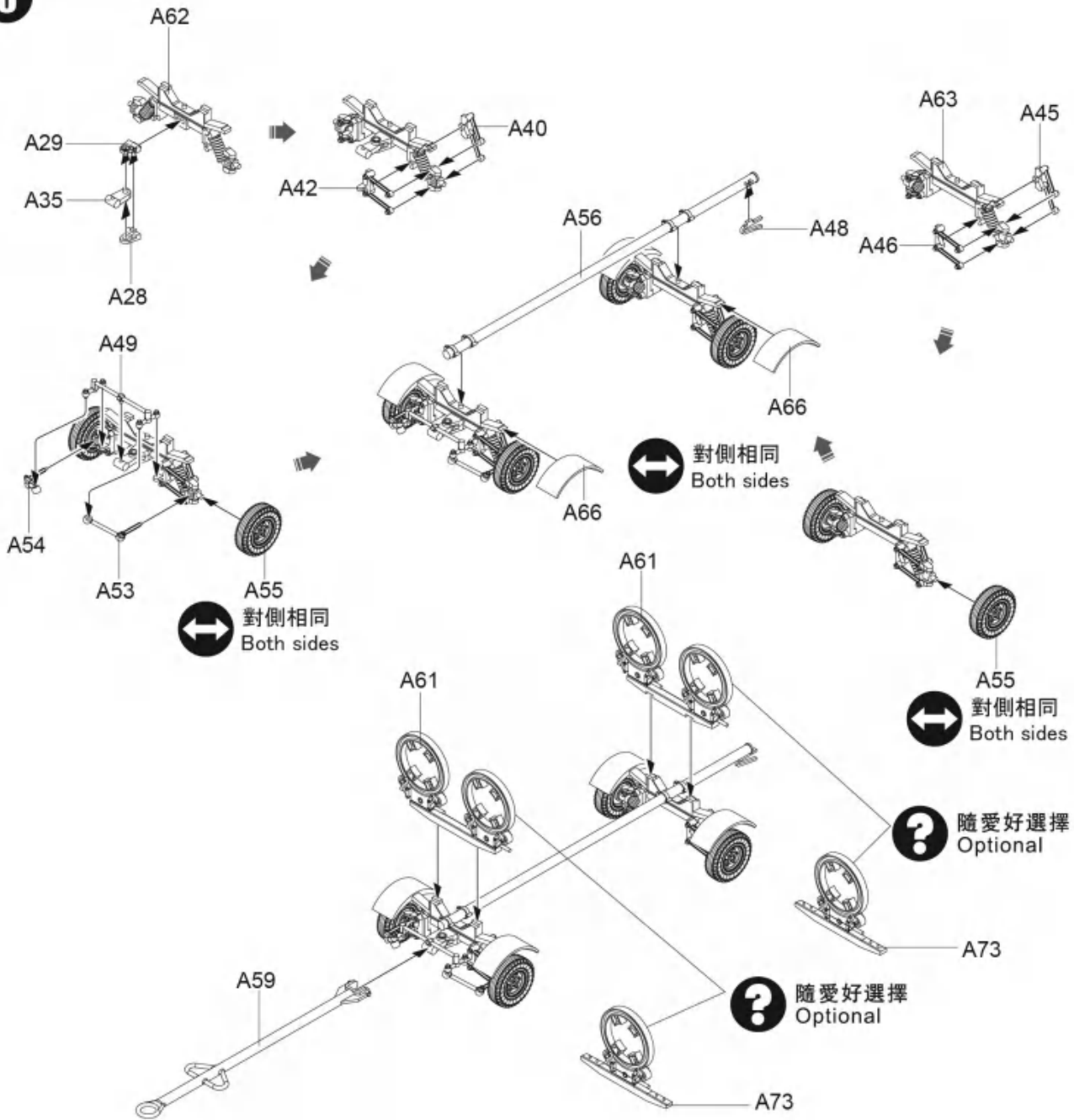
×2 制作兩組
Make Two

↔ 對側相同
Both sides

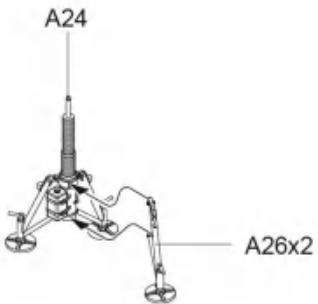
↖ PE8
彎曲
Bend

↖ PE8
彎曲
Bend

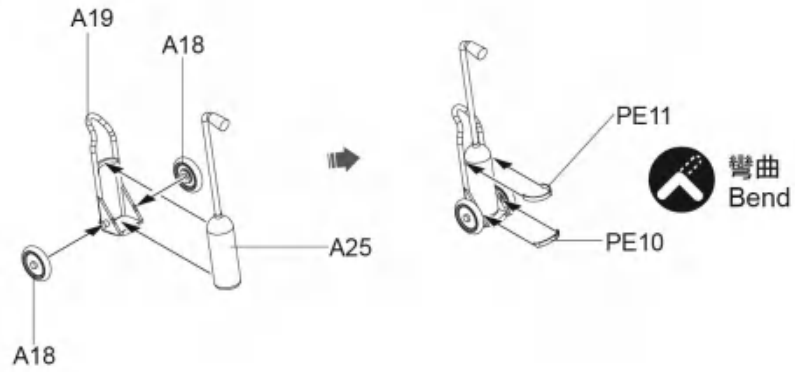
6



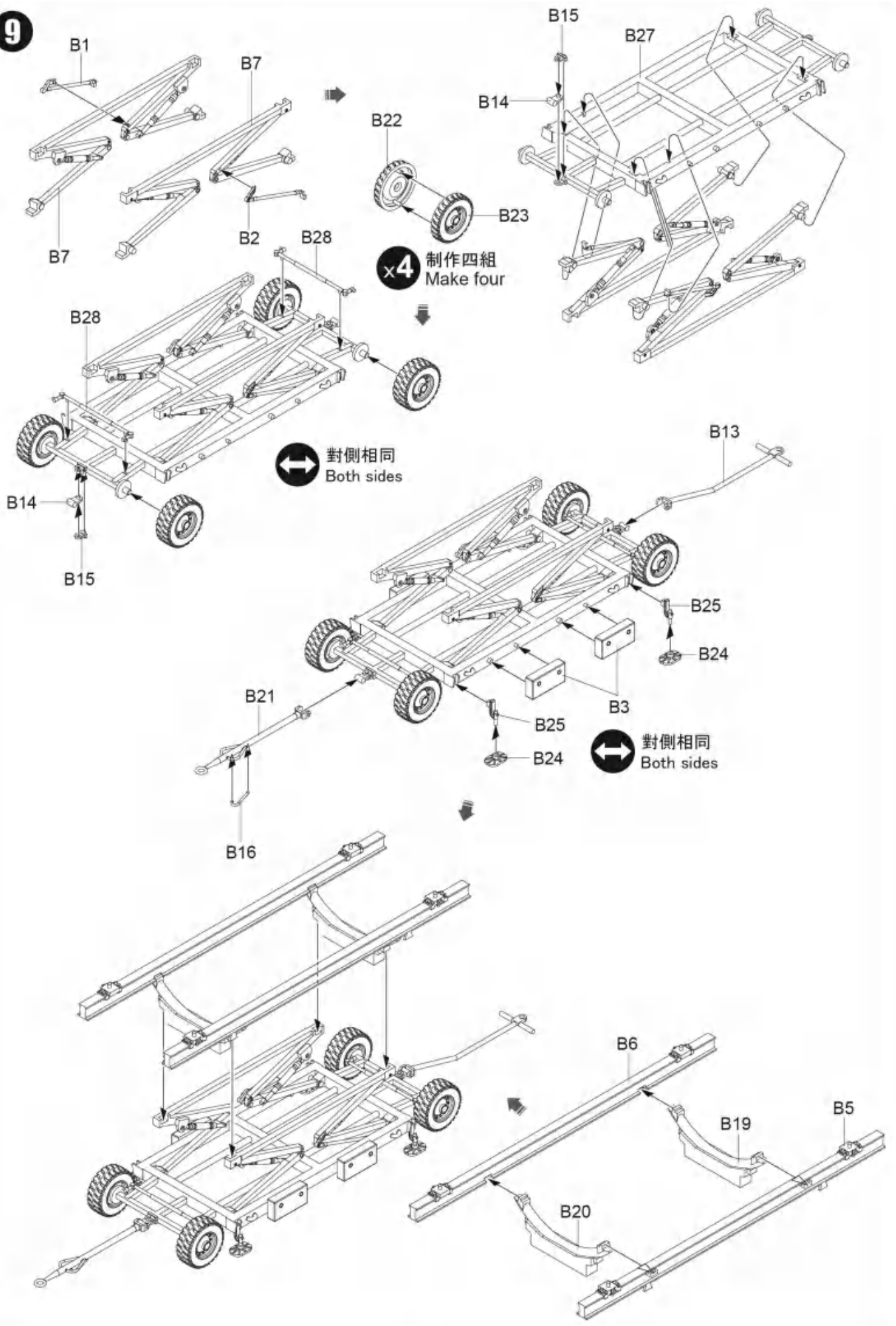
7



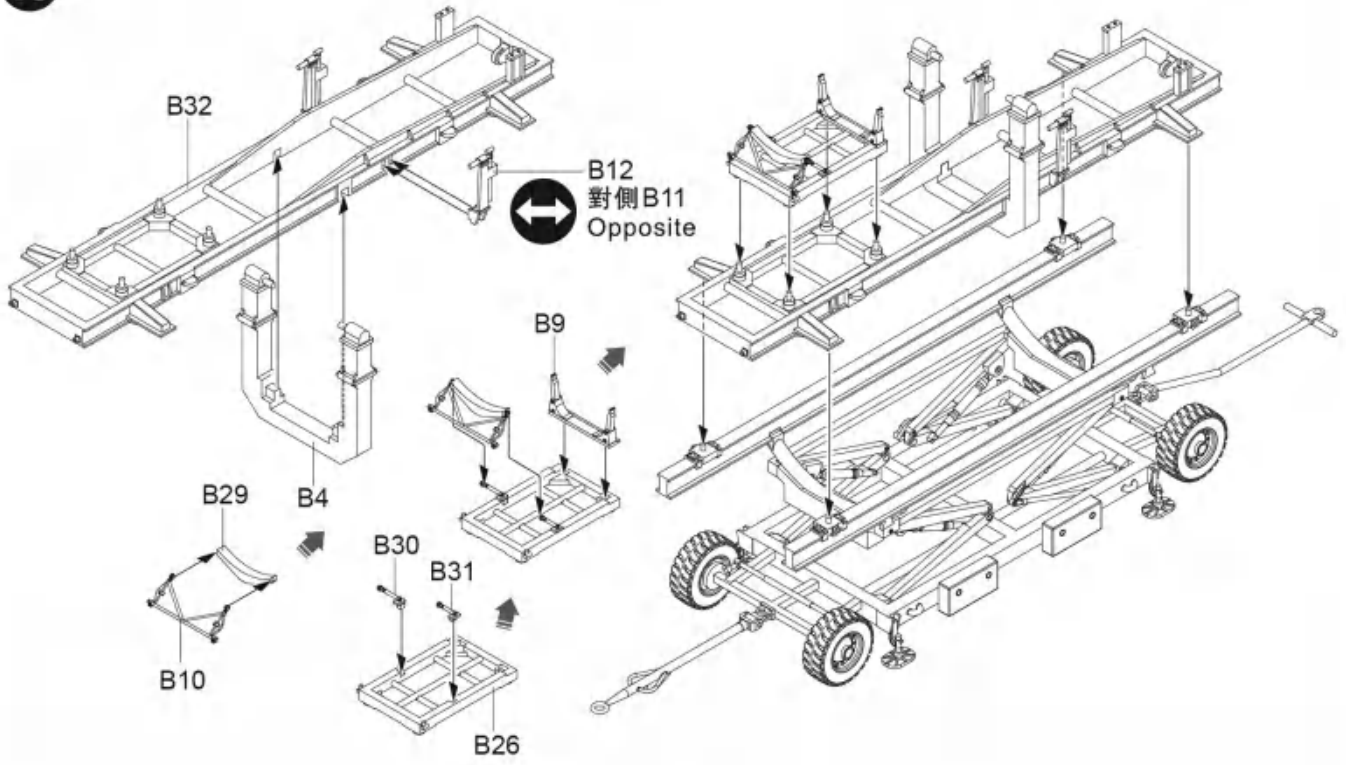
8



9



10



11

