

READ BEFORE ASSEMBLY

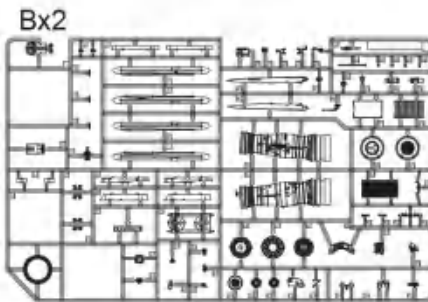
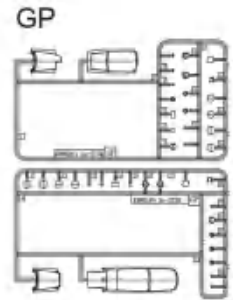
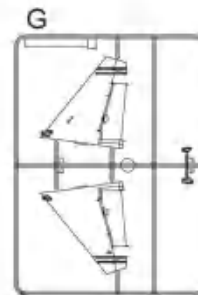
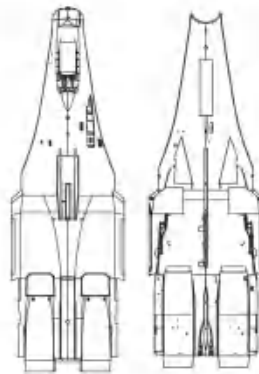
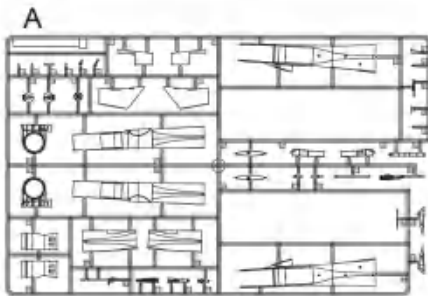
在組合您的模型之前，請充分閱讀本冊說明書。組合模型您需要如下物品（需另購）：模型膠水；一把模型鉗或一把用于將零件從框架上切下的模型筆刀。筆刀同樣可以用來修整零件的合模綫。祝您制作愉快！

Before assembling your model kit, read through these instructions carefully. To assemble this kit, you will need Plastic glue (not included). A pair of side cutter or a sharp modelling knife is required for removing parts from the frame. Plastic mold lines can be removed with the modelling knife.

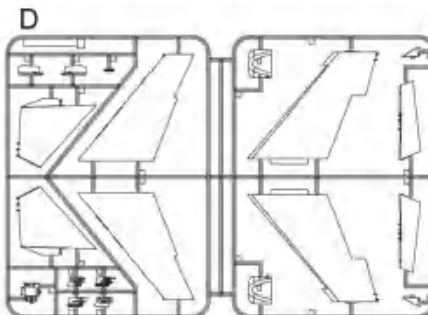
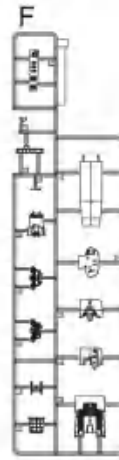
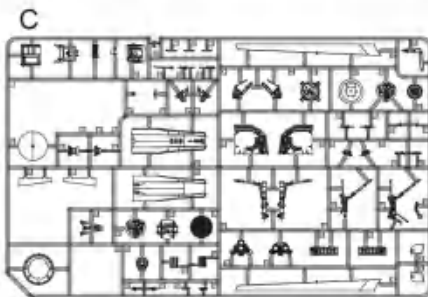
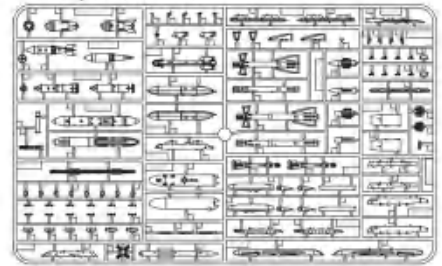
-  **請注意**
Special instructions
-  **隨愛好選擇**
Optional
-  **組合完成**
Finished Assembly
-  **彎曲**
Bend
-  **制作兩組**
Make Two
-  **鉗孔**
Make Hole
-  **塗色**
Painting
-  **無需膠粘**
Do Not Cement
-  **切除**
Cut
-  **對側**
Opposite

部品图 Part

上机身 下机身



Weapon_2 X2



《水貼A》
Decal A

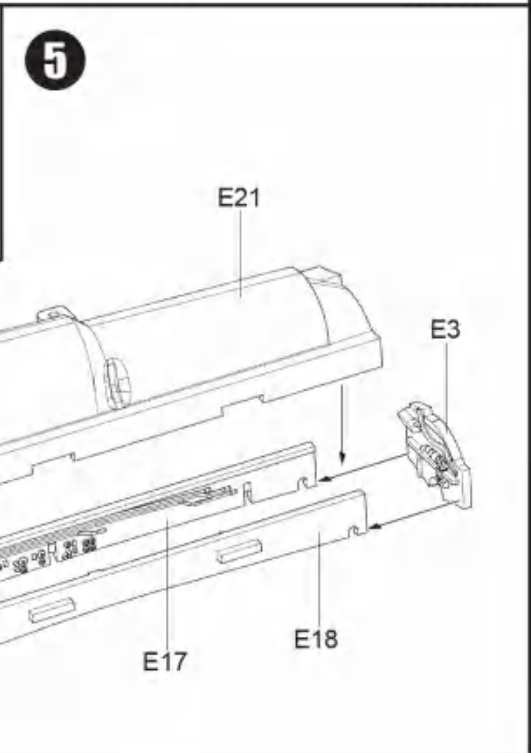
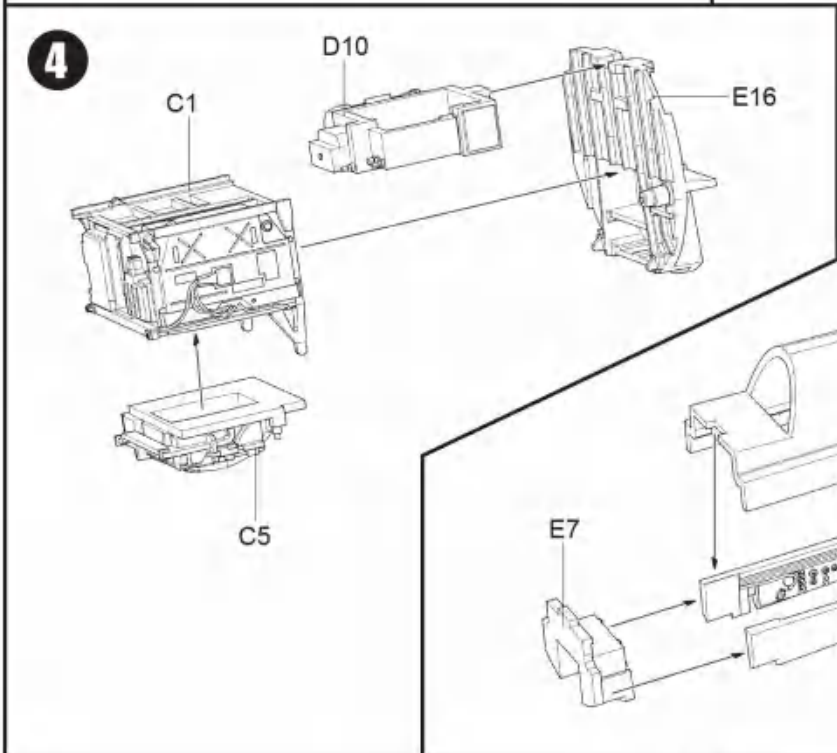
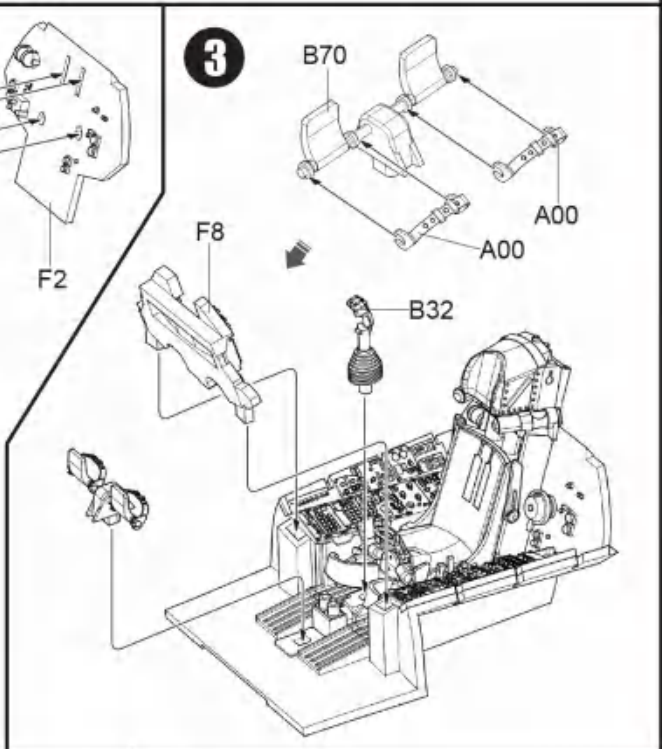
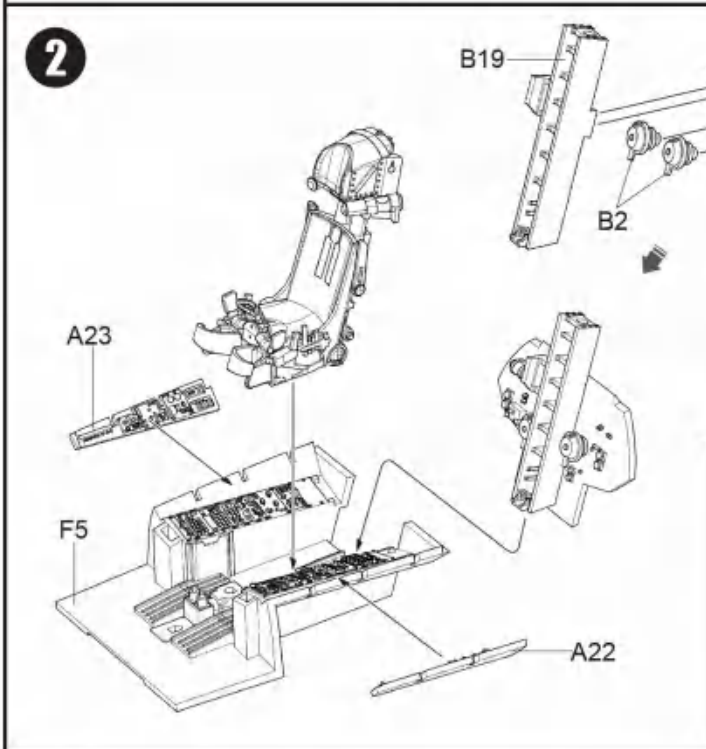
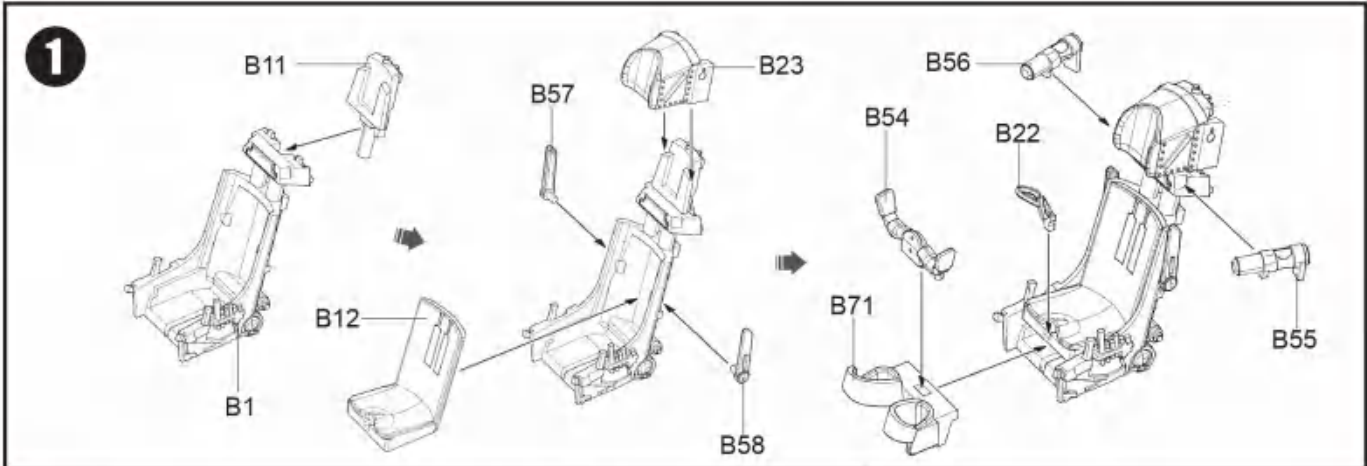
《水貼B》
Decal B

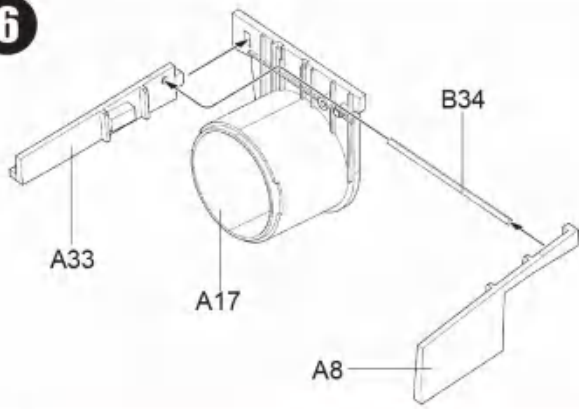
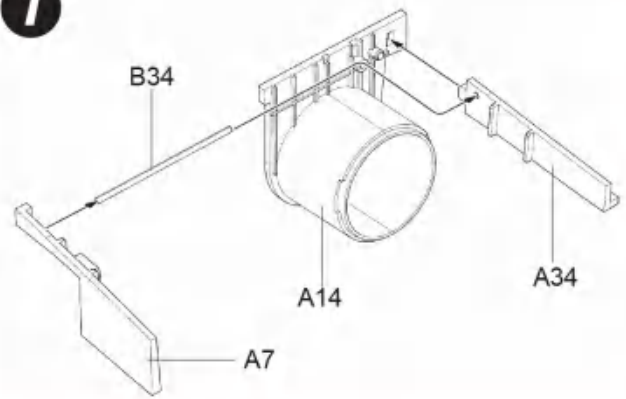
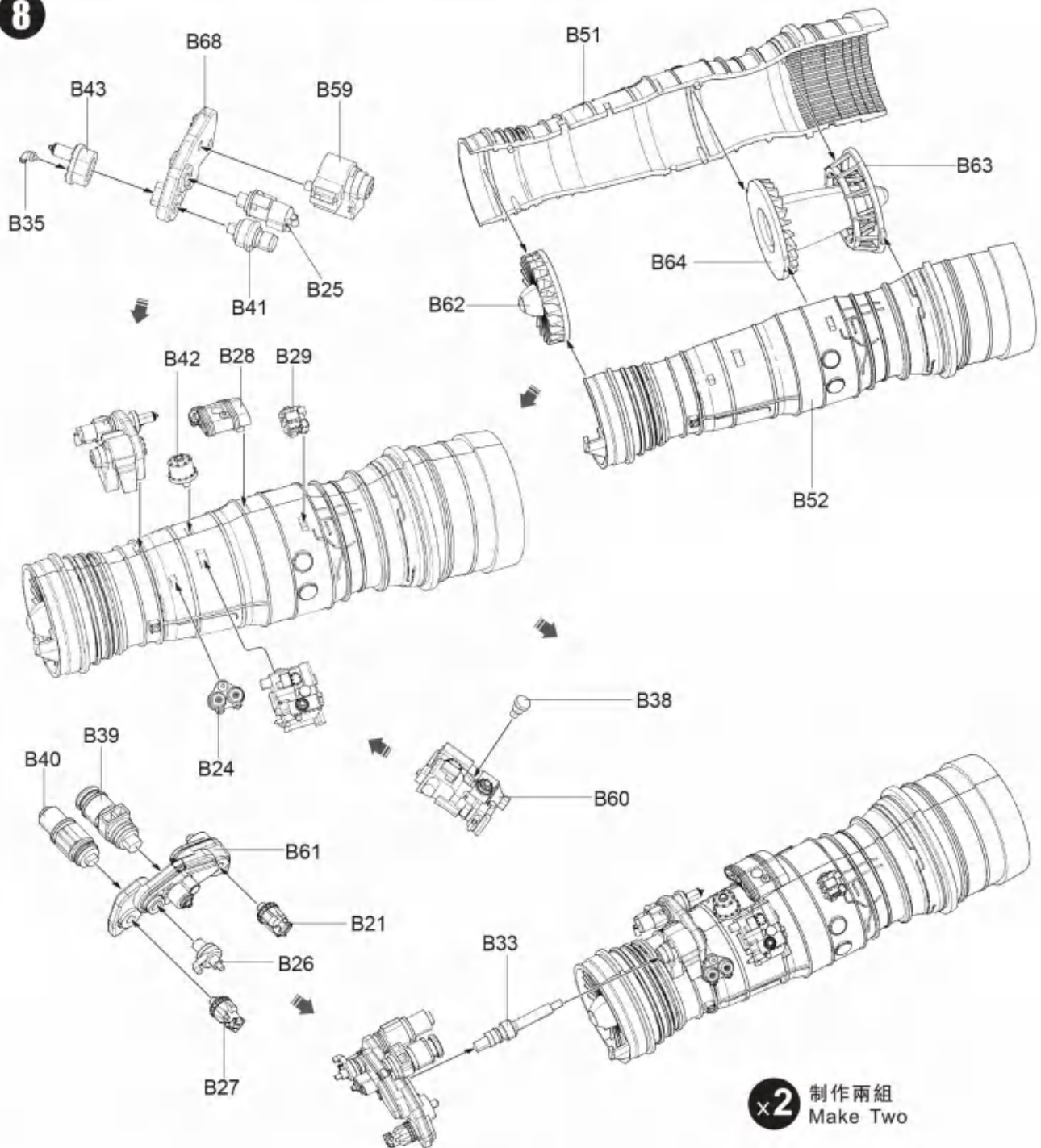
《水貼C》
Decal C



《蚀刻片》
PE

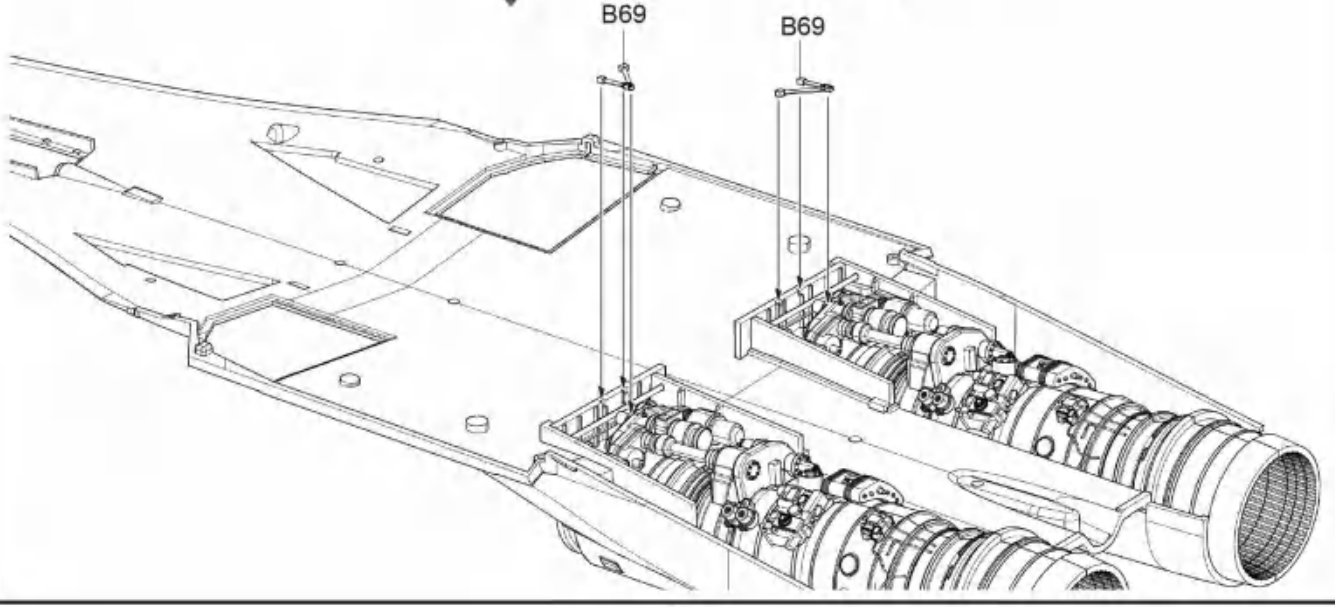
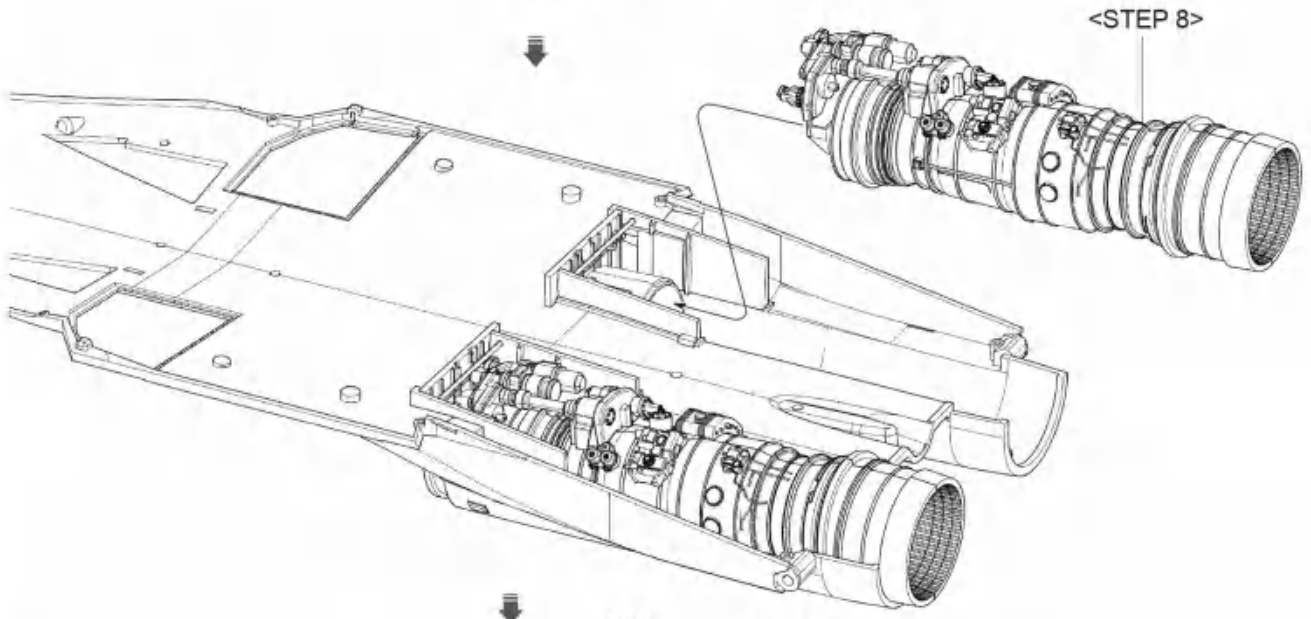
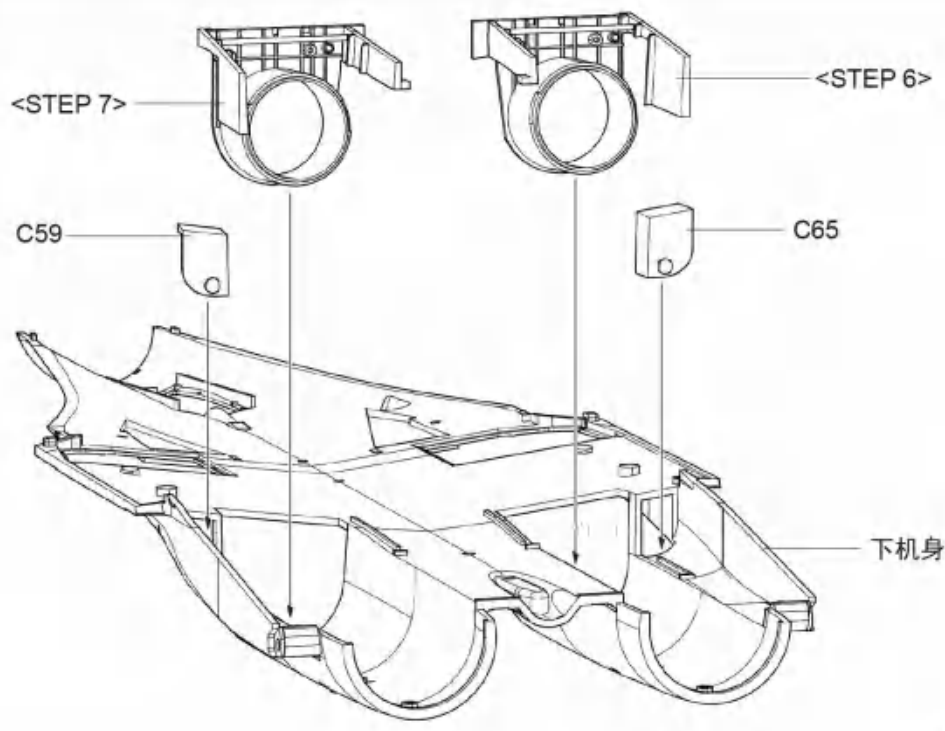
《树脂零件》
RESIN PART



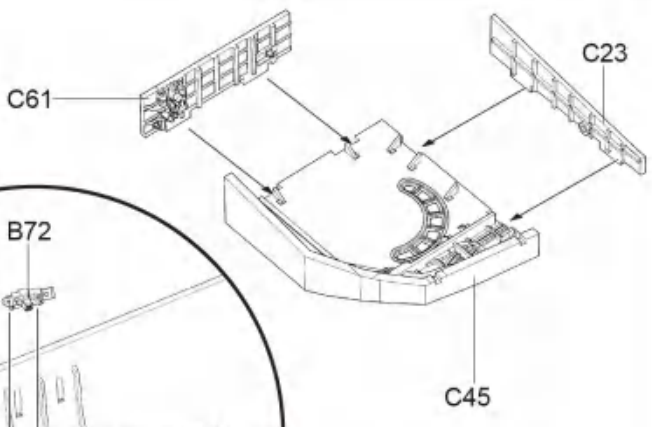
6**7****8**

x2 制作兩組
Make Two

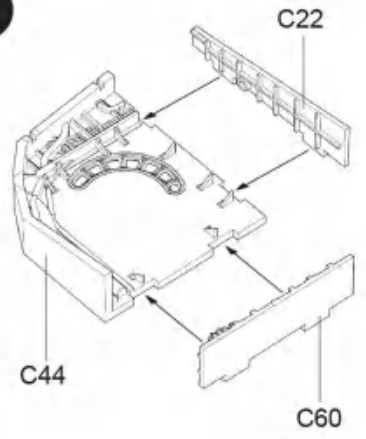
9



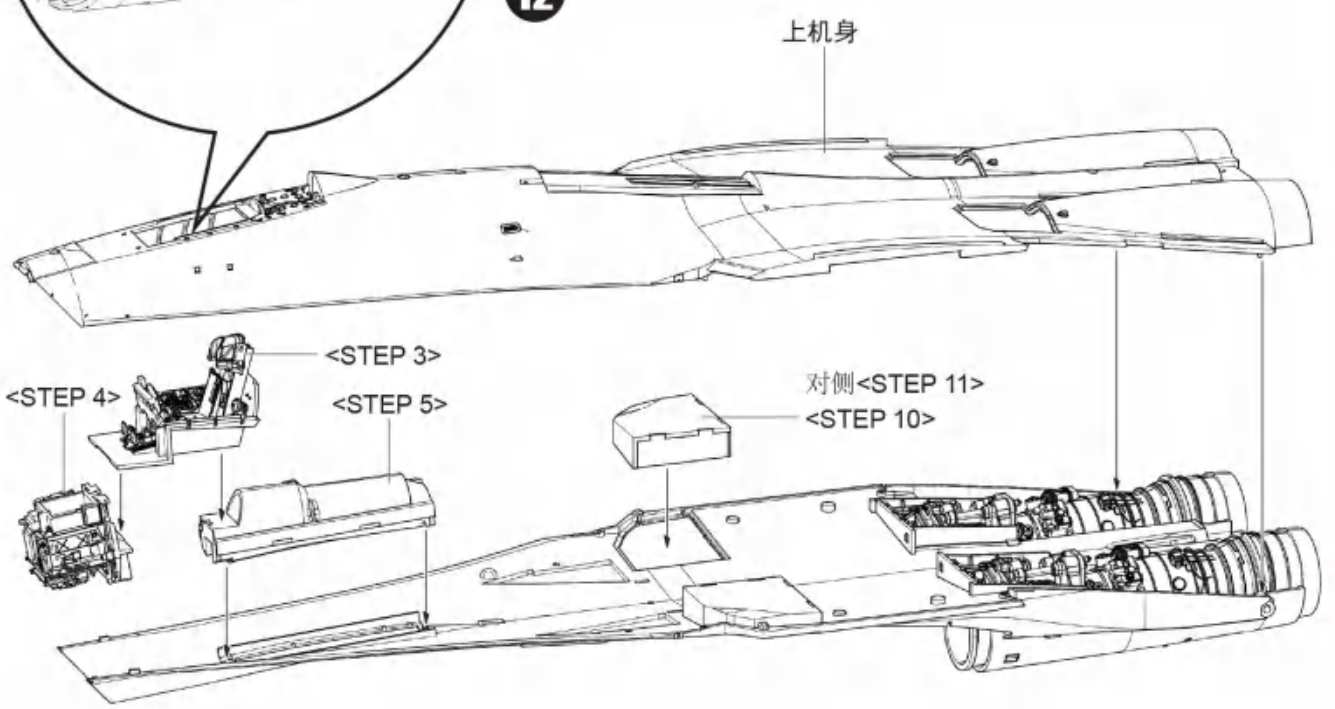
10



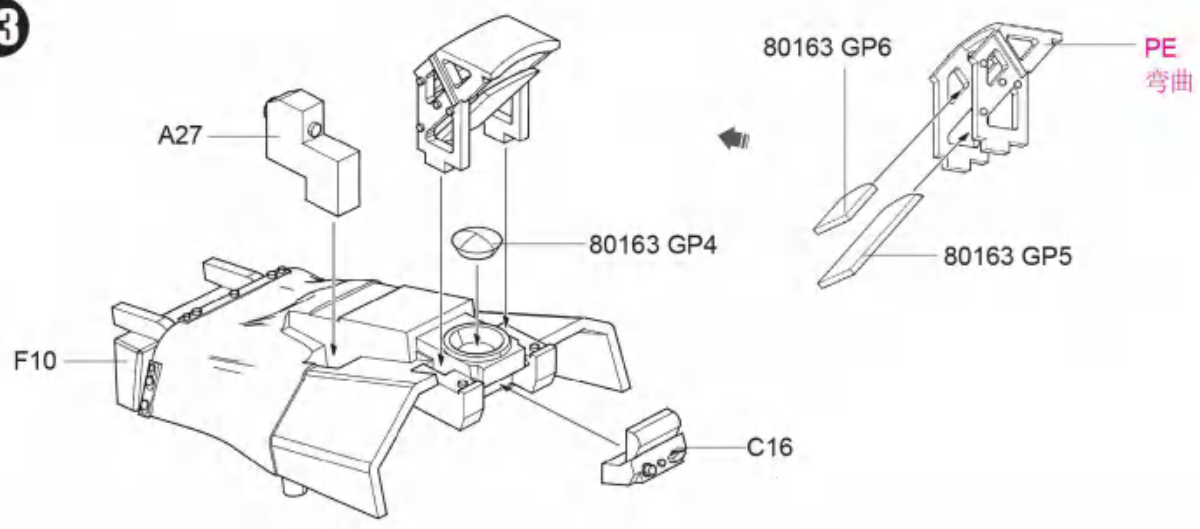
11



12

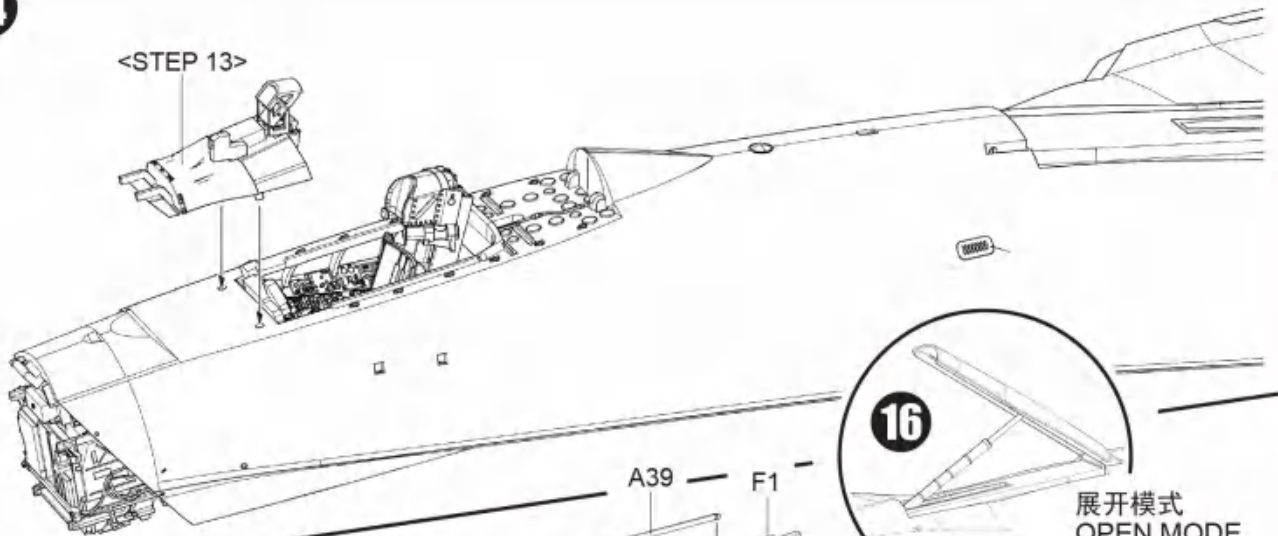


13



14

<STEP 13>

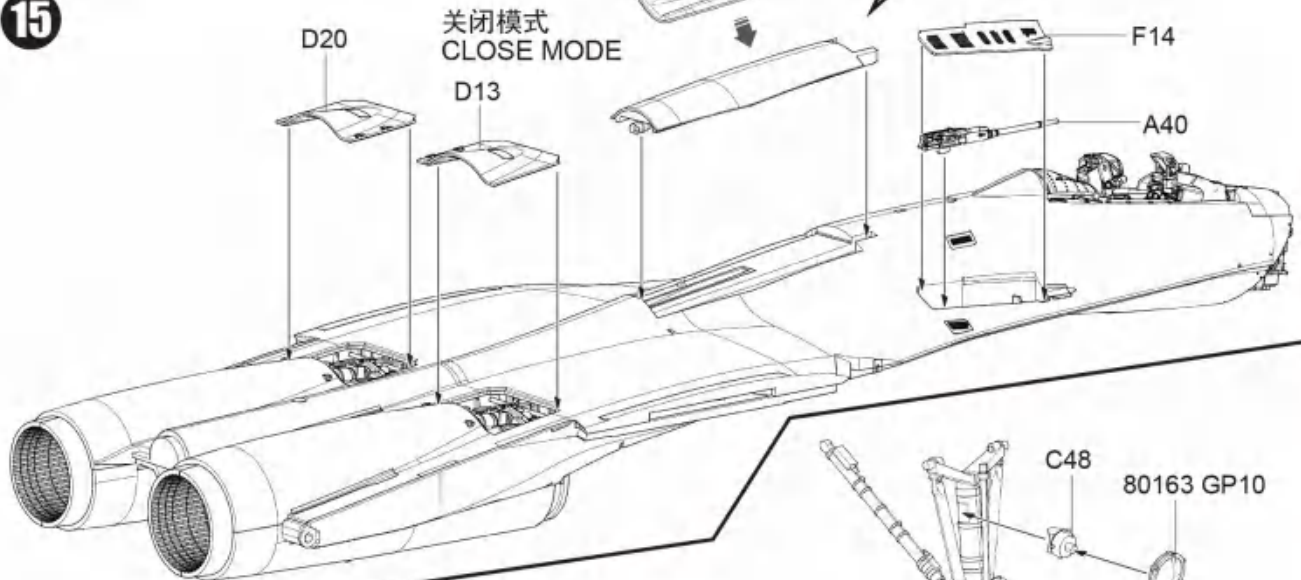


16

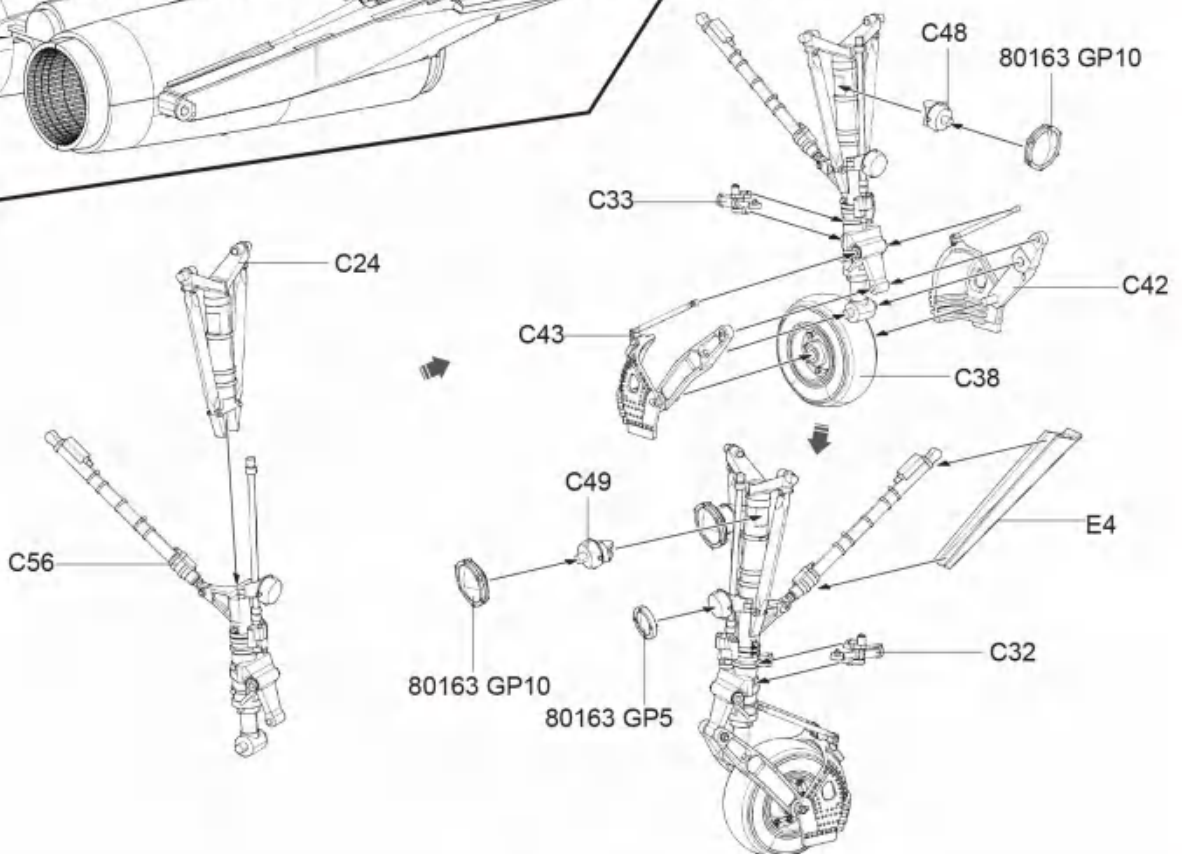
展开模式
OPEN MODE
选择

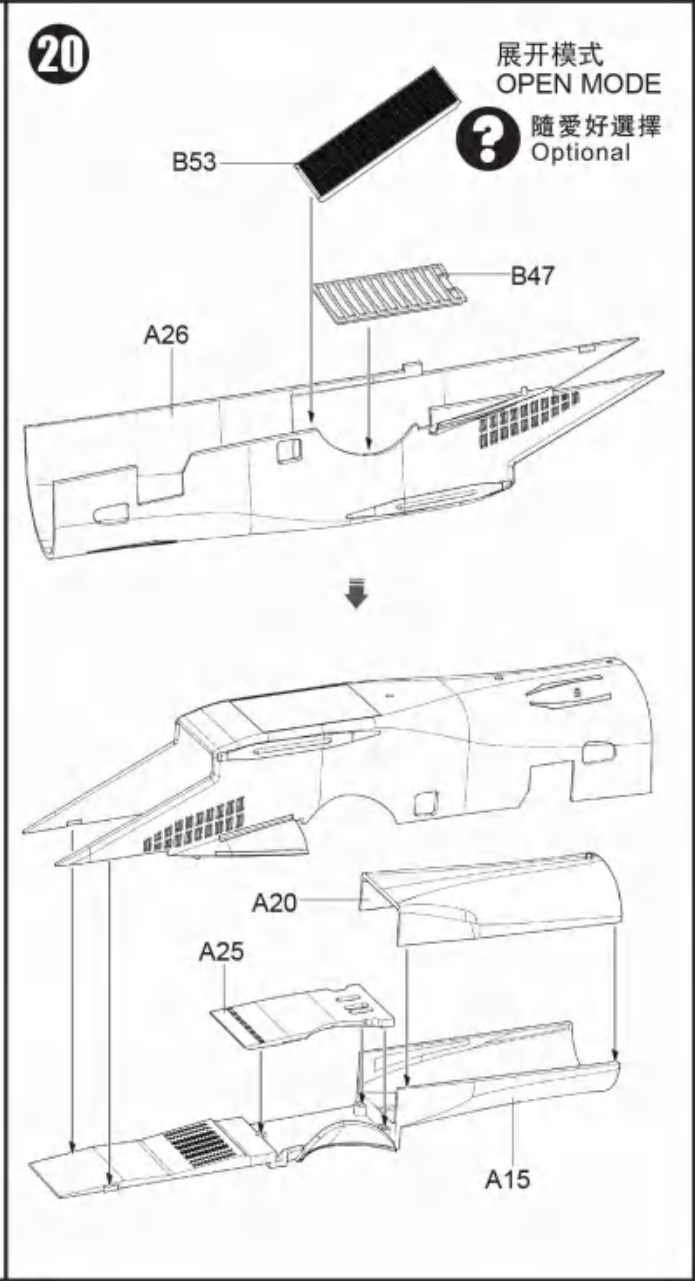
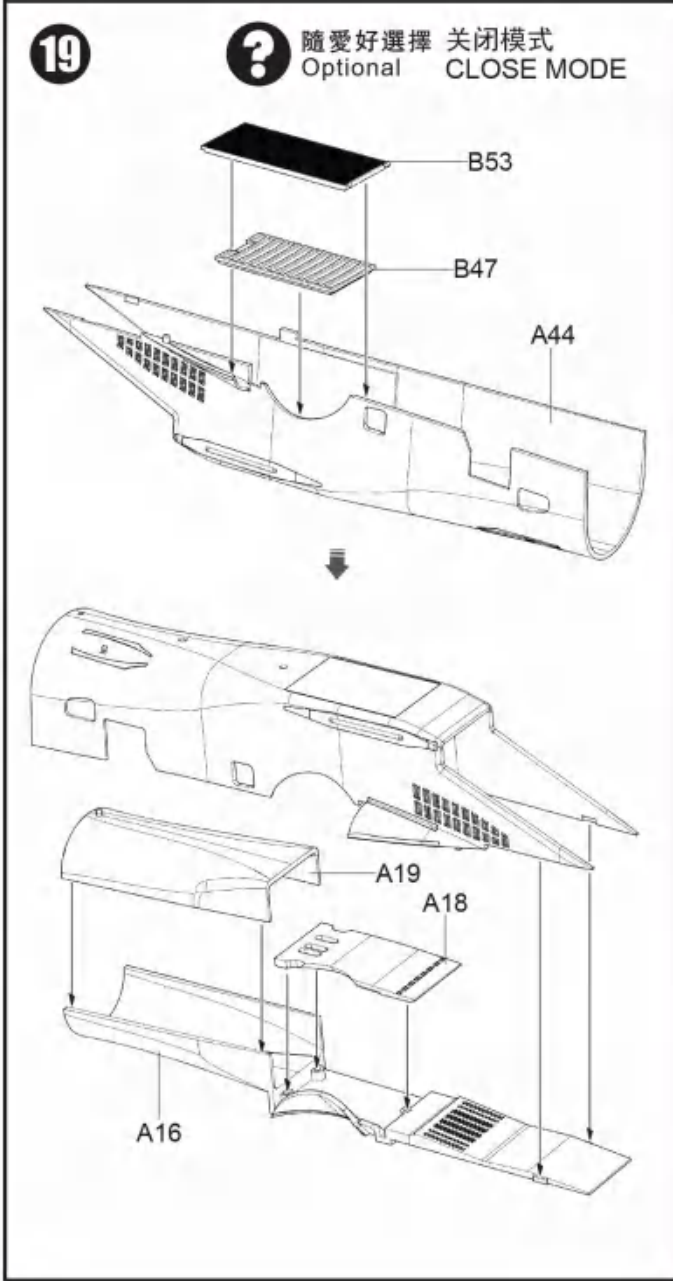
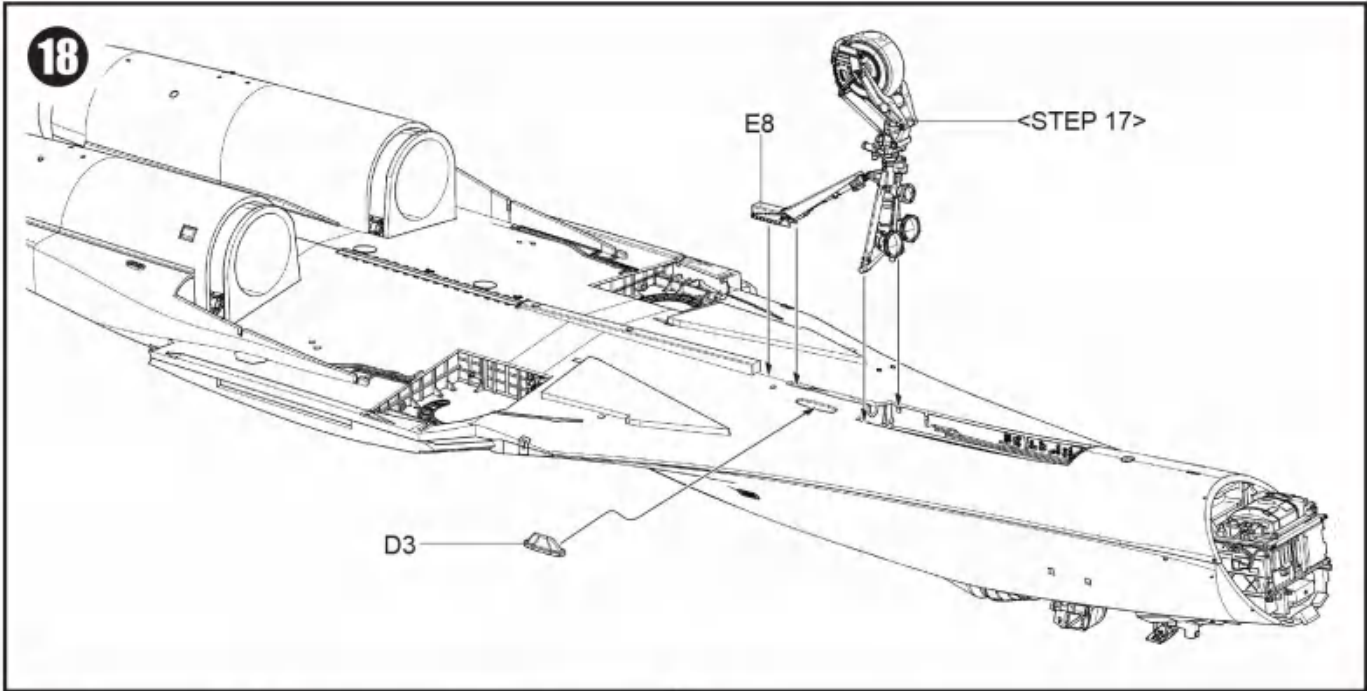
15

关闭模式
CLOSE MODE



17

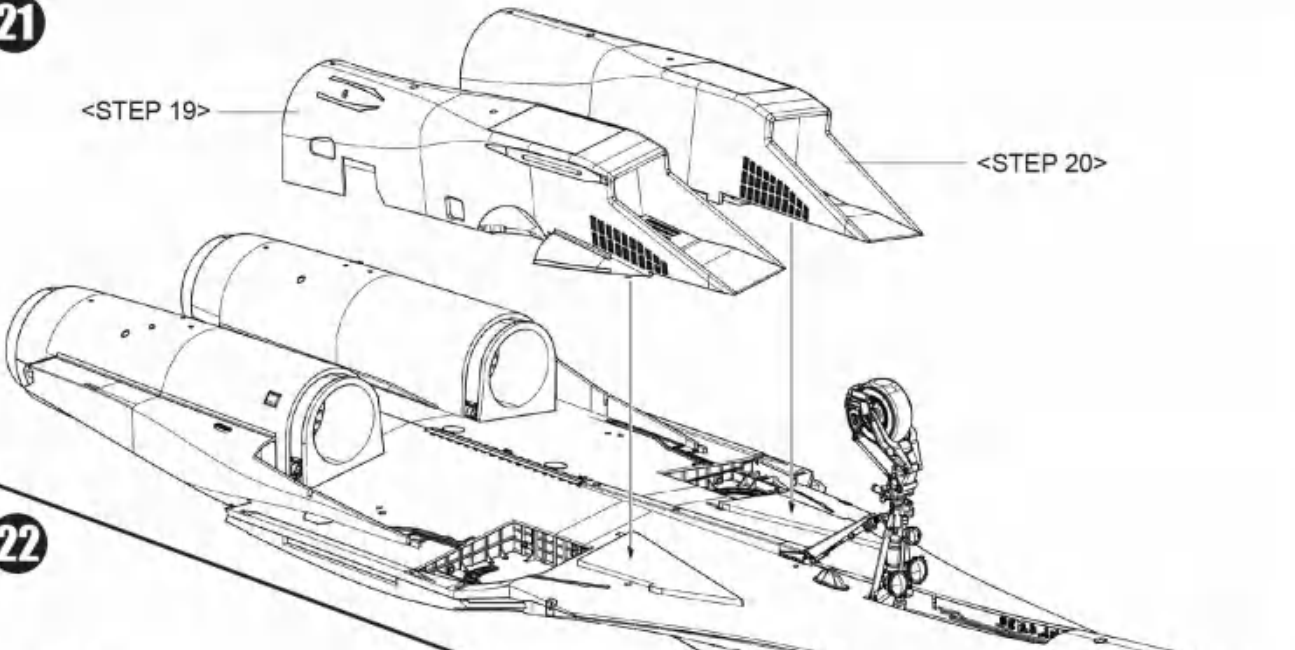




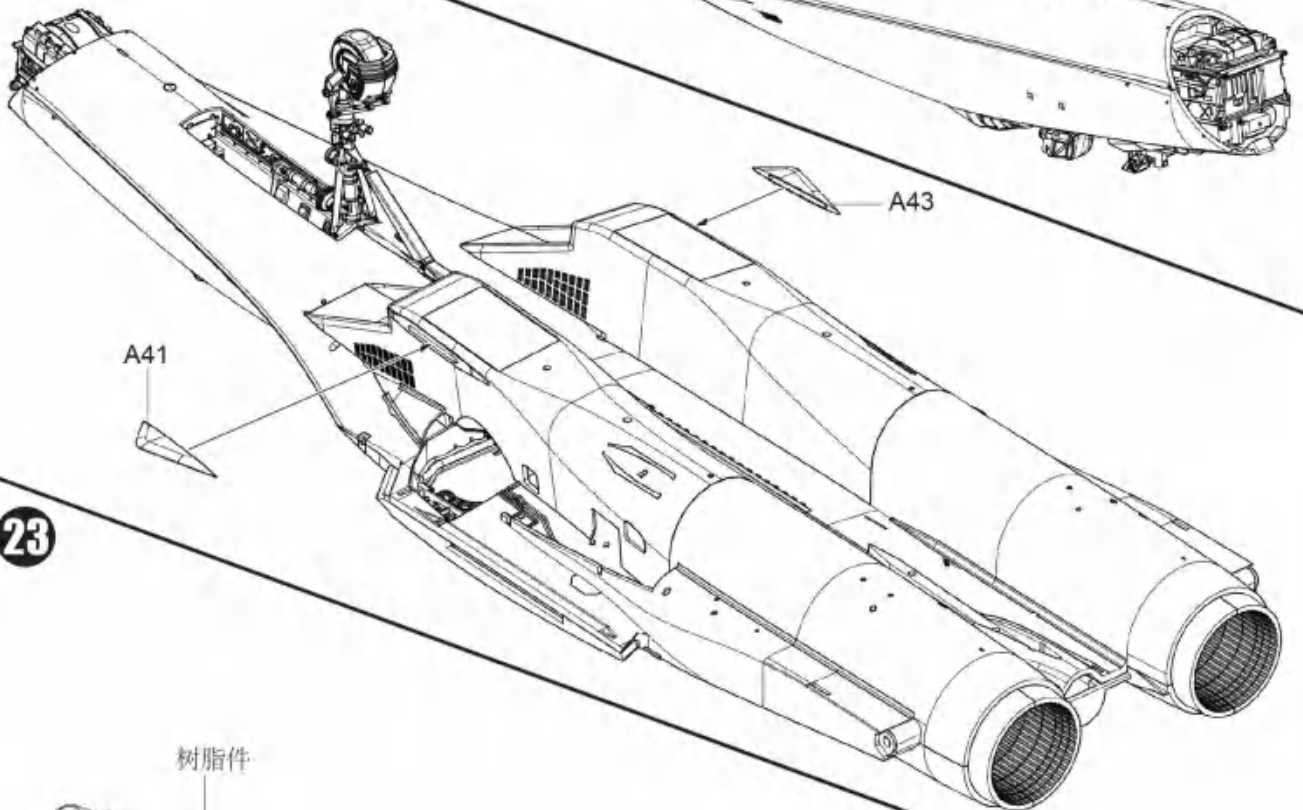
21

<STEP 19>

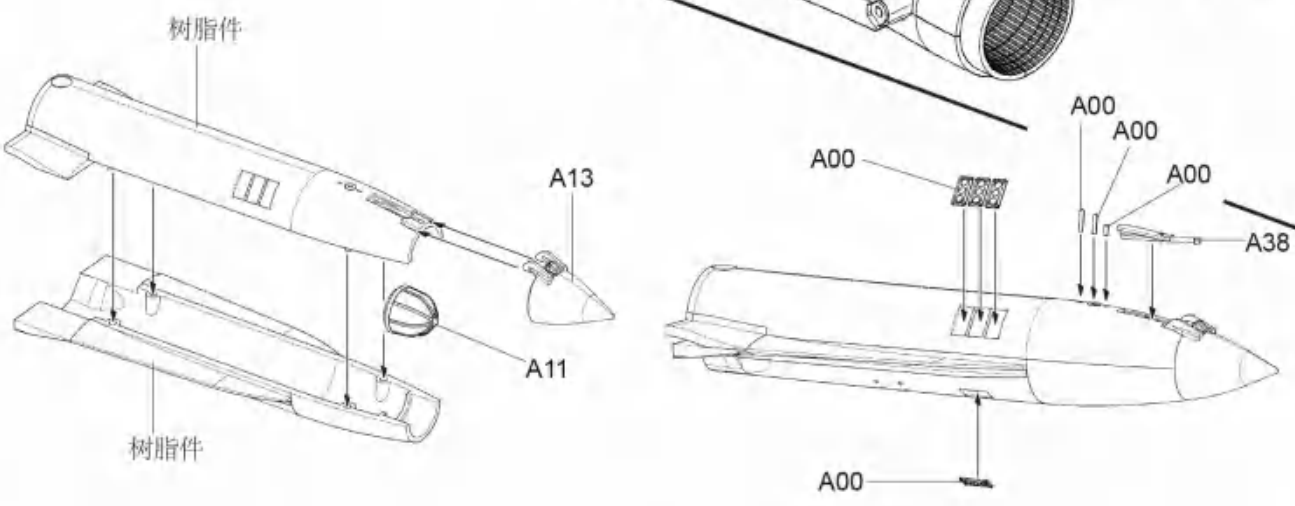
<STEP 20>



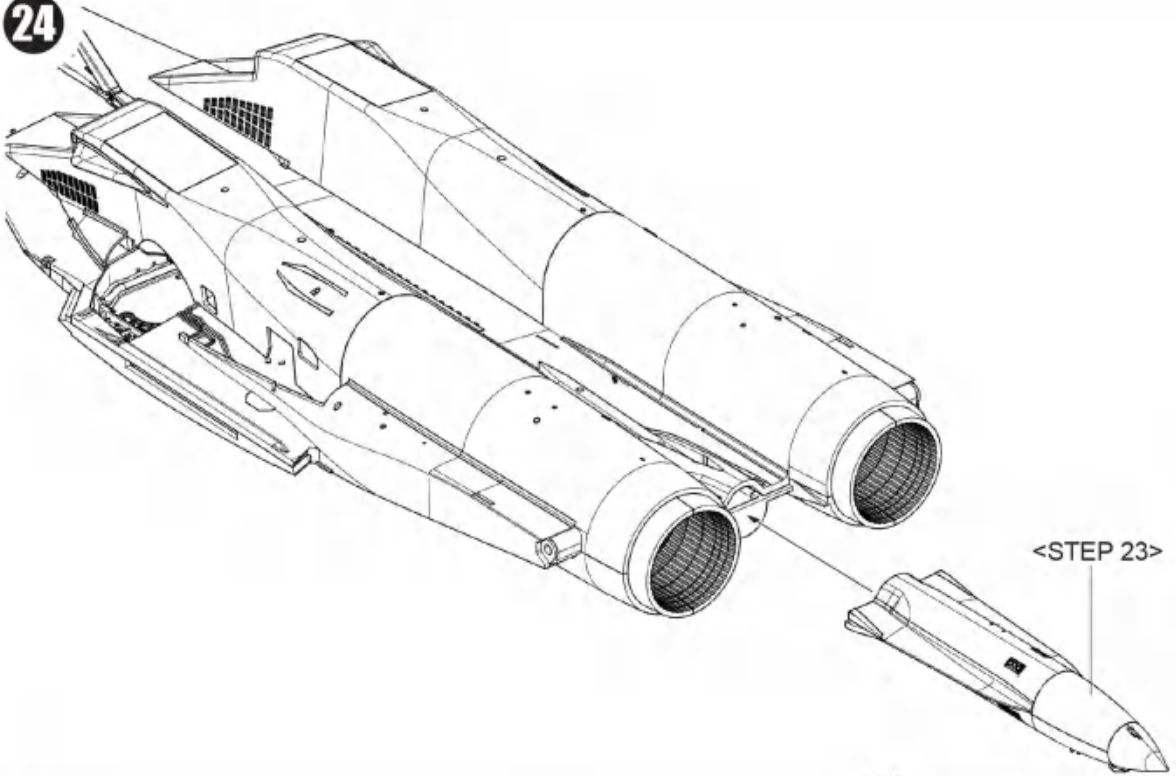
22



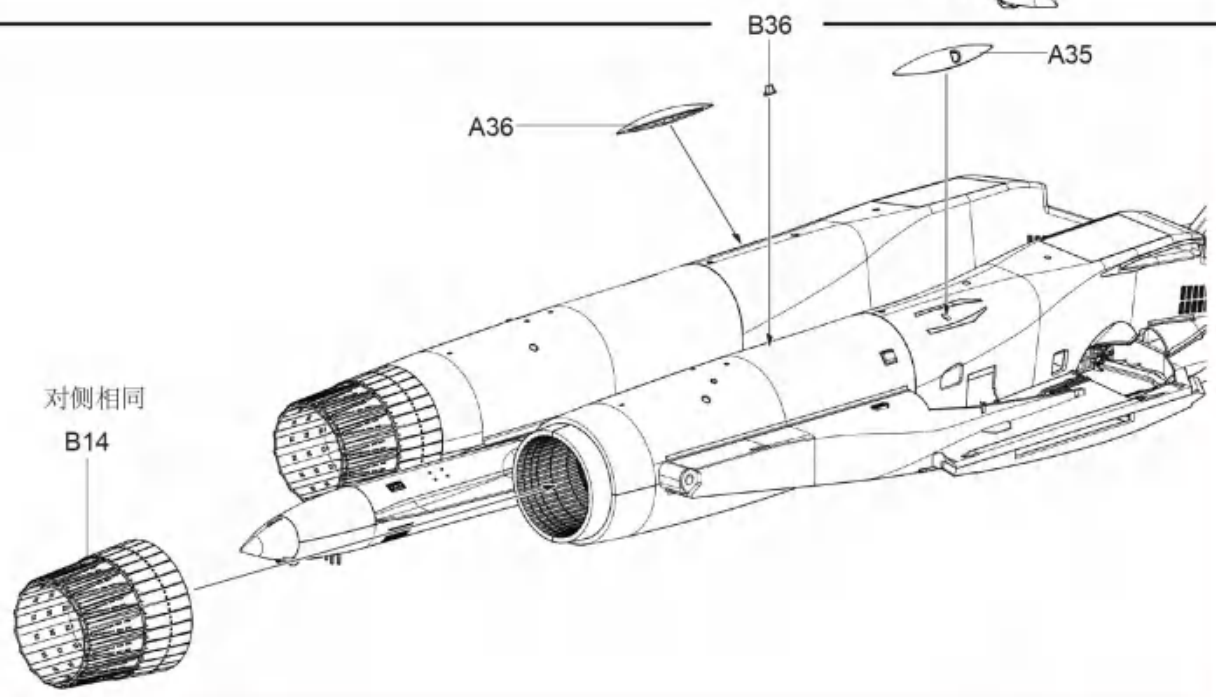
23



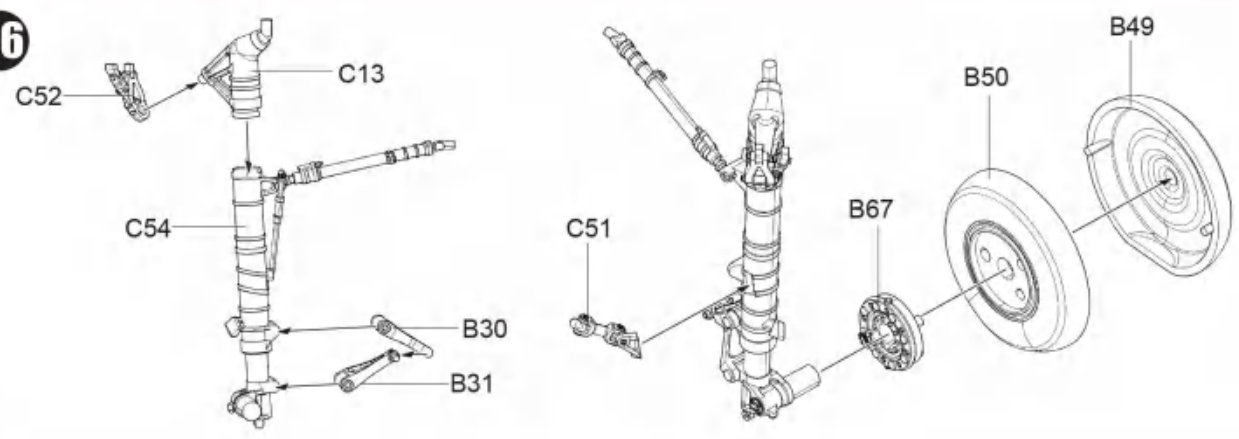
24



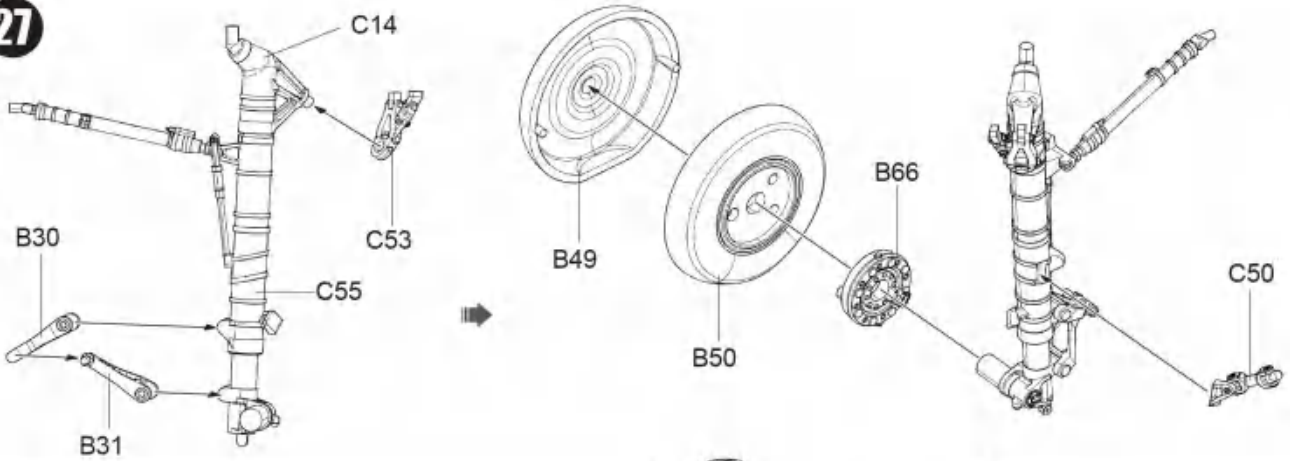
25



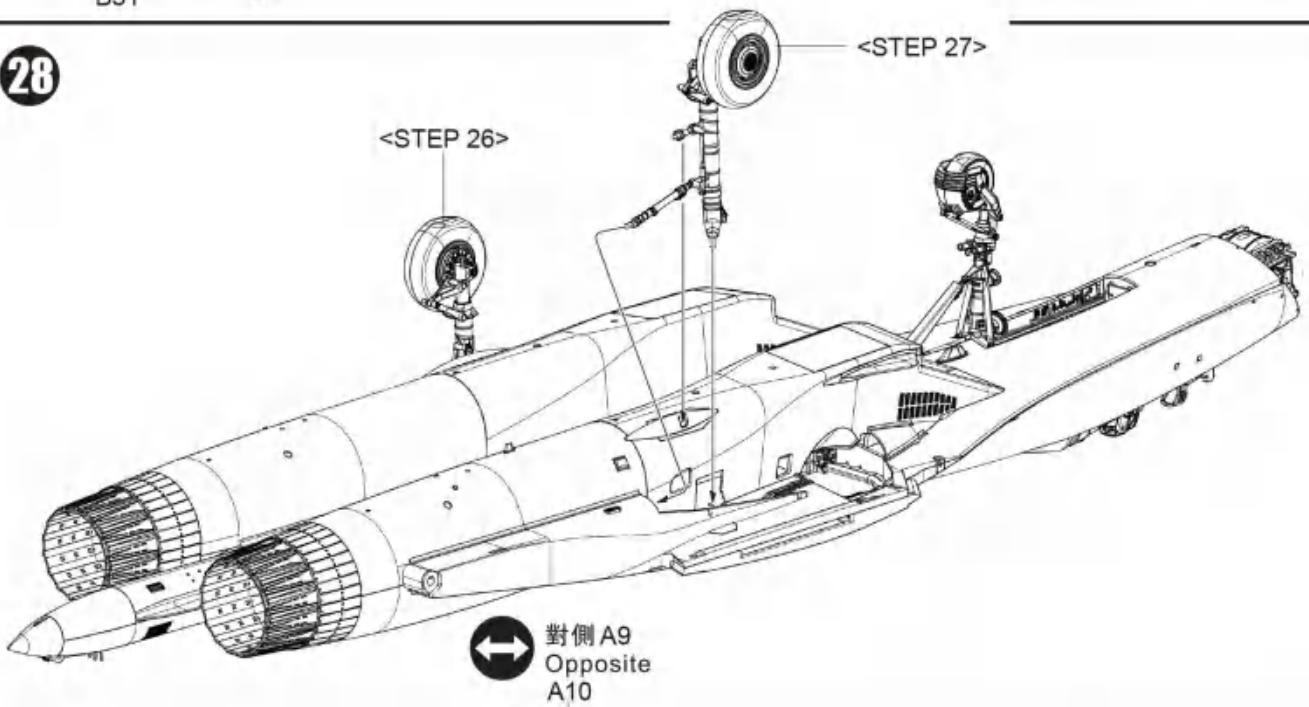
26



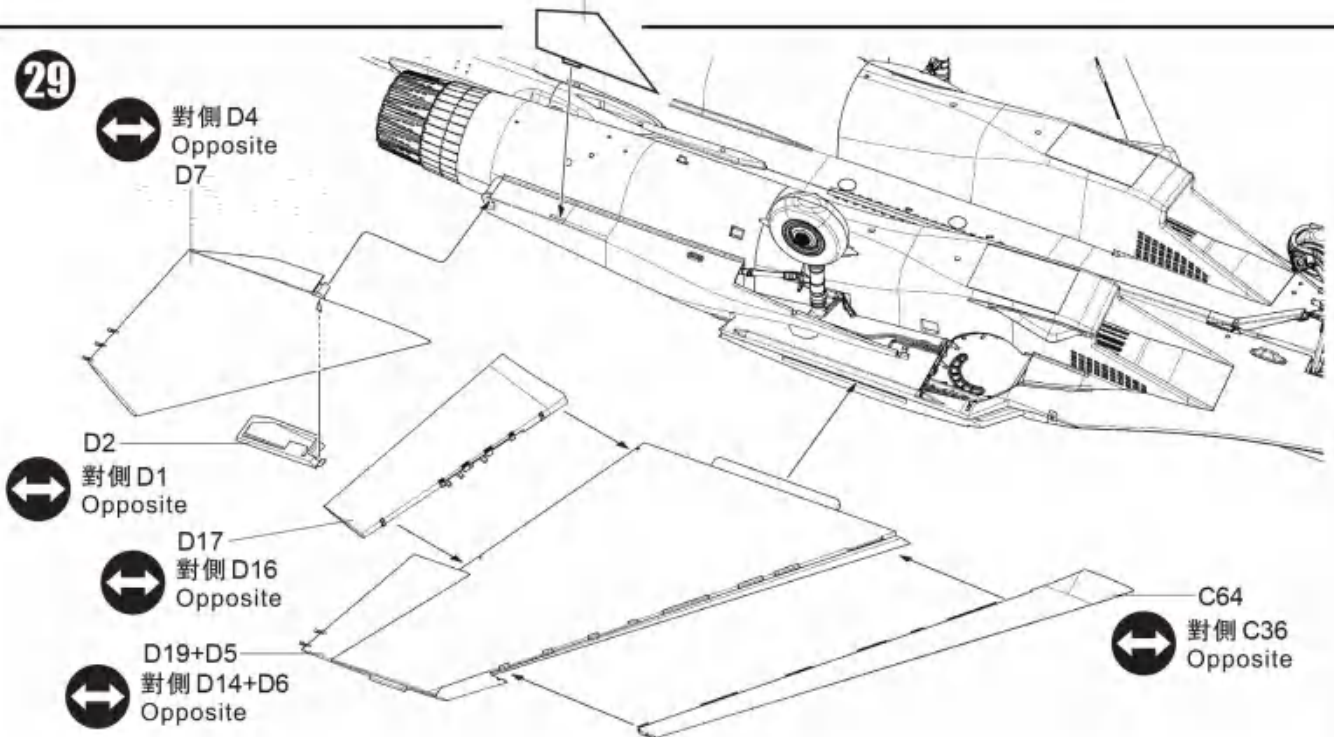
27



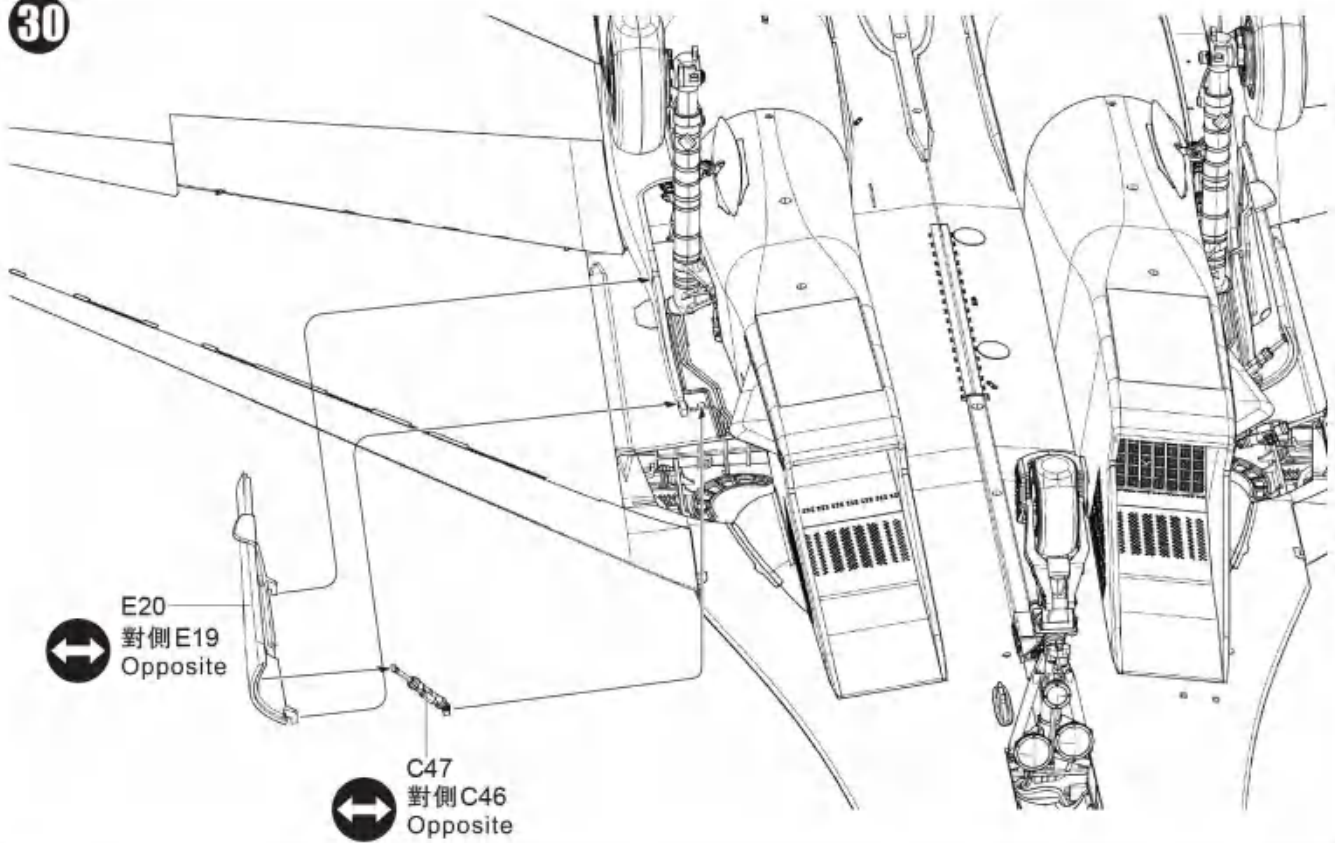
28



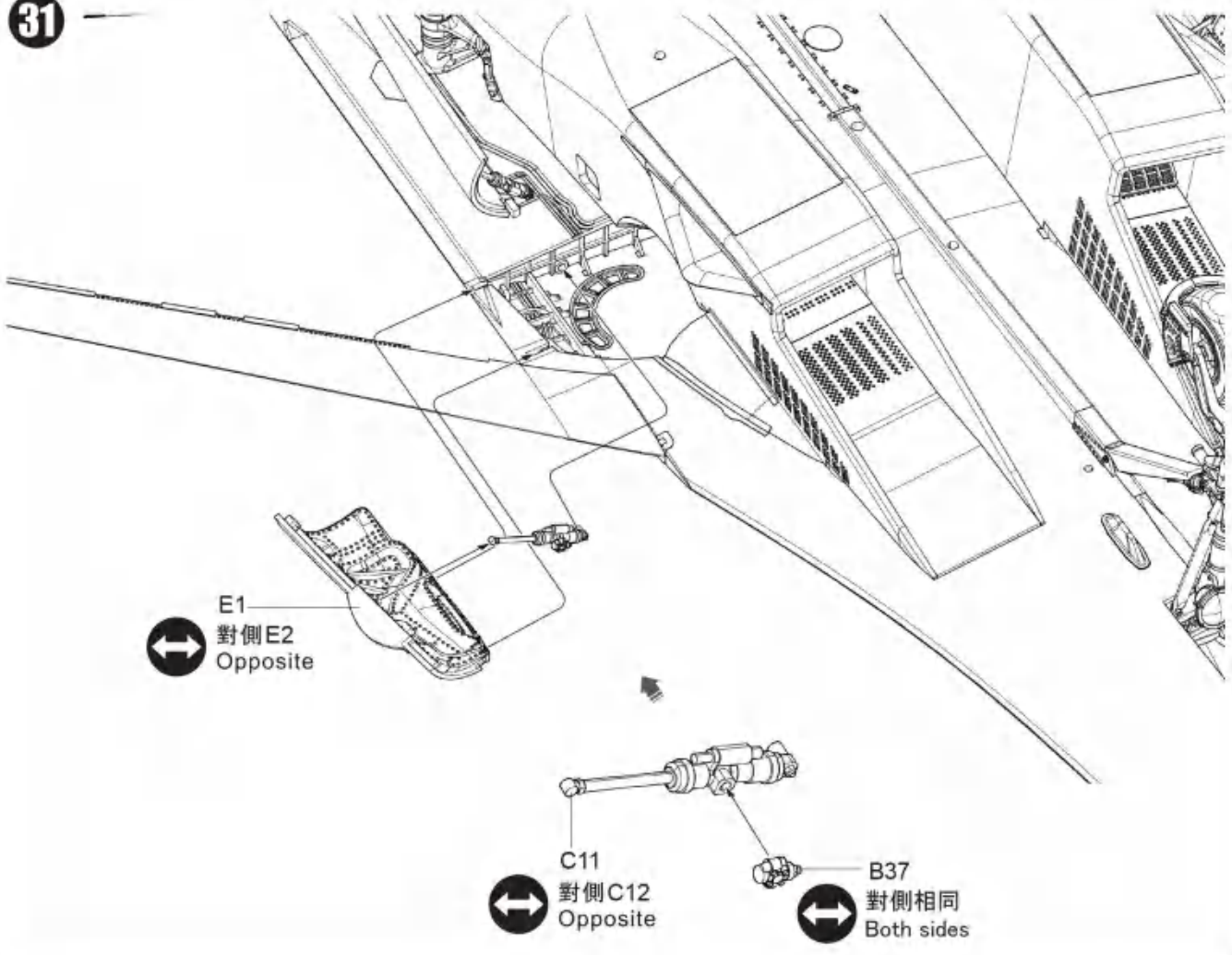
29



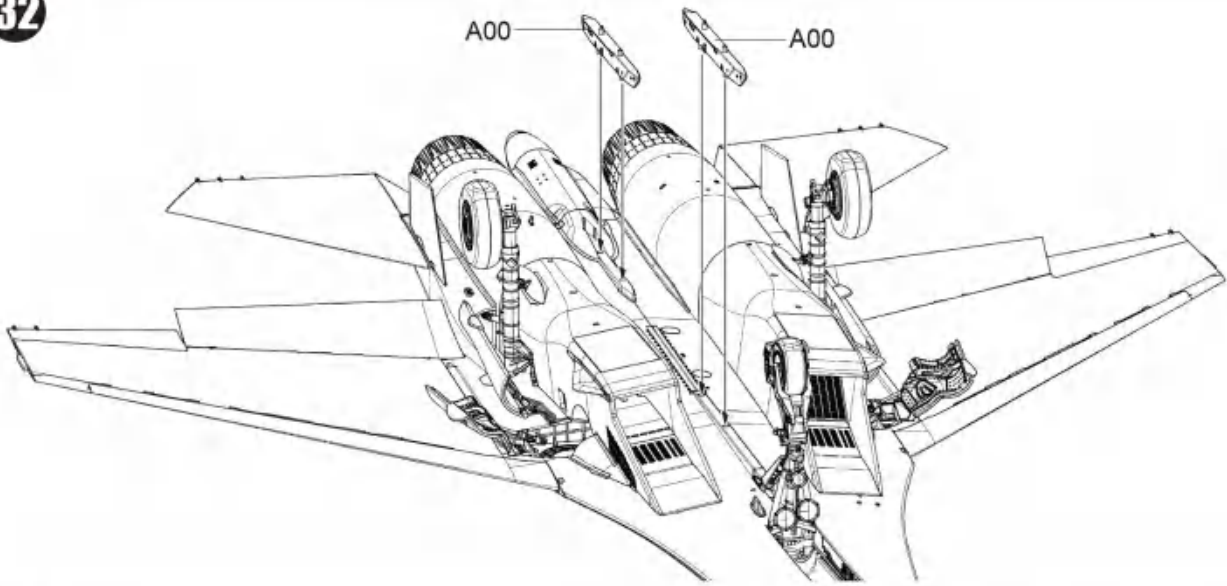
30



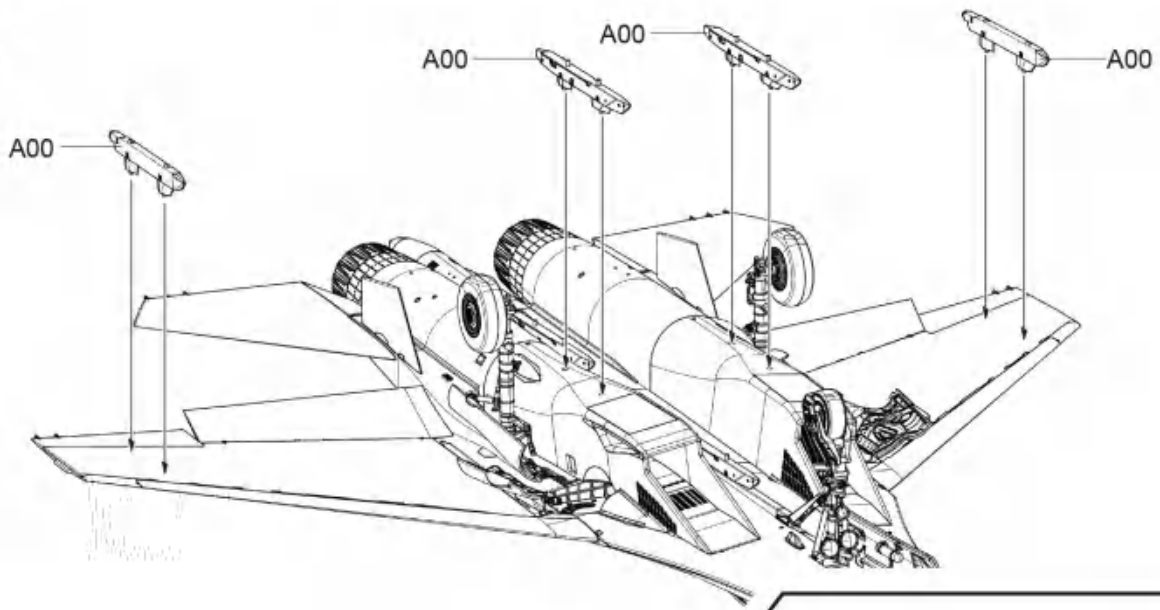
31



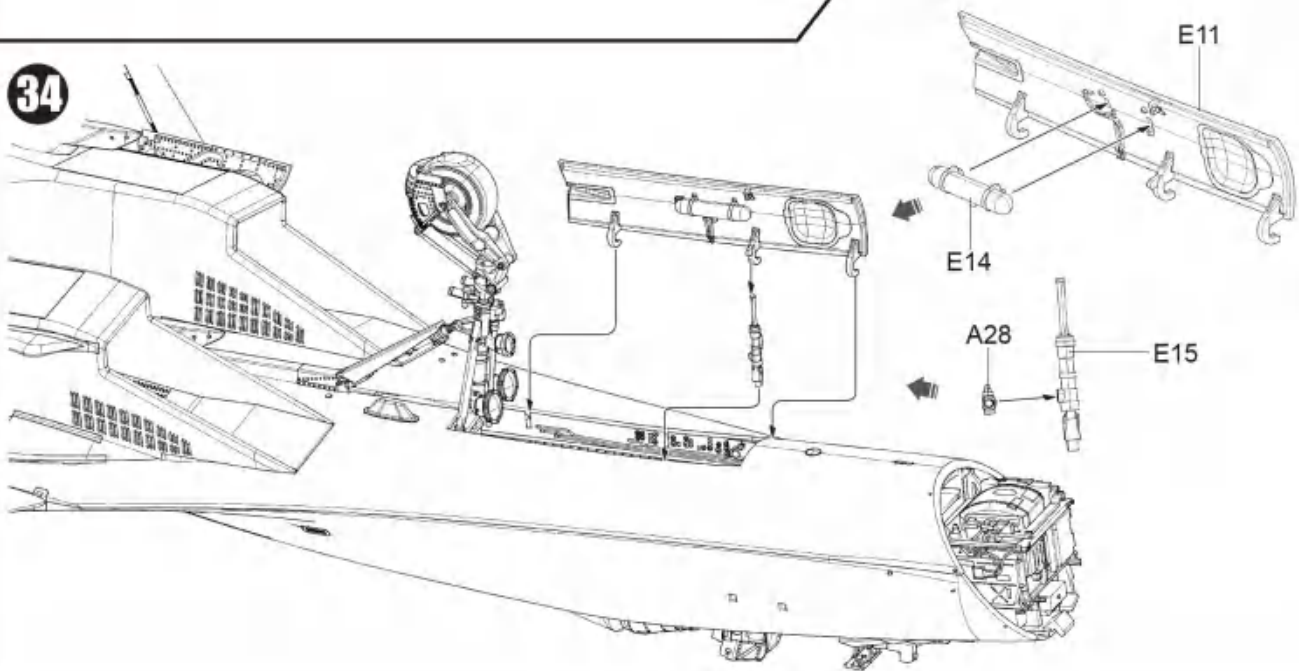
32



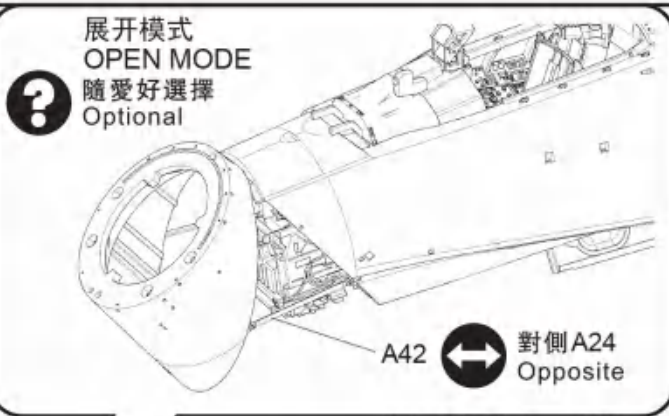
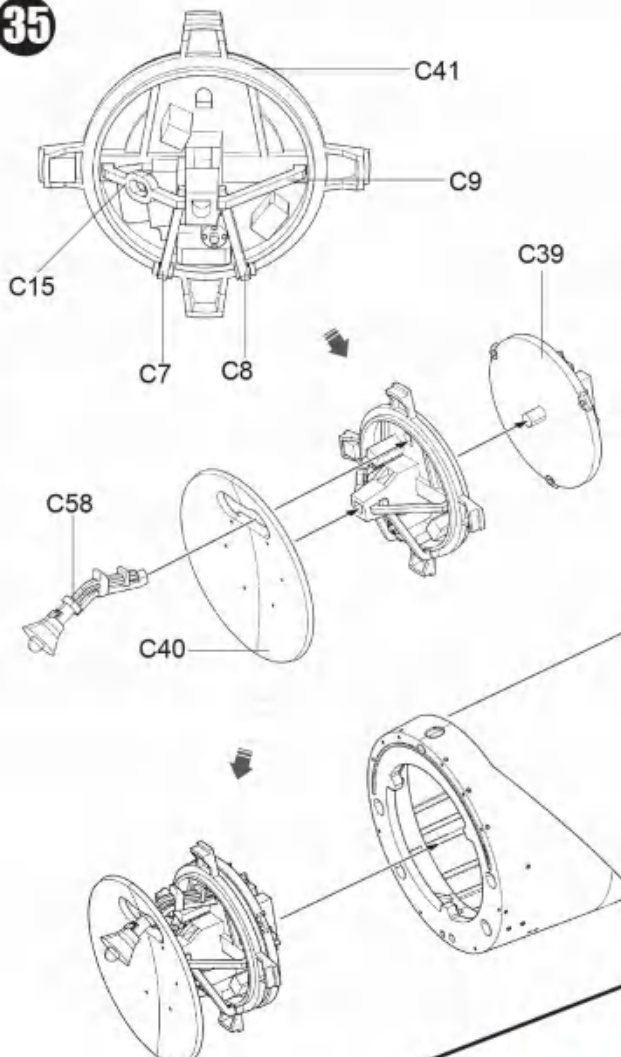
33



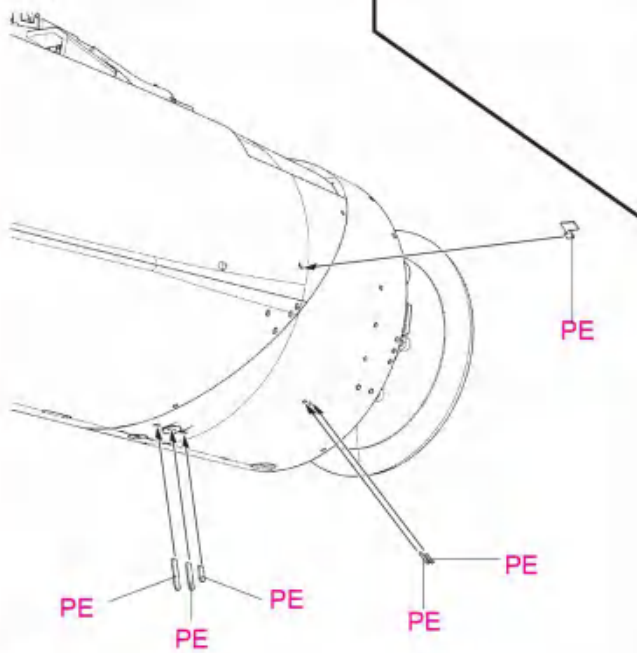
34



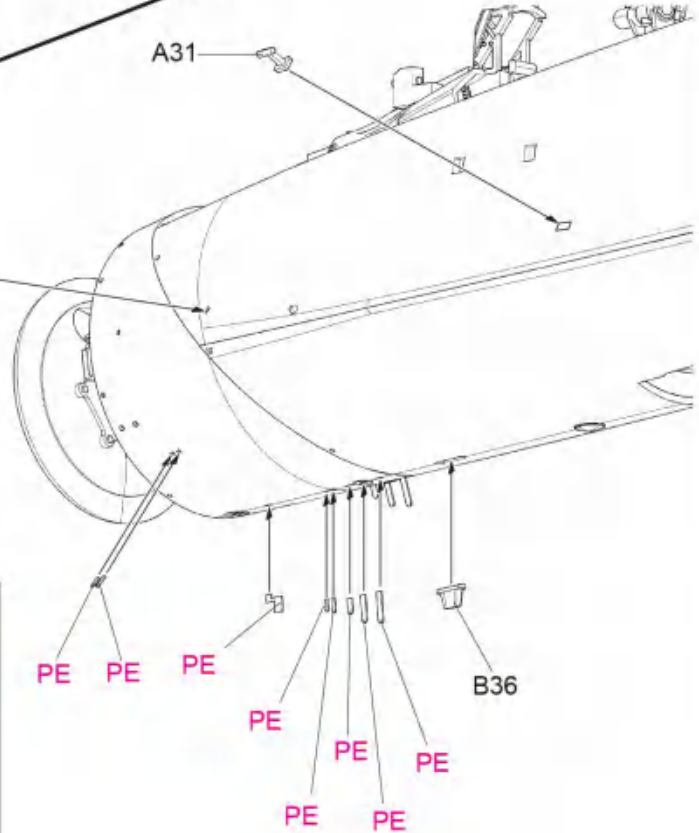
35



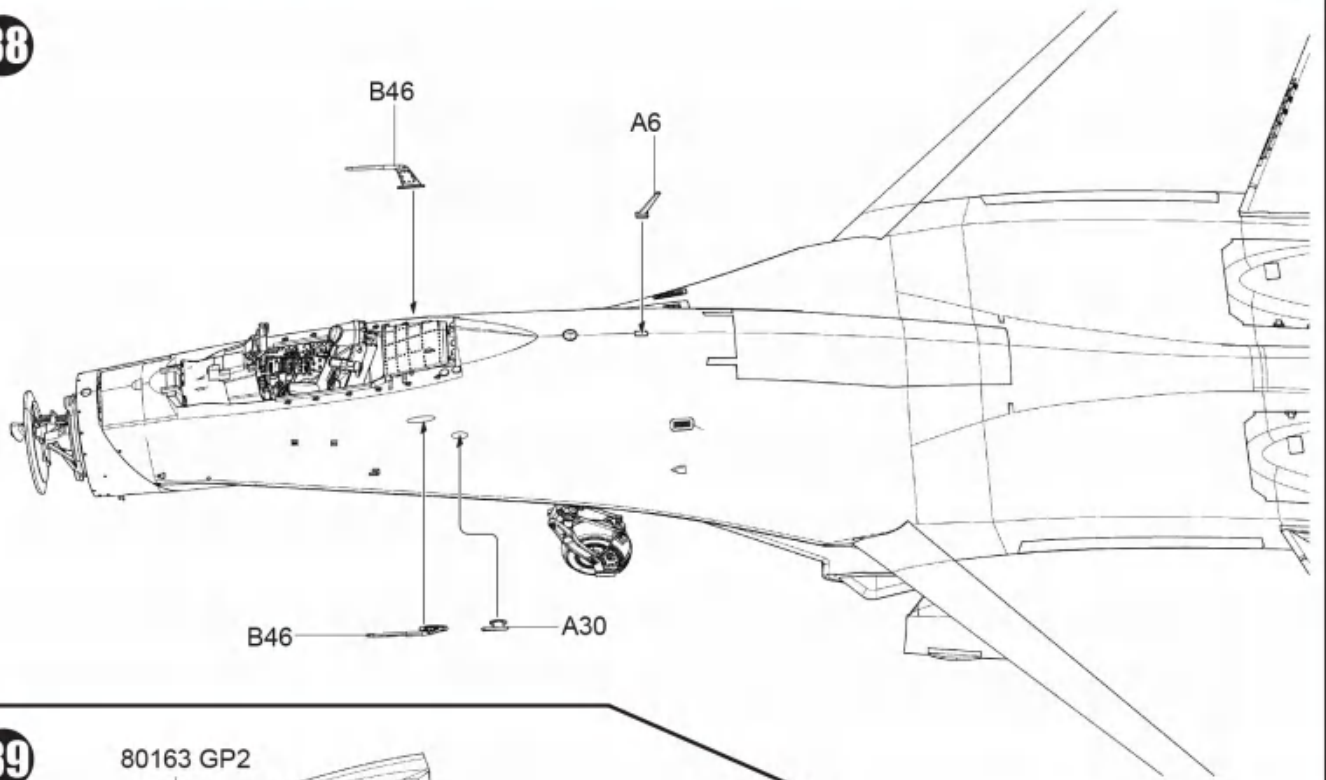
36



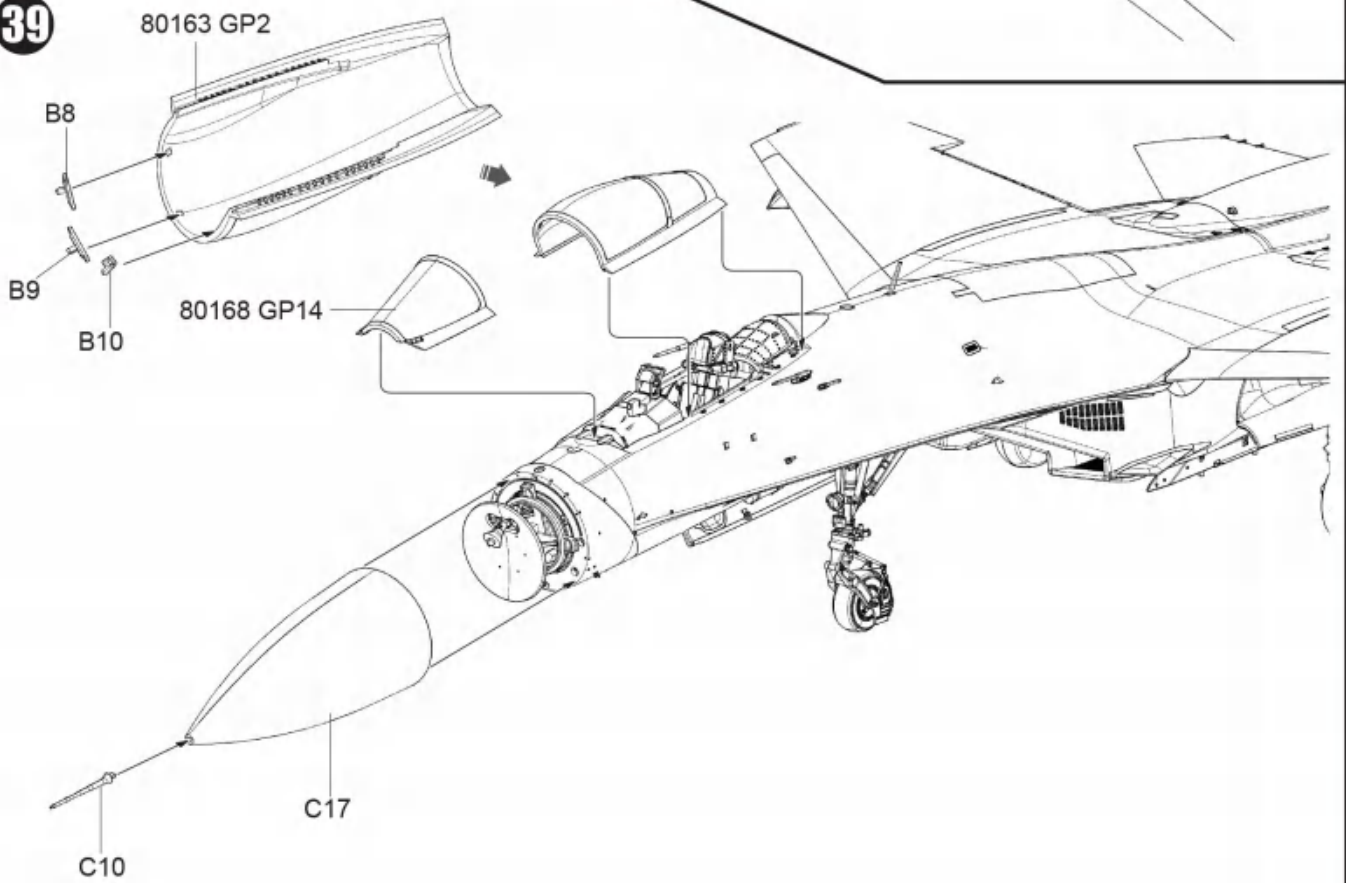
37



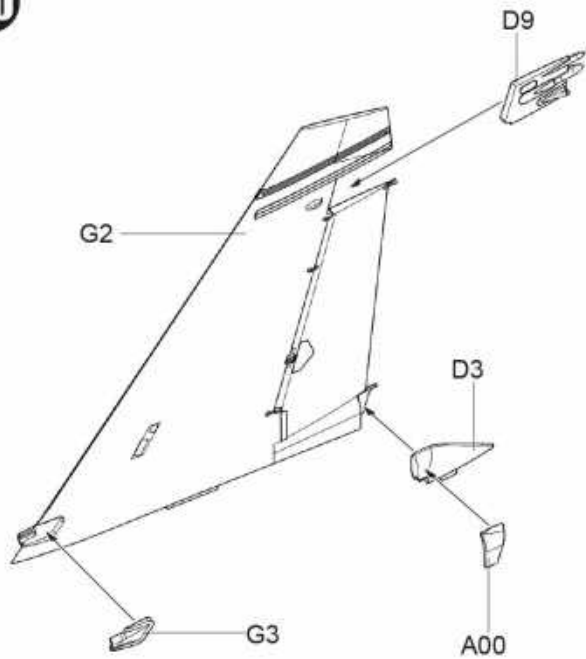
38



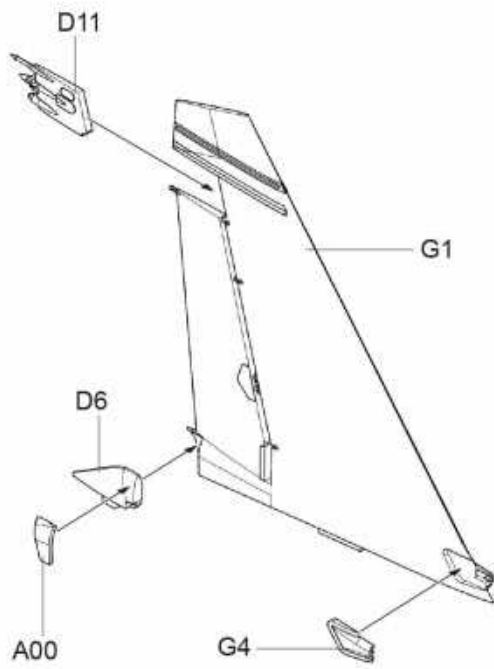
39



40



41



42

